

Installation Instructions

IMPORTANT: SAVE FOR THE LOCAL ELECTRICAL INSPECTOR'S USE

Information is subject to change. Please refer to our website to obtain the most current product specification, technical & warranty information.

KM 2355 G

To prevent accidents
and appliance damage
read these instructions

before
installation or use.

IMPORTANT INSTALLATION SAFETY INSTRUCTIONS

Installation

The minimum distances given in these Installation instructions are to combustible surfaces, and must be observed to ensure safe operation. Failure to do so increases the risk of fire.

The cabinetry and venting hood should be installed first to prevent damage to the cooktop.

- ▶ Gas appliances should only be installed in a well ventilated area.
- ▶ The countertop must be bonded with heat resistant (212°F/100°C) adhesive to prevent distortion or dissolving. Any wall coverings must be heat resistant as well.
- ▶ This appliance must not be used in a non-stationary location (e.g. on a ship).
- ▶ Deep fat fryers must not be installed directly next to gas cooktops. Gas flames can ignite splattering oil. A distance of at least 11 $\frac{3}{4}$ " (300 mm) should be maintained between these two appliances.
- ▶ The cooktop must not be installed over a dishwasher, washer, dryer, refrigerator or freezer. Heat radiated by the cooktop may damage the appliances.
- ▶ Install the appliance so that the power cord or gas piping does not come into contact with any portion of the cooktop which may become hot during use.

▶ The power cord and a flexible gas connection line must be attached in such a way that they are not in contact with moving parts of kitchen elements (e.g. a drawer) and are not subject to mechanical stress.

▶ The safety distances listed on the following pages must be carefully maintained.

▶ Never use a sealant unless expressly stipulated. The sealing tape of the appliance ensures adequate sealing to the countertop.

This appliance must be installed with its own shut off valve and the included gas pressure regulator. Both the valve and the regulator must be easily accessible to the consumer after the appliance is installed.

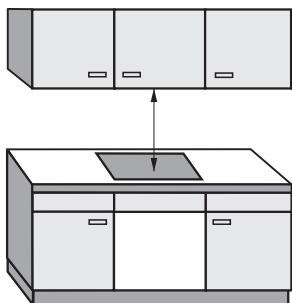
This appliance must be disconnected from the gas supply during any pressure testing of the system performed in excess of $\frac{1}{2}$ psi (3.5 kPa). This appliance must be isolated at test pressures equal to or less than $\frac{1}{2}$ psi (3.5 kPa).

Any pipe connections must be made using a thread sealant approved for gas connections. Failure to correctly install these items could lead to a gas leak and subsequent explosion.

In Massachusetts installation must be performed by a licensed plumber/gas fitter.

IMPORTANT INSTALLATION SAFETY INSTRUCTIONS

Safety distances above the appliance



If there are several appliances beneath a hood, and they have different minimum safety distances always observe the greatest distance.

The minimum safety distance given by the hood manufacturer must be maintained between the cooktop and the hood above it. See the installation instructions of the hood for these safety measurements.

If the hood manufacturers instructions are not available or if flammable objects are installed over the cooktop (e.g. cabinets, utensil rail, etc.), a minimum safety distance of 30" (760 mm) must be maintained.

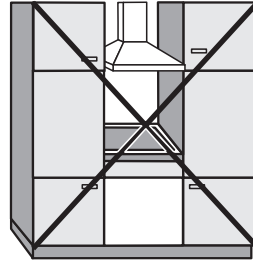
IMPORTANT INSTALLATION SAFETY INSTRUCTIONS

Safety distances

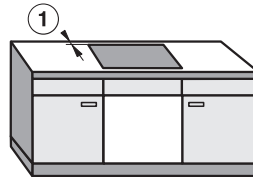
When installing a gas cooktop, there may be cupboard or room walls of any size on the rear side and on one side (right **or** left) (see illustrations).

The following minimum safety distances must be maintained:

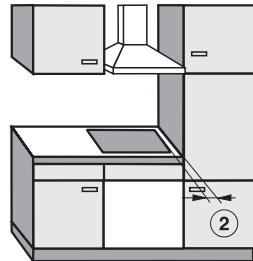
- ① 2" (50 mm) minimum distance at the **rear** of the countertop cutout to the rear edge of the countertop.
- ② 5 7/8" (150 mm) minimum distance to the **right** of the countertop cutout to an adjacent piece of furniture (e. g. tall cabinet) or room wall.
- ③ 5 7/8" (150 mm) minimum distance to the **left** of the countertop cutout to an adjacent piece of furniture (e. g. tall cabinet) or room wall.



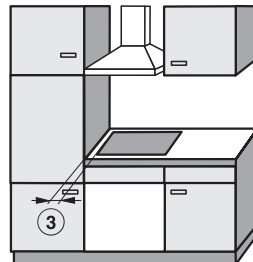
Not allowed



Recommended

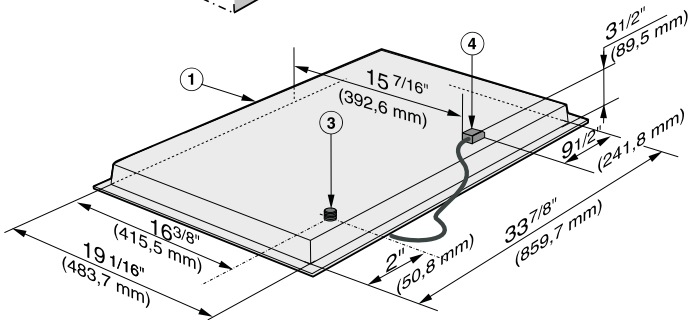
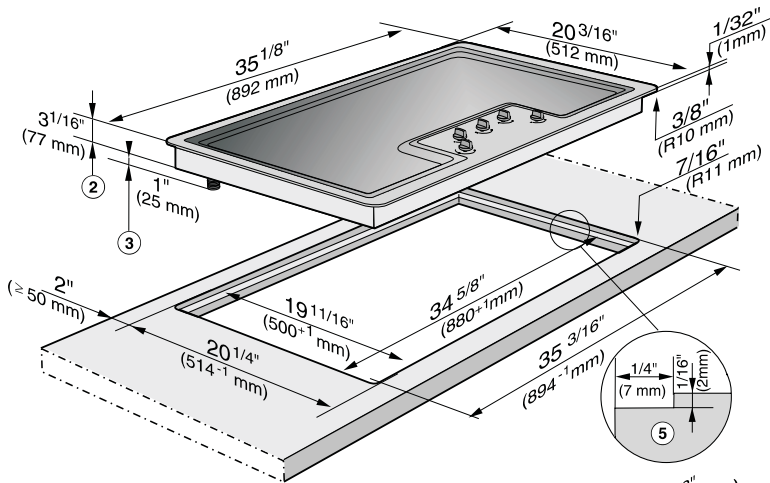


Not recommended



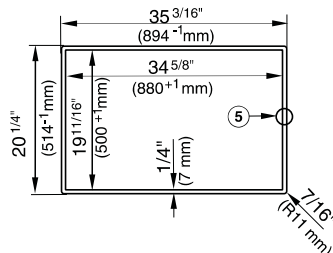
Not recommended

Installation dimensions



- ① Appliance front
- ② Installation height
- ③ Gas connection
- ④ Power supply box with connection cable, L = 4 ft (1.2 m)
- ⑤ Stepped cut-out for granite or marble worktops

Please take careful note of the detailed diagrams for the cut-out dimensions in granite and marble countertops.



Installation

Flush mounted gas cooktops are only suitable for installation in granite, marble, tiled or solid wood countertops.

If installing into a countertop made from any other material, please check first with the countertop manufacturer that it is suitable for installing a flush mounted cooktop.

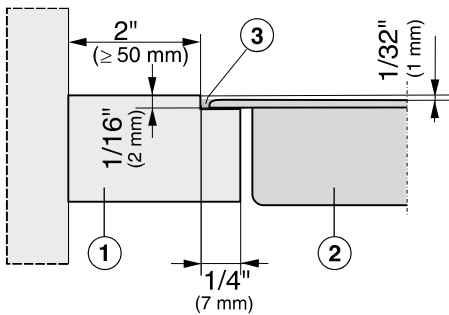
This appliance requires a 36 7/16" (900 mm) wide base unit for installation.

The cooktop must be accessible from below for servicing purposes and to ensure that the seal around it is not dislodged.

The cooktop may be installed:

- in a suitable cut-out in a granite or marble countertop.
- in a suitable cut-out in a tiled or solid wood countertop with a wooden support frame. The frame must be provided on site, and is not supplied with the appliance.

Granite and marble countertops



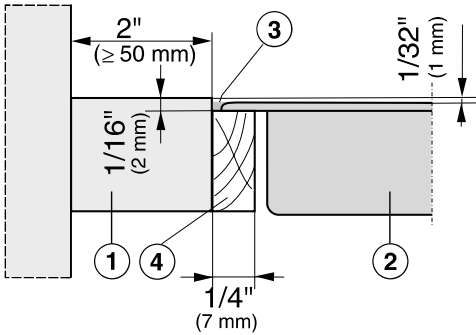
- ① Countertop
- ② Cooktop
- ③ Gap

As the ceramic glass and the countertop cut-out have a certain dimensional tolerances, the size of gap ③ can vary.

- Make the countertop cut-out as shown in "Installation dimensions". Remember to maintain the **minimum safety distances** (see "IMPORTANT INSTALLATION SAFETY INSTRUCTIONS").
- Feed the power cord down through the cut-out.
- Center the cooktop ② in the cut-out.
- Connect the cooktop to the mains (see "Electrical connection").
- Connect the appliance to the gas supply (see "Gas connection").
- Secure the appliance at the back and front using the brackets supplied. See "Securing the appliance".
- Check that the cooktop works.

Installation

Solid wood and tiled worktops



- ① Countertop
- ② Cooktop
- ③ Gap
- ④ Wooden frame 1/4" (7 mm)
(to be provided on site)

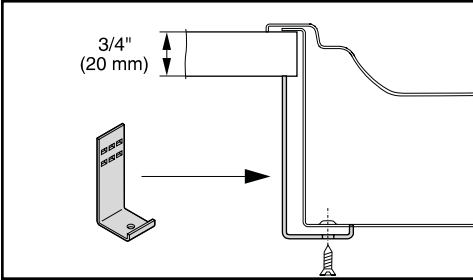
As the ceramic glass and the countertop cut-out have a certain dimensional tolerance, the size of gap ③ can vary.

- Make the countertop cut-out as shown in "Building-in dimensions". Remember to maintain the **minimum safety distances** (see "IMPORTANT INSTALLATION SAFETY INSTRUCTIONS").
- Fix the wooden frame ④ 1/16" (2 mm) below the top edge of the countertop (see diagram).
- Feed the power cord down through the cut-out.
- Center the cooktop ② in the cut-out.
- Connect the cooktop to the mains (see "Electrical connection").
- Connect the appliance to the gas supply (see "Gas connection").
- Secure the appliance at the back and front using the brackets supplied. See "Securing the appliance".
- Check that the cooktop works.

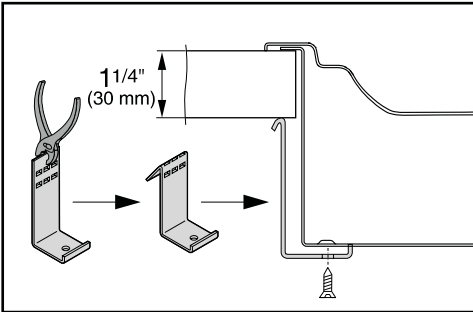
Securing the appliance

Secure the appliance as shown, using the fixing brackets supplied.

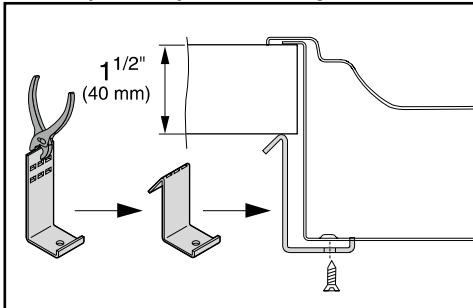
3/4" (20 mm) countertop



1 1/4" (30 mm) countertop



1 1/2" (40 mm) countertop



After installation

Check that all the burners are operating correctly.

The flame must not go out on the lowest setting, or when the control is turned quickly from a high to a low setting.

On the highest setting, the flame must have a distinctive and visible core.

Electrical connection

This appliance must be grounded according to local or national codes.

All electrical work should be performed by a qualified electrician in accordance with local codes and with the:

- National Electrical Code ANSI / NFPA No. 70 for the USA

or

- Canadian Electrical Code Part I for Canada (CSA Standard C 22.1).

This appliance is equipped with a three-prong grounding plug to prevent shock hazards. It should be plugged directly into a properly grounded outlet. Do not cut or remove the grounding prong from the plug. If the plug does not fit the outlet, have the proper outlet installed by a licensed electrician.

To guarantee the electrical safety of this appliance, continuity must exist between the appliance and an effective grounding system. It is imperative that this basic safety requirement be met. If there is any doubt, have the electrical system of the house checked by a qualified electrician.

WARNING

Disconnect the appliance from the main power supply before installation or service. To reduce the risk of electric shock, make sure that the appliance is properly grounded after installation.

Note to the installer

Please leave these instructions with the consumer or the appliance.

Power supply

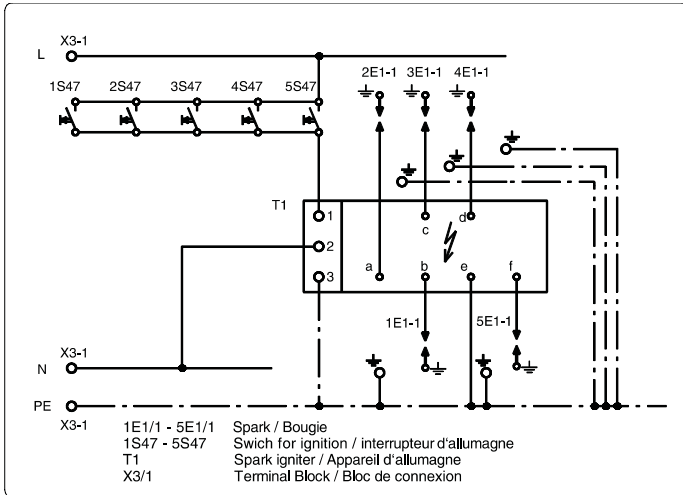
The automatic ignition requires that the appliance be connected to a 120 VAC, 60 Hz power supply. The supply line should be protected by a 15 A fuse.

Actual power consumption (during ignition only) is 25 W.

This appliance is equipped with a 4 ft (1.2 m) long power cord that is ready for connection to the appropriate outlet.

Place the power outlet so that it is accessible after the appliance has been installed in the countertop.

Wiring diagram



⚠ Caution: Label all wires prior to disconnection when servicing controls. Wiring errors can cause improper and dangerous operation. Verify proper operation after servicing.

Gas connection

Installation and service must be performed by a qualified installer, service agency or gas supplier.

In Massachusetts installation must be performed by a licensed plumber/gas fitter.

This appliance must be installed with its own shut off valve and the included gas pressure regulator. Both the valve and the regulator must be easily accessible to the consumer to turn on or shut off the gas supply after the appliance is installed.

This appliance and its individual shut off valve must be disconnected from the gas supply during any pressure testing of that system performed in excess of ½ psi (3.5 kPa). The appliance must be isolated from the gas supply line by closing its individual manual shut off valve at test pressures equal to or less than ½ psi (3.5 kPa).

Any pipe connections must be made using a thread sealant approved for gas connections. Failure to correctly install these items could lead to a gas leak and subsequent explosion.

Leak testing of the appliance shall be conducted according to the manufacturer's instructions.

The gas connection must be made in accordance with local codes or, in the absence of local codes, with

- the National Fuel Gas Code, ANSI Z 21.1 / NFPA 54 for the USA
- or
- the current Can / CGA B 149.1 and .2 Installation Codes for gas burning appliances for Canada.

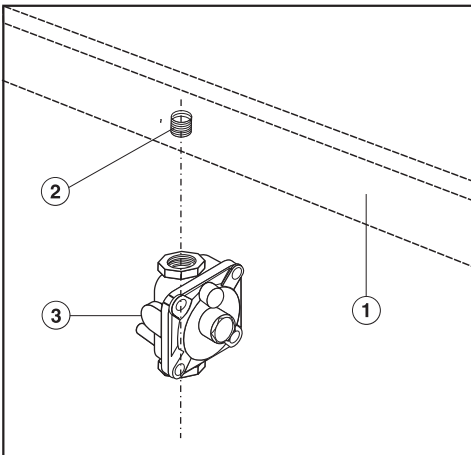
Make sure that the maximum gas supply pressure before the gas pressure regulator is never more than ½ psi for both natural gas or LP gas.

The minimum required gas supply pressure to get the required gas input is
6" w.c. for natural gas
10" w.c. for LP gas.

Gas pressure regulator

A pressure regulator that is convertible from natural to LP gas (Propane) or vice versa is included with the appliance. The included regulator corresponds with the gas type of the appliance. Verify before installing.

The adjusted pressure is:
natural gas - 4" w.c.
LP gas - 10" w.c.



- ① Appliance
- ② 1/2" NPT
- ③ Regulator

As shown in the above diagram, the included regulator **must** be used when connecting the Miele appliance to your gas supply. This item has been customized by Miele to meet all applicable safety requirements. Make sure the regulator is easily accessible for adjustment after the appliance has been installed.

For convenience, an AGA or CGA approved flexible stainless steel gas hose (accordion type) may be used between the gas connection and the regulator. This will allow the appliance to be lifted out of the countertop for cleaning or servicing. Make sure that any drawers, cabinet doors, etc., do not rub on this gas hose.

Do not use any regulator unless it has been supplied by Miele. Doing so may cause a gas leak.

If there is any doubt concerning installation contact the Miele Technical Service Department.

After connecting the appliance check all fittings for gas leaks e.g. with soapy water.

When installed properly, the flame will be steady and quiet. It will also have a sharp, blue inner core that will vary in length proportional to the burner size. Flame adjustment will not be necessary.

Conversion to another type of gas

The appliance should have been ordered for connection to either natural gas or LP gas (propane).

If the appliance is not configured for the proper type of gas connection please contact your Miele Dealer.

If the appliance is to be connected to a type of gas other than it was originally configured for, both the regulator and burners must be converted. A conversion kit is available as an optional accessory from the Miele Technical Service Department.

Burner performance

Rated load at high setting

Burner	Type of gas	KM 2355	
		BTU/hr	kW
Auxiliary burner	Natural gas (NG)	3,900	1.14
	Liquid gas (LP)	3,000	0.88
Normal burner	Natural gas (NG)	5,900	1.73
	Liquid gas (LP)	6,000	1.76
High-speed burner	Natural gas (NG)	9,800	2.87
	Liquid gas (LP)	9,500	2.78
Double-insert super burner	Natural gas (NG)	13,000	3.81
	Liquid gas (LP)	15,000	4.40
Total	Natural gas (NG)	38,500	11.3
	Liquid gas (LP)	39,500	11.6

Rated load at low setting

Burner	Type of gas	KM 2355	
		BTU/h	kW
Auxiliary burner	Natural gas (NG)	1,200	0.35
	Liquid gas (LP)	650	0.19
Normal burner	Natural gas (NG)	1,200	0.35
	Liquid gas (LP)	1,100	0.32
High-speed burner	Natural gas (NG)	1,700	0.50
	Liquid gas (LP)	1,800	0.53
Double-insert super burner	Natural gas (NG)	750	0.22
	Liquid gas (LP)	700	0.21

Help protect our environment

Disposal of packing materials

The cardboard box and packing materials are biodegradable and recyclable. Please recycle.

Ensure that any plastic wrappings, bags, etc. are disposed of safely and kept out of the reach of children.
Danger of suffocation!

Disposal of an old appliance

Old appliances contain materials that can be recycled. Please contact your local recycling authority about the possibility of recycling these materials.

Before discarding an old appliance disconnect it from the electrical supply and cut off the power cord to prevent it from becoming a hazard.

Please have the model and serial number of your appliance available before contacting Technical Service.



U.S.A. Miele, Inc.

National Headquarters

9 Independence Way
Princeton, NJ 08540
Phone: 800-843-7231
609-419-9898
Fax: 609-419-4298
www.mieleusa.com

Technical Service & Support Nationwide

Phone: 800-999-1360
Fax: 888-586-8056

TechnicalService@mieleusa.com

Canada Miele Limited

Headquarters and Showroom

161 Four Valley Drive
Vaughan, ON L4K 4V8
Phone: 800-643-5381
Fax: 905-532-2290
www.miele.ca
professional@miele.ca
(commercial enquiries)

MieleCare National Service

Phone: 800-565-6435
905-532-2272
Fax: 905-532-2292
customercare@miele.ca
(general and technical enquiries)



www.miele-shop.com

KM 2355



en - US

M.-Nr. 09 596 090 / 00

Free Manuals Download Website

<http://myh66.com>

<http://usermanuals.us>

<http://www.somanuals.com>

<http://www.4manuals.cc>

<http://www.manual-lib.com>

<http://www.404manual.com>

<http://www.luxmanual.com>

<http://aubethermostatmanual.com>

Golf course search by state

<http://golfingnear.com>

Email search by domain

<http://emailbydomain.com>

Auto manuals search

<http://auto.somanuals.com>

TV manuals search

<http://tv.somanuals.com>