

REPAIR PARTS MANUAL

MODEL NUMBER **MC550R**

MFG. ID. NO. 96132005300

Rotary Lawn Mower

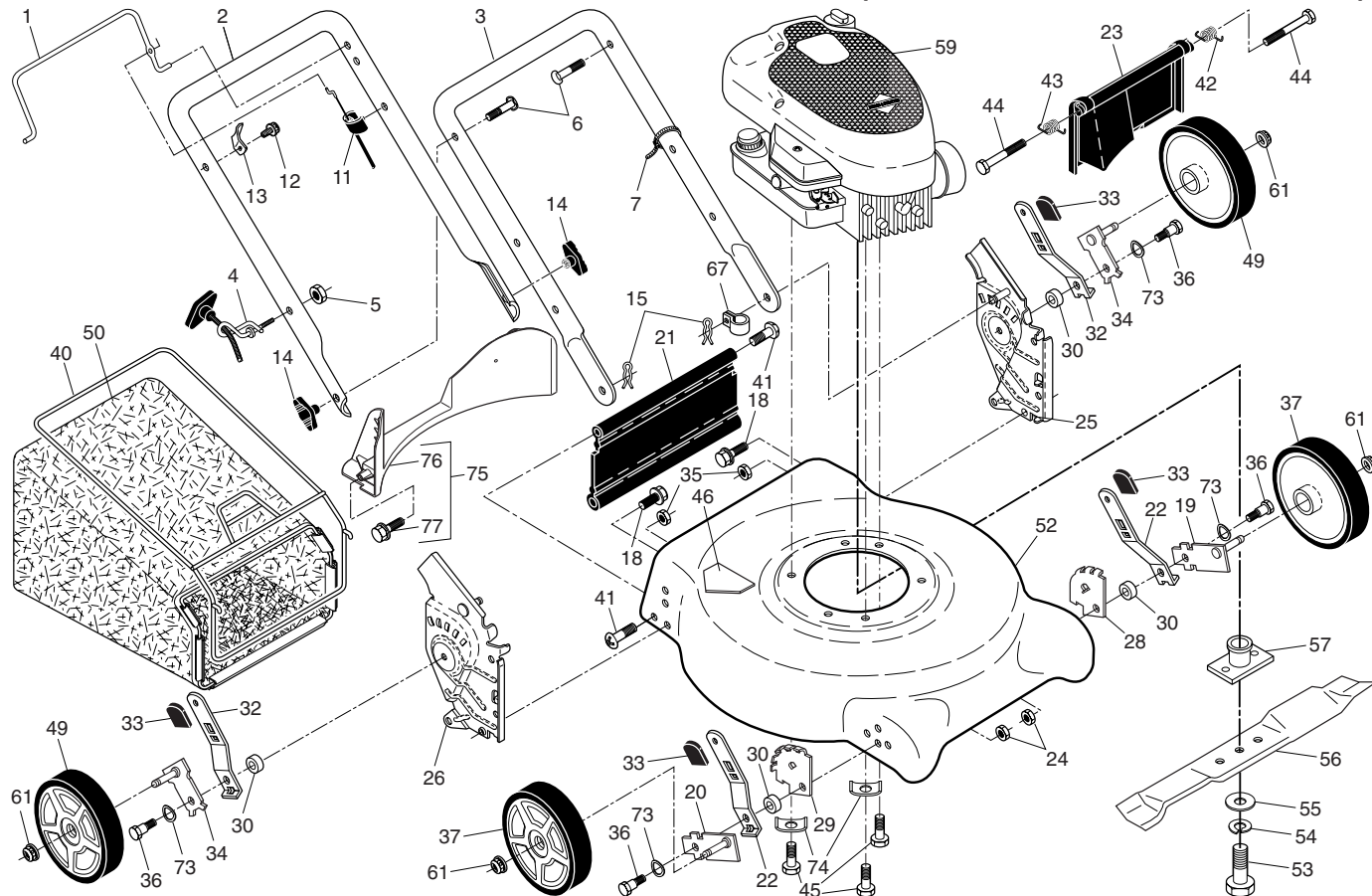
For Parts and Service, contact our authorized distributor: call 1-800-849-1297
For Technical Assistance: call 1-800-829-5886



McCULLOCH

ROTARY LAWN MOWER - - MODEL NUMBER MC55R (MFG. ID. NUMBER 96132005300)

2



ROTARY LAWN MOWER - - MODEL NUMBER **MC55R** (MFG. ID. NUMBER 96132005300)

KEY NO.	PART NO.	DESCRIPTION	KEY NO.	PART NO.	DESCRIPTION	KEY NO.	PART NO.	DESCRIPTION
1	194177X428	Control Bar	28	407499X005	Wheel Adjusting Bracket, Front, LH	53	851084	Hex Head Screw 3/8-24 x 1-3/8 Grade 8
2	194179X479	Upper Handle	29	407500X005	Wheel Adjusting Bracket, Front, RH	54	850263	Helical Lockwasher
3	169708X479	Lower Handle	30	401629	Spacer	55	851074	Hardened Washer
4	194788	Rope Guide	32	401623X004	Selector Spring, Rear	56	406712	21" Blade
5	132004	Nut, Hex	33	701037	Selector Knob	57	851514	Blade Adapter
6	191574	Handle Bolt	34	401173X004	Axle Arm Assembly, Rear, LH	59	- - -	Engine, Briggs & Stratton, Model Number 10T802-1098-ED (For engine service and replacement parts, call Briggs & Stratton at 1-800-233-3723)
7	66426	Wire Tie	35	73930500	Locknut, Hex 5/16-18			
11	176556	Cable, Engine Zone Control	36	401638	Shoulder Bolt 5/16-18			
12	750634	Hex Washer Head Screw	37	193931X421	Wheel & Tire Assembly, Front 7 x 1-3/4	61	409148	Flanged Locknut, Hex
13	429930X004	Up-Stop Bracket	40	411949	Frame, Grassbag	67	197991	Clip, Cable
14	189713X428	Knob, Handle	41	88652	Hinge Screw	73	401630	Washer, Curved, Cylindrical
15	51793	Hairpin Cotter	42	405421	Spring, Rear Door, LH	74	851201X004	Washer, Special, Engine Kit, Rear Baffle (Includes 3 Screws)
3 18	17600406	Screw	43	405423	Spring, Rear Door, RH	75	413693	Baffle, Rear
19	401174X004	Axle Arm Assembly, Front, LH	44	184193	Bolt, Rear Door	76	410589	Screw, Rear Baffle
20	401175X004	Axle Arm Assembly, Front, RH	45	150406	Hex Head Thread Rolling Screw 3/8-16 x 1	77	17411312	Warning Decal (not shown)
21	418655	Kit, Rear Skirt	46	404763	Danger Decal	--	404764	Operator's Manual, English
22	401621X004	Selector Spring, Front	49	193905X421	Wheel & Tire Assembly, Rear 8 x 1-3/4	--	193732	Operator's Manual, French
23	401814X428	Rear Door Assembly	50	402024	Grassbag	--	193734	Repair Parts Manual, English
24	426589	Nut, Hex 5/16-18	52	424110	Kit, Mower Housing (Includes Key Number 46)		435223	
25	410387X479	Handle Bracket Assembly, LH						
26	410388X479	Handle Bracket Assembly, RH						

NOTE: All component dimensions given in U.S. inches. 1 inch = 25.4 mm.

IMPORTANT: Use only Original Equipment Manufacturer (O.E.M.) replacement parts. Failure to do so could be hazardous, damage your lawn mower and void your warranty.

LIMITED WARRANTY

The Manufacturer warrants to the original consumer purchaser that this product as manufactured is free from defects in materials and workmanship. For a period of two (2) years from date of purchase by the original consumer purchaser, we will repair or replace, at our option, without charge for parts or labor incurred in replacing parts, any part which we find to be defective due to materials or workmanship. This Warranty is subject to the following limitations and exclusions.

1. This warranty does not apply to the engine, transaxle/transmission components, battery (except as noted below) or components parts thereof. Please refer to the applicable manufacturer's warranty on these items.
2. Transportation charges for the movement of any power equipment unit or attachment are the responsibility of the purchaser. Transportation charges for any parts submitted for replacement under this warranty must be paid by the purchaser unless such return is requested by the manufacturer.
3. Battery Warranty: On products equipped with a Battery, we will replace, without charge to you, any battery which we find to be defective in manufacture, during the first ninety (90) days of ownership. After ninety (90) days, we will exchange the Battery, charging you 1/12 of the price of a new Battery for each full month from the date of the original sale. Battery must be maintained in accordance with the instructions furnished.
4. The Warranty period for any products used for rental or commercial purposes is limited to 45 days from the date of original purchase.
5. This Warranty applies only to products which have been properly assembled, adjusted, operated, and maintained in accordance with the instructions furnished. This Warranty does not apply to any product which has been subjected to alteration, misuse, abuse, improper assembly or installation, delivery damage, or to normal wear of the product.
6. Exclusions: Excluded from this Warranty are belts, blades, blade adapters, normal wear, normal adjustments, standard hardware and normal maintenance.
7. In the event you have a claim under this Warranty, you must return the product to an authorized service dealer.

Should you have any unanswered questions concerning this Warranty, contact:

HOP
Customer Service Department
1030 Stevens Creek Road
Augusta, GA 30907 USA

In Canada contact:
HOP
Customer Service Department
5855 Terry Fox Way
Mississauga, Ontario L5V 3E4

giving the model number, serial number and date of purchase of your product and the name and address of the authorized dealer from whom it was purchased.

THIS WARRANTY DOES NOT APPLY TO INCIDENTAL OR CONSEQUENTIAL DAMAGES AND ANY IMPLIED WARRANTIES ARE LIMITED TO THE SAME TIME PERIODS STATED HEREIN FOR OUR EXPRESSED WARRANTIES.

Some areas do not allow the limitation of consequential damages or limitations of how long an implied Warranty may last, so the above limitations or exclusions may not apply to you. This Warranty gives you specific legal rights, and you may have other rights which vary from locale to locale.

This is a limited Warranty within the meaning of that term as defined in the Magnuson-Moss Act of 1975.



Free Manuals Download Website

<http://myh66.com>

<http://usermanuals.us>

<http://www.somanuals.com>

<http://www.4manuals.cc>

<http://www.manual-lib.com>

<http://www.404manual.com>

<http://www.luxmanual.com>

<http://aubethermostatmanual.com>

Golf course search by state

<http://golfingnear.com>

Email search by domain

<http://emailbydomain.com>

Auto manuals search

<http://auto.somanuals.com>

TV manuals search

<http://tv.somanuals.com>