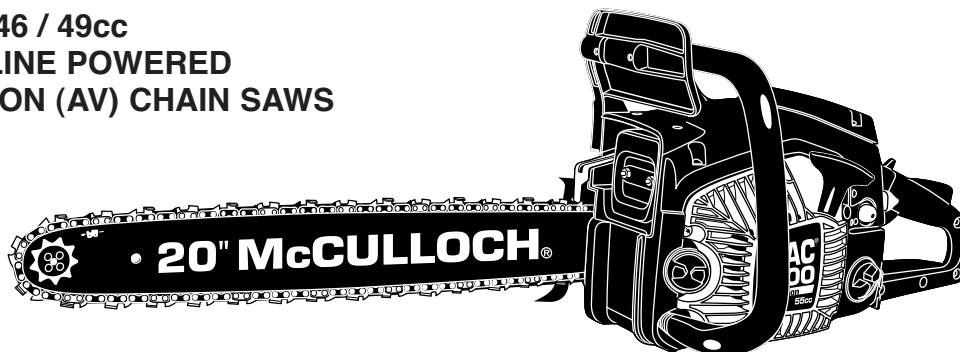


# McCULLOCH®

## 46 / 49cc GASOLINE POWERED ANTI-VIBRATION (AV) CHAIN SAWS



MODEL NAME	(+)SERIAL NUMBER PREFIX	MODEL NUMBER	BAR & CHAIN	ENGINE SIZE
MS1846AV	-		18	46cc
MS2046AV	-	-	20	46cc
M1849AV	-	-	18	49cc
MS2049	-	-	20	49cc
MAC 4600	11- / 22-	600465-00	18	46cc
MAC 4600	11- / 22-	600465-01	20	46cc
MAC 4600	11- / 22-	600465-02	16	46cc
MAC 4600	11-	600465-07		46cc
MAC 4600	11-	600465-09		46cc
MAC 4600	11-	600465-12		46cc
MAC 4900	11-	600498-01		49cc
MAC 4900	11- / 22-	600498-02	20	49cc
MAC 4900	11-	600498-03		49cc
MAC 4900	11-	600498-08		49cc
MAC 4900	11-	600498-13		49cc
MAC 5500	22-	600555-00		55cc
PM1846AV	-	-	18	46cc
PM2046AV	-	-	20	46cc
PM1849AV	-	-	18	49cc
PM2049AV	-	-	20	49cc
PROMAC 4700	22-	600465-03		
PROMAC 5000	22-	600498-20		
PROMAC 5500	22-	600555-02		55cc
SILVER EAGLE 2818				
SILVER EAGLE 3020				
TIMBERBEAR 20	-	-	20	49cc
TIMEBERBEAR	22-	600555-01		55cc

MARCH 2003

McCulloch products are identified by a model number (in this instance 600465) followed by a suffix number (00). Suffix numbers denote variations in parts or assemblies used in the manufacture of this product.

Illustrated Parts Lists (IPLs) contain a PART NUMBER, DESCRIPTION, UNITS per assembly and STOCKING CODE for each part.

#### Stocking Codes are:

- A - Dealer stocked. Fast to medium moving part.
- B - Distributor stocked. Medium to slow moving part.
- C - Factory stocked. Slow moving part.

**NOTE:** The following explains symbols and footnotes in this IPL:

- (-) A dash preceding a PART NUMBER indicates that it is a new part number, different from the one listed in the previous IPL for this unit.
- (.) One or more dots (. Spring, Starter) preceding a part DESCRIPTION indicates the part is included in the kit or assembly described directly above the dot(s).
- (-- --) If four dashes appear in place of a PART NUMBER, the part is not available individually but is included in the next higher assembly or subassembly.
- ①☐ Circled numbers preceding a DESCRIPTION footnote the part or assembly to additional information on the page.
- (\*) An asterisk denotes that choices follow or precede.
- (+) Serial Number Prefix 21- denotes CARB approved unit -- all parts are interchangeable with Serial Number Prefix 11-.

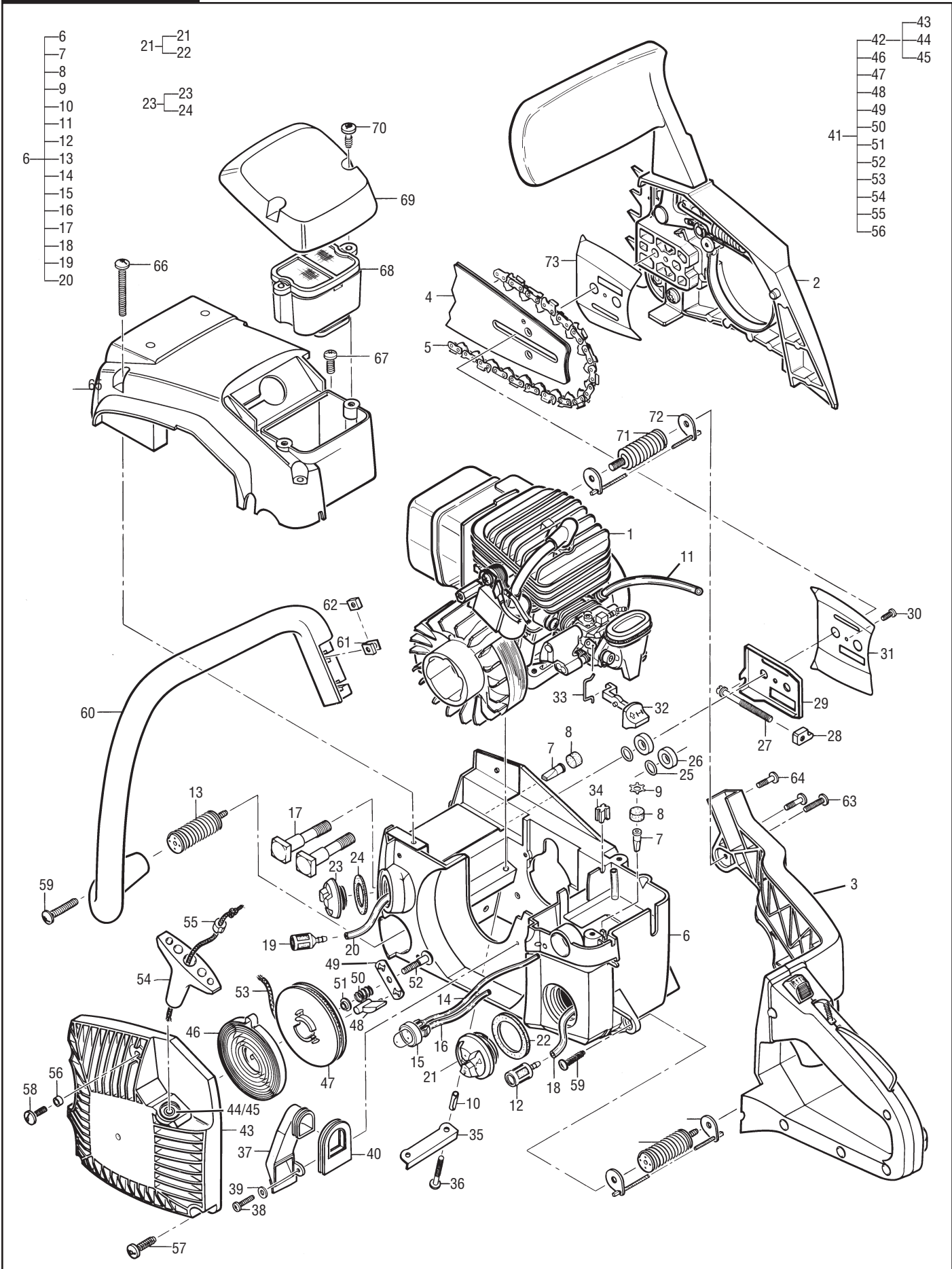
The policy of McCulloch is one of continual improvement in design, manufacturing and engineering advancement wherever possible to assure still finer power tools. Hence, specifications, equipment colors, design and manufacturer's suggested list prices are subject to change without notice. McCulloch reserves the right to make such changes without prior notification or obligation to backfit or supply backfit components for units previously shipped from the factory.

## ILLUSTRATED PARTS LIST

P.O. Box 31567  
Tucson, Arizona 85751-1567 • U.S.A.

# FIGURE 1

# GENERAL ASSEMBLY



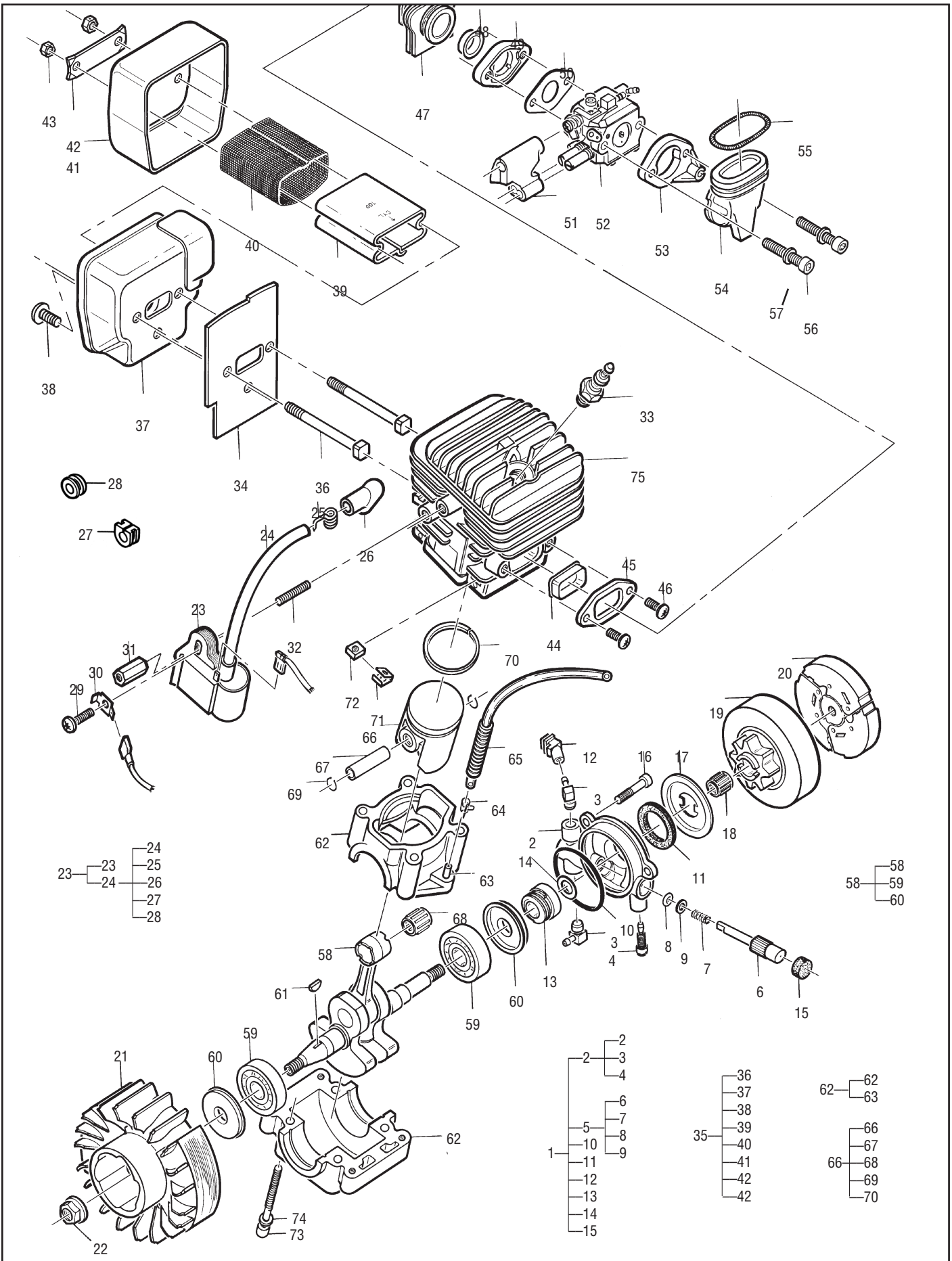
# GENERAL ASSEMBLY

# FIGURE 1

ITEM NO.	STK CODE	PART NUMBER	DESCRIPTION	UNITS PER ASY	ITEM NO.	STK CODE	PART NUMBER	DESCRIPTION	UNITS PER ASY
1	-	FIGURE 2	Powerhead Asy	1	58	A	217935	Screw, 10-24x.5 Torx	1
2	-	FIGURE 4	Chain Brake Asy	1	59	B	111068	Screw, 10-14x1.38 Torx	1
3	-	FIGURE 5	Rear Handle Asy	1	60	C	322671	Handle, Front	1
4	-	FIGURE 3	Bar Information	1	61	A	300292	Retainer, Nut	2
5	-	FIGURE 3	Chain Information	1	62	A	218005	Nut, Sq 10-24	2
6	B	300730	Fuel/Oil Tank Asy (Black)	1	63	C	111117	Screw, 10-14x1 Plast	2
7	A	322199	. Valve, Duckbill	2	64	C	300296	Screw, 10-24x.5 PnHdTorx	2
8	A	300259	. Filter, Foam	2	65	C	301419	①③ Top Cover Asy (Black)	1
9	C	322859	. Retainer, Vent	1	66	C	111110	Screw, 10-14x2	2
10	B	322883	. Spacer	4	67	C	111109	Screw, 10-14 Torx Hd	1
11	B	322647	. Hose, Pulse	1	68	A	300922	Air Cleaner Asy	1
12	A	300869	. Pickup, Fuel	1	69	C	322659	①③ Cover, Air Cleaner (Black)	1
13	A	301417	. Isolator Asy Handle	1	70	A	111099	Screw, k10-24x.625 PnHdTorx	2
14	A	322860	. Hose, Fuel	1	71	C	302416	Isolator Asy	1
15	A	224242-02	. Primer, Remote	1	72	C	323344	Cable Asy, AV Spring	1
16	A	322861	. Hose, Primer	1	73	C	325172	Plate, Flange	1
17	B	111107	. Bolt, Bar 5/16-18, Shoulder	2					
18	C	218480	. Hose, Oil	1					
19	A	225062	. Pickup, Oil	1					
20	B	322867	Hose, Fuel/Oil	1	①	11600465-00	11600465-01		
21	A	301112	Fuel Cap Asy	1		11600465-02	11600465-07		
22	-	---	. Gasket	1		11600465-09	11600465-12		
23	A	300917	Oil Cap Asy	1		11600498-01	11600498-02		
24	-	---	. Gasket, Oil Cap	1		11600498-03	11600498-08		
25	A	111142	① O-Ring, .013	1		11600498-13			
26	B	322658	① Washer, Bar Bolt	1	②	11600465-03	11600498-04		
27	A	520001-33	Bar Adj Screw Nut & Ring	1	③	11600465-08	11600498-09		
28	-	---	. Nut, Bar Adjusting	1					
29	C	322873	Plate, Bar	1					
30	C	111143	Screw, 6-19 x .375	1					
31	C	301612	Plate, Bar Guide	2					
32	C	322880	Lever, Choke	1					
33	B	300728	Rod, Choke	1					
34	C	323339	Plug, Pulse Hose	1					
35	C	301615	Plate, Flange	1					
36	A	217937	Screw, 10-24x1 Torx	4					
37	C	322665	Precleaner Asy	1					
38	A	223357	Screw, 8-16 Plast	1					
39	B	105976	Washer, #8 Plain	1					
40	C	322666	Boot, Intake	1					
*41	C	300226	①② Starter Asy (Yellow)	1					
42	C	301914	. Housing/Rope Guide Asy	1					
43	-	---	.. Housing, Starter (Yellow)	1					
44	-	---	.. Rope Guide	1					
45	-	---	. Tube, Rope Guide	1					
46	A	300475	. Spring, Starter Rewind	1					
47	B	300228	. Pulley, Starter	1					
48	B	300229	. Pawl, Starter	2					
49	C	300230	. Plate, Starter	1					
50	C	300231	. Spring, Friction	1					
51	C	300232	. Spacer, Starter	1					
52	C	300233	. Screw, Shoulder	1					
53	A	300234	. Rope, Starter 45"	1					
54	A	87851	. Handle, Starter	1					
55	A	223944	. Bushing, Starter	1					
56	B	111157	. Spacer, 10x.135	1					
57	C	111111	Screw, 10-14x.625 Torx	3					

**FIGURE 2**

**POWERHEAD ASSEMBLY**



# POWERHEAD ASSEMBLY

## FIGURE 2

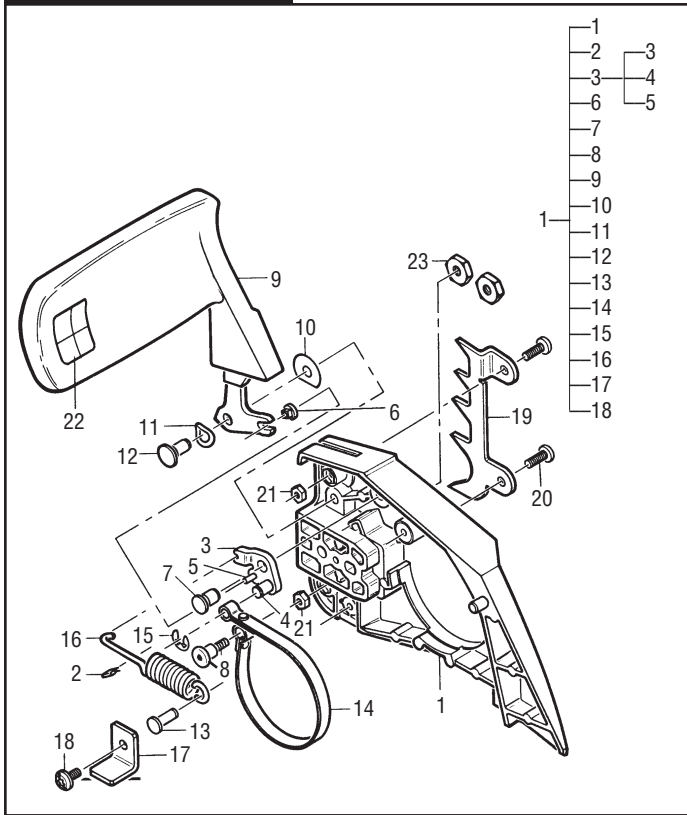
ITEM NO.	STK CODE	PART NUMBER	DESCRIPTION	UNITS PER ASY	ITEM NO.	STK CODE	PART NUMBER	DESCRIPTION	UNITS PER ASY
1	A	301912	Kit, Oil Pump Asy	1	55	C	322654	Spring, Garter	1
2	A	---	. Pump Asy, Oil	1	56	C	111105	Screw, 10-24, Carb Clamp	2
3	A	322182	.. Fitting	2	57	A	216635	Washer, Special #10	2
4	C	322635	.. Screw, Adj	1	58	-	---	C'shaft/ConRod/Bearing Asy	1
5	B	301913	. Kit, Gear/Plunger Asy	1	59	C	215946	. Bearing, Ball	2
6	-	---	.. Piston/Gear Asy	1	60	A	300222	. Seal, Crankshaft	2
7	-	---	.. Spring, Comp	1	61	A	102164	Key, Wdf #206	1
8	-	---	.. O-ring	1	62	-	---	③ Crankcase/Fitting Asy	1
9	A	110582	.. Washer	1	63	-	---	. Fitting, Pulse Line	1
10	B	111162	O-Ring, 1.625x.06	1	64	C	323395-01	Clamp, Wire, Hose 1/4"	1
11	A	323435	Washer, Felt	1	65	B	323433	Conduit, Flex	1
12	B	322864	Connector, Oil Pump	1	66	-	---	Piston Asy, 46cc	1
13	C	322662	Gear, Worm	1	66	-	---	② Piston Asy, 49cc	1
14	C	322884	Washer	1	67	-	---	④ . Pin, Piston	1
15	B	323126	Seal, Felt	1	68	-	---	. Bearing, Piston Pin	1
16	C	111108	Screw, #8 Plast	3	69	-	---	. Ring, Retaining	2
17	C	322856	Washer, Clutch Drum	1	70	-	---	. Ring, Piston, 46cc	1
18	C	111104	Bearing, 10x13x13mm	1	70	-	---	. Ring, Piston, 49cc	1
19	A	301338	Drum/Sprocket Asy, .325x8T	1	71	A	300292	Retainer, Nut	4
*20	A	300726-01	Clutch Asy, Old, Threaded	1	72	A	218005	Nut, 10-24 Sq	4
20	A	9228-310210	Clutch Asy, New, No Thread	1	73	C	111095	Screw, 10-24x2.75 Torx	4
21	A	322848	Flywheel	1	74	A	216683	Washer, #10 Special	4
22	A	110961	Nut, Hex 5/16-24	1	75	B	301926	Short Block Asy	1
23	B	301759	Ignition Asy	1					
24	A	223884	. Kit, Spark Plug Wire	1					
25	A	102556	.. Connector, Spark	1	①	11600465-00	11600465-01		
26	A	95266	.. Boot, Spark Plug	1		11600465-02	11600465-03		
27	A	215533-01	⑤ .. Grommet, H/T Lead	1		11600465-07	11600465-08		
28	A	110995	⑤ .. Grommet, S/Plug Wire	1		11600498-01	11600498-02		
29	A	217936	Screw, Tr 10-24x.75 Torx	1		11600498-03	11600498-04		
30	C	322881	Contact, Ground	1		11600498-08	11600498-08		
31	B	322854	Spacer, Nut 10-24x.834	1					
32	B	322855	Stud, 10-24x1.105	1	②	11600465-09	11600465-12		
33	A	92879	Spark Plug, RDJ8J	1		11600498-13			
34	C	322853	Baffle, Muffler Gasket	1					
35	C	300923	Muffler Asy	1	③	11600465-00	11600465-01		
36	C	300720	. Screw, Muffler	2		11600465-02	11600465-03		
37	-	---	. Body Asy, Muffler	1		11600465-07	11600465-08		
38	A	217935	. Screw, 10-24x.5 Tr Torx	1		11600465-09	11600465-12		
39	-	---	. Baffle, Muffler	1	④	11600498-01	11600498-02		
40	B	300719	. Screen, Spark Arrester	1		11600498-03	11600498-04		
41	-	---	. Body, Muffler, Outer	1		11600498-08	11600498-08		
42	B	301609	. Lock Plate	1		11600498-13			
43	A	216649	. Nut, 10-24 Hex Lock	2	⑤	Not used			
44	C	322655	Eyelet, Boot	1					
45	C	322649	Flange, Boot	1					
46	B	219881	Screw, 10-24x.62 TrHdTorx	2					
47	C	322648	Boot, Carburetor	1					
48	C	322656	Eyelet, Carburetor	1					
49	C	322650	Flange, Carburetor	1					
50	A	323536	Gasket, Carburetor	1					
51	C	322879	Boot, Carburetor	1					
52	-	FIGURE 6	Carburetor Asy	1					
53	C	322652	Bracket, Carburetor	1					
54	C	322653	Boot, Intake	1					

# BAR AND CHAIN INFORMATION

## FIGURE 3

BAR AND CHAIN SIZE	BAR PART NUMBER	CHAIN PART NUMBER	CHAIN SPECIFICATIONS	SERVICE TOOLS	
				FILE AND GUIDE PART No.	FILE PART No.
16"	323219-33	323218-33		301944-33	219161-33
18"	323215-33	323214-33	PMG320GLX		
20"	323217-33	323216-33			

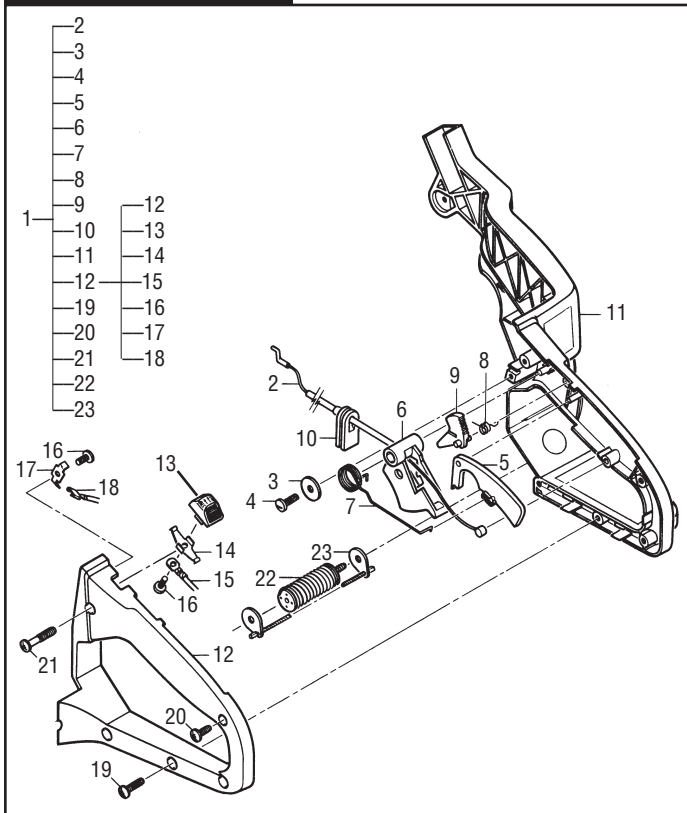
# FIGURE 4



# CHAIN BRAKE ASSEMBLY

ITEM NO.	STK CODE	PART NUMBER	DESCRIPTION	UNITS PER ASY
1	A	300723	Chain Brake, Inertia (Yellow)	1
2	C	110737	. Clip, "U"	1
3	-	---	. Latch Asy, Chain Brake	1
4	-	---	.. Pin, Brake Band	1
5	-	---	.. Pin, Latch	1
6	-	---	. Slider	1
7	-	---	. Pivot, Latch	1
8	C	322886	. Screw, Band Anchor	1
9	-	---	. Flat, Brake	1
10	-	---	Washer, "D"	1
11	-	---	. Washer, Spring	1
12	-	---	. Lever Pivot	1
13	-	---	. Pin, Spring Hook	1
14	C	323537	. Band, Brake	1
15	C	218079	. Ring, Retaining	1
16	B	217440	. Spring, Chain Brake	1
17	B	218641	. Stop, Chain	1
18	B	111226	Screw, 10-24x.62 TrHdTorx	3
19	B	301614	Spike	1
20	C	111169	. Screw	2
21	A	218315	Nut, 10-24	2
22	B	219058	Label, Safety	1
23	A	322885	Nut, Bar 5/16-18	2

# FIGURE 5

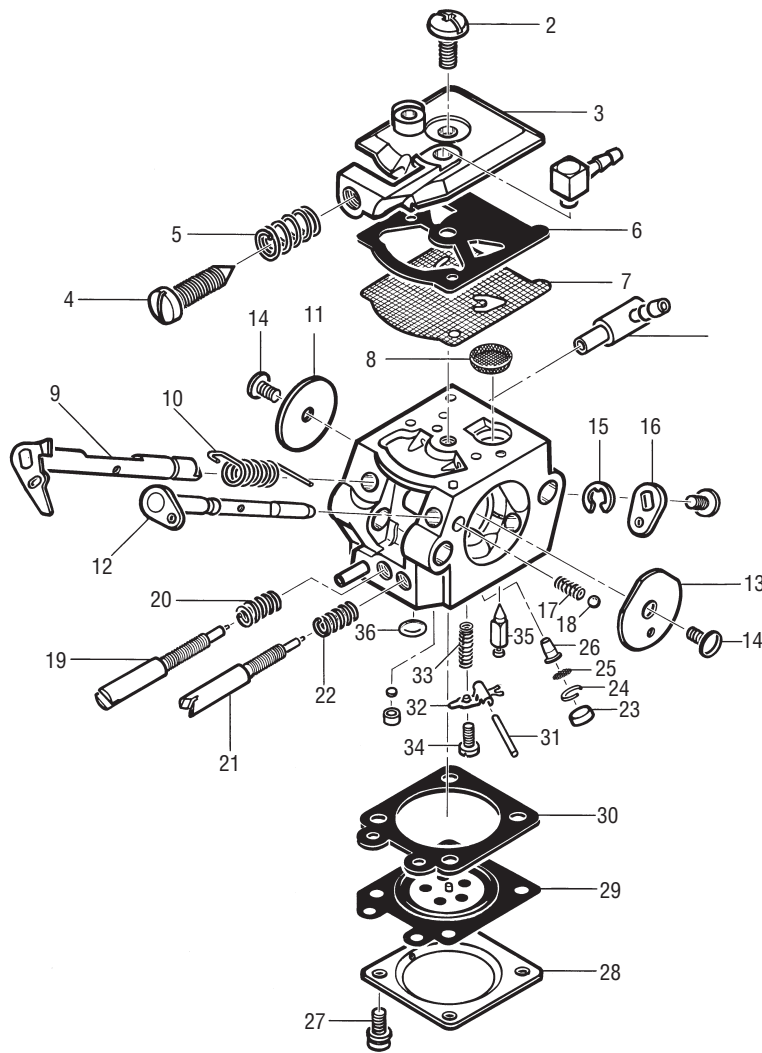


# REAR HANDLE ASSEMBLY

ITEM NO.	STK CODE	PART NUMBER	DESCRIPTION	UNITS PER ASY
1	C	301916	Handle/Trigger Asy	1
2	A	300727	. Cable, Throttle	1
3	A	300297	. Washer, .19idx.68od	1
4	A	111180	. Screw, 8-16x.5 Torx	1
5	C	322870	. Release, Trigger	1
6	C	322869	. Trigger	1
7	C	322875	. Spring, Trigger	1
8	C	322876	. Spring, High Idle	1
9	C	322874	. Latch, High Idle	1
10	C	322878	. Grommet, Throttle	1
11	C	322670	. Frame, Rear	1
12	C	301397	. Cover Asy, Handle	1
13	B	224245	.. Button, Stop Switch	1
14	B	62451	.. Contact, Ignition Switch	1
15	B	322851	.. Wire Asy	1
16	B	111069	.. Screw, 8-16x.375 Plast	2
17	C	322881	.. Contact, Ground	1
18	A	322852	.. Wire, Ground Asy	1
19	A	111113	. Screw, Rear Frame Cover	3
20	A	111180	. Screw, 8-16x.5 Torx	1
21	A	300299	. Screw, 8-16x1 Torx Plast	1
22	A	301417	. Isolator Asy, Handle	1
23	C	323344	. Safety Cable Asy	1

**FIGURE 6**

**CARBURETOR ASSEMBLY**



ITEM NO.	STK CODE	PART NUMBER	DESCRIPTION	UNITS PER ASY
-	B	322657-04	Carburetor, Walbro WT463	
1	---	---	. Screw, Pump Cover	1
2	---	---	. Cover, Fuel Pump	1
3	---	---	. Screw, Idle Adjustment	1
4	---	---	. Spring	1
5	---	①②	. Gasket, Fuel Pump	1
6	---	①②	. Diaphragm, Fuel Pump	1
7	---	①	. Screen Fuel Inlet	1
8	---	---	. Shaft Asy, Throttle	1
9	---	---	. Spring, Throttle Return	1
10	---	---	. Shutter, Throttle	1
11	---	---	. Shaft Asy, Choke	1
12	---	---	. Shutter, Choke	1
13	---	---	. Screw, Shutter and Choke	2
14	---	---	. Ring, Shaft Retainer	1
15	---	---	. Lever, Throttle	1
16	---	---	. Spring, Choke Friction	1
17	---	---	. Ball, Choke Friction	1
18	---	---	. Plug	1
19	---	---	. Ring, Screen Retainer	1
20	---	---	. Screen, Check Valve	1
21	---	---	. Seat Asy, Check Valve	1
22	---	---	. Screw, Metering Cover	4
23	---	---	. Cover, Metering Diaphragm	1
24	---	①②	. Diaphragm Asy, Metering	1

ITEM NO.	STK CODE	PART NUMBER	DESCRIPTION	UNITS PER ASY
25	---	---	①② . Gasket, Metering Diaphragm	1
26	---	---	① . Pin, Metering Lever	1
27	---	---	① . Lever, Metering	1
28	---	---	. Spring, Metering Lever	1
29	---	---	. Screw, Metering Lever Pin	1
30	---	---	① . Valve, Inlet Needle	1
31	---	---	① . Plug, Welch	1
32	---	---	. Plug, Welch	1
33	---	---	. Nozzle Asy, Check Valve	1
34	---	---	. O-ring, High Needle	1
35	---	---	. Washer, High Needle	1
36	---	---	. Needle, Idle	1
37	---	---	. Spring, Idle Needle	1
38	---	---	. Needle, High	1
39	---	---	. Spring, High Needle	1
40	---	---	. Limiter Cap, High Speed	1
41	---	---	. Limiter Cap, Low Speed	1
42	---	---	. Retainer, Limiter	1

① 325520 Kit, Carburetor Repair, Walbro (A1137WT)  
 ② 301042 Kit, Gasket/Diaphragm, Walbro (B1110WT)



**P.O. Box 31567 • Tucson Arizona 85751-1567 • U.S.A.**

**• MANUFACTURING • SALES • SERVICE •**

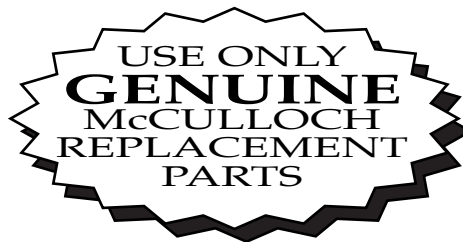
FOR WARRANTY OR SERVICE, CONTACT THE NEAREST McCULLOCH AUTHORIZED SERVICE CENTER LISTED UNDER 'SAWS' IN YOUR TELEPHONE DIRECTORY YELLOW PAGES.

IF FURTHER ASSISTANCE IS REQUIRED, CALL THIS TOLL-FREE HOT LINE.  
PLEASE REFERENCE YOUR MODEL AND SERIAL NUMBER.

**1-800-521-8559**

**MONDAY - FRIDAY - 6:00 AM - 4:30 PM (MST)**

*www.mccullochpower.com*



### ENGINE SPECIFICATIONS

Displacement, cc (ci) . . . . .	.46cc (2.8ci)
. . . . .	.49cc (3.0ci)
Bore, cc (ci) . . . . .	.46cc, 1.69 in. (43mm)
. . . . .	.49cc - 1.74 in. (44mm)
Spark Plug . . . . .	.92879-00
Spark Plug Gap . . . . .	.0.025 in. (0.635mm)
Starter Rope Length . . . . .	.41 in. (104cm)
Max RPM (w/bar &chain) . . . . .	.11,500
Clutch Engagement Speed . . . . .	.3,500-3,800 RPM
Fuel Mix . . . . .	.40:1
Fuel Tank Capacity . . . . .	.11.8 fl. oz (349ml)
Oil Tank Capacity . . . . .	.22.7 fl. oz (671ml)

### TORQUE SPECIFICATIONS

DESCRIPTION	FASTENER PART NO.	FIG/ ITEM	TORQUE (IN/LBS)	LOCTITE
C'Case to Fuel/Oil Tank	217937	1/36	55-60	262
Flywheel Nut	110961	3/22	175-185	242
Ignition Screw	217936	3/29	45-50	242
Ign. Spacer Nut	322854	3/31	45-50	242
Spark Plug	92879-00	3/33	110-120	-- --
Muffler Screws	217935	3/33	45-50	262
Muffler Nuts	216682	3/43	50-55	133A
Carb Boot Flange	219881	3/46	45-50	262
Carburetor Flange	111105	3/56	25-30	242
C'Case to Cylinder	111095	3/73	70-80	262



## Free Manuals Download Website

<http://myh66.com>

<http://usermanuals.us>

<http://www.somanuals.com>

<http://www.4manuals.cc>

<http://www.manual-lib.com>

<http://www.404manual.com>

<http://www.luxmanual.com>

<http://aubethermostatmanual.com>

Golf course search by state

<http://golfingnear.com>

Email search by domain

<http://emailbydomain.com>

Auto manuals search

<http://auto.somanuals.com>

TV manuals search

<http://tv.somanuals.com>