

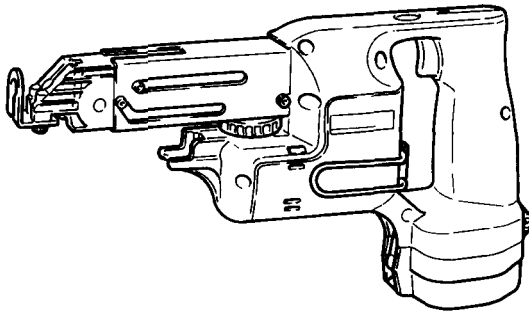
# Makita

アメリカ

## Cordless Auto Feed Screwdriver

**MODEL 6831D**  
**MODEL 6831DW**  
With Fast Charger

### INSTRUCTION MANUAL



#### SPECIFICATIONS

• 6831D

Drywall screw size	No load speed (RPM)	Overall length	Net weight
4 mm x 25, 28, 32, 40 mm (5/32" x 1", 1-1/8", 1-1/4", 1-9/16")	2,000	340 mm (13-3/8")	2.1 kg (4.6 lbs)

• Battery Cartridge 1200

• Model DC1201 Fast Charger

Voltage	Input	Output	Charging time
12 V	A.C. only 50 Hz – 60 Hz	D.C. 9.6 V, 12 V	45 min. (For Battery cartridge 1200)
			1 hour (For Battery cartridge 1201)

• Manufacturer reserves the right to change specifications without notice.

\* Note: Specifications may differ from country to country.

WARNING: For your personal safety, READ and UNDERSTAND before using.

SAVE THESE INSTRUCTIONS FOR FUTURE REFERENCE.

# **IMPORTANT SAFETY INSTRUCTIONS**

## **(For All Tools)**

**WARNING: WHEN USING ELECTRIC TOOLS, BASIC SAFETY PRECAUTIONS SHOULD ALWAYS BE FOLLOWED TO REDUCE THE RISK OF FIRE, ELECTRIC SHOCK, AND PERSONAL INJURY, INCLUDING THE FOLLOWING:**

### **READ ALL INSTRUCTIONS.**

- 1. KEEP WORK AREA CLEAN.** Cluttered areas and benches invite injuries.
- 2. CONSIDER WORK AREA ENVIRONMENT.** Don't use power tools in damp or wet locations. Keep work area well lit. Don't expose power tools to rain. Don't use tool in presence of flammable liquids or gases.
- 3. KEEP CHILDREN AWAY.** All visitors should be kept away from work area. Don't let visitors contact tool or extension cord.
- 4. STORE IDLE TOOLS.** When not in use, tools should be stored in dry, and high or locked-up place — out of reach of children.
- 5. DON'T FORCE TOOL.** It will do the job better and safer at the rate for which it was intended.
- 6. USE RIGHT TOOL.** Don't force small tool or attachment to do the job of a heavy-duty tool. Don't use tool for purpose not intended; for example, don't use circular saw for cutting tree limbs or logs.
- 7. DRESS PROPERLY.** Don't wear loose clothing or jewelry. They can be caught in moving parts. Rubber gloves and non-skid footwear are recommended when working outdoors. Wear protective hair covering to contain long hair.
- 8. USE SAFETY GLASSES.** Also use face or dust mask if cutting operation is dusty.
- 9. DON'T ABUSE CORD.** Never carry tool by cord or yank it to disconnect from receptacle. Keep cord from heat, oil, and sharp edges.
- 10. SECURE WORK.** Use clamps or a vise to hold work. It's safer than using your hand and it frees both hands to operate tool.
- 11. DON'T OVERREACH.** Keep proper footing and balance at all times.
- 12. MAINTAIN TOOLS WITH CARE.** Keep tools sharp and clean for better and safer performance. Follow instructions for lubricating and changing accessories. Inspect tool cords periodically and if damaged, have repaired by authorized service facility. Inspect extension cords periodically and replace if damaged. Keep handles dry, clean, and free from oil and grease.
- 13. DISCONNECT TOOLS.** When not in use, before servicing, and when changing accessories, such as blades, bits, cutters.

14. **REMOVE ADJUSTING KEYS AND WRENCHES.** Form habit of checking to see that keys and adjusting wrenches are removed from tool before turning it on.
15. **AVOID UNINTENTIONAL STARTING.** Don't carry tool with finger on switch. Be sure switch is OFF when plugging in.
16. **EXTENSION CORDS.** Make sure your extension cord is in good condition. When using an extension cord, be sure to use one heavy enough to carry the current your product will draw. An undersized cord will cause a drop in line voltage resulting in loss of power and overheating. Table 1 shows the correct size to use depending on cord length and nameplate ampere rating. If in doubt, use the next heavier gage. The smaller the gage number, the heavier the cord.

**TABLE 1 MINIMUM GAGE FOR CORD SETS**

			Total Length of Cord in Feet			
			0 – 25	26 – 50	51 – 100	101 – 150
Ampere Rating More Than	–	Not More Than	A W G			
0	–	6	18	16	16	14
6	–	10	18	16	14	12
10	–	12	16	16	14	12
12	–	16	14	12	Not Recommended	

17. **OUTDOOR USE EXTENSION CORDS.** When tool is used outdoors, use only extension cords intended for use outdoors and so marked.
18. **STAY ALERT.** Watch what you are doing, use common sense. Don't operate tool when you are tired.
19. **CHECK DAMAGED PARTS.** Before further use of the tool, a guard or other part that is damaged should be carefully checked to determine that it will operate properly and perform its intended function. Check for alignment of moving parts, binding of moving parts, breakage of parts, mounting, and any other conditions that may affect its operation. A guard or other part that is damaged should be properly repaired or replaced by an authorized service center unless otherwise indicated elsewhere in this instruction manual. Have defective switches replaced by authorized service center. Don't use tool if switch does not turn it on and off.
20. **GUARD AGAINST ELECTRIC SHOCK.** Prevent body contact with grounded surfaces. For example; pipes, radiators, ranges, refrigerator enclosures.
21. **REPLACEMENT PARTS.** When servicing, use only identical replacement parts.
22. **POLARIZED PLUGS.** To reduce the risk of electric shock, this equipment has a polarized plug (one blade is wider than the other). This plug will fit in a polarized outlet only one way. If the plug does not fit fully in the outlet, reverse the plug. If it still does not fit, contact a qualified electrician to install the proper outlet. Do not change the plug in any way.

**VOLTAGE WARNING:** Before connecting the tool to a power source (receptacle, outlet, etc.) be sure the voltage supplied is the same as that specified on the nameplate of the tool. A power source with voltage greater than that specified for the tool can result in **SERIOUS INJURY** to the user — as well as damage to the tool. If in doubt, **DO NOT PLUG IN THE TOOL**. Using a power source with voltage less than the nameplate rating is harmful to the motor.

# IMPORTANT SAFETY INSTRUCTIONS FOR CHARGER & BATTERY CARTRIDGE

- 1. SAVE THESE INSTRUCTIONS** – This manual contains important safety and operating instructions for battery charger.
2. Before using battery charger, read all instructions and cautionary markings on (1) battery charger, (2) battery, and (3) product using battery.
3. **CAUTION** – To reduce risk of injury, charge only MAKITA Battery Cartridge 1200, 1201 & 1201A. Other types of batteries may burst causing personal injury and damage.
4. Do not expose charger to rain or snow.
5. Use of an attachment not recommended or sold by the battery charger manufacturer may result in a risk of fire, electric shock, or injury to persons.
6. To reduce risk of damage to electric plug and cord, pull by plug rather than cord when disconnecting charger.
7. Make sure cord is located so that it will not be stepped on, tripped over, or otherwise subjected to damage or stress.
8. An extension cord should not be used unless absolutely necessary. Use of improper extension cord could result in a risk of fire and electric shock. If extension cord must be used, make sure:
  - a. That pins on plug of extension cord are the same number, size, and shape as those of plug on charger;
  - b. That extension cord is properly wired and in good electrical condition; and
  - c. That wire size is at least as large as the one specified in the table below.

TABLE 1  
RECOMMENDED MINIMUM AWG SIZE FOR  
EXTENSION CORDS FOR BATTERY CHARGERS

Length of Cord (Feet)	25	50	100	150
AWG Size of Cord	18	18	18	16

9. Do not operate charger with damaged cord or plug – replace them immediately.
10. Do not operate charger if it has received a sharp blow, been dropped, or otherwise damaged in any way; take it to a qualified serviceman.
11. Do not disassemble charger or battery cartridge; take it to a qualified serviceman when service or repair is required. Incorrect reassembly may result in a risk of electric shock or fire.
12. To reduce risk of electric shock, unplug charger from outlet before attempting any maintenance or cleaning. Turning off controls will not reduce this risk.

## **ADDITIONAL SAFETY RULES FOR CHARGER & BATTERY CARTRIDGE**

- 1. Do not charge Battery Cartridge when temperature is BELOW 10°C (50°F) or ABOVE 40°C (104°F).**
- 2. Do not attempt to use a step-up transformer, an engine generator or DC power receptacle.**
- 3. Do not allow anything to cover or clog the charger vents.**
- 4. Always cover the battery terminals with the battery cover when the battery cartridge is not used.**
- 5. A battery short can cause a large current flow, overheating, possible burns and even a breakdown.**
  - (1) Do not touch the terminals with any conductive material.**
  - (2) Avoid storing battery cartridge in a container with other metal objects such as nails, coins, etc.**
  - (3) Do not expose battery cartridge to water or rain.**
- 6. Do not store the tool and Battery Cartridge in locations where the temperature may reach or exceed 50°C (122°F).**
- 7. Do not incinerate the Battery Cartridge even if it is severely damaged or is completely worn out. The battery cartridge can explode in a fire.**

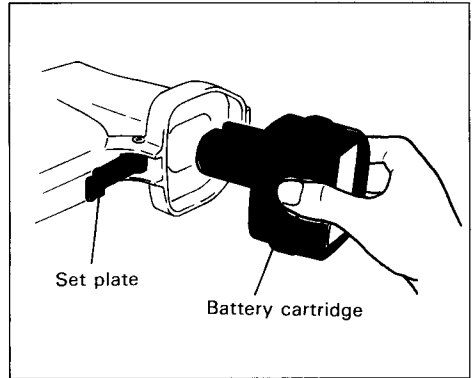
## **ADDITIONAL SAFETY RULES**

- 1. Use only Makita genuine driver bits and drywall screw strips specified for this tool.**
- 2. Always be sure that the tool is switched off and unplugged before carrying out any work on the tool.**
- 3. Hold the tool firmly and squarely against the workpiece.**
- 4. Be sure no one is below when using the tool in high locations.**
- 5. Do not touch any metal parts of the tool to prevent electrical shock if you drive into a "live" wire.**
- 6. Never lubricate the moving parts such as the feeder box. Malfunction of the tool may result.**

**SAVE THESE INSTRUCTIONS.**

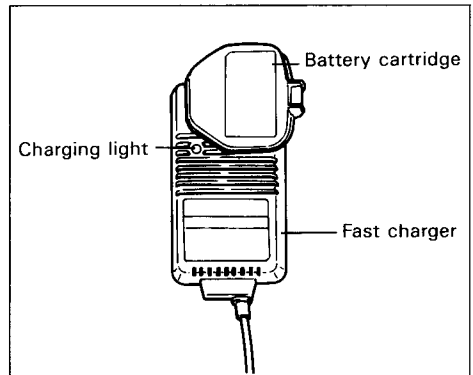
### Installing or removing the battery cartridge

- Always switch off the tool before insertion or removal of the battery cartridge.
- To remove the battery cartridge, pull out the set plate on the tool and grasp both sides of the cartridge while withdrawing it from the tool.
- To insert the battery cartridge, align the tongue on the battery cartridge with the groove in the housing and slip it into place. Snap the set plate back into place. Be sure to close the set plate fully before using the tool to prevent the battery cartridge from accidentally falling out of the tool.
- Do not use force when inserting the battery cartridge. If the cartridge does not slide in easily, it is not being inserted correctly.



### Charging

- Your new battery cartridge is not charged. You will need to charge it before use. Use the fast charger Model DC1201 to charge the battery cartridge.
- Plug the fast charger into the proper A/C voltage source. The charging light will flash in green color.
- Insert the battery cartridge so that the plus and minus terminals on the battery cartridge are on the same sides as their respective markings on the fast charger. Insert the cartridge fully into the port so that it rests on the charger port floor.
- When the battery cartridge is inserted, the charging light color will change from green to red and charging will begin. The charging light will remain lit steadily during charging.
- When charging is completed, the charging light color will change from red to green and a tone will sound steadily for about 5 seconds.
- After charging, unplug the charger from the power source. Refer to the table below for the charging time.



Fast charger		DC1201
Battery cartridge	1201 or 1201A	Approx. 60 min.
	1200	Approx. 45 min.

## CAUTION:

- The fast charger Model DC1201 is specifically designed to charge only Makita battery cartridges. Never use it for other purposes or for other manufacturer's batteries.
- When you charge a new battery cartridge or a battery cartridge which has not been used for a long period of time, it may not accept a full charge. This is a normal condition and does not indicate a problem. You can recharge the battery cartridge fully after discharging it completely and recharging a couple of times.
- If you charge a battery cartridge from a just-operated tool or a battery cartridge which has been left in a location exposed to direct sunlight or heat for a long time, the charging light may flash in red color. If this occurs, wait for a while. Charging will begin after the battery cartridge cools.
- If the charging light flashes alternately in green and red color and a tone sound "beep, beep, beep,..." for about 20 seconds, a problem exists and charging is not possible. The terminals on the charger or battery cartridge are clogged with dust or the battery cartridge is worn out or damaged.
- If you wish to charge two battery cartridges, allow 15 minutes between chargings on the fast charger.

## Adjusting the stopper plate

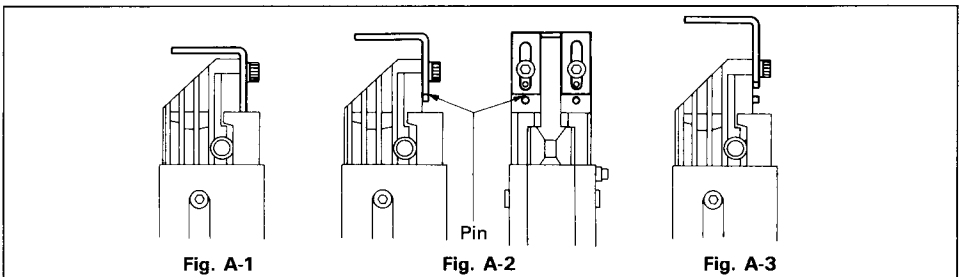
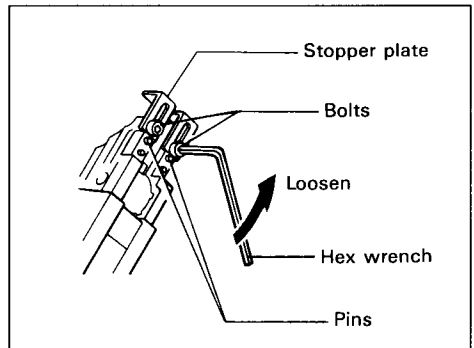
Loosen the bolts which secure the stopper plate. Adjust the stopper plate in accordance with the screw length as shown in the figure below.

**Fig. A-1:** For screws 25 mm (1") or 28 mm (1-1/8") long

**Fig. A-2:** For screws 32 mm (1-1/4") long

**Fig. A-3:** For screws 40 mm (1-9/16") long

Then tighten the bolts to secure the stopper plate.





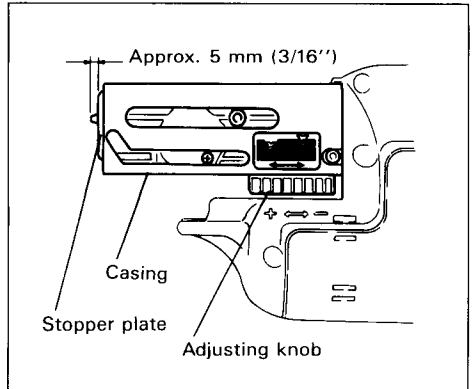
## NOTE:

As for **Fig. A-2** and **A-3**, secure the stopper plate with both ends contacting the pins on each side to keep the plate from tilting.



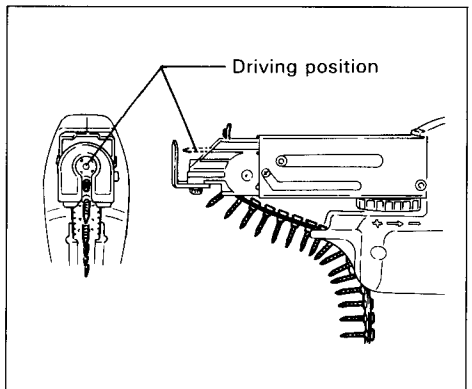
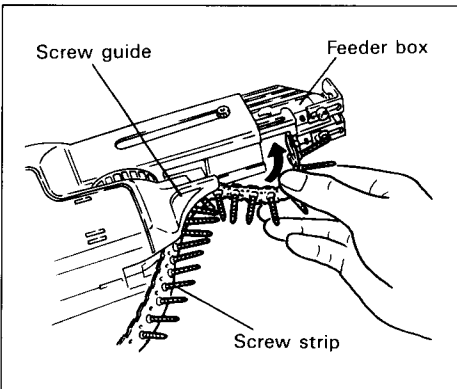
### Adjusting the driving depth

Depress the stopper plate as far as it will go. While keeping it in this position, turn the adjusting knob until the bit tip projects approx. 5 mm (3/16") from the stopper plate. Drive a trial screw. If the screw head projects above the surface of the workpiece, turn the adjusting knob in the  direction; if the screw head is countersunk, turn the adjusting knob in the  direction.



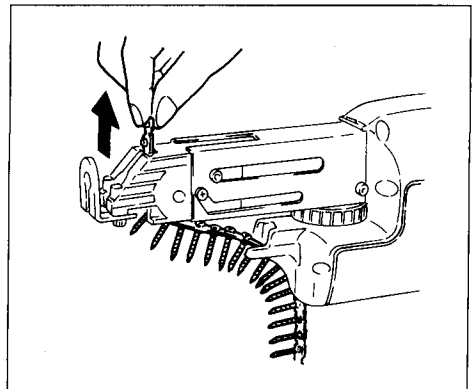
### Installing the screw strip

Insert the screw strip through the screw guide. Then insert it through the feeder box until the first screw reaches the position next to the driving position.



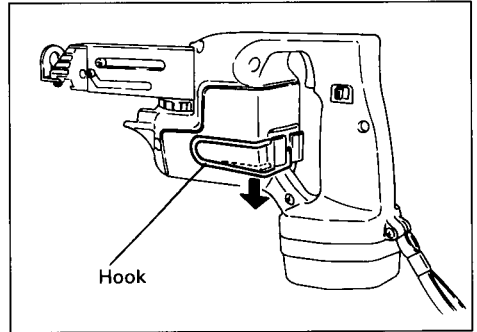
### Removing the screw strip

To remove the screw strip, just pull it out in the direction of the arrow.



### Carry hook

The carry hook is convenient for temporarily hanging the tool. It can be installed on either left or right side of the tool.



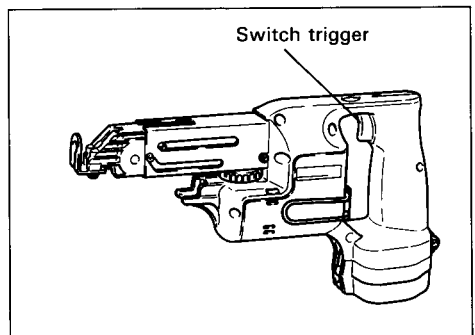
### Switching ON and OFF

#### CAUTION:

Before inserting the battery cartridge into the tool, always check to see that the switch trigger actuates properly and returns to the "OFF" position when released.

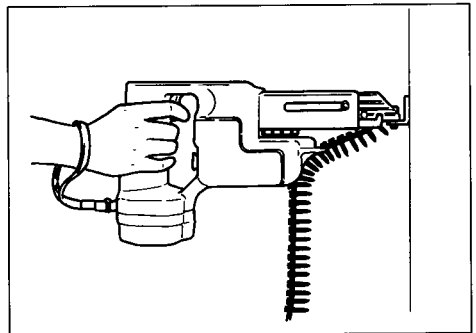
To switch on, press the trigger.

To switch off, release the trigger.



### Driving operation

Switch on the tool by pressing the trigger. Hold the tool squarely against the workpiece and apply forward pressure to the tool. The screw will be automatically carried to the driving position and driven into the workpiece.



#### CAUTION:

- Do not fire the tool without screws. This will damage the workpiece.
- If the feeder box becomes sluggish in operation, spray car wax (spray type wax) on its sliding surfaces. Never lubricate it.

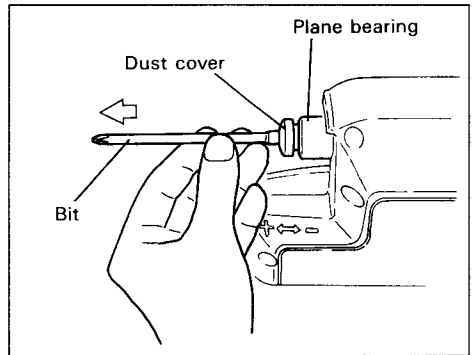
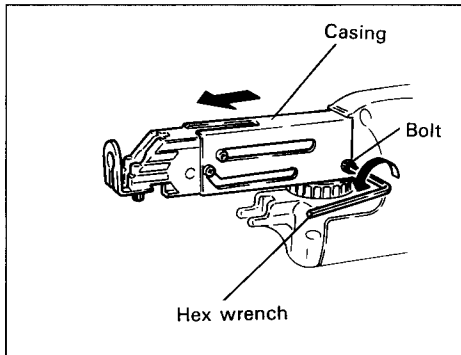
## Installing or removing the bit

### CAUTION:

Always be sure that the tool is switched off and the battery cartridge is removed before installing or removing the bit.

Loosen the bolt which secures the casing. Pull out the casing in the direction of the arrow. Press the dust cover toward the plane bearing and pull out the bit. If the dust cover cannot be moved as far as the plane bearing, try it again after turning the bit slightly.

To install the bit, insert it into the socket while turning it slightly. After installing, always make sure that the bit is securely held in place by trying to pull it out.



## Screwdriving performance

The following reference table indicates the approximate screwdriving capacities from a single charge. It may differ under some condition.

Application	Thickness of drywall	Foundation for drywall	Fastenings	
			Battery 1200	Battery 1201
Drywall screw 4.0 mm x 25 mm (5/32" x 1")	12 mm (15/32")	Steel stud 0.5 mm (1/64") thick	Approx. 430 screws	Approx. 610 screws
Drywall screw 4.0 mm x 40 mm (5/32" x 1-9/16")	18 mm (23/32")	Wood or plywood	Approx. 230 screws	Approx. 330 screws

### CAUTION:

If the tool is operated continuously until the battery cartridge has discharged, allow the tool to rest for 15 minutes before proceeding with a fresh battery.

## MAINTENANCE

### CAUTION:

Always be sure that the tool is switched off and the battery cartridge is removed before attempting to perform inspection or maintenance.

To maintain product SAFETY and RELIABILITY, repairs, maintenance or adjustment should be performed by Makita Authorized or Factory Service Centers, always using Makita replacement parts.

## ACCESSORIES

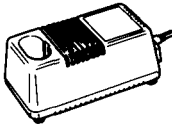
### CAUTION:

These accessories or attachments are recommended for use with your Makita tool specified in this manual. The use of any other accessories or attachments might present a risk of injury to persons. The accessories or attachments should be used only in the proper and intended manner.

- **Fast charger**

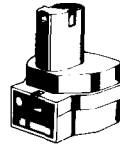
**Model DC1201**

Part No. 113126-0



- **Power display battery (High cap.) 1201A**

Part No. 192407-5

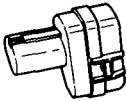


- **Battery cartridge 1200**

Part No. 192271-4

- **High capacity battery 1201**

Part No. 192296-8



- **Hex wrench 3**

Part No. 783201-2



- **Battery cover**

Part No. 824421-0



- **Phillips bit 2 - 117**

Part No. A-12697



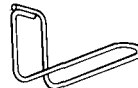
- **Plastic carrying case**

Part No. 824421-0

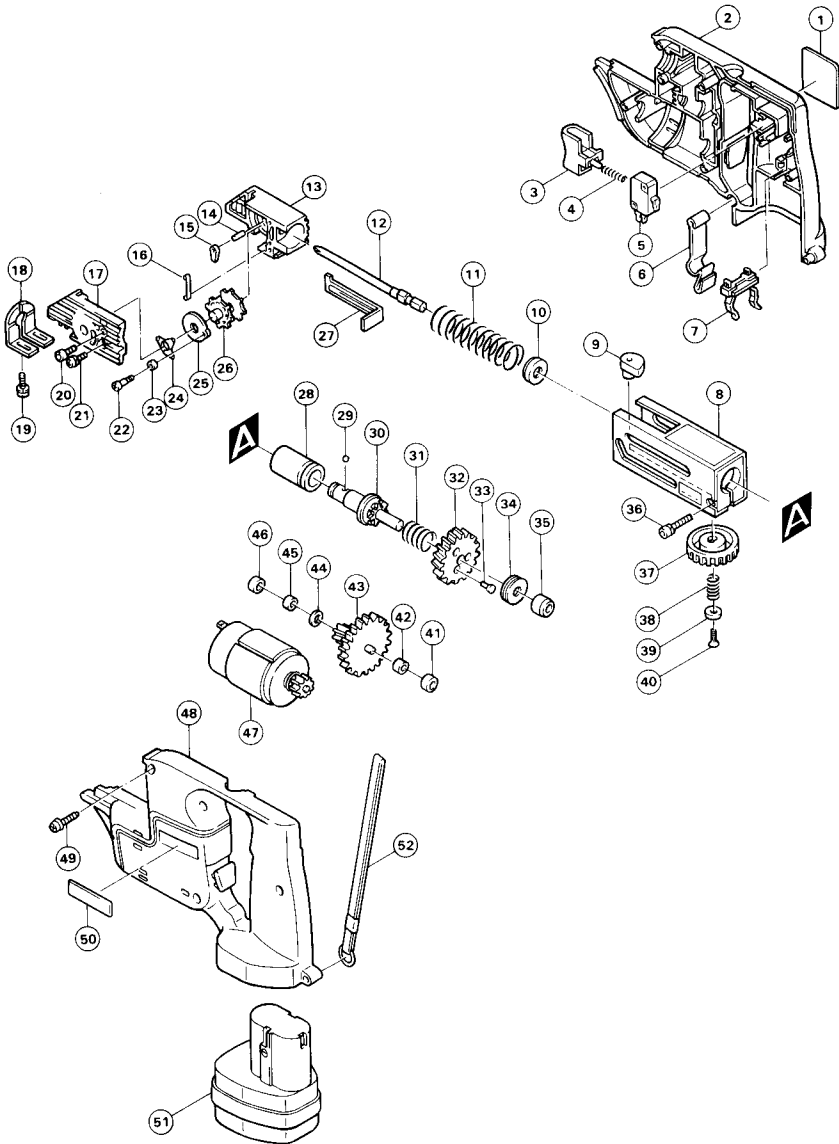


- **Hook**

Part No. 344056-6



# CORDLESS AUTO FEED SCREWDRIVER Model 6831D



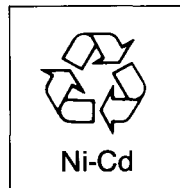
Note: The switch and other part configurations may differ from country to country.

ITEM NO.	NO. USED	DESCRIPTION	ITEM NO.	NO. USED	DESCRIPTION
<u>MACHINE</u>			<u>MACHINE</u>		
1	1	Name Plate	27	1	Plate
2	1	Housing Set (With Item 48)	28	1	Plane Bearing 14
3	1	Switch Lever	29	1	Steel Ball 3.5
4	1	Compression Spring 4	30	1	Spindle
5	1	Switch	31	1	Compression Spring 22
6	1	Set Plate	32	1	Helical Gear 55
7	1	Battery Holder	33	3	Pin 4
8	1	Casing	34	1	Thrust Needle Bearing 821
9	1	Shifter Pin	35	1	Plane Bearing 8
10	1	Dust Cover	36	1	Hex. Socket Head Bolt M4x25 (With Washer)
11	1	Compression Spring 21	37	1	Knob 40
12	1	Phillips Bit 2-117	38	1	Compression Spring 12
13	1	Feeder Box	39	1	Flat Washer 6
14	1	Pin 3	40	1	Countersunk Head Screw M4x12
15	1	Stopper	41	1	Rubber Sleeve 10
16	1	Leaf Spring	42	1	Plane Bearing 5
17	1	Box Cover	43	1	Gear Complete 16-49
18	1	Stopper Plate	44	1	Flat Washer 5
19	2	Hex. Socket Head Bolt M4x8	45	1	Plane Bearing 5
20	2	Hex. Socket Head Bolt M4x8	46	1	Rubber Sleeve 10
21	1	Pan Head Screw M4x18 (With Washer)	47	1	DC Motor 12 V
22	1	Flat Head Screw M3x5	48	1	Housing Set (With Item 2)
23	1	Sleeve 4	49	7	Tapping Screw 4x18
24	1	Leaf Spring	50	1	Makita Label
25	1	Ratchet Disc	51	1	Battery 1200
26	1	Ratchet Wheel	52	1	Hand Strap

Note: The switch and other part specifications may differ from country to country.

## Recycling the Battery

The only way to dispose of a Makita battery is to recycle it. The law prohibits any other method of disposal.



To recycle the battery:

1. Remove the battery from the tool.
  2. a). Take the battery to your nearest Makita Factory Service Center  
or  
b). Take the battery to your nearest Makita Authorized Service Center or Distributor that has been designated as a Makita battery recycling location.
- *Call your nearest Makita Service Center or Distributor to determine the location that provides Makita battery recycling. See your local Yellow Pages under "Tools-Electric".*

### MAKITA LIMITED ONE YEAR WARRANTY

#### Warranty Policy

Every Makita tool is thoroughly inspected and tested before leaving the factory. It is warranted to be free of defects from workmanship and materials for the period of ONE YEAR from the date of original purchase. Should any trouble develop during this one-year period, return the COMPLETE tool, freight prepaid, to one of Makita's Factory or Authorized Service Centers. If inspection shows the trouble is caused by defective workmanship or material, Makita will repair (or at our option, replace) without charge.

This Warranty does not apply where:

- repairs have been made or attempted by others;
- repairs are required because of normal wear and tear;
- The tool has been abused, misused or improperly maintained;
- alterations have been made to the tool.

IN NO EVENT SHALL MAKITA BE LIABLE FOR ANY INDIRECT, INCIDENTAL OR CONSEQUENTIAL DAMAGES FROM THE SALE OR USE OF THE PRODUCT. THIS DISCLAIMER APPLIES BOTH DURING AND AFTER THE TERM OF THIS WARRANTY.

MAKITA DISCLAIMS LIABILITY FOR ANY IMPLIED WARRANTIES, INCLUDING IMPLIED WARRANTIES OF "MERCHANTABILITY" AND "FITNESS FOR A SPECIFIC PURPOSE," AFTER THE ONE-YEAR TERM OF THIS WARRANTY.

This Warranty gives you specific legal rights, and you may also have other rights which vary from state to state. Some states do not allow the exclusion or limitation of incidental or consequential damages, so the above limitation or exclusion may not apply to you. Some states do not allow limitation on how long an implied warranty lasts, so the above limitation may not apply to you.

## Makita Corporation

3-11-8, Sumiyoshi-cho,  
Anjo, Aichi 446 Japan

883897 — 062

PRINTED IN JAPAN

## Free Manuals Download Website

<http://myh66.com>

<http://usermanuals.us>

<http://www.somanuals.com>

<http://www.4manuals.cc>

<http://www.manual-lib.com>

<http://www.404manual.com>

<http://www.luxmanual.com>

<http://aubethermostatmanual.com>

Golf course search by state

<http://golfingnear.com>

Email search by domain

<http://emailbydomain.com>

Auto manuals search

<http://auto.somanuals.com>

TV manuals search

<http://tv.somanuals.com>