

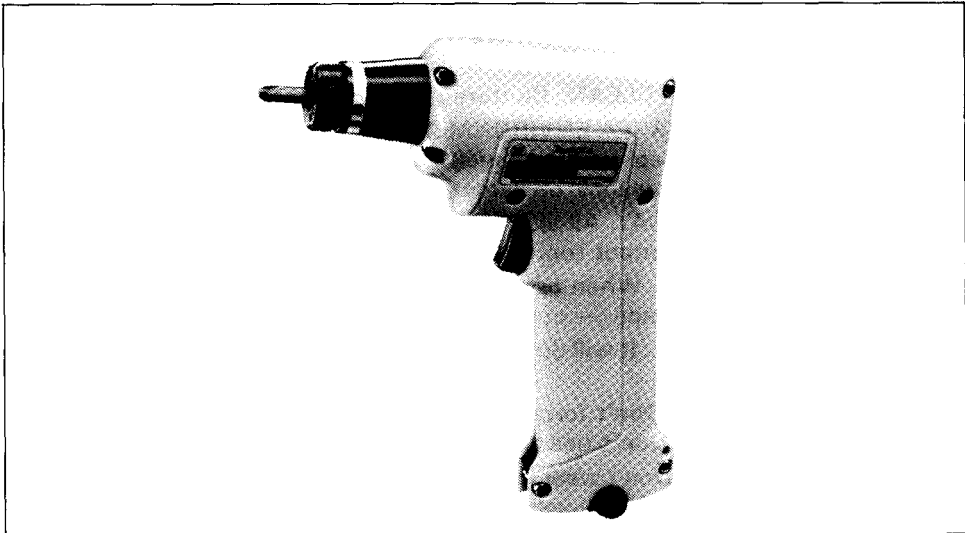
Makita

アメリカ

Cordless Screwdriver

MODEL 6710D
MODEL 6710DW
With Fast Charger

INSTRUCTION MANUAL



SPECIFICATIONS

• Model 6710D

Capacities			No load speed	Overall length	Net weight
Wood screws	Machine screws	Nuts			
5.1 mm x 50 mm (1/4" x 2")	6 mm (1/4")	6 mm (1/4")	220 R/min.	195 mm (7-5/8")	1.1 kg (2.4 lbs)

• Battery Cartridge 7000

• Model DC7100 Fast charger

Voltage	Charging time	Input	Output	Dimensions (L x W x H)	Net weight
7.2 V	1 Hr.	A.C. only 50 Hz ... 60 Hz	D.C. 7.2 V	145 mm x 80 mm x 61 mm (5-3/4" x 3-1/8" x 2-3/8")	0.7 kg (1.5 lbs)

- * Manufacturer reserves the right to change specifications without notice.
- * Note: Specifications may differ from country to country.

IMPORTANT SAFETY INSTRUCTIONS

(For All Tools)

WARNING: WHEN USING ELECTRIC TOOLS, BASIC SAFETY PRECAUTIONS SHOULD ALWAYS BE FOLLOWED TO REDUCE THE RISK OF FIRE, ELECTRIC SHOCK, AND PERSONAL INJURY, INCLUDING THE FOLLOWING:

READ ALL INSTRUCTIONS.

- 1. KEEP WORK AREA CLEAN.** Cluttered areas and benches invite injuries.
- 2. CONSIDER WORK AREA ENVIRONMENT.** Don't use power tools in damp or wet locations. Keep work area well lit. Don't expose power tools to rain. Don't use tool in presence of flammable liquids or gases.
- 3. KEEP CHILDREN AWAY.** All visitors should be kept away from work area. Don't let visitors contact tool or extension cord.
- 4. STORE IDLE TOOLS.** When not in use, tools should be stored in dry, and high or locked-up place — out of reach of children.
- 5. DON'T FORCE TOOL.** It will do the job better and safer at the rate for which it was intended.
- 6. USE RIGHT TOOL.** Don't force small tool or attachment to do the job of a heavy-duty tool. Don't use tool for purpose not intended.
- 7. DRESS PROPERLY.** Don't wear loose clothing or jewelry. They can be caught in moving parts. Rubber gloves and non-skid footwear are recommended when working outdoors. Wear protective hair covering to contain long hair.
- 8. USE SAFETY GLASSES.** Also use face or dust mask if cutting operation is dusty.
- 9. DON'T ABUSE CORD.** Never carry tool by cord or yank it to disconnect from receptacle. Keep cord from heat, oil, and sharp edges.
- 10. SECURE WORK.** Use clamps or a vise to hold work. It's safer than using your hand and it frees both hands to operate tool.
- 11. DON'T OVERREACH.** Keep proper footing and balance at all times.
- 12. MAINTAIN TOOLS WITH CARE.** Keep tools sharp and clean for better and safer performance. Follow instructions for lubricating and changing accessories. Inspect tool cords periodically and if damaged, have repaired by authorized service facility. Inspect extension cords periodically and replace if damaged. Keep handles dry, clean, and free from oil and grease.
- 13. DISCONNECT TOOLS.** When not in use, before servicing, and when changing accessories, such as blades, bits, cutters.

14. **REMOVE ADJUSTING KEYS AND WRENCHES.** Form habit of checking to see that keys and adjusting wrenches are removed from tool before turning it on.
15. **AVOID UNINTENTIONAL STARTING.** Don't carry plugged-in tool with finger on switch. Be sure switch is OFF when plugging in.
16. **OUTDOOR USE EXTENSION CORDS.** When tool is used outdoors, use only extension cords intended for use outdoors and so marked.
17. **STAY ALERT.** Watch what you are doing, use common sense. Don't operate tool when you are tired.
18. **CHECK DAMAGED PARTS.** Before further use of the tool, a guard or other part that is damaged should be carefully checked to determine that it will operate properly and perform its intended function. Check for alignment of moving parts, binding of moving parts, breakage of parts, mounting, and any other conditions that may affect its operation. A guard or other part that is damaged should be properly repaired or replaced by an authorized service center unless otherwise indicated elsewhere in this instruction manual. Have defective switches replaced by authorized service center. Don't use tool if switch does not turn it on and off.
19. **GUARD AGAINST ELECTRIC SHOCK.** Prevent body contact with grounded surfaces. For example; pipes, radiators, ranges, refrigerator enclosures.
20. **REPLACEMENT PARTS.** When servicing, use only identical replacement parts.

VOLTAGE WARNING: Before connecting the tool to a power source (receptacle, outlet, etc.) be sure the voltage supplied is the same as that specified on the nameplate of the tool. A power source with voltage greater than that specified for the tool can result in **SERIOUS INJURY** to the user — as well as damage to the tool. If in doubt, **DO NOT PLUG IN THE TOOL.** Using a power source with voltage less than the nameplate rating is harmful to the motor.

IMPORTANT SAFETY INSTRUCTIONS

1. **SAVE THESE INSTRUCTIONS** — This manual contains important safety and operating instructions for battery charger.
2. Before using battery charger, read all instructions and cautionary markings on (1) battery charger, (2) battery, and (3) product using battery.
3. **CAUTION** — To reduce risk of injury, charge only MAKITA Battery 7000. Other types of batteries may burst causing personal injury and damage.
4. Do not expose charger to rain or snow.
5. Use of an attachment not recommended or sold by the battery charger manufacturer may result in a risk of fire, electric shock, or injury to persons.
6. To reduce risk of damage to electric plug and cord, pull by plug rather than cord when disconnecting charger.
7. Make sure cord is located so that it will not be stepped on, tripped over, or otherwise subjected to damage or stress.
8. An extension cord should not be used unless absolutely necessary. Use of improper extension cord could result in a risk of fire and electric shock. If extension cord must be used, make sure:
 - a. That pins on plug of extension cord are the same number, size, and shape as those of plug on charger;
 - b. That extension cord is properly wired and in good electrical condition; and
 - c. That wire size is at least as large as the one specified in the table below.

TABLE 1
RECOMMENDED MINIMUM AWG SIZE FOR
EXTENSION CORDS FOR BATTERY CHARGERS

Length of Cord (Feet)	25	50	100	150
AWG Size of Cord	18	18	18	16

9. Do not operate charger with damaged cord or plug — replace them immediately.
10. Do not operate charger if it has received a sharp blow, been dropped, or otherwise damaged in any way; take it to a qualified serviceman.
11. Do not disassemble charger or battery cartridge; take it to a qualified serviceman when service or repair is required. Incorrect reassembly may result in a risk of electric shock or fire.
12. To reduce risk of electric shock, unplug charger from outlet before attempting any maintenance or cleaning. Turning off controls will not reduce this risk.

ADDITIONAL SAFETY RULES FOR CHARGER & BATTERY CARTRIDGE

1. Do not charge Battery Cartridge when temperature is **BELOW 10°C (50°F)** or **ABOVE 40°C (104°F)**.
2. Do not attempt to use a step-up transformer, an engine generator or DC power receptacle.
3. Do not allow anything to cover or clog the charger vents.
4. Always cover the battery terminals with the battery cover when the battery cartridge is not used.
5. A battery short can cause a large current flow, overheating, possible burns and even a breakdown.
 - (1) Do not touch the terminals with any conductive material.
 - (2) Avoid storing battery cartridge in a container with other metal objects such as nails, coins, etc.
 - (3) Do not expose battery cartridge to water or rain.
6. Do not store the tool and Battery Cartridge in locations where the temperature may reach or exceed **50°C (122°F)**.
7. Do not incinerate the Battery Cartridge even if it is severely damaged or is completely worn out. The battery cartridge can explode in a fire.

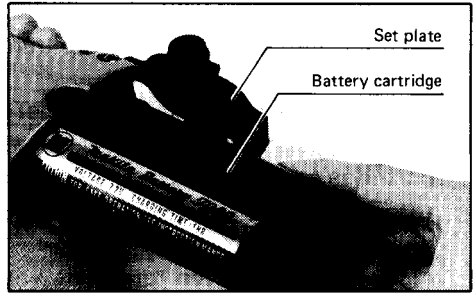
ADDITIONAL SAFETY RULES FOR CORDLESS SCREWDRIVER AND DRILL

1. Be aware that this tool is always in an operating condition, because it does not have to be plugged into an electrical outlet.
2. Always be sure you have a firm footing.
Be sure no one is below when using the tool in high locations.
3. Hold the tool firmly.
4. Keep hands away from rotating parts.
5. When drilling into walls, floors or wherever "live" electrical wires may be encountered, **DO NOT TOUCH ANY METAL PARTS OF THE TOOL!**
Hold the tool only by the plastic handle or plastic tool body to prevent electric shock if you drill into a "live" wire.
6. Do not leave the tool running. Operate the tool only when hand-held.
7. Do not touch the drill bit or the workpiece immediately after operation, they may be extremely hot and could burn your skin.

SAVE THESE INSTRUCTIONS.

Installing or removing battery cartridge

- Always switch off the tool before insertion or removal of the battery cartridge.
- To remove the battery cartridge, pull out the set plate on the tool and grasp both sides of the cartridge while withdrawing it from the barrel.
- To insert the battery cartridge, align the tongue on the battery cartridge with the groove in the housing and slip it into place. Snap the set plate back into place. Be sure to close the set plate fully before using the tool.

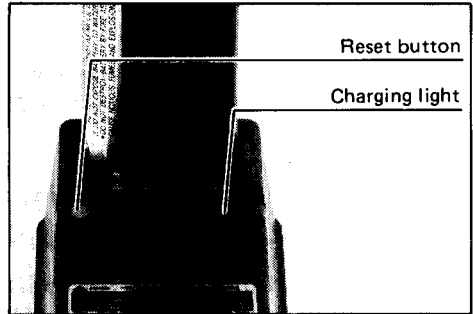


- Do not use force when inserting the battery cartridge. If the cartridge does not slide in easily, it is not being inserted correctly.

Charging

Plug the fast charger into your power source. Insert the battery cartridge so that the plus and minus terminals on the battery cartridge are on the same sides as their respective markings on the fast charger. Insert the cartridge fully into the port so that it rests on the charger port floor.

The charging light will come on and charging will begin. If the charging light does not come on, press the reset button. If the charging light goes out within 10 seconds even after pressing the reset button a couple of times, the battery cartridge is dead. (CAUTION: Wait for more than 5 seconds after the charging light goes out to press the reset button again.) Replace it with a new one. When the charging light goes out after about one hour, you may remove the fully charged battery cartridge. After charging, unplug the charger from the power source.

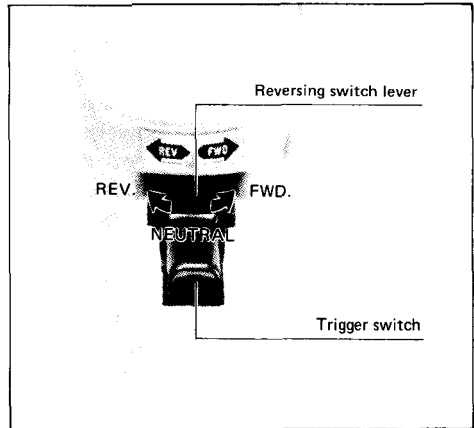


CAUTION:

- Your new battery cartridge is not charged. You will need to charge it before use.
- If you try to charge a cartridge from a just-operated tool, sometimes the charging light will not come on. If this occurs, let the cartridge cool off for a while. Then re-insert it and try to charge it once more.
- When you charge a new battery cartridge or a battery cartridge which has not been used for a long period, it may not accept a full charge. This is a normal condition and does not indicate a problem. You can recharge the battery cartridge fully after discharging it almost completely a couple of times.
- If you wish to charge two battery cartridges, allow 15 minutes between chargings on the fast charger.

Switch action

- Set the reversing switch lever just in front of the trigger switch to Forward (FWD) or Reverse (REV). Then pull the trigger to turn the tool ON and release it to turn it OFF. To change the direction of bit rotation, release the trigger, let the tool come to a complete stop, and then slide the switch lever to the opposite side. The trigger switch does not work if the switch lever is in the neutral position.

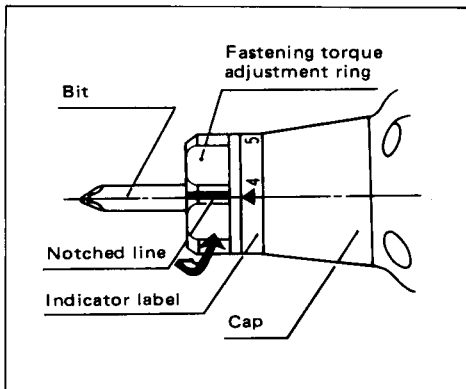


CAUTIONS:

- Before inserting the battery cartridge into the tool, always check to see that the trigger switch actuates properly and returns to the "OFF" position when released.
- When not operating the tool, keep the lever switch in the neutral position.
- Before operation, always check to be sure that the switch lever is set for the desired direction of rotation.
- Pulling the trigger hard when the lever switch is set to neutral can cause switch breakage.

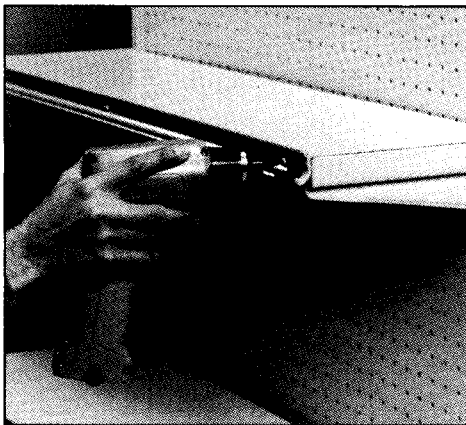
Fastening torque adjustment

- The fastening torque may be adjusted by turning the adjustment ring to align the notched line on the ring with a number on the indicator label. However, the clearance between the ring and the cap is 2.5 mm (1/8") maximum after one full turn, and the ring should not be forced beyond this point.
- Turning the adjustment ring in the arrow direction obtains a higher torque (HI side); turning in the opposite direction gives a lower torque (LOW side).
- Aligning the notched line with the number 4 on the indicator label provides the right torque for setting a 4 mm (1/8") screw. Aligning to the 5 and 6 is suitable to drive a 5 mm (3/16") and 6 mm (1/4") screw, respectively.
- If the adjust ring will not turn easily, switch the tool on and wait for the clutch to cut in before making the torque adjustment.
- To back out (remove) an already driven screw, use a little more torque than you used to drive the screw initially.
- Switch off as soon as the clutch cuts in. Continuous unnecessary clutching will loosen the adjust ring and make it impossible to obtain the desired torque.



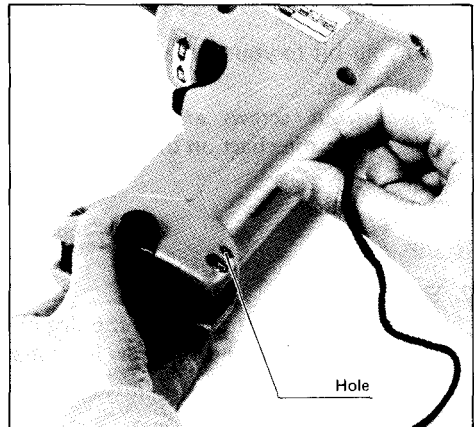
Grip

- The grip shown on the right is recommended.



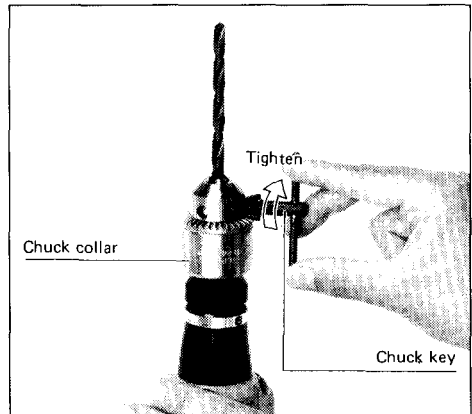
Hole

- The hole on the heel of the tool is a convenient way to carry it by a cord, hook or other means.



Drill chuck (Accessory)

- To install a drill chuck, remove the insert bit by a strong jerk, then a drill chuck can be replaced with the insert bit by a sharp push of the hand.
- To install the drill bit, place it in the chuck as far as it will go. Tighten the chuck collar by hand. Place the chuck key in each of three holes, and tighten clockwise.



- To remove the drill bit, place the chuck key into the chuck hole and turn counterclockwise.

CAUTIONS:

- Be sure that the battery cartridge has been removed from the tool.
- Always set the Forward-Reverse switch lever to NEUTRAL when installing, removing or adjusting bits or accessories.

Screwdriving

Match your bit to your screw.

1. Phillips bits

Select your screws and nominal diameter with the chart on the right.

Item	Nominal Diameter (mm)
Bit No.	Wood Screw
No. 1	2.1 – 2.7 (3/32" – 1/8")
No. 2	3.1 – 4.8 (1/8" – 3/16")
No. 3	5.1 (3/16")

2. Slotted bits

Select a slotted bit to match the slot on the screw heads. If the bit is too small for the screw slot, the bit and/or screw head may be damaged.

MAINTENANCE

CAUTION:

Always be sure that the tool is switched off and the battery cartridge is removed before attempting to perform inspection or maintenance.

To maintain product **SAFETY** and **RELIABILITY**, repairs, maintenance and adjustment should be performed by Makita Authorized or Factory Service Centers, always using Makita replacement parts.

ACCESSORIES

CAUTION:

These accessories or attachments are recommended for use with your Makita tool specified in this manual. The use of any other accessories or attachments might present a risk of injury to persons. The accessories or attachments should be used only in the proper and intended manner.

- **Charger 12V for car**
Model DC7112
 Part No. 113109-0



- **Battery cartridge 7000**
 Part No. 632002-4



- **Battery cover**
 Part No. 414938-7



- **Drill chuck S10**



Drill chuck attachment set
 (Part No. 191448-8)

- **Chuck key S10**
 Part No. 763419-1



- **Keyless drill chuck**
 Part No. 192077-0



● **Bits**

	Size	Part No.
Phillips	#2	784214-0A
	#3	784215-0A
Slotted	#5F	784010-0A
	#7F	784011-0A
Square drill bit		784606-0A



- **Fast charger**
Model DC7100
 Part No. 113086-6



- **Tool holster**
 Part No. 823033-3D



Has storage space for extra bits.

● **Carrying case**

Steel case
Part No. 823087-3

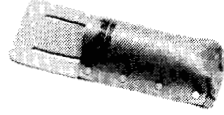


Plastic case
Part No. 181428-2

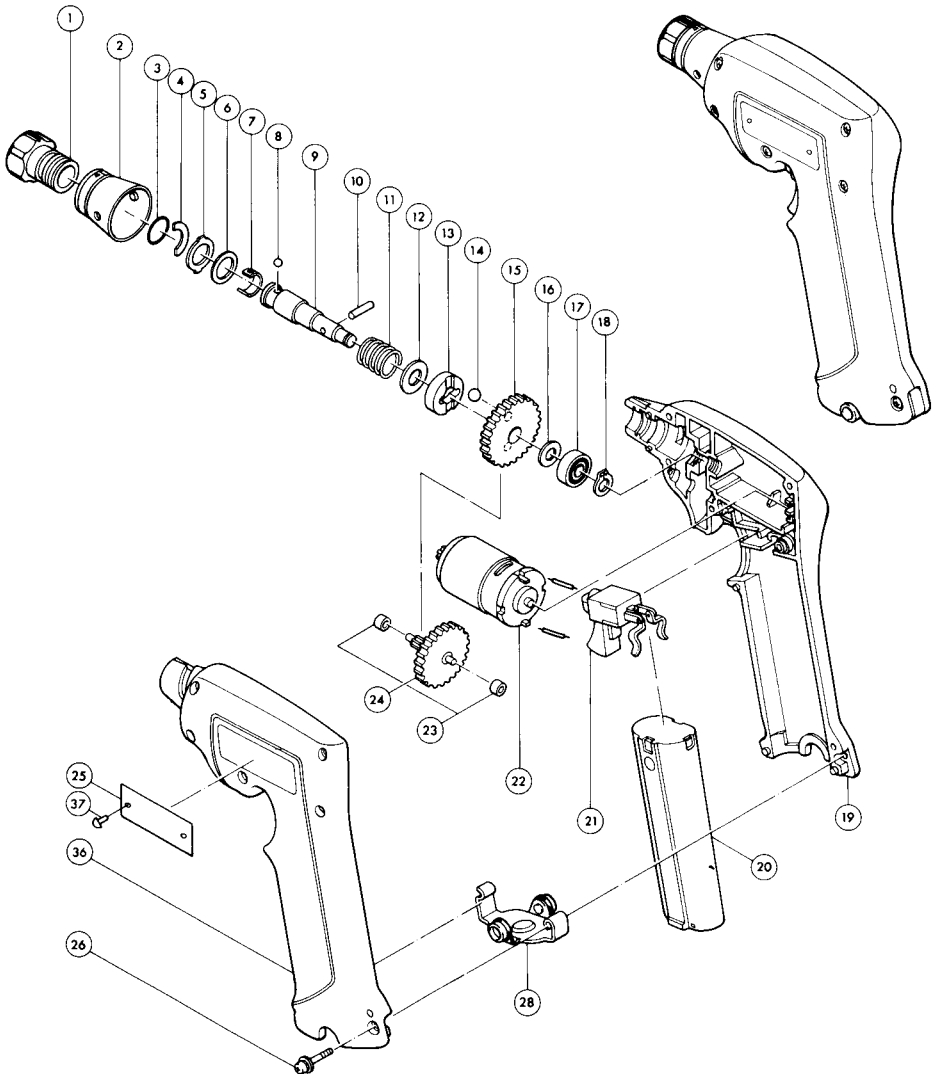


● **Battery holster**

Holster holds
extra battery.
Part No. 823033-3C



CORDLESS SCREWDRIVER Model 6710D



Note: The switch and other part configurations may differ from country to country.

ITEM NO.	NO. USED	DESCRIPTION	ITEM NO.	NO. USED	DESCRIPTION
MACHINE			MACHINE		
1	1	Torque Adjust Ring 20	16	1	F. Washer 8
2	1	Cap	17	1	Ball Bearing 608LLB
3	1	O Ring 16	18	1	Retaining Ring S-8
4	1	Guide Plate	19	1	Housing Set (With Item 36)
5	1	Lock Washer 14	20	1	Battery 7000
6	1	F. Washer 14	21	1	Switch
7	1	Leaf Spring	22	1	Motor
8	1	Steel Ball 3.5	23	2	Plane Bearing 3
9	1	Spindle	24	1	Gear 9-84
10	1	Pin 4	25	1	Name Plate
11	1	Compression Spring 14	26	7	P. H. Screw M4x22 (With Washer)
12	1	T. Washer 10	28	1	Set Plate
13	1	Clutch Cam	36	1	Housing Set (With Item 19)
14	2	Steel Ball 6.4	37	2	Rivet 0-5
15	1	Spur Gear 86			

Note: The switch and other part specifications may differ from country to country.

MAKITA LIMITED ONE YEAR WARRANTY

Warranty Policy

Every Makita tool is thoroughly inspected and tested before leaving the factory. It is warranted to be free of defects from workmanship and materials for the period of ONE YEAR from the date of original purchase. Should any trouble develop during this one-year period, return the COMPLETE tool, freight prepaid, to one of Makita's Factory or Authorized Service Centers. If inspection shows the trouble is caused by defective workmanship or material, Makita will repair (or at our option, replace) without charge.

This Warranty does not apply where:

- repairs have been made or attempted by others;
- repairs are required because of normal wear and tear;
- The tool has been abused, misused or improperly maintained;
- alterations have been made to the tool.

IN NO EVENT SHALL MAKITA BE LIABLE FOR ANY INDIRECT, INCIDENTAL OR CONSEQUENTIAL DAMAGES FROM THE SALE OR USE OF THE PRODUCT. THIS DISCLAIMER APPLIES BOTH DURING AND AFTER THE TERM OF THIS WARRANTY.

MAKITA DISCLAIMS LIABILITY FOR ANY IMPLIED WARRANTIES, INCLUDING IMPLIED WARRANTIES OF "MERCHANTABILITY" AND "FITNESS FOR A SPECIFIC PURPOSE," AFTER THE ONE-YEAR TERM OF THIS WARRANTY.

This Warranty gives you specific legal rights, and you may also have other rights which vary from state to state. Some states do not allow the exclusion or limitation of incidental or consequential damages, so the above limitation or exclusion may not apply to you. Some states do not allow limitation on how long an implied warranty lasts, so the above limitation may not apply to you.

Makita Corporation

3-11-8, Sumiyoshi-cho,
Anjo, Aichi 446 Japan

883548D067

PRINTED IN JAPAN
1992 — 4 — N

Free Manuals Download Website

<http://myh66.com>

<http://usermanuals.us>

<http://www.somanuals.com>

<http://www.4manuals.cc>

<http://www.manual-lib.com>

<http://www.404manual.com>

<http://www.luxmanual.com>

<http://aubethermostatmanual.com>

Golf course search by state

<http://golfingnear.com>

Email search by domain

<http://emailbydomain.com>

Auto manuals search

<http://auto.somanuals.com>

TV manuals search

<http://tv.somanuals.com>