

**Lucent Technologies**  
Bell Labs Innovations



# **TransTalk™ 9000**

## **Digital Wireless System**

### MDW 9030P Wireless Pocketphone Installation and Use

503-801-160  
Comcode 107972010  
Issue 2  
March 1997

Copyright ©1997 Lucent Technologies  
All Rights Reserved  
Printed in U.S.A.

Lucent Technologies 503-801-160  
Comcode 107972010  
Issue 2  
March 1997

### **Notice**

Every effort was made to ensure that the information in this book was complete and accurate at the time of printing. However, information is subject to change. The pictures in this book are for illustrative purposes only; your actual hardware may look slightly different.

### **Federal Communications Commission (FCC) and Industry Canada (IC) Information**

For details, see Appendix B.

### **Security**

Toll fraud, the unauthorized use of your telecommunications system by an unauthorized party (for example, persons other than your company's employees, agents, subcontractors, or persons working on your company's behalf) can result in substantial additional charges for your telecommunications services. You are responsible for the security of your system. There may be a risk of toll fraud associated with your telecommunications system. You are responsible for programming and configuring your equipment to prevent unauthorized use. Your system administrator should read all documents provided with this product to fully understand the features that can introduce the risk of toll fraud and the steps that can be taken to reduce that risk. Lucent Technologies does not warrant that this product is immune from or will prevent unauthorized use of common-carrier telecommunication services or facilities accessed through or connected to it. Lucent Technologies will not be responsible for any charges that result from such unauthorized use.

### **Trademarks**

TransTalk is a trademark of Lucent Technologies and DEFINITY, MERLIN, MERLIN LEGEND, PARTNER, and SYSTIMAX are registered trademarks of Lucent Technologies. Supra is a registered trademark of Plantronics, Inc.

### **Warranty**

Lucent Technologies provides a limited warranty for this product; see Appendix A.

### **Ordering Information**

The order number for this book is 503-801-160. The order number for the *MDW 9030P Wireless Pocketphone Quick Reference* is 503-801-161. To order additional copies of these reference materials, call 1 800 457-1235 or 1 317 361-5353. To order parts and accessories, see "Ordering Replacement & Optional Parts" in Chapter 4.

### **Customer Support**

In the continental U.S., call 1 800 628-2888 if you need assistance when using your wireless phone with a PARTNER, MERLIN, or MERLIN LEGEND system. Consultation charges may apply. For all other systems, follow the procedure you normally use to get support for your communications system.

Outside the continental U.S., contact your Lucent Technologies Representative or local Authorized Dealer.

---

# Contents

---

<b>1</b>	<b>Introduction</b>	<b>1-1</b>
	About TransTalk™ 9000 Products	1-1
	What Is a Wireless Phone?	1-1
	TransTalk 9000 System	1-1
	About the MDW 9030P Pocketphone	1-3
	Privacy Information	1-3
	Where Can You Use Your Pocketphone?	1-3
	Parts List	1-4
	Additional Parts	1-5
	Spare Battery and Headset	1-6

---

<b>2</b>	<b>Installing the MDW 9030P Pocketphone</b>	<b>2-1</b>
	Important Safety Instructions	2-1
	Guidelines for Safe and Efficient Operation	2-2
	Basic Safety Precautions for Installation and Use	2-3
	Additional Safety Instructions for Installation Personnel	2-4
	AC Outlet Check	2-5
	Radio Modules and Carriers	2-6
	Key Components	2-7
	Positioning a Radio Module or Carrier(s)	2-9
	Wireless Test Mode	2-11
	Installing a Single Radio Module	2-13
	Setting the Power Level	2-15
	Setting the Control/Expansion DIP Switch	2-17
	Installing a Single Carrier on a Shelf or Desk	2-18
	Installing a Single Carrier on a Wall	2-21
	Installing Multiple Carriers	2-24
	Installation Self-Test	2-29
	Handset	2-30
	Inserting and Removing the Handset's Battery Pack	2-30
	Changing the Communications System Setting	2-31
	Filling Out the Handset Label	2-32

Battery Charger	2-33
Positioning the Battery Charger	2-33
Installing the Battery Charger	2-33
Inserting a Battery Pack into the Spare Battery Compartment	2-35
Removing a Battery Pack from the Spare Battery Compartment	2-35
Inserting the Handset into the Battery Charger's Handset Cradle	2-36
Removing the Handset from the Handset Cradle	2-36

---

<b>3</b>	<b>Using the MDW 9030P Pocketphone</b>	<b>3-1</b>
	Important Safety Instructions	3-1
	The Handset	3-1
	Handset Controls	3-2
	Column and Select Buttons	3-3
	Handset Display	3-4
	Volume Control	3-7
	Carrying Your Pocketphone	3-7
	Antenna	3-8
	Changing the Handset Settings	3-8
	Test Modes	3-12
	"Waking Up" the Phone	3-15
	Making a Call	3-15
	Answering a Call	3-15
	Manually Selecting a Line or Programmed Button	3-16
	Preselecting a Line	3-16
	Using a Headset	3-17
	The Battery Charger	3-19
	Battery Charger Features	3-19
	Extending Battery Life	3-21

---

<b>4</b>	<b>Maintaining the MDW 9030P Pocketphone</b>	<b>4-1</b>
	Important Safety Instructions	4-1
	Removing a Radio Module from the Carrier	4-1
	Swapping Extensions	4-3
	Replacing the Antenna	4-4
	Ordering Replacement & Optional Parts	4-5

---

<b>5</b>	<b>Troubleshooting</b>	<b>5-1</b>
	Procedures	5-1
	Installation Problems	5-1
	Handset Problems	5-4
	Battery Problems	5-6
	Voice Quality Problems	5-7
	Range Problems	5-10
	Battery Charger Problems	5-13

---

<b>6</b>	<b>MDW 9030P Pocketphone Compatibility</b>	<b>6-1</b>
	Programming and Call Handling Instructions	6-1
	Programming Features for PARTNER, MERLIN, and MERLIN LEGEND Systems	6-2
	Communications System Compatibility	6-3
	PARTNER Systems	6-3
	MERLIN Systems	6-5
	System 25, System 75, System 85, and DEFINITY Systems	6-9

---

	<b>Warranty and Repair Information</b>	<b>A-1</b>
	Lucent Technologies Limited Warranty and Limitation of Liability	A-1
	Limitation of Liability	A-2
	Repair Information	A-2
	In-Warranty Repairs	A-2
	Post-Warranty Repairs	A-3

---

**B**                    **Regulatory Information**                    **B-1**

---

**C**                    **Specifications**                    **C-1**

---

**IN**                    **Index**                    **IN-1**

---

**Battery Charger Wall-Mounting Template**                    **Last Page**

---

# Introduction

# 1

---

## About TransTalk™ 9000 Products

Congratulations on the purchase of your new TransTalk 9000 Digital Wireless System **MDW 9030P Pocketphone**. MDW stands for "Multi-Line Digital Wireless." The MDW 9030P Pocketphone is the latest addition to the TransTalk 9000 family of wireless products, which also includes the MDW 9000 Telephone and the MDW 9010 Telephone. All of these phones are designed to Lucent Technologies' high standards for convenience, reliability, and innovation.

TransTalk 9000 products are designed to work with your communications system (PARTNER , PARTNER II, PARTNER Plus, MERLIN , MERLIN II, MERLIN Plus, MERLIN LEGEND , System 25, System 75, System 85, or DEFINITY ) to provide wireless flexibility.

## What Is a Wireless Phone?

A wireless phone has no handset cord and no telephone line cord, so it is portable. This portability lets you move around freely, without giving up the features of a wired phone. With a wireless phone, you can make and receive calls even when you are away from your desk, thus remaining accessible and responsive to your customers and coworkers as you move around your work area. Time-sensitive work issues will not need to wait until you are back at your desk, and you can reduce the number of (sometimes costly) phone calls you must return.

## TransTalk 9000 System

Your wireless phone's **handset** is linked with your communications system through a matching **radio module**, *not* through the **battery charger** where the handset sits for charging. Each handset can be used only with the radio module packaged with the handset. The handset and the radio module each have the same unique security code and serial number (on the bottom of the radio module and inside the battery compartment of the handset) to identify the matching pair. And there is built-in and secure automatic registration between the handset and radio module, so that your system is ready to use after powering up.

Your TransTalk system may have from 1 to 18 wireless phones. In order to use multiple wireless phones within the same zone (area of coverage), you also need a **carrier** (also known as a backplane). A carrier holds up to six radio modules, and synchronizes radio signals for proper operation of multiple phones, ensuring consistent voice quality and range. Up to three carriers can be linked to support up to 18 wireless phones in a single zone; linked carriers are automatically synchronized with each other.

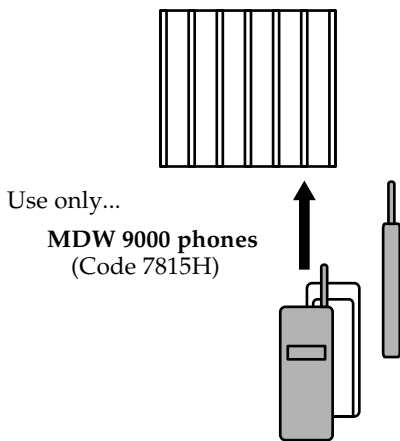
The TransTalk 9000 system enables you to use several different phone and carrier models in the same zone, but there are some compatibility issues to consider. You need to know the following:

- The name of the MDW phone (9000, 9010, or 9030P), located in the battery compartment of the handset. (For an MDW 9000 phone, you also need to know the Apparatus Code, also located in the battery compartment of the handset.)
- The model number of your carrier, located on the left side of the carrier.

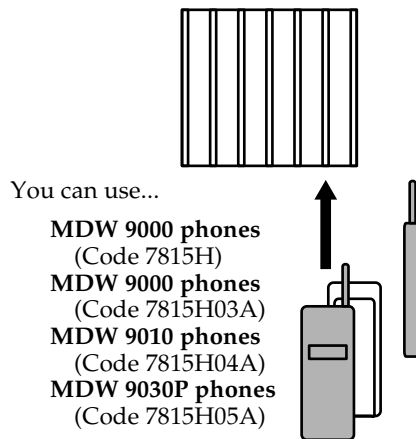
The following illustration shows which phone models and carriers can be used together:

### Single Carrier Installation

If you have a **Model 117A1 Carrier...**



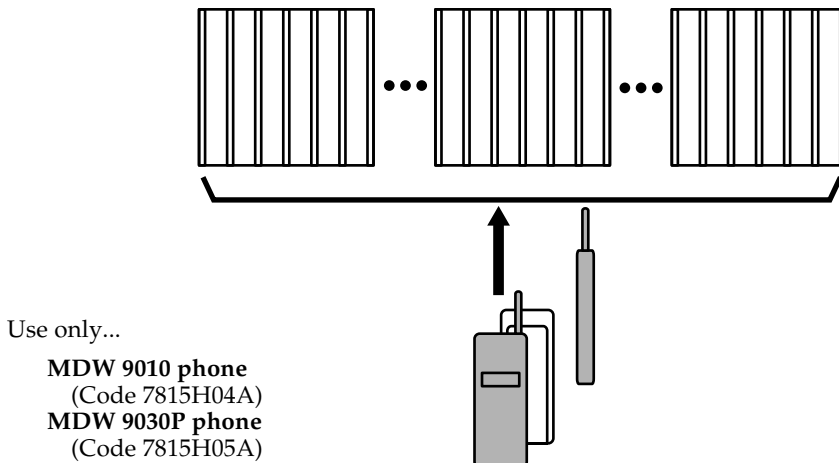
If you have a **Model 117A1A Carrier, Model 117A2 Carrier, or Model 117A3 Carrier...**



**Note:** You can use Code 7815H phones *together* with other phones *only* in a Model 117A1A, Model 117A2, or Model 117A3 *single* carrier installation.

### Multiple (3 Max) Carrier Installation

If you have multiple **Model 117A2 or Model 117A3 System Expansion Carriers** (or both)...



**Note:** Multiple carrier installations *must* use MDW 9010 phones and/or MDW 9030P phones. MDW 9000 phones cannot be used in multiple carrier installations.



---

## **About the MDW 9030P Pocketphone**

The MDW 9030P Pocketphone is not only wireless, but it is also lightweight and pocket-sized. A removable carrying clip and a lanyard are provided with the handset. You can use either the clip or the lanyard for hands-free portability. The MDW 9030P also has a headset connector to accommodate an optional headset.

You can be notified of an incoming call by either an alerter (which rings) or a vibrator, or both. There is a five-line display that shows information you would see on a wired system phone's display (with the exception of the time ), icons representing various handset functions (such as the alerter and the vibrator), and the status of up to 12 telephone lines. The MDW 9030P provides Redial, Hold, Mute, Transfer, and Conference buttons, and provides the capability to program additional features on unused line buttons.

## **Privacy Information**

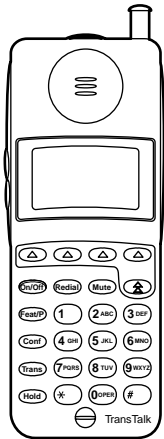
The MDW 9030P Pocketphone is designed to protect the privacy and security of your voice conversation. The phone uses continuously changing radio frequencies and digital encoding techniques to make it impossible for eavesdropping to occur through the use of commercially available analog radio scanners.

## **Where Can You Use Your Pocketphone?**

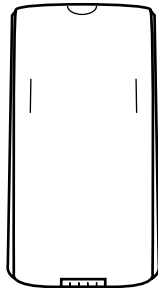
The MDW 9030P Pocketphone can be used in most typical office buildings, in warehouses, malls, and even in outdoor areas such as loading docks. **The location of the radio module greatly affects the performance of the MDW 9030P, so you should use the Wireless Test Mode described in Chapter 2 to determine the best place to install the radio module.** Repeat the tests several times with the radio module positioned in a different location each time. To perform the tests, all you need is an electrical outlet for the radio module and a charged battery pack in the handset.

## Parts List

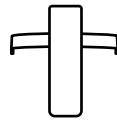
Along with this book and the MDW 9030P Pocketphone *Quick Reference*, the box should contain the items shown below. If it does not, call for customer support as described on the inside front cover of this book.



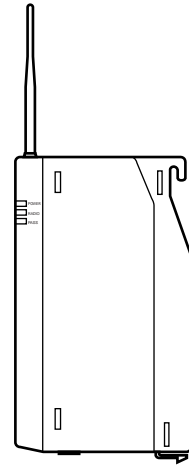
Handset



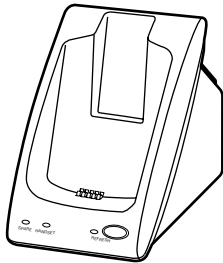
Battery Pack



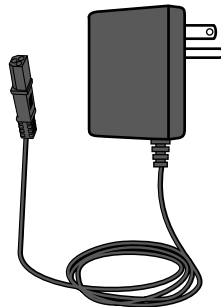
Carrying Clip



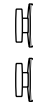
Radio Module



Battery Charger



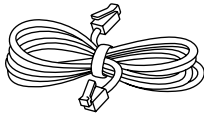
11-foot (3.4 m)  
Power Cord/AC Adapter for  
Battery Charger



Wall Spacers (2)



Philips Head  
Wood Screws (2)



8-foot (2.4 m)  
Telephone Line Cord

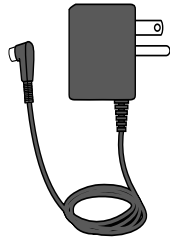


18" (0.5 m) Lanyard

## Additional Parts

The following parts *may* be necessary, depending upon your installation.

This Kit of Parts is required only when a single (stand-alone) MDW 9030P Pocketphone is installed:



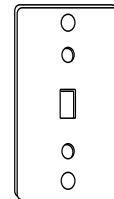
Radio Module 11-foot (3.4 m)  
Power Cord/AC Adapter



Rubber Feet (4)

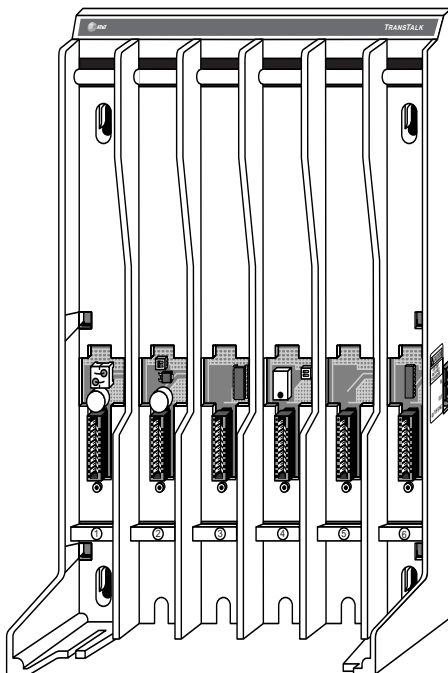


Philips Head  
Wood Screws (2)



Wall Mounting  
Plate

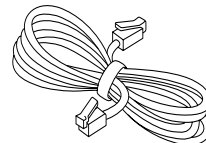
These additional parts are required when two or more MDW 9030P Pocketphones are installed in the same zone:



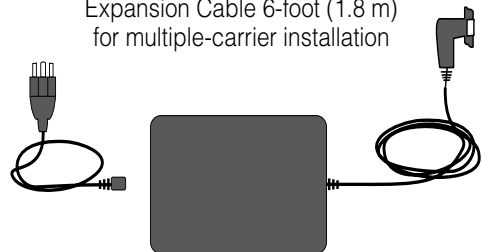
Carrier



Philips Head  
Wood Screws (4)



Expansion Cable 6-foot (1.8 m)  
for multiple-carrier installation



Carrier Assembly 25-foot (7.6 m)  
Power Cord and Standard AC Adapter

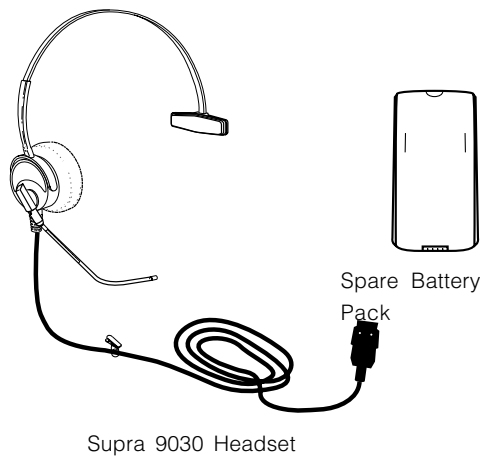
For information about ordering parts, see "Ordering Replacement & Optional Parts" in Chapter 4.

---

## Spare Battery and Headset

One nickel metal hydride battery pack, which provides up to 3 hours of talk time, comes with your MDW 9030P Pocketphone. For extended phone usage, you should purchase an additional battery pack. You can store the extra battery pack in the Spare battery compartment of the battery charger. Then when the battery pack in the handset is low, you can switch battery packs.

To help you answer calls, an optional Supra® 9030 headset can be attached to the connector on the bottom of the handset to allow hands-free conversation. For instructions for connecting the headset, see "Using a Headset" in Chapter 3.



For ordering information, see "Ordering Replacement & Optional Parts" in Chapter 4.

---

# Installing the MDW 9030P Pocketphone

# 2

---

## Important Safety Instructions

This book contains instructions related to safety labels on the product:

**⚠** *The exclamation point within an equilateral triangle is intended to alert the user to the presence of important operating and maintenance (servicing) instructions in the literature accompanying the product.*

**⚠** **WARNING** indicates the presence of a hazard that can cause severe or fatal personal injury if the hazard is not avoided.

**⚠** **CAUTION** indicates the presence of a hazard that *will* or *can* cause minor personal injury or property damage if not avoided.

This phone is designed to provide trouble-free performance without any special maintenance procedures. To reduce the risk of accidental damage:

- Keep the phone in an area free of dust, smoke, and moisture; do not block the air vents by placing objects on top of the radio module.
- Do not place the phone or battery charger near a heating duct, radiator, or other heat source, and do not drop or expose it to excessive shock or vibration.
- Unplug the battery charger, radio module, or carrier if its power cord is damaged, if liquid is spilled into it, or if its housing becomes cracked or otherwise damaged.
- To clean your phone, wipe the outside housing with a soft, dust-free cloth. If absolutely necessary, you may use a cloth *slightly* dampened with a mild soap and water solution. Dry quickly with a soft cloth.

**⚠ CAUTION:**

Your phone contains sensitive electronic parts. Never submerge it in any kind of liquid, and never use liquid or aerosol cleaners, detergents, alcohols, solvents, abrasive cleaners, or an excessive amount of water when cleaning the housing and faceplate. To do so could result in irreparable damage.

---

## **Guidelines for Safe and Efficient Operation**

Your wireless telephone is a radio transmitter and receiver. When the phone is turned on, it receives and sends out radio frequency (RF) energy. The phone operates in the frequency range of 902–928 MHz. Your hand-held wireless telephone uses the digital TDD mode. The power is transmitted in bursts at a 200 Hz pulsed repetition rate. The peak envelope transmit power is 325 mW or less.

### **Exposure to Radio Frequency Energy**

The design of your wireless telephone complies with the latest Institute of Electrical and Electronic Engineers (IEEE) and the American National Standards Institute (ANSI) safety levels with respect to human exposure to RF energy. Of course, if you would like to limit RF exposure even further, you may choose to control the duration of your calls.

### **Cardiac Pacemakers**

#### **⚠ CAUTION:**

The MDW 9030P handset is a radio device and, like all radio devices, should not be placed next to a pacemaker.

Preliminary studies performed at the US Food and Drug Administration (FDA) and elsewhere have shown that when digital cellular telephones are placed very close to implanted cardiac pacemakers, interference with the operation of the implanted pacemaker can occur. These preliminary studies show that interference does not occur when there is a reasonable distance between the telephone and the implanted pacemaker and stops when the phone is turned off or moved so that it is more than 6 inches (15 cm) from the pacemaker. Digital cellular telephones operate at .6 W. TransTalk wireless telephones operate at a lower peak power of 325 mW or less (100 mW, on an average).

Until more is known, the FDA suggests that people with pacemakers may want to take some simple precautions when using or carrying digital wireless telephones to ensure that there is ample distance between the digital wireless telephone and the pacemaker—by not placing the phone next to the pacemaker implant (for example, in a shirt or a coat pocket directly over the pacemaker implant) when the phone is on and ready to receive a call and holding it to the ear opposite the side of the body where the pacemaker is implanted when using the phone. Consult your physician or medical device manufacturer to determine if additional precautions are necessary.

### **Hearing Aid Compatibility**

Most electronic equipment, such as equipment in hospitals is shielded from RF energy. However RF energy from wireless telephones may affect some electronic equipment.

Although the TransTalk wireless telephone is compatible with inductively-coupled hearing aids, you should consult your physician or hearing aid manufacturer to determine if your hearing aid is adequately shielded from external RF energy. The operation of inadequately shielded medical devices may be adversely affected when a portable wireless telephone is operating in close proximity.

---

## **Basic Safety Precautions for Installation and Use**

Always follow these basic safety precautions when installing or using this product to reduce risk of injury from fire or electric shock.



### **WARNING:**

Installation of this equipment for In-Range Out of Building (IROB) conditions requires the use of protectors. See the documentation that came with your communications system for more information.



### **CAUTION:**

This equipment is for installation on Lucent Technologies PARTNER, PARTNER Plus, PARTNER II, MERLIN, MERLIN Plus, MERLIN II, MERLIN LEGEND, System 25, System 75, System 85, and DEFINITY communications systems only.

- Read and understand all instructions in this book before using this product.
- Observe all warnings and instructions marked on the product.
- Do not use the product near water or when you are wet. If the product comes in contact with any liquids, unplug the power cord and telephone line cords immediately. Do not plug the product back in until it has dried thoroughly.
- Never push objects of any kind into this product through housing slots, since the objects may touch hazardous voltage points or short out parts that could result in a risk of electric shock. Never spill liquid of any kind on the phone.
- If you suspect a gas leak, report it immediately, but use a phone away from the area in question. The phone's electrical contacts could generate a tiny spark. While unlikely, it is possible that this spark could ignite a heavy concentration of gas. This product is not approved for use in areas labeled by the Occupational Safety and Health Administration (OSHA) as "explosive environments." Only "Explosive Atmosphere Telephones" may be used in such hazardous environments.
- Unplug this product from wall outlets and telephone jacks before cleaning. Clean exposed parts with a soft, damp cloth. Do not use liquid or aerosol cleaners.
- Unplug this product from the wall outlet, remove the telephone line cord from the modular wall jack or communications system switch/control unit, and refer servicing to qualified service personnel under the following conditions:
  - When the power cord or plug is damaged or frayed.
  - If the product does not operate normally by following the operating instructions. Adjust only those controls that are covered by the operating instructions because improper adjustment of other controls may result in damage and will often require extensive work by a qualified technician to restore the product to normal operation.
  - If the product has been dropped and the housing has been damaged.
- This product should be serviced by (or taken to) a qualified service center when service or repair work is required. Do not open the product, there are no user-serviceable components inside.
- Always unplug the power cord/AC adapter for the carrier or carriers from the wall outlet when:
  - Removing a radio module
  - Moving a radio module to a new slot in the carrier

- 
- Installing a new radio module
  - Connecting or disconnecting telephone line cords
  - Adding a carrier
  - Use only the type of battery pack shipped with this product.

**▲ WARNING:**

The rechargeable battery pack may contain elements that are harmful to the environment (for example, nickel). Do not burn or puncture the battery pack. Like other batteries of this type, if it is burned or punctured, it could release toxic material which could cause injury. Do not dispose of it in household garbage. For information about recycling or proper disposal, consult your local solid waste (garbage) collection or disposal organization.

### **Additional Safety Instructions for Installation Personnel**

---

- Install the product to meet all environmental and electrical requirements listed in Appendix C.
- All wiring that connects to this equipment and becomes part of the building wiring must be a minimum of CLASS 2 or UL (Underwriters Laboratories) Listed Communications cable.
- Do not install telephone wiring during a lightning storm.
- Do not install telephone jacks in a wet location unless the jack is specifically designed for wet locations. Never touch uninsulated telephone wires or terminals unless the telephone line has been disconnected at the network interface.
- Use caution when installing or modifying telephone lines.
- Install this product securely on a stable surface. Damage may result if the product falls.
- Never place this product near or over a radiator or heat register.
- Slots and openings in the housing and the back or bottom are provided for ventilation. To protect the housing from overheating, these openings must not be blocked or covered. Therefore, do not place the product on a bed, sofa, rug, or other similar surface. Also, do not place this product in an enclosed area unless proper ventilation is provided.
- Install this product in a protected location where no one can step on or trip over power cords and telephone line cords. Do not place objects on the cords that may cause damage or abrasion.
- Do not allow anything to rest on the power cord. Do not locate this product where the cord will be abused by persons walking on it. Do not overload wall outlets as this can result in the risk of fire or electric shock. Do not staple or otherwise attach the power cord to building surfaces.
- Use only the power supply (Comcode 847713583) shipped with this product for the battery charger.
- Use only the power supply (Comcode 847523404) shipped with this product for the radio module.



- Use only the power supply (Comcode 847224227) shipped with the carrier.
- Use only the correct power source. If you are not sure of the power supply to your location, consult your local power company.
- This product uses a 3-prong plug. Such plugs are designed for your safety. Do not attempt to defeat this purpose. If your wall outlet will not accept the plug, the outlet should be replaced by an electrician.

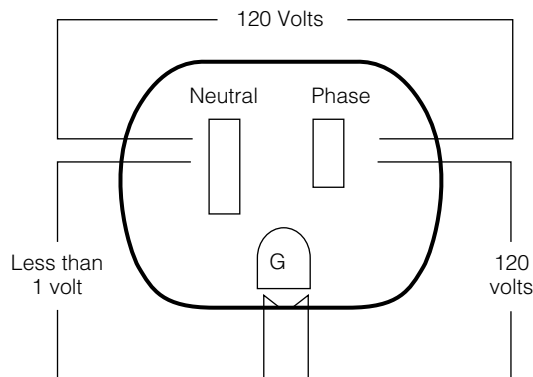
**⚠ WARNING: Risk of Electric Shock**

Failure to properly ground this product will result in a risk of electrical shock, which can cause serious personal injury. This product requires a 3-prong AC outlet for safe operation. You should have your outlet checked by a qualified electrician (see "AC Outlet Check" below) before connecting this equipment.

### **AC Outlet Check**

Have a qualified electrician check all of the outlets into which the MDW 9030P radio modules or carriers as well as the communications system switch/control unit will be plugged. The electrician should check that the hot, neutral, and ground wires are properly connected to the outlet by using a circuit tester.

The outlet can also be tested using a voltmeter by taking the measurements as shown:



If the outlet does not meet the electrical specifications for grounded outlets, your MDW 9030P Pocketphone may not operate properly.

**IMPORTANT:**

If there is no current to the outlet or the voltages are not correct, the problem should be corrected by a qualified electrician.

**Go to "Radio Modules and Carriers."**

---

## Radio Modules and Carriers

This section explains how to install radio modules and carriers. You should proceed through this section in the following order:

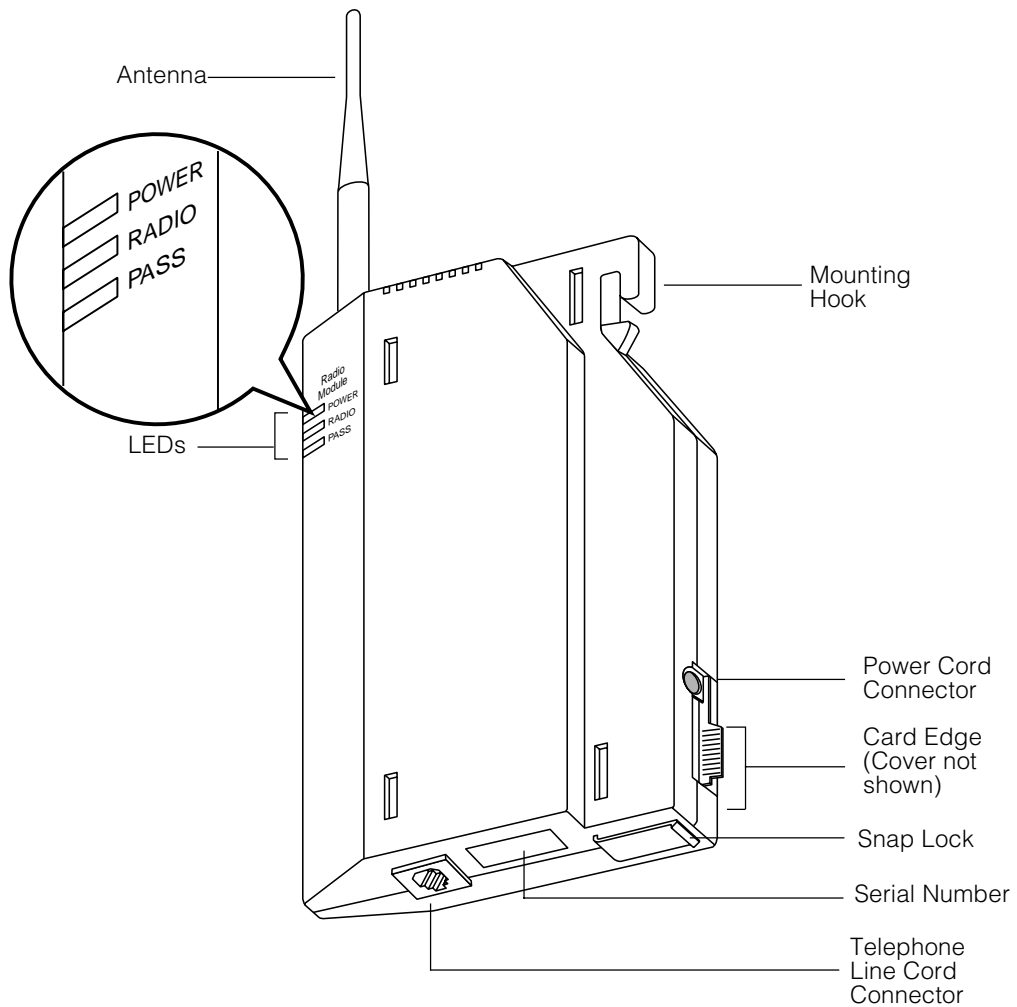
1. "Key Components"
2. "Positioning a Single Radio Module or Carrier(s)"
3. "Wireless Test Mode"
4. Choose one of the following paths, depending upon which components you are installing:
  - If you are installing a single radio module, go to "Installing a Single Radio Module."
  - If you are installing a single carrier (from two to six radio modules), go to "Setting the Power Level." Then go to either:
    - "Installing a Single Carrier on a Shelf or Desk" or
    - "Installing a Single Carrier on a Wall"
  - If you are installing multiple (up to three) carriers (from 7 to 18 radio modules), go to all of the following, in order:
    - a. "Setting the Power Level," then
    - b. "Setting the Control/Expansion DIP Switch," then
    - c. "Installing Multiple Carriers."
5. "Installation Self-Test"

### **NOTE:**

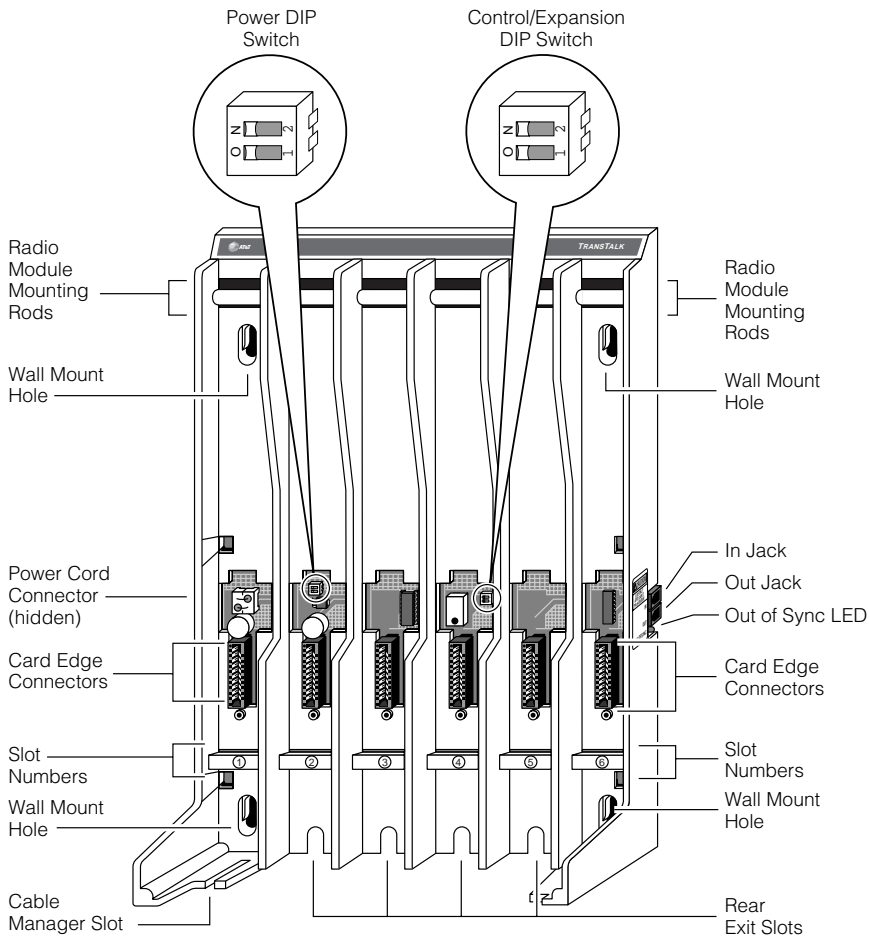
The illustrations in this chapter depict PARTNER system hardware; your hardware may differ from these illustrations.

## Key Components

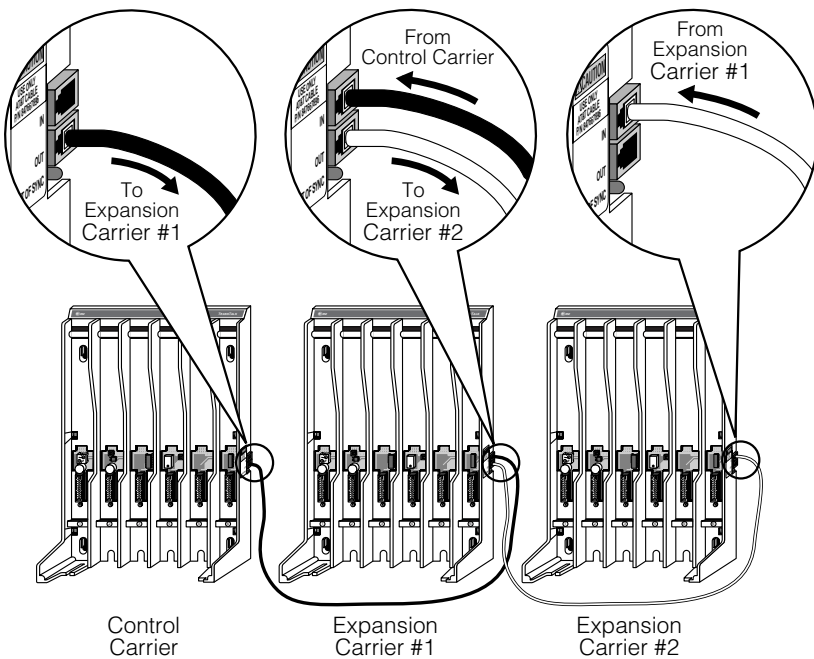
Each **radio module** communicates with a corresponding handset. The matching sets are identified by a serial number located on the bottom of the radio module and in the battery compartment of the handset.



A **carrier** is required when installing two or more MDW 9030P Pocketphones.



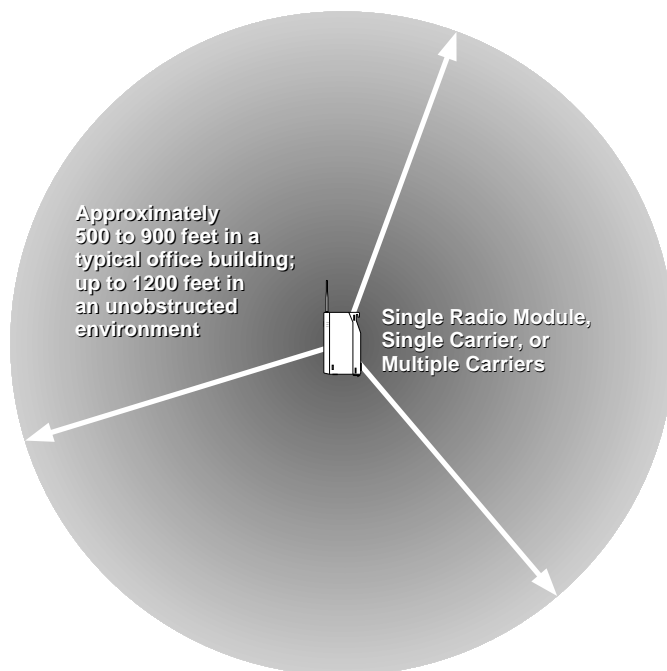
Using the **expansion cable** provided with each carrier, you can link up to three carriers.



---

## **Positioning a Radio Module or Carrier(s)**

Each of your handsets and its corresponding radio module operates within a single zone of coverage:



The range depends on your particular operating environment. For indoor use, walls between the handset and the radio module will reduce the phone's range. Avoid concentrations of structural metal, such as steel and aluminum, and reinforced concrete.

### **IMPORTANT:**

The MDW 9030P Pocketphone has a built-in testing feature that you can use before final installation to help determine proper placement of the radio module. To perform the tests, all you need is an electrical outlet for the radio module and a charged battery pack in the handset (you do not need a communications system switch/control unit). The tests are described in "Wireless Test Mode" later in this chapter.

## **General Positioning Rules**

**Failure to observe the following rules** regarding location and use **will result in poor performance of your MDW 9030P Pocketphone.**

- Position the radio module or carrier(s) in a central location, relative to the handset(s) usage area, leaving at least **6 feet (1.8 m)** between the radio module or carrier(s) and the communications system switch/control unit or other wired phones. If your switch/control unit is located in a remote location, you may have to run a telephone line cord from your switch/control unit to the centrally positioned radio module or carrier(s). The line cord maximum length is 1,000 feet (333 m) of 26-gauge cable.
- The radio module or carrier(s) should be placed high on the wall for optimum voice quality and range. Allow 6–12 inches (15.2–30.5 cm) of space between the top of the antenna on the radio modules and the ceiling.
- The radio module or carrier(s) should never be installed above a drop, suspended ceiling.

- The radio module or carrier(s) should not be within 3 feet (.9 m) of any large metal object, and should not have metal objects in the line of sight to the operating area of the handset.
- **The radio module or carrier(s) should not be within 6 feet (1.8 m) of equipment with microprocessors such as answering machines, personal computers, and fax machines; control units, communications system switches, or other phones (especially speakerphones); competing radio devices such as wireless bar-code scanners; electromagnetic equipment such as electric motors; or electrical main power feeds, junction boxes, circuit-breaker panels, fuse boxes, or 220-volt power lines.**
- The radio module or carrier(s) should *not* share the same power line as equipment with microprocessors such as answering machines, personal computers, and fax machines; or electromagnetic equipment such as electric motors.
- If your communications system uses an uninterruptible power supply, such as a backup generator, you may want to connect the radio module or carrier(s) to that power supply.

### **Additional Rules for Installing a Single Radio Module Only**

- Installing a single radio module on a shelf or desk is not recommended, because it greatly reduces the range and quality of the transmission.
- Install a single radio module within 3 feet (0.9 m) of either side of, and within 6 to 8 feet (1.8 to 2.4 m) above, a properly grounded 3-prong electrical outlet that is not controlled by an on/off switch.
- You can install a single radio module in a remote location using a telephone line cord to connect the radio module to the communications system switch/control unit. **IROBs must be used for out-of-building installations.**

#### **CAUTION:**

A radio module cannot be installed outdoors.

### **Additional Rules for Installing One or More Carriers**

- Install carrier(s) within 15 feet (5 m) of either side of, and within 6 to 8 feet (1.8 to 2.4 m) above, a properly grounded 3-prong electrical outlet that is not controlled by an on/off switch.
- **Choose a location where handset users will not approach the carrier(s) within a radius of 6 feet (1.8 m) for 1 or 2 carriers or 10 feet (3 m) for 3 carriers.**
- When installing multiple carriers:
  - Install multiple carriers 1 foot (0.3 m) optimally to 4 feet (1.2 m) apart.
  - Install multiple carriers on the same horizontal axis (do not install one carrier higher or lower than another).
  - Install the control carrier as the leftmost carrier, using only the expansion cables provided.
  - Slot 6 of a carrier that has another carrier to the right of it must always contain a radio module to pass the synchronization signal to the next carrier.

#### **CAUTION:**

Carrier(s) cannot be installed outdoors.

**Go to "Wireless Test Mode."**

## Wireless Test Mode

You can determine sound clarity, signal strength, and voice quality using Wireless Test Mode.

You should use Wireless Test Mode to help you locate the best place to install the radio module(s) to optimize the performance of your MDW 9030P Pocketphone. Repeat the tests several times, with the radio module positioned in a different location each time.

By performing the tests as you walk around the area in which the handset will be used, you can determine the handset's range and the voice quality throughout the area of coverage. To perform the tests, all you need is an electrical outlet for the radio module and a charged battery pack in the handset. You can perform the tests multiple times and in any order; and you can exit at any time by pressing (On/Off).

### NOTE:

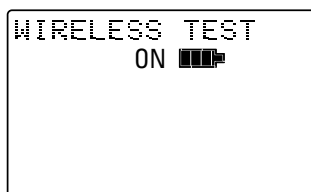
Ignore anything that displays if you press (4) or (5) while in Wireless Test Mode. These displays are for Lucent Technologies technicians' use only.

1. Make sure the handset is turned off.
2. Press and hold the Select button (▲) for three seconds.
3. While still holding (▲), press (On/Off).

The handset beeps twice, and the display shows the handset settings, indicating you are in Local Mode. (While in Local Mode, the MDW 9030P can still receive notification of incoming calls.)

4. Press "W" (Ⓜ) to enter Wireless Test Mode.

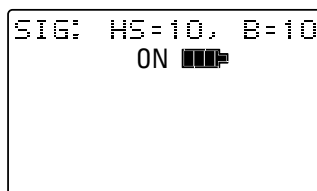
**WIRELESS TEST** appears on the top line of the handset display.



The handset beeps twice and vibrates, then you hear a simulated dial tone. This dial tone continues until you exit Wireless Test Mode. While in this mode, the MDW 9030P cannot make or receive calls.

5. To determine **sound clarity**, listen to the simulated dial tone as you walk around.  
A clear, steady tone indicates good sound clarity.
6. To determine **signal strength**, press (7).

The display shows the signal strength (SIG) for both the handset (HS) and the base (B) (the radio module) at the moment that (7) was pressed, using a number from 1 to 10, as shown in the following display.

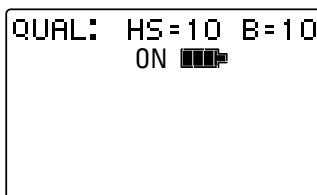


The higher the number, the stronger the signal, as shown in the following table. You can press **7** again to show a subsequent signal-strength reading. Each time you press **7**, you get a new reading.

Display Number	Signal Strength Is
10	Strong
9	Strong
8	Strong
7	Very good
6	Very good
5	Good
4	Good to Fair
3	Fair
2	Near end of range
1	Near end of range/loss of link

7. To determine **voice quality**, press **2**.

The display shows the voice quality (QUAL) for both the handset (HS) and the base (B) (the radio module) using a number from 1 to 10, as shown in the following display.



The higher the number, the better the voice quality, as shown in the table below. A low number may indicate potential interfering devices (such as another radio transmitter) in the area. You can press **2** again to show a subsequent voice-quality reading. Each time you press **2**, you get a new reading.

Display Number	Voice Quality Is
10	Very good
9	Very good/almost error free
8	Errors, but not noticeable in normal speech
7	Errors, but not noticeable in normal speech
6	Noticeable noise
5	Noticeable noise
4	Noisy but intelligible speech
3	Noisy but intelligible speech
2	Garbled speech
1	Unintelligible speech

8. To exit Wireless Test Mode and Local Mode, press **(On/Off)**.



Go to **one** of the following sections:

- **If installing one MDW 9030P Pocketphone, go to “Installing a Single Radio Module.”**
- **Otherwise, go to “Setting the Power Level.”**

## **Installing a Single Radio Module**

- **Install high on wall, leaving 6–12 inches (15.2–30.5 cm) between antenna and ceiling**
- **See “Key Components” earlier in this chapter for additional picture detail**

**1**

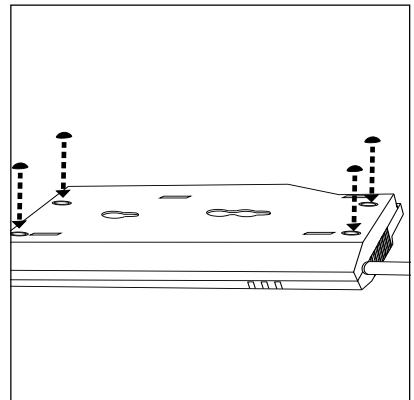
Perform the tests described in "Wireless Test Mode" earlier in this chapter to determine the optimal placement of the radio module. To perform the tests, all you need is an electrical outlet for the radio module and a charged battery pack in the handset.

**2**

Check to make sure the radio module's power cord is unplugged from the wall outlet before continuing.

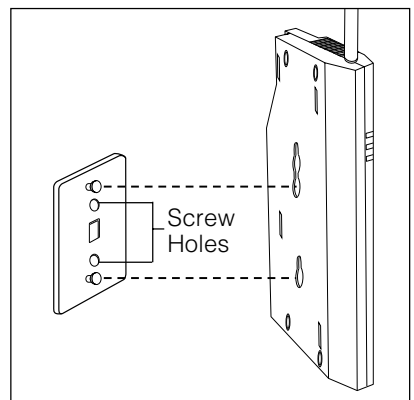
**3**

Detach the rubber feet from the shipping card. Apply them to marked areas on the underside of the radio module.

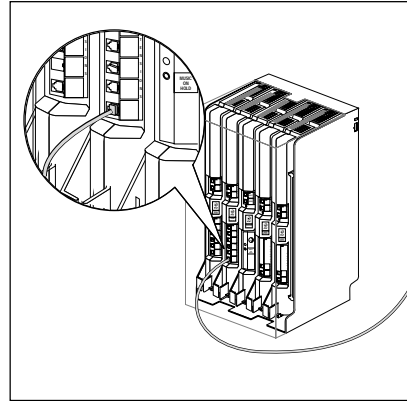


**4**

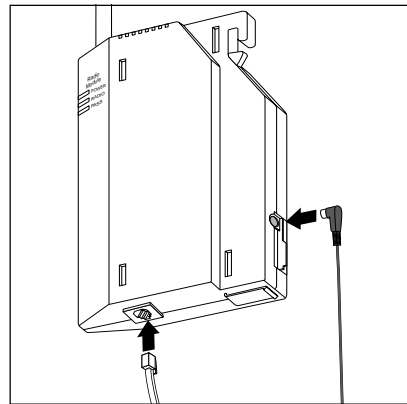
Place the wall-mounting plate against the wall. Choose a location backed by a wooden stud (if unavailable, use toggle bolts instead of the supplied wood screws). Lightly tap a nail into the wall to start holes. Then screw the plate flush to the wall. Place the radio module over the plate, then slide it downward to lock it into place. (**Note: Do not remove the plastic cap covering the radio module's card edge.**)



**5** Insert one end of the telephone line cord into an extension jack or terminal/station connector on your communications system switch/control unit (refer to your communications system manual for the proper location).

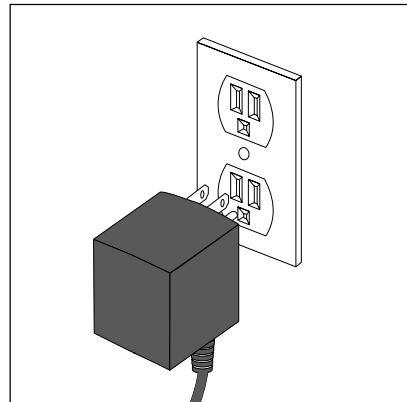


**6** Insert the radio module's power cord into the side of the radio module. Insert the other end of the telephone line cord into the bottom of the radio module.



**7** Plug the power cord/AC adapter into a properly grounded 3-prong wall outlet that is not controlled by an on/off switch.

**⚠ CAUTION:** Never connect or disconnect the telephone line cord while the radio module is plugged into the wall outlet.



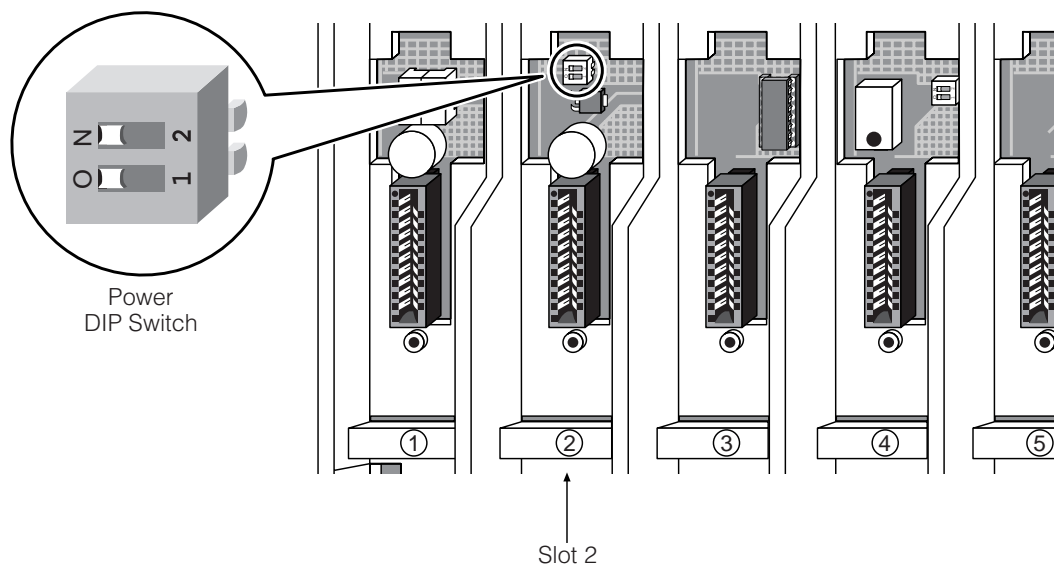
**Go to "Installation Self-Test."**

## Setting the Power Level

If you are installing one or more carriers in a strip mall, high-rise office building, or similar environment, the MDW 9030P Pocketphones may interfere with other wireless products in use.

- If this is the case, you may need to adjust the range of the carriers to prevent overlapping with the other wireless products; follow the instructions in this section.
- If this is not the case, skip this section and go to “Setting the Control/Expansion DIP Switch.”

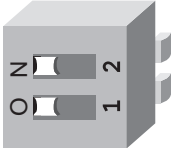
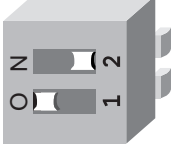
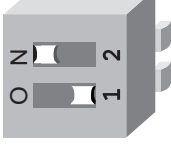
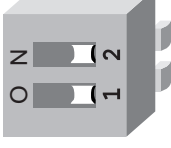
You may adjust the range by setting each carrier’s power DIP switch, located in Slot 2:



Use a nonmetallic, pointed object to set each carrier's DIP switch according to the following table.

**IMPORTANT:**

You *must* set the DIP switch for all of the carriers to the same setting.

Desired Range (Approximate)	Power DIP Switch Settings
500 to 900 feet (152 to 274 m)	
300 to 500 feet (91 to 152 m)	
150 to 300 feet (46 to 91 m)	
100 to 150 feet (31 to 46 m)	

Go to **one** of the following sections:

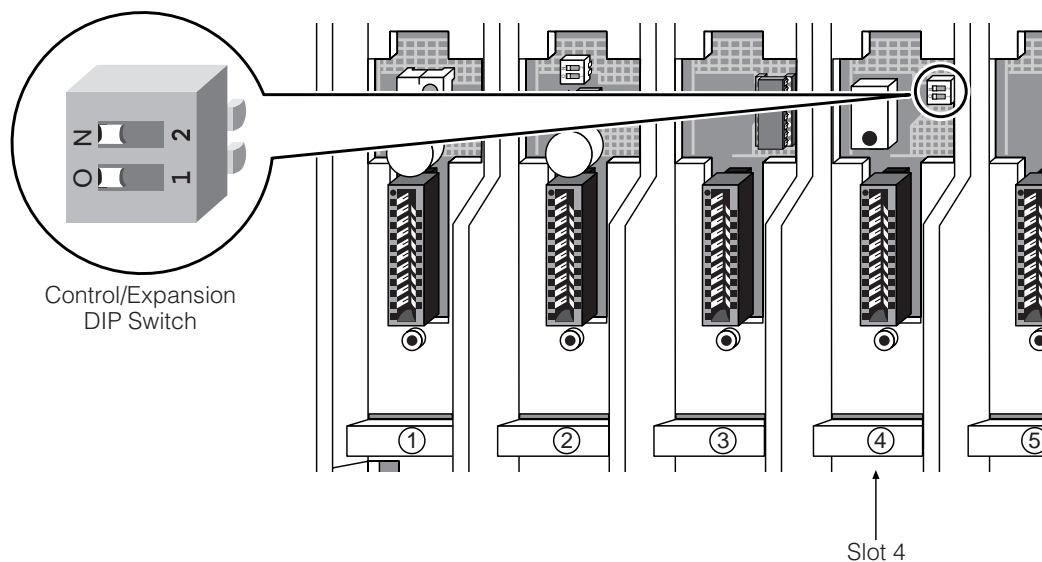
- **If installing multiple carriers, go to “Setting the Control/Expansion DIP Switch.”**
- **Otherwise, go to “Installing a Single Carrier on a Shelf or Desk” or “Installing a Single Carrier on a Wall.”**

## Setting the Control/Expansion DIP Switch

You must follow the instructions in this section if you are installing multiple carriers. Otherwise, skip to “Installing a Single Carrier on a Shelf or Desk” or “Installing a Single Carrier on a Wall.”

If you are installing multiple carriers, you must designate one carrier (the leftmost carrier) as the **control** carrier and the remaining carriers as **expansion** carriers. The control carrier acts as the “lead” carrier—its transmit and receive patterns control the expansion carriers, ensuring that all of the linked carriers function as a single system.

You set the control/expansion DIP switch, located in Slot 4, to configure the carrier:



Use a nonmetallic, pointed object to set each carrier’s DIP switch according to the following table.

### IMPORTANT:

Only one carrier (the leftmost carrier) can be the control carrier; the other carriers must be expansion carriers.

To designate the carrier as a...	Use this setting for the DIP switch...
control carrier (one carrier only)	
expansion carrier (one or two additional carriers)	

Go to “Installing Multiple Carriers.”

## Installing a Single Carrier on a Shelf or Desk

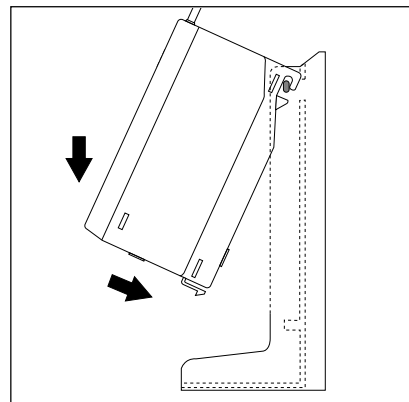
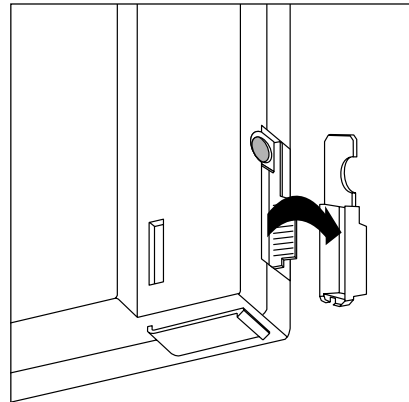
- You will not receive optimum performance if unit is placed on a desk or low shelf
- Install as high as possible, leaving 6–12 inches (15.2–30.5 cm) between antennas and ceiling if on high shelf
- Never install or remove a radio module from a carrier that is plugged into a wall outlet (hot insertion)
- See “Key Components” earlier in this chapter for additional picture detail

**1** Perform the tests described in "Wireless Test Mode" earlier in this chapter to determine the optimal placement of the radio module. To perform the tests, all you need is an electrical outlet for the radio module and a charged battery pack in the handset.

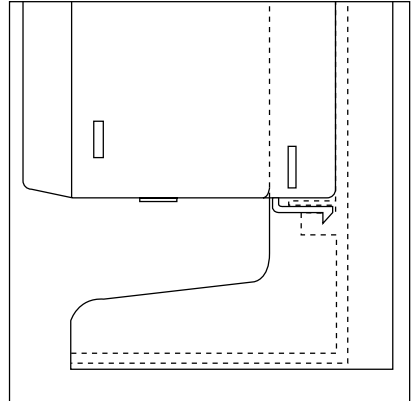
**2** Check to make sure the carrier's power cord is unplugged from the wall outlet before continuing.

**3** Remove the plastic cap covering each radio module's card edge before installing the radio modules in the carrier.

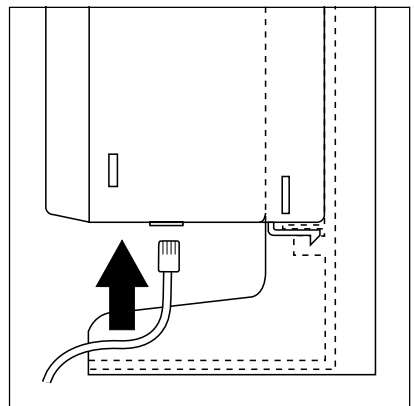
**4** Starting from the leftmost slot (#1), insert each radio module into the carrier by hooking it onto the radio module mounting rod. Slowly swing the radio module's card edge into the card edge connector on the back of the carrier.



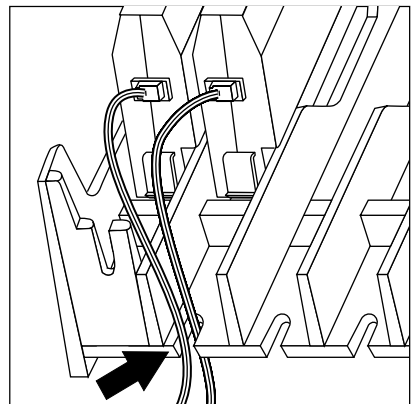
**5** When the card edge is fully seated, a snap lock on the bottom of the radio module will engage.



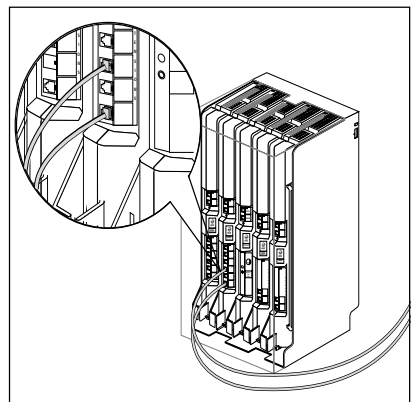
**6** Insert a telephone line cord into the bottom of each radio module.



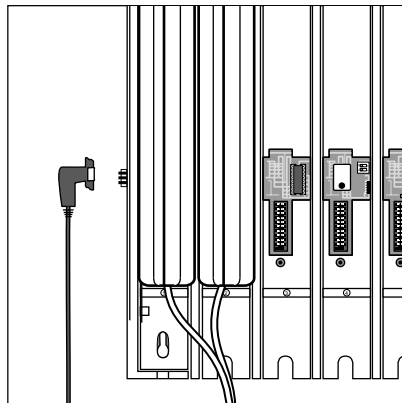
**7** Slide the telephone line cords through the rear exit slots on the bottom of the carrier. Cords originating from Modules 1 and 6 can share exit slots with cords from Modules 2 and 5 respectively.



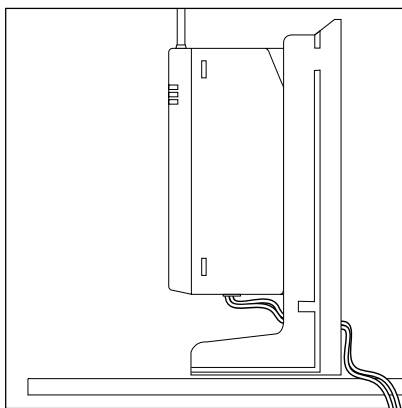
**8** Insert the free end of the telephone line cord into the appropriate extension jack or terminal/station connector on your communications system switch/control unit (refer to your communications system manual for the proper location).



- 9** Insert the carrier's AC adapter cord into the left side of the carrier.



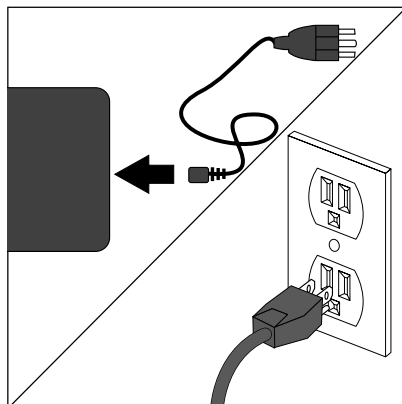
- 10** Place the carrier on its feet towards the back of the shelf or desk, making sure it is in a stable position. Be sure the telephone line cords come out the rear exit slots in the back of the unit. Arrange the power cord and telephone line cords beneath the shelf or desk so no one can step on them or trip over them.



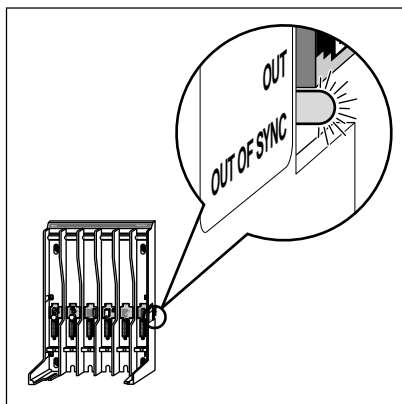
- 11** Insert the carrier's power cord into the AC adapter, then plug the power cord into a properly grounded 3-prong wall outlet that is not controlled by an on/off switch.

If appropriate, you can wall-mount the AC adapter using its attached wall-mounting bracket.

- CAUTION:**  
Never connect or disconnect telephone line cords, or insert or remove radio modules, while the carrier is plugged into the wall outlet.



- 12** Verify that the carrier's **Out of Sync** LED is not lit. If the LED is lit, power down and then repower the carrier. If the LED is still lit, follow the suggestions in the "Installation Problems" section of Chapter 5, "Troubleshooting." If the LED is still lit, call for help as described on the inside front cover of this book.



Go to "Installation Self-Test."



## Installing a Single Carrier on a Wall

- Install high on wall, leaving 6–12 inches (15.2–30.5 cm) between antennas and ceiling
- Never install or remove a radio module from a carrier that is plugged into a wall outlet (hot insertion)
- See “Key Components” earlier in this chapter for additional picture detail

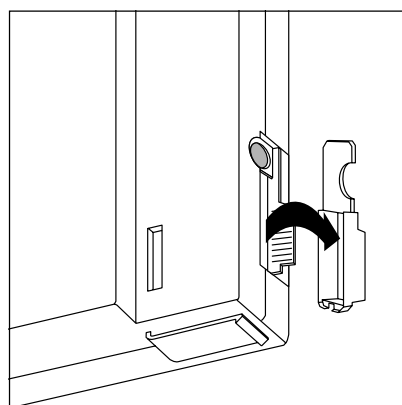
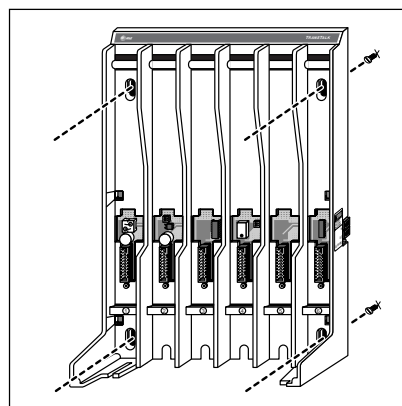
**1** Perform the tests described in "Wireless Test Mode" earlier in this chapter to determine the optimal placement of the radio module. To perform the tests, all you need is an electrical outlet for the radio module and a charged battery pack in the handset.

**2** Check to make sure the carrier's power cord is unplugged from the wall outlet before continuing.

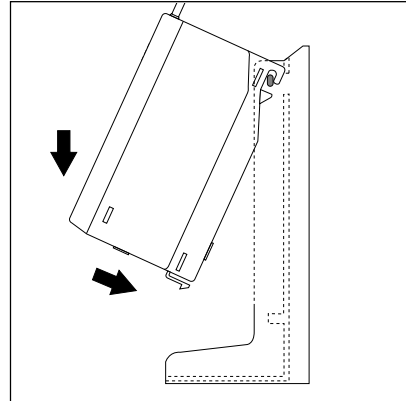
**3** Place the carrier against the wall. Choose a location backed by a wooden stud (if unavailable, use toggle bolts instead of the supplied wood screws). Hold the carrier straight; use a level if needed. Using a nail or pencil, mark screw locations through the four wall-mount holes.

Start the screws, leaving the screw heads protruding approximately  $\frac{1}{2}$ " (12 mm) from the wall. Place the carrier assembly over the screws, then slide it downward to lock it into place. Tighten the screws.

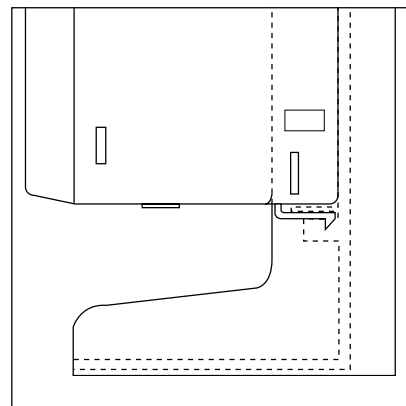
**4** Remove the plastic cap covering each radio module's card edge before inserting the radio modules into the carrier.



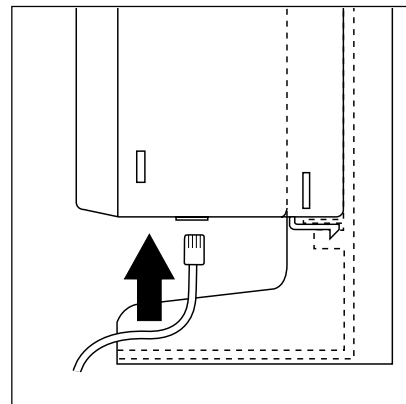
**5** Starting from the leftmost slot (#1), insert each radio module into the carrier by hooking it onto the radio module mounting rod. Slowly swing the radio module's card edge into the card edge connector on the back of the carrier.



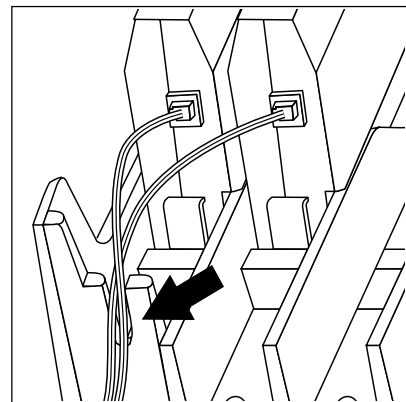
**6** When the card edge is fully seated, a snap lock on the bottom of the radio module will engage.



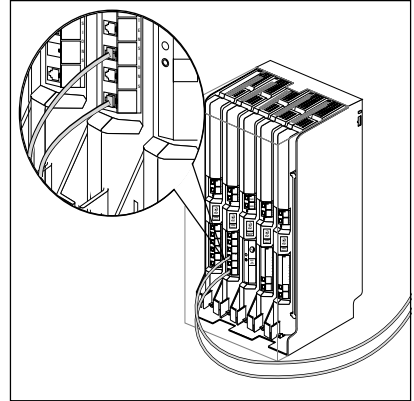
**7** Insert a telephone line cord into the bottom of each radio module.



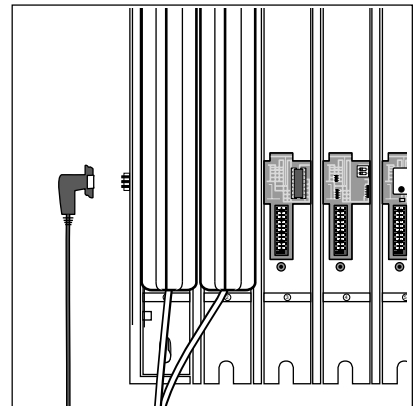
**8** Slide the telephone line cords through the cable manager slot on the left front of the carrier.



- 9** Insert the free end of each telephone line cord into the appropriate extension jack or terminal/station connector on your communications system switch/control unit (refer to your communications system manual for the proper location).



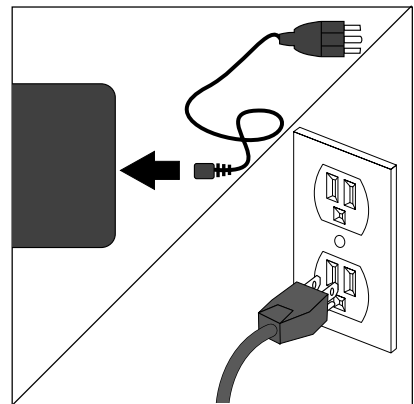
- 10** Plug the carrier's AC adapter cord into the left side of the carrier.



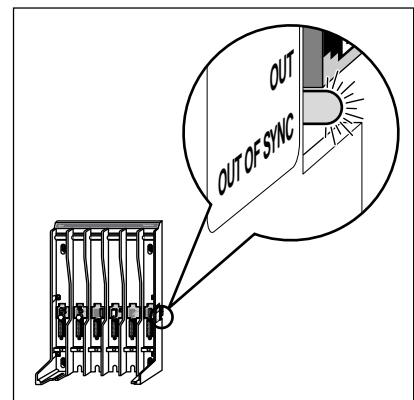
- 11** Insert the carrier's power cord into the AC adapter, then plug the power cord into a properly grounded 3-prong wall outlet that is not controlled by an on/off switch.

If appropriate, you can wall-mount the AC adapter using its attached wall-mounting bracket.

- ⚠ CAUTION:**  
Never connect or disconnect telephone line cords, or insert or remove radio modules, while the carrier is plugged into the wall outlet.



- 12** Verify that the carrier's **Out of Sync** LED is not lit. If the LED is lit, power down and then repower the carrier. If the LED is still lit, follow the suggestions in the "Installation Problems" section of Chapter 5, "Troubleshooting." If the LED is still lit, call for help as described on the inside front cover of this book.



Go to "Installation Self-Test."

---

## Installing Multiple Carriers

---

- Install each carrier high on wall, leaving 6–12 inches (15.2–30.5 cm) between antennas and ceiling
- Install each carrier 1 foot (0.3 m) optimal to 4 feet (1.2 m) from its neighboring carrier
- Never install or remove a radio module from a carrier that is plugged into a wall outlet (hot insertion)
- See “Key Components” earlier in this chapter for additional picture detail

**1** Perform the tests described in "Wireless Test Mode" earlier in this chapter to determine the optimal placement of the radio module. To perform the tests, all you need is an electrical outlet for the radio module and a charged battery pack in the handset.

**2** Check to make sure the carrier's power cord is unplugged from the wall outlet before continuing.

**3** Choose a location backed by a wooden stud for the carrier (if unavailable, use toggle bolts instead of the supplied wood screws).

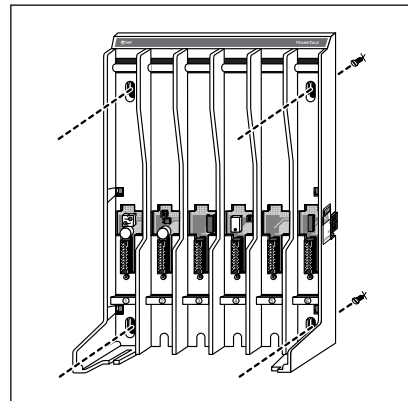
### IMPORTANT:

The leftmost carrier must be the control carrier. See "Setting the Control/Expansion DIP Switch" earlier in this chapter.

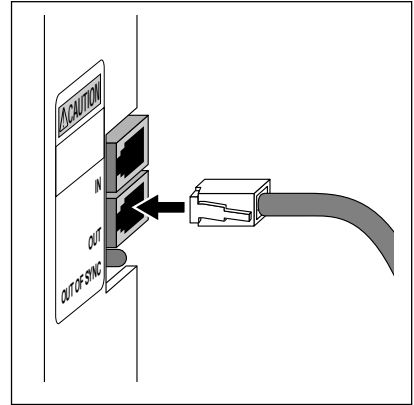
Place the carrier against the wall, leaving enough room to the right for additional carrier(s) if applicable. Hold the carrier straight; use a level if needed. Using a nail or pencil, mark screw locations through the four wall-mount holes. Start the screws, leaving the screw heads protruding approximately  $\frac{1}{2}$ " (12 mm) from the wall.

**4** Repeat Steps 1 through 3 for each carrier.

**5** Place the carrier over the screws, then slide it downward to lock it into place. Be sure that the leftmost carrier is the control carrier. Tighten the screws. Repeat for each carrier.



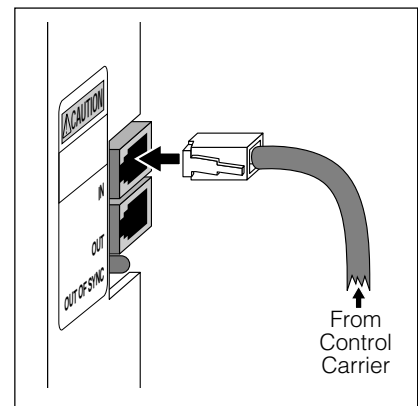
- 6** Connect an expansion cable to the OUT jack of the control carrier.



- 7** Insert the free end of the expansion cable into the IN jack of the expansion carrier immediately to the right of the control carrier.

**NOTE:**

Although installing an expansion cable into the wrong IN or OUT jack will not harm either carrier, doing so causes all handsets to work improperly and the Out of Sync LED to light.

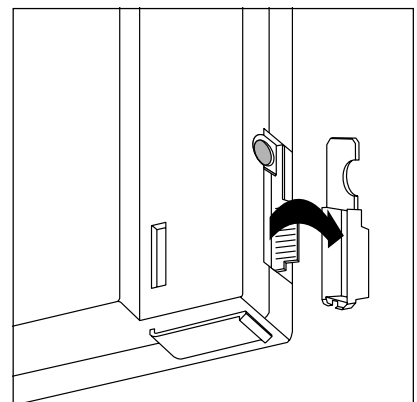


- 8** If you have a second expansion carrier:

- a. Connect an expansion cable to the OUT jack of expansion carrier #1.
- b. Insert the free end of the expansion cable into the IN jack of expansion carrier #2.

See "Key Components" earlier in this chapter for an illustration of a three-carrier setup.

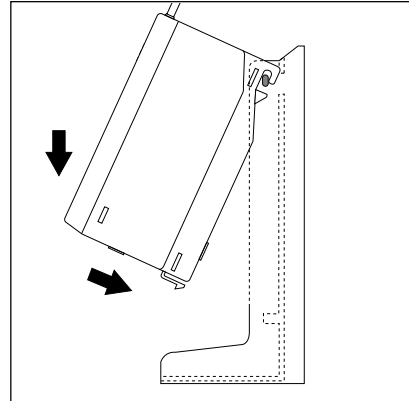
- 9** Remove the plastic cap covering each radio module's card edge before inserting the radio modules into the carriers.



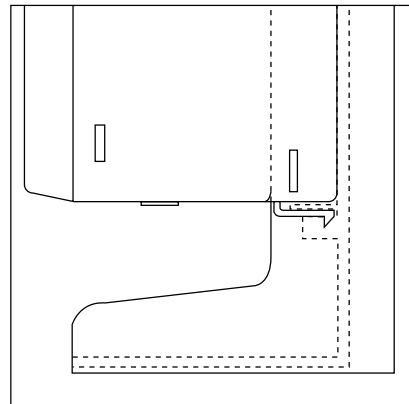
**10** Working from left to right, insert a radio module into each slot of the control carrier, starting with Slot 1; hook each radio module onto a mounting rod. Slowly swing the radio module's card edge into the card edge connector on the back of the carrier.

**IMPORTANT:**

**Slot 6 of a carrier that has another carrier to the right of it must always contain a radio module to pass the synchronization signal to the next carrier.**



**11** When the card edge is fully seated, a snap lock on the bottom of the radio module will engage.

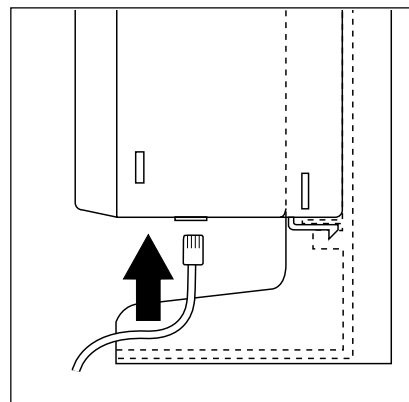


**12** Repeat Steps 10 and 11 for each expansion carrier, until each radio module is inserted into a carrier.

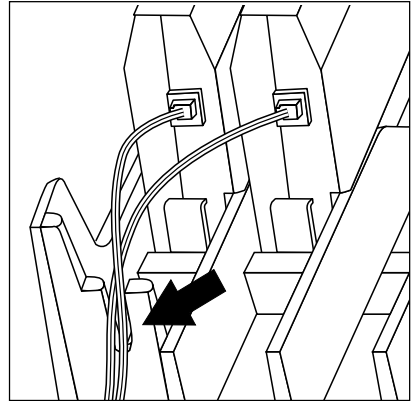
**NOTE:**

Fill all six slots of the current carrier before inserting radio modules into the next carrier.

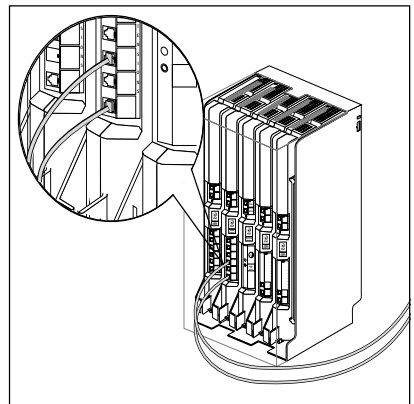
**13** Insert a telephone line cord into the bottom of each radio module.



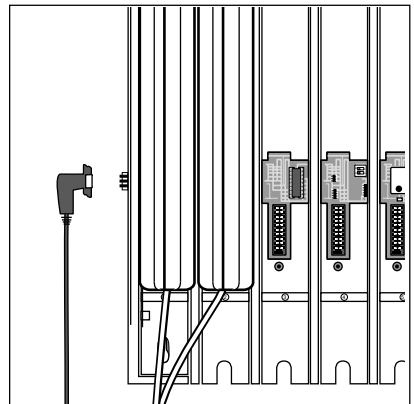
- 14** Slide the telephone line cords through the cable manager slot on the left front of each carrier.



- 15** Insert the free end of the telephone line cord into the appropriate extension jack or terminal/station connector on your communications system switch/control unit (refer to your communications system manual for the proper location).

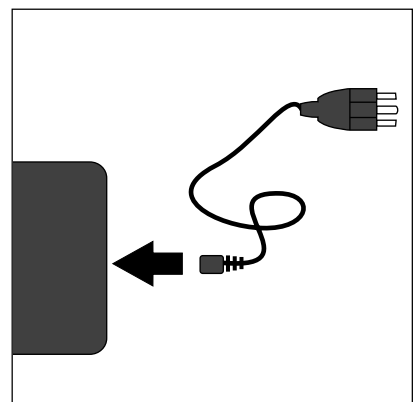


- 16** Plug an AC adapter cord into the left side of each carrier.



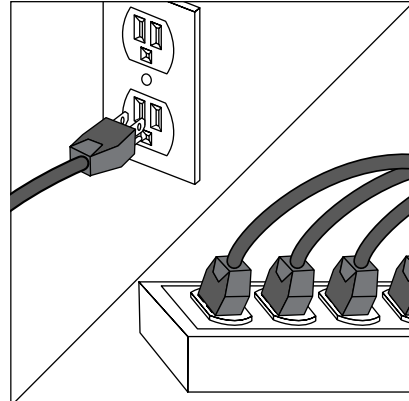
- 17** Insert each carrier's power cord into its AC adapter.

If appropriate, you can wall-mount each AC adapter using its attached wall-mounting bracket.



**18** Plug each carrier's power cord into one of the following power sources that is not controlled by an on/off switch:

- Properly grounded 3-prong wall outlets
- Surge suppressor strip

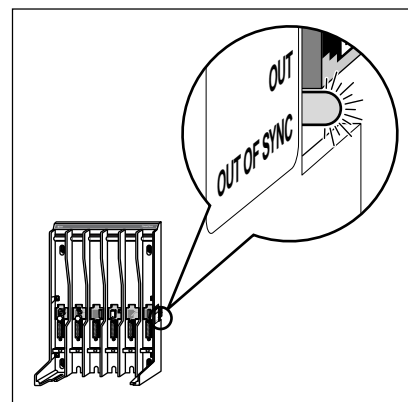


Power the carriers as follows:

If the carriers are plugged into...	Then...
one surge suppressor strip	power the strip. <i>Result:</i> All carriers will turn on simultaneously.
wall outlets	plug in the power for all carriers in this order:  <div style="text-align: center;"> <p>Control Carrier      Expansion Carrier #1      Expansion Carrier #2</p> <p>①                                      ②                                      ③</p> </div>

**⚠ CAUTION:** Never connect or disconnect expansion cables or telephone line cords, or insert or remove radio modules, while the carrier is plugged into the wall outlet.

**19** Verify that the carriers' **Out of Sync** LEDs are not lit. If an LED is lit, power down and then repower the carriers as described in Step 18. If the LED is still lit, follow the suggestions in the "Installation Problems" section of Chapter 5, "Troubleshooting." If the LED is still lit, call for help as described on the inside front cover of this book.



**Go to "Installation Self-Test."**



---

## Installation Self-Test

---

Upon installation, the **POWER** and **PASS** LEDs on each radio module will light. The radio modules then initiate a 2-minute self-test and synchronization. If a radio module's **PASS** LED does not light, repower the module or its carrier. Refer to Chapter 5, "Troubleshooting," if the **PASS** LED still does not light.

**NOTE:**

The **RADIO** LED also *may* light upon installation; however, since the **RADIO** LED has no significance during the self-test, ignore its operation.

The **RADIO** LED indicates a connection between the handset and the radio module; it lights when the handset is being used as long as the battery pack in the handset is charged.

**Go to "Handset."**

---

## Handset

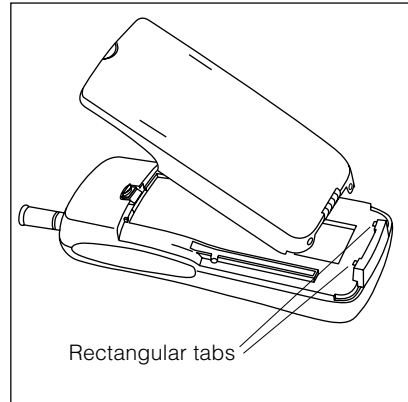
---

This section explains how to install the handset battery pack, change the communications system setting, and fill out the handset label.

### Inserting and Removing the Handset's Battery Pack

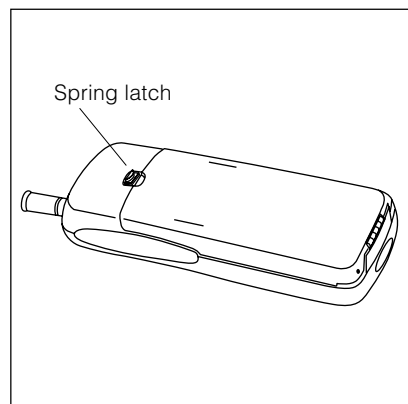
---

**1** To insert the battery pack into the handset, insert the two small rectangular tabs located along the bottom back edge of the handset into the two rectangular holes along the bottom front edge of the battery pack.

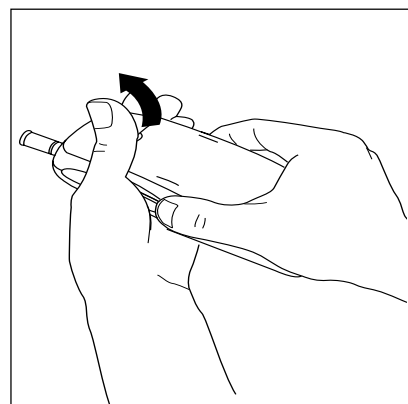


**2** Press the battery pack downward until it clicks into place.

**The battery pack must be charged prior to using the handset.** See "Battery Charger" later in this chapter for instructions.



**3** To remove the battery pack, slide the spring latch upward (away from the battery pack). While holding the latch up, grasp both sides of the battery pack, then gently pull the battery pack upward and out.





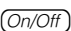
---

## **Changing the Communications System Setting**

The communications system you use determines what information the MDW 9030P Pocketphone can display and how the phone lines and programmable/intercom/drop buttons are identified (see "Button Mapping" in Chapter 6, "MDW 9030P Pocketphone Compatibility").

The MDW 9030P is factory-set to work with the PARTNER communications system. **If you are using PARTNER as your communications system, skip this section; if you are using a different communications system, you will need to change the setting.**

To change the communications system setting, use the following procedure to enter Local Mode and then Button Mapping Mode:


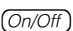
1. Make sure the handset is turned off.
2. Press and hold the Select button () for three seconds.
3. While still holding , press .

The handset beeps twice, and the top line of the display shows **LCL:P** (unless you have already changed it from the default setting).

4. Press and hold "M" () for three seconds to enter Button Mapping Mode.

The handset display shows one of the following:

<b>MAP:P</b>	PARTNER systems
<b>MAP:D</b>	DEFINITY systems, System 25, System 75, and System 85
<b>MAP:M1</b>	All MERLIN systems (except MERLIN 410 and MERLIN 820), including MERLIN LEGEND
<b>MAP:M2</b>	MERLIN 410 and MERLIN 820

5. Press  repeatedly to cycle through the settings until the display appropriate for your communications system is shown.
6. Press  when the correct setting is displayed.

The top line of the display shows information appropriate to the communications system you are using.

7. To verify your setting, repeat Steps 1–3. The top line of the display should appear as follows, depending upon your communications system:

PARTNER systems:	<b>LCL:P</b>
DEFINITY systems, System 25, System 75, and System 85	<b>LCL:D</b>
All MERLIN systems (except MERLIN 410 and MERLIN 820)	<b>LCL:M1</b>
MERLIN 410 and MERLIN 820	<b>LCL:M2</b>

For a description of the button mapping between the MDW 9030P Pocketphone and the wired telephones for your communications system, or to program features on buttons, see "Button Mapping" in Chapter 6.

---

## Filling Out the Handset Label

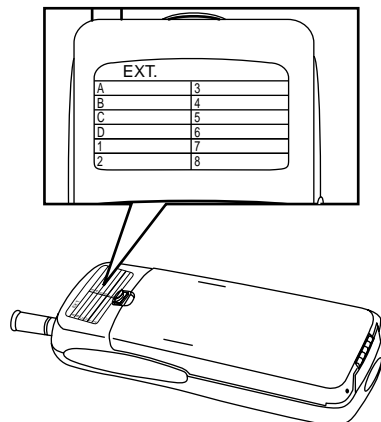
The MDW 9030P Pocketphone display shows the status of up to 12 lines or programmable/intercom/drop buttons. Since the MDW 9030P is compatible with several different communications systems, diagrams of the button mapping for these systems are provided in Chapter 6.

The MDW 9030P has a label on the back of the handset near the top where you can record:

- Your extension number
- The mapping of your MDW 9030P line buttons to those on a wired phone for your communications system

**NOTE:**

Use a pencil or *ballpoint* pen on the label, in case you want to erase the information later. Do *not* use felt-tip or other types of non-erasable markers. Also, do not remove the label.



- 1** Write your extension number on the label.
- 2** Locate the section in Chapter 6 that describes the button mapping for your communications system; then copy the mapping to the label for ease of reference.

**Go to "Battery Charger."**

---

## Battery Charger

---

This section explains how to choose a location for the battery charger and install it. It also explains how to insert and remove a battery pack.

### Positioning the Battery Charger

---

The battery charger can be placed on a desk, or it can be mounted on a wall. Before you install the battery charger, note the following considerations:

- Locate the battery charger within 5 feet (1.6 m) of a properly grounded 3-prong electrical outlet that is not controlled by an on/off switch.
- If your communications system uses an uninterruptible power supply, such as a backup generator, you may want to connect the battery charger to that power supply.
- Do not locate the battery charger where it will be exposed to direct sunlight or water.

#### **WARNING:**

The rechargeable battery pack may contain elements that are harmful to the environment (for example, nickel). Do not burn or puncture the battery. Like other batteries of this type, if it is burned or punctured, it could release toxic material that could cause injury. Do not dispose of it in household garbage. For information about recycling or proper disposal, consult your local solid waste (garbage) collection or disposal organization.

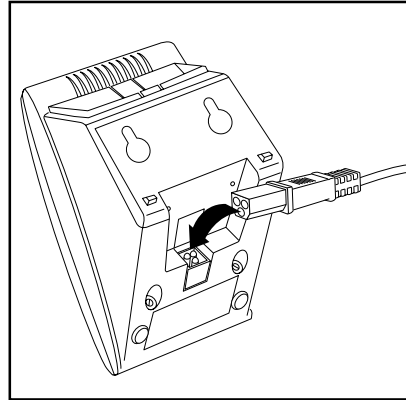
### Installing the Battery Charger

---

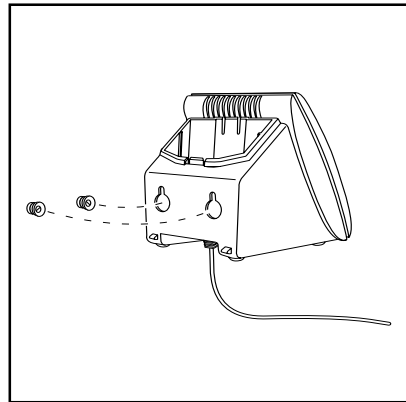
- **If you are wall-mounting the battery charger, follow Steps 1 through 7**
- **If you are desk-mounting the battery charger, follow only Steps 1, 5, and 7**

- 1** Check to make sure the battery charger's power cord is unplugged from the wall outlet before continuing. If you are desk-mounting, skip to Step 5.
- 2** To wall-mount, place the battery charger's wall-mounting template (located on the last page of this book) against the wall. Choose a location backed by a wooden stud (if unavailable, use toggle bolts instead of the supplied wood screws). Hold the template straight; use a level if needed.
- 3** Mark the locations for the two wall-mounting screws, and then remove the template from the wall. Lightly tap a nail into the wall to start the holes.
- 4** Place the screw through the wall spacers so that the screw head nests in the indentation on the spacer. Start the screws, and screw them in until the wall spacers rest against the wall.

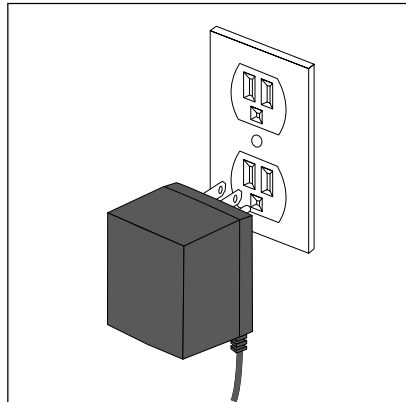
**5** Insert the battery charger's power cord/AC adapter into the battery charger. If you are desk-mounting the battery charger, skip to Step 7.



**6** Place the keyhole-shaped openings in the back of the battery charger over the screw heads and wall spacers, then slide the battery charger downward into the groove in the wall spacers to lock it into place.



**7** Plug the battery charger's power cord/AC adapter into a properly grounded 3-prong wall outlet that is not controlled by an on/off switch.



---

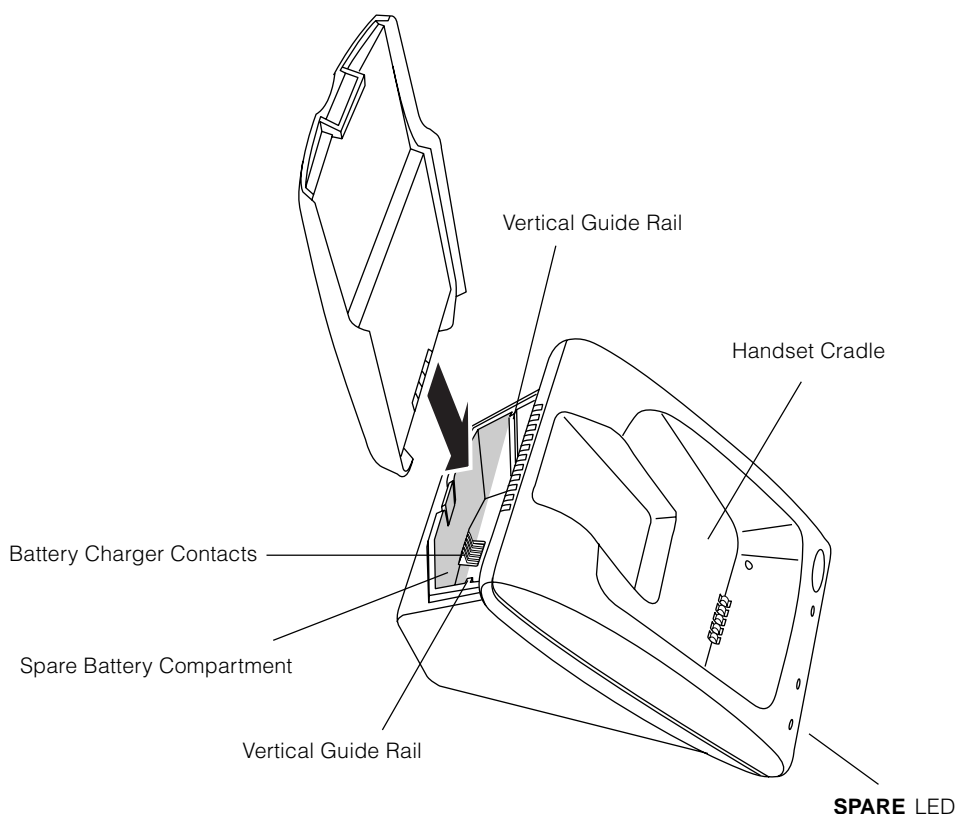
## Inserting a Battery Pack into the Spare Battery Compartment

---

Slide the battery pack into the Spare battery compartment until it is firmly seated with the back of the battery pack against the back of the Spare battery compartment. **Do not force the battery pack down.** The battery pack should slide easily into the slot.

Correct positioning of the battery pack in the charger is important to ensure proper charging. Note that the Spare battery compartment has a vertical ridge on each side that serves as a "guide rail" for positioning the battery pack. The bottom end of the battery pack also has two small round holes that match two guide pins on the bottom of the Spare battery compartment.

When the battery pack is positioned correctly in the Spare battery compartment, the **SPARE** LED on the front of the battery charger lights.



## Removing a Battery Pack from the Spare Battery Compartment

---

To remove a battery pack from the Spare battery compartment of the charger, simply lift the battery pack up and out.

---

## Inserting the Handset into the Battery Charger's Handset Cradle

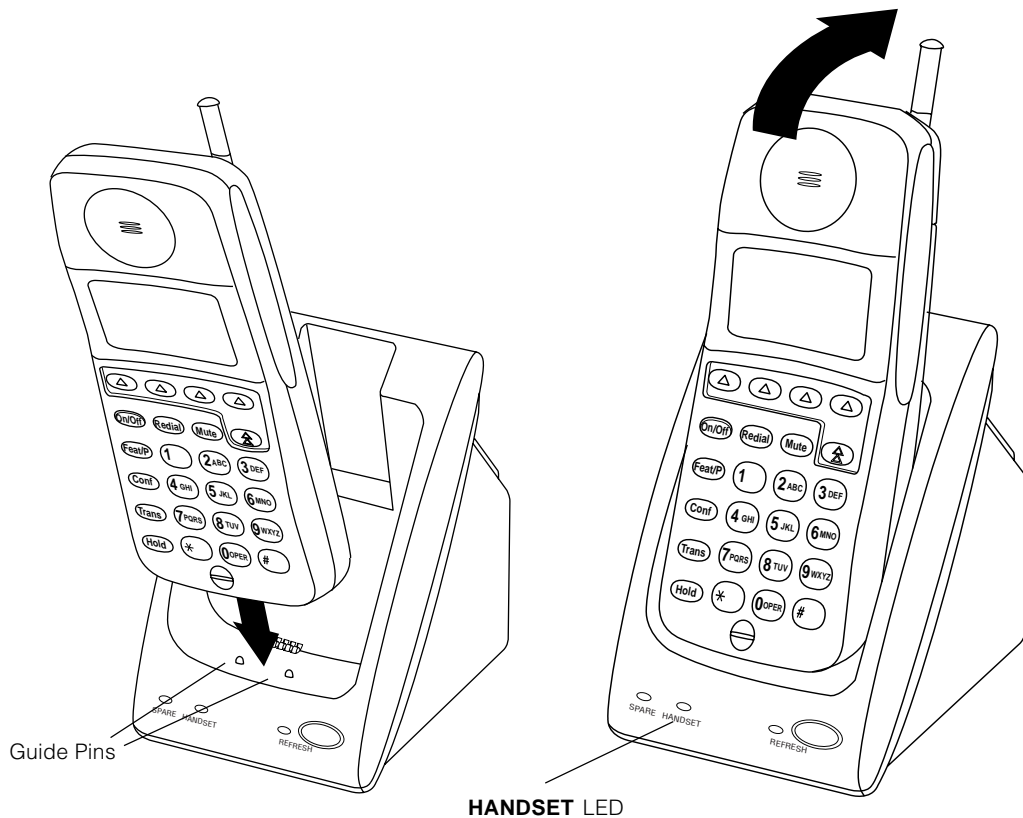
---

Correct positioning of the handset in the charger is important to ensure proper charging.

- 1** Position the handset (with its battery pack attached) so that the two small round holes in the bottom of the handset fit over the two guide pins on the bottom of the handset cradle.
- 2** Rock the handset back into the cradle until it is firmly seated with the back of the handset battery pack against the back of the handset cradle.

When the handset has been inserted correctly, the following occur:

- The **HANDSET** LED lights.
- If the handset was turned on, the **ON** icon in the display is no longer visible.
- Any call that was in progress is terminated.
- After 15 seconds, the handset enters the energy-saving "sleep" mode.



---

## Removing the Handset from the Handset Cradle

---

To remove the handset from the handset cradle, simply lift it out.



---

# Using the MDW 9030P Pocketphone

# 3

---

## **Important Safety Instructions**

Please see "Important Safety Instructions" at the beginning of Chapter 2.

## **The Handset**

This section describes the handset and how to use it. It also explains how to use a headset.

## Handset Controls

### Headset On/Off

Press to turn the headset on if the headset is plugged in. **ON** appears in handset display. To turn off, press again. Turn on to make or answer a call, and turn off to "hang up."

### Lanyard Loop

Attach lanyard for carrying handset.

### Volume Control

Press "+" to increase or "-" to decrease volume of receiver or alerter.

### On/Off

Press to turn the handset on. **ON** appears in handset display. To turn off, press again. Turn on to make or answer a call, and turn off to "hang up."

### Feat/P (Feature/Program)

Press to use dial-code features (PARTNER systems only) or to enter programming mode.

### Conf (Conference)

Press to conference in (add) another party to your call.

### Trans (Transfer)

Press to transfer a call to another extension.

### Hold

Press to put a call on hold.

### Receiver

Receives the sound of your caller's voice, unless a headset is connected.

### Antenna

Extend fully or retract fully to use handset. Extend fully to maximize the handset range and voice quality.

### Handset Display

Displays status of lines and range. For a detailed description, see "Handset Display" later in this chapter.

### Column

Use together with Select button to choose a line or programmable/intercom/drop button.

### Redial

Press to dial again the last number manually dialed from the handset.

### Select

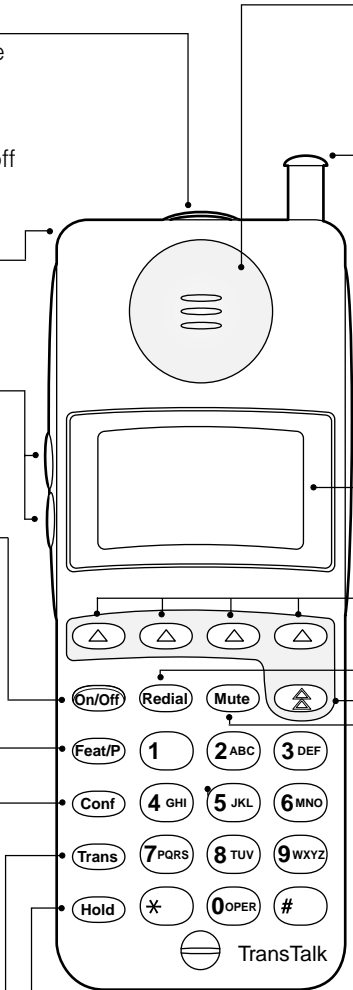
Use to move the Selection rectangle, and, together with Column buttons, to choose a line or programmable/intercom/drop button. Also use to wake-up the phone.

### Mute

Press to turn the microphone off for privacy.

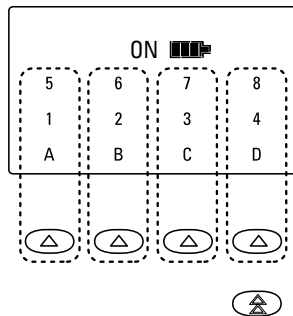
### Headset Connector

Plug in the headset cord to use the headset.

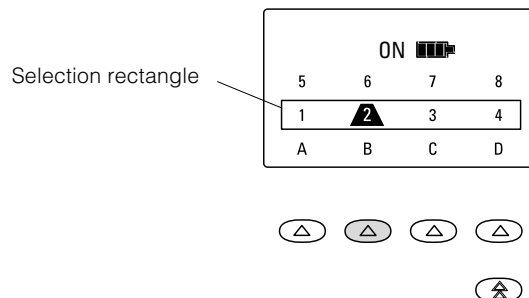


## Column and Select Buttons

The MDW 9030P Pocketphone can display the status of up to 12 lines or programmable/intercom/drop buttons; however, it has only 4 selection buttons (the Column buttons). The Select button (▲) is used in conjunction with the Column buttons (△) to increase the available selections to 12. Each Column button (△) affects one of the three lines or programmable/intercom/drop buttons directly above it, as shown in the illustration below.



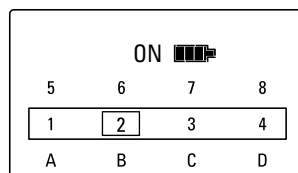
Each time you press the Select button (▲), the Selection rectangle moves to another row (cycling through the three rows in turn). The Column buttons (△) each represent one of the four lines or programmable/intercom/drop buttons in the row enclosed by the Selection rectangle.



For example, suppose your handset shows the Selection rectangle around the middle row of lines. If you press the second Column button from the left (shaded in the illustration above), you select Line 2, as indicated by the truncated triangle in the illustration.

### Note:

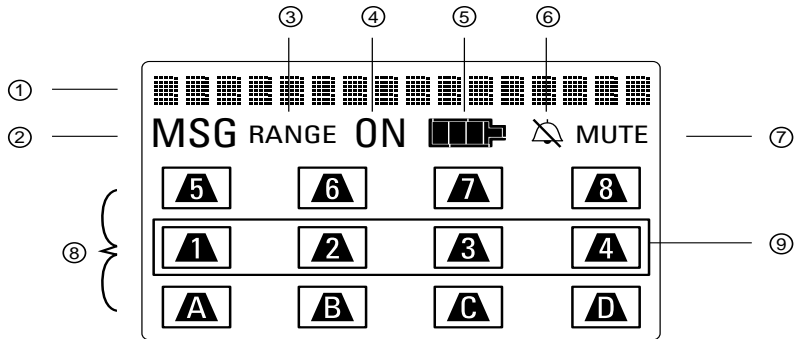
If you have a communications system other than PARTNER, the line you select is indicated by a small rectangle instead of the triangle, as shown below:



See "Manually Selecting a Line or Programmed Button" and "Preselecting a Line" later in this chapter for more information about the Column and Select buttons.

## Handset Display

The MDW 9030P Pocketphone display has one 16-alphanumeric-character line, and four lines of icons to provide you with status information.



### Note:

This illustration is intended to show you what all of the indicators look like, but you will never see all of the line status indicators illuminated at once.

- ① This line of the display gives you the information you would see on a wired system phone's display, except that the time is not provided. The information varies according to which communications system you are using. For example, the display may show the current date, the number you are calling, or caller ID information (if the system supports this feature). This display line is also used for feedback when testing and programming the handset. See "Display Messages" later in this chapter for more information about messages.
- ② **MSG** icon indicates that you have a message.
- ③ **RANGE** icon indicates that the handset is out of range or almost out of range. The handset also beeps. For more information, see "Range Indicators" later in this chapter.
- ④ **ON** icon indicates that the handset has been turned on by pressing *(On/Off)*.
- ⑤ **Battery** icon flashes to indicate a low battery condition. The handset also emits 2 beeps. For more information, see "Low Battery Indicator" later in this chapter.
- ⑥ **No Ring** icon indicates that the alerter is disabled. If the alerter is enabled, no icon is displayed.
- ⑦ **MUTE** icon indicates that the handset microphone was turned off by pressing *(Mute)*.
- ⑧ **Line Status Indicators** show the status of line or programmable/intercom/drop buttons. See Chapter 6 for button-mapping information. Also see "Line Status Indicators" later in this chapter.
- ⑨ **Selection rectangle** indicates the active row for line or programmable/intercom/drop button selection. See "Column and Select Buttons" earlier in this chapter.

When the display is blank, the handset is either turned off or in the power-saving "sleep" mode. You can activate the display by pressing *(On/Off)* to turn the handset on or by pressing *(▲)* to "wake it up."

---

## Display Messages

The top line of the handset display uses up to 16 alphanumeric characters to provide messages such as the following:

- **LCL:P** (or **LCL:D**, **LCL:M1**, or **LCL:M2**) indicates that the handset is in Local Mode, and tells which communications system the button mapping is set to emulate:

<b>LCL:P</b>	PARTNER systems
<b>LCL:D</b>	DEFINITY systems, System 25, System 75, and System 85
<b>LCL:M1</b>	All MERLIN systems (except MERLIN 410 and MERLIN 820), including MERLIN LEGEND
<b>LCL:M2</b>	MERLIN 410 and MERLIN 820

- **WIRELESS TEST** indicates that the handset is in Wireless Test Mode; **1** through **10** are used to measure signal strength and voice quality in Wireless Test Mode.
- **VIBR** indicates that the vibrator is enabled to notify you of incoming calls.
- **PSEL** indicates that Line Preselection is enabled.
- **PRESELECTION:ON** or **PRESELECTION:OFF** is displayed when you enter Preselection Mode, and indicates the status of the Line Preselection option.
- **CHANGE BUTTN MAP** is an error message indicating that the handset is set for the wrong communications system. See "Changing the Communications System Setting" in Chapter 2 for instructions for changing the setting.
- **MAP:P** (or **MAP:D**, **MAP:M1**, or **MAP:M2**) is displayed when you enter Button Mapping Mode, and indicates the communications system to which the MDW 9030P buttons are currently mapped:

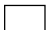
<b>MAP:P</b>	PARTNER systems
<b>MAP:D</b>	DEFINITY systems, System 25, System 75, and System 85
<b>MAP:M1</b>	All MERLIN systems (except MERLIN 410 and MERLIN 820), including MERLIN LEGEND
<b>MAP:M2</b>	MERLIN 410 and MERLIN 820


- **NO LINK** is an error message indicating that the handset is not communicating with its radio module. See Chapter 5, "Troubleshooting," for help in resolving this problem.

## Line Status Indicators


There are 12 status indicators; each one corresponds to a specific outside line or programable/intercom/drop button. (The function of these status indicators varies, depending on the communications system you are using—see button mapping for the appropriate communications system switch in Chapter 6, "MDW 9030P Pocketphone Compatibility.") The status indicators show either a truncated triangle or a rectangle, signifying activity as follows:

**PARTNER Systems:**

A **rectangle** (  ) is the equivalent of a red LED on a wired system phone.

A truncated **triangle** (  ) is the equivalent of a green LED on a wired system phone.

**All Other Systems:**

A **rectangle** (  ) is the equivalent of a green LED on a wired system phone.

A truncated **triangle** (  ) is the equivalent of a red LED on a wired system phone.

---

## Range Indicators

For maximum range and voice quality, always fully extend the antenna before placing or answering a call. **The antenna must be either fully retracted (for short range) or fully extended (for maximum range) to use the Pocketphone.**

The handset provides an audible and a visual signal to alert you when the handset is near the end of the range of the radio module. Depending on how far away the handset is from the radio module, the signals function as follows:

- The handset emits two beeps and flashes the **RANGE** indicator continuously.  
**Out of optimal range.** You have walked into an area that is near the end of the operating range of the radio module. You can continue your conversation or initiate a call, but you are likely to experience a degradation in voice quality.
- The handset emits five sets of beeps and displays the **RANGE** indicator.  
**Loss of communication link.** You have walked into an area that is out of the operating range of the radio module. You must bring the handset within range of the radio module within several seconds or the handset will turn off. If the handset turns off, it appears that your call was disconnected; however it was only placed on Hold. To talk with your party, move back towards the radio module, press **(On/Off)**, then proceed as you would for any call placed on Hold.
- When you try to make a call, the handset emits two beeps and flashes the **RANGE** indicator twice; then the handset automatically turns off.  
**Cannot establish communication link.** You are completely out of range of the radio module. To make the call, move back towards the radio module and try again.

Refer to Chapter 5, "Troubleshooting," for additional information about out-of-range conditions.

## Low Battery Indicator

When the handset is On and the battery power is low, the handset will emit two beeps and the **Battery** icon in the handset display will flash. When this occurs, you have 5 minutes or less of talk time left. At this point, you can either:

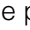
- Complete your call, turn the handset off, and recharge the battery pack, or
- If you have a charged spare battery pack, place your call on Hold and replace the handset battery pack with the spare battery pack. Wait 6 to 10 seconds, then turn the handset on and proceed as you would for any call placed on Hold.

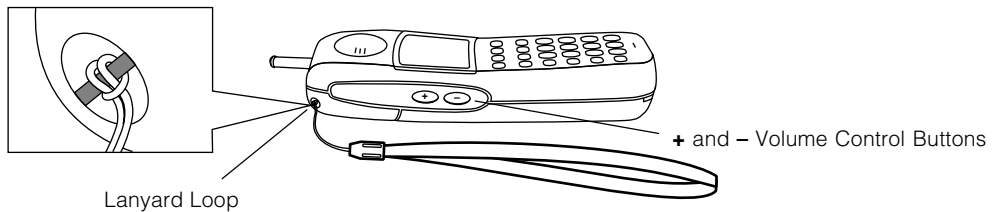
### NOTE:

When the battery power is low, the two beeps will sound each time either **(On/Off)** button is pressed until either the battery is drained or you replace the battery. If you continue talking, the handset will turn off when the battery pack is drained. Your call will be placed on Hold automatically so that you can swap battery packs or pick up the call on another telephone.

## Volume Control

To increase or decrease the volume of the handset alerter or the receiver (earpiece):

- **Alerter:** Press the "+" or the "-" button while the MDW 9030P is awake but turned off. If the display is dark (the phone is in "sleep" mode), press  to wake it up, then press the "+" or the "-" button.
- **Receiver:** Press the "+" or the "-" button while the MDW 9030P is turned on.

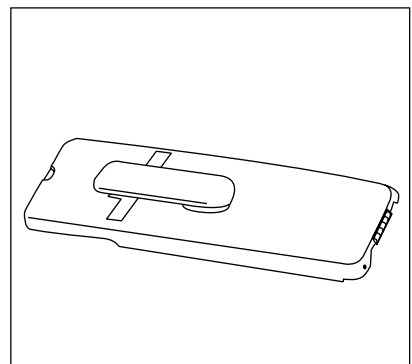
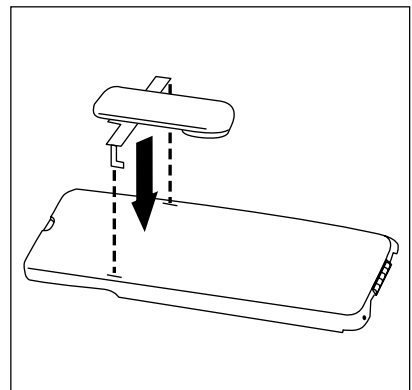


## Carrying Your Pocketphone

The MDW 9030P Pocketphone has a loop in the upper corner to accommodate the included lanyard. You can attach the lanyard, as illustrated above, and slip the lanyard over your wrist to guard against dropping the phone. A leather carrying case is also available separately (see "Ordering Replacement & Optional Parts" in Chapter 4).

The MDW 9030P Pocketphone also comes with a detachable clip, which you can attach to the back of the battery pack, that enables you to attach the phone to your belt or purse strap. To attach the clip to the battery pack, do the following:

- 1** Remove the battery pack from the handset, as described in "Inserting and Removing the Handset's Battery Pack" in Chapter 2.
- 2** Place the two metal tabs on the clip into the slots on the battery pack, with the "hooks" toward the bottom of the battery pack.
- 3** Slide the clip toward the bottom of the battery pack to engage the hooks.
- 4** Reinsert the battery pack in the handset, as described in "Inserting and Removing the Handset's Battery Pack" in Chapter 2.



---

## Antenna

---

The MDW 9030P Pocketphone comes with a user-replaceable, flexible, retractable antenna. For maximum range and voice quality, always fully extend the antenna before placing or answering a call. You can receive a call (if you are within range of the radio module) without extending the antenna, but you may get a **RANGE** indication. The antenna must be fully extended for optimal performance.

## Changing the Handset Settings



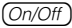
---

You can use Local Mode to change the handset settings for these functions:

- Communications system button mapping
- Vibrator
- Line Preselection
- Alerter



Local Mode also gives you access to Local Test Mode (which enables you to test the alerter, vibrator, and display) and Wireless Test Mode (which enables you to test sound clarity, signal strength, and voice quality). While in Local Mode, the MDW 9030P can still receive notification of incoming calls.

To access Local Mode, use the following procedure:

1. Make sure the handset is turned off.
2. Press and hold the Select button () for three seconds.
3. While still holding , press .

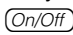
The handset beeps twice, and the display shows the handset settings. For example, the following display indicates that the handset:

- Is using button mapping for a PARTNER switch
- Has the vibrator and Line Preselection enabled
- Has the alerter disabled

LCL: P	VIBR	PSEL	
			
5	6	7	8
1	2	3	4
A	B	C	D

To exit Local Mode, press .


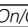
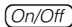
## Changing the Communications System Button Mapping Setting

If the MDW 9030P Pocketphone is set to use the wrong communications system, an error message saying **CHANGE BUTTN MAP** shows on the top line of the handset display each time the  button is pressed. If you see this message, use the procedure described in "Changing the Communications System Setting" in Chapter 2 to specify the correct communications system setting.



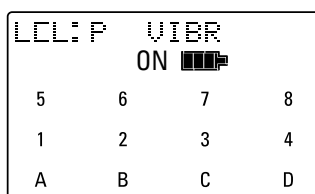
## Enabling or Disabling the Vibrator

The vibrator vibrates to alert you to an incoming call in situations where you do not want to disturb others with an audible ring. You can enable or disable the vibrator using the following procedure:


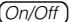
1. Make sure the handset is turned off.
2. Press and hold the Select button () for three seconds.
3. While still holding , press .

The handset beeps twice, and the display shows the handset settings, indicating that you are now in Local Mode. (While in Local Mode, the MDW 9030P can still receive notification of incoming calls.)

If the vibrator is enabled, the **VIBR** icon appears in the display. For example:



If the vibrator is disabled, no icon appears.

4. Press "V" () on the dialpad to enable or disable the vibrator.
5. Press  to exit Local Mode.

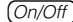
### Note:

Both the alerter and the vibrator can be disabled at the same time. In this case the only notification you have of an incoming call is that a line status indicator (a truncated triangle or a rectangle, depending on your communications system) flashes in the display.

## Enabling or Disabling Line Preselection

Line Preselection lets you choose the line or button you want to use before turning the handset on. For example, suppose your phone is ringing but you want to pick up a call that is holding on another line instead of the ringing call. In normal operation, the communications system automatically connects you to the ringing line as soon as you turn on the handset. With Line Preselection enabled, you can select the line you want to connect to before turning on the handset.



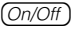
### Note:

Under certain conditions, the communications system tries to turn on a speaker; for example, if you use Line Preselection to select a button programmed for speed-dialing. Since the MDW 9030P Pocketphone has no speaker, the system causes the **ON** icon in the handset display to flutter. You must press  to complete the connection.

### Note:

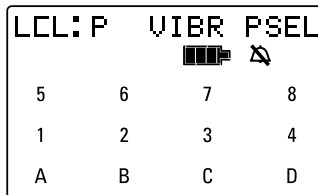
When Line Preselection is enabled, you do not have to use it; however you cannot use it unless it is enabled.

To enable Line Preselection, use the following procedure:


1. Make sure the handset is turned off.
2. Press and hold the Select button () for three seconds.
3. While still holding , press .

The handset beeps twice, and the display shows the handset settings, indicating you are in Local Mode. (While in Local Mode, the MDW 9030P can still receive notification of incoming calls.)

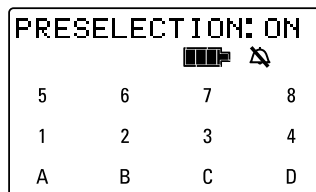
If Line Preselection is enabled, **PSEL** shows on the top line of the display. For example:


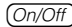


If Line Preselection is disabled, no icon appears.

4. Press and hold "P" () for three seconds.

The handset display shows **PRESELECTION:ON** if Line Preselection is enabled or **PRESELECTION:OFF** if Line Preselection is disabled. For example:



5. Press  to toggle between ON and OFF to enable or disable Line Preselection.
6. Press  to exit Local Mode.

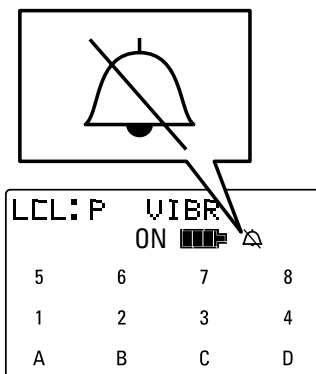
## Enabling or Disabling the Alerter

The alerter is an audible signal to notify you of an incoming call. If a call comes in while the phone is idle, the handset rings. If you are already on a call, the handset chirps softly. You can adjust the volume of the alerter by pressing the "+" button or the "-" button on the side of the handset when the phone is turned off. You can enable or disable the alerter using the following procedure:

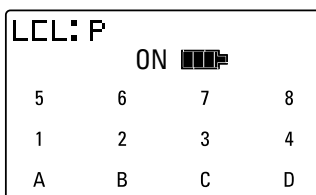
1. Make sure the handset is turned off.
2. Press and hold the Select button (▲) for three seconds.
3. While still holding (▲), press (On/Off).

The handset beeps twice, and the display shows the handset settings, indicating you are in Local Mode. (While in Local Mode, the MDW 9030P can still receive notification of incoming calls.)

If the alerter is disabled, the **No Ring** icon (a bell with a line through it) appears in the second line of the display. For example:



If the alerter is enabled, the icon is not displayed. For example:



4. Press "A" (ⓐ) on the dialpad to enable or disable the alerter.
5. Press (On/Off) to exit Local Mode.

### Note:

Both the alerter and the vibrator can be disabled at the same time. In this case the only notification you have of an incoming call is that a line status indicator (a truncated triangle or a rectangle, depending on your communications system) flashes in the display.

---

## Test Modes

---

You can use Local Test Mode and Wireless Test Mode to verify that your handset is working properly and that the MDW 9030P system is performing optimally.

### Using Local Test Mode

You can use Local Test Mode to activate the audio warning signal, the vibrator, and all visual indicators on the handset display, enabling you to test the following:

- Does the audio warning signal work?
- Does the vibrator vibrate?
- Is the display operational?
- Are the visuals bright and clear?

**Note:**

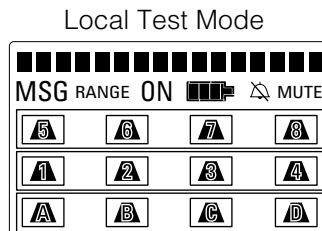
While in Local Test Mode, the MDW 9030P cannot make or receive calls.

1. Make sure the handset is turned off.
2. Press and hold the Select button (▲) for three seconds.
3. While still holding (▲), press (On/Off).

The handset beeps twice, and the display shows the handset settings, indicating you are in Local Mode. (While in Local Mode, the MDW 9030P can still receive notification of incoming calls.)

4. Press (#) to enter Local Test Mode.

The handset emits two beeps, the vibrator vibrates, and all indicators on the display appear (including the rectangles and truncated triangles), as shown below.



If the beeps do not sound, the vibrator does not vibrate, or the indicators do not appear, repeat Steps 1–4. If you still have problems, call for customer support as described on the inside front cover of this book.

3. Press (On/Off) once to exit both Local Test Mode and Local Mode.  
You must exit Local Test Mode to reinstate proper call handling.

## Using Wireless Test Mode

You can determine sound clarity, signal strength, and voice quality using Wireless Test Mode. You can also use Wireless Test Mode to identify which radio module matches your handset.

### NOTE:

Ignore anything that displays if you press (4) or (5) while in Wireless Test Mode. These displays are for Lucent Technologies technicians' use only.

To identify the matching radio module for your handset, use the following procedure:

1. Make sure the handset is turned off.
2. Press and hold the Select button (▲) for three seconds.
3. While still holding (▲), press (On/Off).

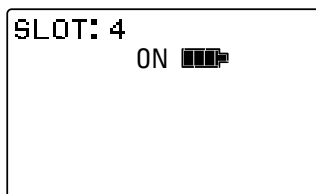
The handset beeps twice, and the display shows the handset settings, indicating you are in Local Mode. (While in Local Mode, the MDW 9030P can still receive notification of incoming calls.)

4. Press "W" (Ⓜ) to enter Wireless Test Mode.

**WIRELESS TEST** appears on the top line of the handset display. The handset beeps twice and vibrates, then you hear a simulated dial tone. This dial tone continues until you exit Wireless Test Mode. While in this mode, the MDW 9030P cannot make or receive calls.

5. To identify the matching radio module for this handset, press (3).

The display indicates in which slot in the individual carrier (**SLOT:n**) the matching radio module is located, using a number (n) from 1 to 6. A stand-alone radio module is shown as **0**. For example:



6. To exit Wireless Test Mode and Local Mode, press (On/Off).

## Performance/Range Test in Wireless Test Mode

Using the signal-strength test and the voice-quality test together, you can determine the range in which your MDW 9030P Pocketphone performs best at your site:

At 10–15 feet (3.1–4.6 m) from its radio module, use the following procedure:

1. Make sure the handset is turned off.
2. Press and hold the Select button (▲) for three seconds.
3. While still holding (▲), press (On/Off).

The handset beeps twice, and the display shows the handset settings, indicating you are in Local Mode. (While in Local Mode, the MDW 9030P can still receive notification of incoming calls.)

4. Press "W" (Ⓜ) to enter Wireless Test Mode.

**WIRELESS TEST** appears on the top line of the handset display. The handset beeps twice and vibrates, then you hear a simulated dial tone. This dial tone continues until you exit Wireless Test Mode. While in this mode, the MDW 9030P cannot make or receive calls. For more information, see "Wireless Test Mode" in Chapter 2.

5. Press (1).

The display should show a **9** or **10** for signal strength. If it does not, see Chapter 5, "Troubleshooting," for help with range problems.

6. Press (2).

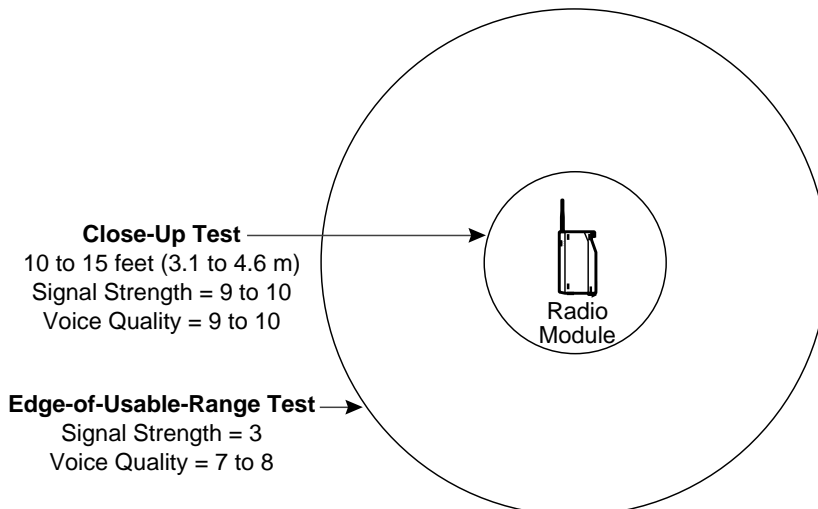
The display should show a **9** or **10** for voice quality. If it does not, see Chapter 5, "Troubleshooting," for help with range problems and/or voice quality problems.

7. Periodically check the signal strength and voice quality as you walk away from the radio module. Each time you press (1) or (2), you get a new reading.

When you see a signal strength of **3**, you are at the "edge of range" for the MDW 9030P Pocketphone. The distance will vary depending on the environment, building structure, and other factors. The range in an average office building is 500–700 feet (152.5–213.5 m). If, however, dense walls intervene, the distance could be less.

8. With a signal strength of **3**, press (2) to check the voice quality. When the voice quality is **7** or **8**, the voice connection should be satisfactory. This is the edge of your usable range.

The following diagram illustrates this Performance/Range test.



---

## "Waking Up" the Phone

---

In addition to "On" and "Off," the MDW 9030P has an energy-saving "sleep" or "standby" mode. The MDW 9030P "goes to sleep" 15 seconds after activity ceases (that is, after an alert stops ringing or after you hang up).

The **On/Off** and **▲** buttons "wake up" the phone. The headset and handset **On/Off** buttons turn the phone on, and the Select button (**▲**) signals the phone that activity is occurring. You can activate the display to see whether you have a message or to check whether your alerter is enabled without actually turning the phone on (if the communications system is very busy, for instance) by pressing **▲**.

## Making a Call

---

To make a call using your MDW 9030P, use the following procedure:

1. Press the handset **On/Off** button (or the headset **On/Off** button if you have the headset attached) to turn the phone on.
  - The MDW 9030P seizes an available line and a truncated triangle or a small rectangle (depending on your communications system) appears around that line in the handset display.
  - You hear a dial tone.
2. Dial the call as you would on a wired system phone.
3. To end the call, press the **On/Off** button.

After 15 seconds, unless there is other activity on the phone, the handset goes into the energy-saving "sleep" mode.

## Answering a Call

---

When you receive a call on your MDW 9030P Pocketphone, you hear a ringing tone if your alerter is enabled, or you feel a vibration in the handset if the vibrator is enabled, or both. To answer the call, use the following procedure:

1. Press the handset **On/Off** button (or the headset **On/Off** button if you have the headset attached) to turn the phone on.

You are automatically connected to the ringing line.
4. Speak into the handset to converse with your caller.
5. To end the call, press the **On/Off** button.

After 15 seconds, unless there is other activity on the phone, the handset goes into the energy-saving "sleep" mode.

---

## Manually Selecting a Line or Programmed Button

When you are making or answering a call, the MDW 9030P automatically selects the line for you. In some situations, however, you may want to select a particular line (for example, to use an "800" line). To select a particular line or programmable/intercom/drop button, use the following procedure:

1. Press **(On/Off)**.

The **ON** icon displays steadily, and you are connected to an available line.

2. If the Selection rectangle in the handset display is not surrounding the row that includes the line or button you want to use, press **(▲)** one or more times until the rectangle encloses that row. (See "Column and Select Buttons" earlier in this chapter for more information.)
3. Press the **(△)** button that corresponds to the line or button within the Selection rectangle that you want to select.

You are connected to the line or you have access to the button you chose.

To deselect the line or button, press **(On/Off)**.

For information about assigning features to buttons, see "Programming Features for PARTNER, MERLIN, and MERLIN LEGEND Systems" in Chapter 6.

## Preselecting a Line

You may sometimes want to select a line other than the line to which the communications system automatically connects you. To preselect a line, you must first enable Line Preselection. See "Enabling or Disabling Line Preselection" earlier in this chapter.

Once Line Preselection is enabled, use the following procedure:

1. If the handset is "asleep," press **(▲)** to wake it up and activate the display.
2. If the Selection rectangle in the handset display is not surrounding the row that includes the line you want to use, press **(▲)** repeatedly until the rectangle encloses that row. (See "Column and Select Buttons" earlier in this chapter for more information.)
3. Press the **(△)** button that corresponds to the line within the Selection rectangle that you want to select.

The **ON** icon flashes in the display and the handset emits double beeps.

4. Press **(On/Off)**.

The **ON** icon displays steadily, and you are connected to the line you chose.



---

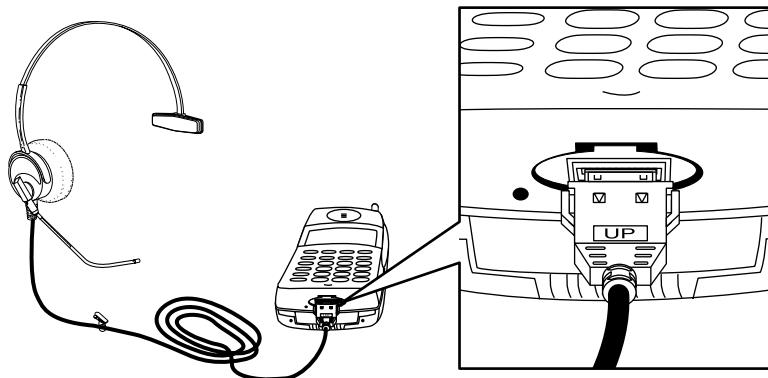
## Using a Headset

---

Lucent Technologies offers the Supra 9030 headset, which is specifically designed for use with your MDW 9030P wireless phone. A headset assists in call answering, and provides hands-free operation.

For ordering information, see "Ordering Replacement & Optional Parts" in Chapter 4.

To use the Supra 9030 headset, hold its cord with the "UP" label facing you, and insert the plug directly into the headset connector on the bottom of the handset (near the mouth-piece).



### CAUTION:

Plug **ONLY** the Supra 9030 headset cord into the headset connector.

### NOTE:

Calls cannot be heard on the handset receiver when the headset is plugged in to the headset connector. The handset microphone is also deactivated. The range of the handset is slightly diminished when you are using a headset. You may need to move closer to the radio module, or move the radio module closer to you.

If desired, you can disconnect the headset from the handset without dropping the call. Just unplug the headset cord from the handset. You can then use the handset as you normally would.

## Using the Headset On/Off Button

The headset On/Off button near the antenna becomes active **only** when the headset is plugged into the headset connector. The headset On/Off button is identical in function to the **On/Off** button near the dialpad.

## Answering Calls with a Headset

When you receive a call, you will hear a ringing tone or feel a vibration coming from the handset (you will not hear a tone from the headset itself). To answer the call, press either the headset On/Off button near the antenna or the **On/Off** button near the dialpad.

---

## Placing Calls with a Headset

To place a call with a headset:

1. Press the On/Off button near the antenna or the **On/Off** button near the dialpad to access an available line.

The microphone and earpiece in the handset are disabled.

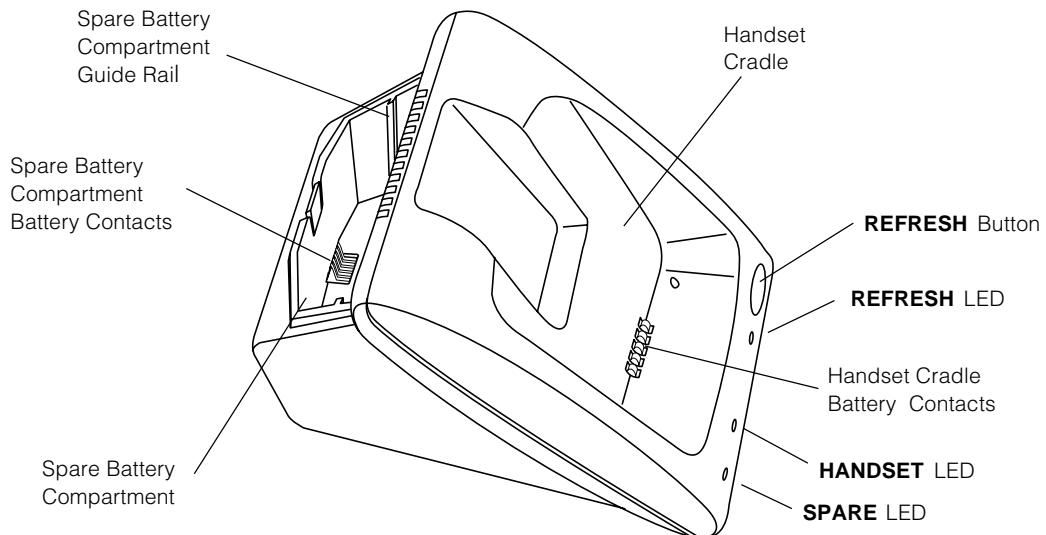
2. Dial the call as you would on a wired system phone.
3. Press either the On/Off button near the antenna or the **On/Off** button near the dialpad to end the call.

---

## The Battery Charger

---

The battery charger charges battery packs in the Spare battery compartment and in the handset. If both are present at the same time, charging in the Spare battery compartment is suspended until the battery pack in the handset is fully charged. To enable extended phone usage, you should purchase an extra battery pack and store it in the charger, so that you always have a charged battery pack to switch to, if necessary. This section describes the battery charger and explains how to use battery packs properly.



### NOTE:

Do not touch, push, or pull any exposed battery contacts.

## Battery Charger Features

---

The battery charger offers these features:

- The **Spare battery compartment** refreshes the battery pack automatically by fully discharging it before recharging it. This process reduces or eliminates the potential “memory” effect. Memory effect, which reduces a battery’s capacity, occurs over time when you repeatedly recharge a battery before it is fully discharged.
- The **handset cradle** charges a battery pack in the handset.
- The **REFRESH button**, when pressed, refreshes the handset battery pack in the handset cradle by fully discharging the battery pack before recharging it.
- The **REFRESH LED** and the **HANDSET LED** light when the **REFRESH** button is pressed and stay lit until the battery pack finishes discharging.
- The **HANDSET LED**, when lit, indicates that the handset battery pack is installed in the handset, and the handset is in the handset cradle.
- The **SPARE LED**, when lit, indicates that a battery pack is in the Spare battery compartment.

The color of the battery charger's LEDs indicates the state of the corresponding battery pack, as shown in the following table:

Battery charger LED shows...	If it is the SPARE LED, the battery pack in the Spare battery compartment...	If it is the HANDSET LED, the battery pack in the Handset...	If it is the REFRESH LED, the Refresh button was pressed, and the Handset battery pack...
Steady orange	Is charging	Is charging	N/A
Steady green	Is fully charged	Is fully charged	N/A
Flashing red * See note.	Has one of the following problems: <ul style="list-style-type: none"> <li>• Is not seated properly in the charger</li> <li>• Has dirty contacts</li> <li>• Is defective</li> </ul>	Has one of the following problems: <ul style="list-style-type: none"> <li>• Is not seated properly in the charger</li> <li>• Has dirty contacts</li> <li>• Is defective</li> </ul>	N/A
Steady red	Is in the Discharge portion of the Refresh cycle.	Is in the Discharge portion of the Refresh cycle.	Is in the Discharge portion of the Refresh cycle.

**\*Note:** If *either* the **SPARE** LED or the **HANDSET** LED is flashing red, *both* battery packs must be removed from the charger to clear the flashing-red condition. Address the possible problems for one battery pack at a time to determine whether one is bad.

**NOTE:**

Before you use the MDW 9030P Pocketphone handset for the first time, the battery pack must be charged.

---

## Extending Battery Life

---

The battery charger will charge a battery pack in the handset if you simply insert the handset in the battery charger's handset cradle; however, the Refresh process fully discharges the battery pack before recharging it, thereby ensuring the best possible charge.

"Memory effect" reduces a battery's capacity, and can occur when you repeatedly recharge a battery pack before it is fully discharged. The nickel metal hydride battery pack shipped with your MDW 9030P is resistant to the memory effect. Even so, it is recommended that you refresh your battery pack at least once a week.

The following table shows how long refreshing takes, depending on how much charge is left in the battery pack when you insert it into the charger and press the **REFRESH** button:

Battery-Pack Charge State	Discharge Time	Recharge Time	Total Time
Low charge ( <b>Battery</b> icon is lit)	0.5 hours	1 hour	1.5 hours
Full charge	3 hours	1 hour	4 hours

Note that your handset will consume power during both talk time (when the handset is turned on) and standby time (when the handset is turned off, but out of the battery charger). A fully charged battery pack provides about 3 hours of talk time or about 22 hours of standby time. As a guideline, you can expect a 1-hour reduction in talk time for every 7 hours of standby time. Similarly, you can expect a 7-hour reduction in standby time for every hour of talk time.

It is highly recommended that you purchase a second battery pack to use as a spare. With the spare battery pack in the Spare battery compartment of the battery charger, you are assured of always having a fresh, usable battery pack.

### **IMPORTANT:**

**Depending on the level of memory effect that the battery pack has, it is sometimes necessary to refresh the battery pack twice:**

**Insert the battery pack in the Spare battery compartment of the battery charger and leave it there until the SPARE LED is steady green. Remove the battery pack from the charger, then reinsert it, and leave it until the SPARE LED is steady green a second time.**

**Or, with the battery pack in the handset, insert the handset in the handset cradle, press REFRESH, and leave it there until the HANDSET LED is steady green. Remove the handset from the handset cradle, then reinsert it, press REFRESH again, and leave it until the HANDSET LED is steady green a second time.**

---

Follow these steps to ensure an uninterrupted supply of power to your MDW 9030P Pocketphone:

- If you have only one battery pack, be sure to refresh it at least once a week. You can refresh it by:
  - Placing it in the Spare battery compartment of the battery charger.
  - Leaving it in the handset, placing the handset in the handset cradle of the battery charger, and pressing the **REFRESH** button.
- If you have two battery packs, exchange the packs between the handset and the Spare battery compartment at least once a week, so that each battery pack is automatically refreshed. (Alternate the battery packs even if the handset battery never flashes the **Battery** icon in the handset display to indicate a low battery condition.)

# Maintaining the MDW 9030P Pocketphone

# 4

## Important Safety Instructions

Please see "Important Safety Instructions" at the beginning of Chapter 2.

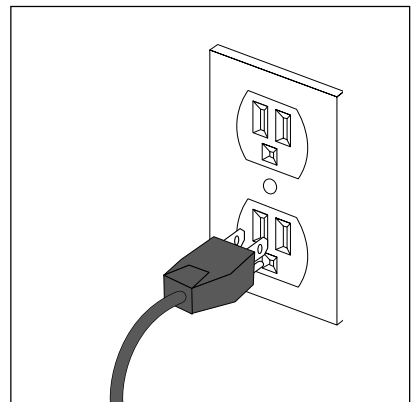
## Removing a Radio Module from the Carrier

- See "Key Components" in Chapter 2 for additional picture detail.
- Slot 6 of a carrier that has another carrier to the right of it must always contain a radio module to pass the synchronization signal to the next carrier.

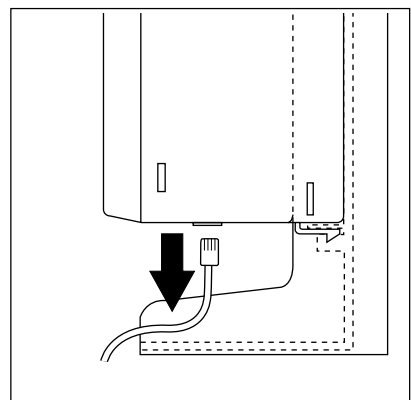
- 1** Unplug the carrier(s) power cord/AC adapter from the wall outlet.

### **IMPORTANT:**

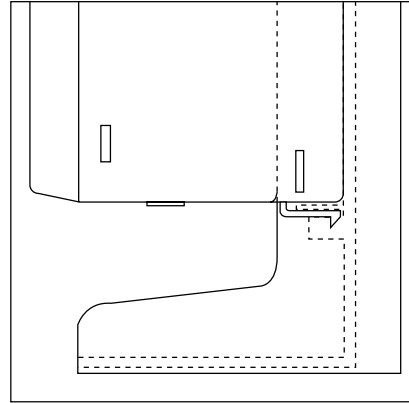
When power is disconnected from the radio module or carrier, handset features and settings are reset to the factory default settings.



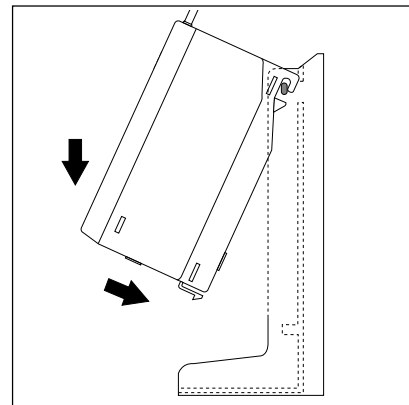
- 2** Unplug the telephone line cord from the bottom of the radio module.



- 3** Press up and hold the snap lock on the bottom rear of the radio module.

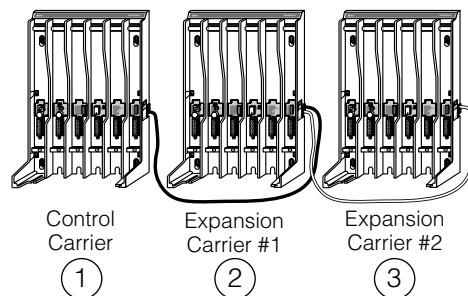


- 4** Slowly swing the radio module's card edge out of the card edge connector on the back of the carrier, releasing the snap lock when clear. Unhook the radio module from the radio module mounting rod by gently lifting upward.



- 5** If you removed a radio module from Slot 6 of a carrier that has another carrier to the right of it, you must insert another radio module into this slot. Slot 6 of any carrier must always be filled if there is another carrier to the right of it. Failure to do so will cause the carriers to be unsynchronized.

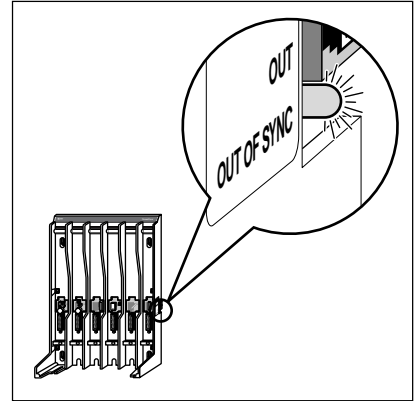
- 6** Repower the carrier. If you have multiple carriers, repower them in order from left to right, as shown below:





**7** Verify that the carrier's **Out of Sync** LED is not lit. If the LED is lit, power down and then reprogram the carrier. If the LED is still lit, follow the suggestions in the "Installation Problems" section of Chapter 5, "Troubleshooting." If the LED is still lit, call for help as described on the inside front cover of this book.

**8** Reprogram any handset features and settings that reverted to the default settings when the system was powered down (see "Changing the Handset Settings" in Chapter 3).



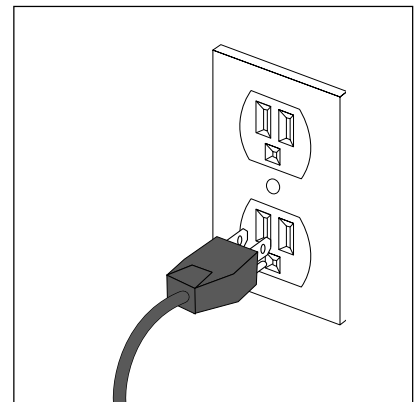
## Swapping Extensions

If you want to change your phone's extension number assignment, make sure the radio module or carrier(s) is unplugged before you unplug the telephone line cord from the communications system switch/control unit. **Power down and then reprogram the carrier(s) after all extension changes are made.**

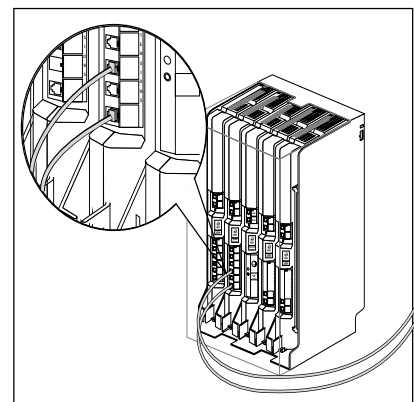
**1** Unplug the carrier(s) power cord/AC adapter from the wall outlet.

### IMPORTANT:

When power is disconnected from the radio module or carrier, handset features and settings are reset to the factory default settings.

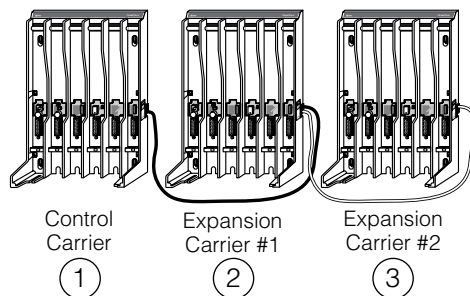


**2** Unplug the telephone line cords from the communications system switch/control unit for the extensions that you want to change.



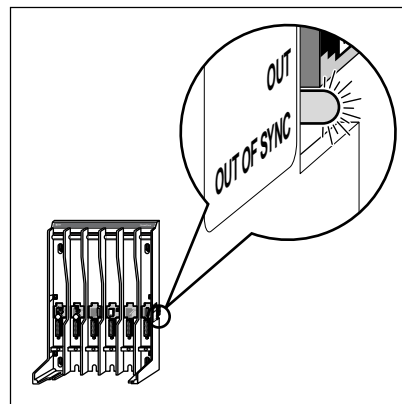
**3** Insert the telephone line cords for the extensions that you want to change into the desired extension jack or terminal/station connector on your communications system switch/control unit.

- 4** Repower the carrier. If you have multiple carriers, repower them in order from left to right, as shown below:



- 5** Verify that the carrier's **Out of Sync** LED is not lit. If the LED is lit, power down and then repower the carrier. If the LED is still lit, follow the suggestions in the "Installation Problems" section of Chapter 5, "Troubleshooting." If the LED is still lit, call for help as described on the inside front cover of this book.

- 6** Reprogram any handset features and settings that reverted to the default settings when the system was powered down (see "Changing the Handset Settings" in Chapter 3).



## **Replacing the Antenna**

If the antenna on your MDW 9030P Pocketphone handset becomes damaged, you can order a replacement antenna (see "Ordering Replacement & Optional Parts" later in this chapter), and replace it yourself.

To replace the antenna, use the following procedure:

1. Fully retract the antenna.
2. Grasping the base of the antenna, unscrew it by turning it counterclockwise.
3. Grasping the base of the new antenna, screw it into the handset in a clockwise direction.

## **Ordering Replacement & Optional Parts**

To order replacement parts or optional equipment in the continental U.S., call the Sourcebook Sales, Catalog Sales, or National Parts Sales Center toll free. When ordering, please use the part numbers shown in the table below:

<b>Item</b>	<b>Sourcebook Sales 1 800 451-2100</b>	<b>Catalog Sales 1 800 635-8866</b>	<b>National Parts Sales Center 1 800 222-PART</b>
MDW 9030P Pocketphone (Stand-Alone). Includes Radio Module and Kit of Parts	3204-05B	3204-05B	107733081 (for Pocketphone) 107586828 (for Kit of Parts)
MDW 9030P Pocketphone System (requires Carrier). Includes Radio Module, but not Kit of Parts	3204-W5B	3204-W5B	107733081
Retractable Flex Antenna for MDW 9030P Pocketphone Handset	NA	NA	847713450
Battery Pack. Includes Carrying Clip	32045A	32045A	107733107
Carrying Clip	NA	NA	847773140
Lanyard	NA	NA	407183417
MDW 9030P Pocketphone Leather Carrying Case	32043A	32043A	847877487
Power Cord/AC Adapter for Radio Module (11 foot (3.4 m))	NA	NA	847523404
Battery Charger. Includes Power Cord/AC Adapter	32047A	32047A	107733099
Power Cord/AC Adapter for Battery Charger (11 foot (3.4 m))	NA	NA	847713583
Carrier—Includes: ■ Power Cord and AC Adapter for Carrier (25 foot (7.6m)) ■ Expansion Cable for Multiple-Carrier Installation (6 foot (1.8m))	3204-CR2A	3204-CR2A	107503906
Power Cord and AC Adapter for Carrier (25 foot (7.6 m))	NA	NA	847224227
Expansion Cable for Multiple-Carrier Installation (6 foot (1.8 m))	32035A	32035A	847667870
Telephone Line Cord (8 foot (2.4 m))	NA	NA	103786794
Supra <sup>®</sup> 9030 Headset	3122-042A	3122-042A	407654490
Kit of Parts (for Stand-Alone MDW 9030P Installation)	D-182866	D-182866	107586828

Outside the continental U.S., contact your Lucent Technologies Representative or local Authorized Dealer.

---

# Troubleshooting

# 5

---

## Procedures

If you have a problem with your MDW 9030P Pocketphone, you may be able to solve it by following the procedures included in this chapter. If you cannot resolve the problem, call for customer support as described on the inside front cover of this book.

The problems in this chapter are organized as follows:

- Installation
- Handset
- Battery
- Voice Quality
- Range
- Battery Charger

## Installation Problems

Symptom	Possible Causes	Possible Solutions
One or more <b>Out of Sync</b> LEDs are lit, radio module <b>PASS</b> LEDs are not lit, or both.	Expansion cable is installed in the wrong IN or OUT jack, or is not fully inserted into the correct jack.	1. Verify that all expansion cables are installed in the correct IN and OUT jacks. 2. Ensure that all expansion cables are fully inserted into their jacks. 3. Power down, then repower the control carrier. 4. Power down, then repower the expansion carriers in order, from left to right.
	Carriers were not powered in the correct order.	
	A telephone line cord was disconnected and reconnected without powering down and repowering the carrier(s).	

## Installation Problems (continued)

Symptom	Possible Causes	Possible Solutions
After plugging the radio module or carrier into an electrical outlet, one or more radio module <b>POWER</b> and <b>PASS</b> LEDs do not light.	Radio module or carrier(s) is plugged into an electrical outlet controlled by a switch.	Plug the radio module or carrier(s) into an outlet not controlled by a switch.
	Power cord of radio module is not inserted properly.	Unplug the radio module's power cord/AC adapter from the electrical outlet and from the radio module. Carefully reinsert the power cord/AC adapter into the radio module and into the electrical outlet. Repeat for each radio module.
	Power cord of carrier(s) is not inserted properly.	Unplug the carrier's power cord from the electrical outlet. Unplug the AC adapter from the carrier and from the power cord. Carefully reinsert the AC adapter into the carrier and into the power cord. Plug the power cord back into the electrical outlet. Repeat for each carrier.
	Power cord of radio module or carrier(s) is defective.	Call for help.*
After plugging the radio module into an electrical outlet, the radio module's <b>POWER</b> LED lights, but the <b>PASS</b> LED does not light.	Radio modules are not synchronized properly.	Power down the carrier and repower it. If you have multiple carriers, repower the control carrier first, and then power the expansion carriers in order from left to right.  If the problem persists, call for help.*
	The radio module is malfunctioning.	Replace the radio module.

\* See "Customer Support" on the inside front cover of this book.

## Installation Problems (continued)

Symptom	Possible Causes	Possible Solutions
After plugging the carrier into an electrical outlet, the <b>PASS</b> LED of one or more radio modules does not light.	Radio modules are out of synchronization.	Power down the carrier and repower it. If you have multiple carriers, repower the control carrier first, and then power the expansion carriers in order from left to right.  If the problem persists, call for help.*
	A radio module is malfunctioning.	<ol style="list-style-type: none"> <li>1. Remove all but one radio module from the carrier. (See "Removing a Radio Module from the Carrier" in Chapter 4.)</li> <li>2. Test each radio module individually, verifying that the <b>POWER</b> and <b>PASS</b> LEDs on each radio module light when the carrier is powered.</li> <li>3. If the <b>PASS</b> LED does not light, the radio module is malfunctioning. Replace the radio module and handset.</li> </ol>
A defective radio module was replaced, and now all the handsets have less range than before, and the voice quality has deteriorated.	The radio module was inserted without first powering down the carrier. The carrier is out of synchronization.	Power down the carrier and repower it. If you have multiple carriers, repower the control carrier first, and then power the expansion carriers in order from left to right.  If the problem persists, call for help.*
When turned on, the handset display shows lines going on hold and line selections changing without any buttons being pressed.	Electrical outlets may not be up to specifications. Electrical problems, such as no ground or floating ground, can cause the switch to send or receive spurious current, causing problems in switch protocol.	Verify that the outlets for the communications system switch and for the carrier(s) meet electrical requirements. (See "AC Outlet Check" in Chapter 2.)

\* See "Customer Support" on the inside front cover of this book.

## Handset Problems

Symptom	Possible Causes	Possible Solutions
After pressing <b>(On/Off)</b> , one or more of the following applies: <ul style="list-style-type: none"> <li>■ Dial tone is not heard.</li> <li>■ Display does not show anything.</li> <li>■ Radio module's <b>RADIO</b> LED does not light.</li> </ul>	There is no battery pack in the handset.	Insert a battery pack in the handset.
	Battery pack is not inserted properly in the handset.	Reinsert the battery pack in the handset.
	Battery pack is not charged sufficiently.	Place the handset with its battery into the handset cradle until fully charged, or remove the handset battery pack, and place it in the battery charger's Spare battery compartment until fully charged. If you have a charged battery pack, use it while the other battery pack recharges.
	Handset is out of range of its matching radio module.	Move the handset closer to the radio module.
	Telephone line cord is not plugged into the radio module.	Power down the radio module or carrier(s). Plug the telephone line cord into the radio module, then repower the radio module or carrier(s).
	Serial numbers for the handset and the radio module do not match.	The handset and radio module must be a matched pair.
	The communications system switch is not operating properly.	Check the wiring for the switch, and verify that the switch has power.
	Another electrical device or metal walls are causing interference.	Remove the electrical device that is causing interference, or move the handset or the radio module to another location.
There was a recent occurrence of lightning or a power failure.	<ul style="list-style-type: none"> <li>■ Remove the battery pack from the handset for 10 seconds, then replace it.</li> <li>■ Check to see whether the radio module or carrier is receiving power.</li> </ul>	

## Handset Problems (continued)

Symptom	Possible Causes	Possible Solutions
You can hear the party on the other end, but they cannot hear you. <b>MUTE</b> appears in the handset display.	The <b>Mute</b> button was pressed inadvertently.	Press <b>Mute</b> again to turn off the mute feature.
When placed in the battery charger's handset cradle, the handset does not turn off.	Battery charger is plugged into an electrical outlet controlled by a switch, and the switch is turned off.	Plug the battery charger into an outlet not controlled by a switch.
	Battery charger's power cord is not inserted or is not inserted properly.	<ol style="list-style-type: none"> <li>1. Unplug the power cord/AC adapter from the electrical outlet.</li> <li>2. Disconnect the power cord/AC adapter from the battery charger.</li> <li>3. Carefully reconnect the power cord/AC adapter to the battery charger.</li> <li>4. Plug the power cord/AC adapter back into the electrical outlet.</li> </ol>
Handset does not ring or vibrate.	Alerter is disabled and vibrator is disabled.	Enable the alerter and/or the vibrator.



## Battery Problems

Symptom	Possible Causes	Possible Solutions
The <b>Battery</b> icon appears in the handset display.	This is normal operation for the MDW 9030P Pocketphone.	No action is required.
The <b>Battery</b> icon flashes in the handset display and the handset beeps twice.	Battery power is low.	<p>You have 5 minutes or less of talk time left. Either:</p> <ul style="list-style-type: none"> <li>■ Complete your call, turn the handset off, and recharge the battery pack.</li> <li>■ If you have a fully charged spare battery pack, place your call on Hold. Swap the battery packs. Wait 6 to 10 seconds, then turn the handset on and proceed as you would for any call placed on Hold.</li> </ul>
The handset battery pack does not last as long as it used to under similar conditions.	The battery pack needs to be refreshed.	When the <b>Battery</b> icon flashes, insert the handset with its battery into the handset cradle and press the <b>REFRESH</b> button, or insert the handset battery pack into the Spare battery compartment until the <b>SPARE</b> LED is steady green (1.5 hours).
You get less than 3 hours of talk time when you use a battery pack that was refreshed.	The battery pack needs to be refreshed a second time.	Refresh the battery pack.

## Voice Quality Problems

Symptom	Possible Causes	Possible Solutions
Handset voice quality and range are not as good as they were before.	A competing radio device (for example, a wireless bar-code scanner) has been installed in the area. Both products are competing for the same air space and will conflict when both are being used.	Place the handset in Wireless Test Mode as described in Chapter 2. If the signal strength and voice quality readings are low, look for a newly installed radio device nearby. Remove it or move your handset's matching radio module at least 6 feet (1.8 m) away from the potential interference.
	Radio modules are out of synchronization.	<p><b>For a single-carrier installation</b>, power down, then repower the carrier.</p> <p><b>For a multiple-carrier installation:</b></p> <ol style="list-style-type: none"> <li>1. Verify that all expansion cables are installed in the correct IN and OUT jacks.</li> <li>2. Verify that all expansion cables are fully inserted into their jacks.</li> <li>3. Power down, then repower the control carrier.</li> <li>4. Power down, then repower the expansion carriers in order, from left to right.</li> </ol>
	Antenna of the radio module is too close to the ceiling.	Reinstall the radio module or carrier(s) so that the radio module antenna is 6–12 inches (15.2–30.5 cm) from the ceiling.
	You have a malfunctioning radio module.	<ol style="list-style-type: none"> <li>1. Remove all but one radio module from the carrier. (See "Removing a Radio Module from the Carrier" in Chapter 4.)</li> <li>2. Test each radio module individually, verifying that the <b>POWER</b> and <b>PASS</b> LEDs on each radio module lights when the carrier is powered.</li> <li>3. If the <b>PASS</b> LED does not light, the radio module is malfunctioning. Replace the radio module and handset.</li> </ol>
Voice quality in a specific location is poor and noisy.	Handset is too close to the carrier(s).	Move the handset at least 6 feet (1.8 m) away for a one- or two-carrier setup, or 10 feet (3.1 m) away for a three-carrier setup.

## Voice Quality Problems (continued)

Symptom	Possible Causes	Possible Solutions
Voice quality for calls is lower than expected.	The handset antenna is only partially extended.	Fully extend the handset antenna.
	There are environmental limitations.	Reinstall the radio module or carrier away from electrical equipment and as high as possible on the wall (but with radio module antennas 6–12 inches (15.2–30.5 cm) from the ceiling). See “General Positioning Rules” in Chapter 2 for more information.
	You are using different models of handsets and the mix is incompatible with the carrier.	See "TransTalk 9000 System" in Chapter 1.
Volume is too low at any setting and there is noise on the line.	Handset or radio module is not working properly.	Place the handset in Wireless Test Mode and determine signal strength and voice quality as described in Chapter 2. Use the Close-Up Test described in "Performance/Range Test in Wireless Test Mode" in Chapter 3.
	The connection between the radio module and the communications system switch/control unit is incorrect.	Check the connection between the radio module and the communications system switch/control unit, as described in Chapter 2.
	Telephone line may be producing noise.	Report line trouble to your local phone company.
Your business has two or more wireless phones installed and all handsets seem to have developed interference problems at the same time.	There was a recent occurrence of lightning, or a power failure.	<ol style="list-style-type: none"> <li>1. Unplug the carrier(s) power cord(s) from the electrical outlet.</li> <li>2. Wait 10 seconds, then repower the carrier(s) in order, from left to right.</li> </ol>

## Voice Quality Problems (continued)

Symptom	Possible Causes	Possible Solutions
You are on a call and you hear radio interference when another call rings.	Communications system in key mode has all lines set to ring. An incoming call "wakes up" all of the other radio modules at the same time to ring the other phones.	Refer to Chapter 6, "MDW 9030P Pocketphone Compatibility," to reset line ringing options.
Voice quality for a call in progress degrades for more than 6 seconds (PARTNER, PARTNER Plus, PARTNER II in key mode, MERLIN, MERLIN Plus, and MERLIN II phone systems only).	Line ringing options are incorrectly set for extensions with radio modules in the first expansion carrier.	Refer to Chapter 6, "MDW 9030P Pocketphone Compatibility," to reset line ringing options.

## Range Problems

Symptom	Possible Causes	Possible Solutions
Handset voice quality and range are not as good as they were before.	A competing radio device (for example, a wireless bar-code scanner) has been installed in the area. Both products are competing for the same air space and will conflict when both are being used.	Place the handset in Wireless Test Mode as described in Chapter 2. If the signal strength and voice quality readings are low, look for a newly installed radio device nearby. Remove it or move your handset's matching radio module at least 6 feet (1.8 m) away from the potential interference.
	Radio modules are out of synchronization.	<p><b>For a single-carrier installation,</b> power down, then repower the carrier.</p> <p><b>For a multiple-carrier installation:</b></p> <ol style="list-style-type: none"> <li>1. Verify that all expansion cables are installed in the correct IN and OUT jacks.</li> <li>2. Verify that all expansion cables are fully inserted into their jacks.</li> <li>3. Power down, then repower the control carrier.</li> <li>4. Power down, then repower the expansion carriers in order, from left to right.</li> </ol>
	Antenna of the radio module is too close to the ceiling.	Reinstall the radio module or carrier(s) so that the radio module antenna is 6–12 inches (15.2–30.5 cm) from the ceiling.
	You have a malfunctioning radio module.	<ol style="list-style-type: none"> <li>1. Remove all but one radio module from the carrier. (See "Removing a Radio Module from the Carrier" in Chapter 4.)</li> <li>2. Test each radio module individually, verifying that the <b>POWER</b> and <b>PASS</b> LEDs on each radio module light when the carrier is powered.</li> <li>3. If the <b>PASS</b> LED does not light, the radio module is malfunctioning. Replace the radio module and handset.</li> </ol>
(Continued on next page)		

## Range Problems (continued)

Symptom	Possible Causes	Possible Solutions
(Continued) Handset voice quality and range are not as good as they were before.	Electromagnetic fields are interfering.	Look for 110/Volt lines, fuse boxes, circuit breakers, electrical junction boxes, or similar items. Move the carrier or radio module at least 6 feet (1.8 cm) away from the potential interference.
	There is a large metal object within 3 feet (1.2 m) of the radio module.	Move the carrier or radio module at least 3 feet (1.2 m) away from the potential interference.
	There is a large metal object in the "line of sight" to the radio module.	Move the metal object, or move the carrier or radio module.
After pressing <b>On/Off</b> to turn the handset on, the handset beeps and <b>RANGE</b> shows in the handset display.	Handset is out of range of its matching radio module.	Move the handset closer to the radio module.
	An electrical device is interfering with your communications link.	Remove the interfering device or power it off, or move the handset to another location.
Range for calls is lower than expected.	The handset antenna is only partially extended.	Fully extend the handset antenna.
	There are environmental limitations.	Reinstall the radio module or carrier away from electrical equipment and as high as possible on the wall (but with radio module antennas 6–12 inches (15.2–30.5 cm) from the ceiling). See "General Positioning Rules" in Chapter 2 for more information.
	You are using different models of handsets and the mix is incompatible with the carrier.	See "TransTalk 9000 System" in Chapter 1.

## Range Problems (continued)

Symptom	Possible Causes	Possible Solutions
No ring on an incoming call, and <b>RANGE</b> appears in handset display.	Handset is out of range of its matching radio module.	Move the handset closer to the radio module.
While you are talking and walking, the handset beeps and <b>RANGE</b> flashes in the handset display.	Handset antenna is not fully extended.	Fully extend the handset antenna.
	You are approaching an out-of-range condition.	Move back towards the handset's matching radio module until the display stops showing <b>RANGE</b> .
While talking and walking, the handset beeps and <b>RANGE</b> flashes in the handset display. You keep walking away from the handset's matching radio module, the display goes blank, and your call appears to be disconnected.	You are out of range of the radio module. <b>YOUR CALL HAS NOT BEEN DISCONNECTED. IT HAS BEEN PLACED ON HOLD.</b>	Move back towards the radio module. Press <b>(On/Off)</b> , then proceed as you would for any call placed on Hold.
After placing a call on Hold, you walk away from the handset's matching radio module. Your handset beeps, the handset display flashes <b>RANGE</b> , and your call appears to be disconnected.	You are out of range of the radio module. <b>YOUR CALL HAS NOT BEEN DISCONNECTED. IT IS STILL ON HOLD.</b>	Move back towards the radio module. Press <b>(On/Off)</b> , then proceed as you would for any call placed on Hold.

## Battery Charger Problems

Symptom	Possible Causes	Possible Solutions
No LEDs on battery charger light.	Battery charger is plugged into an electrical outlet controlled by a switch and the switch is turned off.	Plug the battery charger into an outlet not controlled by a switch.
<b>HANDSET</b> LED on battery charger does not light when handset is placed in battery charger.	Handset is not seated properly in battery charger's handset cradle.	Reseat the handset in the battery charger's handset cradle, as described in Chapter 3.
	The contacts in the handset cradle or on the battery pack are dirty.	<ol style="list-style-type: none"> <li>1. Verify that there are no obstructions on the handset or battery charger contacts.</li> <li>2. Unplug the charger and clean the contacts with a soft eraser.</li> <li>3. Clean the handset contacts with a soft eraser.</li> </ol>
	The battery pack is defective.	<p>If you have a fully charged spare battery pack, use it to replace the battery pack in the handset.</p> <ol style="list-style-type: none"> <li>1. Place the questionable battery pack in the battery charger's Spare battery compartment.</li> <li>2. Wait one minute. If the <b>SPARE</b> LED flashes red, order a new battery pack.</li> </ol>



## Battery Charger Problems (continued)

Symptom	Possible Causes	Possible Solutions
HANDSET LED flashes red.	Battery pack is defective.	<p>If you have a battery pack in the handset and one in the Spare battery compartment, remove both battery packs from the charger to clear the red flashing LED. Then test each battery pack separately as follows:</p> <ol style="list-style-type: none"> <li>Place the battery pack in the battery charger's Spare battery compartment.</li> <li>Wait one minute. If the <b>SPARE</b> LED flashes red, order a new battery pack.</li> </ol>
	The contacts in the handset cradle or on the battery pack are dirty.	<ol style="list-style-type: none"> <li>Verify that there are no obstructions on the handset or battery charger contacts.</li> <li>Unplug the charger and clean the contacts with a soft eraser.</li> <li>Clean the handset contacts with a soft eraser.</li> </ol>
	Handset is not seated properly in battery charger's handset cradle.	Reseat the handset in the battery charger's handset cradle, as described in Chapter 3.

## Battery Charger Problems (continued)

Symptom	Possible Causes	Possible Solutions
<b>SPARE</b> LED on battery charger does not light when the battery pack is placed in Spare battery compartment.	The battery pack is not seated properly in Spare battery compartment.	Reseat the battery pack in the battery charger's Spare battery compartment.
	The contacts on the battery pack or in the Spare battery compartment are dirty.	<ol style="list-style-type: none"><li>1. Verify that there are no obstructions on the battery pack or battery charger contacts.</li><li>2. Unplug the charger and clean the contacts with a soft eraser.</li><li>3. Clean the battery pack contacts with a soft eraser.</li></ol>
	The battery pack is defective.	<ol style="list-style-type: none"><li>1. Insert the questionable battery pack in the handset and place the handset in the handset cradle.</li><li>2. Wait one minute. If the <b>HAND-SET</b> LED flashes red, order a new battery pack.</li></ol>

## Battery Charger Problems (continued)

Symptom	Possible Causes	Possible Solutions
SPARE LED flashes red.	Battery pack is defective.	<p>If you have a battery pack in the handset and one in the Spare battery compartment, remove both battery packs from the charger to clear the red flashing LED. Then test each battery pack separately as follows:</p> <ol style="list-style-type: none"> <li>1. Insert the battery pack in handset and place the handset in the battery charger's handset cradle.</li> <li>2. Wait one minute. If the <b>HANDSET</b> LED flashes red, order a new battery pack.</li> </ol>
	The contacts on the battery pack or in the battery charger's Spare battery compartment are dirty.	<ol style="list-style-type: none"> <li>1. Verify that there are no obstructions on the battery pack or battery charger contacts.</li> <li>2. Unplug the charger and clean the contacts with a soft eraser.</li> <li>3. Clean the battery pack contacts with a soft eraser.</li> </ol>
	The battery pack is not seated properly in Spare battery compartment.	Reseat the battery pack in the battery charger's Spare battery compartment, as described in Chapter 3.

# MDW 9030P Pocketphone Compatibility

# 6

## Programming and Call Handling Instructions

The MDW 9030P Pocketphone can display the status of up to 12 telephone lines, but the number of lines supported by compatible communications system switches varies. After you have installed your MDW 9030P and understand the controls and displays, use the programming and call handling instructions that come with your communications system; follow the user instructions for the phone type identified below:

For this release	Of this communications system...	Use the instructions for a...
R1, R2, R3, R4	PARTNER®	MLS-12D phone* (Apparatus code 7311H)
R1, R3, R4	PARTNER® II	
R1, R2, R3, R4	PARTNER® Plus	
FP 1&2	MERLIN® (206, 410)	BIS-22D phone (Apparatus code 7315H)
FP 2	MERLIN® (820)	
FM 1, 2, 3, 4, & 5	MERLIN® (1030, 3070)	
FM 1, 2, R3	MERLIN® II	
R1, R2	MERLIN® Plus	
R1, R1.1, R2, R2.1, R3	MERLIN LEGEND®	
R1V1, R1V2, R2, R3V1, R3V2, R3V3	System 25	
R1V1, R1V2, R1V3	System 75	
R2V1, R2V2, R2V3, R2V4	System 85	
G1, G2, G3	DEFINITY®	

**Legend:** R=Release, V=Version, FP=Feature Package, FM=Feature Module, G=Generic

\* PARTNER Plus or PARTNER II Release 4.1 communications system users can order documentation for MLS telephones by calling 1 800 457-1235 or 1 317 361-5353 and asking for Order Number 107794331.

---

**NOTE:**

The MDW 9030P Pocketphone is fully compatible with the PARTNER family of communication systems. For the remaining communications systems, however, you must carefully note the functional differences between your wireless phone and the phone type identified in the table on the previous page. Differences are summarized on the following pages.

Some systems do not support display features. In these cases, the display is not available; the MDW 9030P works as a nondisplay set.

## **Programming Features for PARTNER, MERLIN, and MERLIN LEGEND Systems**

On all PARTNER, MERLIN, and MERLIN LEGEND systems, you can assign a feature to an available button (a button that does not have a line or another feature assigned to it):

1. To enter programming mode, turn on the handset, press **(Intercom)**, then press **(Feat/P)** followed by **(0) (0)**.
2. Press the Select button (**(▲)**) to move the Selection rectangle to the row of line indicators containing the available button.
3. Press the Column button (**(△)**) under the button that you want.
4. Program the feature (using the procedure described in the manual for your PARTNER, MERLIN, or MERLIN LEGEND communications systems).

**NOTE:**

Some features provide a visual indication in the handset display that the feature is turned on. Be aware that if you turn off the handset while using one of these features, you may forget that the feature is on. To verify the status of a such a feature, you can simply press the **(▲)** button to "wake up" the phone and activate the display.

5. To exit programming mode, press **(Feat/P)** followed by **(0) (0)** or turn off the handset.

**NOTE:**

The above instructions do not apply to System 25, System 75, System 85, and DEFINITY systems, because in those systems, features are assigned by the System Administrator.

# Communications System Compatibility

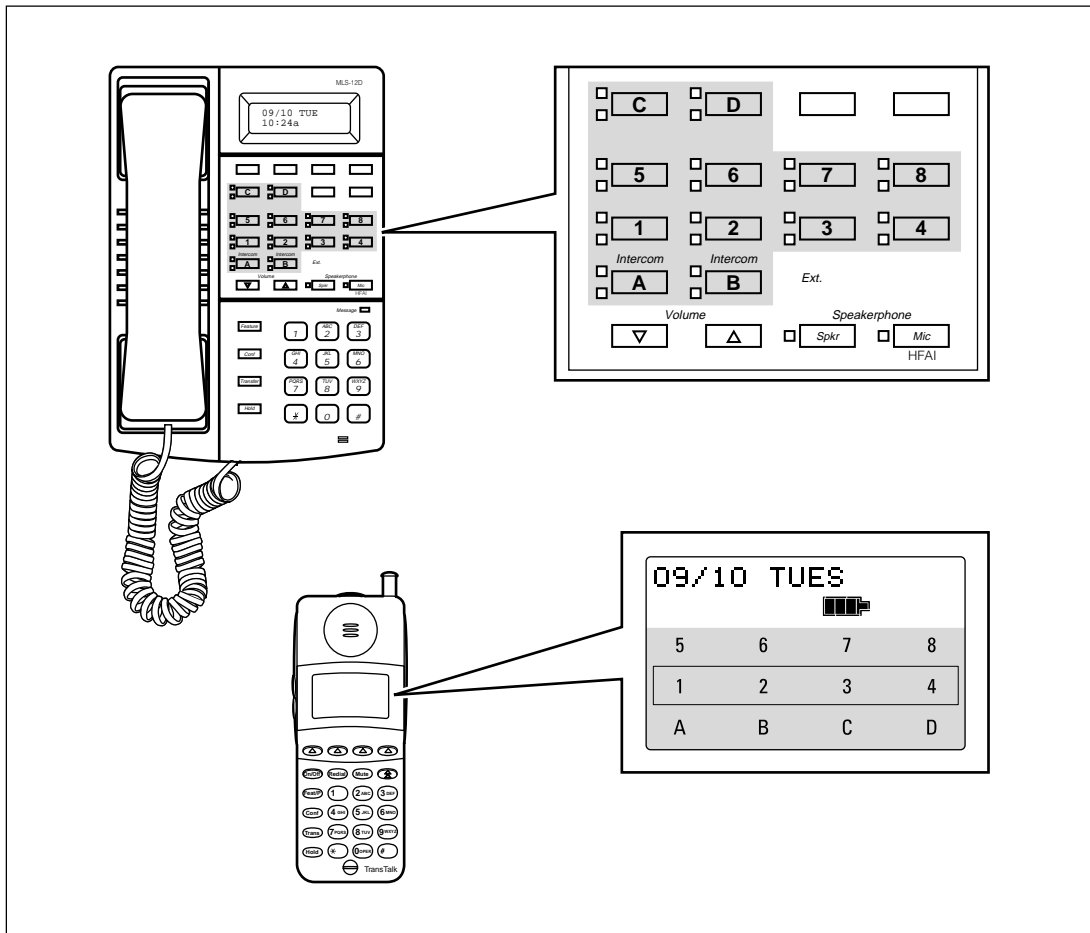
This section describes some communications-system-dependent programming to help you optimize the performance of your MDW 9030P Pocketphone. It also describes how the buttons on a wired phone for your communications system map to the buttons on your MDW 9030P. Turn to the information appropriate to your communications system:

- PARTNER
- MERLIN
- System 25, System 75, System 85, and DEFINITY

## PARTNER Systems

### Button Mapping for PARTNER Systems

On PARTNER systems, the MDW 9030P emulates an MLS-12D telephone. Following is a diagram of the button assignments on an MLS-12D phone and the corresponding assignments on the MDW 9030P Pocketphone.



## Setting the Line-Ringing Options

Use the following guidelines to ensure optimal voice quality when using MDW 9030P Pocketphones with a PARTNER, PARTNER Plus, or PARTNER II system in key mode:

Telephone Communications System	System with Two Carriers (one control and one expansion carrier)	System with Three Carriers (one control and two expansion carriers)
PARTNER	<ol style="list-style-type: none"> <li>1. Set Line Ringing for each extension that has a radio module in the control carrier to <b>Ring</b>.</li> <li>2. Set Line Ringing for each extension that has a radio module in the expansion carrier to <b>No Ring</b>. (Install an external audible alert for these extensions.)</li> </ol>	Not applicable: PARTNER supports up to 12 phones.
PARTNER Plus, PARTNER II	<ol style="list-style-type: none"> <li>1. Set Line Ringing for each extension that has a radio module in the control carrier to <b>Ring</b>.</li> <li>2. Set Line Ringing for each extension that has a radio module in the expansion carrier to <b>Delayed Ring</b>.</li> </ol>	<ol style="list-style-type: none"> <li>1. Set Line Ringing for each extension that has a radio module in the control carrier to <b>Ring</b>.</li> <li>2. Set Line Ringing for each extension that has a radio module in expansion carrier #1 to <b>Delayed Ring</b>.</li> <li>3. Set Line Ringing for each extension that has a radio module in expansion carrier #2 to <b>No Ring</b>. (Install an external audible alert for these extensions.)</li> </ol>

### NOTE:

For PARTNER II hybrid systems that use pooled lines, set the Line Ringing options as described in the above table if more than six MDW 9030P Pocketphone handsets have the same pooled line appearance.

---

## MERLIN Systems

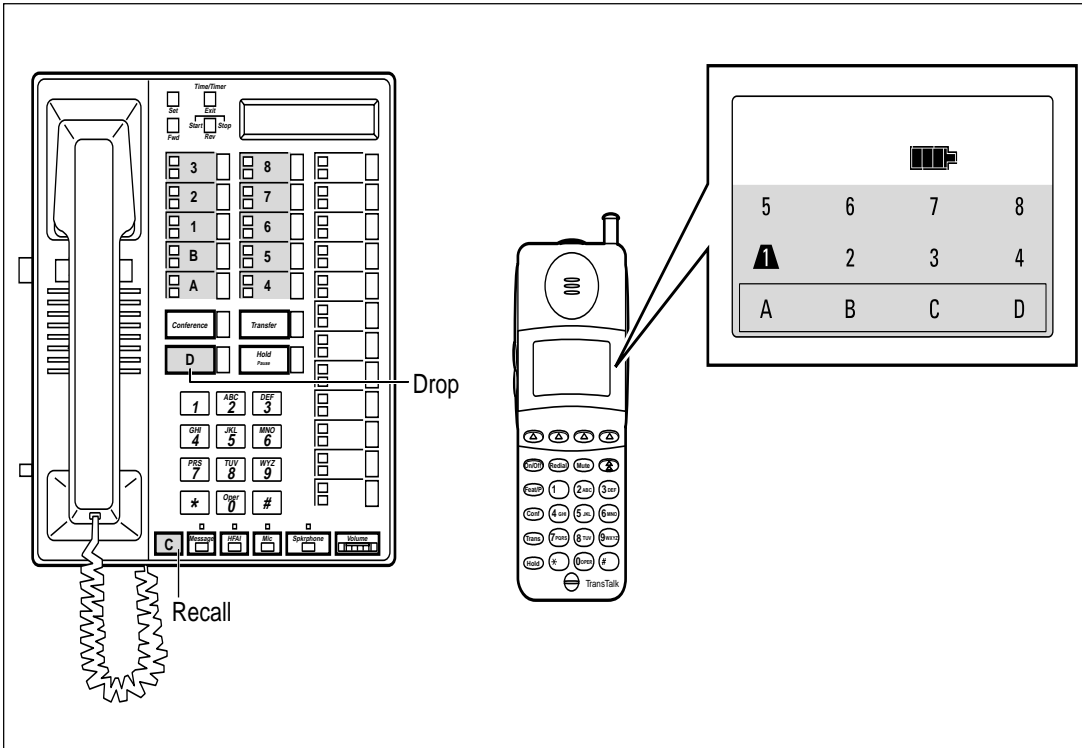
---

- On MERLIN II and MERLIN LEGEND systems, you must connect your wireless phone to an available jack on either a 408 outside line/analog telephone module or a 008 analog telephone module.
- Since the MDW 9030P does not have a speaker function, the Voice Announce feature must be disabled. It is recommended that you use MERLIN 206/410/820 systems installed with Feature Package 2 with your wireless phone, so that you can disable that feature.
- Since the MDW 9030P has no speaker function, it should not be assigned to a paging group.
- To program the Ringing Option feature, use the “triangle” and “rectangle” indicators in the display as the equivalent of red and green LEDs, respectively.
- For MERLIN II system users, if you program an Auto Intercom button, idle line preference must be set to intercom.
- If any of your incoming lines has the call waiting feature, use the Recall feature (letter "C" in the display) and press it before you pick up a waiting call. You can dial (#) (5) (0) before you pick up a waiting call on the following: MERLIN 206/410/820 systems only with Feature Package 2, and all MERLIN Plus, MERLIN II, and MERLIN 1030/3070 systems. Pressing the (On/Off) button disconnects the call.
- The (Feat/P) button on the MDW 9030P allows you only to enter programming mode. It does not work when using MERLIN LEGEND system features. To use MERLIN LEGEND system feature codes with this phone, program any available button as a System Feature button. This enables you to use the wide array of MERLIN LEGEND system features by turning the set on, pressing the System Feature button, and dialing the appropriate “ \* ” code number.



## Button Mapping for MERLIN Systems except MERLIN 410 and MERLIN 820

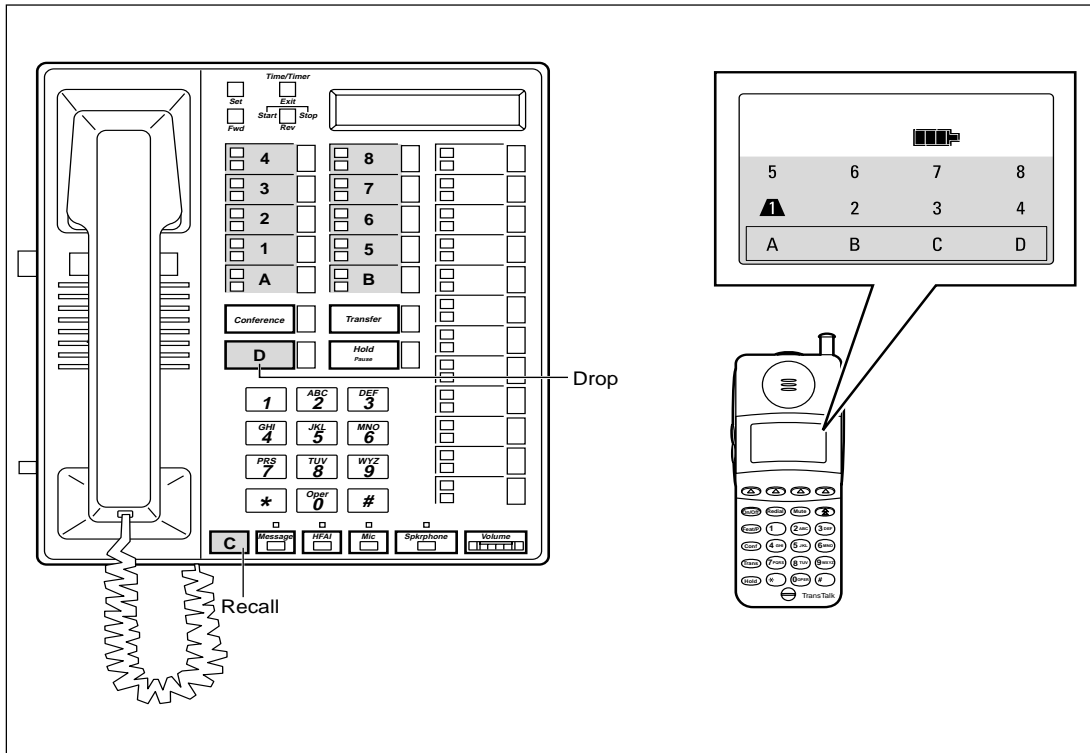
On all MERLIN systems, the MDW 9030P emulates a Model BIS-22D phone (Apparatus Code 7315H). However, the BIS-22D button assignments differ depending on the MERLIN system used. Following is a diagram of the BIS-22D button assignments and the corresponding assignments on the MDW 9030P for all MERLIN systems except MERLIN 410 and MERLIN 820. (See the next section for button mapping for MERLIN 410 and MERLIN 820 systems).



The button labeled C and the button labeled D on the MDW 9030P Pocketphone display automatically default to the buttons labeled C (Recall) and D (Drop), respectively, on the 7315H phones.

## Button Mapping for MERLIN 410 and MERLIN 820 Systems

Following is a diagram of the button assignments on a BIS-22D phone used for MERLIN 410 and 820 systems, and the corresponding assignments on the MDW 9030P Pocketphone. (See the previous section for button mapping for all other MERLIN systems, including MERLIN LEGEND systems).



The button labeled C and the button labeled D on the MDW 9030P Pocketphone display automatically default to the buttons labeled C (Recall) and D (Drop), respectively, on the 7315H phones.

## Setting the Line Ringing Options

Use the following guidelines to ensure optimal voice quality when using MDW 9030P Pocketphones with MERLIN, MERLIN Plus, and MERLIN II:

Telephone Communications System	System with Two Carriers (one control and one expansion carrier)	System with Three Carriers (one control and two expansion carriers)
MERLIN, MERLIN II, MERLIN Plus	<ol style="list-style-type: none"> <li>1. Set Line Ringing for each extension that has a radio module in the control carrier to <b>Ring</b>.</li> <li>2. Set Line Ringing for each extension that has a radio module in the expansion carrier to <b>Delayed Ring</b>.</li> </ol>	<ol style="list-style-type: none"> <li>1. Set Line Ringing for each extension that has a radio module in the control carrier to <b>Ring</b>.</li> <li>2. Set Line Ringing for each extension that has a radio module in expansion carrier #1 to <b>Delayed Ring</b>.</li> <li>3. Set Line Ringing for each extension that has a radio module in expansion carrier #2 to <b>No Ring</b>. (Install an external audible alert for these extensions.)</li> </ol>

### NOTE:

For MERLIN LEGEND systems that use pooled lines, set the Line Ringing options as described in the above table if more than six MDW 9030P Pocketphone handsets have the same pooled line appearance.

---

## **System 25, System 75, System 85, and DEFINITY Systems**

---

- This phone must be administered as a BIS-22D MERLIN set (Apparatus Code 7315H) for the following systems:
  - System 25
  - System 75—R1V1, R1V2, and R1V3
  - System 85—R2V1, R2V2, R2V3, and R2V4
  - DEFINITY G1 (R1V4)
  - DEFINITY G2—G2.1 and G2.2—(R2V5, R2V6)
  - DEFINITY G3 Version 1 (R1V5)
  - DEFINITY G3 Version 1.1 and Version 2Native terminal administration is provided in DEFINITY G3 Version 3.
- To connect the communications system switch and the MDW 9030P Pocketphone, use the following:
  - An ANN17B Hybrid pack in conjunction with a DS-1 carrier for older communications system switches that do not accommodate Universal modules (System 85 –R2V1, R2V2, R2V3, and R2V4)
  - Either a TN762B Hybrid pack or a ZTN79 ATL pack for System 25
  - A TN762B Hybrid pack for newer communications system switches that accommodate Universal modules:
    - System 75 – R1V1, R1V2, and R1V3
    - DEFINITY G1 (R1V4)
    - DEFINITY G3 Version 1 (R1V5)
    - DEFINITY G3 Version 1.1 and Version 2
    - DEFINITY G3 Version 3
  - Either a TN762B or an ANN17B Hybrid pack for DEFINITY G2 (G2.1 and G2.2), depending upon the actual hardware configuration.

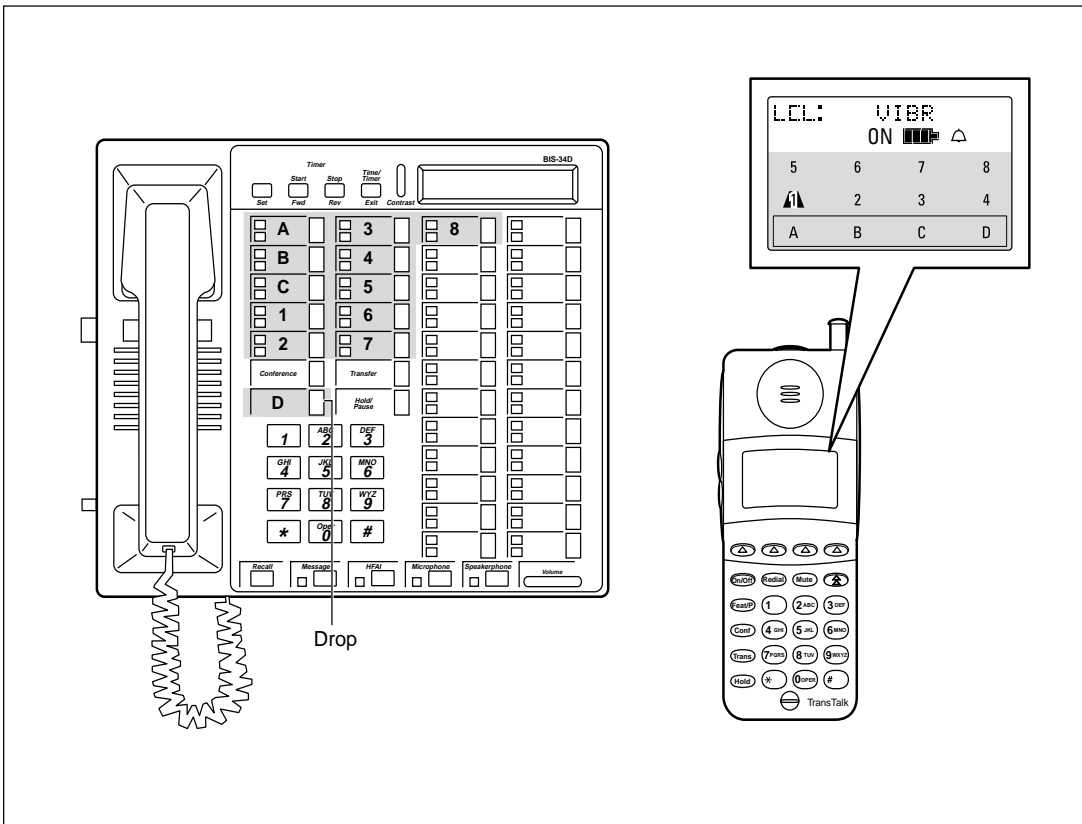
### **NOTE:**

For DEFINITY G2.1 and G2.2, General Terminal Administration (GTA) can be used to set up “custom” set types so that administration can be done using that custom set type.

- System 25 users cannot program Recall for use with systems such as Centrex.
- Only the System Administrator can assign features. Use the following guidelines:
  - Do not assign the following features: Auto Answer, Inspect, Directory, Next, Local, Call, and Manual Callback Queuing.
  - If programming the Flex DSS or Repertory Dial feature, dial the number to be recorded and push the button you are assigning to the feature. You will hear 3 short beeps and a dial tone to confirm programming.
  - If you are programming numbers for the Station Speed Dial feature, dial the numbers to be stored then dial the Personal Speed Dialing code (#20 through #39), including the (#). Listen for a confirmation tone followed by a dial tone.
  - It is recommended that you do not use features that require visuals to be updated while the set is turned off.
  - Some features, such as Send All Calls, provide visual indication that the feature is turned on. Make users aware that if they turn off the handset when using such a feature, they may forget that the feature is on.

## Button Mapping for DEFINITY Systems, System 25, System 75, and System 85

On DEFINITY systems, System 25, System 75, and System 85, the MDW 9030P emulates a BIS-22D phone (Apparatus Code 7315H). Following is a diagram of the BIS-22D button assignment, and the corresponding assignments on the MDW 9030P for DEFINITY systems, System 25, System 75, and System 85.



The 7315H phones are programmed for DEFINITY systems using three STATION Administration screens. Enter 7315H in the Type field on the first screen to bring up the next two screens.

```

Page 1 of 3
STATION
Extension: _____ BCC: 0 COR: 1
Type: 7315H Lock Messages: n COS: 1
Name: _____ Coverage Path: ____

FEATURE OPTIONS
LWC Reception? msa-spe Coverage Msg Retrieval? y
LWC Activation? y Auto Answer: none
CDR Privacy? n Data Restriction? n
Redirect Notification? y Idle Appearance Pattern: n
Bridged Call Alerting? n Personalized Ringing Pattern: 1
Active Station Ringing: single Restrict Last Appearance? y
Display Module? y
AUDIX Name: _____
Messaging Server Name: _____ Audible Message Waiting? n
  
```

The following illustrations show in parentheses the MDW 9030P Pocketphone button assignments on Pages 2 and 3 of the STATION Administration screens. The button labeled D on the MDW 9030P Pocketphone display automatically defaults to the button labeled D (Drop) on the 7315H phones.

Page 2 of 3

STATION

SITE DATA

Room: \_\_\_\_\_ Headset? n: \_\_\_\_\_  
 Jack: \_\_\_\_\_ Speaker? n: \_\_\_\_\_  
 Cable: \_\_\_\_\_ Mounting? d: \_\_\_\_\_  
 Floor: \_\_\_\_\_ Cord Length: 0\_  
 Building: \_\_\_\_\_ Set Color: \_\_\_\_\_

ABBREVIATED DIALING

List1: \_\_\_\_\_ List2: \_\_\_\_\_ List3: \_\_\_\_\_

BUTTON ASSIGNMENTS

1: (A) _____	6: (3) _____
2: (B) _____	7: (4) _____
3: (C) _____	8: (5) _____
4: (1) _____	9: (6) _____
5: (2) _____	10: (7) _____

Page 3 of 3

STATION

FEATURE BUTTON ASSIGNMENTS

1: (B) _____	13: _____
2: _____	14: _____
3: _____	15: _____
4: _____	16: _____
5: _____	17: _____
6: _____	18: _____
7: _____	19: _____
8: _____	20: _____
9: _____	21: _____
10: _____	22: _____
11: (Scroll) _____	23: _____
12: (Display) _____	24: _____

For DEFINITY systems, you must assign the Scroll and Display features to buttons. If your users do not need these features, assign them to "nonappearing" MDW 9030P Pocketphone buttons; the buttons represented by the numbers 1 through 8 on the Pocketphone display can then be used for features the users want. The Scroll and Display features shown on Page 3 of the STATION Administration screens are assigned to buttons 11 and 12 (which cannot be accessed from MDW 9030P Pocketphones).

## Setting the Line Ringing Options

Use the following guidelines to ensure optimal voice quality when using MDW 9030P Pocketphones with System 25, System 75, System 85, and DEFINITY systems:

Telephone Communications System	System with Two Carriers (one control and one expansion carrier)	System with Three Carriers (one control and two expansion carriers)
System 25, System 75, System 85, DEFINITY Systems	<ol style="list-style-type: none"> <li>1. Set Line Ringing for each extension that has a radio module in the control carrier to <b>Ring</b>.</li> <li>2. Set Line Ringing for each extension that has a radio module in the expansion carrier to <b>Delayed Ring</b>.</li> </ol>	<ol style="list-style-type: none"> <li>1. Set Line Ringing for each extension that has a radio module in the control carrier to <b>Ring</b>.</li> <li>2. Set Line Ringing for each extension that has a radio module in expansion carrier #1 to <b>Delayed Ring</b>.</li> <li>3. Set Line Ringing for each extension that has a radio module in expansion carrier #2 to <b>No Ring</b>. (Install an external audible alert for these extensions.)</li> </ol>

### NOTE:

For System 25, System 75, System 85, and DEFINITY systems that use pooled lines, set the Line Ringing options as described in the above table if more than six MDW 9030P Pocketphone handsets have the same pooled line appearance.

---

# Warranty and Repair Information



---

## **Lucent Technologies Limited Warranty and Limitation of Liability**

Lucent Technologies warrants to you, the customer, that your wireless telephone system will be in good working order on the date Lucent Technologies or its Authorized Dealer delivers or installs the system, whichever is later ("Warranty Date"). If you notify Lucent Technologies or its Authorized Dealer within one year of the Warranty Date that your system is not in good working order, Lucent Technologies will without charge to you repair or replace, at its option, the system components that are not in good working order. Repair or replacement parts may be new or refurbished and will be provided on an exchange basis. If Lucent Technologies determines that your system cannot be repaired or replaced, Lucent Technologies will remove the system and, at your option, refund the purchase price of your system or apply the purchase price towards the purchase of another Lucent Technologies system.

If you purchased your system directly from Lucent Technologies, Lucent Technologies will perform warranty repair in accordance with the terms and conditions of the specific type of Lucent Technologies maintenance coverage you selected. A written explanation of Lucent Technologies's types of maintenance coverage may be obtained from Lucent Technologies by calling 1 800 247-7000 (in the continental U.S. only). If you purchased your system from an Lucent Technologies Authorized Dealer, contact your dealer for the details of the maintenance plan applicable to your system.

This Lucent Technologies limited warranty covers damage to the system caused by power surges. Unless otherwise expressly agreed to in a written agreement signed by Lucent Technologies, Lucent Technologies will not be responsible under this limited warranty for damages resulting from:

- Failure to follow Lucent Technologies's installation, operation, or maintenance instructions;
- Unauthorized system modification, movement, or alteration;
- Unauthorized use of common carrier communication services accessed through the system;



- 
- Abuse, misuse, or negligent acts or omissions of the customer and persons under the customer's control; or
  - Acts of third parties and acts of God. LUCENT TECHNOLOGIES'S OBLIGATION TO REPAIR, REPLACE, OR REFUND, AS SET FORTH ABOVE, IS YOUR EXCLUSIVE REMEDY.

EXCEPT AS SPECIFICALLY SET FORTH ABOVE, Lucent Technologies, ITS AFFILIATES, SUPPLIERS, AND DEALERS MAKE NO WARRANTIES, EXPRESS OR IMPLIED, AND SPECIFICALLY DISCLAIM ANY WARRANTIES OF MERCHANTABILITY OR FITNESS FOR A PARTICULAR PURPOSE.

## **Limitation of Liability**

---

*Except as provided below, the liability of Lucent Technologies and its affiliates and suppliers for any claims, losses, damages, or expenses from any cause whatsoever (including acts or omissions of third parties), regardless of the form of action, whether in contract, tort, or otherwise, shall not exceed the lesser of: (1) the direct damages proven; or (2) the repair cost, replacement cost, license fee, annual rental charge, or purchase price, as the case may be, of the equipment that directly gives rise to the claim. Except as provided below, Lucent Technologies and its affiliates and suppliers shall not be liable for any incidental, special, reliance, consequential, or indirect loss or damage incurred in connection with the equipment. As used in this paragraph, consequential damages include, but are not limited to, the following: lost profits, lost revenues, and losses arising out of unauthorized use (or charges for such use) of common carrier telecommunications services or facilities accessed through or connected to the equipment. For personal injury caused by Lucent Technologies's negligence, Lucent Technologies's liability shall be limited to proven damages to person. No action or proceeding against Lucent Technologies or its affiliates or suppliers may be commenced more than twenty-four (24) months after the cause of action accrues. THIS PARAGRAPH SHALL SURVIVE FAILURE OF AN EXCLUSIVE REMEDY.*

## **Repair Information**

---

Outside the continental U.S., contact your Lucent Technologies Representative or local Authorized Dealer for warranty and repair information applicable to your system.

### **In-Warranty Repairs**

---

If you purchased or leased your system directly from Lucent Technologies, Lucent Technologies will repair it free of charge during the one-year warranty period. Simply call for customer support as instructed on the inside front cover of this book.

Business-Day service is standard during the warranty period. Business-Day service is performed during normal business hours. (Around-the-Clock service is not available for phones.)

If you purchased or leased your system through a Lucent Technologies Authorized Dealer, contact your dealer for repairs.

---

## **Post-Warranty Repairs**

---

If you purchased the system from Lucent Technologies and you have a post-warranty service contract, Lucent Technologies service is provided under the terms of that contract.

To significantly reduce unexpected repair costs after the warranty period, you can purchase a post-warranty service contract from Lucent Technologies. If you do not have a contract, Lucent Technologies service is provided on a time-and-materials basis by calling for customer support as instructed on the inside front cover of this book. A contract provides to you, within the applicable coverage period and response times, service calls with no charge for parts and labor on covered repairs. To order a post-warranty service contract, call 1 800 247-7000 (in the continental U.S. only).

If you leased your system from Lucent Technologies, Business-Day service is included in your lease.

If you purchased or leased your system through a Lucent Technologies Authorized Dealer, contact your dealer for repairs.

---

## Regulatory Information

# B

---

This appendix contains information about the Federal Communications Commission and Industry Canada.

### FCC Part 15 Rules

The Lucent Technologies MDW 9030P Wireless Pocketphone has been tested and has been found to comply with *FCC Part 15 Rules*. These specifications are designed to provide reasonable protection against harmful interference in a commercial or residential installation. This wireless telephone generates, uses, and can radiate radio frequency energy and, if not installed and used in accordance with the instructions, may cause harmful interference to radio communications. However, there is no guarantee that interference will not occur in a particular installation. If the telephone does cause harmful interference to radio or television reception, which can be determined by turning the telephone off and on, the user is encouraged to try to correct the interference by one or more of the following measures:

- Where it can be done safely, reorient the receiving television or radio antenna.
- To the extent possible, relocate the television, radio, or other receiver with respect to the telephone.
- Plug the telephone into an electrical outlet that is not on the same circuit as one used by the radio or television.

### IC RSS-210 Compliance

This device complies with RSS-210 of Industry Canada. Operation is subject to the following two conditions:

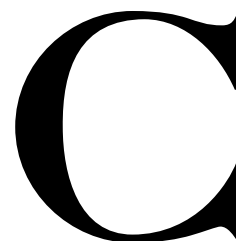
1. This device may not cause interference.
2. This device must accept any interference including interference that may cause undesirable operation of the device.

The user is cautioned that modifications to this telephone, not expressly approved by Lucent Technologies, could void the user's authority to operate the equipment.

### Hearing Aid Compatibility

This wireless telephone is compatible with inductively-coupled hearing aids.

# Specifications



## GENERAL

<b>Model:</b>	MDW 9030P Wireless Pocketphone		
<b>Dimensions and Weights:</b>	Handset	6.0"(L) x 1.0"(D) x 2.25"(W) 15.24 x 2.54 x 5.71 cm	0.33 lbs 0.15 kgs
	Handset w/Battery Pack	6.0"(L) x 1.0"(D) x 2.25"(W) 15.24 x 2.54 x 5.71 cm	0.55 lbs 0.25 kgs
	Battery Charger (BC)	9.75"(L) x 5.13"(H) x 3.94"(W) 24.77 x 13.03 x 10.01 cm	1.00 lbs 0.45 kgs
	Battery Charger w/ Battery Pack	9.75"(L) x 5.13"(H) x 3.94"(W) 24.77 x 13.03 x 10.01 cm	1.22 lbs 0.55 kgs
	Battery Pack	3.0"(L) x .75"(H) x 2.5"(W) 7.6 x 1.9 x 6.35 cm	0.22 lbs 0.10 kgs
	Headset w/Cord (approx.)	10.5"(L) x 1.2"(H) x 5.6"(W) 26.67 x 3.05 x 14.22 cm	0.17 lbs 0.08 kgs
	Radio Module (RM)	12.1"(L) x 1.5"(H) x 5.5"(W) 30.73 x 3.81 x 13.97 cm	1.50 lbs 0.68 kgs
	Carrier (CA)	14.0"(L) x 2.5"(H) x 9.0"(W) 35.56 x 6.35 x 22.86 cm	3.00 lbs 1.36 kgs
	Carrier w/6 RMs	14.0"(L) x 2.5"(H) x 9.0"(W) 35.56 x 6.35 x 22.86 cm	12.00 lbs 5.44 kgs
	Power Supply (BC)	3.35"(L) x 2.70"(H) x 2.19"(W) 8.50 x 6.85 x 5.55 cm	1.75 lbs 0.80 kgs
	Power Supply (RM)	3.19"(L) x 1.94"(H) x 2.17"(W) 8.09 x 4.92 x 5.50 cm	1.10 lbs 0.50 kgs
	Power Supply (CA)	5.13"(L) x 1.6"(H) x 1.6"(W) 13.03 x 4.06 x 4.06 cm	1.70 lbs 0.77 kgs
<b>Operating Temperature:</b>	Temperature range:	4.4° C (40° F) to 40° C (104° F)	
	Relative humidity:	15% to 95%	

<b>GENERAL (continued)</b>		
<b>Electrical Specifications: (Power)</b>	Handset	1.0 watt
	Battery Charger (BC)	15 watts
	Radio Module (RM)	4.0 watts
	Carrier (CA) w/6 RMs	24.0 watts
	Power Supply (BC)	15 watts (10V 1.5 A)
	Power Supply (RM)	6.0 watts (10V 600mA)
	Power Supply (CA)	30.0 watts (9V)
<b>Battery Pack Life:</b>	Nickel Metal Hydride	3 hours talk time/22 hours standby time
<b>RF SYSTEM PARAMETERS</b>		
<b>Frequency Band:</b>	902 – 928 MHz	
<b>Channel Spacing:</b>	150 KHz	
<b>Total Channel Capability:</b>	50 (Channels Dynamically allocated out of 173)	
<b>Duplex Method:</b>	Time Division Duplex (TDD) (Transmit and Receive on same frequency)	
<b>Transmitter Output Power:</b>	Dynamic Power Adjustment: 1mW ERP Minimum to 160mW ERP Maximum	
<b>Receiver Sensitivity:</b>	-103 dBm at Antenna Port	
<b>OTHER</b>		
<b>Electrical Requirements:</b>	<ul style="list-style-type: none"> <li>■ 105 –130VAC, 50 –60 Hz, 3-prong outlet separate ground, separately fused at 15 amps.</li> <li>■ Outlet must not be controlled by an on/off switch</li> <li>■ Grounding to comply with Underwriters Laboratories (UL) 1459</li> </ul>	
<b>Requirements For Out-Of-Building Extensions:</b>	<p>Installation of a telephone or other standard (tip/ring) device in another building requires the following In-Range Out-of-Building (IROB) protectors to protect the switch/control unit and telephone device from electrical surges:</p> <ul style="list-style-type: none"> <li>■ MDW 9030P Pocketphone: two Lucent Technologies 503A1 protectors (ETR); two Lucent Technologies 343B protectors (ATL)</li> </ul>	
<b>Wiring:</b> least	<ul style="list-style-type: none"> <li>■ MDW 9030P Pocketphone: Lucent Technologies SYSTIMAX® or at 2-pair (4-wire) star ("home run" not "loop") ETR</li> <li>■ Lucent Technologies SYSTIMAX or at least 4-pair (8-wire) star ("home run" not "loop") ATL</li> <li>■ Bridging Adapter: Lucent Technologies 267F2 (ETR)</li> <li>■ Bridging Adapter: Lucent Technologies 267C (ATL)</li> <li>■ Range: 1,000 feet (305 meters) for the Radio Module (26 AWG)</li> </ul>	

---

# Index

---

## A

- Alerter 3-4, 3-7, 3-11
  - Alerter icon 3-4
  - Answering a call 3-15, 3-17
  - Antenna 3-2, 3-6, 3-8
    - replacement 4-4, 4-5
- 

## B

- Battery charger
  - about 1-1, 3-19
  - illustration 1-4, 2-34, 3-19
  - inserting the spare battery pack 2-34
  - installation 2-32
  - positioning 2-32
  - power supply 2-3, 4-5
  - problems 5-13
  - refreshing battery pack 3-21
  - removing the spare battery 2-34
  - replacement 4-5
- Battery icon 3-4, 3-6, 3-21, 5-6
- Battery pack
  - charging in battery charger 2-34
  - disposal warning 2-3, 2-32
  - extending life of 3-21
  - inserting/removing from battery charger 2-34
  - inserting/removing from handset 2-29
  - low power indicator 3-4, 3-6, 3-21
  - problems 5-6
  - refreshing 3-19, 3-20, 3-21, 3-22
  - replacement 4-5
  - spare 1-6, 3-6, 3-21
  - warning 2-3, 2-32
- Beeps 3-4, 3-6, 3-12
- Button mapping 2-30, 3-5, 3-8
  - DEFINITY systems 6-10
  - MERLIN systems 6-6, 6-7
  - PARTNER systems 6-3
  - System 25 6-10
  - System 75 6-10
  - System 85 6-10
- Buttons 3-2, 3-3, 3-4, 3-5, 6-2

## C

- Call handling 6-1
  - Carrier
    - compatibility 1-2
    - control 2-16, 2-23
    - expansion 2-16, 2-23, 2-24
    - illustration 1-5, 2-7
    - installation
      - multiple carriers 2-7, 2-16, 2-23
      - single carrier on shelf or desk 2-17
      - single carrier on wall 2-20
    - positioning 2-8
    - power supply 2-4, 4-5
    - powering multiple 2-27
    - powering single 2-19, 2-22
    - removing a radio module from 4-1
    - replacement 4-5
  - Carrying case 3-7, 4-5
  - Carrying clip 1-4, 3-7, 4-5
  - CHANGE BUTTN MAP 3-5, 3-8
  - Cleaning 2-1
  - Column buttons 3-2, 3-3, 3-16
  - Communications system setting 2-30, 3-5, 3-8
  - Compatibility
    - communications systems 6-1
    - equipment 1-1
  - Conference button 3-2
  - Control carrier 2-16, 2-23
  - Control/expansion DIP switch 2-7, 2-16
  - Coverage zone 1-1, 2-8, 2-10
  - Cradle 2-35, 3-19
  - Customer support Inside front cover
- 

## D

- DEFINITY systems 1-1, 2-30, 3-5, 6-1, 6-9, 6-12
- DIP switch, carrier
  - control/expansion 2-7, 2-16
  - power 2-7, 2-14
- Display 3-2, 3-4, 3-5
  - activate 3-15
  - test 3-12

---

## E

Electrical requirements 2-4, C-2  
Environmental  
    requirements 2-2, C-1  
Expansion cable 2-7, 2-24  
Expansion carrier 2-16, 2-23, 2-24  
Extension labels 2-31  
Extensions, changing 4-3

---

## F

Feat/P button 3-2, 6-2

---

## H

Handset  
    about 1-1  
    alerter 3-4, 3-7, 3-11  
    buttons 3-2, 3-3  
    controls 3-2  
    cradle 2-35, 3-19  
    display 3-2, 3-4, 3-5, 3-12, 3-15  
    HANDSET LED 2-35, 3-19, 3-20, 5-13, 5-14  
    illustration 1-4, 3-2  
    inserting/removing battery pack 2-29  
    inserting/removing from cradle 2-35  
    label 2-31  
    Local Test Mode 2-30, 3-12  
    problems 5-4  
    range indicators 3-6  
HANDSET LED 2-35, 3-19, 3-20, 5-13, 5-14  
Headset  
    illustration 1-6  
    replacement 4-5  
    using 3-17  
Headset adapter 3-17  
Headset connector 3-2, 3-17  
Hearing aid compatibility B-1  
Helpline Inside front cover  
Hold button 3-2

---

## I

Icons 3-4  
Illustrations  
    battery charger 1-4, 2-34, 3-19  
    carrier 1-5, 2-7  
    handset 1-4, 3-2  
    headset 1-6  
    radio module 1-4, 2-6  
Installation  
    battery charger 2-32  
    multiple carriers 2-7, 2-16, 2-23  
    problems 5-1  
    remote location 2-9  
    requirements 2-8, C-1  
    rules 2-8  
    self-test 2-28  
    single carrier on shelf or desk 2-17  
    single carrier on wall 2-20  
    single radio module 2-12  
    warning 2-2, 2-3  
Interference  
    radio 5-8, 5-9  
    with wireless products 2-14

---

## L

Label 2-31  
Lanyard 1-4, 3-7, 4-5  
Lanyard loop 3-2, 3-7  
LCL 3-5  
LED  
    HANDSET 2-35, 3-19, 3-20, 5-13, 5-14  
    Out of Sync 2-7, 2-19, 2-22, 2-27, 4-3, 4-4, 5-1  
    PASS 2-6, 2-28, 5-2, 5-3  
    POWER 2-6, 2-28, 5-2  
    RADIO 2-6, 2-28, 5-4  
    REFRESH 3-19, 3-20  
    SPARE 2-34, 3-19, 3-20, 5-15, 5-16  
Line Preselection 3-5, 3-9, 3-16  
Line Ringing options  
    DEFINITY systems 6-12  
    MERLIN systems 6-8  
    PARTNER systems 6-4  
    System 25 6-12  
    System 75 6-12  
    System 85 6-12

---

Line selection 3-2, 3-3, 3-5, 3-16  
Line status 3-4, 3-5  
Local Mode 3-5, 3-8  
Local Test Mode 3-12

---

## M

Making a call 3-15, 3-18  
MAP 3-5  
MDW 9000 1-1  
MDW 9010 1-1  
Memory effect 3-19, 3-21  
MERLIN systems 1-1, 2-30, 3-5, 6-1,  
6-2, 6-5  
Message icon 3-4  
Microphone 3-2, 3-4, 3-17  
Mode  
    Button Mapping 2-30, 3-5  
    Local 3-5, 3-8  
    Preselection 3-5, 3-9  
    Wireless Test 2-10, 3-5, 3-13  
MSG icon 3-4  
Mute  
    button 3-2  
    icon 3-4, 5-5

---

## N

NO LINK 3-5  
No Ring icon 3-4, 3-11

---

## O

ON icon 3-4, 3-16  
On/Off buttons 3-2, 3-15, 3-17, 3-18  
Ordering parts 4-5  
Out of Sync LED 2-7, 2-19, 2-22,  
2-27, 4-3, 4-4, 5-1

---

## P

PARTNER systems 1-1, 2-30, 3-5, 6-1,  
6-2, 6-3  
Parts  
    additional 1-5  
    illustrations 1-4, 1-5, 2-6, 2-7,  
    2-34, 3-2, 3-19

    ordering 4-5  
    replacement/optional 4-5  
PASS LED 2-6, 2-28, 5-2, 5-3  
Positioning  
    battery charger 2-32  
    radio module or carrier(s) 1-3, 2-8  
Power DIP switch 2-7, 2-14  
POWER LED 2-6, 2-28, 5-2  
Power level 2-14  
Power supply 2-3, 2-4, 4-5  
PRESELECTION 3-5, 3-10  
Privacy 1-3  
Programmable buttons 3-3, 3-4, 3-5, 6-2  
Programming features  
    DEFINITY systems 6-9  
    MERLIN systems 6-2, 6-5  
    PARTNER systems 6-2, 6-3  
    System 25 6-9  
    System 75 6-9  
    System 85 6-9  
Programming instructions 6-1, 6-2  
Programming mode 6-2  
PSEL 3-5, 3-10

---

## R

RADIO LED 2-6, 2-28, 5-4  
Radio module  
    identification 3-13  
    illustration 1-4, 2-6  
    installation in carrier 2-17, 2-20, 2-23  
    installation of a single module 2-12  
    positioning 1-3, 2-8  
    power supply 2-3, 2-4, 4-5  
    removing from carrier 4-1  
Range 2-8, 2-10, 3-4, 3-6, 5-10  
    adjusting 2-14  
    maximum 3-6, 3-8  
    problems 5-10, 5-11, 5-12  
    test 3-14  
RANGE indicator 3-6, 5-11, 5-12  
Rectangle  
    selection 3-2, 3-3, 3-4, 3-16  
    status 3-5, 3-12, 3-15  
Redial button 3-2  
REFRESH button 3-19, 3-21, 3-22  
REFRESH LED 3-19, 3-20  
Refresh process 3-19, 3-21  
Regulatory information B-1  
Repair information A-2



---

Replacement parts 4-5  
Rules for installation 2-8

---

## S

Safety precautions 2-1  
Security 1-3  
Select button 3-2, 3-3, 3-15, 3-16  
Selection rectangle 3-2, 3-3, 3-4, 3-16  
Self-test, installation 2-28  
Serial number 1-1, 2-6  
Signal strength 2-10, 3-14  
Sleep mode 2-35, 3-4, 3-15, 3-16  
Sound clarity 2-10  
Spare battery compartment 2-34, 3-19,  
3-21, 5-13  
Spare battery pack  
about 1-6, 3-6, 3-21  
inserting/removing from the battery  
charger 2-34  
SPARE LED 2-34, 3-19, 3-20, 5-15, 5-16  
Specifications C-1  
Standby time 3-21, C-2  
System 25 1-1, 2-30, 3-5, 6-1, 6-9, 6-12  
System 75 1-1, 2-30, 3-5, 6-1, 6-9, 6-12  
System 85 1-1, 2-30, 3-5, 6-1, 6-9, 6-12

---

## T

Talk time 3-6, 3-21, C-2  
Testing  
beeps 3-12  
display 3-12  
Local Test Mode 3-12  
range 3-14  
signal strength 2-10, 3-14  
sound clarity 2-10  
vibrator 3-12  
voice quality 2-11, 3-14  
Wireless Test Mode 2-10, 3-5, 3-13  
Transfer button 3-2  
Triangle 3-4, 3-5, 3-12, 3-15

Troubleshooting  
battery charger problems 5-13  
battery problems 5-6  
handset problems 5-4  
installation problems 5-1  
overview 5-1  
range problems 5-10  
voice quality problems 5-7

---

## V

VIBR 3-5  
Vibrator  
enable/disable 3-9  
icon 3-5, 3-9  
test 3-12  
Voice quality 3-14  
maximum 3-6, 3-8  
problems 5-7  
testing 2-11, 3-14  
Volume  
control 3-2, 3-7  
problems 5-8

---

## W

Wake up 3-15  
Warranty information A-1  
Wireless Test Mode 2-10, 3-5, 3-13

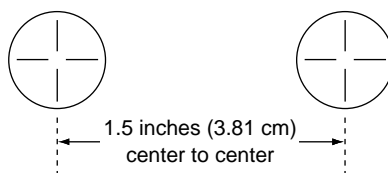
## Battery Charger Wall-Mounting Template

Use the template below to position the screws for mounting your MDW 9030P Pocketphone battery charger:

1. Cut out the template along the dotted line.
2. Lightly affix the template to the wall with tape where you want to attach the battery charger. If possible, choose a location that will position at least one of the screw holes over a wall stud.
3. Mark the wall.
4. Position a wall spacer on each of the two wood screws provided, and insert the screws in the wall as far as they will go at the places you marked.

**Note:**

If you cannot locate a wall stud for one of the screws, use molly bolts or another type of hollow-wall fastener. Be sure to place the wall spacers on the screws before inserting them permanently.



Lucent Technologies 503-801-160  
Comcode 107972010  
Issue 2  
March 1997

## Free Manuals Download Website

<http://myh66.com>

<http://usermanuals.us>

<http://www.somanuals.com>

<http://www.4manuals.cc>

<http://www.manual-lib.com>

<http://www.404manual.com>

<http://www.luxmanual.com>

<http://aubethermostatmanual.com>

Golf course search by state

<http://golfingnear.com>

Email search by domain

<http://emailbydomain.com>

Auto manuals search

<http://auto.somanuals.com>

TV manuals search

<http://tv.somanuals.com>