



HEARTH PRODUCTS

DIRECT-VENT GAS FIREPLACE HEATER INSERTS
P/N 850,050M REV. D 03/2010



OTL Report No. 050-F-22-5

Ce manuel d'installation est disponible en français, s'il y a lieu, en faisant la demande. Numéro de la pièce 850,050CF.

INSTALLATION AND OPERATION

Direct-Vent
SHORELINE™



MODELS

SHRL 33/40 DV INS

The Shoreline™ fireplace insert is factory equipped for 40,000 BTU input and can be converted to 33,000 using the smaller orifice provided.

WARNING AVERTISSEMENT

HOT GLASS WILL
CAUSE BURNS.

DO NOT TOUCH GLASS
UNTIL COOLED.

NEVER ALLOW CHILDREN TO
TOUCH GLASS.



UNE SURFACE VITRÉE CHAUDE PEUT
CAUSER DES BRÛLURES.

LAISSER REFROIDIR LA SURFACE
VITRÉE AVANT D'Y TOUCHER.

NE PERMETTEZ JAMAIS À UN ENFANT
DE TOUCHER LA SURFACE VITRÉE.

This appliance may be installed in an aftermarket permanently located, manufactured home (USA only) or mobile home, where not prohibited by local codes. This appliance is only for use with the type of gas indicated on the rating plate. This appliance is not convertible for use with other gases, unless a certified kit is used.

WARNING: If the information in these instructions is not followed exactly, a fire or explosion may result causing property damage, personal injury or death.

- Do not store or use gasoline or other flammable vapors and liquids in the vicinity of this or any other appliance.
- **WHAT TO DO IF YOU SMELL GAS**
 - Do not try to light any appliance.
 - Do not touch any electrical switch; do not use any phone in your building.
 - Immediately call your gas supplier from a neighbor's phone. Follow the gas supplier's instructions.
 - If you cannot reach your gas supplier, call the fire department.
- Installation and service must be performed by a qualified installer, service agency or the gas supplier.

INSTALLER: Leave this manual with the appliance.
CONSUMER: Retain this manual for future reference.

INSTALLATEUR: Laissez cette notice avec l'appareil.
CONSOMMATEUR: Conservez cette notice pour consultation ultérieure.

AVERTISSEMENT: Assurez-vous de bien suivre les instructions données dans cette notice pour réduire au minimum le risque d'incendie ou d'explosion ou pour éviter tout dommage matériel, toute blessure ou la mort.

- Ne pas entreposer ni utiliser d'essence ni d'autres vapeurs ou liquides inflammables dans le voisinage de cet appareil ou de tout autre appareil.
- **QUE FAIRE SI VOUS SENTEZ UNE ODEUR DE GAZ:**
 - Ne pas tenter d'allumer d'appareil.
 - Ne touchez à aucun interrupteur. Ne pas vous servir des téléphones se trouvant dans le bâtiment où vous trouvez.
 - Appelez immédiatement votre fournisseur de gaz depuis un voisin. Suivez les instructions du fournisseur.
 - Si vous ne pouvez rejoindre le fournisseur de gaz, appelez le service des incendies.
- L'installation et l'entretien doivent être assurés par un installateur ou un service d'entretien qualifié ou par le fournisseur de gaz.

CONGRATULATIONS!

When you purchased your new gas fireplace insert, you joined the ranks of thousands of individuals whose answer to their home heating needs reflects their concern for aesthetics, efficiency and our environment. We extend our continued support to help you achieve the maximum benefit and enjoyment available from your new gas fireplace insert.

Thank you for selecting a Lennox Hearth Products gas fireplace insert as the answer to your home heating needs.

TABLE OF CONTENTS

| | |
|--|---------|
| Packaging List..... | Page 2 |
| Using this Manual..... | Page 2 |
| Introduction..... | Page 2 |
| Safety and Warning Information..... | Page 3 |
| General Information..... | Page 5 |
| Smoke Detectors..... | Page 6 |
| Codes and Approvals..... | Page 6 |
| New York City MEA Approval..... | Page 7 |
| Requirements for the Commonwealth of Massachusetts..... | Page 7 |
| Specifications - Insert Dimensions..... | Page 8 |
| Clearances to Combustibles..... | Page 9 |
| Installation..... | Page 10 |
| Fireplace Requirements..... | Page 10 |
| Venting Requirements..... | Page 11 |
| Insert Leveling..... | Page 12 |
| Door Assembly Installation or Removal Instructions..... | Page 13 |
| Refractory Brick Panel Installation Instructions..... | Page 14 |
| Log Set Installation Instructions..... | Page 15 |
| Surround Installation Instructions..... | Page 17 |
| Gas Line Installation..... | Page 19 |
| Gas Pressure Requirements..... | Page 19 |
| LP and Natural Gas Supplies..... | Page 19 |
| Attaching Safety In Operation Warnings..... | Page 20 |
| Operating Instructions..... | Page 21 |
| Pre-Lighting Checklist..... | Page 21 |
| Lighting Instructions..... | Page 21 |
| To Turn Gas Off to Appliance..... | Page 22 |
| Shutdown Procedure..... | Page 22 |
| Flame Appearance and Sooting..... | Page 23 |
| Air Shutter Adjustment..... | Page 23 |
| Burn-In Period..... | Page 24 |
| Quiet Operation..... | Page 24 |
| Blower Operation and Wiring Diagram..... | Page 24 |
| Shoreline™ Main Burner Operation..... | Page 25 |
| Millivolt Control System and Wiring Diagram..... | Page 25 |
| Maintenance and Servicing..... | Page 26 |
| Maintenance Checklist..... | Page 26 |
| Blower Removal..... | Page 26 |
| Glass Maintenance..... | Page 27 |
| Door Removal..... | Page 27 |
| Paint Touch-Up..... | Page 27 |
| Inspecting Wiring..... | Page 27 |
| Fuel Conversion Kits..... | Page 27 |
| Maintenance Schedule..... | Page 28 |
| Troubleshooting..... | Page 29 |
| Replacement Parts List..... | Page 30 |
| Part Identification..... | Page 31 |
| Optional Accessories..... | Page 36 |
| Safety / Listing Label..... | Page 39 |
| Lighting Instructions Label..... | Page 40 |
| Warranty and Product Reference Information..... | Page 42 |

PACKAGING LIST

To install a Shoreline insert, an insert body, refractory brick panel set and surround kit are required (each sold separately. See **Page 37** for ordering information).

Fireplace Insert Body Packaging List

Model: Shoreline 33/40 DV INS

- | | |
|--|-----------------------------------|
| 1) Fireplace Insert Body with Burner Cassette | 1) 150 cfm Blower |
| 1) Gas pipe (3/8" x 8") | 1) 5-Piece Log Set |
| 1) Installation and Operation Manual | 1) Optional Shoreline #33 orifice |
| 1) Bag of Glowing Ember Material | 1) Bag of Decorative Lava Rock |
| 1) Front Leveling Leg Kit | 1) Fireplace Warning Label |

Refractory Brick Panel Sets - 6 pieces:

Standard
Red
Architectural Stone

Surround Kits:

- Small 3-sided - 36-5/8" Wide x 25-7/8" High (930 mm x 657 mm)
Large 3-sided - 41" Wide x 28" High (1041 mm x 711 mm)
Small 4-sided - 36-5/8" Wide x 29-3/16" High (930 mm x 741 mm)
Large 4-sided - 41" Wide x 33-1/2" High (1041 mm x 851 mm)

USING THIS MANUAL

Please read and carefully follow all of the instructions found in this manual. Please pay special attention to the safety instructions provided in this manual.

PRODUCT IS SUBJECT TO CHANGE WITHOUT NOTICE

INTRODUCTION

The Insert models covered in this manual are direct-vent sealed combustion gas heaters designed for residential application for installation into an existing masonry or factory built solid fuel burning fireplace. The required liners for the air intake and exhaust are as follows:

- **Air Intake: Use 3" diameter UL 181 or UL 1777 listed liner only.**
- **Exhaust: Use 3" diameter UL 1777 listed gas vent liner only. DO NOT USE UL 181 LISTED LINER.**

This appliance is suitable for installation into masonry or factory built fireplaces.

These vent systems must be routed through the existing fireplace flue system to the vent termination.

Installation Options

- Residential
- Bedrooms
- Manufactured (mobile) home
- Commercial

Your direct-vent Insert is designed to be vented vertically with a minimum height of 10 feet and maximum of 35 feet from top of the flue collar using natural gas or propane gas (LP).

IMPORTANT SAFETY AND WARNING INFORMATION

! WARNING

Young children should be carefully supervised when they are in the same room as the appliance. Toddlers, young children and others may be susceptible to accidental contact burns. A physical barrier is recommended if there are at risk individuals in the house. To restrict access to a fireplace or stove, install an adjustable safety gate to keep toddlers, young children and other at risk individuals out of the room and away from hot surfaces.

! AVERTISSEMENT

Les jeunes enfants devraient être surveillés étroitement lorsqu'ils se trouvent dans la même pièce que l'appareil. Les tout petits, les jeunes enfants ou les adultes peuvent subir des brûlures s'ils viennent en contact avec la surface chaude. Il est recommandé d'installer une barrière physique si des personnes à risques habitent la maison. Pour empêcher l'accès à un foyer ou à un poêle, installez une barrière de sécurité; cette mesure empêchera les tout petits, les jeunes enfants et toute autre personne à risque d'avoir accès à la pièce et aux surfaces chaudes.

! WARNING

Improper installation, adjustment, alteration, service or maintenance can cause injury or property damage. Refer to this manual. For assistance or additional information consult a qualified installer, service agency or the gas supplier.

! WARNING

Failure to comply with these installation instructions will result in an improperly installed and operating appliance, voiding its warranty. Any change to this appliance and/or its operating controls is dangerous.

! WARNING

Clothing or other flammable material should not be placed on or near the appliance.

! AVERTISSEMENT

On ne devrait pas placer de vêtements ni d'autres matières inflammables sur l'appareil ni à proximité.

! WARNING

Any safety screen or guard removed for servicing the appliance must be replaced prior to operating the appliance.

! AVERTISSEMENT

Tout écran ou protecteur retiré pour permettre l'entretien de l'appareil doit être remis en place avant de mettre l'appareil en marche.

! WARNING

Improper installation or use of this appliance can cause serious injury or death from fire, burns, explosion or carbon monoxide poisoning.

! WARNING

Children and adults should be alerted to the hazards of high surface temperature and should stay away to avoid burns or clothing ignition.

! AVERTISSEMENT

Les enfants et les adultes devraient être informés des dangers que posent les températures de surface élevées et se tenir à distance afin d'éviter des brûlures ou que leurs vêtements ne s'enflamment.

! WARNING

DO NOT ATTEMPT TO ALTER OR MODIFY THE CONSTRUCTION OF THE APPLIANCE OR ITS COMPONENTS. ANY MODIFICATION OR ALTERATION MAY VOID THE WARRANTY, CERTIFICATION AND LISTINGS OF THIS UNIT.

- ◆ **FOR YOUR SAFETY** do not install or operate this appliance without first reading and understanding this manual. Any installation or operation of the appliance deviating from that which is stated in this manual WILL void the warranty and may be hazardous.
- ◆ **INSTALLATION AND REPAIR SHOULD ONLY BE DONE BY A QUALIFIED SERVICE TECHNICIAN. DO NOT ATTEMPT TO SERVICE THE APPLIANCE YOURSELF.**
- ◆ Do not make any make-shift compromises during installation. Any modification or alteration may result in damage to the appliance or dwelling and will void the warranty, certification and listings of this unit.
- ◆ Failure to use manufacturer provided parts, variations in techniques and construction materials or practices other than those described in this manual may create a fire hazard and void the limited warranty.
- ◆ This gas appliance must be equipped for the proper fuel type and altitude at which it will be operated. Any operation outside the parameters outlined in this manual may result in a hazardous condition and will void the warranty. Please carefully read the sections pertaining to these subjects and/or be sure your appliance is properly equipped.
- ◆ Never use solid fuels such as wood, paper, cardboard, coal, or any flammable liquids, etc., in this appliance.
- ◆ Any grill, panel, or glass removed for service **MUST** be replaced prior to operating the appliance. Do not operate appliance with the glass front removed, cracked or broken.
- ◆ Gold and nickel plated surfaces must be cleaned with glass cleaner and a clean soft cloth before firing the first time or fingerprints will remain permanently. **NEVER** use brass polish to clean gold or nickel, this will remove the plating!!!
- ◆ When opening the lower door on the face while the appliance is burning, pull at the far left or far right vent openings, because the door is hot during operation.
- ◆ LHP, its employees, or any of its representatives assume no responsibility for any damages caused by an inoperable, inadequate, or unsafe condition as a result of any improper operation, service or installation procedures, whether direct or indirect.
- ◆ Due to high temperatures, the appliance should be located out of traffic and away from furniture and draperies.
- ◆ En raison des températures élevées, l'appareil devrait être installé dans un endroit où il y a peu de circulation et loin du mobilier et des tentures.
- ◆ Provide adequate clearances around air openings and adequate accessibility clearance for service and proper operation. Never obstruct the front openings of the appliance.
- ◆ These appliances are designed to operate on natural or propane gas only. The use of other fuels or combination of fuels will degrade the performance of this system and may be dangerous.
- ◆ These appliances are designed as supplemental heaters. Therefore, it is advisable to have an alternate primary heat source when installed in a dwelling.
- ◆ These appliances must not be connected to a chimney or flue serving a separate solid fuel burning appliance.
- ◆ These appliances are vented gas appliances. Do not burn wood or other material in these appliances.
- ◆ This appliance is only for use with the type of gas indicated on rating plate. This appliance is not convertible for use with other gases, unless a certified kit is used.
- ◆ Cet appareil doit être utilisé uniquement avec les types de gaz indiqués sur la plaque signalétique. Ne pas l'utiliser avec d'autres gaz sauf si un kit de conversion certifié est installé.
- ◆ Hot while in operation. Do not touch. Severe Burns may result. Keep children, clothing furniture, gasoline and other liquids having flammable vapors away.
- ◆ L'appareil est chaud lorsqu'il fonctionne. Ne pas toucher l'appareil. Risque de brûlures graves. Surveiller les enfants. Garder les vêtements, les meubles, l'essence ou autres liquides produisant des vapeurs inflammables loin de l'appareil.
- ◆ This appliance may be installed in an aftermarket, permanently located, manufactured home (USA only) or mobile home, where not prohibited by local codes.
- ◆ Cet appareil peut être installé dans une maison préfabriquée (mobile) déjà installée à demeure si les règlements locaux le permettent.
- ◆ Ensure clearances are in accordance with local installation codes and the requirements of the gas supplier.
- ◆ Dégagement conforme aux codes d'installation locaux et aux exigences du fournisseur de gaz.
- ◆ Installation and repair should be done by a qualified service person. The appliance should be inspected before use and at least annually by a professional service person. More frequent cleaning may be required due to excessive lint from carpeting, bedding material, etcetera. It is imperative that control compartments, burners and circulating air passageways of the appliance be kept clean.
- ◆ L'installation et la réparation devrait être confiées à un technicien qualifié. L'appareil devrait faire l'objet d'une inspection par un technicien professionnel avant d'être utilisé et au moins une fois l'an par la suite. Des nettoyages plus fréquents peuvent être nécessaires si les tapis, la literie, et cetera produisent une quantité importante de poussière. Il est essentiel que les compartiments abritant les commandes, les brûleurs et les conduits de circulation d'air de l'appareil soient tenus propres.
- ◆ Do not use these appliances if any part has been under water. Immediately call a qualified, professional service technician to inspect the appliance and to replace any parts of the control system and any gas control which have been under water.
- ◆ Ne pas utiliser cet appareil s'il a été plongé, même partiellement, dans l'eau. Appeler un technicien qualifié pour inspecter l'appareil et remplacer toute partie du système de commande et toute commande qui a été plongée dans l'eau.
- ◆ Only trim kit(s) supplied by the manufacturer shall be used in the installation of this appliance.
- ◆ Seules les trousse de garniture fournies par le fabricant doivent être utilisées pour l'installation de cet appareil.
- ◆ **INSTALLER: THESE INSTRUCTIONS ARE TO REMAIN WITH THE HOME OWNER!**

This appliance is only for use with the type of gas indicated on the rating plate. This appliance is not convertible for use with other gases, unless a certified kit is used.

Cet appareil doit être utilisé uniquement avec les types de gaz indiqués sur la plaque signalétique. Ne pas l'utiliser avec d'autres gaz sauf si un kit de conversion certifié est installé.

These appliances comply with National Safety Standards and are tested and listed by OMNI-Test Laboratories Inc.; Portland, Oregon (Report No. 050-F-22-5) to ANSI Z21.88-2005/CSA 2.33-2005, and CGA 2.17-M91 in both USA and Canada, as Vented Gas Fireplace Heaters and are approved for installation in bedrooms and manufactured (mobile) homes.

GENERAL INFORMATION

Table 1 shows the BTU input for each model:

| Millivolt Models with Manually-Modulated Gas Valves | | |
|---|---------------------|---------------------|
| | Natural Gas | Propane (LP) Gas |
| Model | Input Rate (BTU/HR) | Input Rate (BTU/HR) |
| SHR33 | 19,500 to 33,000 | 19,500 to 33,000 |
| SHR40 | 24,000-40,000 | 21,500 to 37,500 |

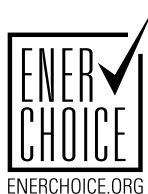
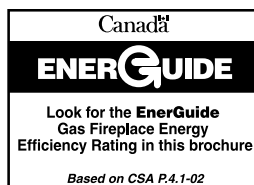
Table 1

Table 2 shows efficiencies for the Shoreline™.

| Efficiencies % | | | | | | |
|----------------|-------------|---------------|------|---------|---------------|------|
| Models | Natural Gas | | | Propane | | |
| | P4** | Steady State* | AFUE | P4** | Steady State* | AFUE |
| SHR33 | 60.91 | 83 | 60 | 64.35 | 83 | 65 |
| SHR40 | 62.70 | 83 | 63 | 65.98 | 83 | 67 |

* The Steady State Efficiency numbers based on maximum vent configuration.
 ** Tested to CSA P.4.1-02 "Testing Method for Measuring Annual Fireplace Efficiency."

Table 2



These appliances may be installed in an aftermarket permanently located, manufactured home (USA only) or mobile home, where not prohibited by local codes.

Cet appareil peut être installé dans un maison préfabriquée (É.-U. seulement) ou mobile déjà installée à demeure si les règlements locaux le permettent.

Note: These appliances are designed as supplemental heaters. Therefore, it is advisable to have an alternate heat source when installed in a dwelling.

Millivolt Valve & Electrical

These appliances use a millivolt type control system consisting of a gas control valve with regulator (control to adjust for flame appearance and heat output), a standing pilot burner assembly, a thermopile, thermocouple, a piezo igniter, and ON/OFF switch. **THE GAS BURNER SYSTEM ON THESE APPLIANCES DO NOT REQUIRE 120 VOLT POWER TO OPERATE.** Because this fireplace insert is operated with a millivolt valve it will burn even during a power outage.

The Shoreline features a spark igniter (piezo) that allows the appliance's pilot gas to be lit without the use of matches or batteries. However, the heat circulation blower motor requires 120 Volts AC (the appliance can be safely used with the blower turned off). The blower operation is controlled by a variable speed rheostat.

Fuel

This insert comes from the factory equipped to burn natural gas from 0 to 2,000 feet (610 M) of elevation in the USA and 0 - 4,500 feet (1372 M) in Canada. The insert can be converted to burn LP (liquid propane) by installing a conversion kit. Only Lennox Hearth Products conversion kits can be used to convert from NG to LP or LP to NG. Contact your Lennox Hearth Products dealer for details. An orifice is also supplied to change the unit from 40,000 BTU's (NG) or 37,500 BTU's (LP) to 33,000 BTU's. This must be done by a qualified service technician if you decide to change orifices.

The use of other fuels or combination of fuels will degrade the performance of this system and may be dangerous.

Orifice Size/Altitude Adjustment

These appliances are tested and approved for installations at elevations of 0 to 2,000 feet (610 M) in the USA and 0 to 4,500 feet (0-1372 M) in Canada using the factory installed orifice shown in Table 3. At higher elevations the BTU input must be de-rated by 4% for every 1,000 feet (305 M) to maintain the proper ratio of gas to air. Contact your local gas supplier for deration requirements for your area.

Deration - At higher elevations, the amount of BTU fuel value delivered must be reduced by either using gas that has been derated by the gas company or by changing the burner orifice to a smaller size as regulated by the local authorities having jurisdiction and by the (USA) National Fuel Gas Code NFPA 54 / ANSI Z223.1 - latest edition or, in Canada, the CAN/CSA B149.1 - latest edition. If it is determined that a smaller burner orifice is needed, contact your Lennox Hearth Products dealer to purchase the orifice.

| Burner Orifice Sizes | | |
|---|--------------------------------------|----------------------------------|
| USA - Elevation 0-2000 feet (0-610 meters) | | |
| Canada - Elevation 0-4500 feet (0-1372 meters) | | |
| Model | Natural Gas drill size (inches) * | Propane drill size (inches) * |
| SHR33 | #36 (0.1065") | #51 (0.067") |
| SHR40 | 1/8" (0.125") | #49 (.073") |

Table 3 * Standard size installed at factory

SMOKE DETECTORS

Since there are always several potential sources of fire in any home, we recommend installing smoke detectors. If possible, install the smoke detector in a hallway adjacent to the room (to reduce the possibility of occasional false activation from the heat produced by the appliance). If your local code requires a smoke detector be installed within the same room, you must follow the requirements of your local code. Check with your local building department for requirements in your area.

CODES AND APPROVALS

Listing and Safety Standards - Gas appliances must be tested and certified by a nationally recognized testing and certification laboratory to ANSI (American National Standard Institute) gas appliance safety standards. This insert has been tested and certified by OMNI -Test Laboratories to ANSI Z21.88/CSA 2.33 "Vented Gas Fireplace Heaters and CGA 2.17-M91 "Gas-Fired Appliances for Use at High Altitudes" and UL 307B Gas Burning Heating Appliances for Manufactured (Mobile) Homes in both USA and Canada. These appliances have been certified for use with either natural gas or propane and are approved for installation in sitting rooms and/or bedrooms. **This appliance is only for use with the type of gas indicated on the rating plate (and is not for use with solid fuels). This appliance is not convertible for use with other gases, unless a certified kit is used.**

Cet appareil doit être utilisé uniquement avec les types de gaz indiqués sur la plaque signalétique. Ne pas l'utiliser avec d'autres gaz sauf si un kit de conversion certifié est installé.

Manufactured Home Installations - These appliances must conform to the Manufactured Home Construction and Safety Standard, Title 24 CFR, Part 3280 (in Canada CAN/CSA Z240 MH) (in Canada CAN/CSA Z240 MH), or when such a standard is not applicable, the Standard for Manufactured Home Installations, ANSI A225.1 - latest edition for manufactured (mobile) home installations and the current Standard for Fire Safety Criteria for Manufactured Home Installations, Sites and Communities, ANSI/NFPA 501A.

Local, State and National Codes - These appliances must conform with all local, state, and national installation codes. In the absence of local and state codes, installation must comply with the current National Fuel Gas Code, ANSI Z223.1, also known as NFPA 54 (In Canada, the current CAN/CSA B149.1 installation code). Electrical wiring must comply with the National Electrical Code ANSI/NFPA 70 - latest edition. In Canada, the current CSA C22-1 Canadian Electrical Code - latest edition. Refer to the National Fuel Gas Code and local zoning and code authorities for details on installation requirements. These appliances must be vented directly to the outside in accordance with the current edition of the National Fuel Gas Code (NFPA 54 in U.S.A and CAN/CSA B149.1 in Canada) and must never be attached to a chimney serving a separate solid fuel burning appliance.

Fireplace Standards - These heaters are designed to be installed into an existing masonry fireplace (built to UBC 37 or ULC S628 standards) or factory built solid fuel, wood, burning fireplace (listed to UL 127 or ULC S610) only. All exhaust gases must be vented outside the structure. Combustion air is drawn from outside the structure.

Questions To Ask Local Building Official

These appliances must be installed per manufacturers' instructions. Installations must conform to appropriate local codes and applicable state and federal requirements. Familiarity with these requirements before installation is essential. Some important considerations to discuss with local building officials include:

1. Applicable codes (i.e. Uniform Mechanical Code, State or Regional Gas Codes, National Fuel Gas Code).
2. Local amendments
3. Recognized testing lab: OMNI-Test Laboratories Inc.; Portland, Oregon
4. Is a permit required - cost?
5. In some states or municipalities, a licensed gas fitter or plumber may be required to install these appliances. Check with your local building official for requirements in your area (i.e. Is a license required for installation of gas supply line)?
6. Maximum amount of gas pipe without a pressure test - type of test required?
7. Are below grade penetrations of the gas line allowed?
8. Is concealed gas piping allowed?
9. Specific requirements of concealed fittings?
10. Is rigid pipe to appliance required?
11. Allowed piping materials?
12. Shut-off valve required within 4 feet of the firebox?
13. May the shut-off valve be concealed?
14. Rooms where the installation is not allowed?

NEW YORK CITY, NEW YORK (MEA)

(NYC MEA Approval #138-07-E)

Installation of these appliances are approved for installation in New York City in the US state of New York.

COMMONWEALTH OF MASSACHUSETTS REQUIREMENTS

(Massachusetts Approval #G3-0508-369)

These appliances are approved for installation in the US state of Massachusetts if the following additional requirements are met:

- Install this appliance in accordance with Massachusetts Rules and Regulations 248 C.M.R.
- Installation and repair must be done by a plumber or gas fitter licensed in the Commonwealth of Massachusetts.
- The flexible gas line connector used shall not exceed 36 inches (92 centimeters) in length.
- The individual manual shut-off must be a T-handle type valve.

Massachusetts Horizontal Vent Requirements

In the Commonwealth of Massachusetts, horizontal terminations installed less than seven (7) feet above the finished grade must comply with the following additional requirements:

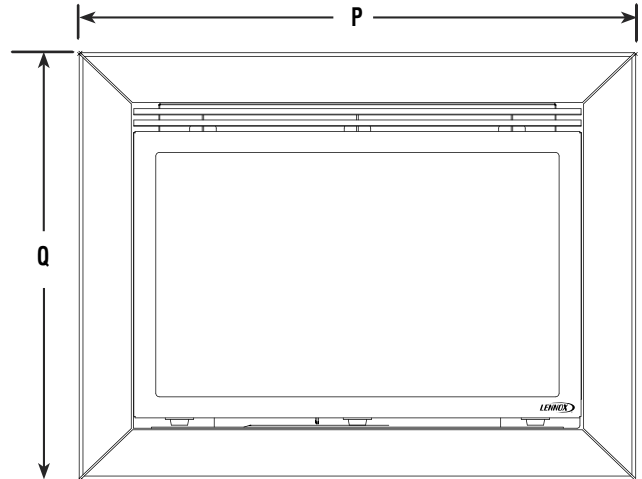
- A hard wired carbon monoxide detector with an alarm and battery back-up must be installed on the floor level where the gas fireplace is installed. The carbon monoxide detector must comply with NFPA 720, be ANSI/UL 2034 listed and be ISA certified.
- A metal or plastic identification plate must be permanently mounted to the exterior of the building at a minimum height of eight (8) feet above grade and be directly in line with the horizontal termination. The sign must read, in print size no less than one-half (1/2) inch in size, GAS VENT DIRECTLY BELOW. KEEP CLEAR OF ALL OBSTRUCTIONS.

SPECIFICATIONS: Shoreline™

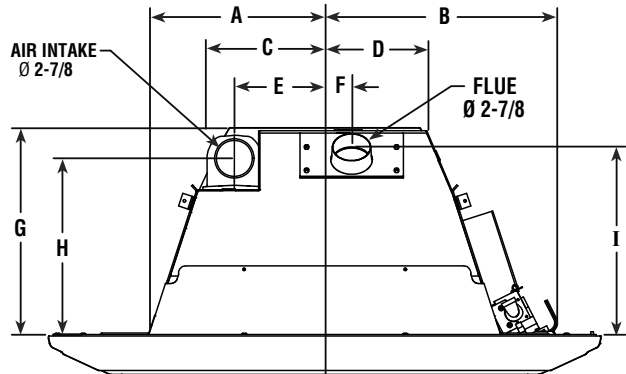
| Insert Dimensions | | Inches (millimeters) |
|-------------------|--------------------------------------|----------------------|
| A | Left front of unit to center line | 13-1/8 (333) |
| B | Right front of unit to center line | 17-1/4 (438) |
| C | Left rear of unit to center line | 9 (229) |
| D | Right Rear Of Unit To Center Line | 7-5/8 (194) |
| E | Center Of Air Intake To Center Line | 6-3/4 (172) |
| F | Center Of Flue To Center Line | 2 (51) |
| G | Insert Depth Into Fireplace | 15-3/8 (391) |
| H | Air Intake Center From Front | 12-7/8 (327) |
| I | Flue Center From Front Of Unit | 14 (356) |
| J | Front Of Unit To Back Of Flue Collar | 15-1/8 (384) |
| K | Unit Height At Front | 22-3/8 (568) |
| L | Base Of Unit To Top Of Flue Collar | 21 (533) |
| M | Base Of Unit To Intake Collar | 7-7/8 (200) |
| N | O.D. Width, Small, 3-pc Flange | 36-5/8 (930) |
| N | O.D. Width, Large, 3-pc Flange | 41 (1041) |
| O | O.D. Height, Small, 3-pc Flange | 25-7/8 (657) |
| O | O.D. Height, Large, 3-pc Flange | 28 (711) |
| P | O.D. Width, Small, 4-pc Flange | 36-5/8 (930) |
| P | O.D. Width, Large, 4-pc Flange | 41 (1041) |
| Q | O.D. Height, Small, 4-pc Flange | 29-3/16 (741) |
| Q | O.D. Height, Large, 4-pc Flange | 33-1/2 (851) |
| R | Glass Viewing Height | 16-7/8 (429) |
| S | Glass Viewing Width | 26-5/8 (676) |

| Rear Insert Dimensions - Inches (millimeters) | |
|---|--------------|
| Rear width of unit | 16-5/8 (422) |
| Front Width of unit | 30-3/8 (772) |
| Depth of unit (excluding Surround Kit) | 15-3/8 (391) |

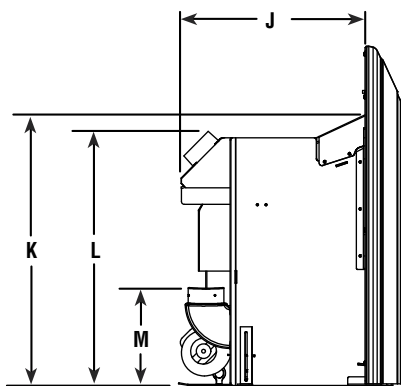
Note: Due to Lennox' ongoing commitment to quality, all specifications, ratings and dimensions are subject to change without notice.



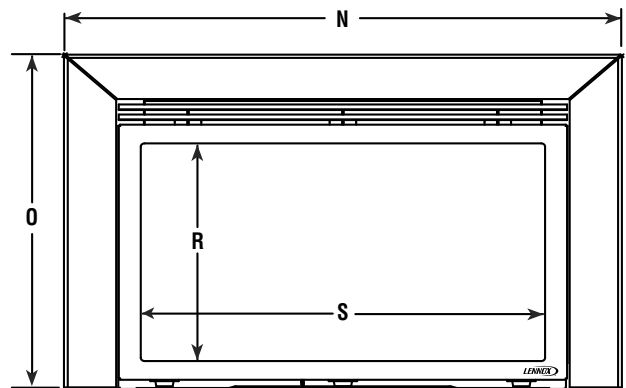
Front View 4-Sided Surround Kit



Top View Center



Side View



Front View 3-Sided Surround Kit

Figure 1

NOTE: DIAGRAMS AND ILLUSTRATIONS ARE NOT TO SCALE

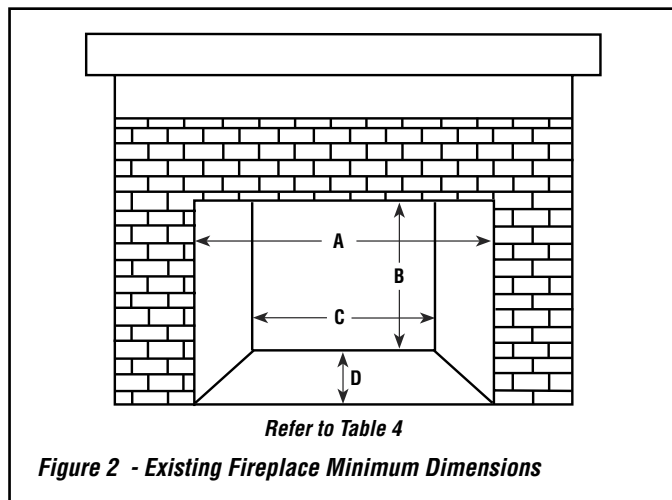
MINIMUM CLEARANCES TO COMBUSTIBLES

These appliances can be installed in most fireplace configurations. If installed close to an adjacent wall, ensure that the minimum clearances to combustible surfaces are maintained. A local building inspector should review your plans prior to installation.

Refer to **Figures 2 through 4** for clearances to combustibles. Minimum clearances include any projections such as shelves, window sills, mantels, spacers/standoffs or surfaces to combustible construction etc. above the appliance. Paint or lacquer used to finish the mantel must be heat resistant in order to avoid discoloration.

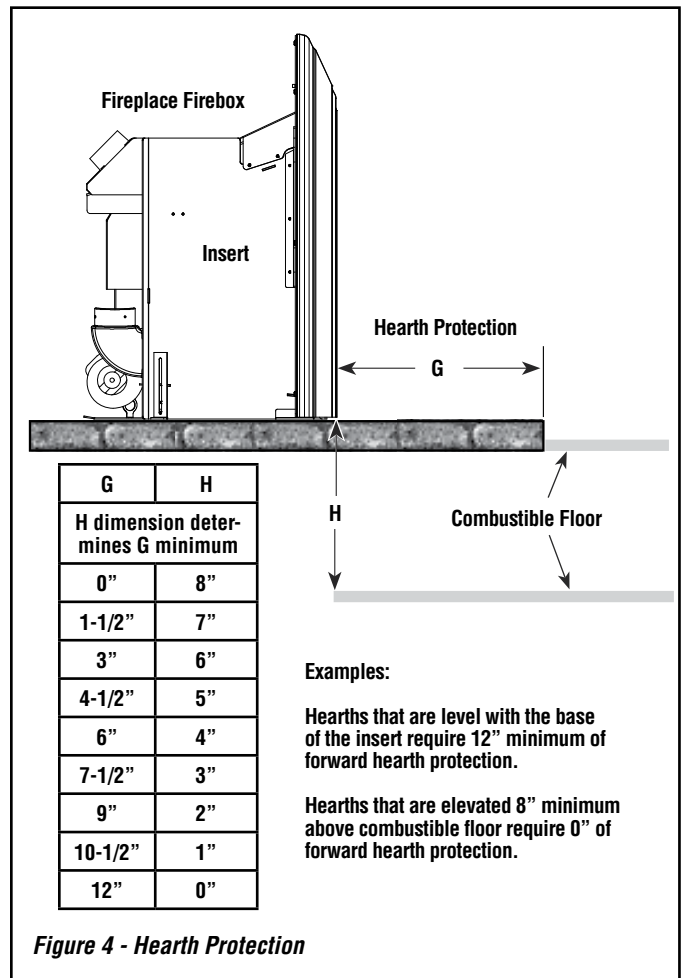
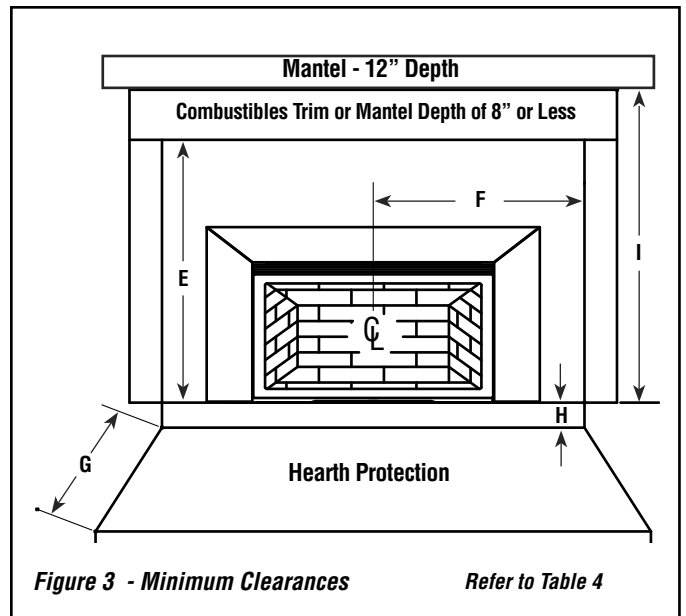
| | Minimum Fireplace Dimensions and Minimum Clearances | Inches (millimeters) |
|---|---|----------------------|
| A | Minimum front opening required | 36 (914) |
| B | Minimum height required | 21-1/2 (546) |
| C | Minimum rear width required | 19-1/2 (495) |
| D | Minimum fireplace depth required | 16 (406) |
| E | Clearance needed from bottom of insert to combustibles or 8" mantel | 35 (889) |
| F | Clearance required from center of glass to combustible material | 30 (762) |
| G | Minimum inches of hearth protection needed from front of unit | 12 (305) |
| H | Vertical clearance needed under the bottom of the insert for NO hearth protection | 8 (203) |
| I | Clearance needed from bottom of insert to 12" mantel | 38 (965) |

Table 4 Refer to Figures 2 through 4



Hearth / Floor Protection Requirements

The hearth and/or floor protection must be a thermally rated hearth/floor protector meeting or exceeding a thermal rating of $k = .84$ (or lower) or $r = 1.19$ (or higher) with a listed thickness of 1" minimum. If an hearth extension is used, check with the manufacturer for the listed thermal rating of the hearth extension to ensure it meets the thermal requirements of $k = .84$, $r = 1.19$, listed thickness 1". If a custom hearth or floor protection is planned, see NFI (National Fireplace Institute) certification manuals showing methods for calculating minimum thicknesses and approved fireplace hearth/floor protection materials.



INSTALLATION

Fireplace Requirements

These heaters are designed to be installed into an existing masonry fireplace (built to UBC 37 or ULC S628 standards) or factory built solid fuel, wood burning fireplace (listed to UL 127 or ULC S610) only. All exhaust gases must be vented outside the structure. Combustion air is drawn from outside the structure. When installing in a factory built fireplace, the fireplace grate must be removed and the damper must be removed or secured open.

The insert is designed to fit into a fireplace with a minimum firebox height of 21-1/2 inches (546 mm). To facilitate this the hood will need to be removed and discarded (*Note: the screws should be replaced in the insert body*). The air intake on the Shoreline™ is removable for easier installation.

If the factory-built fireplace has no gas access hole(s) provided, an access hole of 1-1/2 inches (38 mm) or less may be drilled through the lower sides or bottom of the firebox in a proper workmanship like manner. This access hole must be plugged with a non-combustible insulation after the gas supply line has been installed. The installer must mechanically attach the marking supplied with the gas fireplace insert to the inside of the firebox of the fireplace into which the gas fireplace insert is installed.

Si le foyer préfabriqué ne comporte pas d'orifices d'amenée du gaz, un orifice d'au plus 37,5 mm (1,5 po) peut être pratiqué, selon les règles de l'art, dans la partie inférieure des parois ou au fond de la chambre de combustion. Cet orifice doit être obturé au moyen d'isolant incombustible une fois la conduite de gaz en place.

IMPORTANT: When installing these appliances into a factory built fireplace or heat-form, the air flow within and around the fireplace shall not be altered by the installation of the insert (i.e. DO NOT BLOCK louvers or cooling air inlet or outlet ports, circulating air chambers in a steel fireplace liner or metal heat circulator).



Figure 5 - Fireplace Warning Label

CAUTIONS

- Trim panels or surrounds must not seal ventilation openings in the existing fireplace that the appliance is installed in.
- The fireplace in which this gas insert is to be installed must be thoroughly cleaned if it has been used to burn wood or synthetic logs. Have the chimney and all inside surfaces of the fireplace brushed and vacuumed so that no soot, embers, or loose combustion deposits can be drawn into the heat circulation blower and blown into the living area.
- If any portion of the chimney system shows signs of structural or mechanical weaknesses, such as: cracks, leaky joints, corroded or warped surfaces, the faulty portion must be repaired or replaced prior to installing this appliance.
- The factory built firebox must accept the insert without modification other than removing bolted or screwed together pieces such as baffles / smoke shelf / deflectors, ash lips, glass door, screen or door tracks, log grates, refractory or masonry lining and damper assemblies. Any fireplace component, which is removed, must be retained so they can be reinstalled to restore the fireplace to its original operating condition. The removal of any part must not alter the integrity of the outer shell of the pre-engineered fireplace cabinet in any way. Any parts removed must be replaceable. If any components are removed from (or altered) from the existing fireplace, a Warning Label (see Figure 5) must be affixed inside the fireplace firebox, so that it shall be visible upon removal of the fireplace insert. Note: RTV high temperature silicone is an approved adhesive to affix the label.

Venting Requirements

Approved Vent Systems:

Lennox Hearth Products Co-linear Chimney Liner Kit Recommended:

- The Flex Kit, Cat. No. H0909 includes one 35 feet flex liner and four gear clamps.
- The Termination Kit, Cat. No. TKDVI includes the termination cap with two co-linear collars for 3 inches (76 mm) flex attachments and flashing.
- The Flex and Termination Kit, Cat. No. DV3FK35 includes two flex liners, termination cap and four gear clamps.

Secure Vent™ Co-Linear Chimney Liner Kit Recommended:

- Direct-Vent Vertical Termination Kit (includes Vertical Termination Cap gas/Connector, Flashing, Qty 2 of 25 feet (7.6 M) length of 3 inches (76 mm) Aluminum Flex, Clamps and Sealant) #DV3FK25
- Direct-Vent Vertical Termination Kit (includes Vertical Termination Cap/Connector, Flashing, Qty 2 of 35 feet length of 3 inches Aluminum Flex, Clamps and Sealant) #DV3FK35

Standard Simpson Dura-vent Co-linear Chimney Liner Kit recommended:

- Direct-Vent Vertical Termination Cap #991
- Liner Termination Kit (includes termination connector and flashing) #923GK
- 3" x 35 feet (76 mm x .91 M) Alum Flex #2280

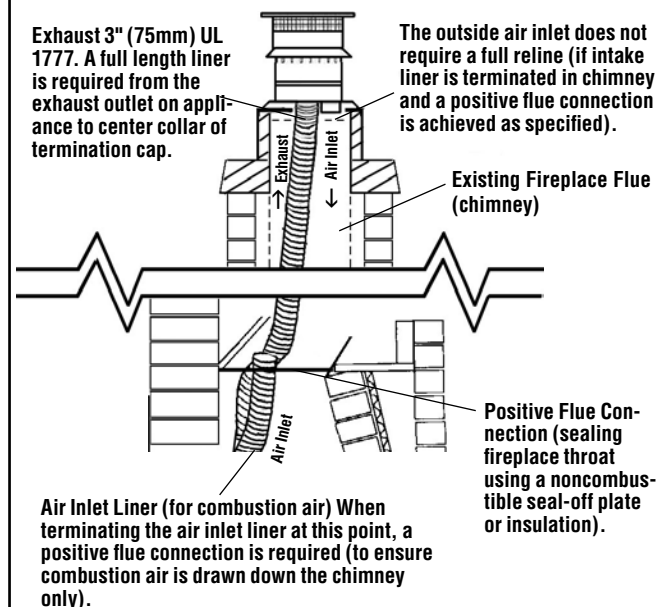
Selkirk/Metalbestos Direct-Temp Co-Linear Chimney Liner Kit recommended

- Direct-Vent Vertical Termination Cap #4DT-VC
- Liner Termination Kit (includes termination connector and flashing) #4DT-CTB
- 3" x 35' (76 mm x .91 M) Aluminum Flex #AF3-35L

Amerivent Direct Co-Linear Chimney Liner Kit recommended

- Direct-Vent Vertical Termination Cap #4DVC
- Co-Linear Adaptor #4DCAT33
- Flashing #4DF or #5DF
- 3" x 35' Aluminum Flex #3AFL-35

NOTE: Terminating the air intake liner as shown here may not be allowed by some local codes. Check with the authority having jurisdiction for your area.



Masonry and Factory Built Fireplaces

Figure 6a - Terminating Air Inlet in Chimney

Positive Flue Connection Masonry and Factory Built Fireplaces

A qualified installer should evaluate the existing fireplace to determine the best method for achieving a positive flue connection between the vent and intake liners and the chimney.

The existing fireplace chimneys may take various contours which the flexible liners will accommodate. However, keep the flexible liner as STRAIGHT as possible, avoid unnecessary bending.

The standard cap in Termination Kit, TKDVI, is a high wind cap

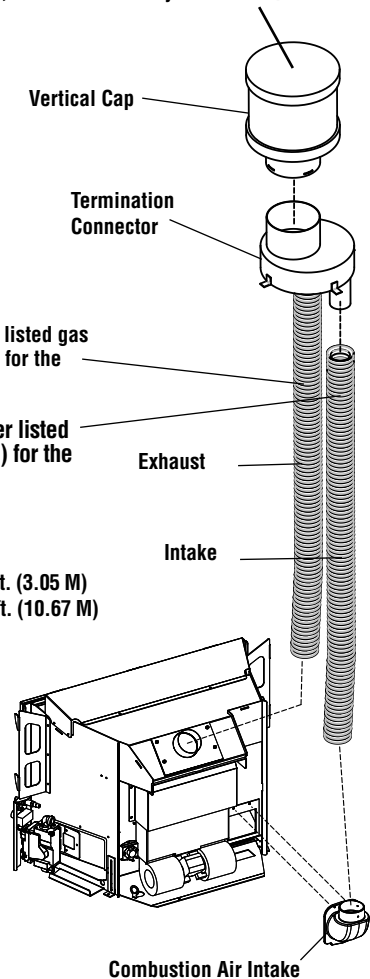
Liner Requirements:

Use 3" (76 mm) diameter listed gas vent liner (UL1777 ONLY) for the EXHAUST

Use 3" (76 mm) diameter listed vent liner (UL 181 or UL1777) for the AIR INTAKE.

Vertical Height Min. = 10 ft. (3.05 M)
Vertical height Max. = 35 ft. (10.67 M)

The flexible vent pipe must NOT be allowed to sag behind insert or in fireplace flue.



Make sure that both liners will pass through existing damper area. Remove or lock damper to allow the passage of the flexible liners. If the damper will not allow the passage of both liners, DO NOT PROCEED FURTHER. (If fireplace is masonry) Consult a local mason for removal of the damper without risk of structural damage or leakage (if the fireplace is factory built) The appliance may NOT be installed into the fireplace.

Figure 6b

WARNING

Do not substitute the heat-rated flex liner (UL1777) for the exhaust with any other type liner or a fire may result causing property damage, personal injury or loss of life.

Vertical Venting

The combustion air intake pipe can be connected to the termination cap (see **Figure 6b**) or it can terminate inside the chimney (see **Figure 6a**). If combustion air intake pipe is terminated inside the chimney and not connected to the actual termination cap the bottom opening of the chimney (chimney throat) must be sealed around the vent pipes. Use a non combustible seal-off plate (i.e. 22 gage sheet steel) or unfaced fiberglass insulation (8 lb per square foot density minimum) to seal around the vent pipes. Whichever "seal off" method is used must effectively seal the area to prevent room air passage to the chimney of the fireplace. The insulation may give off an odor during the first hour of operation.

NOTES:

The minimum vertical rise (exhaust vent) is 10 feet (3.05 M) and the maximum vertical rise is 35 feet (10.67 M). These dimensions are measured from the flue collar of the unit to the end of the vent pipe. The fireplace and fireplace chimney must be clean and in good working order and constructed of non-combustible materials. Inspect chimney clean-outs for proper fit and seal.

See **Table 5** for the minimum vertical termination height requirements.

| Vertical Termination Height Minimum (Factory Built and Masonry Fireplaces) | |
|---|------------|
| The vent/air intake termination clearances above the high side of an angled roof is as follows: | |
| Feet (meters) | Roof Pitch |
| 8 (2.4) | 2/12 |
| 7 (2.1) | 4/12 |
| 6 (1.8) | 6/12 |
| 5 (1.5) | 8/12 |
| 4 (1.2) | 10/12 |
| 3 (0.9) | 12/12 |
| 2 (0.6) | 14/12 |
| 1 (0.3) | 16/12 |
| 0 (0.0) | |

Table 5

Insert Leveling

At each front and rear corner of the insert is an adjustable leg provided to level the insert should the hearth of the fireplace be uneven. To adjust the legs in the rear, loosen the two 5/32" allen head screws, move the leg to the desired height, and then tighten the screws. Repeat these steps for each adjusting leg. To adjust the legs in the front use a 9/16" open end wrench. See **Figures 7 and 8**.

NOTE: The rear leveling legs on each side of the gas fireplace insert unit have 13/64" holes located in them for the purpose of fastening the rear of the unit down in the fireplace (masonry or factory built fireplace).

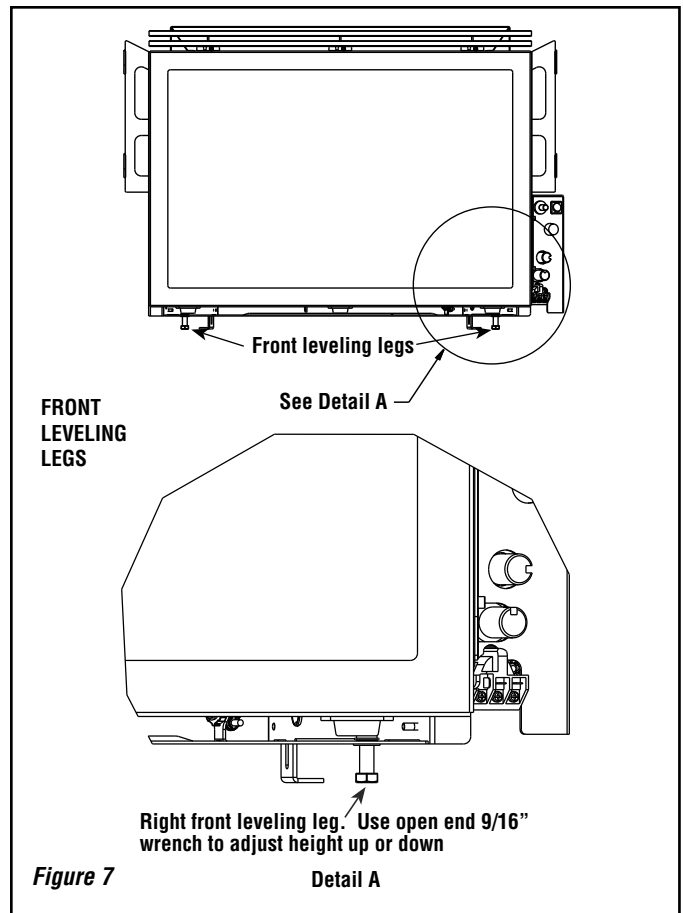


Figure 7

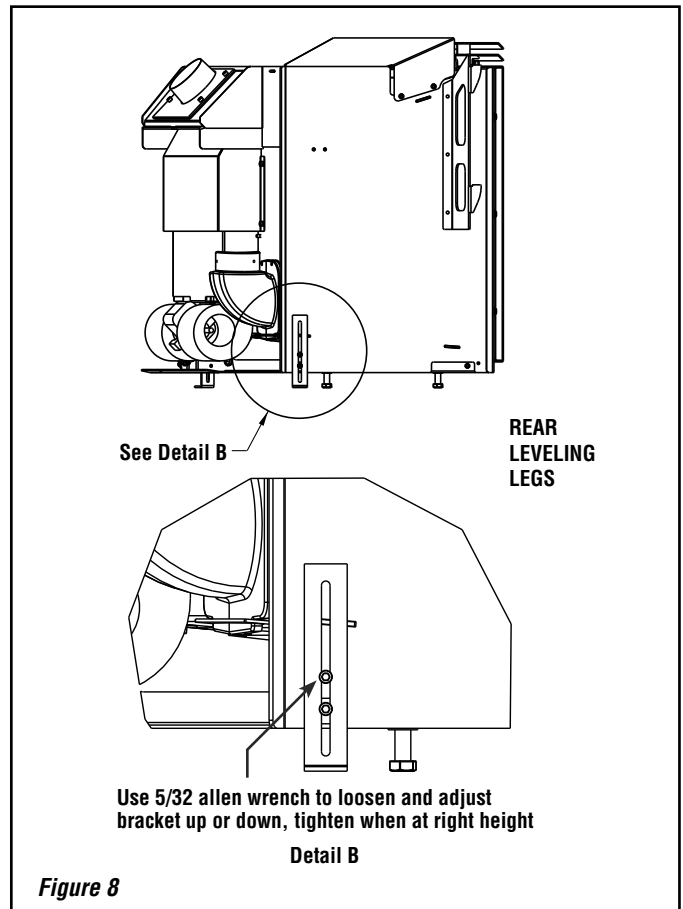


Figure 8

SHORELINE™ DOOR ASSEMBLY INSTALLATION OR REMOVAL INSTRUCTIONS

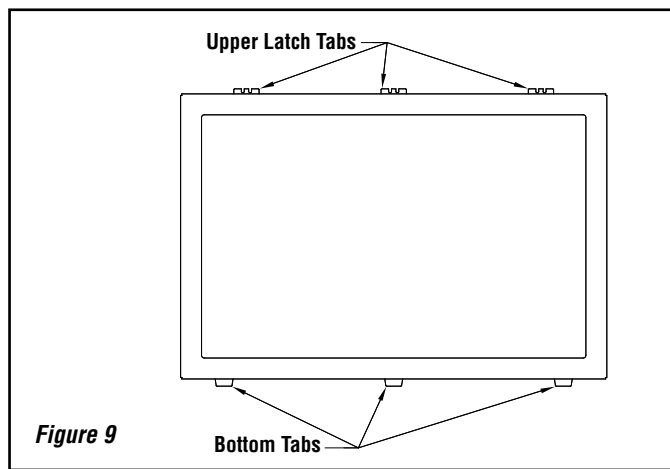
Tools Needed: 5/32" Allen Wrench or T-Handle

Cat. No. H5746
Description Shoreline Door Assembly (Figure 9)

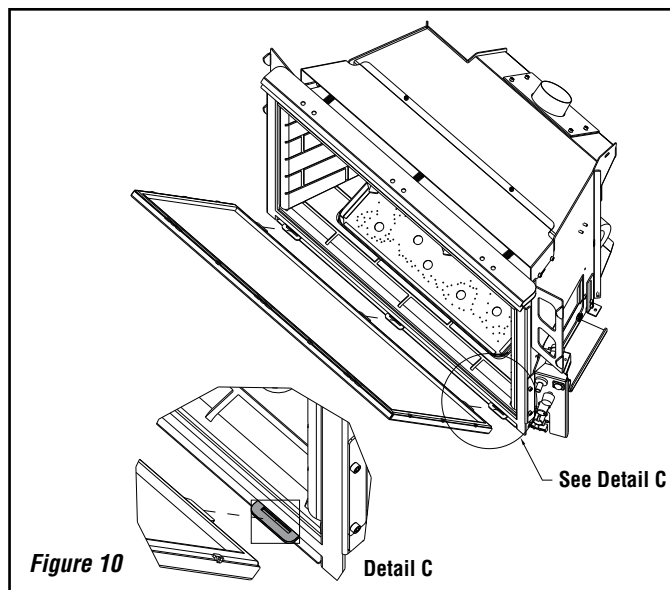
| Shoreline Door Kit - Packaging List | |
|-------------------------------------|-------------------------|
| Models SHR33 & SHR40 | |
| Quantity | Description |
| 1 | Shoreline Door Assembly |

Table 6 - (refer to Figure 9)

Note: The Shoreline insert comes with the door already on the unit. Just reverse the steps here to remove the door to access the burner area.

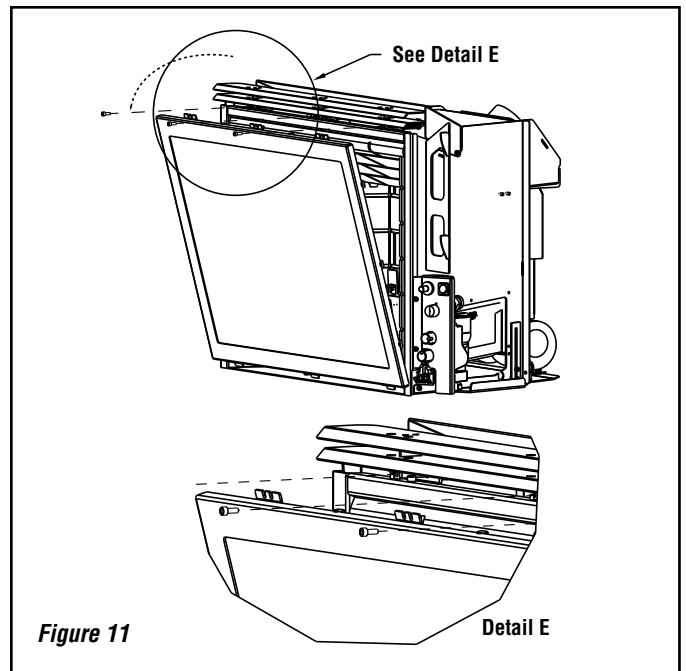


1. Locate the three bottom tabs on the bottom of the door. These tabs on the bottom of the door will insert in the slots along the bottom of the insert. See **Figure 10**.

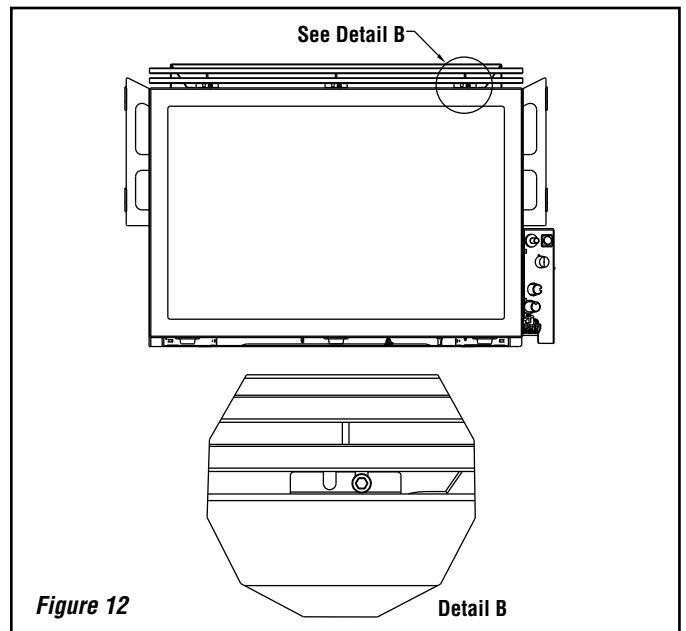


2. Drop the door into these three slots on the bottom of the insert as shown in **Figure 11**. Once this is done you can then rotate the door up to seal against the firebox front.

NOTE: DIAGRAMS AND ILLUSTRATIONS ARE NOT TO SCALE



3. Using the 5/32" Allen Wrench or T-Handle insert the three 10-24 screws with washers into the three locations on the upper latch assembly. You can then tighten the screws down by turning the wrench or T-Handle clockwise (**SNUG ONLY-DO NOT OVERTIGHTEN**). See **Figure 12**.



4. **Figure 13** shows the insert with the door in place.



SHORELINE™ REFRACTORY BRICK INSTALLATION INSTRUCTIONS

Tools Needed: No tools are needed

| Cat. No. | Model | Description |
|----------|-------------------|--|
| H7987 | SHR-BRK-STD | Brick Panel Set, Tan |
| H7988 | SHR-BRK-RED | Brick Panel Set, Red |
| H7989 | SHR-BRK-ARCHSTONE | Brick Panel Set, Architectural (shown) |

Refractory Brick Panel Kits - Packaging List
Models SHR33 & SHR40

| Quantity | Description |
|----------|------------------------|
| 1 | Front Bottom Panel (A) |
| 1 | Rear Panel (B) |
| 1 | Left Side Panel (C) |
| 1 | Right Side Panel (D) |
| 1 | Top Panel (E) |

Table 7 - (refer to Figure 14)

IMPORTANT NOTE: A refractory brick panel kit is required for proper operation (sold separately). Never operate this appliance without all the refractory brick panels properly installed.

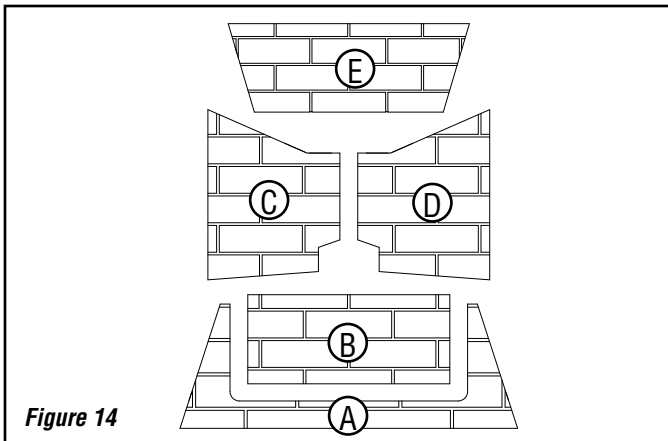


Figure 14

CAUTION

Before you install the refractory brick panels and log set, the insert should be installed in the fireplace, the venting attached, the gas line connected and tested for leaks and the initial burner operation checked.

To Install Panels:

1. Start with the front bottom panel A. Set the front bottom panel in place with detail side facing up as shown. See *Figure 15*.

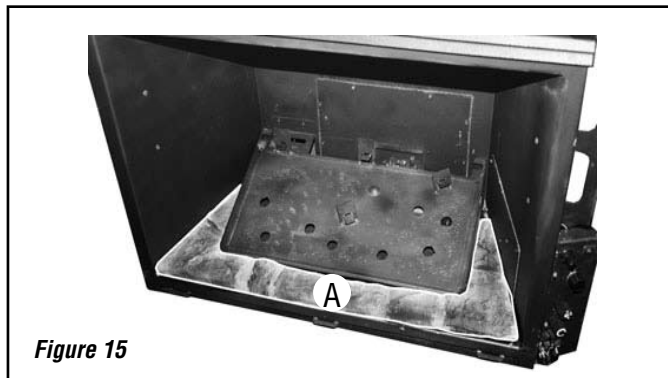


Figure 15

2. Next place the rear panel (B). It will set on the bracket mounted to the blower mounting plate on the back of the firebox. See *Figure 16*.



Figure 16

3. Position and slide the side panels against the rear panel. Make sure panels are behind brackets to hold them in at the top. The side panels will hold the rear brick panel against the back of the firebox. See *Figure 17*.

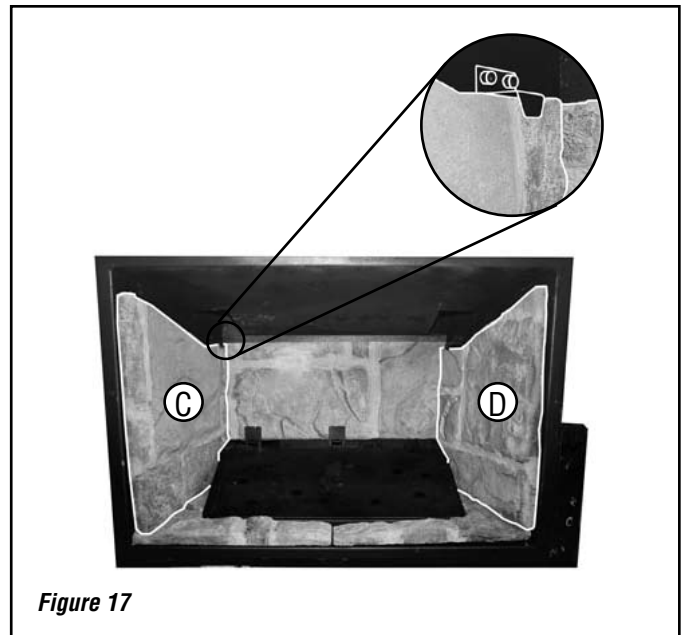


Figure 17

4. Slide the top panel in place with the detailed side down. Make sure panel is positioned all way back and resting on side panels. Top panel should be flush in front with the side panels. See *Figure 18*.

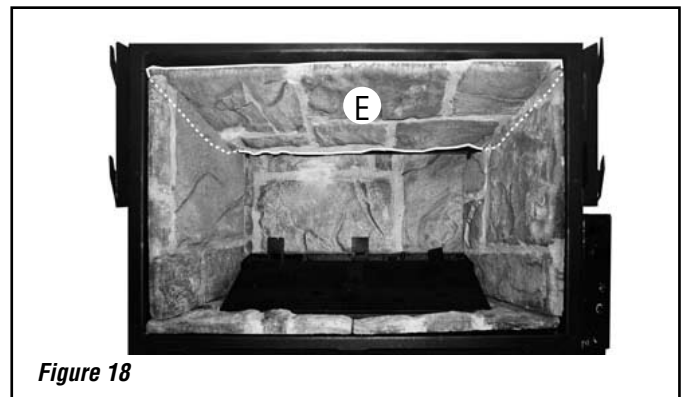


Figure 18

NOTE: DIAGRAMS AND ILLUSTRATIONS ARE NOT TO SCALE

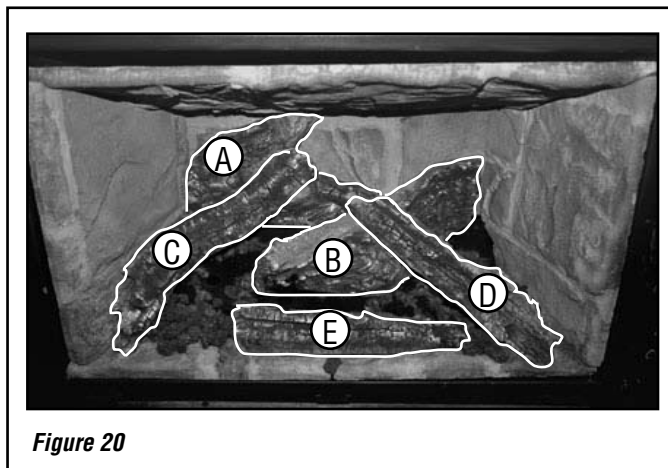
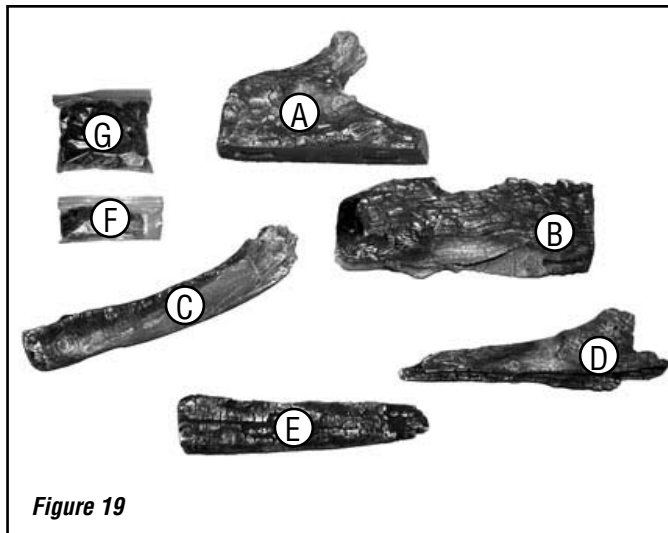
SHORELINE™ LOG SET INSTALLATION INSTRUCTIONS

Tools Needed: No tools are needed

Cat. No. H5747
Description 5-Piece Ceramic Log Set

| Log Set - Packaging List | |
|--------------------------|---------------------------------|
| Models SHR33 & SHR40 | |
| Quantity | Description |
| 1 | Rear Log (A) |
| 1 | Center Log (B) |
| 1 | Left Log (C) |
| 1 | Right Log (D) |
| 1 | Front Log (E) |
| 1 | Bag of Glowing Embers (F) |
| 1 | Bag of Decorative Lava Rock (G) |

Table 8 - (refer to Figure 19)

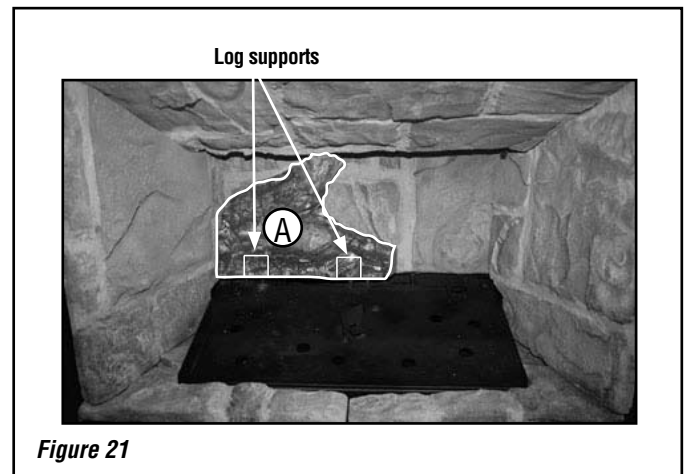


⚠ CAUTIONS

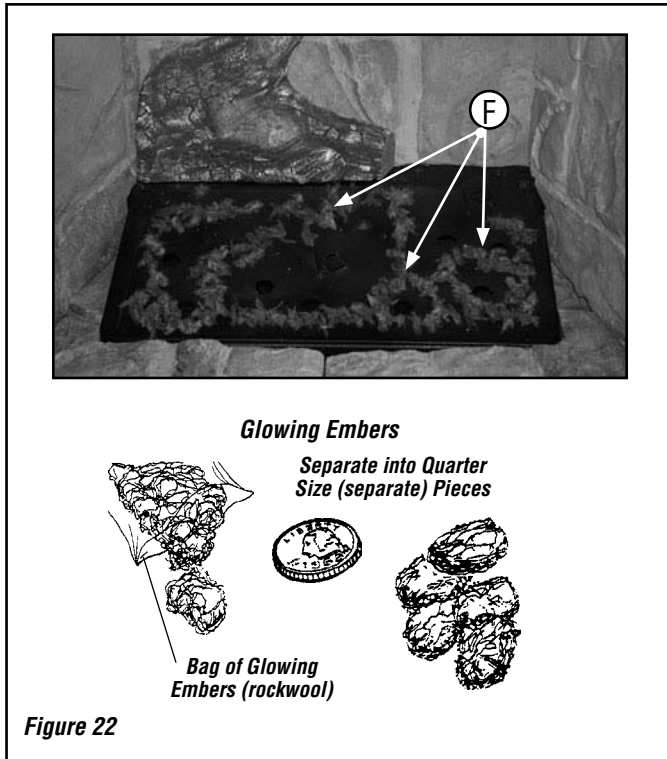
- If logs are not installed according to the log installation instructions, flame impingement and improper combustion could occur and result in soot and/or excessive production of carbon monoxide (CO), a colorless, odorless, toxic gas.
- The size and position of the log set is critical to achieve a safe, reliable and attractive flame pattern. Any attempt to use a different log set in the fireplace will void the warranty and will result in incomplete combustion, sooting, and poor flame quality.

To Install Log Set:

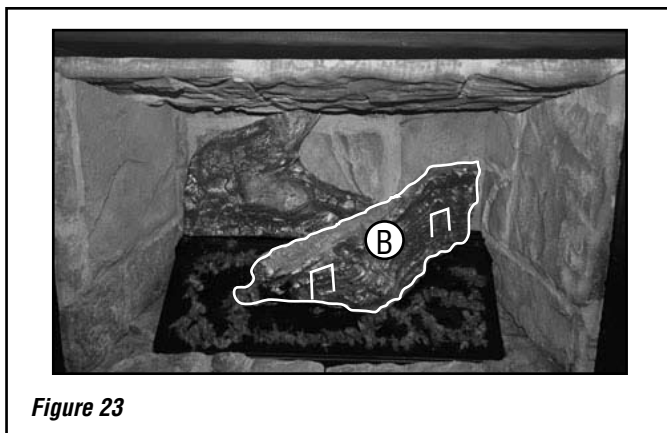
1. Open the box and carefully remove and identify the different items. Start with the rear log (A). Set it down on the log supports located on the left rear of firebox. See **Figure 21**.



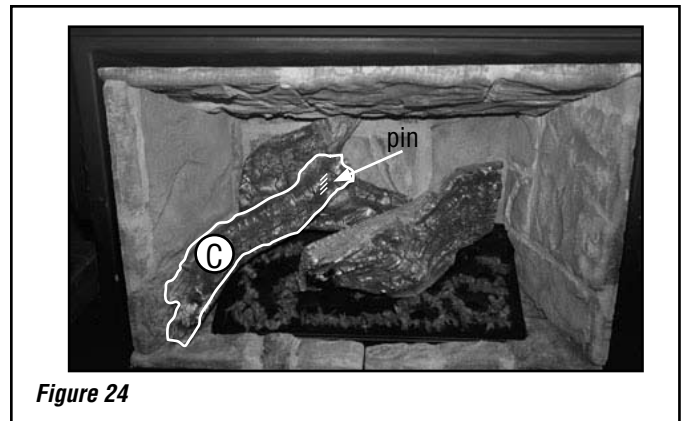
- Separate the glowing embers (F) into quarter size pieces and place along ports on burner pan. DO NOT cover burner secondary holes on burner pan. The pattern for the glowing embers should be similar to what is shown in **Figure 22**.



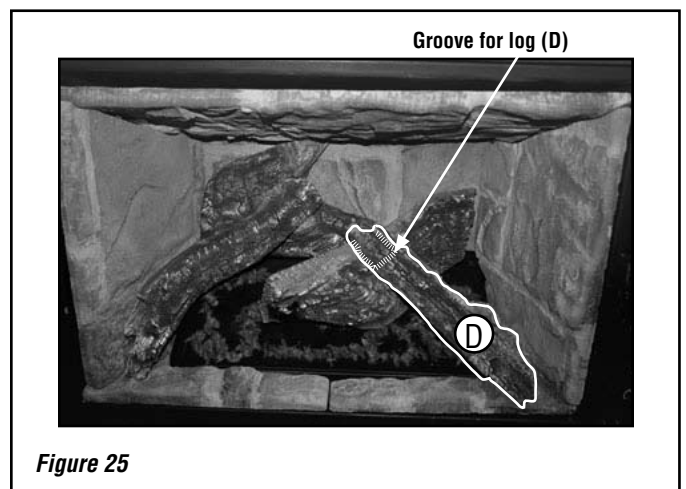
- Place center log (B) on supports towards bottom left and top right of log (B). See **Figure 23**.



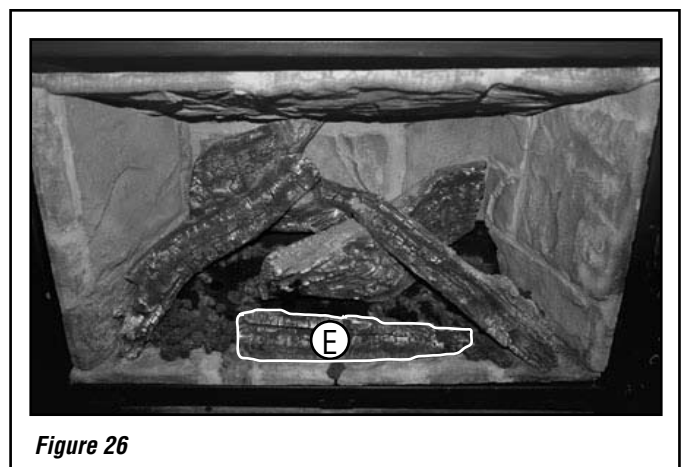
- Place left log (C) on pin in back. Push log against left side of refractory in front. See **Figure 24**.



- Locate groove in center log (B), and place the top of the right log (D) in groove with the bottom end of the log resting against the right refractory panel. See **Figure 25**.



- Place the front log (E) as shown in **Figure 26**, making sure no burner ports are covered. Place the decorative lava rock around logs as desired, again making sure there are no ports or holes covered.



- Figure 26** shows the complete set of ceramic logs in the correct locations.

SHORELINE™ SURROUND ASSEMBLY INSTALLATION

Tools Needed: No tools are needed

One of the following surround kits is required (Purchased separately).

| Surround Kits | | |
|----------------------|----------------------|----------------------|
| Models SHR33 & SHR40 | | |
| Part/Cat. # | Description | Dimensions |
| 75387 | Small 3-sided Flange | 36-5/8"W x 25-7/8"H |
| 75385 | Small 4-sided Flange | 36-5/8"W x 29-3/16"H |
| 75388 | Large 3-sided Flange | 41"W x 28"H |
| 75386 | Large 4-sided Flange | 41"W x 33-1/2"H |

Table 9

Note: Install surround with insert positioned in the fireplace, but a few inches in front of its final location.

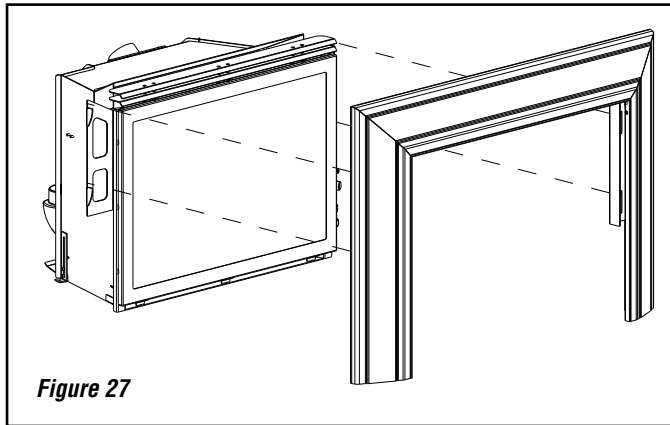


Figure 27

To Install Surround Panels:

1. Hang the surround on hooks attached to insert (labeled A and B). Make sure the surround is seated firmly on the hooks. See **Figures 28 and 29**.

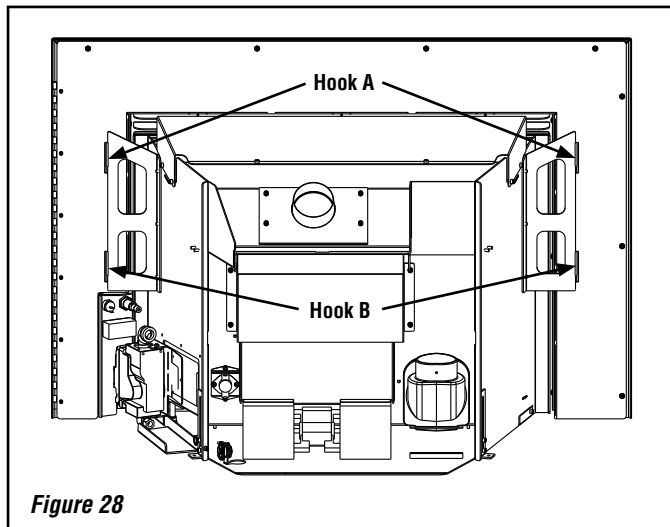


Figure 28

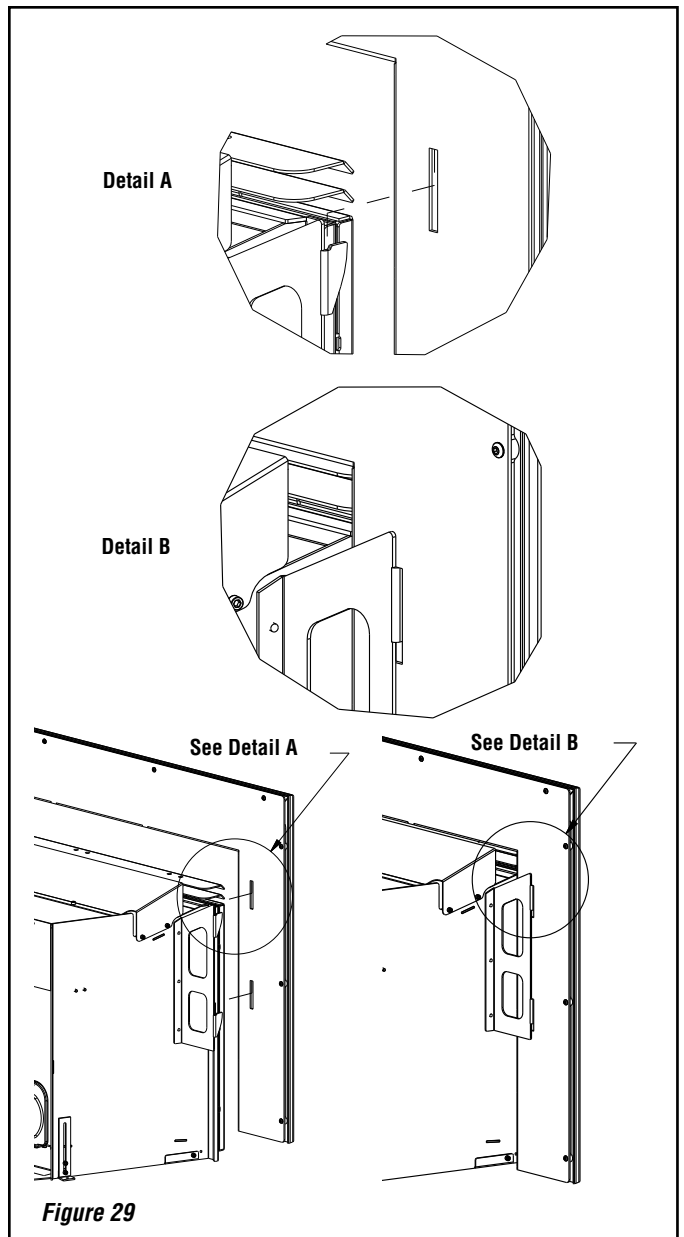


Figure 29

2. Slide the insert into its final location in the fireplace. In case of uneven wall surface open the right surround access door and make any adjustments needed to ensure there is enough clearance to open the access door (see **Page 18**).



Figure 30

Important Note: The trim panels or surrounds must not seal ventilation openings on the appliance.

NOTE: DIAGRAMS AND ILLUSTRATIONS ARE NOT TO SCALE

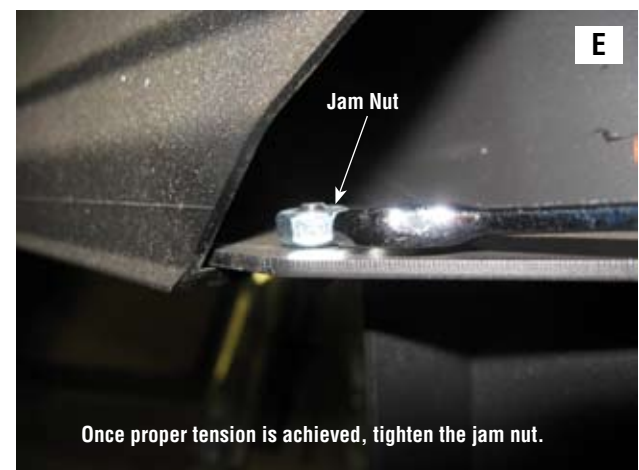
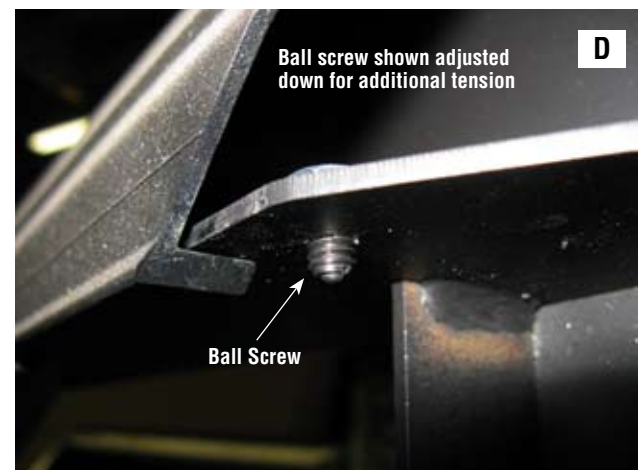
SURROUND BALL SCREW MOUNT ADJUSTMENT

Tools Needed:

7/16" wrench

Adjustment Procedure:

- Step 1** Open the surround access door. Inspect the tension or lack of tension while opening the door to determine if it should open easier or tighter.
- Step 2** With access door open you will see the ball screw and jam nut on the surround backing plate near the top surround piece as seen in picture A. Using a 7/16" wrench, loosen the jam nut on the ball screw as shown in **Picture B**.
- Step 3** Once this jam nut is loose you can then adjust the ball screw for more or less tension using your fingers as seen in **Picture C**. Turning the ball screw counter-clockwise, as you are looking at it, will give you less tension and turning the ball screw clockwise will give you more tension when opening and closing the surround access door. **Picture D** is showing the ball screw adjusted down for additional tension.
- Step 4** You can then test close the surround access door to ensure it has proper tension. Readjust if needed.
- Step 5** Once the proper tension is achieved, hold the ball screw with your fingers, then using a 7/16" wrench tighten the jam nut, clockwise (**SNUG ONLY, DO NOT OVERTIGHTEN**).



GAS LINE INSTALLATION

We recommend that a qualified individual such as a plumber or gas fitter be used to correctly size and route the gas supply line to the appliance. Installing a gas supply line from the fuel supply to the appliance involves numerous considerations of materials, protection, sizing, locations, controls, pressure, sediment, and more. Certainly no one unfamiliar and unqualified should attempt sizing or installing gas piping. Never use galvanized or plastic pipe.

The gas supply line should be plumbed from the fuel source to the area where the appliance is to be installed per requirements outlined in NFPA 54 - latest edition (USA) or CAN/CSA B149.1 - latest edition (Canada) and per local codes.

The insert comes with an 8 inch (203 mm) nipple attached to the supply side of the gas valve. After connecting the gas line, all joints in the line and connections at the valve should be checked for leaks using a gas leak test solution before final positioning of the unit. Conduct a gas leakage test of the appliance piping and control system downstream of the shutoff valve in the supply line to the appliance.

Gas Pressure Requirements

It is important to check the gas pressure during the initial installation of the insert and ensure there are no operating problems. This insert will not function properly unless the required gas pressure is supplied.

Two pressure taps are provided on the insert's valve to check gas pressures (see **Figure 37 on Page 25**). The taps are located to the left of the on/off/pilot knob. The top tap is the inlet (supply) pressure side. To check inlet pressure (with the fireplace insert burning), insert a small regular screwdriver into the tap and turn a half turn counterclockwise. Cover the tap with the line from a manometer and check the pressure. Close the tap gently but securely after completing the check. The manifold (outlet) tap is below the inlet tap. To check manifold pressure (with the insert burning at the high burn setting) insert a small phillips screwdriver into the tap and turn a half turn counterclockwise. Cover the tap with the line from the manometer and check the pressure. Again, close the tap gently but securely after completing the check. Check the taps for gas leaks with a gas leak test solution and retighten if necessary.

If the pressure is too low, make sure the gas supply line is large enough, the supply regulator is properly adjusted, and the total gas load for the residence does not exceed the amount supplied.

IMPORTANT NOTE: If propane is used, be aware that if the tank size is too small (i.e. under 100-lbs, if this is the only gas appliance in the dwelling. Ref. NFPA 58), there may be loss of pressure, resulting in insufficient fuel delivery (which can result in sooting or other malfunctions). Any damage resulting from an improper installation, such as this, is not covered under the limited warranty.

Propane tanks are at pressures that will cause damage to valve components. Verify that the tanks have step down regulators to reduce the pressure to safe levels.

These appliances must be isolated from the gas supply piping system (by closing their individual manual shut-off valve) during any pressure testing of the gas supply piping system at test pressures equal to or **less than** 1/2 psig (3.5 kPa).

These appliances and their individual shut-off valves must be disconnected from the gas supply piping system during any pressure testing of that system at pressures **greater than** 1/2 psig (3.5 kPa).

Tables 10 and 11 show the units' gas pressure requirements for these appliances.

| Inlet Gas Supply Pressure | | | |
|---------------------------|--------------------------------|--------------------------------|------------------------------|
| Fuel # | Minimum | Maximum | Desired |
| Natural Gas | 5" WC/ps. C.E (1.25 kPa) | 10.5" WC/ps. C.E (2.61 kPa) | 7" WC/ps. C.E (1.74 kPa) |
| Propane | 10.5" WC/ps. C.E (2.61 kPa) | 13.0" WC/ps. C.E (3.23 kPa) | 11" WC/ps. C.E (2.74 kPa) |

Table 10

| Manifold Gas Supply Pressure | | |
|------------------------------|------------------------------------|-------------------------------------|
| Fuel # | Low | High |
| Natural Gas | (Lo) 1.3" WC/ps. C.E (.32 kPa) | (Hi) 3.5" WC/ps. C.E (.87 kPa) |
| Propane | (Lo) 5.4" WC/ps. C.E (1.35 kPa) | (Hi) 10.0" WC/ps. C.E (2.49 kPa) |

Table 11

LP and Natural Gas Supplies

Your Shoreline™ can be operated with either natural gas or liquid propane (LP). It is shipped from the factory for use with only natural gas. The fireplace insert must always be operated with the same gas as specified on the label unless converted by a qualified service technician as per this manual.

Also check the orifice size on the label located below the Shoreline insert. It must be the correct size for the fuel and altitude.

INSTALLER INSTRUCTIONS - ATTACHING SAFETY IN OPERATION WARNINGS

It is the installers responsibility to ensure these warnings are properly affixed during installation. These warning labels are a critical step in informing consumers of safe operation of this appliance.

ATTACHING SAFETY IN OPERATION WARNINGS

It is required that the safety instruction labels furnished with the fireplace be affixed to the operation and control point of the fireplace. A safety instruction label must be affixed to the wall switch plate where the fireplace is turned on and off (See **Figure A**) or wall thermostat (See **Figure B**) and if used on the remote control handheld transmitter (**Figure C**). To properly complete the installation of this fireplace, locate the multi-lingual adhesive labels provided with the Care and Operation Instructions and proceed as follows:

1. Locate the wall switch or wall thermostat that controls the fireplace (verify the switch operates the fireplace by turning it on and off). Clean the wall switch plate or wall thermostat thoroughly to remove any dust and oils. Affix the label to the surface of the plate of the wall switch that controls the fireplace (**Figure A**) or the wall thermostat (**Figure B**). Choose the language primarily spoken in the home. If unknown, affix the English language label.
2. If a remote control is used to control the fireplace, locate the transmitter and clean it thoroughly to remove any dust and oils. Affix the label to the surface of handheld transmitter (**Figure C**). Choose the language primarily spoken in the home. If unknown, affix the English language label.
3. If you are unable to locate the labels, please call Lennox Hearth Products or your nearest Lennox Hearth Products dealer to receive additional safety instruction labels free of charge.

Cat. No. H8024 Replacement Label Kit

LENNOX HEARTH PRODUCTS
1-800-9-LENNOX

Note: English is red text on clear label. French and Spanish are white text on black label.

APPOSITION DES MISES EN GARDE RELATIVES À LA SÉCURITÉ D'UTILISATION

Il est impératif que les étiquettes de sécurité fournies avec le foyer soient collées à côté des dispositifs de contrôle du foyer. Une étiquette de sécurité doit être collée sur la plaque de l'interrupteur contrôlant l'allumage du foyer (voir **Figure A**) ou sur le thermostat mural (voir **Figure B**) et, le cas échéant, sur le boîtier de la télécommande (**Figure C**). Pour achever l'installation correcte de ce foyer, procédez comme suit avec les étiquettes adhésives en langues étrangères fournies avec les instructions d'utilisation et d'entretien :

1. Repérez l'interrupteur ou le thermostat mural qui contrôle le foyer (vérifiez que l'interrupteur contrôle le fonctionnement du foyer en le faisant basculer de Marche à Arrêt, et vice-versa). Nettoyez soigneusement la plaque murale de l'interrupteur ou le thermostat mural pour éliminer la poussière et les traces de graisse ou d'huile. Collez l'étiquette sur la surface de la plaque de l'interrupteur mural qui contrôle le foyer (**Figure A**) ou du thermostat mural (**Figure B**). Choisissez la langue qui est principalement parlée dans la résidence du propriétaire. En cas de doute, collez l'étiquette en anglais.
2. Si une télécommande est utilisée pour contrôler le foyer, nettoyez la soigneusement pour éliminer la poussière et les traces de graisse ou d'huile. Collez l'étiquette sur le boîtier de la télécommande (**Figure C**). Choisissez la langue qui est principalement parlée dans la résidence du propriétaire. En cas de doute, collez l'étiquette en anglais.
3. Si vous ne trouvez pas les étiquettes, veuillez appeler Lennox Hearth Products ou votre distributeur Lennox Hearth Products local pour recevoir gratuitement des étiquettes supplémentaires.

Étiquettes de remplacement, n° cat. H8024

LENNOX HEARTH PRODUCTS
1-800-9-LENNOX

Remarque : Le texte anglais est rouge sur un support transparent. Le texte français et espagnol est blanc sur un support noir.

COLOCACIÓN DE ADVERTENCIAS DE SEGURIDAD EN OPERACIÓN

Se requiere que las etiquetas de instrucciones de seguridad incluidas con la chimenea se coloquen en el punto de operación y control de la misma. Se debe colocar una etiqueta de instrucciones de seguridad en la placa del interruptor de pared desde el cual se enciende y se apaga la chimenea (ver la **Figura A**) o en el termostato de pared (ver la **Figura B**) y en el transmisor de control remoto (**Figura C**) si se usa. Para completar correctamente la instalación de esta chimenea, encuentre las etiquetas adhesivas multilingües incluidas con las instrucciones de cuidado y operación y haga lo siguiente:

1. Identifique el interruptor o el termostato de pared que controla la chimenea (verifique que el interruptor opera la chimenea encendiéndola y apagándola). Limpie bien la placa del interruptor o el termostato de pared para quitar el polvo y aceite. Pegue la etiqueta en la superficie de la placa del interruptor que controla la chimenea (**Figura A**) o en el termostato de pared (**Figura B**). Seleccione el idioma que más se habla en la casa. Si no sabe cuál es, use la etiqueta en inglés.
2. Si se usa un control remoto para controlar la chimenea, encuentre el transmisor y límpielo bien para quitar el polvo y aceite. Pegue la etiqueta en la superficie del transmisor (**Figura C**). Seleccione el idioma que más se habla en la casa. Si no sabe cuál es, use la etiqueta en inglés.
3. Si no puede encontrar las etiquetas, sírvase llamar a Lennox Hearth Products o al distribuidor de Lennox Hearth Products más cercano para recibir etiquetas de instrucciones de seguridad adicionales gratuitas.

Juego de etiquetas de repuesto - N° de cat. H8024

LENNOX HEARTH PRODUCTS
1-800-9-LENNOX

Nota: La etiqueta en inglés es transparente con texto rojo. Las etiquetas en francés y español son negras con texto blanco.

DIAGRAMMES DES ÉTIQUETTES DE SÉCURITÉ / DIAGRAMAS DE ETIQUETAS DE SEGURIDAD / SAFETY LABEL DIAGRAMS

⚠ AVERTISSEMENT

Un foyer chaud peut causer de graves brûlures
Ne laissez jamais un enfant toucher à la vitre ou à toutes autres parties du foyer

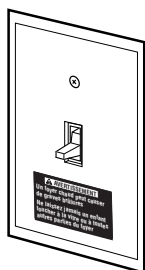


Figure A

⚠ ADVERTENCIA

La chimenea caliente causará quemaduras graves
Nunca permita que los niños toquen el vidrio ni otras partes de la chimenea



Figure B

⚠ WARNING

Hot Fireplace Will Cause Severe Burns
Never Allow Children to Touch Glass or other Fireplace Parts



Figure C

NOTE: DIAGRAMS AND ILLUSTRATIONS ARE NOT TO SCALE

OPERATING INSTRUCTIONS

Pre-Lighting Checklist

Be sure to check these items before the initial lighting of the insert:

- _____ **The insert gas label corresponds to the gas supply available - that is "natural gas" for natural gas or "LP gas" for LP gas.**
- _____ **Gas pressure has been checked carefully.**
- _____ **All gas fittings have been checked for leaks.**
- _____ **All clearances to combustibles have been met.**
- _____ **All combustible materials have been removed from the area in front of the insert.**
- _____ **All vented areas of the insert face are unobstructed.**
- _____ **House is ventilated to clear initial curing odor.**
- _____ **All packaging materials have been removed from the fire-box.**
- _____ **While insert is cool, fingerprints or other marks should be cleaned from any surfaces with a soft cloth. Marks left on these surfaces may become etched into the finish if not removed prior to burning the unit.**
- _____ **Brick panels and log set have been installed.**
- _____ **The glass door is in place and is properly sealed.**








CAUTION

Your Shoreline™ gas appliance must always be operated with glass door in place.

Lighting Instructions

STOP! Read the safety information on the front cover of the manual before proceeding.

1. Open the right side access door. Ensure the gas supply shut-off cocks are open and ON/OFF Rocker Switch is "OFF". If equipped with a thermostat, set it to the lowest setting.
2. Turn off all electrical power to the appliance.
3. Push in the gas control knob slightly and turn clockwise  to "OFF".
NOTE: The knob cannot be turned from "PILOT" to "OFF" unless the knob is pushed in slightly. Do not force.
4. Wait five (5) minutes to clear out any gas. If you smell gas, STOP! Follow instructions on the front cover of this manual. If you do not smell gas continue.
5. Locate the pilot assembly by looking at the rear center of the burner, behind the large center log. A blue flame will be seen when the pilot is lit.
6. Turn the gas control knob counterclockwise  to the "PILOT" position.
7. Push the knob all the way in and hold in that position. Immediately light the pilot by pressing the igniter button several times until pilot is lit. Continue to hold the knob in for about 30 seconds after the pilot is lit. Release knob and it will pop back out. Pilot should remain lit. If it goes out, repeat steps 4-8 holding knob in an additional 15 seconds after pilot is lit.
 - If knob does not pop out when released, stop and immediately call your service technician or gas supplier.
 - If the pilot will not stay lit after several tries, turn the gas control knob to "OFF" and call your service technician or your gas supplier.
8. After pilot is lit, turn gas control counterclockwise  to "ON". Knob can only be turned "ON" if the knob has popped out.
9. To turn burner on, turn "ON/OFF" rocker switch to "ON" or set the thermostat to the desired temperature above room temperature.
10. Adjust the flame height (and heat output) by turning the flame height knob clockwise  for reduced flame  and counterclockwise for full flame.
11. Set the blower to the desired air flow after it turns on when the appliance reaches operating temperature.

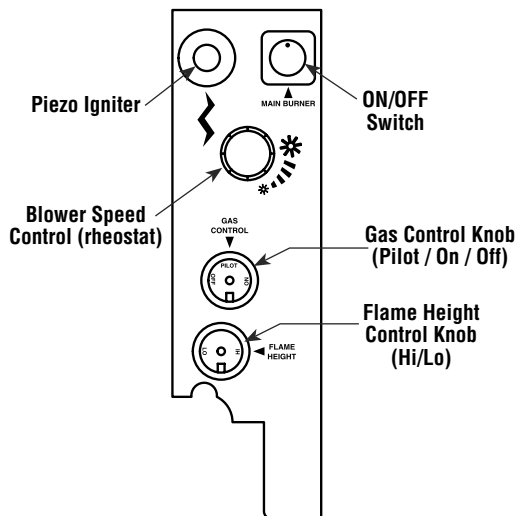


Figure 31 - Gas Controls

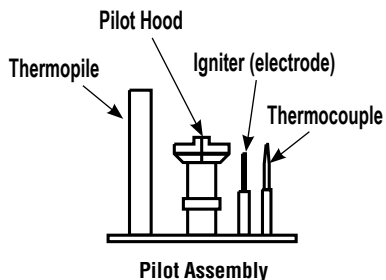



Figure 32 - Pilot Assembly

To Turn Off Gas To Appliance

1. Turn off the "ON/OFF" rocker switch and/or thermostat (if installed).
2. Turn off electric power to the appliance if service is to be performed.
3. Turn gas control knob clockwise  to "OFF". Do not force.

This appliance needs fresh air for safe operation and must be installed so there are provisions for adequate combustion and ventilation air. See Installation and Operation Manual accompanying appliance.

Operation of this appliance when not connected to a properly installed and maintained venting system can result in carbon monoxide (CO) poisoning and possible death.

Shutdown Procedure

1. To turn off the burner, switch the rocker switch to "OFF" or adjust the thermostat to a setting below room temperature (if installed). The pilot will remain lit for future burner ignition.

For complete shutdown: See "To Turn Off Gas To Appliance" above.

WARNINGS

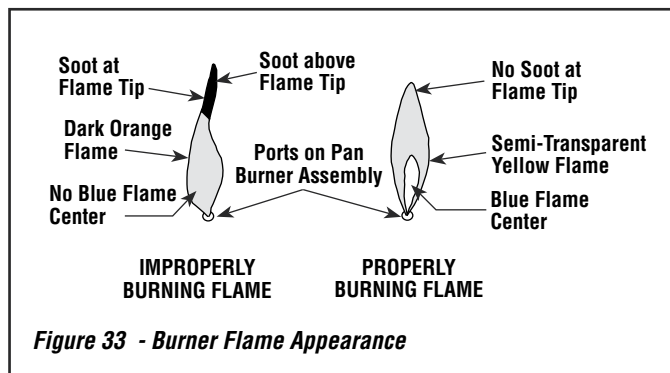
- **Improper installation, adjustment, alteration, service or maintenance can cause injury or property damage. For assistance or additional information, consult a qualified installer, service agency or your gas supplier.**
- **Operation of this appliance when not connected to a properly installed and maintained venting system can result in carbon monoxide (CO) poisoning and possible death.**
- **Carbon monoxide poisoning – early signs of carbon monoxide poisoning resemble the flu with headaches, dizziness, or nausea. If you have these signs, get fresh air at once! Have the heater inspected by a qualified service technician. Some people are more affected by carbon monoxide than others. These include pregnant women, people with heart or lung disease or anemia, those under the influence of alcohol, and those at high altitudes.**

Flame Appearance and Sooting

Your Shoreline™ fireplace insert is designed for maximum heating efficiency. Therefore, upon lighting of the main burner the flames will be semi-transparent or “bluish.” After 10-20 minutes of operation the logs will heat up and the flames will become a yellow/orange color. If after 20 minutes the flame stays lowered blue, or if the flame is orange with evidence of sooting (black tip), the air shutter may require adjustment.

Adjusting the insert to cause the flames to turn orange sooner may result in poor combustion, sooting, and a hazardous situation. See **Figures 33 and 34** showing proper flame appearance.

Sooting is indicated by black puffs developing at the tips of very long orange flames. Sooting results in black deposits forming on the logs, appliance inside surfaces and on exterior surfaces adjacent to the vent termination. Sooting is caused by incomplete combustion in the flames and lack of combustion air entering the air shutter opening. To achieve a warm yellow to orange flame that does not soot, the shutter opening must be adjusted between these two extremes.

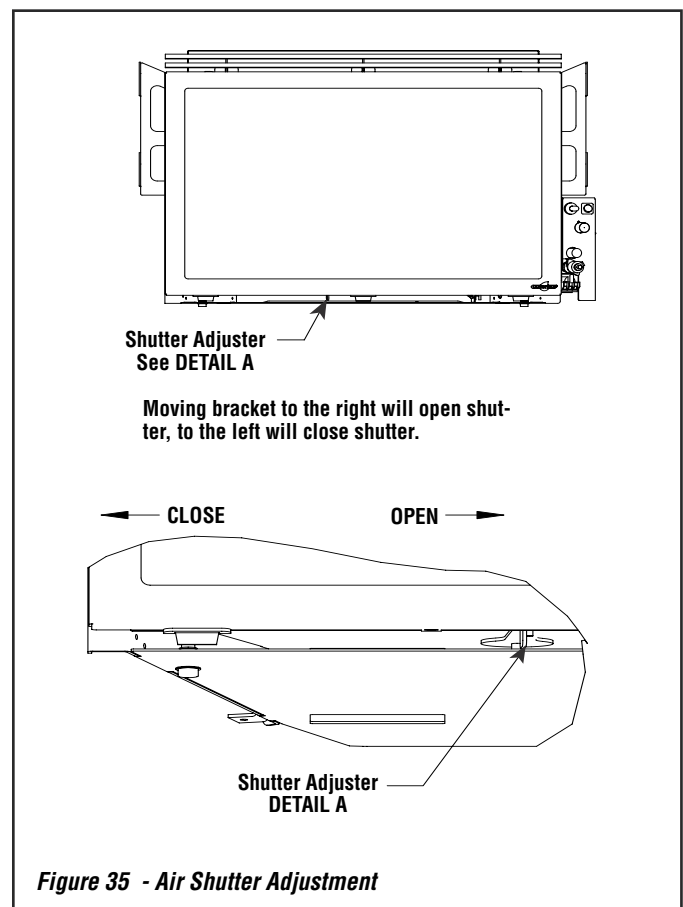


Air Shutter Adjustment

The Shoreline has an air shutter control lever located below the front door, left of the center point of the gas insert. The lever is linked to the primary air shutter on the main burner. The air shutter regulates the amount of primary air the burner receives and therefore how clean the insert burns. The air shutter should only be adjusted by a qualified gas technician. The insert should burn for about 15 minutes with the logs installed before adjusting the air shutter. More air will result in shorter flames and less color, less air will result in bigger flames and more color. To adjust the air shutter, move the slide adjustment from side to side (see **Figure 35**). Moving the air shutter lever to the right opens the air shutter (more air). Moving the air shutter lever to the left closes the air shutter (less primary air).

⚠ CAUTIONS

- Carbon will be produced if the air shutter is closed too much. Any damage due to carboning resulting from improperly setting the air shutter is not covered under the warranty.
- The air shutter control arm and nearby appliance surfaces are hot. Exercise caution to avoid injury while adjusting flame appearance.
- The air shutter should never be set so as to make the tips of the flames sooty or create sooting on the viewing glass, logs, or heat exchanger. If soot begins to form after burning, the air shutter should be opened gradually until the sooting condition stops. Gas quality and gas pressure may vary, which can affect the burning characteristics of the insert.



Burn-In Period

This Shoreline™ insert has been painted with a high temperature metallic black stove paint. It leaves the factory dry to the touch, but finishes curing as the fireplace insert is used. Fire the fireplace insert four successive times for ten minutes each time with a five minute cool down between each firing to cure the paint and burn off lubricants used in the manufacturing process. Ventilate the house during these first firings as the paint gives off an unpleasant odor. It is recommended that persons sensitive to an imbalance in the indoor air quality avoid the area where the fireplace insert is located during the curing process. **Do not turn on blower during Burn-In period.**

IMPORTANT

Keep your house well ventilated during the curing process. The odor and haze emitted by the curing process can be quite noticeable and may set off a smoke detector.

Quiet Operation

As the Shoreline is burning, a number of normal operational sounds may be heard. The flow of gas through the gas valve and orifice may make a rushing or whistling noise. If this noise is objectionable, it can be reduced by turning down the flame. Turning down the flame can reduce total heat output by more than 30%. When the blower turns on, the sound of rushing air may be heard. The blower sounds may be reduced by adjusting the speed control rheostat (see **Figure 31**). Also, a slight clicking sound may be heard as the gas valve or blower switch turn on and off.

Electrical Requirements

This gas insert operates without an outside power source, however the blower requires a 120-Volt electrical service outlet. This appliance, when installed, must be electrically grounded in accordance with local codes, or in the absence of local codes, the National Electrical Code ANSI/NFPA 70 - latest edition. In Canada, the current CSA C22-1 Canadian Electrical Code - latest edition. (**See Shoreline Main Burner Operation** for thermostat and ON/OFF switch information).

WARNING

The power cord must be plugged directly into a properly grounded, 120 Volt, 60 Hz, 3-prong receptacle electrical outlet. Do not cut or remove the grounding prong from this plug. It must be routed to avoid contact. Do not route power cord under or in front of appliance.

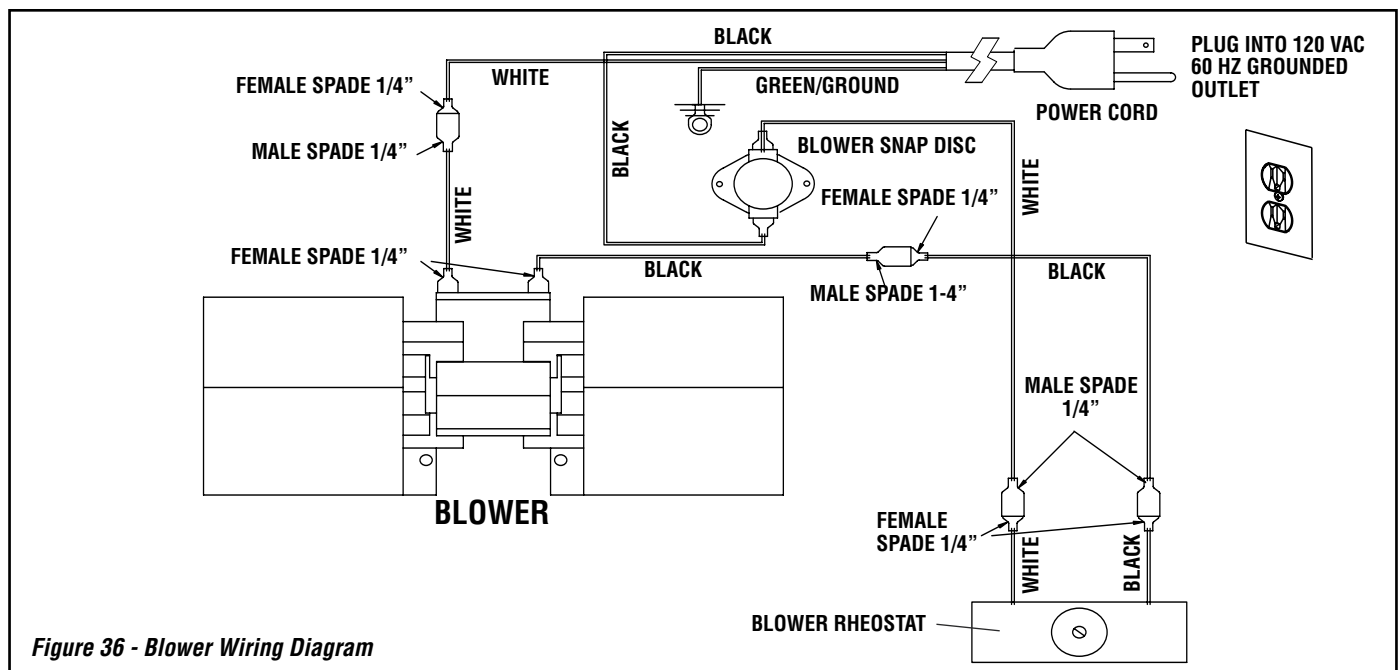
CAUTION: Label all wires prior to disconnection when servicing controls. Wiring errors can cause improper and dangerous operation.

ATTENTION: Au moment de l'entretien des commandes, étiquetez tous les fils avant de les débrancher. Des erreurs de câblage peuvent entraîner un fonctionnement inadéquat et dangereux.

Blower Operation

Your Shoreline gas insert comes equipped with a 150 CFM blower with a variable speed control and an automatic temperature activated On/Off snap switch.

1. Plug the blower power cord into a grounded (three-prong) outlet. Read Warning above.
2. After the fireplace insert warms up, the blower will turn on if the speed control (located at the right below the firebox) is left in the "ON" position. The blower will not operate until the fireplace insert is warm.
3. Once the blower turns on, turn the knob to the desired speed. No further adjustment is necessary.
4. If you do not wish to have the blower on, turn the knob counterclockwise until it clicks into the "OFF" position.



NOTE: DIAGRAMS AND ILLUSTRATIONS ARE NOT TO SCALE

Shoreline™ Main Burner Operation

Your Shoreline fireplace insert comes with an "ON/OFF" rocker switch used to turn the burner on and off while the pilot is on. The rocker switch is located in the control panel above the blower rheostat switch and to the left of the igniter. This is all located behind the right side surround.

A wall-mounted switch, a millivolt wall thermostat, or a remote control, can be used to supplement the rocker switch. The gas valve is powered by millivolts generated by the pilot assembly. This millivolt system is very sensitive to electrical resistance, therefore, make sure all connections are tight, clean, and free from corrosion. Do not splice any millivolt wires. Consult **Table 12** to determine the proper gage of wire for the thermostat or wall switch connections. This chart refers to the total length of the wire (out to the switch and back). The thermostat must be a millivolt type. A 24-volt furnace thermostat will not work. Never hook up household current - 120 Volts - to the millivolt system. It is not recommended to hook up any more than two switches to the fireplace insert (for example a rocker switch and a wall thermostat). Additional switches may affect the system resistance and increase the chance of the burner not igniting. Follow the instructions included with the thermostat or remote control for wiring.

The thermostat, remote control, and rocker switch will turn the burner on and off independently. Be sure to set the rocker switch to the "OFF" position when using the thermostat or remote control and set the thermostat or remote control to the lowest temperature when you wish to use the rocker switch only, otherwise one may override the other. If a remote thermostat is to be used with the insert, do not place the receiver under the firebox.

Care should be taken to ensure any installed wires from thermostat do not come in contact with the hot surfaces of the firebox.

IMPORTANT NOTE: If a wall thermostat is to be installed, install the thermostat per the manufacturers instructions, provided with the thermostat. Failure to follow manufacturers instructions could result in a malfunction. Pay special attention to the thermostat location requirements. If the location requirements are not adhered to the appliance, erratic operation or failure may occur. Do not mount the thermostat where it may be affected by:

- Radiant heat from the stove, fireplaces, sun or other heat sources.
- Drafts or dead spots behind doors or in corners.
- Hot or cold air from ducts.

CAUTION: Label all wires prior to disconnection when servicing controls. Wiring errors can cause improper and dangerous operation.

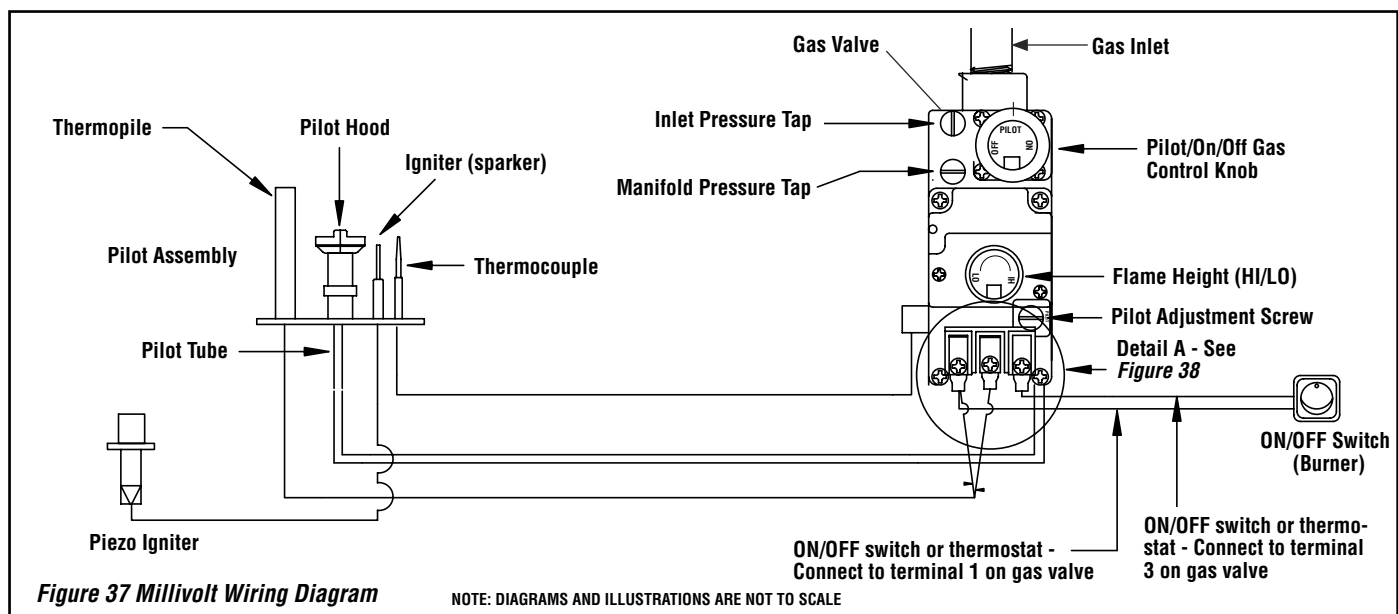
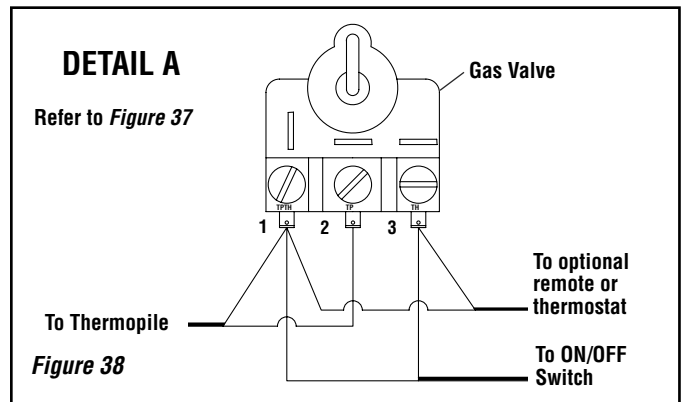
ATTENTION: Au moment de l'entretien des commandes, étiquetez tous les fils avant de les débrancher. Des erreurs de câblage peuvent entraîner un fonctionnement inadéquat et dangereux.

| Thermostat Wire | |
|-----------------|----------------|
| Wire Size | Maximum Length |
| 12 Gage | 100 Feet |
| 14 Gage | 64 Feet |
| 16 Gage | 40 Feet |
| 18 Gage | 25 Feet |
| 20 Gage | 16 Feet |

Table 12

Millivolt Control System

This Shoreline fireplace insert operates on a millivolt control system. As such, no additional power supply is needed for the Shoreline insert to heat. The pilot assembly contains a thermocouple, that when heated by the pilot flame, generates electricity (millivolts- mV=1/1000 of a volt) which opens a valve allowing gas to flow to the pilot assembly. The pilot assembly also contains a thermopile, that when heated by the pilot flame, generates electricity that flows to terminal #1 (labeled TH/TP) on the gas valve. When the electricity is conducted from terminal #1 through the on/off switch, thermostat, or receiver of the remote control to terminal #3 (labeled TH) on the gas valve, the main burner will ignite. See **Figures 37 and 38**.



MAINTENANCE AND SERVICING

WARNING

Turn off gas and electrical power to the fireplace and allow it to cool before cleaning or servicing the appliance.

CAUTION: Wear gloves and safety glasses for protection while doing required maintenance.

Verify proper operation after servicing.

S'assurer que l'appareil fonctionne adéquatement une fois l'entretien terminé.

Maintenance Checklist

The following should only be performed by a qualified service technician.

1. Annual inspection should be made and the following checks performed:

- When unit is cool, remove glass and inspect burner for dirt, soot, and lint accumulations, and remove if necessary. If excessive soot accumulation is present on burner, have a qualified service technician adjust the burner for proper combustion.
- Clean inside of glass with gas fireplace glass cleaner. NEVER attempt to remove or clean the glass when the unit is hot.
- Check the hot air outlet vents for lint or other accumulations. Never block or restrict vent openings, obstruct flow of ventilation air, or use vents other than Lennox Hearth Products products.
- Check that the chimney and its outlet are open and free of soot, blockage, or debris.
- Check gaskets once a year. Gaskets must be tight. Replace if necessary.
- Inspect the pilot system for proper flame (see **Figure 39**). NEVER ADJUST THE PILOT until after the gas pressure has been checked and the supply lines have been completely bled (this may take an hour or more when bleeding through the pilot). All pilots are checked and burned at the factory prior to shipment. The pilot adjustment screw is located below the ON/OFF/PILOT control knob. Remove the pilot adjusting cover with a flat-bladed screwdriver to access the pilot adjusting screw. Adjust the pilot screw to properly size the flames. The flames should directly contact the thermopile and extend across the main burner ports. Be careful not to back the screw out of its threads. Replace the cover and check for gas leaks using a gas leak test solution.
- Check that the area around the insert is kept clear and is free of combustible materials, gasoline, and other flammable vapors and liquids.
- Check the millivolt system as per **Table 13**.

2. The viewing glass should be cleaned periodically (see Glass Maintenance).

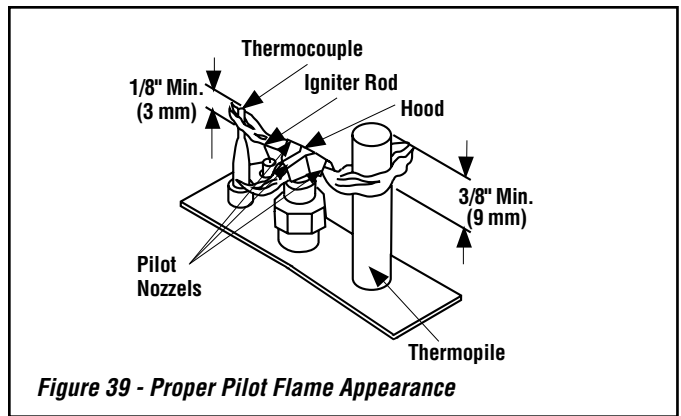


Figure 39 - Proper Pilot Flame Appearance

| Check Test | To Test | Connect Meter Leads to Terminals | Thermostat Connects | Meter Reading Should Be |
|------------|-------------------|----------------------------------|---------------------|-------------------------|
| A | Complete System | 2 & 3 | Closed | 100 MV or More |
| B | Thermopile Output | 1 & 2 | Open | Greater Than 325 MV |
| C | System Resistance | 2 & 3 | Closed | 2.5 Ohms |

Table 13

Blower Removal

CAUTION: Label all wires prior to disconnection when servicing controls. Wiring errors can cause improper and dangerous operation.

IMPORTANT: Verify proper operation after servicing (see the blower wiring diagram in **Figure 36** on **Page 24**).

1. Unplug the power supply cord from the electrical outlet prior to removing the blower. The blower can be accessed through the back wall of the firebox.
2. Remove the insert face, glass door, log set, and brick panels. All of these items are fragile so handle them with care.
3. Next, remove the nine allen head screws around the outside of the panel fastened to the back wall of the firebox.
4. Rotate the top of this panel toward the front, remove the two wires connected to the blower, and then lift the panel with the blower attached out of the firebox.

To reinstall the blower, repeat these steps in the reverse order.

Glass Door

WARNING

- Do not attempt to substitute the materials used on these doors, or replace cracked or broken glass.
- Handle this glass with extreme care! Glass is susceptible to damage – Do not scratch or handle roughly while reinstalling the glass door frame.
- The glass door(s) of this appliance must only be replaced as a complete unit as provided by the manufacturer. Do not attempt to replace broken, cracked or chipped glass separately.
- Do not attempt to touch the front enclosure glass with your hands while the appliance is in use.

WARNING

Do not operate appliance with the glass front removed, cracked or broken.

AVERTISSEMENT

Ne pas utiliser l'appareil si le panneau frontal en verre n'est pas en place, est craqué ou brisé.

Only doors certified with the appliance shall be used.

Seules des portes certifiées pour cet appareil doivent être utilisées.

CAUTION: DO NOT abuse glass door by striking or slamming shut.

Do not remove glass door while the appliance is hot.

NOTE: BE CAREFUL NOT TO SPRAY COMMERCIAL GLASS CLEANER WITH AMMONIA ON GASKET AREA OF DOOR. AMMONIA WILL DISSOLVE GASKET GLUE.

NOTE: GOLD PLATED SURFACE MUST BE CLEANED WITH GLASS CLEANER AND SOFT RAG BEFORE FIRING THE FIRST TIME OR FINGER PRINTS AND STAINS WILL REMAIN PERMANENTLY. NEVER USE BRASS POLISH TO CLEAN GOLD, THIS WILL REMOVE GOLD PLATING!

Glass Door Removal

Do not remove the glass door while the insert is hot. To remove the glass door, pull forward and up on the top latches. Lift the glass door up and off the lower spring latch. Be careful not to damage or scratch the glass while handling. To reinstall the glass, reverse the removal steps. Do not operate the insert with the glass removed.

Glass Maintenance

Cleaning: Note: Clean glass after first two weeks of operation (after Burn-In period is over).

The viewing glass should be cleaned periodically to remove any build-ups caused from the following:

- During start-up, it is normal for condensation to form on the inside of the glass (this condensation and fog will usually disappear in a few minutes). This can cause lint, dust and other airborne particles to cling to the glass surface.
- Initial curing of the high temperature paint and burning off of lubricants used in the manufacturing process may result in a film on the glass.
- A white coating may form on the glass as a result of impurities and minerals in the fuel.

It is recommended that the glass be cleaned two or three times during each heating season, depending on the circumstances present.

Use one of the following to clean glass:

- Non-ammonia based household cleaner
- 50%-50% mix of white vinegar and water
- gas stove glass cleaner

Replacement: The glass in the appliance door cannot be replaced separately. Should the glass be damaged, the entire glass, gasket, and metal frame assembly must be replaced as a unit. This replacement glass assembly is available from your Lennox Hearth Products dealer. The glass is neo-ceramic and alternative types must not be used.

Small Area Paint Touch-up

The finish of the insert body and surround is a high-temperature stove paint. Only use factory supplied high-temperature paint for touch-ups, cat. no. 70K99.

Do not attempt to repaint the insert until the finish is completely cured (see **Burn-In Period** on **Page 24**). If the surface later becomes stained or marred, it may be lightly sanded and touched up with spray paint.

Paint is available at your local authorized Lennox Hearth Products dealer. Never attempt to paint a hot insert.

Inspect Wiring

Inspect and clean all wire connections. Ensure that there is no melting or damage. Inspection should include:

- Terminals at the valve
- On/Off switch
- Wall thermostat, remote control, or wall switch kit (optional parts)

Refer to wiring diagrams on **Pages 24 and 25**.

Fuel and BTU Conversion

Converting your Shoreline™ gas insert between natural gas (40,000-33,000 BTU's) and LP (37,500-33,000 BTU's) can be accomplished by installing a conversion kit (valve regulator just for fuel conversion and burner orifice). Only a qualified service technician should perform the conversion.

Fuel Conversion Kits

Please see instructions provided with conversion kit. See **Page 36** for ordering information.

MAINTENANCE SCHEDULE

ANNUALLY (Before the onset of the Burning Season)

| MAINTENANCE TASK | ACCOMPLISHING PERSON | PROCEDURE |
|---|--|--|
| Inspecting/Cleaning Burner, Logs and Controls | Qualified Service Technician | Inspect valve and ensure it is properly operating. Check piping for leaks. Vacuum the control compartment, fireplace logs and burner area. |
| Check Flame Patterns and Flame Height | Qualified Service Technician | Refer to Figures 33 and 34 on Page 23 and verify the flame pattern and height displayed by the appliance conforms to the picture. Flames must not impinge on the logs. |
| Inspecting/Cleaning Pilot | Qualified Service Technician | Refer to Figure 39 on Page 26 . Remove any surface build-up on pilot assembly. Wipe the pilot nozzles, igniter electrode and hood. Ensure the pilot flame engulfs the thermopile and thermocouple as shown. |
| Checking Vent System | Qualified Service Technician | Inspect the vent system at the top and at the base (within the firebox) for signs of blockage or obstruction. Look for any signs of dislocation of the vent components. |
| Appliance Checkout | Qualified Service Technician | Perform the appropriate appliance checkout procedure detailed in this manual. |
| Replacing Rockwool Ember Materials | Homeowner/Qualified Service Technician | Remove old ember materials and vacuum the ember (rockwool) placement area. Place new rockwool as described on Page 16 . |

PERIODICALLY (After the Burning Season)

| MAINTENANCE TASK | ACCOMPLISHING PERSON | PROCEDURE |
|---------------------------------------|----------------------|--|
| Cleaning Firebox Interior | Homeowner | Carefully remove logs, rockwool and lava rock. Vacuum out interior of the firebox. Clean firebox walls and log grate. Replace logs, rockwool and lava rock as detailed in this manual. |
| Check Flame Patterns and Flame Height | Homeowner | Refer to Figures 33 and 34 on Page 23 and verify the flame pattern and height displayed by the appliance conforms to the picture. Flames must not impinge on the logs. |
| Checking Vent System | Homeowner | Inspect the vent system at the top and at the base (within the firebox) for signs of blockage or obstruction. Look for any signs of dislocation of the vent components. |
| Cleaning Front Door Window | Homeowner | Clean as necessary following the directions provided in this manual. DO NOT TOUCH OR ATTEMPT TO CLEAN GLASS WHILE HOT. |

TROUBLESHOOTING

NOTE: When troubleshooting the gas control system, be sure the external gas shut off valve, located at the gas supply inlet is in the “ON” position.
IMPORTANT: Call your gas supplier or plumber for additional help with any gas control problem. Valve system troubleshooting should only be accomplished by a qualified service technician.

| SYMPTOM | PROBABLE CAUSE | CORRECTIVE ACTION |
|--|---|---|
| Thin black coating (soot) forms on the viewing glass, logs, or firebox | <p>Improper log or ember placement</p> <p>Improper air shutter setting</p> <p>Not enough combustion air</p> | <p>See Brick Panel and Log Set Installation on Pages 14 through 16. If there is soot in one specific location, the rockwool below this location needs to be adjusted. This can be done by pulling embers forward slightly. If the flames have soot tails, the shutter will need to be opened.</p> <p>If sooting continues open air shutter (see Air Shutter Adjustment on Page 23)</p> <p>Check for debris obstructing air flow in valve compartment under insert or in front of lower venting.</p> |
| Humming or whistling coming from insert. | <p>Normal operating noise</p> <p>Obstructed orifice opening</p> | <p>See Quiet Operation on Page 24. The noise may be reduced by slightly turning down the flame. Turning the flame down will reduce the heat output of the insert.</p> <p>If noise is excessive or is “whistling” have your gas supplier check the regulator and orifices and replace if necessary.</p> |
| A change in flame appearance or burner operation. | <p>A change in gas pressure</p> <p>Improper ember placement</p> | <p>Have your gas supplier check for correct gas pressure (7" W.C. / po. C.E. [1.74 kPa] natural gas; 11" W.C. / po. C.E. [2.74 kPa] LP gas). NOTE: NEVER BLOCK OR OBSTRUCT AIR INTAKE OR OUTLET VENTS.</p> <p>See Brick Panel and Log Set Installation on Pages 14 through 16.</p> |
| Spark igniter will not light pilot after repeated tries. | <p>No gas supplied to unit or air in line</p> <p>Defective igniter (no spark at electrode)</p> <p>Defective or misaligned electrode at pilot (spark at electrode)</p> | <p>Check gas supply. To purge, hold in gas cock on valve for 1-2 minutes and try again.</p> <p>Check for spark at electrode and pilot, if no spark and electrode wire is properly connected, replace igniter and igniter wire.</p> <p>Using a match, light pilot. If pilot lights, turn off pilot and trigger the igniter again. If pilot lights, an intermittent gas/air supply may be the problem, if longer purge will not light - check gap between electrode and pilot - should be 1/8 inch (3 mm) to have a strong spark. If OK, replace pilot.</p> |
| Pilot will not stay lit after carefully following lighting instructions. | <p>Low gas inlet pressure</p> <p>Defective thermopile</p> <p>Defective automatic valve operator</p> | <p>Check inlet pressure and adjust pilot if necessary.</p> <p>Be sure wire connections from thermopile are tight at gas valve terminals and at vent safety snap switch.</p> <p>Either rocker switch or thermostat wires may be grounded. Remove wires from valve terminals. If pilot stays lit, trace switch wiring for a ground. May be grounded to insert or gas supply.</p> <p>Check open circuit millivolt output of thermopile. Reading should be greater than 325mV. Also check thermopile wire for kinks that can cause loss of mV. Replace faulty thermopile if wire is okay and reading is less than 325mV.</p> <p>Turn valve knob to “ON” and thermostat (if installed) to 90°. Millivolt meter should read greater than 100 mV. If reading is OK and burner does not turn on, replace gas valve (qualified service technician only).</p> |
| Main burner will not burn. | <p>Pilot has gone out</p> <p>Rocker switch, thermostat, or wires defective</p> <p>Thermopile may not be generating sufficient millivolts</p> | <p>See Lighting Instructions.</p> <p>Disconnect rocker switch and thermostat wires at terminals 1 and 3 on valve. Jumper across from 1 to 3 with pilot lit. If burner comes on either rocker switch, thermostat, or wiring is not functioning.</p> <p>Check thermopile with millivolt meter (see Maintenance and Servicing), recheck symptom #2.</p> |

SHORELINE™ REPLACEMENT PARTS LIST - MODELS SHR33 & SHR40

| Item # | Part/Cat. No. | Description |
|--------|---------------|------------------------------|
| 2 | H5723 | Air Intake Assembly |
| 3 | H5724 | Blower Box Assembly w/blower |
| 4 | H5725 | Flue Collar Assembly |
| 5 | H5726 | Blower Snap Switch Assembly |
| 6 | H5727 | Rear Leveling Leg Assembly |
| 7 | H5729 | Outer Bottom Assembly |
| 8 | H3140 | Burner Assembly |
| 9 | H5731 | Pilot Assembly with Shield |
| 10 | H5732 | Main Orifice - NG33 |
| 10 | H5733 | Main Orifice - NG40 |
| 10 | H5734 | Main Orifice - LP33 |
| 10 | H5735 | Main Orifice - LP40 |
| 11 | H5736 | Bulkhead Assembly |
| 12 | H5737 | Cassette Plate Assembly |
| 13 | H5738 | Valve Assembly |
| 14 | H5739 | Air shutter Assembly |
| 15 | H5740 | Cassette Assembly |
| 16 | H5741 | Louver Assembly |
| 17 | H5742 | Blower Rheostat |
| 18 | H5743 | Control panel/Valve cover |

| | | |
|----|-------|-----------------------------------|
| 19 | H5744 | On/Off Switch |
| 20 | H5745 | Piezo Igniter w/nut |
| 21 | H5746 | Door Assembly |
| 22 | H5747 | Log Set Assembly |
| 23 | H5748 | Brick Panel Brackets |
| 24 | H5749 | Surround Hanging Brackets |
| 25 | H5750 | Upper Air Deflector |
| 26 | H5751 | Blower Ducting |
| 27 | H5752 | Wire Grommets |
| 28 | H5753 | Burner Support |
| 29 | H5754 | Front Leveling leg Assembly |
| 30 | H5755 | Gasket kit |
| 31 | H5756 | Surround Hinge |
| 32 | H5757 | Ball Screw Assembly |
| 33 | H5758 | Ball Catch Assembly |
| 34 | H5759 | Surround Spacer Kit - Small |
| 35 | H5760 | Surround Spacer Kit - Large |
| 36 | H5761 | Extrusion Kit - 3 piece - Small |
| 37 | H5762 | Extrusion Kit - 3 piece - Large |
| 38 | H5763 | Extrusion Kit - 4 piece - Small |
| 39 | H5764 | Extrusion Kit - 4 piece - Large |
| 40 | H5660 | Power Cord Kit (Instr #506033-04) |

Contact an Authorized Lennox Hearth Products dealer to obtain any of these parts. Never use substitute materials. Use of non-approved parts can result in poor performance and safety hazards.

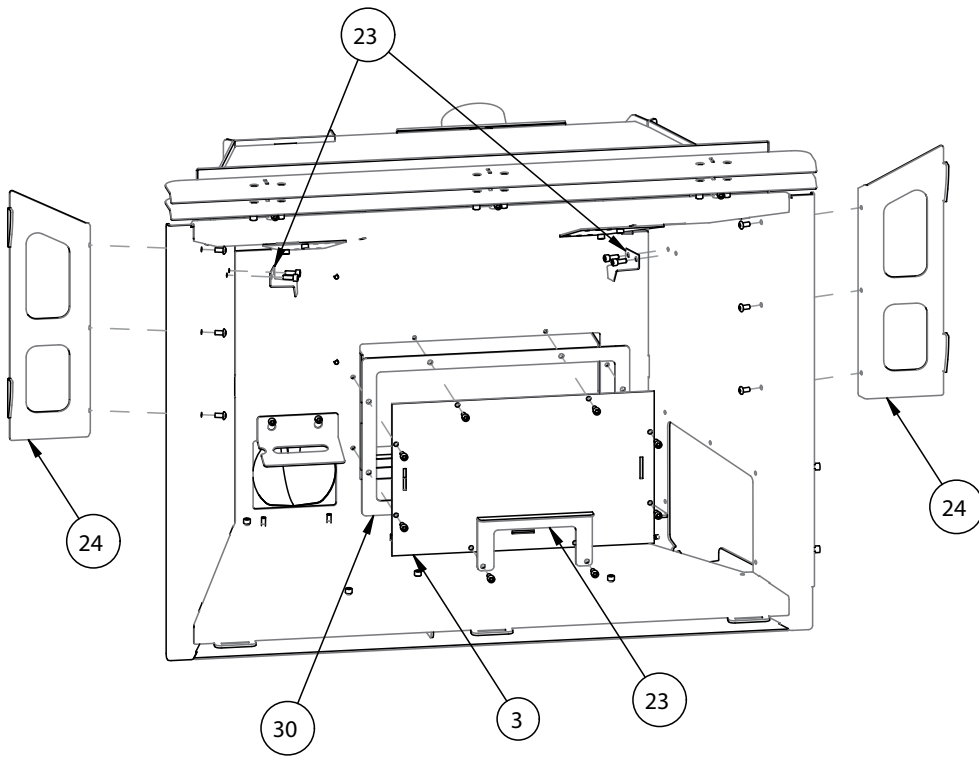
⚠ WARNING

Failure to position the parts in accordance with these diagrams or failure to use only parts specifically approved with this appliance may result in property damage or personal injury.

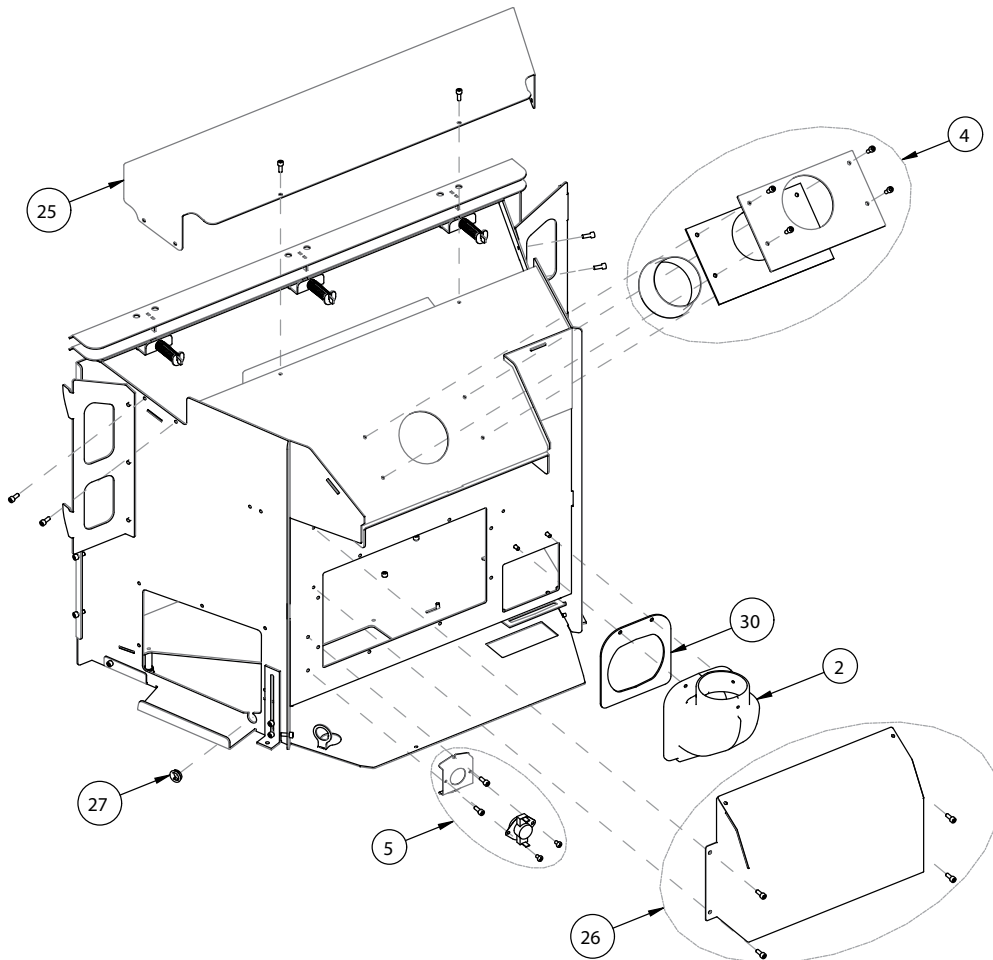
⚠ AVERTISSEMENT

Risque de dommages ou de blessures si les pièces ne sont pas installées conformément à ces schémas et ou si des pièces autres que celles spécifiquement approuvées avec cet appareil sont utilisées.

PART IDENTIFICATION

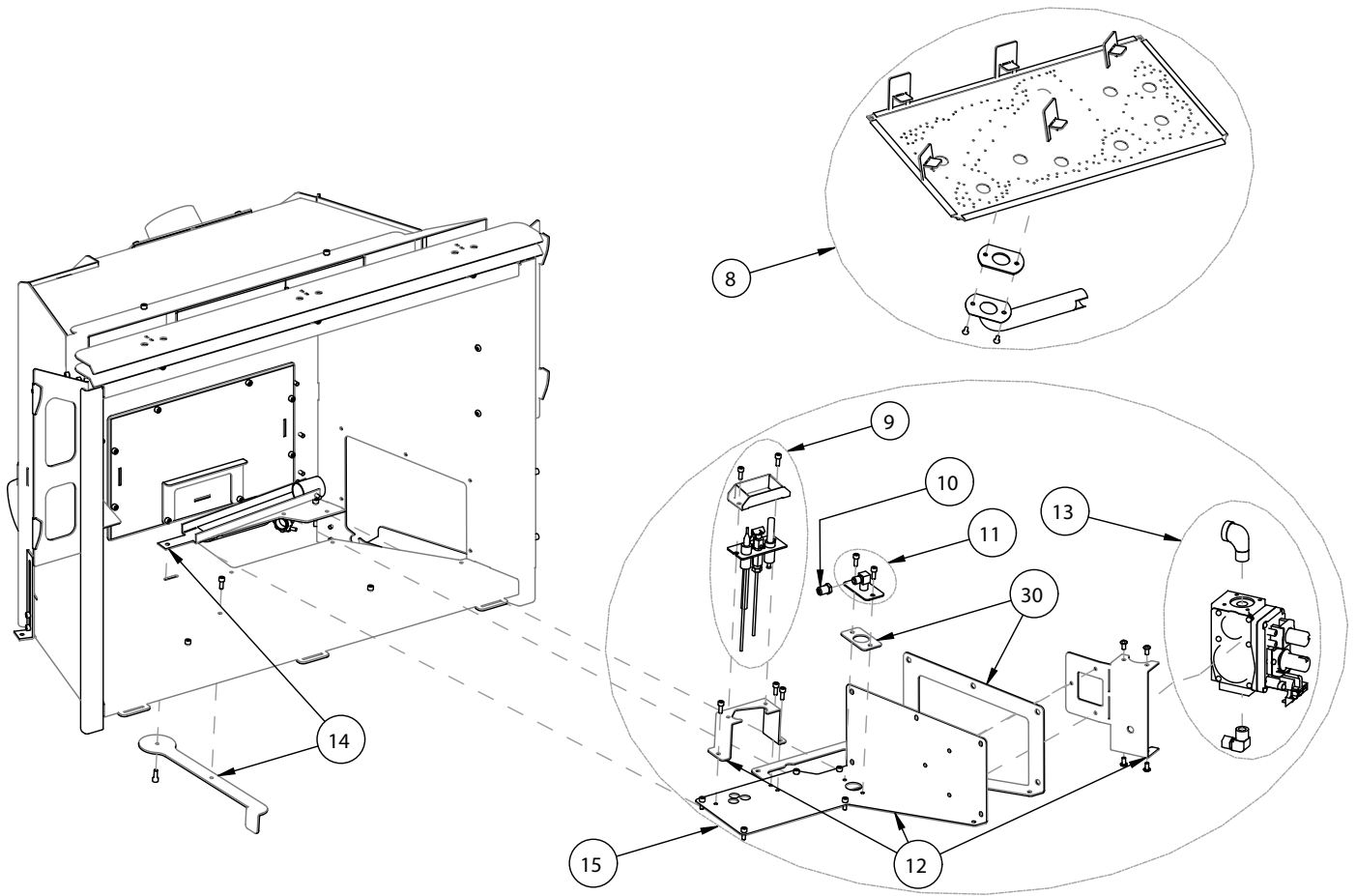


| Item # | Description |
|--------|-----------------------------|
| 2 | Air Intake Assembly |
| 3 | Blower Box Assembly |
| 4 | Flue Collar Assembly |
| 5 | Blower Snap Switch Assembly |
| 23 | Brick Panel Brackets |
| 24 | Surround Hanging Brackets |
| 25 | Upper Air Deflector |
| 26 | Blower Ducting |
| 27 | Wire Grommets |
| 30 | Gasket Kit |



NOTE: DIAGRAMS AND ILLUSTRATIONS ARE NOT TO SCALE

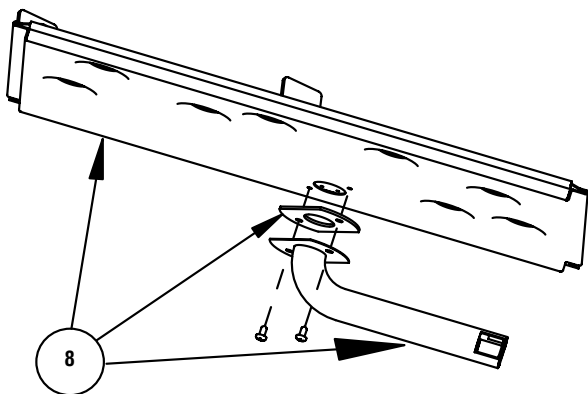
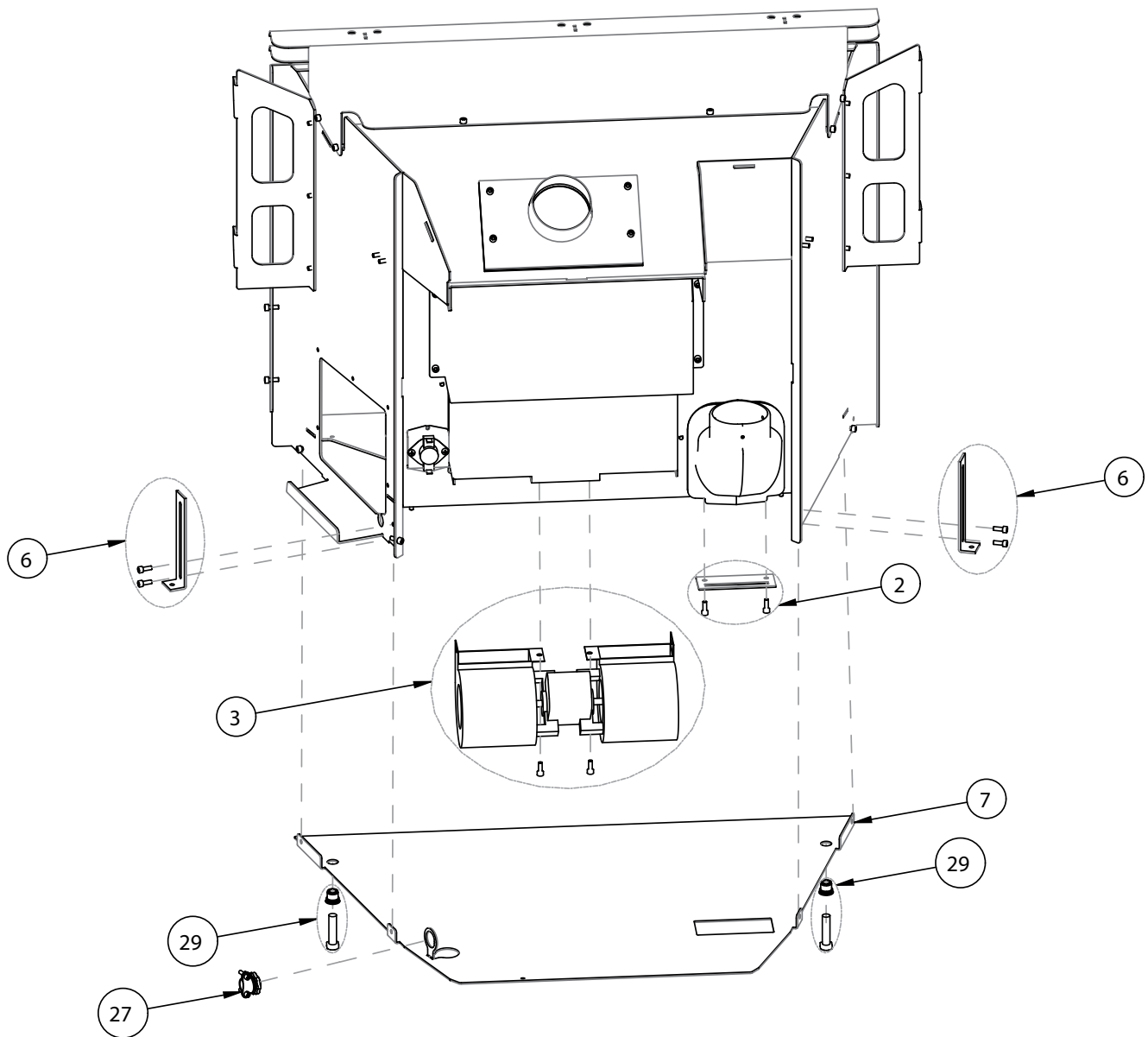
PART IDENTIFICATION



| Item # | Description |
|--------|-------------------------|
| 8 | Burner Assembly |
| 9 | Pilot Assembly w/Shield |
| 10 | Main Orifice |
| 11 | Bulkhead Assembly |
| 12 | Cassette Plate Assembly |
| 13 | Valve Assembly |
| 14 | Air Shutter Assembly |
| 15 | Cassette Assembly |
| 30 | Gasket Kit |

NOTE: DIAGRAMS AND ILLUSTRATIONS ARE NOT TO SCALE

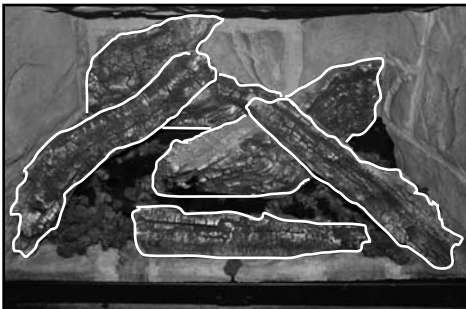
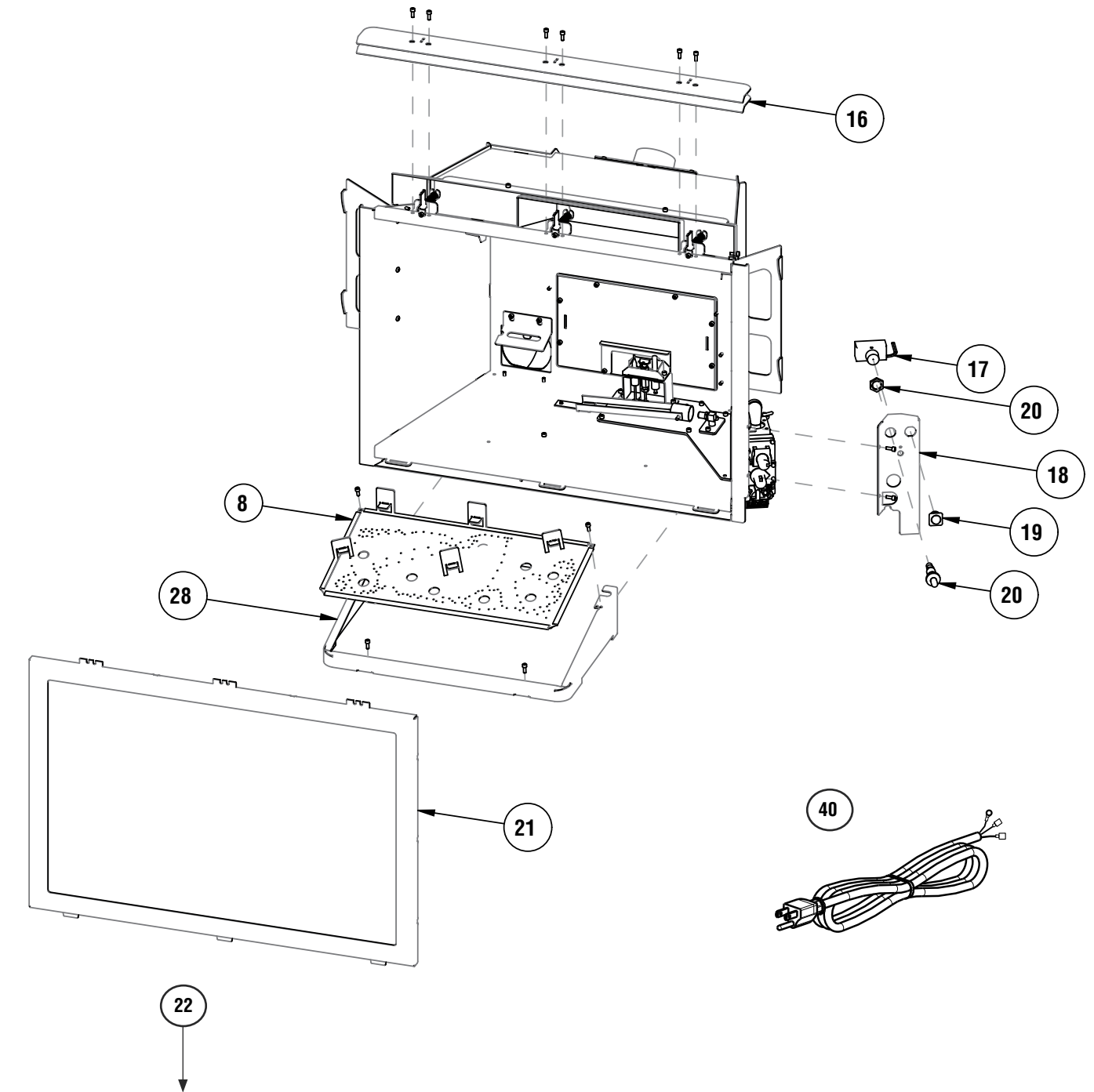
PART IDENTIFICATION



| Item # | Description |
|--------|------------------------------|
| 2 | Air Intake Assembly |
| 3 | Blower Box Assembly w/Blower |
| 6 | Rear Leveling Leg Assembly |
| 7 | Outer Bottom Assembly |
| 8 | Burner Assembly |
| 27 | Wire Grommets |
| 29 | Front Leveling Leg Assembly |

NOTE: DIAGRAMS AND ILLUSTRATIONS ARE NOT TO SCALE

PART IDENTIFICATION



Ceramic Log Set

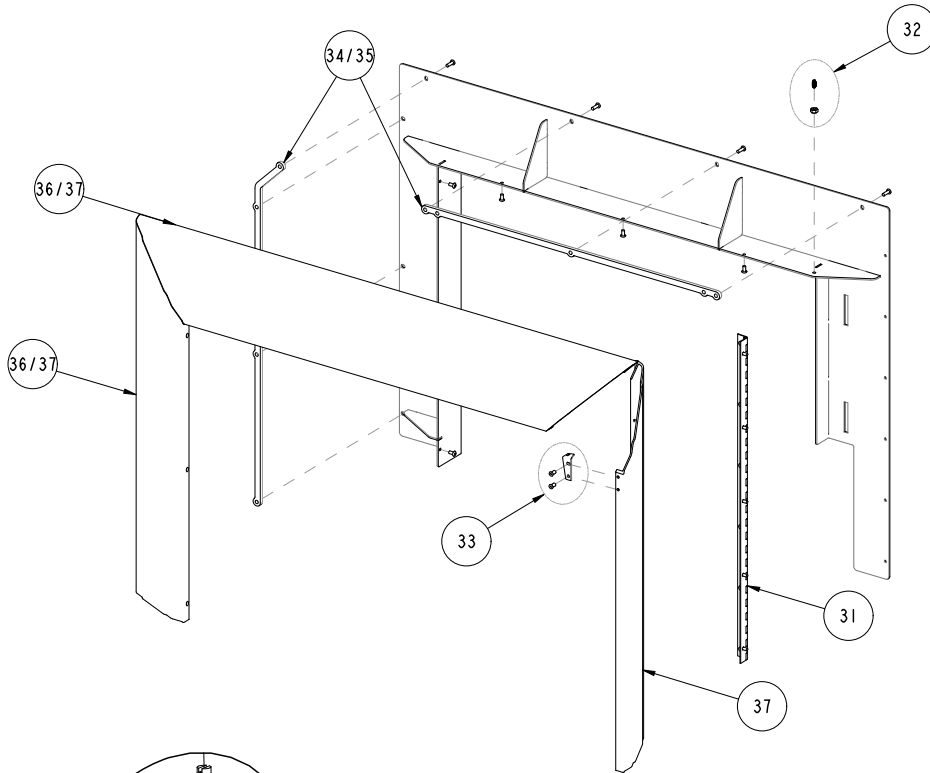
| Item # | Description |
|--------|---------------------------|
| 8 | Burner Assembly |
| 16 | Louver Assembly |
| 17 | Blower Rheostat |
| 18 | Control Panel/Valve Cover |
| 19 | On/Off Switch |

| Item # | Description |
|--------|-----------------|
| 20 | Igniter w/nut |
| 21 | Door Assembly |
| 22 | Ceramic Log Set |
| 28 | Burner Support |
| 40 | Power Cord |

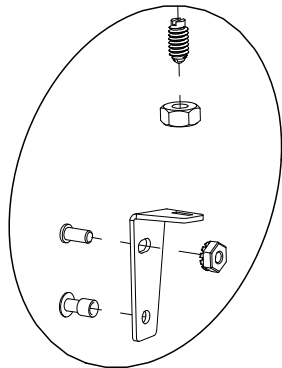
NOTE: DIAGRAMS AND ILLUSTRATIONS ARE NOT TO SCALE

PART IDENTIFICATION

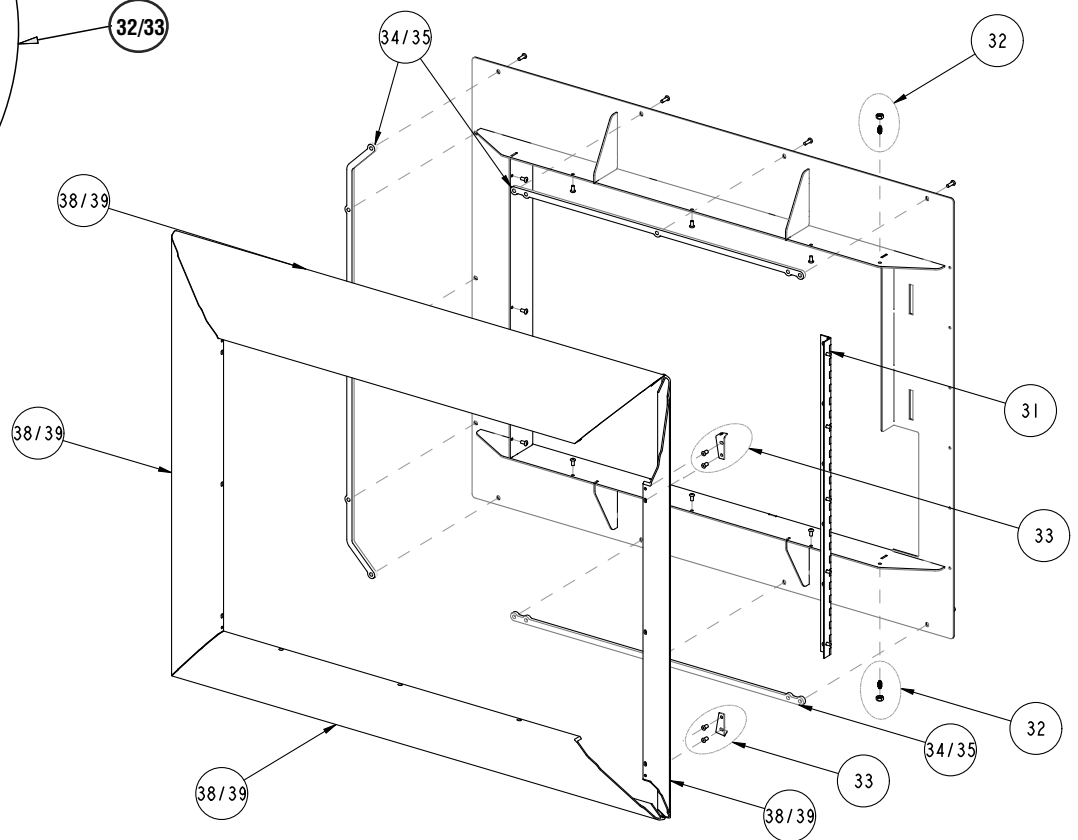
3-Piece Surround Assembly



| Item # | Description |
|--------|--------------------------------|
| 31 | Surround Flange Hinge |
| 32 | Ball Screw Assembly |
| 33 | Ball Screw Catch Assembly |
| 34 | Surround Spacer Kit - Small |
| 35 | Surround Spacer Kit - Large |
| 36 | Extrusion Kit, 3-Piece - Small |
| 37 | Extrusion Kit, 3-Piece - Large |
| 38 | Extrusion Kit, 4-Piece - Small |
| 39 | Extrusion Kit, 4-Piece - Large |



4-Piece Surround Assembly



NOTE: DIAGRAMS AND ILLUSTRATIONS ARE NOT TO SCALE

OPTIONAL ACCESSORIES

Deluxe Remote Control System

The Model RCL-T (Deluxe) Remote Control System has all of the features of the standard system along with an added easy to read LCD screen which presents access to many enhancements, including; battery power level indicator, timer, mode of operation, thermostatic display including room temperature in either metric or English units, flame indicator and clock. Fully programmable, the Model RCL-T allows for command over nearly all operational and temperature variables, using the hand held remote control transmitter.

(ref. Form # 750,129M)



| Cat. No. | Model | Description |
|----------|-------|--------------------------------|
| H0251 | RCL-T | Remote Control System (Deluxe) |

Standard Remote Control System

The Model RCL (Standard) Remote Control System, features a simple On/Off control function for the insert. This model includes a hand-held transmitter, a remote receiver with wall-mount coverplate and all hardware required to install the unit. The remote receiver can be wall or hearth mounted.

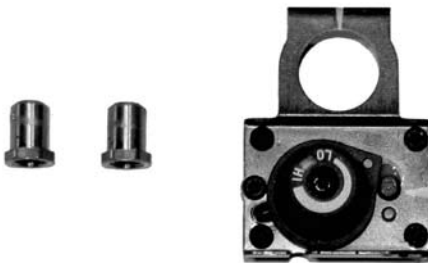
(ref. Form # 750,127M)



| Cat. No. | Model | Description |
|----------|-------|----------------------------------|
| H0249 | RCL | Remote Control System (Standard) |

Fuel Conversion Kits

Converting your Shoreline™ gas insert between natural gas (40,000-33,000 BTU's) and LP (37,500-33,000 BTU's) or vice versa can be accomplished by installing a conversion kit (valve regulator for fuel conversion and burner orifice). Only a qualified service technician should perform the conversion.



(ref. Form # 750,241M-to LP, & 750,243M-to NG)

| Cat. No. | Model | Description |
|----------|-----------------|---------------------------------------|
| 75390 | SHR-CK-NG to LP | Natural Gas to Propane Conversion Kit |
| 75393 | SHR-CK-LP to NG | Propane to Natural Gas Conversion Kit |

Wall Thermostat

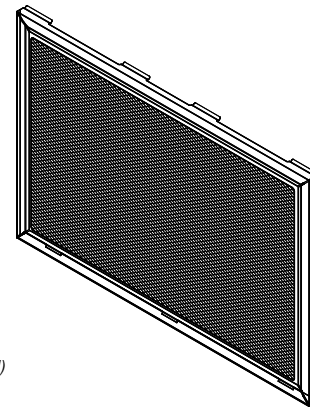
The wall thermostat kit provides temperature control for optimum comfort.



| Cat. No. | Model | Description |
|----------|-------|------------------------------|
| H4635 | DWTK | Wall Thermostat Kit, Digital |

Screen Panel Kit

This screen panel kit can be installed over the glass enclosure panel to help protect from making direct contact with the hot glass surface.



(ref. Form # 775,234M)

| Cat. No. | Model | Description |
|----------|------------|-------------------------------|
| 75392 | SHR-GS-BLK | Glass Screen Panel Kit, Black |

Touch-Up Paint Kit

Repair of minor scratches and discoloration of the appliance's black painted surfaces may be accomplished with the use of this touch-up paint kit.

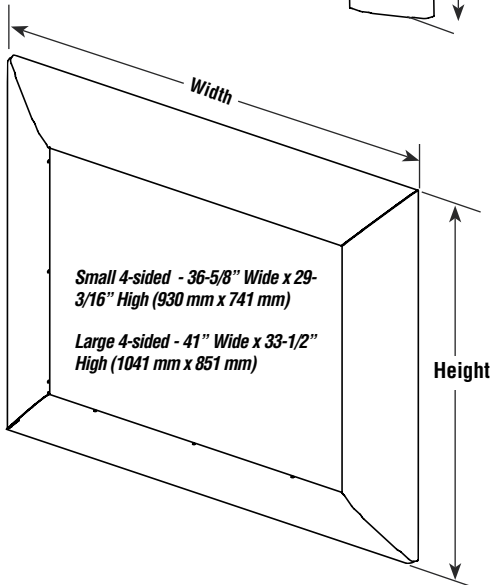
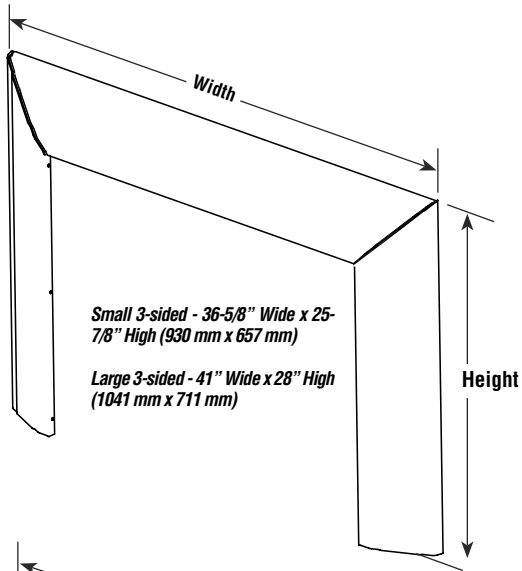


| Cat. No. | Model | Description |
|----------|--------|---------------------------|
| 70K99 | TSPK-B | Touch-Up Paint Kit, Black |

OPTIONAL ACCESSORIES

Surround Kits

These surround panels install around the insert body providing an attractive finished look. *Note: See Page 35 for additional information on surround kits*

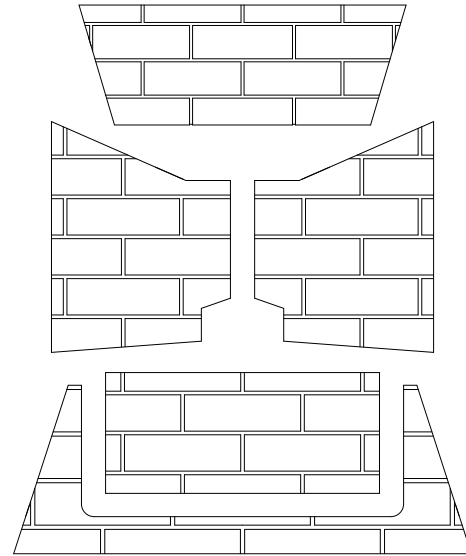


| Cat. No. | Model | Description |
|----------|--------------|-------------------------------------|
| 75385 | SHR-SP-4P-SM | Surround Panel Kits, 4 piece, Small |
| 75386 | SHR-SP-4P-LG | Surround Panel Kits, 4 piece, Large |
| 75387 | SHR-SP-3P-SM | Surround Panel Kits, 3 piece, Small |
| 75388 | SHR-SP-3P-LG | Surround Panel Kits, 3 piece, Large |

Refractory Brick Panel Set (5 pieces)

These decorative brick panels sets are offered in 3 attractive styles. One set required.

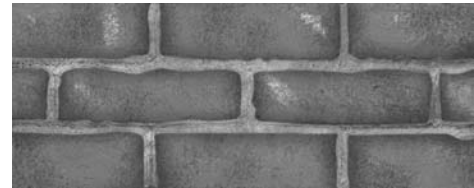
IMPORTANT NOTE: A refractory brick panel kit is required for proper operation (sold separately). Never operate this appliance without all the refractory brick panels properly installed.



Standard Brick



Red Brick



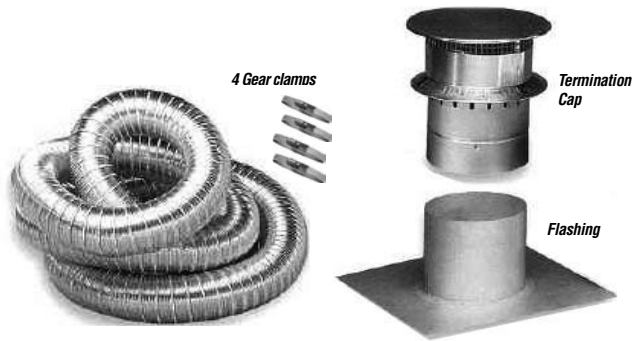
Architectural Stone



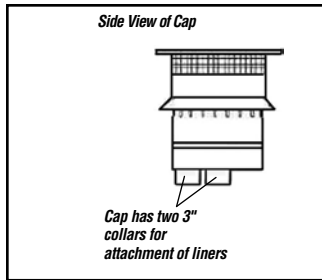
(ref. Form # 775,263M)

| Cat. No. | Model | Description |
|----------|-------------------|--|
| H7987 | SHR-BRK-STD | Brick Panel Set, Tan |
| H7988 | SHR-BRK-RED | Brick Panel Set, Red |
| H7989 | SHR-BRK-ARCHSTONE | Brick Panel Set, Architectural (shown) |

OPTIONAL ACCESSORIES



| Vent Kits | | |
|-----------|---------|--|
| Cat. No. | Model | Description |
| H0909 | FKDVI | Flex Liner Kit, DVI 3" X 35' (requires 2, one for exhaust and one for intake) |
| TKDVI | TKDVI | Termination Kit, DVI (termination cap and flashing) |
| DV3FK35 | DV3FK35 | Flex Liner and Termination Kit, 3" X 35' (includes 2 flex liners, termination and gear clamps) |



SAFETY / LISTING LABEL

Tested & Listed By  Portland Oregon USA
 OMNI-Test Laboratories, Inc.
 Report No. / Numéro de Rapport 050-F-22-5

MANUFACTURED BY / FABRIQUÉ PAR:
LENNOX
 HEARTH PRODUCTS
 PO BOX 987
 AUBURN, WA, USA 98071

MODEL / MODÈLE **SHR 40** SERIAL NO. **SHR**

FACTORY EQUIPPED FOR NATURAL GAS. IF CONTROL PANEL CONTRADICTS THIS LABEL, UNIT FUEL TYPE HAS BEEN CONVERTED. CET APPAREIL EST MUNI D'EQUIPEMENT POUR L'USAGE DU GAZ NATUREL. SI L'ÉTIQUETTE DU PANNEAU DES COMMANDES CONTRENT CETTE ÉTIQUETTE, C'EST QUE LE TYPE DE CARBURANT DE CET APPAREIL A ÉTÉ CONVERTI.

LISTED VENTED GAS FIREPLACE HEATER - FIREPLACE INSERT - NOT FOR USE WITH SOLID FUEL.
 TESTED TO ANSI Z21.88-2005/CSA 2.33-2005 "VENTED GAS FIREPLACE HEATERS", UL307b, CSA P.4.1-02, AND CGA 2.17-M91.
 THIS APPLIANCE MUST BE INSTALLED IN ACCORDANCE WITH LOCAL CODES, IF ANY. IF NOT, FOLLOW THE CURRENT ANSI Z223.1/NFPA 54-LATEST EDITION (USA) OR CAN/CSA B149.1-LATEST EDITION (CANADA). THIS APPLIANCE MUST BE INSTALLED IN ACCORDANCE WITH THE MANUFACTURER'S INSTALLATION INSTRUCTION. FOR INSTALLATION IN SOLID FUEL BURNING FIREPLACES ONLY - MASONRY OR FACTORY BUILT. THIS VENTED GAS FIREPLACE HEATER IS NOT FOR USE WITH AIR FILTERS.
 THIS APPLIANCE IS ONLY FOR USE WITH THE TYPE OF GAS INDICATED ON THE RATING PLATE AND MAY BE INSTALLED IN AN AFTERMARKET, PERMANENTLY LOCATED, MANUFACTURED (MOBILE) HOME WHERE NOT PROHIBITED BY LOCAL CODES. SEE OWNER'S MANUAL FOR DETAILS. THIS APPLIANCE IS NOT CONVERTIBLE FOR USE WITH OTHER GASES UNLESS A CERTIFIED KIT IS USED.
 DANGER: RISK OF ELECTRICAL SHOCK. DISCONNECT POWER BEFORE SERVICING UNIT.
 IF ELECTRICALLY CONNECTED, CONNECTIONS AND GROUNDING MUST BE IN ACCORDANCE WITH LOCAL CODES, IF ANY. IF NOT, FOLLOW THE CURRENT NATIONAL ELECTRICAL CODE ANSI/NFPA 70-LATEST EDITION (USA) OR CSA C22-1-LATEST EDITION (CANADA).

| RATINGS | Model SHR40 | | Model SHR33 | |
|--|---------------|---------------|---------------|---------------|
| | NATURAL GAS | LP GAS | NATURAL GAS | LP GAS |
| MAX/MIN INPUT BTUH 0-2,000 FT (0-610 M)* | 40,000/24,000 | 37,500/21,500 | 33,000/19,500 | 33,000/19,500 |
| MANIFOLD PRESSURE (IN. WC) | 3.5 | 10.0 | 3.5 | 10.0 |
| MIN. INLET PRESSURE (IN. WC) | 5.0 | 10.5 | 5.0 | 10.5 |
| ORIFICE (DMS) 0-2,000 FT (0-610 M) * | .125 | #49 | #36 | #51 |

*UNIT FACTORY EQUIPPED FOR 0-2000 FT/0-610 M, IN CANADA 0-4500 FT/0-1370 M
 ELECTRICAL RATING: 120 VAC, 60 HZ, LESS THAN 2 AMPS

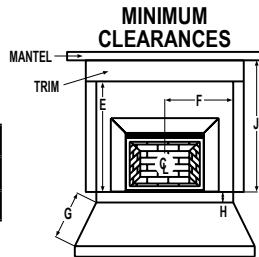
CHIMNEY - USE 3" DIAMETER SINGLEWALL OR FLEX GAS VENT CHIMNEY OR LINER LISTED TO UL1777.
 THIS APPLIANCE MUST BE PROPERLY CONNECTED TO A VENTING SYSTEM IN ACCORDANCE WITH THE MANUFACTURER'S INSTALLATION INSTRUCTIONS.
 FOR ALTITUDES ABOVE 2,000 FT/610M (IN CANADA 4500 FT/1370M) DE-RATE THE APPLIANCE BY FOUR (4%) FOR EVERY 1,000 FT (405 M).

MINIMUM CLEARANCES TO COMBUSTIBLES - SHR40/SHR33
 E = Top Facing to Bottom of Insert 35"
 F = Center of Fireplace to Side Facing or Side Wall 30"
 *J = 12" Mantel to Bottom of Insert 38"
 * See owner's manual for additional mantel clearances and options

MINIMUM FIREPLACE SIZES REQUIRED
 A = 36.00" Front Opening
 B = 21.50" Height
 C = 19.50" Rear Width
 D = 16.00" Fireplace Depth

HEARTH PROTECTION
 G = Minimum Hearth Protection from Front of Insert
 H = Vertical Distance from Insert Bottom to Combustible Material

Note: Hearth protection to be min. 1" thick non-combustible or equivalent, with a k factor of .84.



| SHR40/33 | |
|----------|--------|
| G | 12" 0" |
| H | 0" 8" |

HOMOLOGUÉ FOYER RADIANT PRÉFABRIQUÉ AU GAZ - INSERTION DE FOYER AU GAZ - NE PAS UTILISER AVEC DU COMBUSTIBLE SOLIDE

TESTÉ SELON LA NORME ANSI Z21.88-2005/CSA 2.33-2005 «FOYER RADIANT AU GAZ», UL307B, CSA P.4.1-02, ET CGA 2.17-M91.
 CET APPAREIL DOIT ÊTRE INSTALLÉ CONFORMÉMENT AUX EXIGENCES DES CODES RÉGIONAUX ET DU CODE D'INSTALLATION ANSI NFPA 54-DERNIÈRE ÉDITION (ÉTATS-UNIS), OU CAN/CSA B149.1-DERNIÈRE ÉDITION (CANADA). CET APPAREIL DOIT ÊTRE INSTALLÉ SELON LES DIRECTIVES D'INSTALLATION DU FABRICANT. POUR INSTALLATION DANS DES FOYERS À COMBUSTIBLE SOLIDE SEULEMENT - DE MAÇONNERIE OU PRÉFABRIQUÉ EN USINE. CE FOYER RADIANT AU GAZ À ÉVACUATION N'EST PAS CONÇU POUR ÊTRE UTILISÉ AVEC DES FILTRES À AIR.
 CET APPAREIL DOIT ÊTRE UTILISÉ AVEC LE TYPE DE GAZ INDIQUÉ SUR LA PLAQUE SIGNALÉTIQUE ET PEUT ÊTRE INSTALLÉ DANS UNE MAISON PRÉUSINÉE OU DANS UNE MAISON MOBILE FIXE. LÀ OÙ LES CODES RÉGIONAUX LE PERMETTENT. VOIR LE MANUEL D'ENTRETIEN POUR PLUS DE DÉTAILS. CET APPAREIL NE PEUT PAS ÊTRE CONVERTI POUR L'USAGE AVEC D'AUTRES TYPES DE GAZ À MOINS D'UTILISER UNE TROUSSE DE CONVERSION HOMOLOGUÉE.
 DANGER: RISQUE DE CHOC ÉLECTRIQUE. DÉBRANCHEZ L'APPAREIL AVANT D'EN FAIRE L'ENTRETIEN.
 SI L'APPAREIL REQUIERT UN BRANCHEMENT ÉLECTRIQUE, LES RACCORDEMENTS ET LA MISE À LA TERRE DOIVENT ÊTRE CONFORMES AUX EXIGENCES DES CODES RÉGIONAUX ET DU CODE D'INSTALLATION ANS/NFPA 70 OU CSA C22-1.

| SPÉCIFICATIONS | Modèle SHR40 | | Modèle SHR33 | |
|--|--------------|-------------|--------------|-------------|
| | GAZ NATUREL | GAZ PROPANE | GAZ NATUREL | GAZ PROPANE |
| ENTRÉE MAX/MIN BTUH/HR 0-4500 pi (0-1370 M)* | 40000/24000 | 37500/21500 | 33000/19500 | 33000/19500 |
| PRESSION À LA SORTIE (IN. WC/C.E.) | 3,5 | 10,0 | 3,5 | 10,0 |
| PRESSION MINIMUM D'ENTRÉE DU GAZ (IN. WC/C.E.) | 5,0 | 10,5 | 5,0 | 10,5 |
| ORIFICE (DMS) 0-4500 pi (0-1370 M)* | .125 | #49 | #36 | #51 |

* L'APPAREIL PRÉUSINÉ EST MUNI D'EQUIPEMENT POUR 0-2000 PIEDS (0-610 M), AU CANADA 0-4500 PIEDS (0-1370M).
 SPÉCIFICATIONS ÉLECTRIQUE 120 VCA, 60 HZ, MOINS DE 2 AMPÈRES

CHEMINÉE - UTILISER UN CONDUIT D'ÉVACUATION 3" DE DIAMÈTRE RIGIDE OU FLEXIBLE HOMOLOGUÉ UL 1777.
 CET APPAREIL DOIT ÊTRE RELIÉ À UN SYSTÈME D'ÉVACUATION TEL QUE SPÉCIFIÉ DANS LE MANUEL D'INSTALLATION DU FABRICANT.
 EN ALTITUDE, AU-DELÀ DE 2000 PI/610 M, (AU CANADA 0-4500 PI/0-1370M) LA CAPACITÉ ÉNERGÉTIQUE DE L'APPAREIL DIMINUE DE QUATRE (4%) POUR CHAQUE 1000 PI (405 M).

DÉGAGEMENTS AUX COMBUSTIBLES - SHR40/SHR33

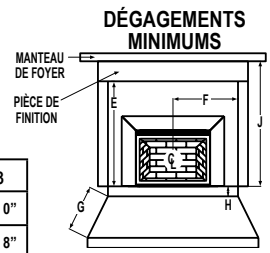
E = Dessus du foyer à partir de la base 35"
 F = Mur latéral à partir du centre du foyer 30"
 *J = 12" manteau de foyer à partir de la base 38"
 * Voir le manuel d'entretien pour les informations supplémentaires reliées aux distances à respecter pour le manteau de foyer

DIMENSIONS MINIMUMS DE FOYER REQUISES

A = 36.00" Ouverture avant
 B = 21.50" Hauteur
 C = 19.50" Largeur arrière
 D = 16.00" Profondeur du foyer

PROTECTION DU FOYER
 G = Extension d'âtre min. devant le foyer
 H = Distance verticale de la base de l'appareil aux combustibles

| SHR40/33 | |
|----------|--------|
| G | 12" 0" |
| H | 0" 8" |



Note: Extension d'âtre fabriqué avec 1" minimum de matériaux non-combustible ou équivalent possédant un facteur k de 0.84.

DANGER: CET APPAREIL DÉGAGE DES TEMPÉRATURES ÉLEVÉES ET DEVRAIT ÊTRE INSTALLÉ À L'ÉCART DES ENDROITS TRÈS PASSANTS ET LOIN DES MEUBLES ET RIDEAUX. SURVEILLEZ LES ENFANTS QUI SE TROUVENT DANS LA PIÈCE. GARDEZ LA ZONE AUTOUR DU FOYER EXEMPTÉ DE MATÉRIAUX COMBUSTIBLES, D'ESSENCE ET AUTRES VAPEURS ET LIQUIDES INFLAMMABLES. MAINTENEZ LE BRÛLEUR ET LE BÔITIER DES COMMANDES PROPRE EN TOUT TEMPS. VOIR LES MANUELS D'INSTALLATION ET D'ENTRETIEN QUI ACCOMPAGNENT L'APPAREIL. SEUL LE PANNEAU VITRE FOURNI PAR LE MANUFACTURIER PEUT ÊTRE UTILISÉ AVEC CET APPAREIL. EN AUCUN CAS, L'APPAREIL NE PEUT ÊTRE UTILISÉ SANS LA VITRE OU AVEC LA VITRE BRISÉE. LE REMPLACEMENT DE LA VITRE DOIT ÊTRE EFFECTUÉ PAR UN TECHNICIEN DE SERVICE QUALIFIÉ.

AVERTISSEMENT: UNE INSTALLATION INADÉQUATE DE MÊME QU'UN AJUSTEMENT, UNE MODIFICATION, UNE RÉPARATION OU UN ENTRETIEN INCORRECTS PEUVENT CAUSER DES BLESSURES OU DOMMAGES À LA PROPRIÉTÉ. RÉFÉREZ-VOUS AU MANUEL D'ENTRETIEN LIVRÉ AVEC CET APPAREIL. POUR DE L'ASSISTANCE, CONSULTEZ UN INSTALLATEUR QUALIFIÉ, UNE ENTREPRISE DE SERVICE OU UN FOURNISSEUR DE GAZ.

DATE OF MANUFACTURE / DATE DE FABRICATION

| | | | | | | | | | | | | | | | |
|--------------------------|--------------------------|--------------------------|--------------------------|--------------------------|--------------------------|--------------------------|--------------------------|--------------------------|--------------------------|--------------------------|--------------------------|--------------------------|--------------------------|--------------------------|--------------------------|
| 2010 | 2011 | 2012 | 2013 | JAN | FEB | MAR | APR | MAY | JUN | JUL | AUG | SEP | OCT | NOV | DEC |
| | | | | JANV | FEVR | MARS | AVR | MAI | JUIN | JUIL | AOÛT | SEPT | OCT | NOV | DEC |
| <input type="checkbox"/> | <input type="checkbox"/> | <input type="checkbox"/> | <input type="checkbox"/> | <input type="checkbox"/> | <input type="checkbox"/> | <input type="checkbox"/> | <input type="checkbox"/> | <input type="checkbox"/> | <input type="checkbox"/> | <input type="checkbox"/> | <input type="checkbox"/> | <input type="checkbox"/> | <input type="checkbox"/> | <input type="checkbox"/> | <input type="checkbox"/> |

N'ENLEVEZ PAS OU NE COUVREZ PAS CETTE ÉTIQUETTE

Part No./No. pièce #36256 Rev. A, 12/06 DO NOT REMOVE OR COVER THIS LABEL

LIGHTING INSTRUCTIONS LABEL

FOR YOUR SAFETY READ BEFORE OPERATING

WARNING: IF YOU DO NOT FOLLOW THESE INSTRUCTIONS EXACTLY, A FIRE OR EXPLOSION MAY RESULT CAUSING PROPERTY DAMAGE, INJURY OR LOSS OF LIFE.

CAUTION: HOT WHILE IN OPERATION. DO NOT TOUCH. KEEP CHILDREN, FURNITURE, GASOLINE AND OTHER LIQUIDS WITH FLAMMABLE VAPORS AWAY. NEVER OPERATE UNIT WITH GLASS DOOR OFF OR ATTEMPT TO OPEN THE DOOR WHILE HOT.

- This appliance is equipped with a piezo ignition device to light the pilot. When lighting the pilot, follow these instructions exactly.
- BEFORE LIGHTING, smell around the appliance area for gas. Be sure to smell next to the floor because some gas is heavier than air and will settle on the floor.

WHAT TO DO IF YOU SMELL GAS:

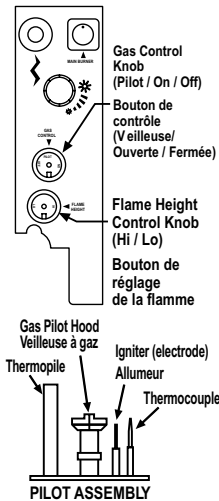
- DO NOT try to light the appliance.
 - DO NOT touch any electric switch; do not use any phone in the building.
 - Immediately call your gas supplier from a neighbor's phone. Follow the gas supplier's instructions.
 - If you cannot reach your gas supplier, call the fire department.
- Use only your hand to push in or turn the gas control knob. Never use any tool. If the knob will not push in or turn by hand, don't try to repair it, call a qualified service technician. Force or attempted repair may result in a fire or explosion.
 - DO NOT use this appliance if any part has been under water. Immediately call a qualified service technician to inspect the appliance and to replace any part of the control system and any gas control which has been under water.

OPERATING INSTRUCTIONS

CAUTION: YOUR LENNOX GAS APPLIANCE MUST ALWAYS BE OPERATED WITH GLASS DOOR IN PLACE.

STOP! Read the safety information above before proceeding.

- Open the right side access door. Make sure gas supply shut-off cocks are open and ON/OFF Rocker Switch is "OFF". If equipped with a thermostat, set it to the lowest setting.
- Turn off all electrical power to the appliance.
- Push in Gas Control Knob slightly and turn clockwise to "OFF".
NOTE: Knob cannot be turned from "PILOT" to "OFF" unless Knob is pushed in slightly. Do not force.
- Wait five (5) minutes to clear out any gas. If you smell gas, STOP! Follow "B" above. If you don't smell gas continue.
- Locate the pilot by looking at the rear center of the burner, behind the large center log. Blue flame will be seen when the pilot is lit.
- Turn the gas control knob counterclockwise to the "PILOT" position.
- Push the knob all the way in and hold in that position. Immediately light the pilot by pressing the ignitor button several times until pilot is lit. Continue to hold the knob in for about 30 seconds after the pilot is lit. Release knob and it will pop back out. Pilot should remain lit. If it goes out, repeat steps 4-8 holding knob in an additional 15 seconds after pilot is lit.
- If knob does not pop out when released, stop and immediately call your service technician or gas supplier.
- If the pilot will not stay lit after several tries, turn the gas control knob to "OFF" and call your service technician or your gas supplier.
- After pilot is lit, turn gas control counterclockwise to "ON". Knob can only be turned "ON" if the knob has popped out.
- To turn burner on, turn "ON/OFF" rocker switch to "ON" or set the thermostat to the desired temperature above room temperature.
- Adjust the flame height (and heat output) by turning the flame height knob clockwise for reduced flame and counterclockwise for full flame.
- Set the blower to the desired air flow after it turns on when the appliance reaches operating temperature.



TO TURN OFF GAS TO APPLIANCE

- Turn off the "ON/OFF" rocker switch and/or thermostat (if installed).
- Turn off electric power to the appliance if service is to be performed.
- Turn gas control knob clockwise to "OFF". Do not force.

This appliance needs fresh air for safe operation and must be installed so there are provisions for adequate combustion and ventilation air. See Installation and Operation Manual accompanying appliance.

WARNING: Improper installation, adjustment, alteration, service or maintenance can cause injury or property damage. For assistance or additional information, consult a qualified installer, service agency or your gas supplier.

Operation of this appliance when not connected to a properly installed and maintained venting system can result in carbon monoxide (CO) poisoning and possible death.

SHUTDOWN PROCEDURE

- To turn off the burner, switch the rocker switch to "OFF" or adjust the thermostat to a setting below room temperature (if installed). The pilot will remain lit for future burner ignition.

For complete shutdown: See "TO TURN OFF GAS TO APPLIANCE" above.

POUR VOTRE SÉCURITÉ, LIRE AVANT L'ALLUMAGE

AVERTISSEMENT: SI VOUS NE RESPECTEZ PAS RIGOREUSEMENT LES INSTRUCTIONS CI-DESSOUS, VOUS POURRIEZ ENCOURIR UN RISQUE D'INCENDIE ET/OU D'EXPLOSION QUI POURRAIT CAUSER DES DOMMAGES MATÉRIELS ET CORPORELS POUVANT ENTRAÎNER LA MORT.

DANGER: CET APPAREIL DÉGAGE DES TEMPÉRATURES ÉLEVÉES ET DEVRAIT ÊTRE INSTALLÉ À L'ÉCART DES ENDOITS TRÈS PASSANTS ET LOIN DES MEUBLES ET RIDEAUX. GARDEZ LA ZONE AUTOUR DU FOYER EXEMPTÉ DE MATÉRIELS COMBUSTIBLES, D'ESSENCE ET AUTRES VAPEURS ET LIQUIDES INFLAMMABLES.

- Cet appareil utilise un système d'allumage par étincelle (allumeur Piézo-électrique) pour allumer la veilleuse. Assurez-vous de suivre rigoureusement les instructions d'allumage de la veilleuse.
- AVANT D'ALLUMER L'APPAREIL, assurez-vous qu'il n'y a pas d'odeur de gaz près de l'appareil ni près du sol car certains gaz plus lourds que l'air auraient tendance à s'y accumuler en cas de fuite.

QUE FAIRE SI VOUS SENTEZ UNE ODEUR DE GAZ:

- N'ALLUMEZ aucun appareil.
 - Ne touchez aucune prise électrique; N'utilisez aucun téléphone dans votre édifice.
 - Sortez de la maison. À partir d'un autre endroit, appelez immédiatement votre fournisseur de gaz et suivez les directives.
 - S'il est impossible de joindre le distributeur du gaz, appelez les pompiers.
- N'utilisez aucun outil pour tourner ou pousser le dispositif de contrôle du gaz. Si vous ne pouvez le faire manuellement, n'essayez pas de réparer l'appareil. Appelez un technicien de service qualifié. Si vous tentez de forcer ou réparer le dispositif de contrôle du gaz vous pourriez encourir un risque d'incendie et/ou d'explosion.
 - N'utilisez pas cet appareil si une de ses composantes a été émergée dans l'eau. Appelez immédiatement un technicien de service qualifié et reconnu afin qu'il inspecte et remplace au besoin toutes pièces du système qui auraient été en contact avec l'eau.

ALLUMAGE

DANGER: VOTRE APPAREIL AU GAZ LENNOX DOIT ÊTRE OPÉRÉ AVEC DES PORTES DE VERRE.

ATTENTION! Lisez les consignes de sécurité ci-dessous avant d'opérer votre appareil.

- Ouvrez la porte d'accès à la droite de l'appareil. Assurez-vous que l'alimentation en gaz est à la position Fermée "OFF". Si l'appareil est équipé d'un thermostat, placez-le à la température la plus basse.
- Couper le courant électrique qui alimente l'appareil.
- Enfoncez légèrement le bouton de contrôle du gaz et tournez-le dans le sens des aiguilles d'une montre à la position "OFF".
NOTE: Le bouton de contrôle du gaz ne peut être tourné de la position "PILOT" à "OFF" sans qu'une légère pression ne soit appliquée.
- Attendez au moins 5 minutes pour que le gaz qui se trouve dans la chambre de combustion puisse s'échapper. Si vous sentez une odeur de gaz ARRÊTEZ! Référez-vous à la section B ci-dessus. Si vous ne sentez pas d'odeur de gaz, allez à la prochaine étape.
- Repérez la veilleuse située au centre de la chambre de combustion, sous la bûche céramique arrière. Une flamme bleue est visible lorsque la veilleuse est allumée.
- Tournez le bouton de contrôle de gaz dans le sens inverse des aiguilles d'une montre pour le placer sur "PILOT".
- Cet appareil de chauffage est équipé d'un système d'allumage par étincelle (allumeur Piézo-électrique), devant être utilisé pour l'allumage de la veilleuse. Poussez complètement le bouton de contrôle du gaz et le maintenir dans cette position. Appuyez immédiatement sur le bouton (allumeur Piézo-électrique) situé à gauche du robinet de contrôle du gaz. L'étincelle produite par l'allumeur Piézo-électrique doit allumer la veilleuse. Continuez à maintenir le bouton de contrôle dans cette position pendant environ 30 secondes après l'allumage de la veilleuse. Relâchez le bouton de contrôle du gaz qui reviendra à la position initiale. La veilleuse doit rester allumée. Répétez les étapes 4 à 8 pendant 15 secondes supplémentaires si la veilleuse s'éteint.
- Si le bouton de contrôle du gaz ne revient pas à la position initiale une fois relâché, appeler immédiatement un technicien qualifié ou votre distributeur de gaz.
- Si la veilleuse ne reste pas allumée après plusieurs essais, tournez le bouton de contrôle du gaz à la position "OFF" et appelez immédiatement un technicien qualifié ou votre distributeur de gaz.
- Lorsque la veilleuse est allumée, tournez le bouton de contrôle du gaz dans le sens inverse des aiguilles d'une montre pour le placer à la position "ON". Le bouton de contrôle peut-être tourné à la position "ON" seulement si il n'est plus enfoncé.
- Pour allumer le brûleur, mettre l'interrupteur à la position "ON" ou ajustez le thermostat à la température souhaitée.
- Ajustez la flamme et la température souhaitée en tournant le bouton de réglage de la flamme dans le sens des aiguilles d'une montre pour l'abaisser et dans le sens contraire pour l'augmenter.
- Ajustez le ventilateur au volume désiré lorsque l'appareil aura atteint la température de fonctionnement.

POUR COUPER L'ALIMENTATION EN GAZ DE L'APPAREIL

- Fermez l'interrupteur et/ou le thermostat «MARCHE/ARRÊT».
- Coupez l'alimentation électrique de l'appareil si vous prévoyez en faire le service.
- Tournez le bouton de commande du gaz dans le sens des aiguilles d'une montre à "OFF". Ne le forcez pas.

Cet appareil a besoin d'air frais pour opérer sécuritairement et doit être installé pour qu'il y ait un apport en air suffisant. Référez-vous aux manuels d'entretien et d'installation fournis avec l'appareil.

AVERTISSEMENT: Une installation inadéquate, un mauvais ajustement, une altération ou toutes autres modifications inappropriées pourraient entraîner des blessures physiques et/ou des dommages matériels. Référez-vous au guide d'utilisation fourni avec ce foyer. Pour assistance ou information supplémentaires contactez un installateur qualifié, un agent de service ou un fournisseur de gaz.

Si vous opérez cet appareil sans qu'il ne soit correctement raccordé à un conduit d'évacuation, vous pourriez risquer d'être empoisonné au monoxyde de carbone (CO) ce qui pourrait entraîner des conséquences graves ou la mort.

PROCÉDURE D'ARRÊT

- Pour arrêter le brûleur, mettre l'interrupteur à la position "OFF" ou ajustez le thermostat à une température en dessous de la température ambiante. La veilleuse restera allumée pour permettre un allumage ultérieur.

Pour un arrêt complet: Consultez la procédure ci-dessus «POUR COUPER L'ALIMENTATION EN GAZ DE L'APPAREIL».

#36256 Rev. A, 12/06

NOTES

WARRANTY

Your gas appliance is covered by a limited warranty (see warranty certificate provided with appliance). Please read the warranty to be familiar with its coverage.

Retain this manual. File it with your other documents for future reference.

PRODUCT REFERENCE INFORMATION

We recommend that you record the following important information about your fireplace. Please contact your Lennox dealer for any questions or concerns. For the number of your nearest Lennox dealer, please call 1-800-9-LENNOX.

REPLACEMENT PARTS

See **Page 30** for a complete replacement parts list. Use only parts supplied from the manufacturer.

Normally, all parts should be ordered through your Lennox distributor or dealer. Parts will be shipped at prevailing prices at time of order.

When ordering repair parts, always give the following information:

1. The model number of the appliance.
2. The serial number of the appliance.
3. The part number.
4. The description of the part.
5. The quantity required.
6. The installation date of the appliance.

If you encounter any problems or have any questions concerning the installation or application of this system, please contact your dealer.

LENNOX HEARTH PRODUCTS

1508 Elm Hill Pike, Suite 108
Nashville, TN 37210

visit us at www.Lennox.com

Your Fireplace Insert's Model Number _____
Your Fireplace Insert's Serial Number _____
The Date On Which Your Fireplace Insert Was Installed _____
The Type of Gas Your Fireplace Insert Uses _____
Your Dealer's Name _____
Fuel Type (Check one) Natural Gas Propane Gas (LP)

NATIONAL
FIREPLACE
INSTITUTE



CERTIFIED
www.nficertified.org

We recommend that our gas hearth products be installed and serviced by professionals who are certified in the U.S. by the National Fireplace Institute® (NFI) as NFI Gas Specialists.

NATIONAL
FIREPLACE
INSTITUTE



CERTIFIED
www.nficertified.org

Nous recommandons que nos foyers au gaz soient installés et que l'entretien soit effectué par des professionnels certifiés par le National Fireplace Institute® (NFI). (Etats-Unis seulement)

Lennox Hearth Products reserves the right to make changes at any time, without notice, in design, materials, specifications, prices and also to discontinue colors, styles and products. Consult your local distributor for fireplace code information.

LENNOX
HEARTH PRODUCTS

Free Manuals Download Website

<http://myh66.com>

<http://usermanuals.us>

<http://www.somanuals.com>

<http://www.4manuals.cc>

<http://www.manual-lib.com>

<http://www.404manual.com>

<http://www.luxmanual.com>

<http://aubethermostatmanual.com>

Golf course search by state

<http://golfingnear.com>

Email search by domain

<http://emailbydomain.com>

Auto manuals search

<http://auto.somanuals.com>

TV manuals search

<http://tv.somanuals.com>