

# P03 / P06 / P09

La Pavoni spa - Via Privata Gorizia, 7 - 20098 San Giuliano Milanese (MI) - Italy - Telefono +39 02 98217.1 - Fax +39 02 9821787  
www.lapavoni.com e-mail: espresso@lapavoni.it



Cod. 2850018 - Rev. 00 - Marzo 2009

Istruzioni per l'uso operating instructions mode d'emploi  
gebrauchsanweisung instrucciones de uso

 <sup>®</sup>  
Dal 1905 macchine per caffè

# INTRODUCTION

Dear Customer,

Thank you for choosing our product.

This machine, thanks to its reliability, will be able to win your preference also for other products in our range.

Each dealer will be able to refer you to the nearest Service Centre.

Notwithstanding the ease of use of the machine, in order to get the best results it is important to thoroughly read this booklet and follow all instructions before starting the machine.

## GENERAL INFORMATION

The machine is suitable for preparing hot drinks, obtained by mixing hot water and granulated soluble products. The body of the machine is designed for indoor use only.

Any service or repair work, with the exception of cleaning and normal maintenance, shall be carried out by an authorised Service Centre.

To make reading of the manual easier, important information, which must be observed for the safeguard of the user and for the prevention of accidents, will be shown in **bold** and in some cases indicated by the following symbols:



**GENERIC HAZARD:** it indicates important rules to be observed in order to avoid hazards to the user.



**ELECTROCUTION HAZARD:** it indicates important information to be followed in order to avoid risks resulting from electric power

The machine was conceived for use by adult persons only, who have their psycho-physical faculties unaltered. It is not suitable for use by children.

## IMPORTANT PRECAUTIONS

When using electric material it is important to ensure the appropriate precautions are adopted in order to avoid electric shock, accidents and damage to persons and things.

- Thoroughly read all information contained in this manual and in any other attachment included in the packing.
- Ensure that the power supply voltage indicated on the data plate of the machine is compatible with the one from your power supply outlet.
- Take special care while using the machine in the presence of children.
- Verify that the main switch of the machine is not pressed before plugging or unplugging the power supply plug.
- Unplug the power supply plug from the power outlet and wait for the machine to cool down before starting any maintenance or cleaning operations.
- Do not use the machine when one or more components are damaged or missing (power supply cable, plug, switches, etc.). Get the machine to be checked or repaired at the nearest service centre.
- The use of accessories that are not recommended by the manufacturer can cause damage to persons or things.
- Do not immerse the machine in any kind of liquid; do not clean it with any strong detergents. It is sufficient to use a soft cloth soaked in warm water.
- To avoid short-circuits and/or electric shocks keep away from the machine liquids that may accidentally be spilled over the machine.

*In case of doubt or should the instructions in this manual not be clear enough, do not hesitate to ask for clarification from the supplier, an authorised service centre or directly from the manufacturer.*

## SAFETY REGULATIONS

Make sure to implement all necessary precautions to avoid contact of the machine with liquids. Liquids can seep inside the machine and cause short-circuits or energise external parts of the machine.

### INTENDED USE OF THE MACHINE

The machine is intended for adult persons informed on its operation, to be used in a sensible, conscious and careful manner (should the machine be used by other persons, we recommend to make this booklet available to them).

It is intended for indoor use only.

The machine is intended exclusively for dispensing hot drinks through the use of suitable granulated soluble products.

Do not make any changes, and do not use the machine improperly or for a purpose different from the one for which it was designed.

### INSTALLATION

After opening the packing ensure that the machine is intact and check that all of the main parts are included (refer to the figures in the following pages).

Plastic bags, polystyrene, nails etc. are potential sources of danger, therefore they must not be left unattended or within the reach of children.

The machine must be positioned on a level, solid and stable surface, away from heat sources. Ensure a free space at the sides and at the back of the machine of at least 20 cm.

**There must be sufficient free space to allow the operator to have access to the machine in the event of malfunctions.**

Choose a hygienic and well lit room with an easy to access power outlet.



- **Check that the power supply voltage of the machine is the same as the one of the power supply outlet.**



- **The power supply outlet must be conforming to the plug of the machine, sized to meet the characteristics indicated on the data plate of the machine and connected to an efficient earth circuit.**

- Check that the power supply cable is not damaged or defective. If there is a problem, do not use the machine under any circumstances. The power supply cable must be replaced by the manufacturer or by one of its service centres.

Pay attention to the position of the cable during installation, it must not be:

- a hindrance to persons or things
- crushed, pressed or placed on sharp surfaces
- bent forcefully
- placed near hot surfaces
- immersed, or placed near water or other liquids
- wound around itself when the machine is in operation
- tampered with.

## DANGER ASPECTS

It is important to ensure that no children can touch the machine!

- The machine can be dangerous for children and must be made inaccessible to them. If not used or if left unattended, it must be deactivated.
- Do not leave any materials used for packing the machine within the reach of children.
- Do not insert any objects through the machine openings (Danger! Electric current!).
- Do not touch the plug and the cable while the machine is in operation; do not unplug by pulling the cable.
- The parts near the dispensing zone can be very hot. Caution!  
Risk of burns from contact.

## CLEANING

Before starting any cleaning on the machine, ensure that it is switched off and that the plug is unplugged.

Wait several minutes to allow the components to cool down.

Do not insert any objects in the holes of the machine.

## REPAIRS AND MAINTENANCE



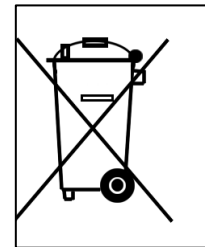
In the event of failures, defects, suspected defects or if the machine is dropped, immediately unplug the plug from the power outlet. Never start a defective machine.



Only the Authorised Service Centre or the Manufacturer can make repairs.

In the event of repairs that are not well made, we decline all responsibility for any damage.

## DISPOSAL

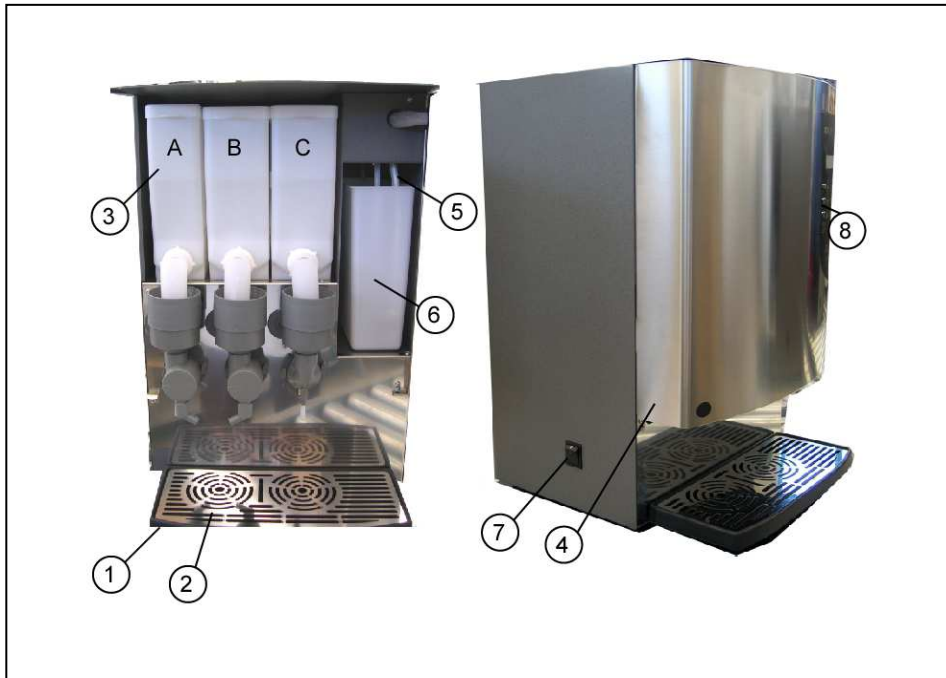


The directive WEEE (Waste Electrical and Electronic Equipment) indicates that electrical and electronic products must be disposed of separately from normal urban waste and similar. The aim is to send the waste to authorised waste disposal centres, for the purpose of promoting ways of recovering or recycling.

The directive includes also the accessories, the power supply cables, etc

To correctly dispose of these products, follow the regulations provided by the municipal authority and/or request further information from your dealer when purchasing a new product.

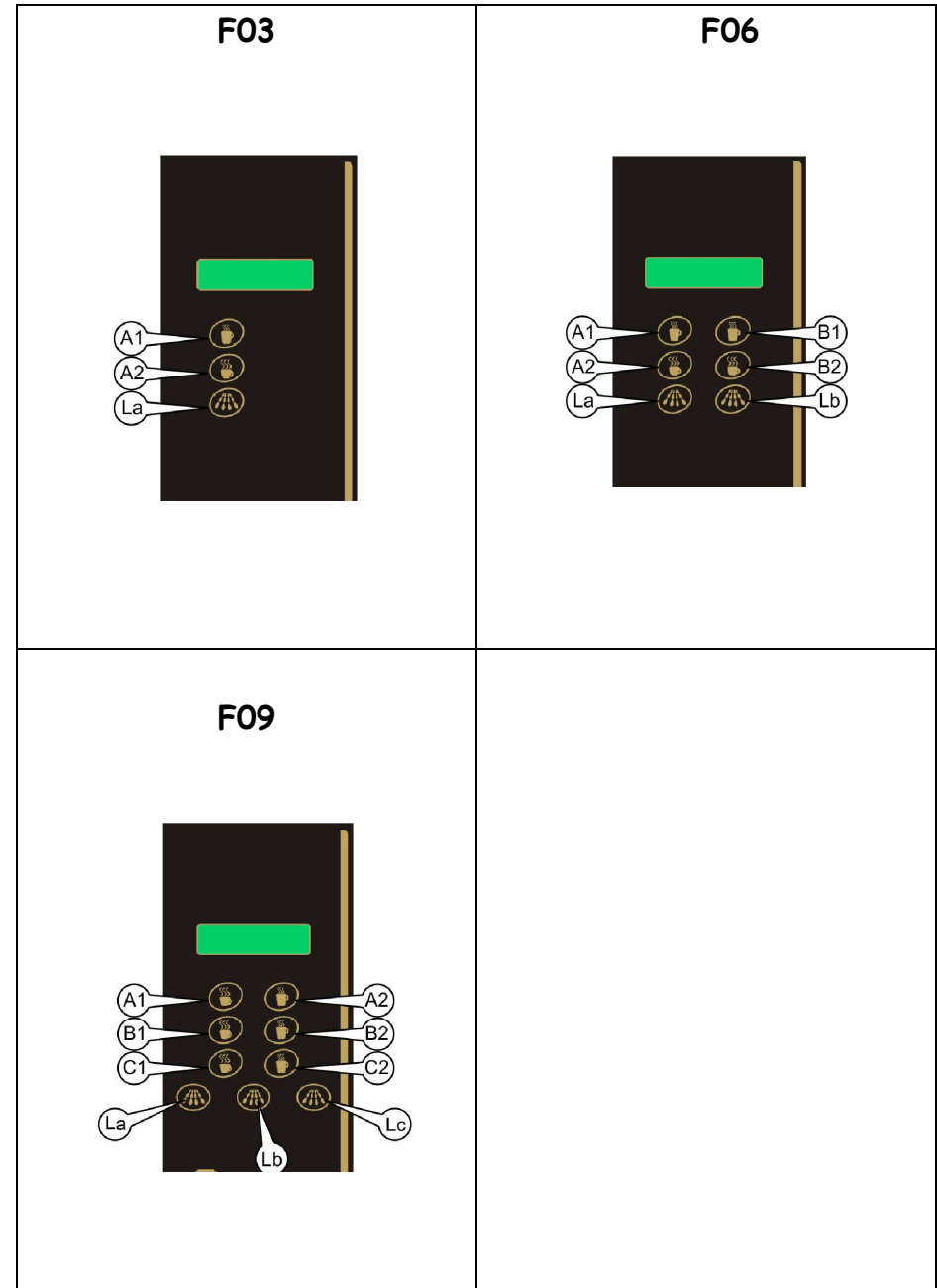
# OPERATING INSTRUCTIONS



- 1 Drip tray
- 2 Cup support grille
- 3 Canister of product A
- 3 Canister of product B
- 3 Canister of product C
- 4 Door
- 5 Water level sensor
- 6 Water tank
- 7 Main switch
- 8 Control panel

*The figure shows the **F09**, which has 3 canisters. The **F06** and **F03** versions differ from this in number of canisters, respectively 2 and 1*

# CONTROL PANEL



## PRELIMINARY OPERATIONS

- As indicated in the figures of the previous page, the machines have 2 dispensing buttons for each granulated product:

- Large cup: long dose
- Small cup: short dose

In addition, they have a rinse button for each mixer unit installed.

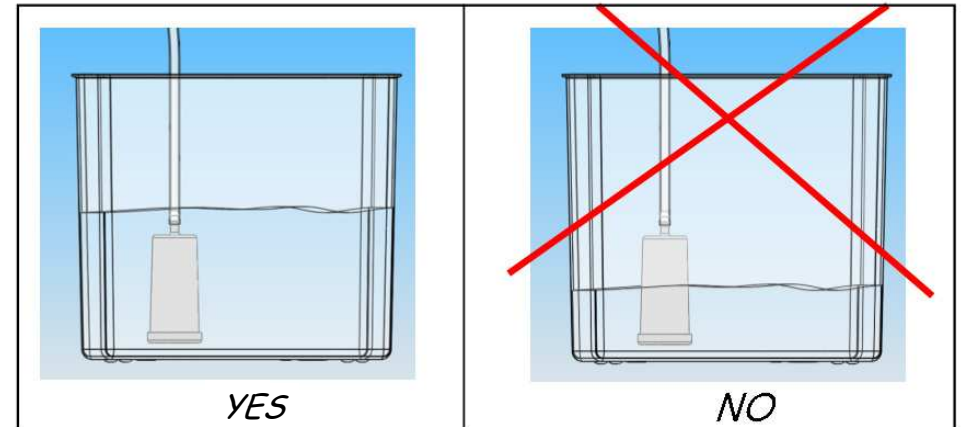
The name assigned to the buttons in the figure (e.g. A1-A2), indicates the name of the controlled mixer unit, **A** is the first one from the left.

Before inserting the plug and switching the machine on, remove the water tank, thoroughly rinse it and fill it with fresh water.

Replace the tank, ensuring that the level sensor is immersed in the water.

**Pour in the tank only fresh drinking still water. Hot water or other liquids can damage the machine.**

Do not start the machine without water; for correct dispensing, the softener filter located at the end of the intake tube must be immersed completely.



## LOADING THE GRANULATED PRODUCT

### IMPORTANT NOTICE:

The products dispensed by the machine with the appropriate mixing and associations to the control panel are preset at the factory.

It is not possible to dispense different products from the ones for which the machine is manufactured.

For machines equipped with more than one canister, make sure that each product is located in the correct position.

Remove the canister, rinse it and dry it thoroughly. Pour the granulated powder product, then fit the lid and replace the canister in its place. Verify that the pin protruding from the base is inserted into the corresponding hole of the machine.

## STARTING THE MACHINE

***N.B. : the machine requires little time for heating, if not used in the immediate future, it is advisable to switch it off.***

After completing the preliminary operations, place a large enough container in the drink dispensing point.

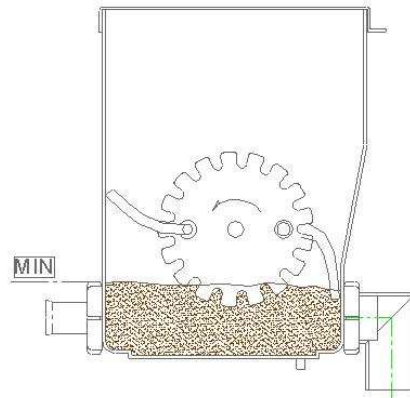
**NOTE: the different configurations of the machine allow one or more dispensing points.**

**It is possible to understand if your model dispenses drinks in a single point by the pattern on the grille, which has a sector with concentric circles. On the contrary, the product will be dispensed under its own mixer body.**

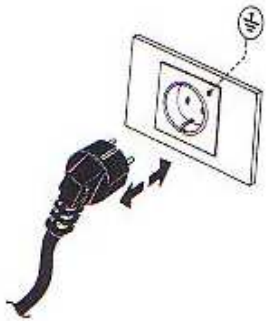
Start the machine by pressing the main switch. After approximately 10 seconds, press the rinse button "L" to fill the machine internal circuit (if the dispensing points are not grouped, make sure to press the rinse button corresponding to the mixer body where the contained was placed). Water coming out of the mixer spout means that the circuit is full. Dispense at least two cups of water (it may be necessary to press the button several times).

**Never operate the machine without first filling the water circuit, not to damage the heating element. If the water level in the tank is too low and the water level sensor is not immersed, this will disable the electronic card.**

For correct dispensing, it is important that the product inside the canister never falls below this level.



Make sure the main switch is set to the position "0"  
Insert the plug in the power outlet.



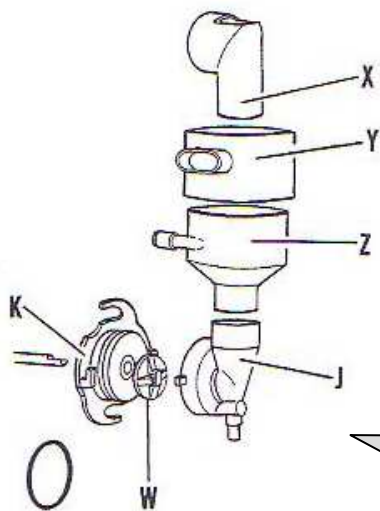
**It is important for the power outlet to be compatible with the plug of the machine and provided with the earth connection pin.**

Pay attention now, the display will indicate the message "READY - SEL.PRODUCT" and at this point it will be possible to dispense the desired drink by pressing the corresponding button.

## INSTRUCTIONS FOR ROUTINE CLEANING

In order to keep the machine efficient and ensure a long lasting duration, it is sufficient to take some simple precautions.

When switching the machine on, every now and then during the course of the day and before switching it off, clean the mixer by pressing the rinse button.



Every day, at the end of the day, disassemble the parts that compose the mixer unit ('X', 'Y', 'Z', 'K', 'J' and the internal plastic impeller 'W') and therefore wash them with hot water.

The figure is only an example; the shape of the elements may vary according to the product to be mixed.

Periodically wash the water tank and replace the water.

Using a soft cloth damp with warm water, clean the outside of the softener filter and the intake tube to which it is fitted.

**N.B.:** The softener filter operates correctly up to 35 litres of water, after which it must be replaced.

The machine will indicate on the display the end of the recommended filter autonomy; after replacing the filter to reset the message, press and keep pressed the rinse button of mixer A.

Clean the inside of the canister compartments.

**Under no circumstances proceed by disassembling the machine.**

## DESCALING

Periodically it may be useful to descale the circuit using a specific product for coffee machines, of the **NON TOXIC** type. Normally available in major stores.

**Warning!** Under no circumstances use vinegar for descaling.

After using the product, thoroughly wash the water tank and rinse the circuit by dispensing water only continuously, using a few times the maximum capacity of the water tank.



## TROUBLE-SHOOTING

- **The machine dispenses too little water:**  
replace the resin filter fitted on the water intake tube and located inside the water tank.
- **The machine dispenses one drink and then stops:**  
check the water level in the tank and if necessary refill it or verify that the shut-off valve is open.
- **The powder is not dispensed:**  
check that the product canister is correctly inserted in its seat and/or there is sufficient product.
- **There is a water leak between component Z and its connection P in the machine:**  
check that the component Z is inserted correctly.
- **When pressing buttons A or B the product is not dispensed:**  
the operating temperature has not been reached yet, wait a few minutes.

## Free Manuals Download Website

<http://myh66.com>

<http://usermanuals.us>

<http://www.somanuals.com>

<http://www.4manuals.cc>

<http://www.manual-lib.com>

<http://www.404manual.com>

<http://www.luxmanual.com>

<http://aubethermostatmanual.com>

Golf course search by state

<http://golfingnear.com>

Email search by domain

<http://emailbydomain.com>

Auto manuals search

<http://auto.somanuals.com>

TV manuals search

<http://tv.somanuals.com>