



TRUCK PARTS MANUAL

FOR VERTICAL MIXER MODELS

5032, 5042 and 5055

Table of Contents

Abbreviations	2
Using This Service Parts Listing	3
Body and Fender Parts	4
Mounting Parts	4
Right Angle Gearbox Drive Parts	5
Gearbox Input and Pinion Gear Drive Parts	5
Auger Drive and Tower Assembly Parts - 5032, 5042 and 5055	6
Auger Drive and Tower Assembly Parts - 5042 and 5055	8
Auger Assembly Parts - 5032	10
Auger Assembly Parts - 5042	11
Auger Assembly Parts - 5055	12
Door and Cylinder Parts - 5032, 5042 and 5055	13
Door and Cylinder Parts - 5042 and 5055	14
Slide Tray	15
PTO Driveline (1000 RPM - 6 - Spline - 1 3/8 Yoke)	16
Gearbox Parts (Comer 4.25:1)	17
Right Angle Gearbox (3 Shaft) (Superior Gearbox Co.)	18
Hydraulic Pump Kit - 12 Volt	20
Hydraulic Pump and Valve Schematic	21
Indicator Mount and Joystick Controls	23
Scale Parts	24
Side Extensions and Hay Retention Options	26
Decal and Paint List	27
Hardware Part Number Listing	28
Part Number Index	30

Catalog Part Number 005945 Unit Serial Number _____

Operator Instruction Manual for this unit: 005908

© Copyright 2004 Kuhn Knight, Inc.

Abbreviations

Assy	Assembly
A/R	As Required
B	Bolt
Brg	Bearing
BSN	Before Serial Number
Btm	Bottom
C-Bolt	Carriage Bolt
Cttr	Cotter
CV	Constant Velocity
Deg	Degree
Dia	Diameter
ea	Each
eq or Equiv	Equivalent
Fln	Flanged Lock Nut
Fw	Flat Washer
Ga	Gauge
Gr or Grd	Grade
Hd	Head
Hfw	Heavy Flat Washer
Hyd	Hydraulic
ID	Inside Diameter
Ill or Illus	Illustration
Ind	Indicator
Jn	Jam Nut
Kw	Keyway
LH	Left Hand
Ln	Lock Nut
Lw	Lock Washer
Mtg Hrd	Mounting Hardware
NC	National Coarse
NF	National Fine
NLA	No Longer Available
NPT	National Pipe Thread
OD	Outside Diameter
Pc(s)	Piece(s)
PD	Pitch Diameter
PTO	Power Takeoff (shaft)
Qty	Quantity
RH	Right Hand
SN	Serial Number
SHCS	Socket Head Cap Screw
Spk, or Spkt or Sprkt	Sprocket
Sq	Square
SS	Stainless Steel
SSB	Stainless Steel Bolt
St	Straight
Std	Standard
STS	Self Tapping Screw
UASN	Used After Serial Number
UBSN	Used Before Serial Number
W	With
W/O	With Out

Using This Service Parts Listing

This listing uses a number indentation system to specify the parts of an assembly. Any number which is indented to the right, indicates that it is a component of the item to the upper left. Example:

Part no	Qty	Description
102-AAA	#	Assembly A
102-BBB	#	Sub-Assembly B
(Component of A)		
140-xxx	#	Sub-Component of B
140-xxx	#	Sub-Component of B
102-CCC	#	Sub-Assembly C
(Component of A)		
etc.		

Using this system, the subassemblies and their components are included if an **Assembly** is ordered. Similarly, the components of a subassemblies are included if a subassembly is ordered.

The quantity (Qty) associated with an assembly, represents the number of times an assembly could be shown in the drawing. The subassembly quantity however, is the number of times a subassembly is used to build one assembly. Similarly, the component quantity refers to the number of times a given component is found in one subassembly.

MODEL AND SERIAL NUMBER INFORMATION is located near the front left hand corner (Fig. A). The model number, serial number and part number should be known when asking service personnel for parts.

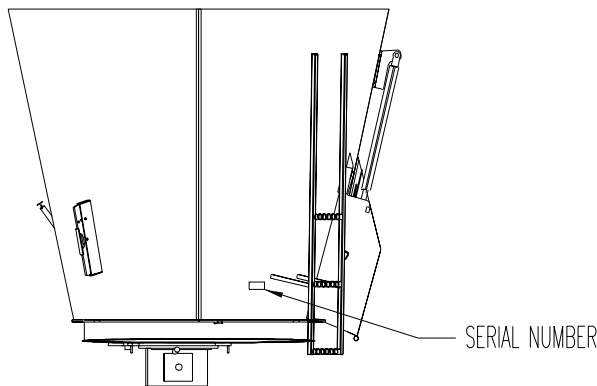


Figure A

The serial number may consist of a number, or a number with a letter prefix. When referring to serial number breaks in the text of this manual, a serial number with a prefix will have been manufactured after a serial number without a prefix (A001 made after 0123). Likewise, a higher prefix letter would indicate manufacture after a lower prefix letter (B001 made after A123). Therefore, if the text refers to units manufactured after serial number B123, this would include "B" series numbers greater than 123, and all numbers with a higher letter prefix.

If you cannot find the part you need, be as descriptive as possible when placing an order:

Sprockets: give the bore size, number of teeth, and size of keyway.

Roller chain: give the size of chain (stamped on the side of each link) and number of links.

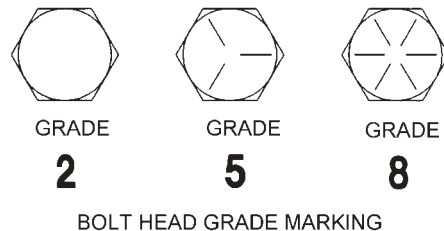
Shafting: give the diameter, length, and quantity and size of keyways.

Hardware is generally not included with parts. If you need any hardware, check the size, the length, and the grade (Fig. B), then check the hardware list in this manual for the part numbers.

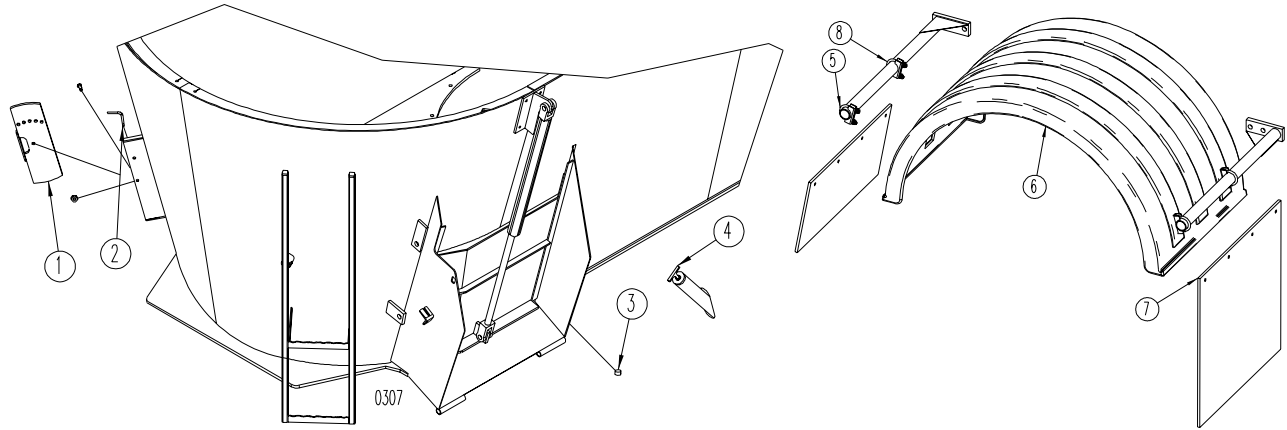
All hex head bolts are grade 5, and nuts are grade 5 unless otherwise stated.

The hardware listing also includes zerks, cotter pins, set screws, and roller chain links.

The illustrations in this manual are meant to be used only as a guide for identifying parts and locating their relative positions.

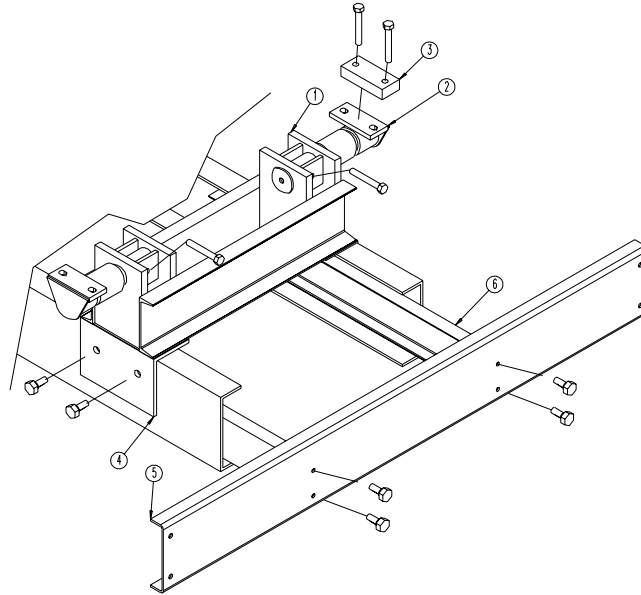


Body and Fender Parts



REF	PART NO	QTY	DESCRIPTION
1	103-678	2	Haydog; Mtg. Hrd: 1/2" x 1 3/4"B, LN (1EA)
2	174-765	2	Bent Hitch Pin, 1/2" DIA x 2 1/2"
3	171-919	1	Drain Plug
4	140-780	1	Dipstick
5	103-920	4	Fender Mount, Poly; Mtg. Hrd: 1/2" x 2"B, LN Gr5 (2EA)
6	175-206	2	Fender, Poly
7	173-760	3	Mud Flap; Mtg Hrd: 5/16"x 1"B,FLN,3/8" Heavy FW (4EA) (front flap is half)
8	175-204	8	Clamp

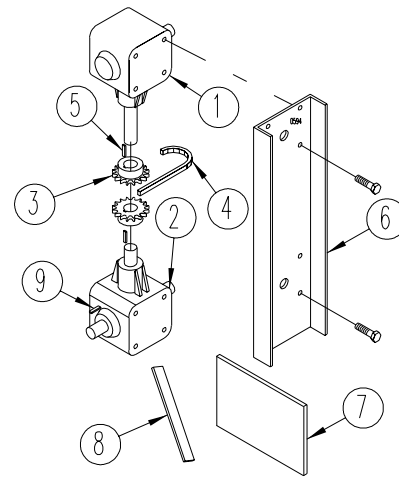
Mounting Parts



REF	PART NO	QTY	DESCRIPTION
1	103-850	2	Weigh Bar Mount; Mtg Hrd: 3/4" x 5"Bolt,Lock Nut (4)
2	103-845	4	Weigh BarSpool mount
3	141-517*	A/R	Scale Mount Spacer; Mtg Hrd: 3/4" B (2ea), Heavy FW (4ea),LN (2ea) Grade 8
4	138-044	4	Sub-Frame Mount; Mtg Hrd: 3/4" x 2"Bolt, LN (8ea) Grade 8
5	140-775	1	Bumper; Mtg Hrd:1/2" x 1 3/4"B,FW,LW,NUT (4ea)
6	103-730	2	Bumper Support Brace
7	174-979	4	Weigh Bar; 2-7/8"; Mtg Hrd; 5/8" x 4-1/2" Bolt, Ln

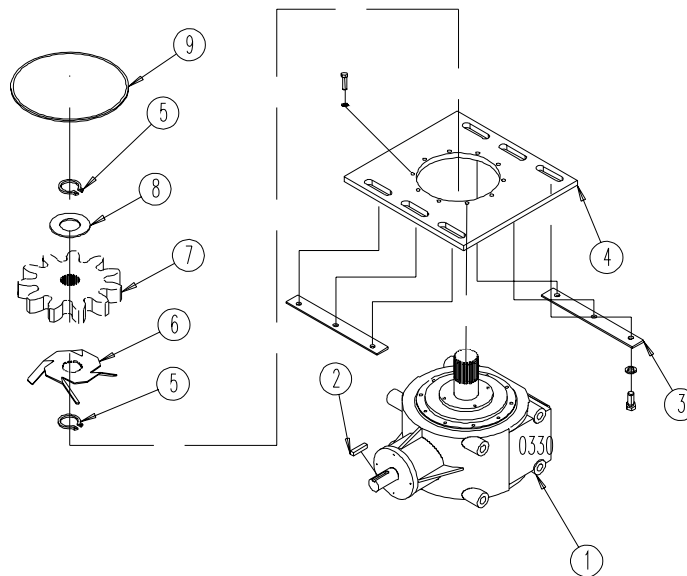
*Use 3/4" Gr8 Bolt, the length will be determined by thickness of the spacers being used.

Right Angle Gearbox Drive Parts



REF	PART NO	QTY	DESCRIPTION
1	173-366	1	Gearcase Assembly, 1.35:1;Mtg Hrd: 1/2" x 1"B,LW(4EA)
2	173-046	1	Gearcase Assembly, 1.35:1 (3 shaft); Mtg Hrd: 1/2" x 1"B,LW (4EA)
3	136-119	2	Sprocket, 1 3/8" Bore, 50-B-16
4	170-316	1	Chain, Roller, 50-2-16
5	170-627	3	Key, 5/16" SQ. x 1 3/4"
6	136-174	1	Gearcase Mount
7	140-677	1	Plate, 3/8" x 6-7/8" x 10"
8	132-687	1	Torque Angle
9	172-152	1	Key, 5/16" SQ. x 2 1/2"

Gearbox Input and Pinion Gear Drive Parts

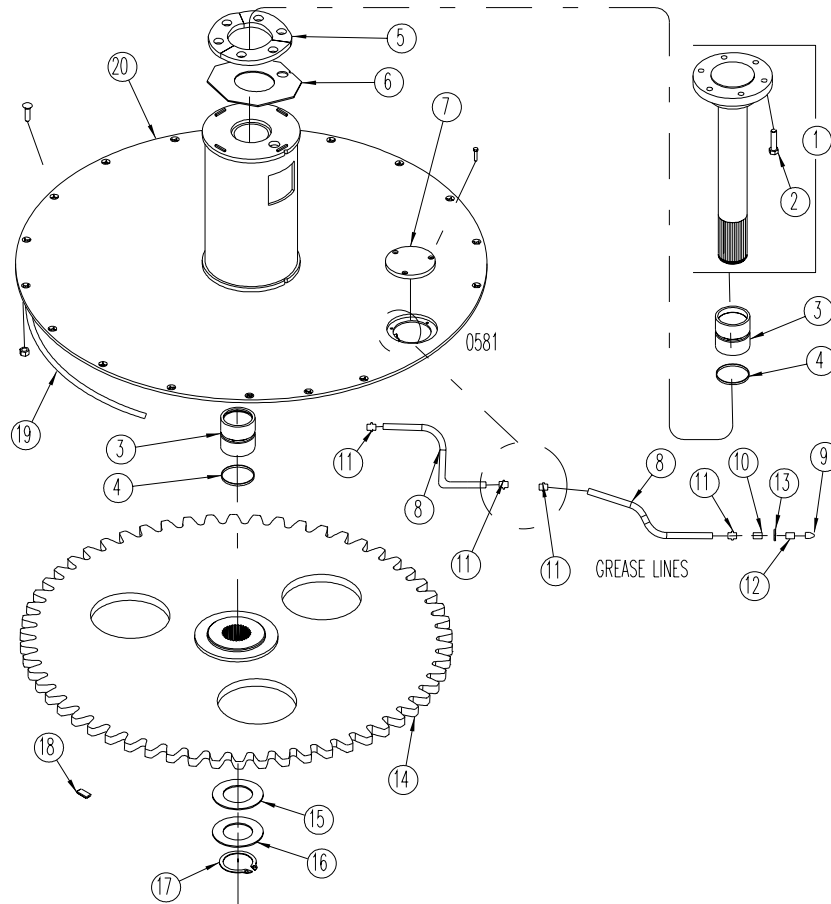


REF	PART NO	QTY	DESCRIPTION
1	174-873	1	Gearbox; 4 1/4:1 ratio, Mtg Hrd: (174-911) M12 x 45MM B(10EA) 5055
2	170-019	1	Key; 1/2" x 1/2" x 2"
3	141-549	2	Gearbox Spacer
4	140-955	1	Gearbox Mount; Mtg Hrd: 3/4" x 2"B,LW,(6EA)
5	171-934	2	Snap Ring; 3" External, Waldes 5100 Series
6	141-131	1	Oil Slinger; 3"ID, (weld on)
7	141-285	1	Pinion Gear; 3" ID
8	136-040	AR	Thrust Ring; 10Ga x 4-1/4"
	172-367	AR	Shim; 1/16" x 3" x 4 1/4"
9	141-465	1	O-ring

Kuhn Knight, Inc.
1501 West 7th Ave., Brodhead, WI 53520
701 Cherry Ave., Greeley, CO 80632

Auger Drive and Tower Assembly Parts - 5032, 5042 and 5055

Used on Units, Serial Number (5042-324 & 5055-116 and After)



REF	PART NO	QTY*	DESCRIPTION
1	103-936	1	Auger Drive Shaft; 4" Dia
2	174-784	6	Stud, Wheel; 3/4" x 3 1/8"
3	141-594	2	Bearing, Plastic; 4"ID x 5"
4	172-913	2	Quad-Ring Seal; 4"ID
5	141-872	3	Thrust Washer
6	141-666	1	Wear Plate
7	141-671	1	Inspection cover; Mtg Hrd: 5/16" x 3/4" SSB (3EA) (5032)
	141-127	1	Inspection cover; Mtg Hrd: 5/16" x 3/4" SSB (3EA) (5042 & 5055)
8	170-786**		Copper Grease Line;(Front Upper Auger 87" Rear Upper Auger 99")
	181-036**A		Copper Grease Line;(Front Upper Auger 87" Rear Upper Auger 99") (Front Lower Auger 84" Rear Lower Auger 96")30' 6" Total for unit.
9	170-865	2	Grease Zerk 1/8" NPT
10	172-024	3	Straight Adapter; 1/8" NPTF F x 1/8" NPTF F
11	173-853	10	Straight Adapter; 3/16" Tube x 1/8" NPTF M
12	174-762	2	Pipe Coupling; 1/8" STD NPT (weld on)
13	170-244	2	Washer, 3/8"

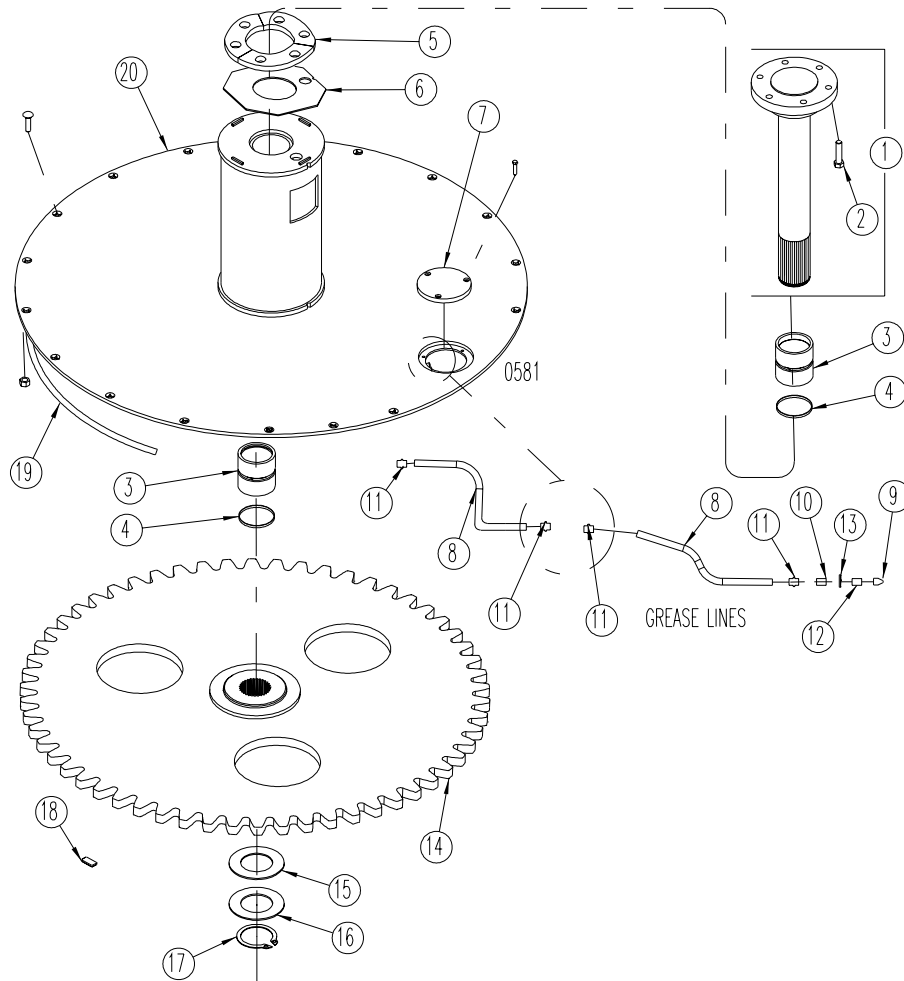
* : Quantity shown is for 1 Tower Assembly

** : Sold By Linear Foot.

A: Used on units serial number 5032-167; 5042-93; 5055-38.

Auger Drive and Tower Assembly Parts - 5032, 5042 and 5055

Used on Units, Serial Number (5042-324 & 5055-116 and After)



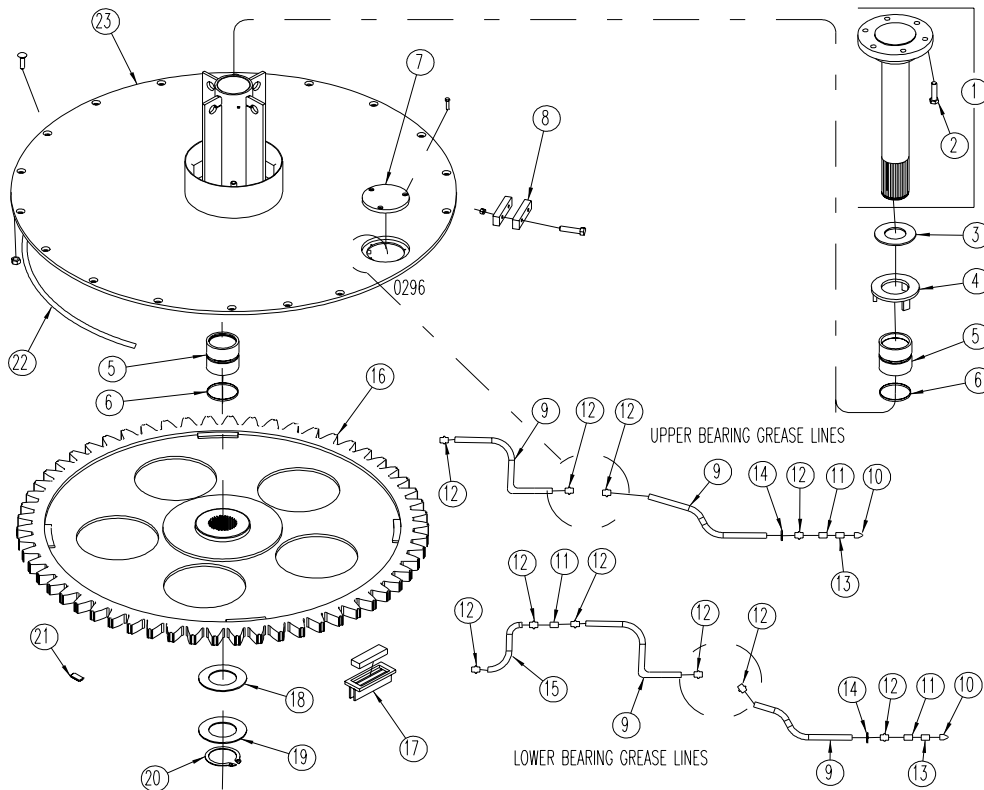
REF	PART NO	QTY*	DESCRIPTION
14	104-022	1	Bull Gear (5032)
	103-858	1	Bull Gear (5042 & 5055)
15	141-115	AR	Shim (1/4")
	141-116	AR	Shim (1/16")
16	174-777	1	Washer; 3/16" x 7" x 4 1/16" ID
17	171-989	1	Snap Ring; 4" External, Waldes 5100 series
18	174-769	2	Magnet
19	171-935	22**	Foam Rubber Seal; 3/8" x 3/4"
20	103-934	1	Front Tower; Mtg Hrd: 174-767 Plow Bolt, 5/8 x 2", LN (17EA) (5032)
	103-935	1	Rear Tower; Mtg Hrd: 174-767 Plow Bolt, 5/8 x 2", LN (17EA) (5032)
	104-019	1	Front Tower; Mtg Hrd: 174-767 Plow Bolt, 5/8 x 2", LN (17EA) (5042, 5055)
	104-020	1	Rear Tower; Mtg Hrd: 174-767 Plow Bolt, 5/8 x 2", LN (17EA) (5042, 5055)
21	174-807	2	Grommet, Rubber; 3/4" x 3/16" x 3/16" (Not Shown)

* : Qty shown is for 1 Tower Assy.

** : Sold By Linear Foot.

Auger Drive and Tower Assembly Parts - 5042 and 5055

Used on Units, Serial Number (5042-184 thru 5042-323 & 5055-115 and **Before**)



REF	PART NO	QTY*	DESCRIPTION
1	103-774	1	Auger Drive Shaft; 4" Dia
2	174-784	6	Stud, Wheel; 3/4" x 3 1/8"
3	140-618	1	Thrust Washer, Nylon; 1/4" x 4.06"ID x 7"OD
4	103-697 ^B	1	Thrust Plate
5	135-692	2	Bearing, Plastic; 4"ID x 5"
6	172-913	2	Quad-Ring Seal; 4"ID
7	141-127	1	Inspection cover; Mtg Hrd: 5/16" x 3/4" SSB (3EA)
8	140-722 ^A	2	Gear Guide, Top; Nylon; Mtg Hrd: 1/2" x 3 1/2" B, LN(2EA)
9	180-786**		Copper Grease Line; (Front Upper Auger 87" Rear Upper Auger 99") (Front Lower Auger 84" Rear Lower Auger 96") 30' 6" Total for unit.
	181-036***		Copper Grease Line; (Front Upper Auger 87" Rear Upper Auger 99") (Front Lower Auger 84" Rear Lower Auger 96") 30' 6" Total for unit.
10	170-865	2	Grease Zerk 1/8" NPT
11	172-024	3	Straight Adapter; 1/8" NPTF F x 1/8" NPTF F
12	173-583		Straight Adapter
	172-822 ^C	10	Straight Adapter; 3/16" Tube x 1/8" NPTF M
	175-344		Grommet, Rubber
	174-807 ^C	2	Grommet, Rubber; 3/4" x 3/16" x 3/16" (Not Shown)
13	174-762	2	Pipe Coupling; 1/8" STD NPT (weld on)
14	170-244	2	Washer, 3/8"

* : Quantity shown is for 1 Tower Assembly

** : Sold By Linear Foot.

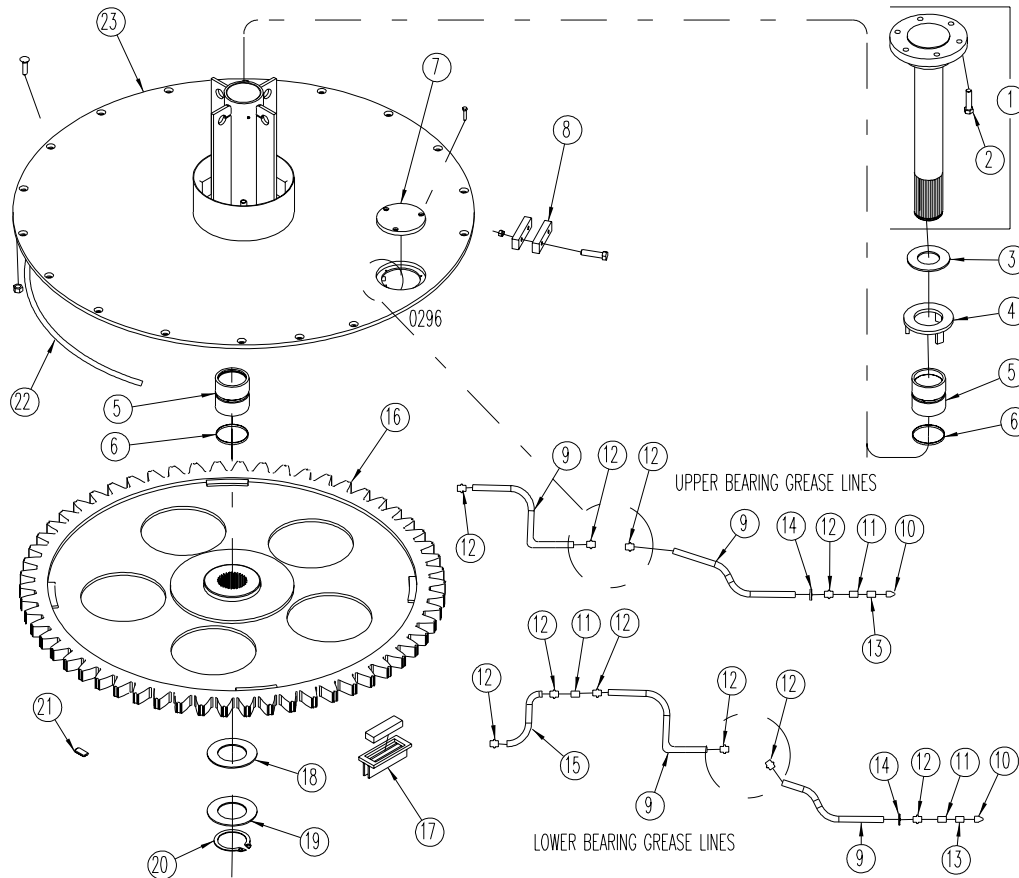
^A : Used on serial number before (5042-200) or with laminated bullgears.

^B : Used on serial number before (5042-268 & 5055-78)

^C : Used on serial number before (5032-167; 5042-93; 5055-38)

Auger Drive and Tower Assembly Parts - 5042 and 5055

Used on Units, Serial Number (5042-184 Thru 5042-323 & 5055-115 and **Before**)



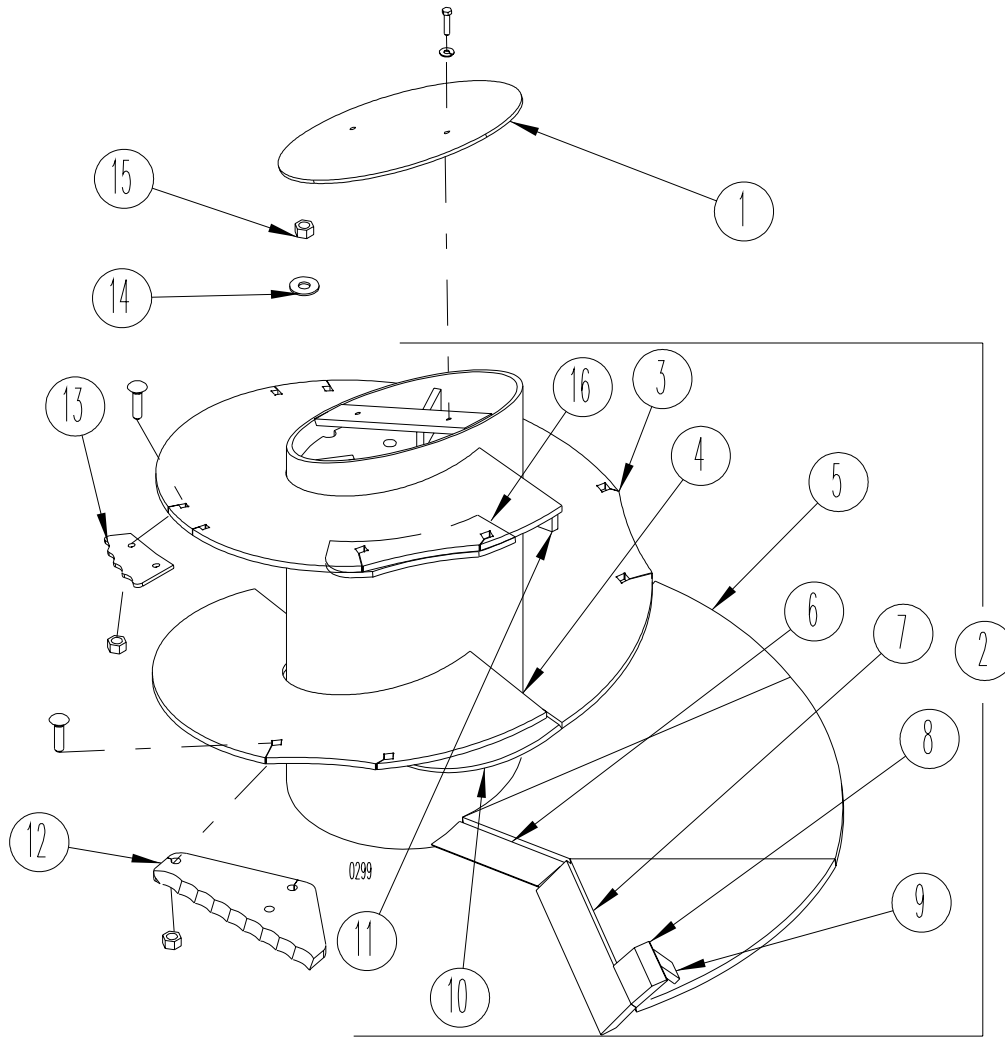
REF	PART NO	QTY*	DESCRIPTION
15	181-048	24 ^{***}	Stainless Steel Line; (12" EA)
16	103-858	1	Bull Gear
17	141-185 ^A	1	Gear Guide, Bottom; Nylon
18	141-115	AR	Shim (1/4")
	141-116	AR	Shim (1/16")
19	174-777	1	Washer; 3/16" x 7" x 4 1/16" ID
20	171-989	1	Snap Ring; 4" External, Waldes 5100 series
21	174-769	2	Magnet
22	171-935	22 ^{***}	Foam Rubber Seal; 3/8" x 3/4"
23	103-775	1	Front Tower; Mtg Hrd: 174-767 Plow Bolt, 5/8 x 2", LN (17EA)
	103-776	1	Rear Tower; Mtg Hrd: 174-767 Plow Bolt, 5/8 x 2", LN (17EA)

* : Qty shown is for 1 Tower Assy.

** : Sold By Linear Foot.

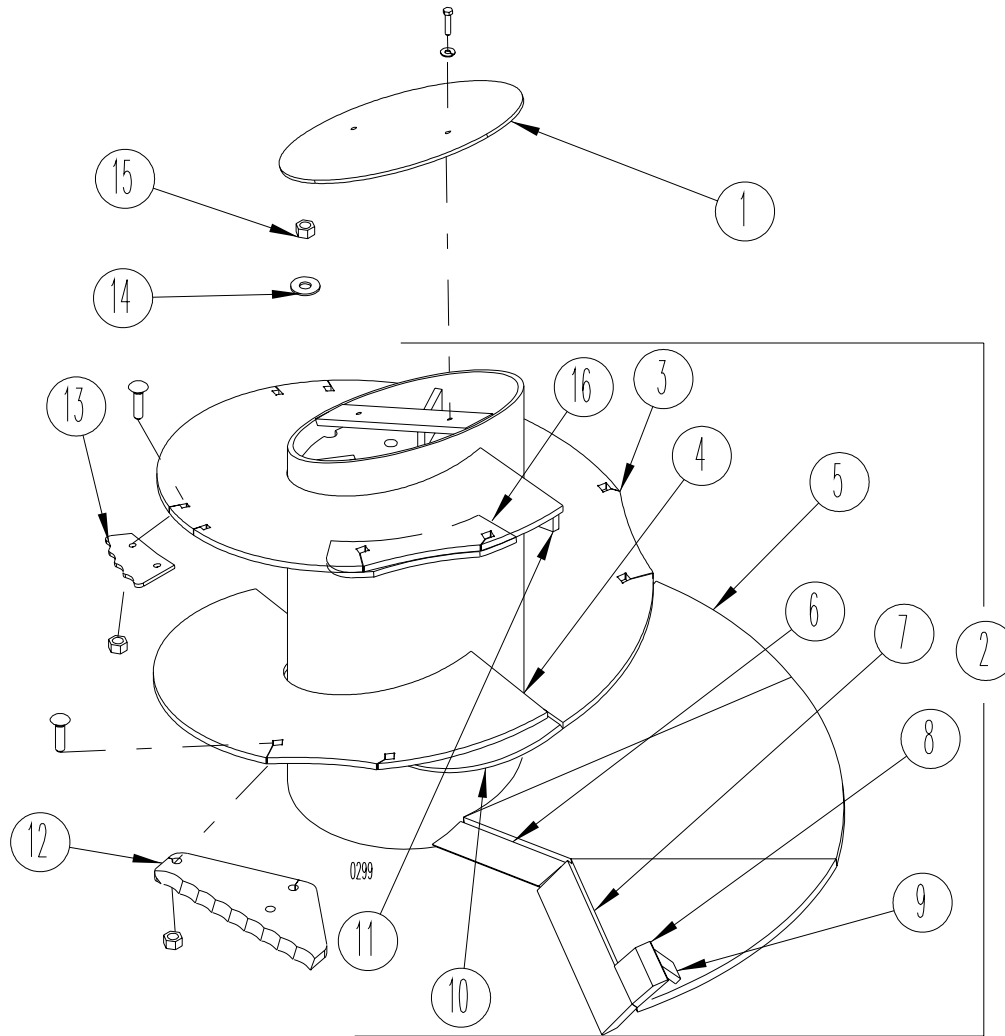
^A : Used on units serial numbers (5042-184 Thru 5042-199) or with laminated bullgears.

Auger Assembly Parts - 5032



REF	PART NO	QTY	DESCRIPTION
1	140-646	2	Auger Cover;Mtg hrd; 3/8" x 1 1/4" SSB(174-917), LW(2EA)
2	103-933	2	Auger Assembly
3	141-684	1	Top Flighting; 1/2" x 33" OD x 16" ID (weld on)
4	141-016	1	Middle Flighting; 1/2" x 33" OD x 16" ID (weld on)(Actual Req'd: 1/2 Piece)
5	141-673	1	Lower Flighting; 1/2" x 65"OD x 16"ID (weld on)
6	141-117	1	Filler Bar (weld on)
7	141-380	1	Leading Edge (weld on)
8	141-063	1	Sweeper Bar (weld on)
9	141-134	1	Sweeper Brace Bar (weld on)
10	141-019	1	Shark Tooth (weld on)
11	141-955	1	Upper Flighting Brace (weld on)
12	141-114	6	Knife; Mtg Hrd: 5/8" x 2" GRD5 C-bolt(175-110),FW,LN(170-031)(2EA)(8 MAX)
13	141-406	4	Knife,Scallop; Mtg Hrd:1/2" x 1 1/2" GRD5 C-bolt(174-918), LN(170-042) (2EA)
14	174-793	12	3/4" LW, External Tooth
15	170-920	12	Nut, Wheel; 3/4"
16	142-827	1	Flight Backer (Weld On)

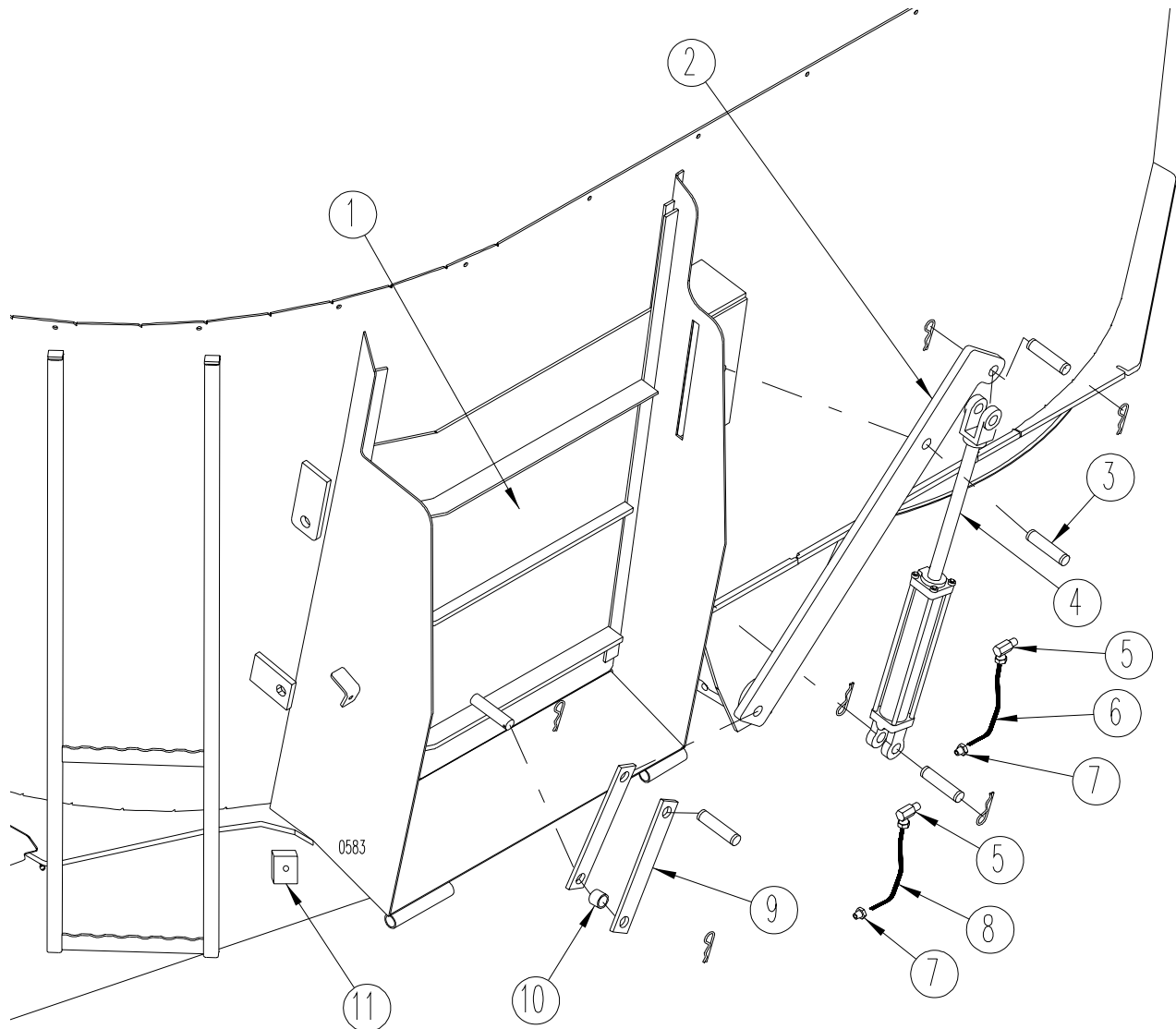
Auger Assembly Parts - 5042



REF	PART NO	QTY	DESCRIPTION
1	140-646	2	Auger Cover; Mtg hrd; 3/8" x 1 1/4" SSB, LW(2EA)
2	103-785	2	Auger Assembly
3	141-546	1	Top Flighting; 1/2" x 33" OD x 16" ID (weld on)
4	141-016	1	Middle Flighting; 1/2" x 33" OD x 16" ID (weld on)(Actual Req'd: 1/2 Piece)
5	141-014	1	Lower Flighting; 5/8" x 65"OD x 16"ID (weld on)
6	141-117	1	Filler Bar (weld on)
7	141-380	1	Leading Edge (weld on)
8	141-063	1	Sweeper Bar (weld on)
9	141-134	1	Sweeper Brace Bar (weld on)
10	141-019	1	Shark Tooth (weld on)
11	141-020	1	Upper Flighting Brace (weld on)
12	141-114	6	Knife; Mtg Hrd: 5/8" x 2" GRD5 C-bolt(175-110),FW,LN (2EA) (8 MAX QTY)
13	141-406	4	Knife,Scallop; Mtg Hrd:1/2" x 1 1/2" GRD5 C-bolt(174-918), LN (2EA)
14	174-793	12	3/4" LW, External Tooth
15	170-920	12	Nut, Wheel; 3/4"
16	142-827	1	Flight Backer (Weld On)

Door and Cylinder Parts - 5032, 5042 and 5055

Used on Units, Serial Number (5042-323,5055-88 and After)



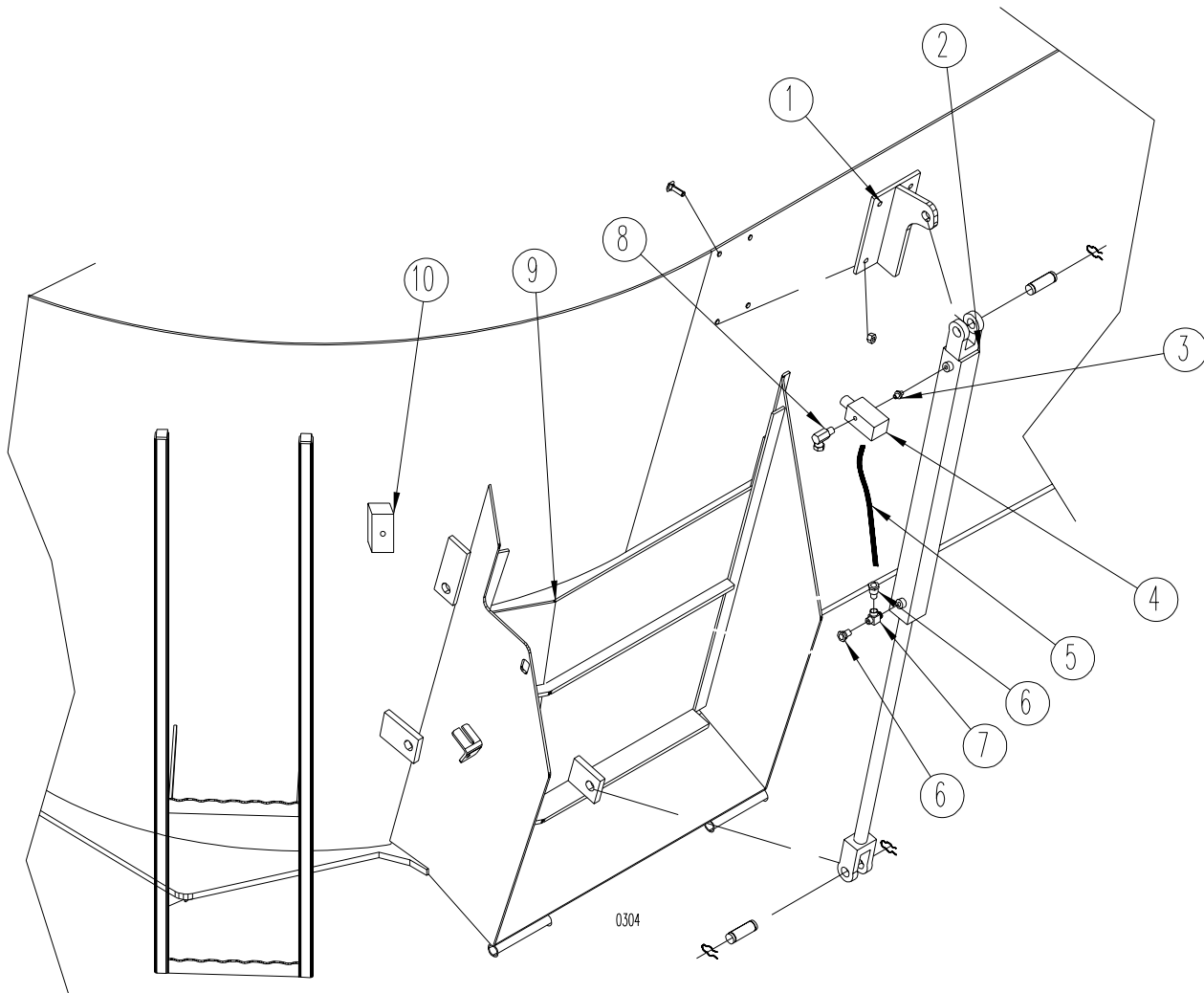
REF	PART NO	QTY	DESCRIPTION
1	103-928	1	Door Assembly
2	141-616	1	Linkage Arm
3	170-073	4	Pin, 1" Dia x 2-1/2"
4	173-567	1	Hydraulic Cylinder; 2 1/2" x 12" (Seal Kit 170-464)
5	171-030	2	Adapter, 3/8" x 90°
6	175-098	*104"	Hose, 1/4" x RL
7	173-646	2	Reducer Bushing
8	175-098	*86"	Hose, 1/4" x RL
9	141-423	2	Connector Bar
10	140-806	1	Spacer Tube
11	174-772	2	Clamp, Tube; 1/2" ID, Mtg Hrd: 5/16" Nut

* specify length when ordering

Kuhn Knight, Inc.
1501 West 7th Ave., Brodhead, WI 53520
701 Cherry Ave., Greeley, CO 80632

Door and Cylinder Parts - 5042 and 5055

Used on Units, Serial Number (5042-322 and **before, 5055-87 and before**)

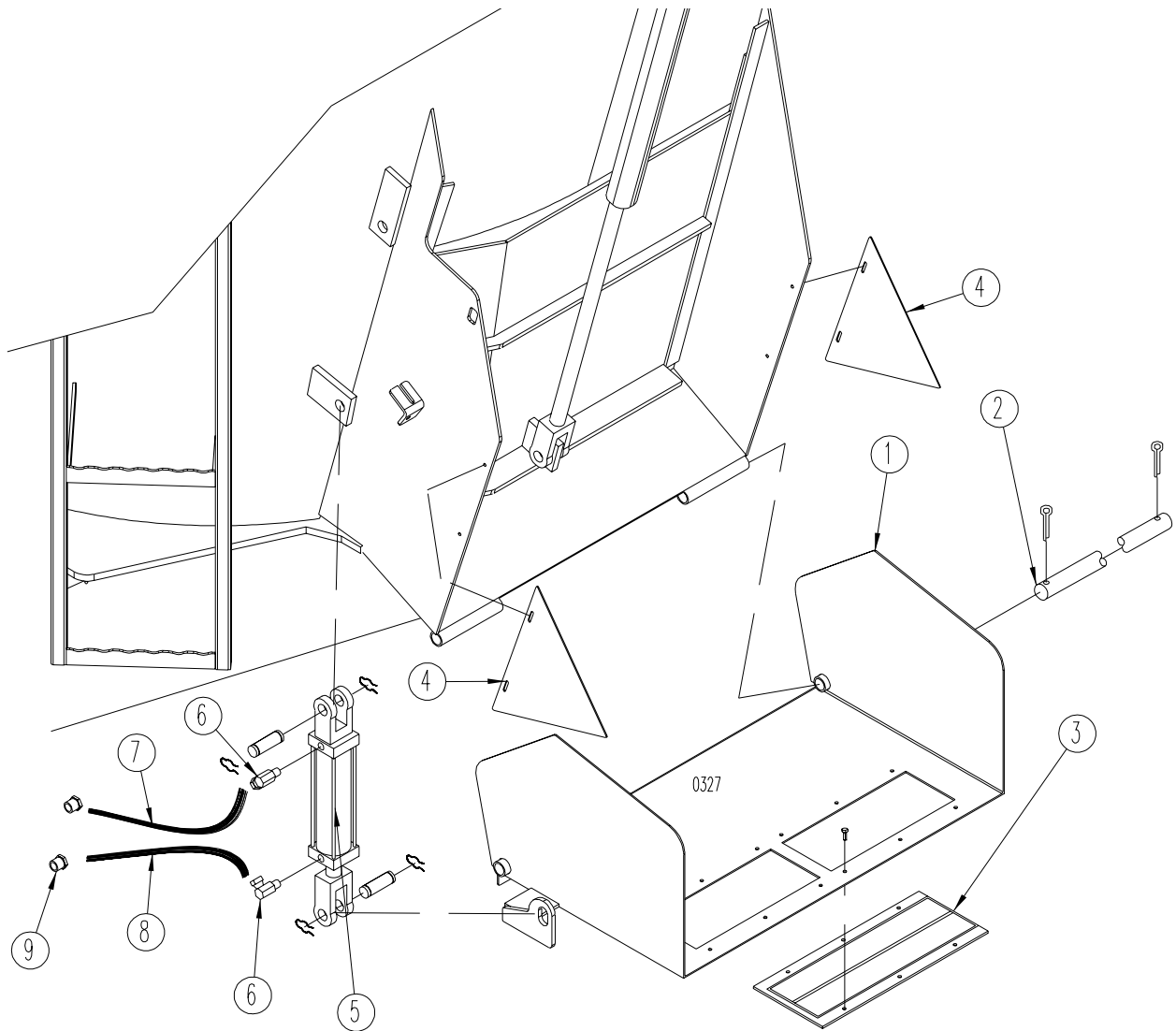


REF	PART NO	QTY	DESCRIPTION
1	103-777	1	Door Cylinder Mount; Mtg Hrd; 1/2" x 1 1/2" C-bolt, LW(4EA)
	140-626 ^A	1	Door Cylinder Mount; Mtg Hrd; 5/8" x 2" B, LN (2EA)
2	174-822 ^B	1	Hydraulic Cylinder; 2" x 30" (Seal Kit 174-823)
3	173-483	1	Straight Adapter
4	174-843	1	Relief Valve
5	171-202	1	Hydraulic Hose; 1/4" x 31 1/2"
6	170-233	2	Straight Adapter; Swivel
7	173-653	1	Tee Adapter
8	171-030	1	Adapter, 3/8" x 90°
9	103-787	1	Door Assembly
	103-673 ^A	1	Door Assembly
10	174-772	2	Clamp, Tube; 1/2" ID, Mtg Hrd: 5/16" Nut

^A:Used on Units Before Serial Number 5042-184

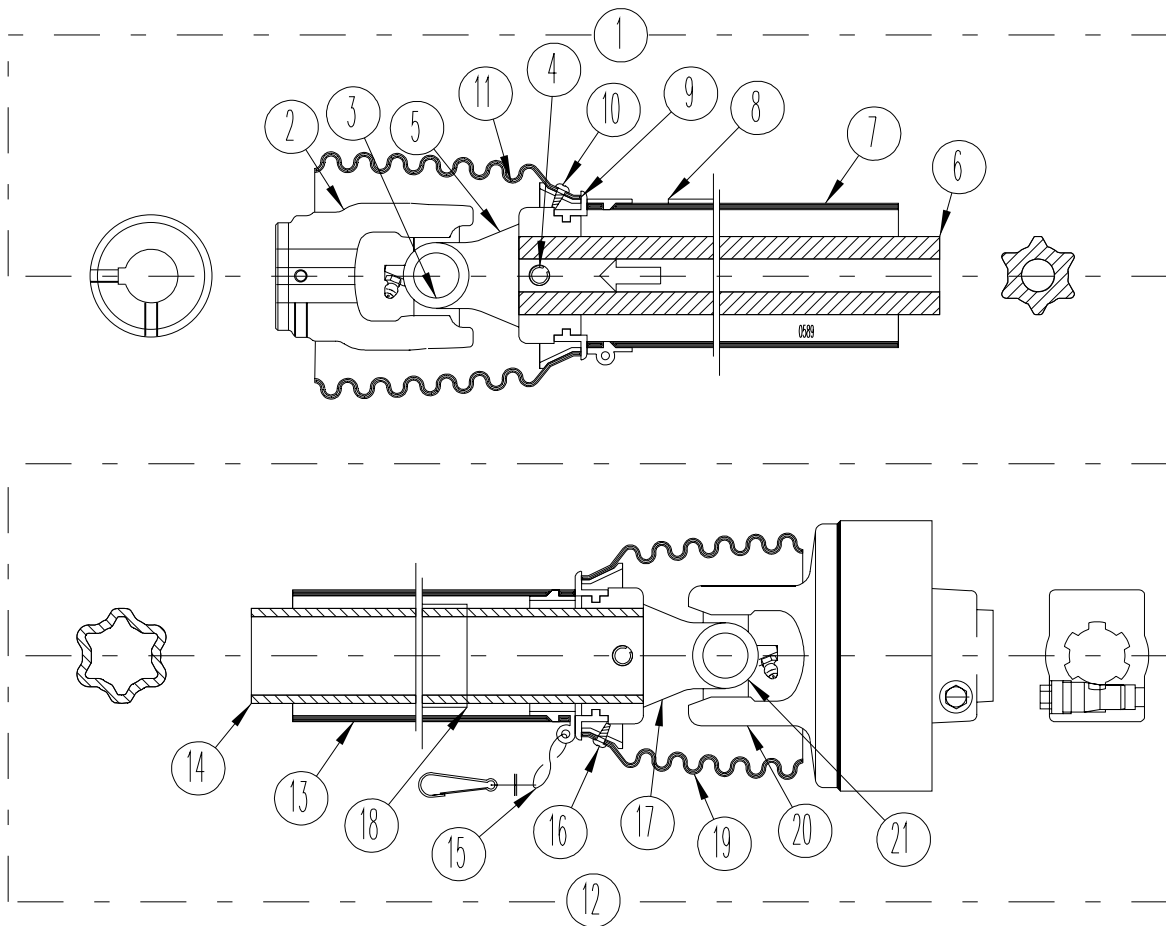
^B:Door Cylinders utilized before serial number 5042-131 had 1-1/8" rods and require seal kit #170-075

Slide Tray

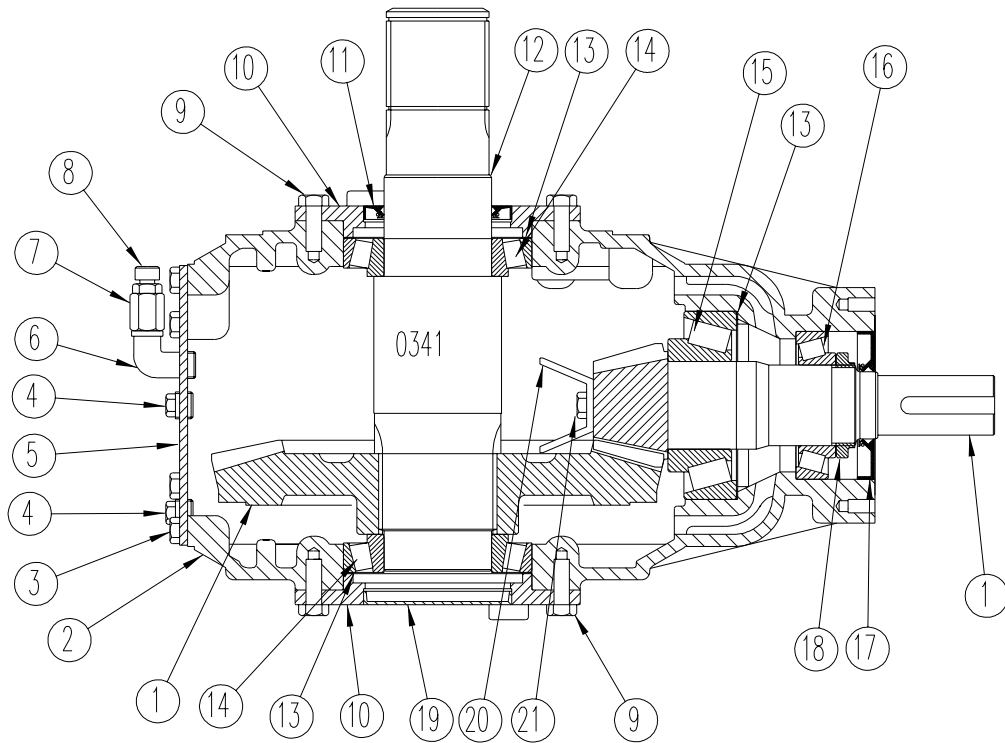


REF	PART NO	QTY	DESCRIPTION
1	103-731	1	Slide Tray Assembly
2	136-444	1	Pivot Rod, 7/8" x 39 1/2"; Mtg. Hrd: Cotter Pin 3/16" x 2" (2EA)
3	171-937	2	Magnet; Mtg. Hrd: 1/4" x 3/4" Truss Head Bolt, FW, LW (6EA)
4	140-824	2	Deflector Plate; Mtg. Hrd: 1/4" x 3/4" Truss Head Bolt,FW,LW (2EA)
5	173-270	1	Cylinder; 2" Dia x 8", (Seal Kit #170-075) 173-274 Pin,172-275 Hairpin
6	171-030	2	Swivel Connector; 3/8" x 90°
7	171-427	1	Hydraulic Hose, 1/4" x 82"
8	171-940	1	Hydraulic Hose, 1/4" x 64"
9	170-235	2	Fitting Reducer; 1/2" to 3/8"

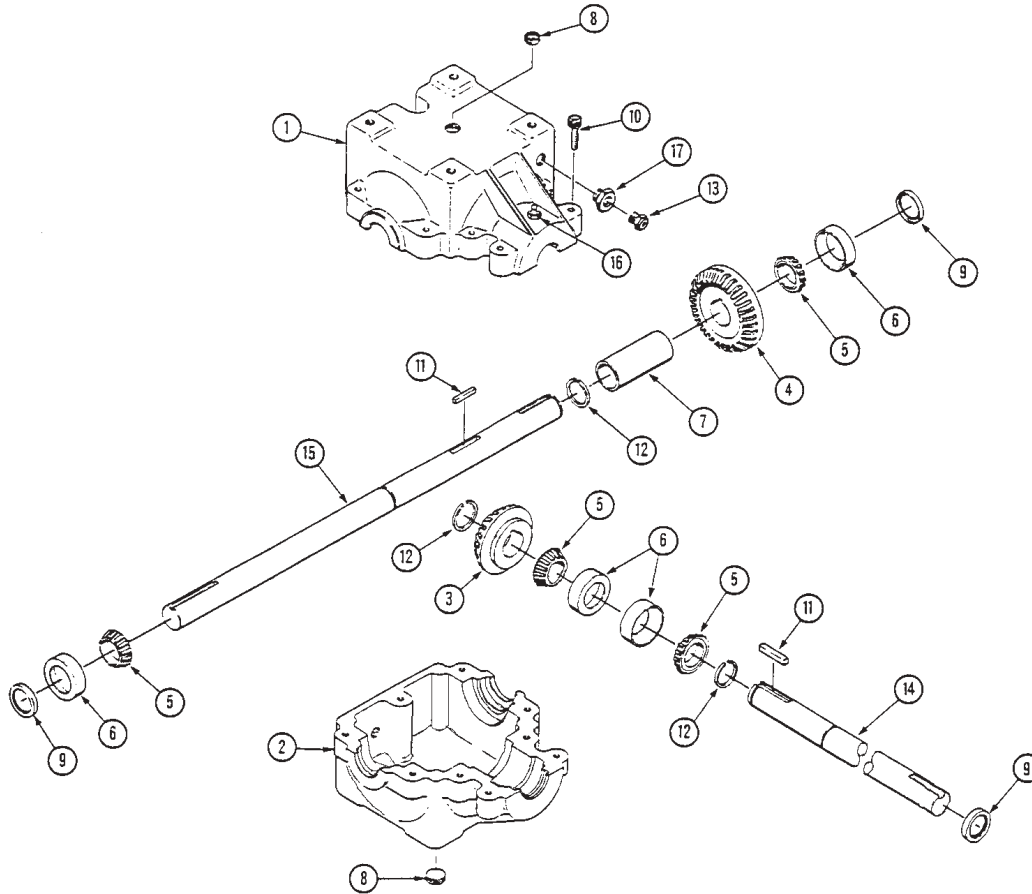
PTO Driveline (1000 RPM - 6 - Spline - 1 3/8 Yoke)



REF	PART NO	QTY	DESCRIPTION
	175-132		Complete PTO Assembly
1	175-157	1	Half Shaft
2	175-124	1	Yoke 1 3/4"RB, 1/2" KwY
3	174-909	1	Cross & Bearing Kit
4	174-994	1	Spring Pin 10 x 90
5	174-985	1	Inboard Yoke
6	175-136	1	Inner Profile
7	175-142	1	Outer Shield
8	171-550	1	Decal, Danger Keep Away
9	171-979	1	Bearing Ring
10	172-210	1	Screw
11	174-991	1	Shield Cone 7 Rib
12	175-158	1	Half Shaft
13	175-145	1	Inner Shield Tube
14	175-137	1	Outer Profile
15	172-040	1	Safety Chain
16	172-210	1	Screw
17	174-987	1	Inboard Yoke
18	171-799	1	Decal, Danger Shield
19	175-071	1	Shield Cone 6 Rib
20	175-070	1	Cut-Out Clutch
	174-966	1	Lock Bolt, Torqued to 75Ft. lbs (17mm 6pt Socket required)
21	174-909	1	Cross and Bearing Kit

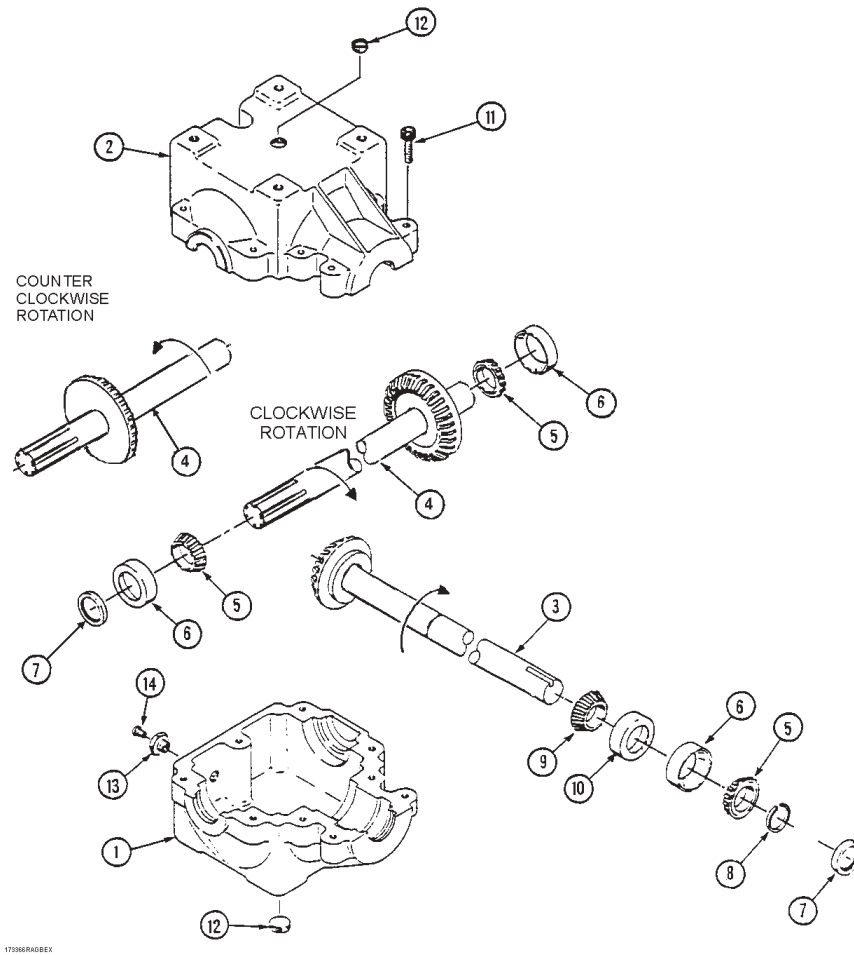
Gearbox Parts (Comer 4.25:1)

REF	PART NO	QTY	DESCRIPTION
	174-873	1	GEARBOX ASSEMBLY, 4.25:1
1	175-014	1	Gear, Bevel, Pinion set
2	175-015	1	Casting
3	175-016	10	Bolt, HEXHD, M10 x 22MM 8.8
4	174-904	2	Plug, 1/2" Gas
5	175-017	1	Cover
6	175-018	1	Elbow 90°, 1/2" Gas
7	175-019	1	Oil Plug Extension, 1/2" Gas
8	174-905	1	Oil Filler Plug, 1/2" Gas
9	175-020	16	Bolt, HEXHD, M12 x 35MM 8.8
10	175-021	2	Cover
11	175-022	1	Seal, Lip, 80MM x 110MM x 10MM
12	175-023	1	Shaft
13	175-024	3	Shim, 125.5 x 139.5
14	175-025	2	Bearing, 30216
15	175-026	1	Bearing, 32313
16	175-027	1	Bearing, 32212
17	175-028	1	Seal, Oil, 50MM x 110MM x 12MM
18	175-029	1	Nut, M60 x 2MM
19	175-030	1	Cap, 110MM x 10MM
20	175-031	1	Gearcase, Oil Slinger
21	175-032	1	Bolt, HEXHD, M10 x 25MM 8.8

Right Angle Gearbox (3 Shaft) (Superior Gearbox Co.)

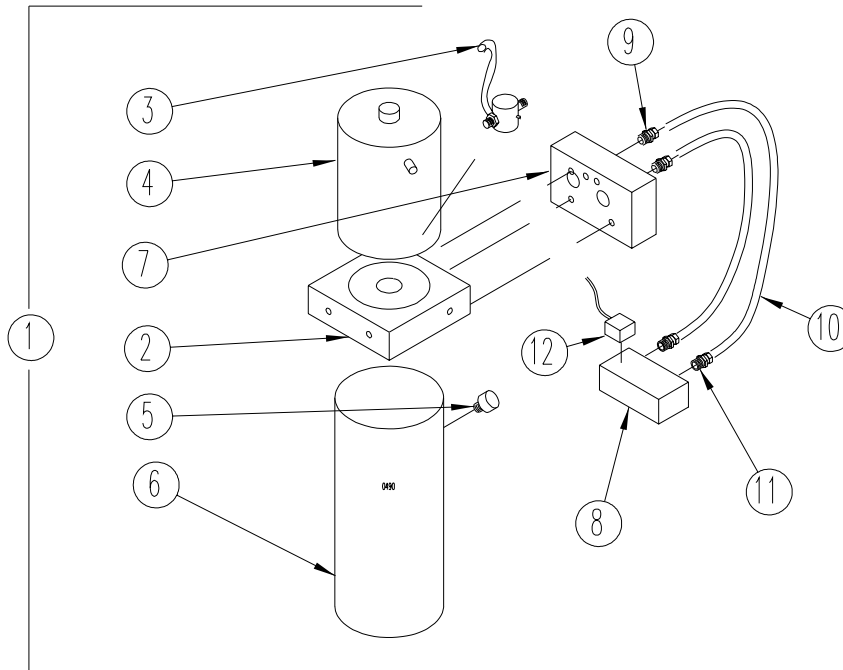
REF	PART NO	QTY	DESCRIPTION
	173-046	1	Gearbox Assembly Complete
1	173-123	1	Casting
2	173-124	1	Casting
3	173-127	1	Gear
4	173-128	1	Gear
5	170-545	4	Bearing Cone (<i>timken p/n 14137A</i>)
6	170-546	4	Bearing Cup (<i>timken p/n 14276</i>)
7	173-149	1	Spacer
8	173-152	2	Plug; 1/2" NPT SKHD HEX
9	173-141	3	Seal; 1-3/8" (<i>superior p/n 513569</i>)
10	173-153	9	Bolt; 3/8"-16 x 2.25 lg.
11	173-147	2	Key; 5/16" sq. x 1.2" lg.
12	173-144	3	Retaining Ring; 1-3/8"
13	170-679	1	Plug; Pressure Relief
14	173-137	1	Shaft; Pinion
15	173-138	1	Shaft; Cross
16	173-154	1	Grease Zerk; Spin Drive
17	173-151	1	Bushing; 1/4" NPT to 1/8" NPT

Right Angle Gearbox (2 Shaft) (Superior Gearbox Co.)



REF	PART NO	QTY	DESCRIPTION
	173-366	1	Gearbox Assembly Complete
1	174-703	1	Casting
2	174-704	1	Casting
3	174-705	1	Keyed Shaft Assembly
4	174-706	1	Splined Shaft Assembly (clockwise rotation)
	174-736	1	Splined Shaft Assembly (counterclockwise rotation)
5	170-545	3	Bearing Cone, (timken p/n 14137a)
6	170-546	3	Bearing Cup, (timken p/n 14276)
7	173-141	2	Seal; 1-3/8" (superior p/n 513569)
8	173-144	1	Retaining Ring; 1-3/8"
9	174-707	1	Bearing Cone, (timken p/n 25821)
10	174-708	1	Bearing Cup, (timken p/n 25877)
11	173-153	9	Bolt; 3/8"-16 x 2.25 lg.
12	173-152	2	Plug; 1/2" NPT SKHD HEX
13	173-150	1	Bushing; 1/2" NPT to 1/8" NPT
14	170-679	1	Plug; Pressure Relief

Hydraulic Pump Kit - 12 Volt



REF	PART NO	QTY	DESCRIPTION
1	174-529	1	Pump, Hydraulic 12 Volt; Mtg Hrd: 3/8" x 1" Bolt, Lw, Fw (2 ea) Haldex # 1261215
2	174-734	1	Pump, Replacement
3	174-536	1	Solenoid
4	174-535	1	Motor
5	174-537	1	Breather Cap
6	174-735	1	Reservoir
7	174-833	1	Adapter; Porting Block
8	175-374	1	Valve; 2 Spool (Bucher)
	174-195 ^A	1	Valve; 2 Spool w/PO check; Mtg Hrd; 3/8" x 1" B, Fw, Lw, Nut
	175-375	1	Valve; 3 Spool (Bucher)
9	175-521	2	Adapter, Straight; 3/4" SAE M ORB x 3/8" NPSM F SW
10	171-202	2	Hydraulic Hose, 1/4" x 31 1/2" LG
11	173-646	2	Adapter, Straight; 9/16" SAE M ORB x 3/8" NPSM F SW

Not Shown:

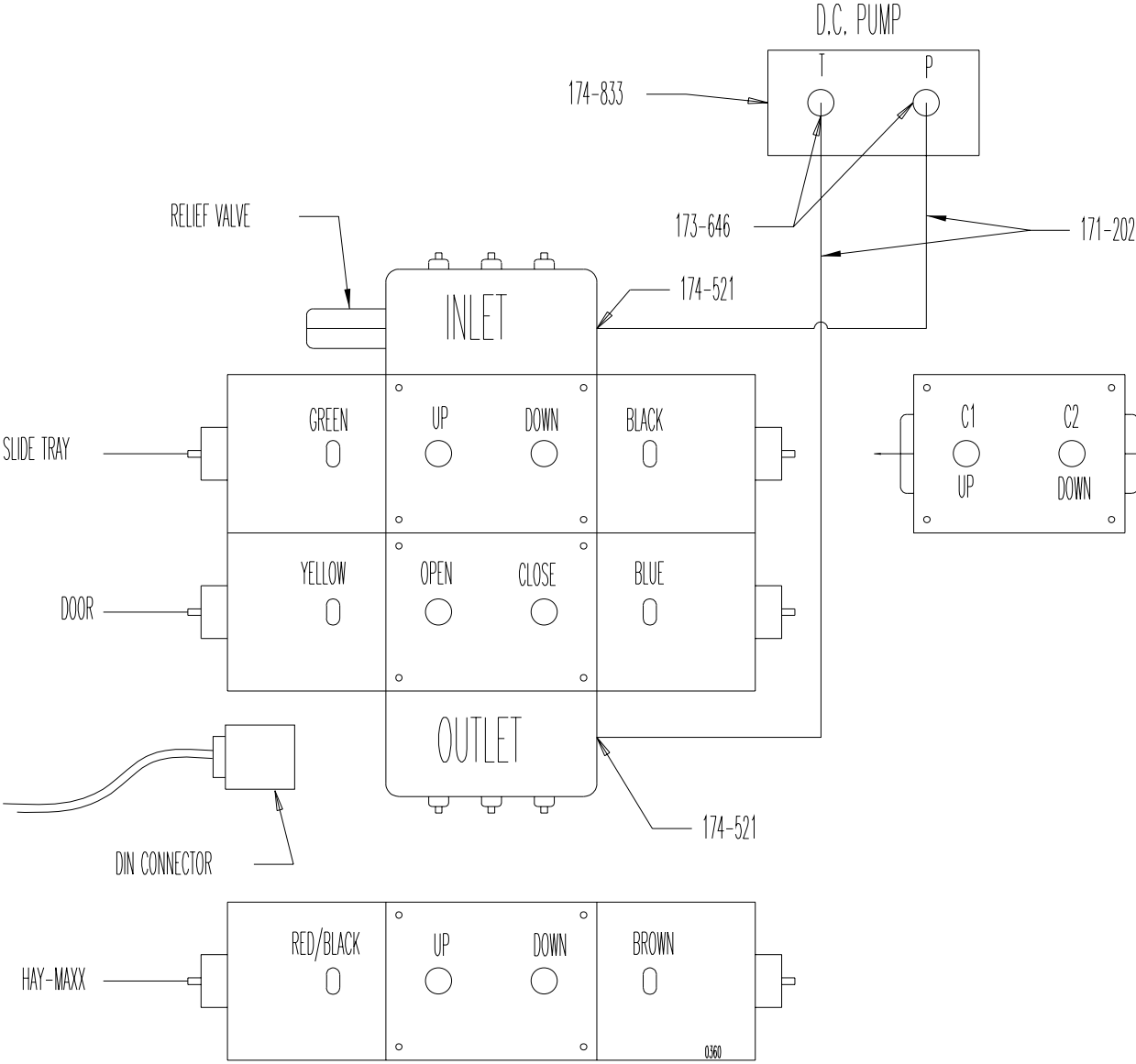
	103-643	1	Cable, 2 GA 192"
	174-715	2	Eyelet Connector
	180-302	16	2 Ga. welding wire
12	175-234	1	DIN Connector

Please specify pump manufacturer when ordering pump and valve parts.

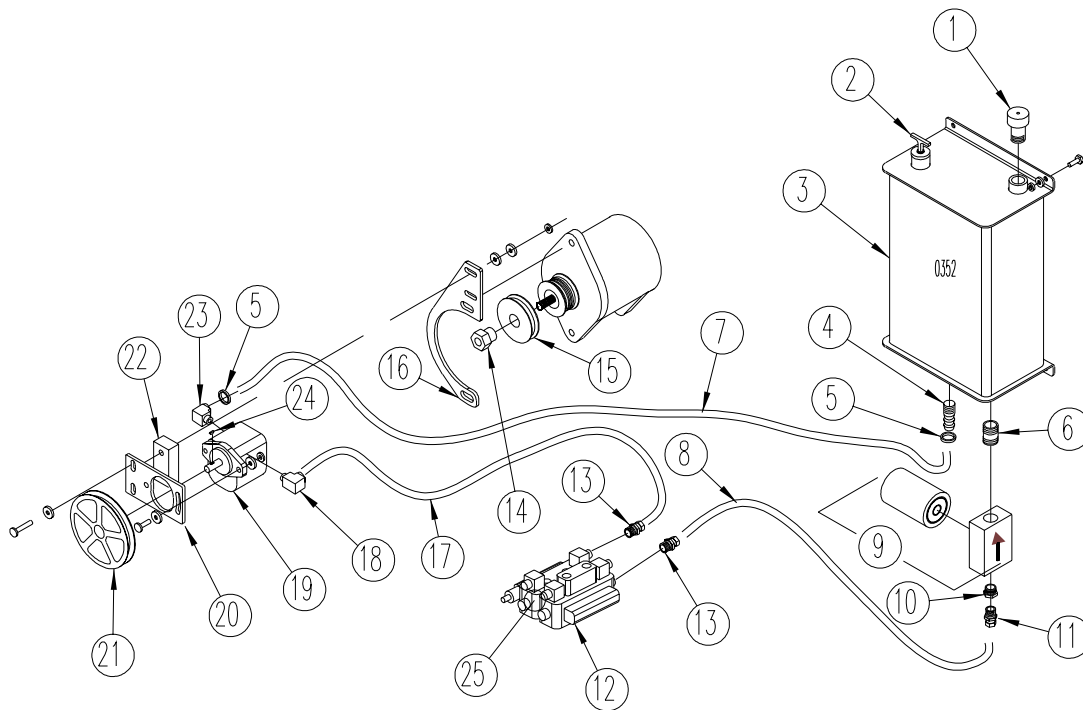
For pump replacement parts other than the ones shown contact Haldex or for a distributor near you at (815)-398-4400 You will need the pump model number and serial number to order parts.

A: Used on units built before March 2003

Hydraulic Pump and Valve Schematic



Hydraulic Pump Kit - Engine Driven

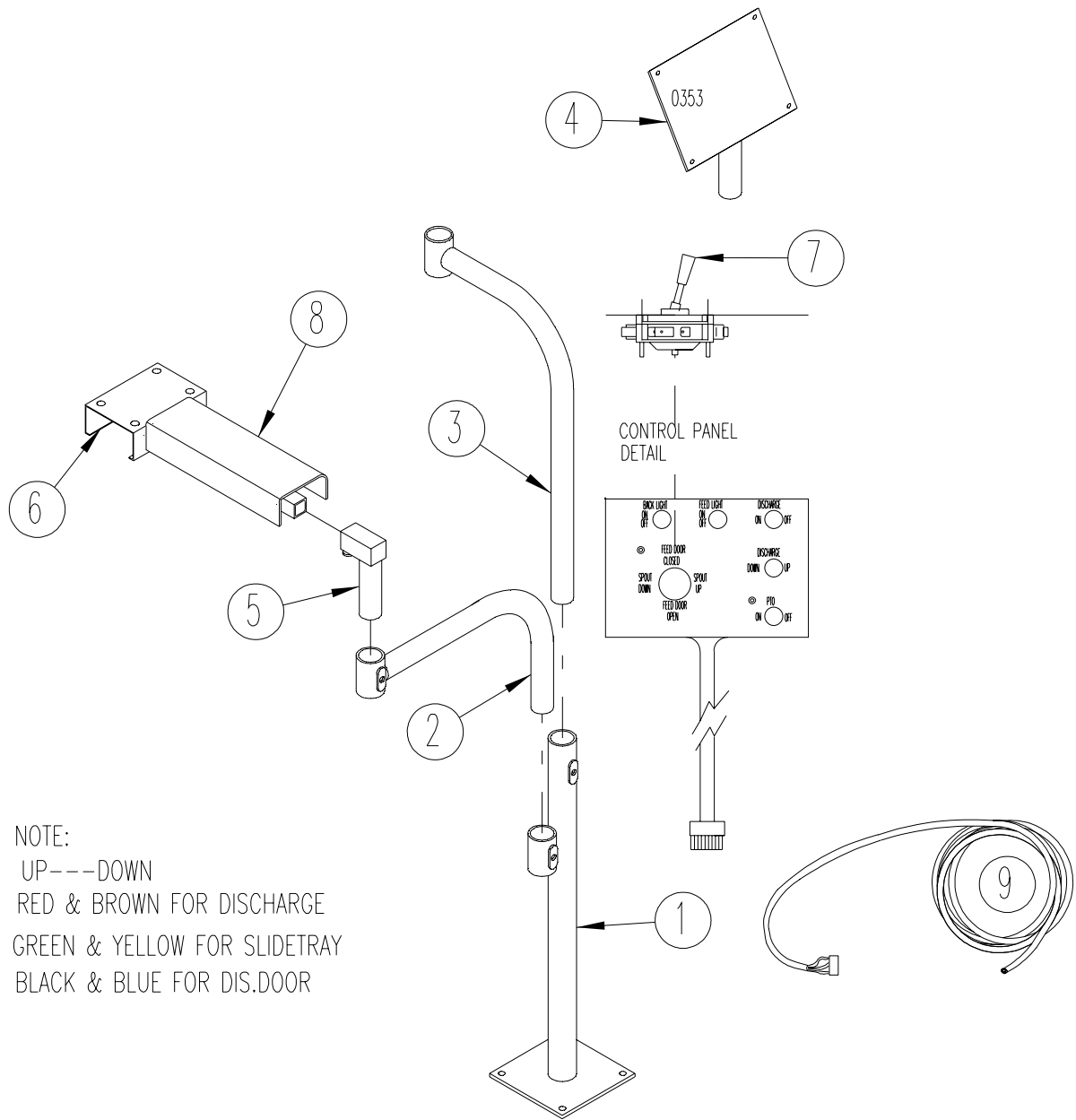


REF	PART NO	QTY	DESCRIPTION
1	173-787	1	Breather 1-1/2" Dia.
2	174-789	1	Dipstick
3	103-723	1	Reservoir
4	173-621	1	Adapter, Str 3/4"
5	173-650	2	Hose Clamp
6	174-818	1	Nipple
7	180-689*	11-1/2'	Hydraulic Hose
8	173-825	1	Hose, Assembly, 3/8" x 84"
9	173-618	1	Return Filter w/base
10	174-821	1	Bushing 1"
11	170-233	1	Adapter, Str, 3/8"
12	174-195	1	Valve, 2 spool with pilot operated check valve
13	173-646	2	Adapter, Str, 9/16"
14	140-821	1	Hexagon, Nut 1-1/4" x 1-3/8"
15	174-820	1	Pulley, 1 Groove
16	140-818	1	Plate, 1/4" x 5-5/16" x 12-1/4"
17	174-730	1	Hose, Assembly 3/8" x 183"
18	174-521	1	Adapter, Str, 3/4"
19	175-376	1	Hydraulic Pump (Bucher)
	174-817 ^A	1	Hydraulic Pump
20	140-820	1	Plate, 1/4" x 3-1/4" x 5-11/16"
21	140-948	1	Pulley, 1 Groove
22	140-819	1	Flat, 1" x 1-1/2" x 3-1/4"
23	171-668	1	Adapter, Str, 7/8"
24	173-485	1	Adapter, Str, 3/4"

* Sold by the linear foot

A: Used on units built before March 2003

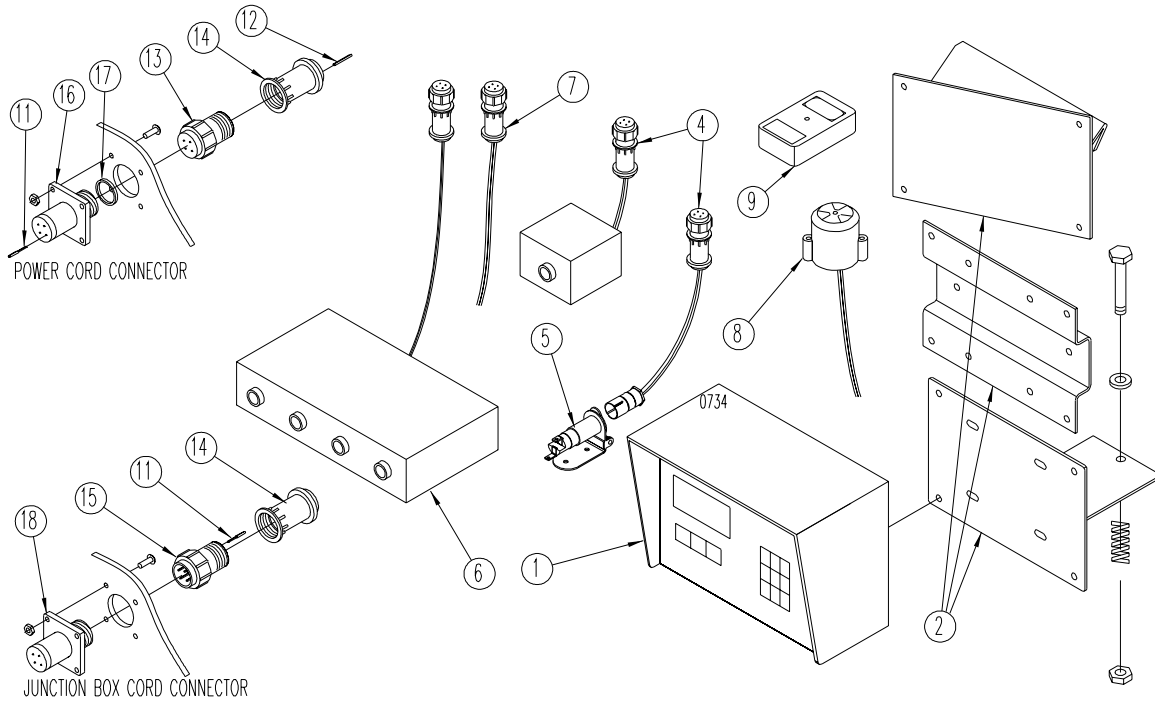
Indicator Mount and Joystick Controls



NOTE:
 UP---DOWN
 RED & BROWN FOR DISCHARGE
 GREEN & YELLOW FOR SLIDETRAY
 BLACK & BLUE FOR DIS.DOOR

REF	PART NO	QTY	DESCRIPTION
1	102-687	1	Indicator Stand; Mtg Hrd: 3/8" x 1 1/2"B, LW,N (4EA),FW (8EA) 5/16" x 3/4"B,N (2)
2	102-675	1	Arm Rest Adjustable Stand; Mtg Hrd: 5/16" x 3/4"B,N
3	102-688	1	Indicator Adjustable Stand; Mtg Hrd: 5/16" x 3/4"B,N
4	102-691	1	Indicator Mount
5	102-674	1	Arm Rest Stand; Mtg Hrd: 5/16" x 3/4"B,N
6	103-726	1	Arm Rest
7	174-810	1	Joystick Assembly
8	174-813	1	Arm Rest Pad (adhesive back)
9	174-811	1	Joystick Cable Assembly

Scale Parts



REF PART NO QTY DESCRIPTION

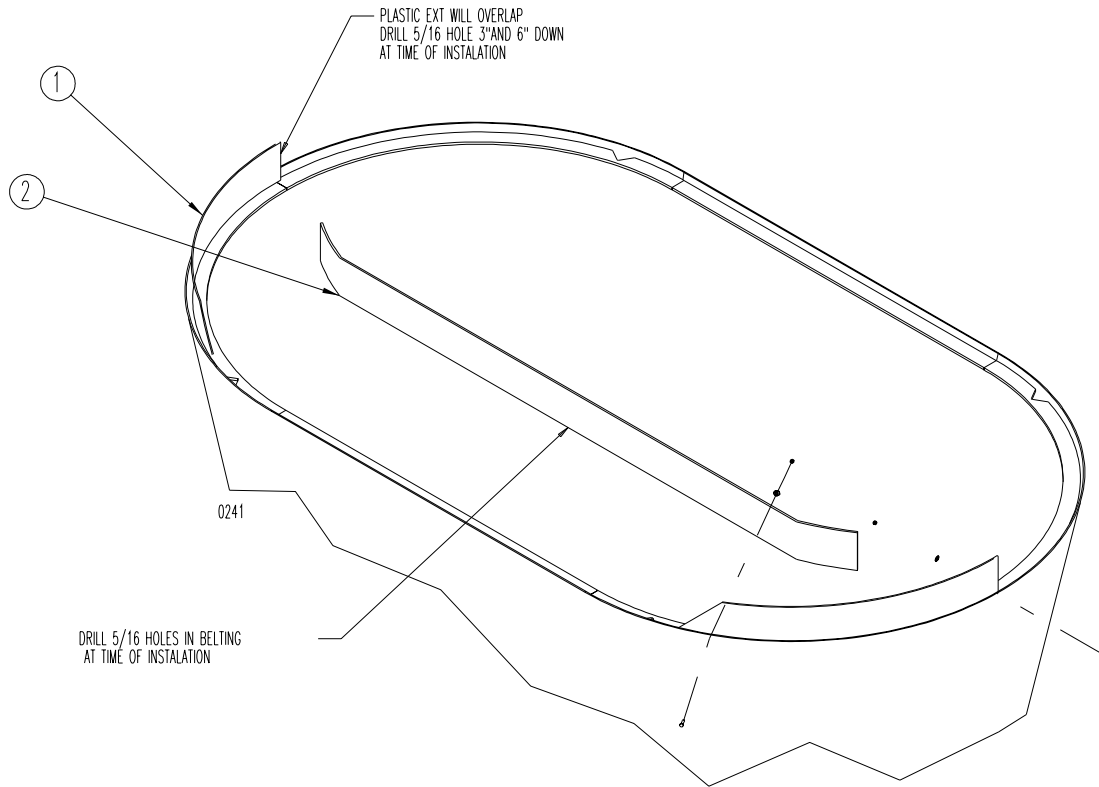
REF	PART NO	QTY	DESCRIPTION
1	172-128	1	Digi-Star Model EZ-2000 Basic Indicator, 1" high display
	172-800	1	Digi-Star Model EZ-2000V Indicator, 1.7" high display
	172-130	1	Digi-Star Model EZ-3200 Indicator, 1" high display
	174-501	1	Digi-Star Model EZ-3200 Indicator (serial port), 1" high display
	175-209	1	Digi-Star Model EZ-3200 Indicator (with rev counter and serial port), 1" high display
	172-500	1	Digi-Star Model EZ-3200V Indicator, 1.7" high display
	174-502	1	Digi-Star Model EZ-3200V Indicator (with serial port), 1.7" high display
	175-210	1	Digi-Star Model EZ-3200V Indicator (with rev counter and serial port), 1.7"high display
	175-211	1	Digi-Star Model EZ-3500 Indicator (with rev counter and serial port), 1" high display
	175-212	1	Digi-Star Model EZ-3500V Indicator (with rev counter and serial port), 1.7" high display
	172-803	1	Digi-Star RD 2000 Remote, 1" high display w/ 25' Cord
	172-801	1	Digi-Star RD 2000V Remote, 1.7" high display w/ 25'Cord
	172-804	1	Digi-Star RD 2000 T/R Remote, 1" high display w/ Transmitter & 25' Cord
	172-802	1	Digi-Star RD 2000V T/R Remote, 1.7" high display w/ Transmitter & 25' Cord
			Mtg Hrd for Digi-Star indicators: 1/4" x 3/4" Bolt, Flat washer, Lock washer & N (2 ea)
	173-225	1	Weigh-Tronix Model 615 Basic Indicator, 1" high display
	173-226	1	Weigh-Tronix Model 615XL Basic Indicator, 2" high display
	173-227	1	Weigh-Tronix Model 715 Indicator, 1" high display
	174-503	1	Weigh-Tronix Model 715 Indicator (serial port), 1" high display
	175-574	1	Weigh-Tronix Model 1040 Indicator, 1.1 high display (serial and remote ports)
	175-575	1	Weigh-Tronix Model 1040 Indicator, 2" high display(speed sensor & dual serial ports)
	175-576	1	Weigh-Tronix Model 1040 Indicator, (serial & remote ports) 2" high display
	175-577	1	Weigh-Tronix Model 1040 Indicator (speed sensor & dual serial ports), 1.1 high display
	175-045	1	Weigh-Tronix Model 2015 Indicator (with serial port), 1" high display
	174-505	1	Weigh-Tronix 712 Remote, 1" high display w/ 30' Cord
	174-506	1	Weigh-Tronix 712XL Remote, 2" high display w/ 30' Cord
	174-507	1	Weigh-Tronix 1012 Remote, 1" high display w/ 30' Cord
	175-074	1	Weigh-Tronix 1012XL Remote, 2" high display w/ 30' Cord
	175-578	1	Weigh-Tronix RD64 Remote, 1.1" high display w/ 30' Cord
	175-579	1	Weigh-Tronix RD64XL Remote, 2" high display w/ 30' Cord
	175-595	1	Weigh-Tronix RD125RF Wireless Remote, 1" high display w/ power cord

Scale Parts

REF	PART NO	QTY	DESCRIPTION
2	101-835	1	Indicator Mount Mtg Hrd: Spring (170-238) 3/8" x 2" Bolt, Flat washer & Lock nut
	134-409	1	Remote indicator mount, Mtg Hrd: 5/16" x 3/4" Bolt, Lock washer, Nut (2 ea)
	102-772	1	Angled remote indicator mount, Mtg Hrd: 5/16" x 3/4" Bolt, Lock washer, Nut (2 ea)
3	175-051	1	Digi-Star RD1000 remote mirror mount (not shown)
	175-052	1	Mirror mount for Digi-Star above (not shown)
	175-046	1	Weigh-Tronix 1012M remote mirror mount (not shown)
	175-582	1	Weigh-Tronix RD64M remote mirror mount (not shown)
	175-583	1	Mirror mount for Weigh-Tronix above (not shown)
	175-569	1	Digi-Star RD1000 Wireless remote, 1" high display w/ power cord (not shown)
	175-048	1	Digi-Star RF900 transceiver for above
	175-049	1	Replacement cable for RF900 transceiver (not shown)
	175-050	2	Magnet mount for above transceiver (not shown)
4	172-183	1	Power cord assy, stationary application or unit with revolution counter
	172-354	1	Power cord assy, trailer and truck application with out rev counter
	172-136	1	Power supply 120 VAC input, 4-6 AMP 13.8 VDC
5	170-415	1	Plug, tractor mount
6	103-052	1	Junction Box W/15' cable; #10 x 1" Sheet metal screw (2 ea)
	173-156	1	15' Replacement junction box cable
	172-166	1	10' Junction box extension cable (not shown)
	172-165	1	30' Junction box extension cable (not shown)
7	174-719	1	Digi-Star Remote indicator cord (not shown)
	174-003	1	Digi-Star dual remote cable (not shown)
8	101-917	1	Digi-Star Alarm horn assembly Mtg Hrd: #6 x 3/4" Bolt, Lock washer, Nut (2 ea)
	101-918	1	Weigh-Tronix Alarm horn assembly Mtg Hrd: #6 x 3/4" Bolt, Lock washer, Nut (2 ea)
9	172-143	1	Digi-Star D-22A hand held transmitter (Installed Receiver is Required)
	174-926	1	Digi-Star DXT-21 hand held transmitter (Installed Receiver is Required)
	172-350	1	Weigh-tronix hand held transmitter (Installed Receiver is Required)
10	175-626	1	Weigh-Tronix printer (not shown)
	175-627	1	Weigh-Tronix printer data cord (not shown)
	175-628	1	Weigh-Tronix printer paper 1 roll (not shown)
	174-000	1	Digi-Star printer (not shown)
	174-002	1	Digi-Star printer power cord (not shown)
	174-001	1	Digi-Star printer data cord (not shown)
	174-004	1	Digi-Star printer paper 1 roll (not shown)
11	173-211	4	Contact pin
12	173-212	4	Contact socket
	173-216	1	Pin extraction tool (not shown)
13	173-213	1	Power cord connector
	174-923	1	Nut, connector
14	173-214	1	Strain relief
15	173-215	1	Junction box cord connector
	174-923	1	Nut, connector
16	173-217	1	Power connector chassis
17	173-218	1	Seal for power connector chassis
18	173-219	1	Load cell connector chassis
19	171-158	1	Battery box (not shown)
20	171-380	2	Battery terminals (not shown)
21	171-936	1	Battery hold-down strap (not shown)
22	132-988	1	16 Ga. Ground (not shown)
23	172-386	1	Precision calibrator for scale indicators (not shown)
24	171-960	1	Cord splice kit (not shown)

Refer to subframe or undercarriage mounting section for weigh bars or load cells for your specific application.

Side Extensions and Hay Retention Options



REF	PART NO	QTY	DESCRIPTION
-----	---------	-----	-------------

Side Extensions

1	141-945	4	Plastic Side Retention; Mtg; Hrd; 5/16" x 1 1/2" B, 5/16 x 1 1/4" B(5EA), 3/8" Heavy FW (6EA), FLN(6EA)
2	181-043	15'*	Rubber Belting, 5032; 3/8" x 8", Mtg; Hrd: 5/16" x 1 1/4" B,(9EA), 3/8" FW(10EA), FLN(9EA) (7 1/2' per side)
	181-043	16'*	Rubber Belting, 5042; 3/8" x 8", Mtg; Hrd: 5/16" x 1 1/4" B,(10EA), 3/8" FW(12EA), FLN(10EA) (8' per side)
	181-043	19'*	Rubber Belting, 5055; 3/8" x 8", Mtg; Hrd: 5/16" x 1 1/4" B (12EA), 3/8" FW(14EA), FLN(12EA) (9 1/2' per side)

Hay Retention

1	140-788	4	Plastic Side Extension, 5042; Mtg; Hrd; 5/16" x 1 1/2" B, 5/16 x 1 1/4" B(5EA), 3/8" FW (7EA), FLN(6EA)
	140-789	4	Plastic Side Extension, 5055; Mtg; Hrd; 5/16" x 1 1/2" B, 5/16 x 1 1/4" B(5EA) ,3/8" FW (7EA), FLN(6EA)
2	181-043	20'*	Rubber Belting, 5042; 3/8" x 8", Mtg; Hrd: 5/16" x 1 1/4" B,(10EA), 3/8" FW(12EA), FLN(10EA) (10' per side)
	181-043	23'*	Rubber Belting, 5055; 3/8" x 8", Mtg; Hrd: 5/16" x 1 1/4" B (12EA), 3/8" FW(14EA), FLN(12EA) (11 1/2' per side)

* Sold by the linear foot

Decal and Paint List

The following decals are listed below for your convenience.
Use the operator's manual for decal location and part number ordering.

PART NUMBER	QTY	DESCRIPTION
Contact factory		Complete Decal Set (5032)
174-779	1	Complete Decal Set (5042)
174-782	1	Complete Decal Set (5055)
170-849	2	WARNING, Stay Clear Of Power Driven Parts
171-712	1	Retighten Setscrews...
171-820	2	DANGER, Rotating Auger Inside
171-911	1	CAUTION, Operating Precautions
171-913	1	WARNING, Do Not Operate Unless Shields Are In Place
171-947	2	DANGER, Do Not Hand Load
174-686	2	Red Reflector
172-820	1	CAUTION, Lifting Instructions
174-792	1	Notice: Upon Initial Use...
173-044	1	Made in Wisconsin
173-448	8'	Black Stripe
174-808	1	Door Gauge
174-514	2	Kuhn Knight
174-799	2	Verti-Maxx
175-225	2	5032
174-785	2	5042
174-913	2	5055
174-844	1	NOTICE, Check Oil
174-924	1	Lift Points Inside
175-151	1	NOTICE, Failure to use Kuhn Knight knives...
175-156	1	Important Auger
175-230	1	Patent, Vertical Mixers

Power Chute and Slid Tray Decals:

171-914	2	WARNING, Stay Clear of Chute...
174-687	1	Amber Reflector
174-686	1	Red Reflector
173-078	1	Danger, Shield Missing

PTO Driveline Decals:

171-550	1	DANGER - Rotating Driveline
171-799	1	DANGER - Shield Missing

Paint:

170-366	Kuhn Knight Yellow - Aerosol Can
170-812	Kuhn Knight Yellow - Quart Can
170-813	Kuhn Knight Yellow - Gallon Can

Hardware Part Number Listing

All fasteners are NC thread, Grade 5 unless otherwise specified.

HEX HEAD BOLTS

Size	Part No	1/2 x 1-1/2	170-002	3/4 x 7 UNF	173-747
1/4 x 1/2	173-279	1/2 x 1-1/2 (Grade 8)	172-951	3/4 x 7-1/2	175-004
1/4 x 3/4	170-803	1/2 x 1-3/4	171-774	3/4 x 8	173-509
1/4 x 7/8	171-094	1/2 x 2	171-802	7/8 x 2-1/4	172-892
1/4 x 1	170-310	1/2 x 2-1/4	172-387	7/8 x 3	172-002
1/4 x 1-1/2	170-068	1/2 x 2-1/2	170-885	7/8 x 3-1/2	173-020
1/4 x 2	172-986	1/2 x 2-1/2 (Full thread)	171-099	7/8 x 4	173-299
1/4 x 2 (Grade 8)	175-073	1/2 x 2-3/4	172-007	7/8 x 4 UNF	171-092
1/4 x 2-3/4	171-203	1/2 x 3	170-168	7/8 x 6-1/2	173-774
1/4 x 3	171-403	1/2 x 3-1/2	170-167	7/8 x 7	173-749
1/4 x 3-1/2	173-640	1/2 x 3-1/2 (Grade 8)	172-950	7/8 x 7 UNF	174-097
1/4 x 4	173-505	1/2 x 4	173-111	7/8 x 8	173-750
5/16 x 5/8	170-532	1/2 x 4 (Full thread)	171-509	7/8 x 8 UNF	173-515
5/16 x 3/4	170-262	1/2 x 5	171-412	1 x 3-1/2	173-021
5/16 x 3/4 (Stainless steel)	174-787	1/2 x 6	173-506	1 x 4	175-119
5/16 x 7/8	170-256	1/2 x 6 (Grade 8)	174-944	1 x 4 (Grade 8)	175-248
5/16 x 1	170-027	1/2 x 6-1/2	173-711	1 x 7 UNF	173-516
5/16 x 1-1/4 (Full thread)	170-188	1/2 x 7	174-328	1 x 8	174-723
5/16 x 1-1/2	170-372	1/2 x 7-1/2	175-107	1 x 8 (Grade 8) UNF	173-713
5/16 x 1-3/4	170-263	1/2 x 8-1/2	170-504	1-1/4 x 4-1/2 (Grade 8)	175-003
5/16 x 2	172-987	1/2 x 11	170-506	M8 x 16MM (Grade 8.8)	174-610
5/16 x 2-1/2	170-369	9/16 x 1	173-699	M8 x 20MM (Grade 8.8)	175-193
5/16 x 3	170-295	9/16 x 1-1/4	173-700	M8 x 25MM (Grade 8.8)	174-900
5/16 x 3-1/4	171-639	9/16 x 1-1/2	173-701	M10 x 22MM (Grade 8.8)	175-016
5/16 x 3-1/2	173-748	9/16 x 2	172-219	M10 x 25MM (Grade 8.8)	173-344
5/16 x 4	170-293	5/8 x 1	171-087	M12 x 25MM (Grade 8.8)	171-566
5/16 x 4-1/2	170-294	5/8 x 1-1/4	171-366	M12 x 35MM (Grade 8.8)	175-020
5/16 x 5 (Grade 8)	172-983	5/8 x 1-1/2	170-153	M12 x 40MM (Grade 12.9)	175-190
5/16 x 5-1/2 (Grade 8)	172-952	5/8 x 1-3/4 (Full thread)	170-030	M12 x 45MM (Grade 10.9)	174-911
3/8 x 3/4	170-439	5/8 x 2	170-009	M14 x 30MM (Grade 8.8)	173-518
3/8 x 3/4 (Stainless steel)	174-788	5/8 x 2 (Full thread)	171-772	SELF TAPPING SCREW	
3/8 x 7/8	170-268	5/8 x 2-1/4	173-009	1/4 x 3/4	174-874
3/8 x 7/8 (soc. hd.capscrew)	172-044	5/8 x 2-1/2	172-381	CARRIAGE BOLTS	
3/8 x 1	170-054	5/8 x 2-1/2 (Full thread)	170-129	1/4 x 1-1/4 (Grade 2)	170-311
3/8 x 1-1/4	170-005	5/8 x 2-3/4	172-356	1/4 x 1-1/2 (Grade 2)	170-355
3/8 x 1-1/4 (Stainless steel)	174-917	5/8 x 3	170-258	1/4 x 2 (Grade 2)	170-299
3/8 x 1-1/2	170-368	5/8 x 3-1/2	170-038	1/4 x 2-1/2 (Grade 2)	171-394
3/8 x 1-3/4	172-383	5/8 x 4	170-371	1/4 x 2-3/4 (Grade 2)	170-508
3/8 x 2	170-245	5/8 x 4-1/2	170-067	1/4 x 3	170-509
3/8 x 2-1/4	170-320	5/8 x 5	170-065	5/16 x 1 (Grade 2)	170-370
3/8 x 2-1/2	170-257	5/8 x 5-1/2	172-421	5/16 x 1-1/2 (Grade 2)	170-296
3/8 x 2-1/2 (Full thread)	170-128	5/8 x 6	170-381	5/16 x 2-1/2 (Grade 2)	171-395
3/8 x 2-1/2 (Lag)	171-775	5/8 x 6-1/2	173-777	5/16 x 5-1/2 (Grade 2)	170-494
3/8 x 3	170-380	5/8 x 7-1/2	173-019	3/8 x 3-1/2 (Grade 2)	171-283
3/8 x 3-1/2	170-292	5/8 x 9-1/2	171-039	3/8 x 4-1/2 (Grade 2)	170-191
3/8 x 4	170-877	3/4 x 1-1/2	173-507	3/8 x 5 (Grade 2)	170-495
3/8 x 4-1/4 (Black oxide)	171-813	3/4 x 2	171-768	3/8 x 6-1/2 (Grade 2)	171-174
3/8 x 4-1/2	170-519	3/4 x 2 (Full thread)	170-058	3/8 x 8 (Grade 2)	170-297
3/8 x 5	170-493	3/4 x 2 (Grade 8)	171-877	3/8 x 13 (Grade 2)	170-298
3/8 x 5-1/2	174-196	3/4 x 2-1/4	171-275	3/8 x 13-1/2 (Grade 2)	170-300
3/8 x 5-1/2 (Full thread)	170-593	3/4 x 2-1/2	170-374	1/2 x 1-1/2 (Grade 5)	174-918
3/8 x 6	174-304	3/4 x 2-1/2 (Grade 8)	175-055	1/2 x 6-1/2 (Grade 2)	171-098
3/8 x 6-1/2	171-291	3/4 x 3	170-014	1/2 x 9 (Grade 2)	171-255
3/8 x 7	172-587	3/4 x 3 UNF	173-776	5/8 x 2	175-110
7/16 x 3/4	170-265	3/4 x 3-1/2	170-195	5/8 x 2-1/2 (Grade 5)	174-790
7/16 x 1	170-032	3/4 x 3-1/2 (Grade 8)	171-899	PLOW BOLTS	
7/16 x 1-1/4	170-354	3/4 x 4	170-419	5/8 x 2	174-767
7/16 x 1-1/4 (Grade 8)	174-216	3/4 x 4 (Grade 8) UNF	173-579	3/4 x 2-1/2	174-948
7/16 x 1-1/2	170-059	3/4 x 4-1/2	170-846	TRUSS HEAD BOLTS	
7/16 x 2	170-356	3/4 x 4-1/2 (Grade 8)	173-039	#6-32 x 3/4	172-416
7/16 x 2-1/2	170-379	3/4 x 4-1/2 (Grade 8) UNF	173-588	#6-32 x 1	173-079
7/16 x 3	170-270	3/4 x 5	173-508	#8-32 x 1-1/2	171-210
7/16 x 5-1/2	170-377	3/4 x 5 UNF	173-510	#10-32 x 3/4	171-604
7/16 x 6	170-378	3/4 x 5-1/2 (Grade 8) UNF	173-514	#10-32 x 1	172-882
1/2 x 3/4	171-252	3/4 x 6	171-116	1/4 x 3/4	170-193
1/2 x 1	170-149	3/4 x 6 UNF	173-511	1/4 x 1	170-194
1/2 x 1-1/4	170-373	3/4 x 6 (Grade 8)	173-231	5/16 x 1	170-117
		3/4 x 7	173-745		

Hardware Part Number Listing

SET SCREWS (Socket Head)(Cup Point)	3/4 (Grade 8) UNF	173-578	COTTER PINS
1/4 x 1/4	7/8	173-069	1/16 x 1/2
1/4 x 5/8	7/8 UNF	171-093	3/32 x 3/4
5/16 x 1/4	1	174-928	1/8 x 1
5/16 x 5/16	1 UNF	170-527	1/8 x 1-1/4
5/16 x 5/16 UNF	M45 x 1.5MM	175-199	1/8 x 1-1/2
5/16 x 3/8 UNF	M50 x 1.5MM	175-197	5/32 x 1
5/16 x 1/2	JAM NUTS		5/32 x 1-1/2
5/16 x 5/8 UNF	1/4UNF	171-386	5/32 x 3
5/16 x 1 (Sq hd)	5/16	173-521	3/16 x 1-1/4
5/16 x 1-1/2	3/8	170-022	3/16 x 2
3/8 x 1/4	7/16	170-046	1/4 x 1-1/2
3/8 x 3/8	1/2	170-036	1/4 x 2
3/8 x 1/2	5/8	170-037	1/4 x 2-1/2
3/8 x 1/2 UNF	3/4	170-035	ROLLER CHAIN
3/8 x 3/4	1	174-927	CONNECTOR LINKS
3/8 x 3/4 (Sq hd)	FLAT WASHERS		#50
3/8 x 1	#10	171-525	#50-2R
3/8 x 1 (Sq hd)	1/4	170-301	#60
3/8 x 1 (Sq hd) (Dog pt)	1/4 Heavy	171-083	#60-2R
7/16 x 7/16	1/4 Fender	173-672	#60H
7/16 x 1 (Sq hd)	5/16	170-127	#80
1/2 x 5/8	5/16 Fender	173-811	#80H
1/2 x 1	3/8	170-244	#100
1/2 x 1-1/4 (half dog point)	3/8 Heavy	170-302	#100H
5/8 x 5/8	3/8 Aluminum	173-900	#120
3/4 x 3/4 (Sq hd) (Dog pt)	7/16	170-138	#140
HEX NUTS	1/2	170-040	#140H
#6-32	1/2 (Grade 8)	172-984	#160
#10-32	9/16	173-693	OFFSET LINKS
1/4	5/8	170-066	#50
5/16	5/8 (Grade 8)	173-581	#50-2R
3/8	3/4	170-015	#60
7/16	7/8	173-298	#60-2R
7/16 (Grade 8) UNF	7/8 Heavy	170-131	#60H
1/2	1	170-122	#80
9/16	1-1/4	170-928	#80H
5/8	LOCK WASHERS		#100
3/4	#6	172-417	#100H
3/4 UNF	#10	171-605	#120
3/4 (Grade 8) UNF	1/4	170-124	#140
7/8	5/16	170-118	#140H
1	3/8	170-006	#160
1 UNF	7/16	170-061	ROLLER LINKS
1 (Grade 8)	1/2	170-003	#50
1 (Grade 8) UNF	9/16	173-692	#60
1-1/8 UNF	5/8	170-010	#80
1-1/4 UNF	3/4	170-016	#80H
1-1/4 (Grade 8)	3/4 External Tooth	174-793	#100
M8 x 1.25MM	7/8	172-003	#100H
M30 x 1.5MM	1	171-021	#120
M50 x 1.5MM	1-1/4	175-005	#140
LOCK NUTS	ZERKS		#160
#6-32	1/8 NPT	170-865	
#10-32	1/8 NPT-45 Deg	170-864	
1/4	1/8 NPT-65 Deg	170-215	
5/16	1/8 NPT-90 Deg	170-866	
3/8	3/16 drive in	174-124	
7/16	1/4-28	170-023	
1/2	1/4-28 - 45 Deg	170-148	
1/2 UNF	1/4-28 - 90 Deg	170-049	
1/2 (Grade 8)	1/4 NPT	170-277	
9/16	1/4 NPT - 45 Deg	174-130	
5/8			
3/4			
3/4 (Grade 8)			

Part Number Index

101-835 ...25	140-806 ...13	170-920 ...10, 11, 12	173-137 ...18
101-917 ...25	140-818 ...22	171-030 ...13, 14, 15	173-138 ...18
101-918 ...25	140-819 ...22	171-158 ...25	173-141 ...18, 19
102-674 ...23	140-820 ...22	171-202 ...14, 20	173-144 ...18, 19
102-675 ...23	140-821 ...22	171-380 ...25	173-147 ...18
102-687 ...23	140-824 ...15	171-427 ...15	173-149 ...18
102-688 ...23	140-948 ...22	171-550 ...16	173-150 ...19
102-691 ...23	140-955 ...5	171-668 ...22	173-151 ...18
102-772 ...25	141-013 ...12	171-712 ...27	173-152 ...18, 19
103-052 ...25	141-014 ...11, 12	171-799 ...16	173-153 ...18, 19
103-643 ...20	141-015 ...12	171-820 ...27	173-154 ...18
103-673 ...14	141-016 ...10, 11, 12	171-911 ...27	173-156 ...25
103-678 ...4	141-019 ...10, 11, 12	171-913 ...27	173-211 ...25
103-697 ...8	141-020 ...11, 12	171-914 ...27	173-212 ...25
103-723 ...22	141-063 ...10, 11, 12	171-919 ...4	173-213 ...25
103-726 ...23	141-114 ...10, 11, 12	171-934 ...5	173-214 ...25
103-730 ...4	141-115 ...7, 9	171-935 ...7, 9	173-215 ...25
103-731 ...15	141-116 ...7, 9	171-936 ...25	173-216 ...25
103-774 ...8	141-117 ...10, 11, 12	171-937 ...15	173-217 ...25
103-775 ...9	141-127 ...6, 8	171-940 ...15	173-218 ...25
103-776 ...9	141-131 ...5	171-947 ...27	173-219 ...25
103-777 ...14	141-134 ...10, 11, 12	171-960 ...25	173-225 ...24
103-785 ...11	141-185 ...9	171-979 ...16	173-226 ...24
103-786 ...12	141-285 ...5	171-989 ...7, 9	173-227 ...24
103-787 ...14	141-380 ...10, 11, 12	172-024 ...6, 8	173-270 ...15
103-845 ...4	141-406 ...10, 11, 12	172-040 ...16	173-366 ...5, 19
103-850 ...4	141-423 ...13	172-128 ...24	173-448 ...27
103-858 ...7, 9	141-465 ...5	172-130 ...24	173-483 ...14
103-920 ...4	141-517 ...4	172-136 ...25	173-485 ...22
103-928 ...13	141-546 ...11	172-143 ...25	173-567 ...13
103-933 ...10	141-549 ...5	172-152 ...5	173-583 ...6, 8
103-934 ...7	141-594 ...6	172-165 ...25	173-618 ...22
103-935 ...7	141-616 ...13	172-166 ...25	173-621 ...22
103-936 ...6	141-666 ...6	172-183 ...25	173-646 ...13, 20, 22
104-019 ...7	141-671 ...6	172-210 ...16	173-650 ...22
104-020 ...7	141-673 ...10	172-350 ...25	173-653 ...14
104-022 ...7	141-684 ...10	172-354 ...25	173-760 ...4
132-687 ...5	141-872 ...6	172-367 ...5	173-787 ...22
132-988 ...25	141-945 ...26	172-386 ...25	173-825 ...22
134-409 ...25	141-955 ...10	172-500 ...24	174-000 ...25
135-692 ...8	170-019 ...5	172-800 ...24	174-001 ...25
136-040 ...5	170-073 ...13	172-801 ...24	174-002 ...25
136-119 ...5	170-233 ...14, 22	172-802 ...24	174-003 ...25
136-174 ...5	170-235 ...15	172-803 ...24	174-004 ...25
136-444 ...15	170-238 ...25	172-804 ...24	174-195 ...20, 22
138-044 ...4	170-244 ...6, 8	172-820 ...27	174-501 ...24
140-618 ...8	170-316 ...5	172-822 ...8	174-502 ...24
140-626 ...14	170-415 ...25	172-913 ...6, 8	174-503 ...24
140-646 ...10, 11, 12	170-545 ...18, 19	173-044 ...27	174-505 ...24
140-677 ...5	170-546 ...18, 19	173-046 ...5, 18	174-506 ...24
140-722 ...8	170-627 ...5	173-078 ...27	174-507 ...24
140-775 ...4	170-679 ...18, 19	173-123 ...18	174-514 ...27
140-780 ...4	170-786 ...6	173-124 ...18	174-521 ...22
140-788 ...26	170-849 ...27	173-127 ...18	174-529 ...20
140-789 ...26	170-865 ...6, 8	173-128 ...18	174-535 ...20

Part Number Index

174-536 ...20	174-994 ...16	175-574 ...24
174-537 ...20	175-014 ...17	175-575 ...24
174-686 ...27	175-015 ...17	175-576 ...24
174-687 ...27	175-016 ...17	175-577 ...24
174-703 ...19	175-017 ...17	175-578 ...24
174-704 ...19	175-018 ...17	175-579 ...24
174-705 ...19	175-019 ...17	175-582 ...25
174-706 ...19	175-020 ...17	175-583 ...25
174-707 ...19	175-021 ...17	175-595 ...24
174-708 ...19	175-022 ...17	175-626 ...25
174-715 ...20	175-023 ...17	175-627 ...25
174-719 ...25	175-024 ...17	175-628 ...25
174-730 ...22	175-025 ...17	180-302 ...20
174-734 ...20	175-026 ...17	180-689 ...22
174-735 ...20	175-027 ...17	180-786 ...8
174-736 ...19	175-028 ...17	181-036 ...6, 8
174-762 ...6, 8	175-029 ...17	181-043 ...26
174-765 ...4	175-030 ...17	181-048 ...9
174-769 ...7, 9	175-031 ...17	
174-772 ...13, 14	175-032 ...17	
174-777 ...7, 9	175-045 ...24	
174-779 ...27	175-046 ...25	
174-782 ...27	175-048 ...25	
174-784 ...6, 8	175-049 ...25	
174-785 ...27	175-050 ...25	
174-789 ...22	175-051 ...25	
174-792 ...27	175-052 ...25	
174-793 ...10, 11, 12	175-070 ...16	
174-799 ...27	175-071 ...16	
174-807 ...7, 8	175-074 ...24	
174-808 ...27	175-098 ...13	
174-810 ...23	175-124 ...16	
174-811 ...23	175-132 ...16	
174-813 ...23	175-136 ...16	
174-817 ...22	175-137 ...16	
174-818 ...22	175-142 ...16	
174-820 ...22	175-145 ...16	
174-821 ...22	175-151 ...27	
174-822 ...14	175-156 ...27	
174-833 ...20	175-157 ...16	
174-843 ...14	175-158 ...16	
174-844 ...27	175-204 ...4	
174-873 ...5, 17	175-206 ...4	
174-904 ...17	175-209 ...24	
174-905 ...17	175-210 ...24	
174-909 ...16	175-211 ...24	
174-913 ...27	175-212 ...24	
174-923 ...25	175-225 ...27	
174-924 ...27	175-230 ...27	
174-926 ...25	175-234 ...20	
174-966 ...16	175-344 ...8	
174-979 ...4	175-374 ...20	
174-985 ...16	175-375 ...20	
174-987 ...16	175-521 ...20	
174-991 ...16	175-569 ...25	

Free Manuals Download Website

<http://myh66.com>

<http://usermanuals.us>

<http://www.somanuals.com>

<http://www.4manuals.cc>

<http://www.manual-lib.com>

<http://www.404manual.com>

<http://www.luxmanual.com>

<http://aubethermostatmanual.com>

Golf course search by state

<http://golfingnear.com>

Email search by domain

<http://emailbydomain.com>

Auto manuals search

<http://auto.somanuals.com>

TV manuals search

<http://tv.somanuals.com>