

# 450 XC ATV 2008


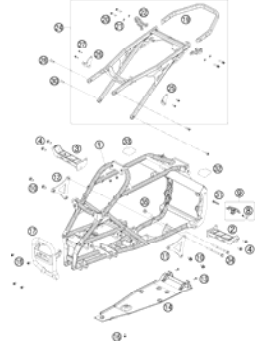
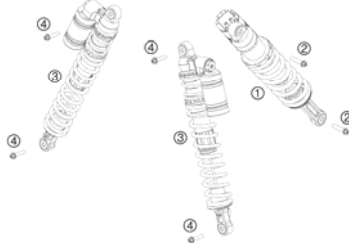
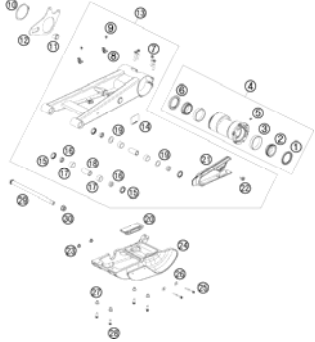
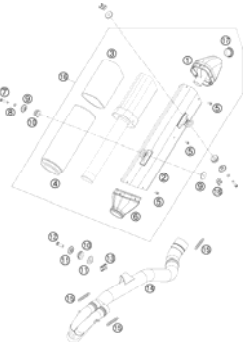
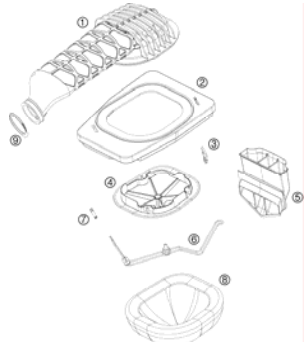
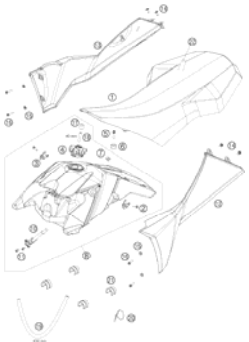

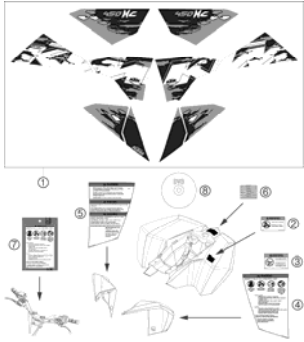
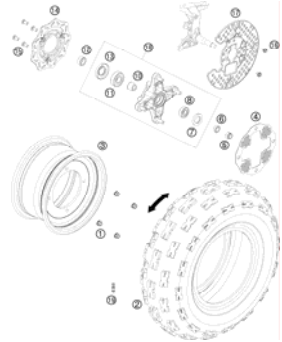
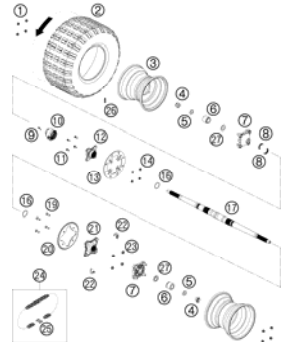
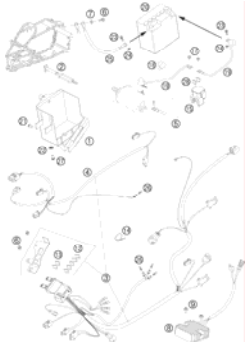
**SPARE PARTS MANUAL: CHASSIS**

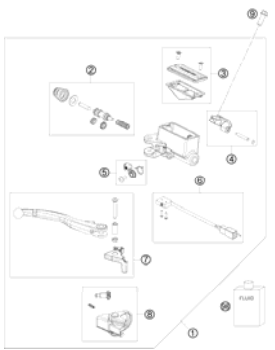
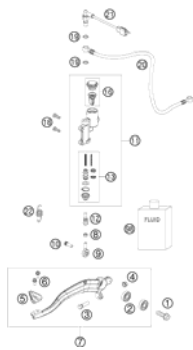
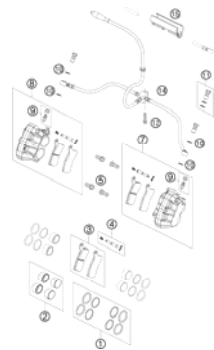
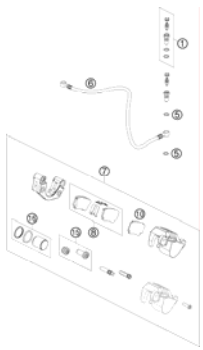
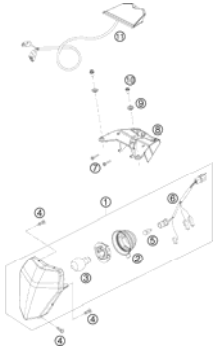
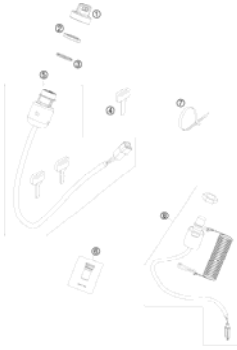
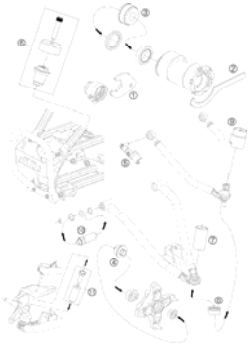
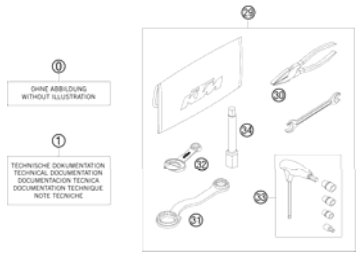
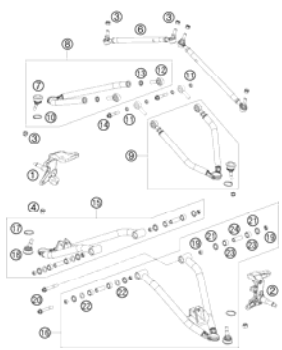
**ART.NO.: 3CF8475HQEN**

**ENGLISH**





<b>HANDLEBAR, CONTROLS</b>  <b>3</b>	<b>FRAME</b>  <b>5</b>	<b>MONOSHOCK</b>  <b>6</b>	<b>SWING ARM</b>  <b>7</b>
<b>EXHAUST SYSTEM</b>  <b>8</b>	<b>AIR FILTER</b>  <b>9</b>	<b>TANK, SEAT, COVER</b>  <b>10</b>	<b>MASK, FENDERS</b>  <b>11</b>
<b>DECAL</b>  <b>12</b>	<b>FRONT WHEEL</b>  <b>13</b>	<b>REAR WHEEL</b>  <b>14</b>	<b>WIRING HARNESS</b>  <b>15</b>

<p><b>HAND BRAKE CYLINDER</b></p>  <p><b>16</b></p>	<p><b>REAR BRAKE CONTROL</b></p>  <p><b>17</b></p>	<p><b>BRAKE CALIPER FRONT</b></p>  <p><b>18</b></p>	<p><b>BRAKE CALIPER REAR</b></p>  <p><b>19</b></p>
<p><b>LIGHTING SYSTEM</b></p>  <p><b>20</b></p>	<p><b>INSTRUMENTS/LOCK SYSTEM</b></p>  <p><b>21</b></p>	<p><b>SPECIAL TOOLS</b></p>  <p><b>22</b></p>	<p><b>ACCESSORIES KIT</b></p>  <p><b>23</b></p>
<p><b>FRONT SECTION</b></p>  <p><b>24</b></p>	<div style="display: flex; align-items: center;"> <div style="background-color: #cccccc; padding: 20px; font-size: 48px; margin-right: 20px;">!</div> <div> <p>All information contained is without obligation. KTM-Sportmotorcycle AG particularly reserves the right to modify any equipment, technical specifications, prices, colors, shapes, materials, services, service work, constructions, equipment and the like so as to adapt them to local conditions or to cancel any of the above items, all without previous announcement and without giving reasons. KTM may stop manufacturing certain models without previous notice. KTM shall not be held liable for any deviations of availability and/or ability to deliver, illustrations, descriptions, printing and/or other errors. The illustrated models partly contain extra equipment, which is not applied to standard models. © by KTM-SPORTMOTORCYCLE AG, Mattighofen AUSTRIA; All rights reserved; Reprint, also in extracts, with written allowance of KTM-SPORTMOTORCYCLE AG, Mattighofen only.</p> </div> </div>		

# HANDLEBAR, CONTROLS

450 XC ATV 2008

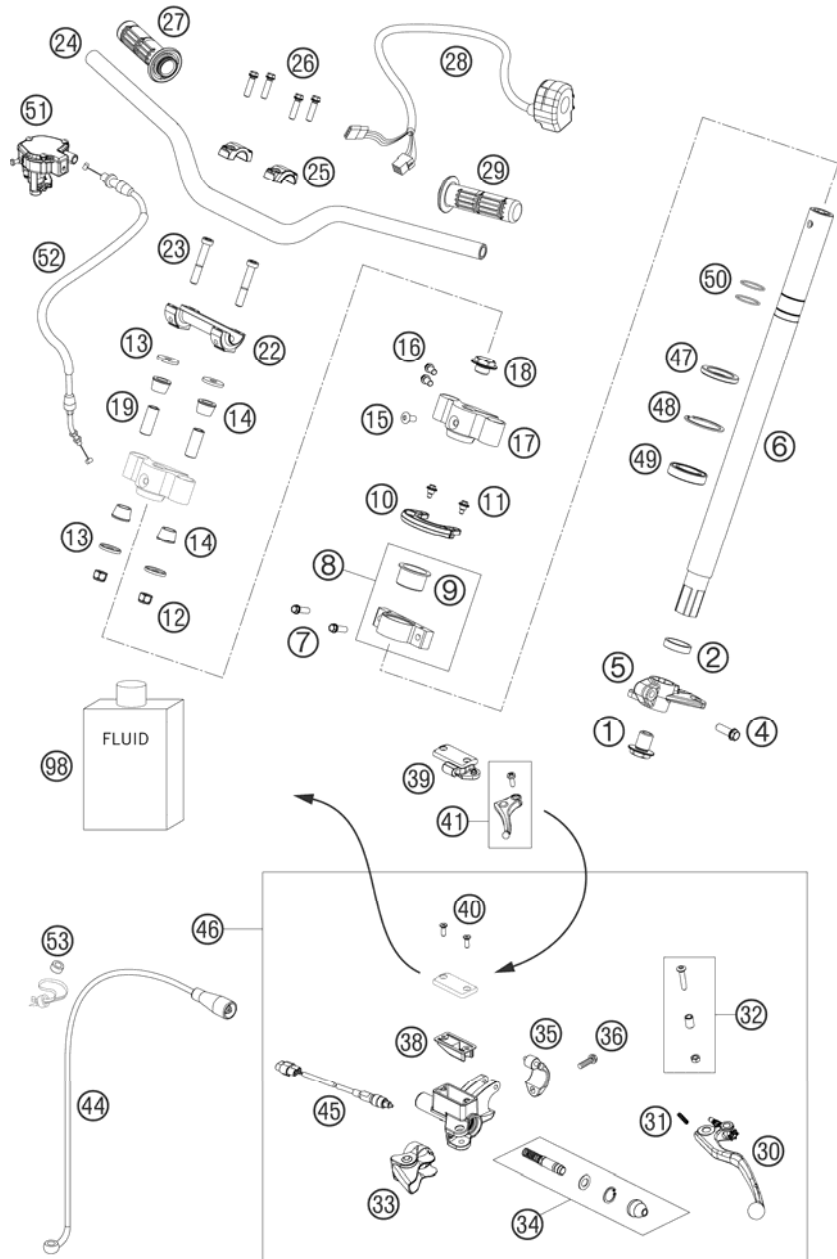


FIG	PART NUMBER	DESCRIPTION	QTY
1	83001033051	STEERING HEAD SCREW M20X1,5	1
2	83001033052	WASHER F. STEERING BEARING	1
4	0015100303	HH COLLAR SCREW M10X30 WS=13	1
5	83001033050	STEERING LEVER	1
6	83001033000	STEERING COLUMN	1
7	0025080256	HH COLLAR SCREW M8X25 TX40	2
8	83001035044	BEARING BLOCK WITH BEARING 08	1
9	83001035050	SLIDE BEARING W.C. JFM-3539-26	1
10	83001069000	CABLE GUIDE	1
11	59001092050	SPECIAL SCREW M6X12,5 WS=8	2
12	0985100003	SELF LOCKING NUT DIN0985-M10	2
13	83001042000	BUCKET	4
14	83001040000	RUBBER BUSH	4
15	54610052000	SPROCKET SCREW-AH M8X20 WS=6	1
16	0015080203	HH COLLAR SCREW M 8X20 WS=10	2
17	83001034008	HANDLE BAR BRIDGE 08	1
18	54801036000	STEER.HEAD SCREW M20X1,5 WS=27	1
19	83001041000	SPACER TUBE 10.2X16X39	2
22	59001039100	HANDLEBAR SUPPORT 28MM SC'99	1
23	0012100606	AH SCREW DIN6912-M10X60	2
24	83002001000	HANDLEBAR ATV 2008	1
25	59001038200	HANDLEBAR CLAMP D=28MM 2000	2
26	0025080306	HH COLLAR SCREW M8X30 TX40	4
27	83002021002	HANDLE BAR GRIP ATV R/S	1
28	83011070000	LEFT HANDLE SWITCH	1
29	83002021001	HANDLE BAR GRIP ATV L/S	1
30	60002031000	CLUTCH LEVER LONG CPL. 2003	1
31	59002035000	SPRING FOR CLUTCH LEVER 03	1
32	50302038000	LEVER SCREW CPL. 125-200 '98	1
33	50302037000	PROTECT.CAP FOR LEVER PERCH'98	1
34	59002032000	REP.KIT PISTON 9,5MM RAC. 2000	1
35	50302030150	CLAMP WITH PIN 2000	1
36	0015060203	HH COLLAR SCREW M 6X20 WS=8	1
38	50302034000	RUBBER FOR RESERVOIR '98	1
39	59002033000	COVER HYD.CLUTCH RACING 2000	1
40	0965040123	FLAT HEAD SCREW DIN0965-M 4X12	2

088300210 / C088300210

\* NEW PART

X AS REQUIRED

# HANDLEBAR, CONTROLS

450 XC ATV 2008

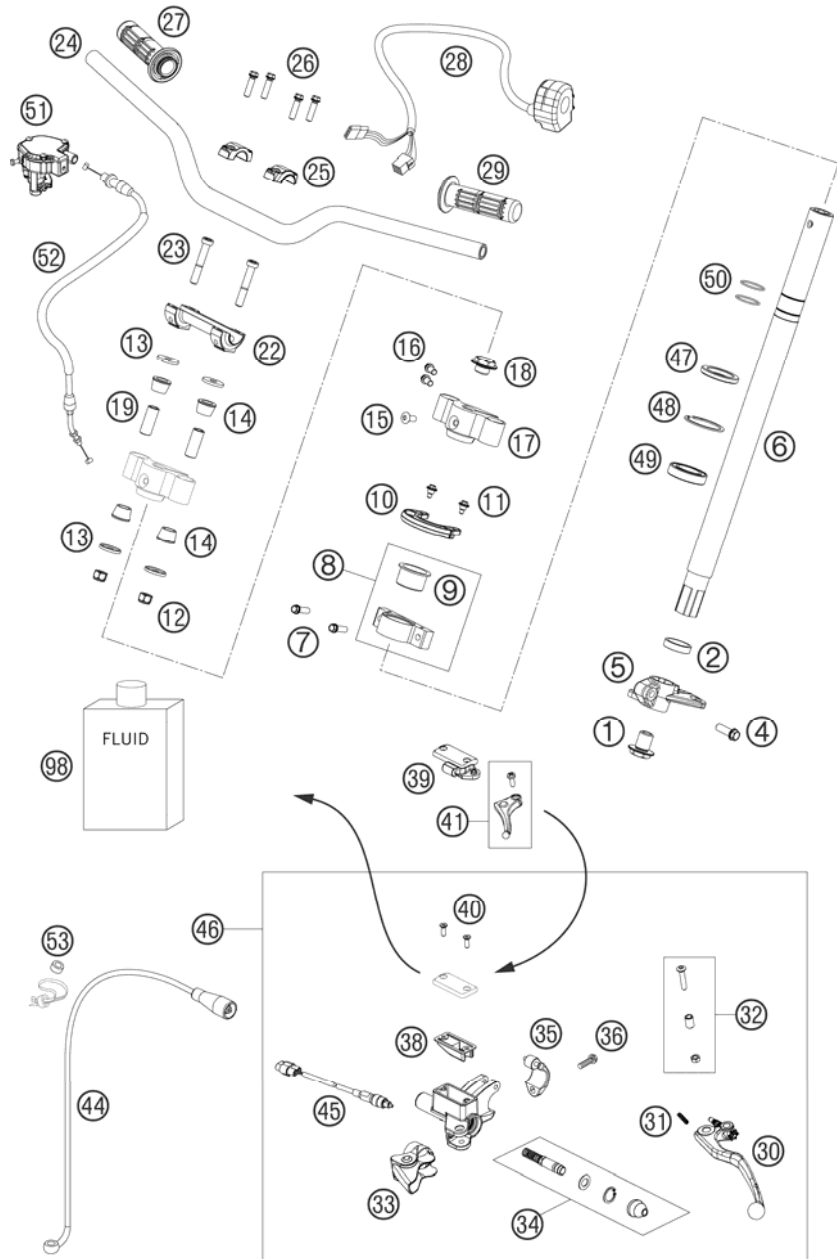


FIG	PART NUMBER	DESCRIPTION	QTY
41	59002047000	LEVER CPL. RACING 2000	1
44	83032063000	CLUTCH PIPE	1
45	58411049100	CLUTCH SWITCH 03	1
46	83002030000	MASTER CYLINDER CPL.	1
47	0760385570	SHAFT SEAL RING 38,5X55X7	1
48	0472055200	CIRCLIP DIN0472-55X2	1
49	0625060061	BALL BEARING 6006/32-2RS1	1
50	0770320015	O-RING 32,00X1,50 VITON	2
51	83002022000	THUMB THROTTLE	1
52	83002091000	THROTTLE CABLE ATV	1
53	50301089000	SPACER BUSHING 6X10X5	2
98	50302036200	OIL FOR HYD. CLUTCH 75ML	1

088300210 / C088300210

\* NEW PART

X AS REQUIRED

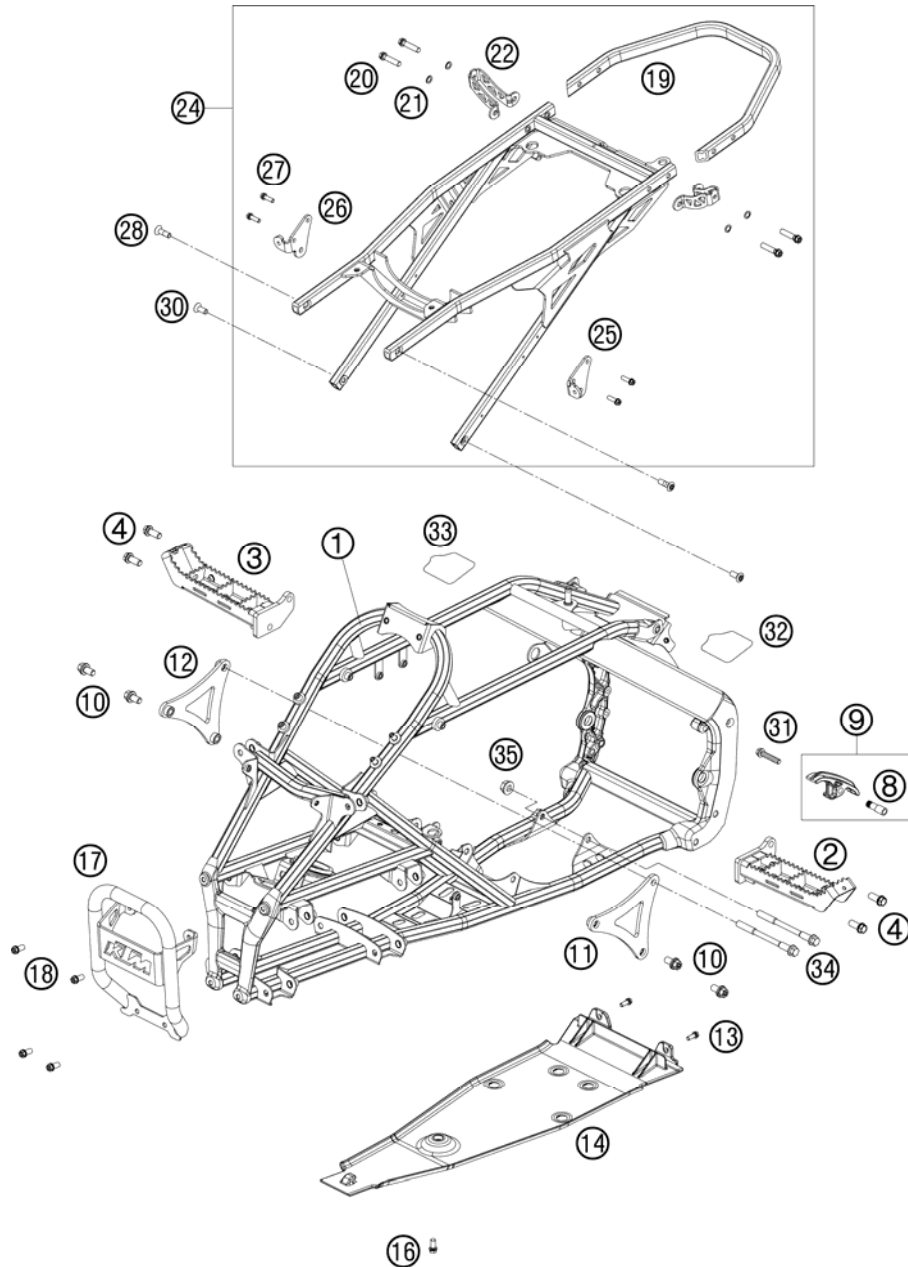


FIG	PART NUMBER	DESCRIPTION	QTY
1	8300300100030	FRAME ATV-XC "NC08" 2008	1
2	83003040000	FOOTREST CPL. L/S	1
3	83003041000	FOOTREST CPL. R/S	1
4	0025100246	COLLAR SCREW M10X24 TX	4
8	77303053051	BUSHING 8,2X10X22	1
9	83003053000	CHAIN SLIDING PIECE BELOW	1
10	0023100183	COLLAR SCREW M10X18 TX	4
11	83003013044	ENGINE SUPPORT L/S CPL.	1
12	83003113044	ENGINE SUPPORT R/S CPL.	1
13	0025060166	HH COLLAR SCREW M6X16 TX30	2
14	83003090000	FRAME PROTECTION BELOW	1
16	0025080206	HH COLLAR SCREW M8X20 TX40	1
17	8300300300030	FRONT BUMPER BLACK	1
18	0025080166	HH COLLAR SCREW M8X16 TX40	4
19	83003002010	SUB FRAME-BRACKET 07	1
20	0025080356S	HH COLLAR SCREW M8X35 TX40	4
21	36003014000	LOCK WASHER 8MM	4
22	83003002030	FENDER BRACKET	2
24	83003002044	SUB FRAME CPL. 08	1
25	83003002040	HEELGUARD FIXING L/S	1
26	83003002041	HEELGUARD FIXING R/S	1
27	0025060206	HH COLLAR SCREW M6X20 TX30	4
28	0019080266S	COUNTER-SUNK SCREW ISA45 M8X26	2
30	0019080206S	FLAT HEAD SCREW M. ISA45 M8X20	2
31	0025080456	HH COLLAR SCREW M8X45 TX40	1
32	83003099000	PROTECT.FILM F. FRAME L/S 2008	1
33	83003099100	PROTECT.FILM F. FRAME R/S 2008	1
34	59003013000	ENGINEBRAC.SCREW M10X123 WS=13	2
35	54310086100	SELF LOCKING NUT M10 CU WS=14	1

088300310 / C088300310

\* NEW PART

X AS REQUIRED

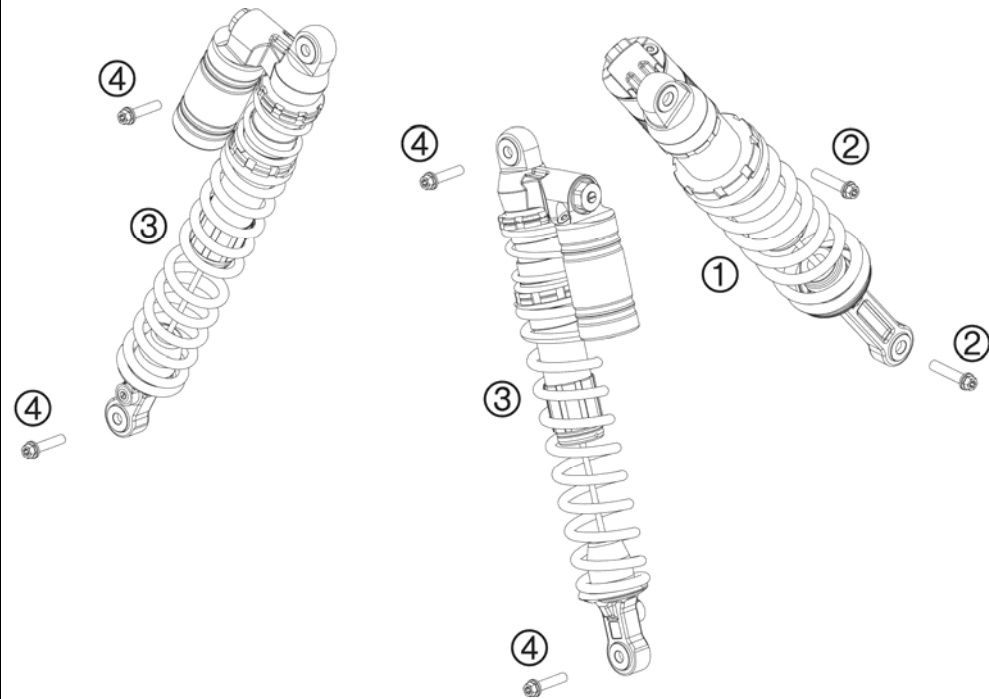


FIG	PART NUMBER	DESCRIPTION	QTY
1	83004010044	MONOSHOCK CPL. REAR	1
2	0015120556S	HH COLLAR M12X55 WS=13 06	2
3	83061050044	FRONT MONOSHOCK CPL.	2
4	0023100453	COLLAR SCREW M10X45 TX	4

088300410 / C088300410

\* NEW PART

X AS REQUIRED



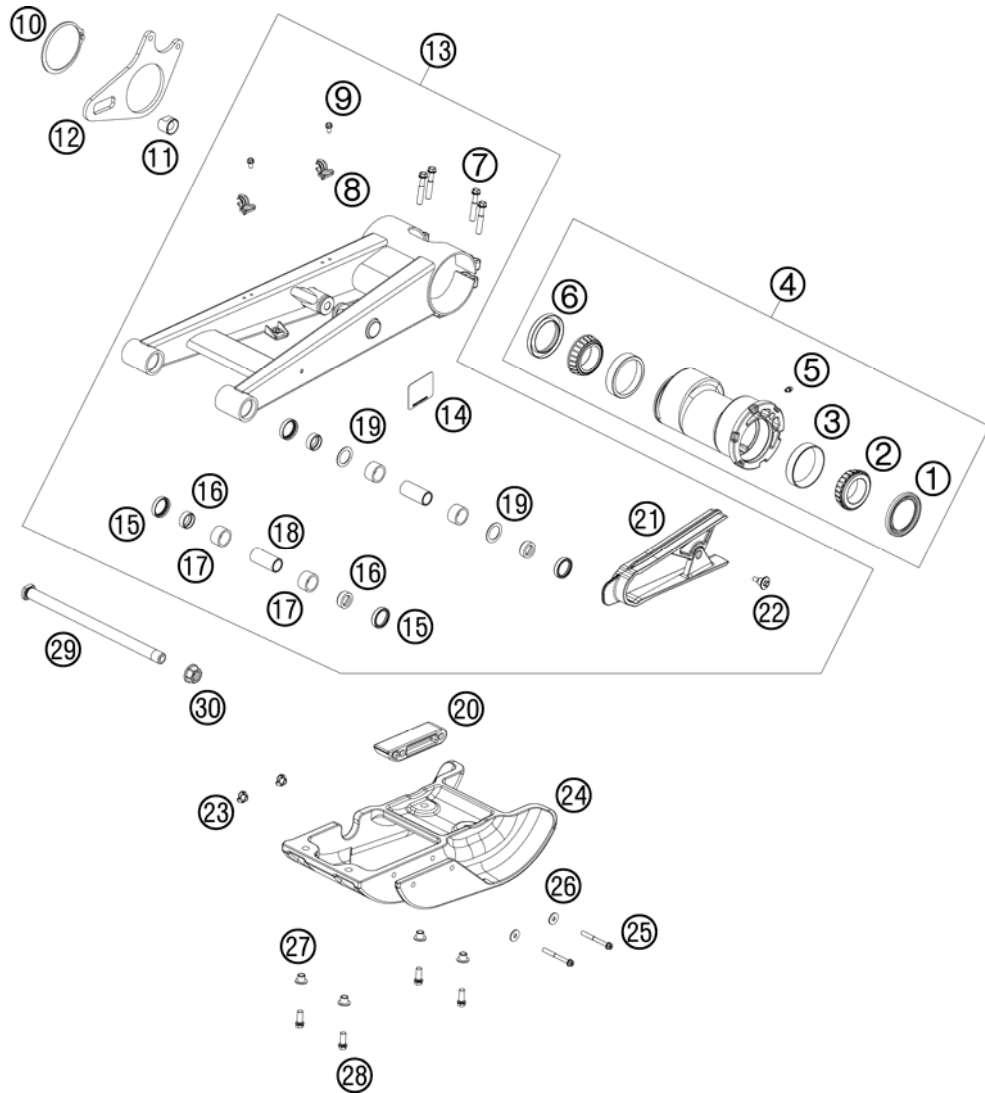


FIG	PART NUMBER	DESCRIPTION	QTY
1	83010040053	SHAFT SEAL RING 2"X2,75"X0,25"	1
2	83010040051	INNER RING 32008	2
3	83010040050	OUTER RING 32008	2
4	83010040033	REAR WHEEL EXCENTRIC CPL.	1
5	72003035000	GREASE FITTING M6 STRAIGHT	1
6	83010040052	SHAFT SEAL RING 2"X2,75"X0,313	1
7	0025080456	HH COLLAR SCREW M8X45 TX40	4
8	5461107610030	RET. CLAMP F. BRAKE HOSE BLACK	2
9	0009050103	SPECIAL SCREW M 5,0X10	2
10	0471780250	CIRCLIP DIN 471 78X2,5	1
11	83013052000	BRAKE THRUST BEARING	1
12	83013046100	BRAKE CALIPER SUPPORT PLATE	1
13	83004030044	SWING ARM CPL. 2008	1
14	83004030090	STICKER FOR CHAIN TENSION	1
15	0760253270	SHAFT SEAL RING 25X32X7	4
16	54804034000	BUCKET F. SHAFT SEAL RING 03	4
17	58033097000	NEEDLE BEARING HK 2216	4
18	54804032000	BUSHING SLEEVE F. SWING ARM 03	2
19	54603036000	STOP DISK 22,2X31,7X1	2
20	83004070000	CHAIN GUIDE	1
21	83004066000	CHAIN SLIDING GUARD	1
22	60035001000	SCREW RADIATOR BRACKET M6 03	1
23	83004046060	DRIVE-IN NUT FOR GUARD	2
24	83004046000	ASM-GUARD	1
25	0025060556	HH COLLAR SCREW M6X55 TX30	2
26	0021060003	WASHER DIN9021-A 6,4	2
27	83004046050	BUSHING F. SWINGPROTECTION	4
28	0025080206	HH COLLAR SCREW M8X20 TX40	4
29	83004037000	SWING ARM BOLT	1
30	54804038000	SELF LOCK.NUT M16X1,5 WS=19 03	1

088300490 / C088300490

\* NEW PART

X AS REQUIRED

# EXHAUST SYSTEM

450 XC ATV 2008

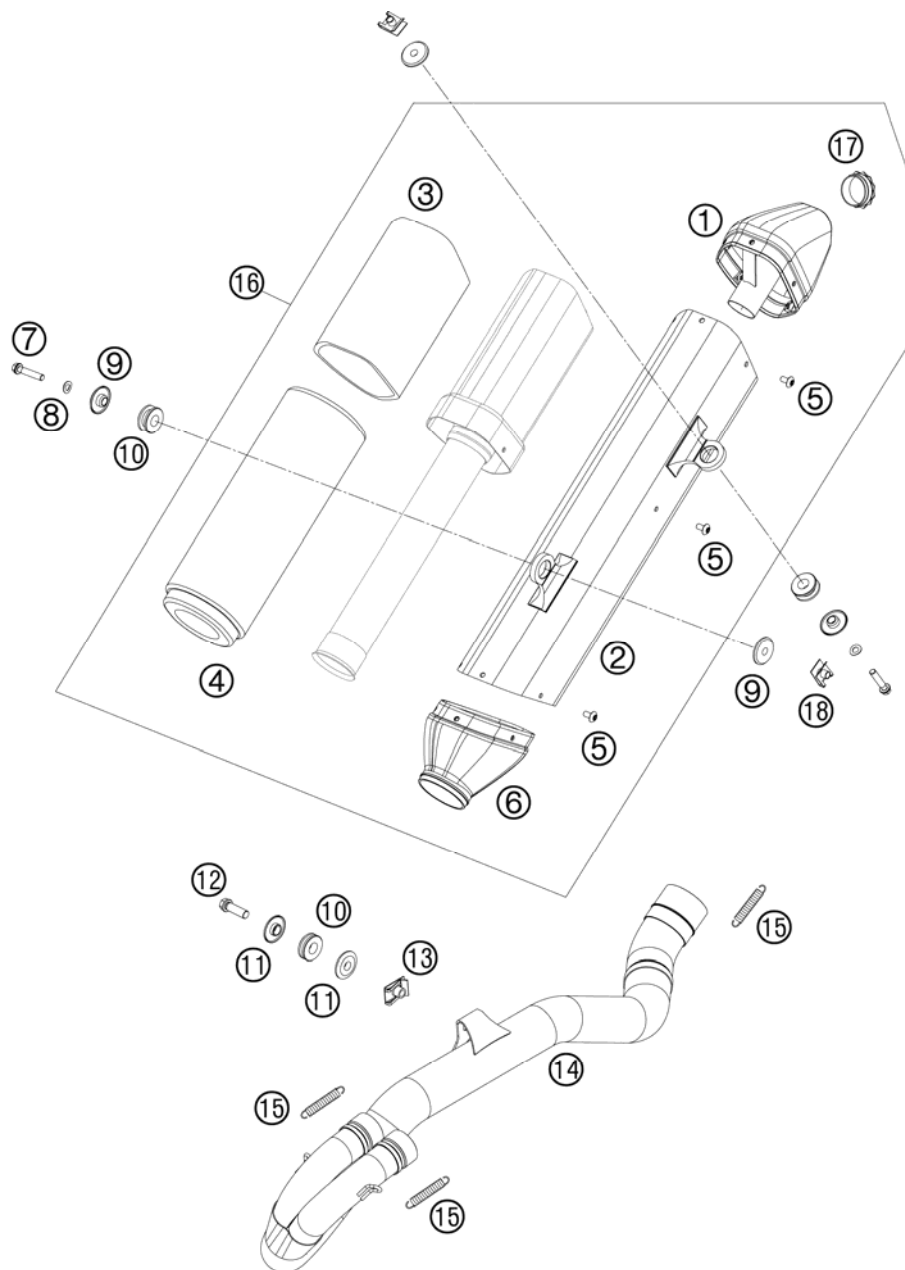


FIG	PART NUMBER	DESCRIPTION	QTY
1	83005082070	ENDCAP SPARKY ATV 08	1
2	83005082050	SILENCER HOUSING SPARKY ATV	1
3	77005081016	STUFFING YARN EXC-F 07	1
4	58705078350	STUFFINGYARN 350 GRAMM '99	1
5	58605083010	SCREW TORX M5X10 05	12
6	83005082060	CONNECTING CAP CPL. ATV	1
7	0025060306	HH COLLAR SCREW M6X30 TX30	2
8	0137060003	SPRING WASHER DIN0137-B 6	2
9	54605069000	BUSHING 7,5X12X28X7,8 '96	4
10	54605068000	EXHAUST BRACKET RUBBER BLACK	3
11	59405069000	BUSHING FOR EXHAUST SUPPORT 03	2
12	0025080256	HH COLLAR SCREW M8X25 TX40	1
13	54603048000	RANGE CHANGE METAL NUT M8	1
14	83005007000	EXHAUST MANIFOLD R/S CPL.	1
15	50305016000	TEN.SPRING L=62MM EY.MOVEABLE	3
16	83005082000	EXH. SIL. CPL. R/S ATV SPARKY	1
17	77005081055	SIL. ELEMENT EXC-F 07	1
18	54603048100	RANGE CHANGE METAL NUT M6	2

088300510 / C088300510

\* NEW PART

X AS REQUIRED

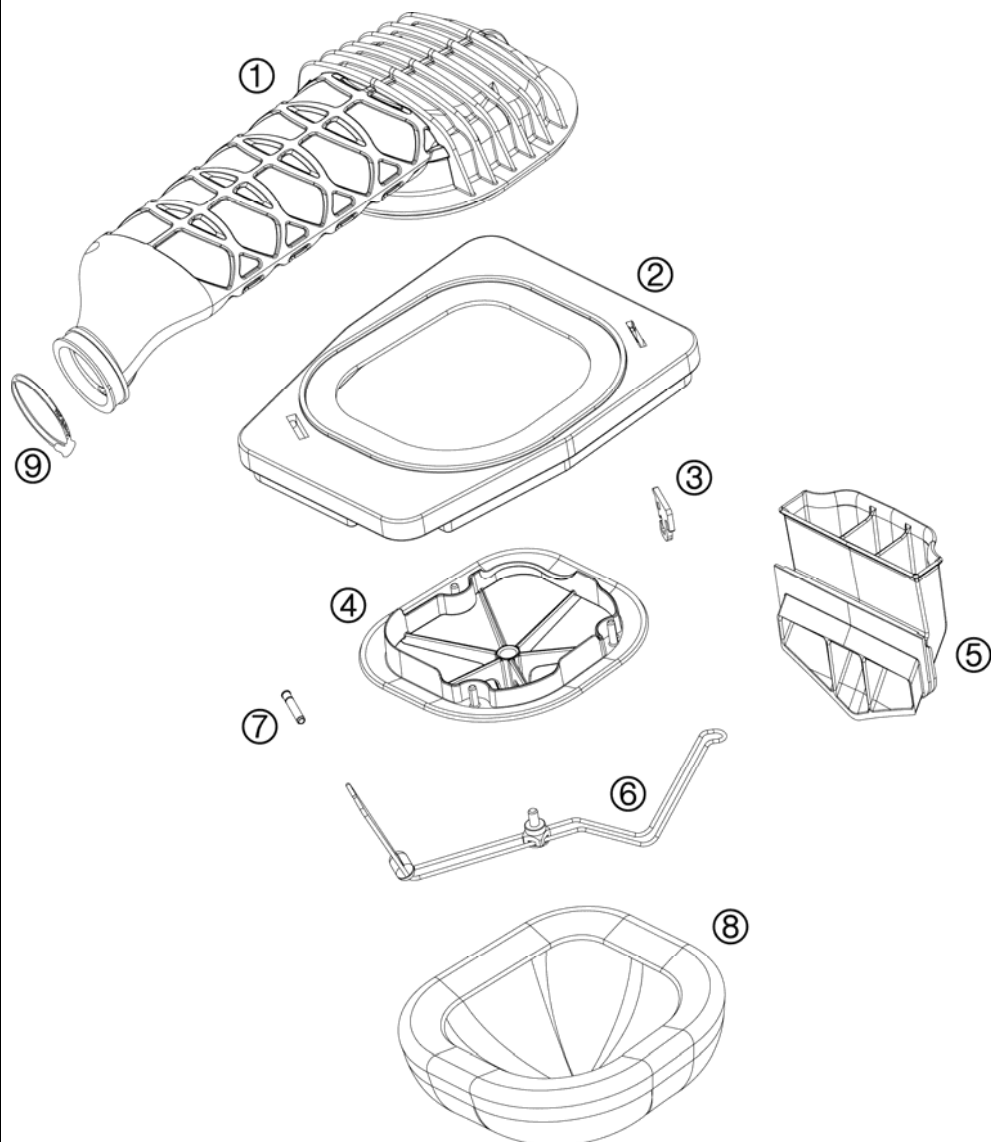


FIG	PART NUMBER	DESCRIPTION	QTY
1	83006026000	CARBURETOR CONNECTION BOOT	1
2	83008072030	AIR FILTER BOX COVER	1
3	77306019000	FASTEN. DEVICE FILTER S. SX 07	1
4	77306016000	FILTER CARRIER 4S SX 07	1
5	83006024000	INTAKE MANIFOLD	1
6	83006017000	AIR FILTER SUPPORT BRACKET CPL	1
7	77306018000	FILTER SUPPORT BUSH 07	1
8	77306015000	AIR FILTER 07	1
9	51006027000	HOSE CLAMP 50-70MM	1

088300610 / C088300610

\* NEW PART

X AS REQUIRED

# TANK, SEAT, COVER

450 XC ATV 2008

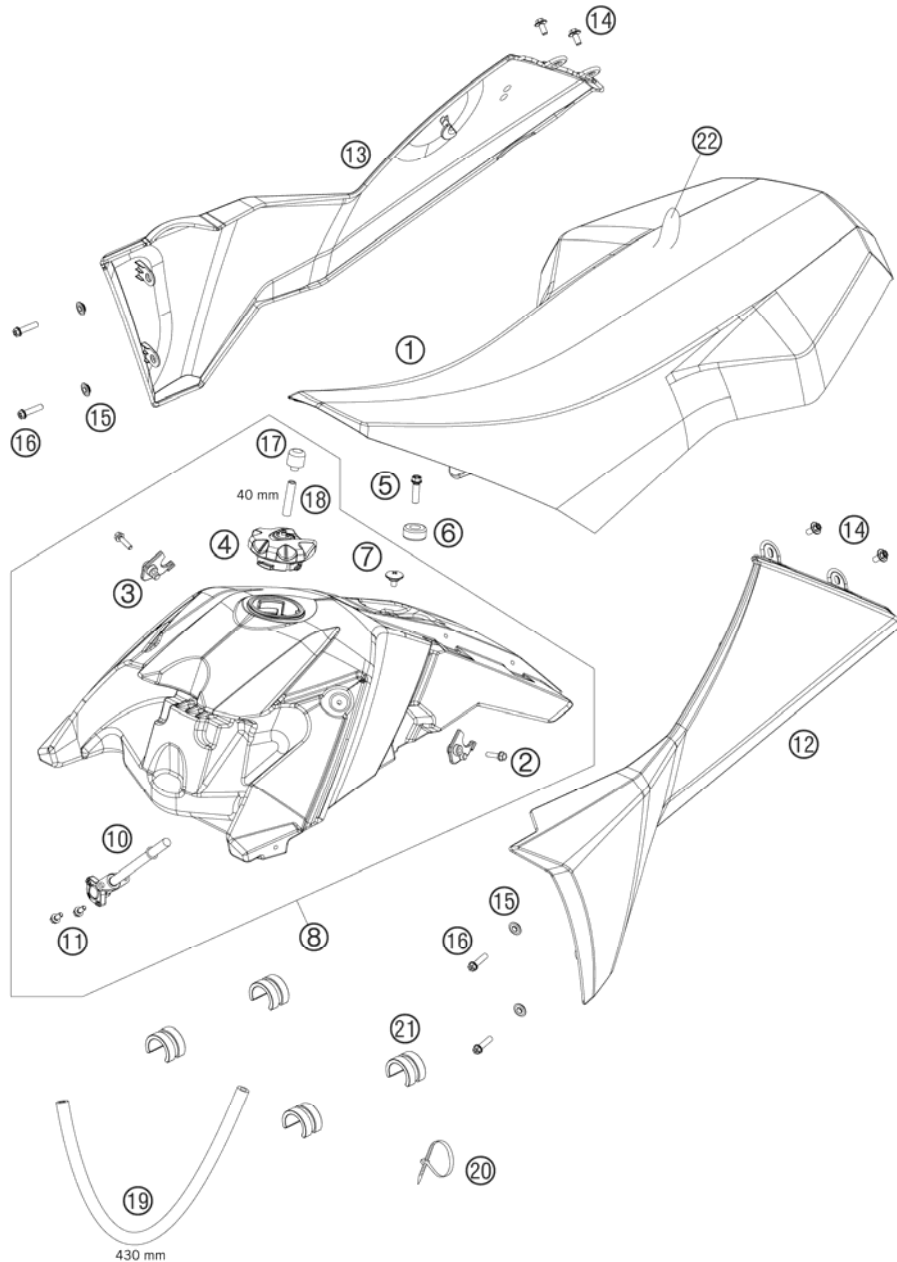


FIG	PART NUMBER	DESCRIPTION	QTY
1	83007040000	SEAT ATV	1
2	0014050203	HH COLLAR SCREW M 5X20 WS=6	2
3	83007013050	SPOILER BRACKET	2
4	78007008044	TANK PLUG CPL. EXC 08	1
5	0025060166	HH COLLAR SCREW M6X16 TX30	1
6	50307014000	TANK ROLLER 12X26X12 '98	1
7	58407011100	SCREW FOR SEAT M6X11,5/8	1
8	8300701303330	FUEL TANK CPL.	1
10	58307105200	FUEL COCK CPL. OFF-ON-RES	1
11	0014050123	HH COLLAR SCREW M 5X12 WS=6	2
12	8300805000030	RADIATOR SPOILER L/S BLACK	1
13	8300805100030	RADIATOR SPOILER R/S BLACK	1
14	0024060106	HH COLLAR SCREW M6X10 TX30	4
15	50308053000	BUSH FOR SPOILER 6X11X16X7,5	4
16	0025060206	HH COLLAR SCREW M6X20 TX30	4
17	83007030000	BLEEDING STUBBLE	1
18	58307016001	FUEL HOSE VITON 6X1,5 PER/M	x
19	83007016000	FUEL HOSE	1
20	44011076200	CABLE TIE 200/3,6MM BLACK	x
21	61007014000	SPACER FUEL TANK 05	4
22	83007040050	SEAT COVER	1

088300710 / C088300710

\* NEW PART

X AS REQUIRED

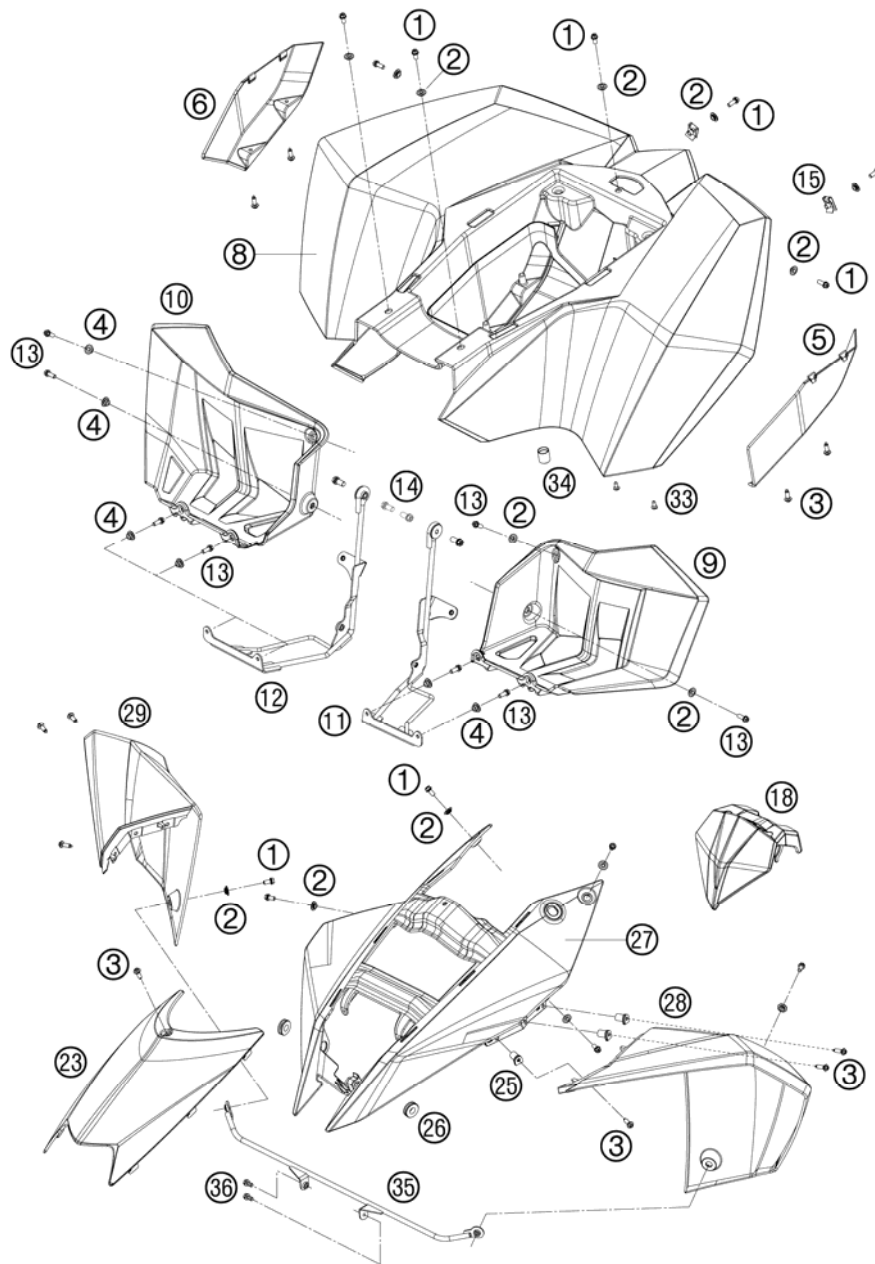


FIG	PART NUMBER	DESCRIPTION	QTY
1	0025060126	HH COLLAR SCREW M6X12 TX30	13
2	50308052000	BUSH FOR SPOILER 6X11X16X5 MM	15
3	0017060203	EJOT PT SCREW K60X20 WS=6	11
4	50308053000	BUSH FOR SPOILER 6X11X16X7,5	6
5	8300807201004	AIR INTAKE L/S ORANGE	1
6	8300807202004	AIR INTAKE R/S ORANGE	1
8	8300807203304	REAR FENDER CPL. ORANGE	1
9	8300805500030	HEEL GUARD L/S BLACK	1
10	8300805600030	HEEL GUARD R/S BLACK	1
11	83008057000	HEELGUARD FIXING L/S	1
12	83008058000	HEELGUARD FIXING R/S	1
13	0025060166	HH COLLAR SCREW M6X16 TX30	8
14	0025080166	HH COLLAR SCREW M8X16 TX40	2
15	54603048100	RANGE CHANGE METAL NUT M6	2
18	83014070000	INSTRUMENTS BRACKET	1
23	8300800200030	FRONT COVER BLACK	1
25	83008010060	CLIP NUT EASY BOSS 60X2X7	6
26	41001052000	RUBBER SLEEVE D=12MM	2
27	8300800100104	FRONT PLASTICPART ORANGE	1
28	8300801000004	FRONT FENDER L/S ORANGE	1
29	8300801100004	FRONT FENDER R/S ORANGE	1
33	0016050121	SCREW FOR PLASTIC 50X12	2
34	83006005000	AIR FILTER BOX COVER	1
35	83008010050	FENDER-FRAME CONNECTION	1
36	0025060106	HH COLLAR SCREW M6X10 TX30	2

088300810 / C088300810

\* NEW PART

X AS REQUIRED

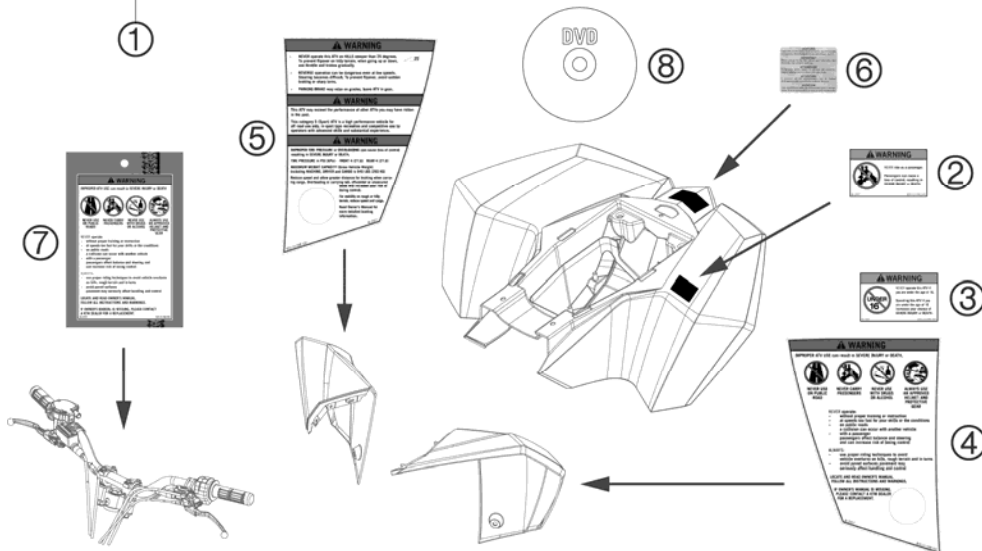
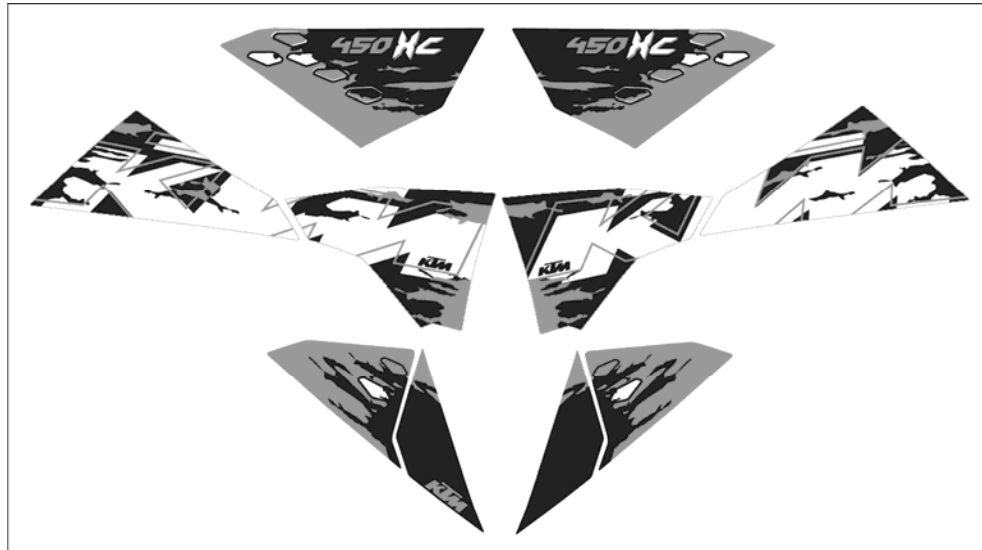


FIG	PART NUMBER	DESCRIPTION	QTY
1	83008099100	DECAL SET 450 ATV XC 2008	1
2	83003098300	STICKER "WARNING LABEL 4"	1
3	83003098200	STICKER "WARNING LABEL 3"	1
4	83003098000	STICKER "WARNING LABEL 1"	1
5	83003098100	STICKER "WARNING LABEL 2"	1
6	50307098000	STICKER "OWNERS MANUAL"	1
7	83003098400	SAFETY PLAQUETTE	1
8	3212081	ATV SAFETY TRAINING DVD	1

088300830 / C088300830

\* NEW PART

X AS REQUIRED

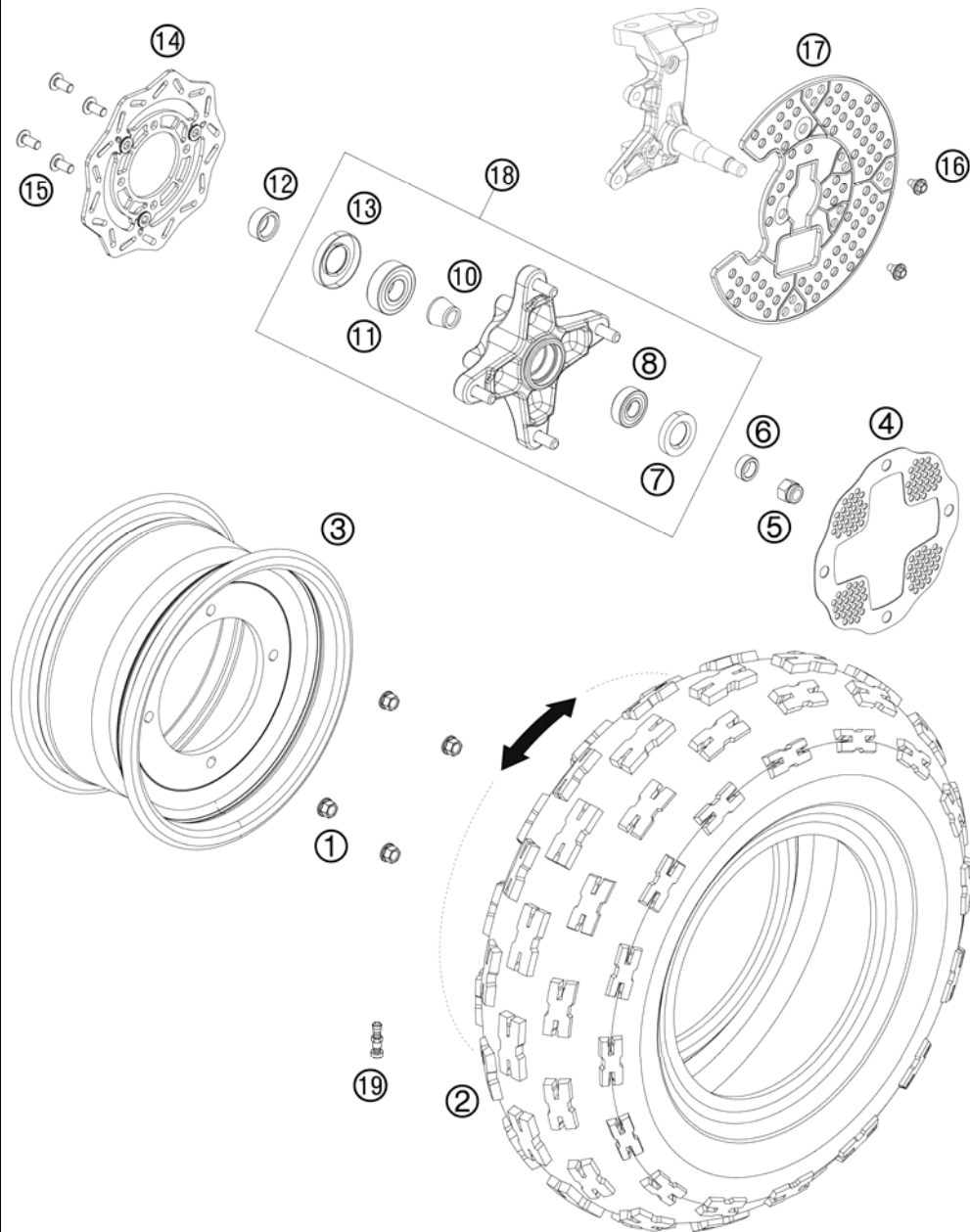


FIG	PART NUMBER	DESCRIPTION	QTY
1	58414030000	HH COLLAR NUT M10X1,25 WS=13	8
2	83009074000	TIRE FRONT 21X7X10 4PR	2
3	83009070000	RIM FRONT 10X5-5	2
4	83009066000	OUTER BRAKE DISK PROTECTOR	2
5	0985120003	SELF LOCKING NUT DIN0985-M12	2
6	83009013000	SPACER BUSHING	2
7	0760224070	SHAFT SEAL RING BSL 22X40X7NBR	2
8	0625062028	BALL BEARING 6202-2RSH/C3	2
10	83009014000	BEARING SPACER BUSHING	2
11	0625062047	BALL BEARING 6204-2RSH/C3	2
12	83009015000	SPACER BUSHING	2
13	0760285270	SHAFT SEAL RING BSL 28X52X7NBR	2
14	83009060000	BRAKE DISK	2
15	0738080166S	FLAT HEAD SCREW ISO7380 M8X16	8
16	0025080206	HH COLLAR SCREW M8X20 TX40	4
17	83009065000	BRAKE DISK PROTECTOR	2
18	83009010044	FRONT WHEEL HUB CPL. SP 2008	2
19	83009076000	VALVE	2

088300910 / C088300910

\* NEW PART

X AS REQUIRED

# REAR WHEEL

450 XC ATV 2008

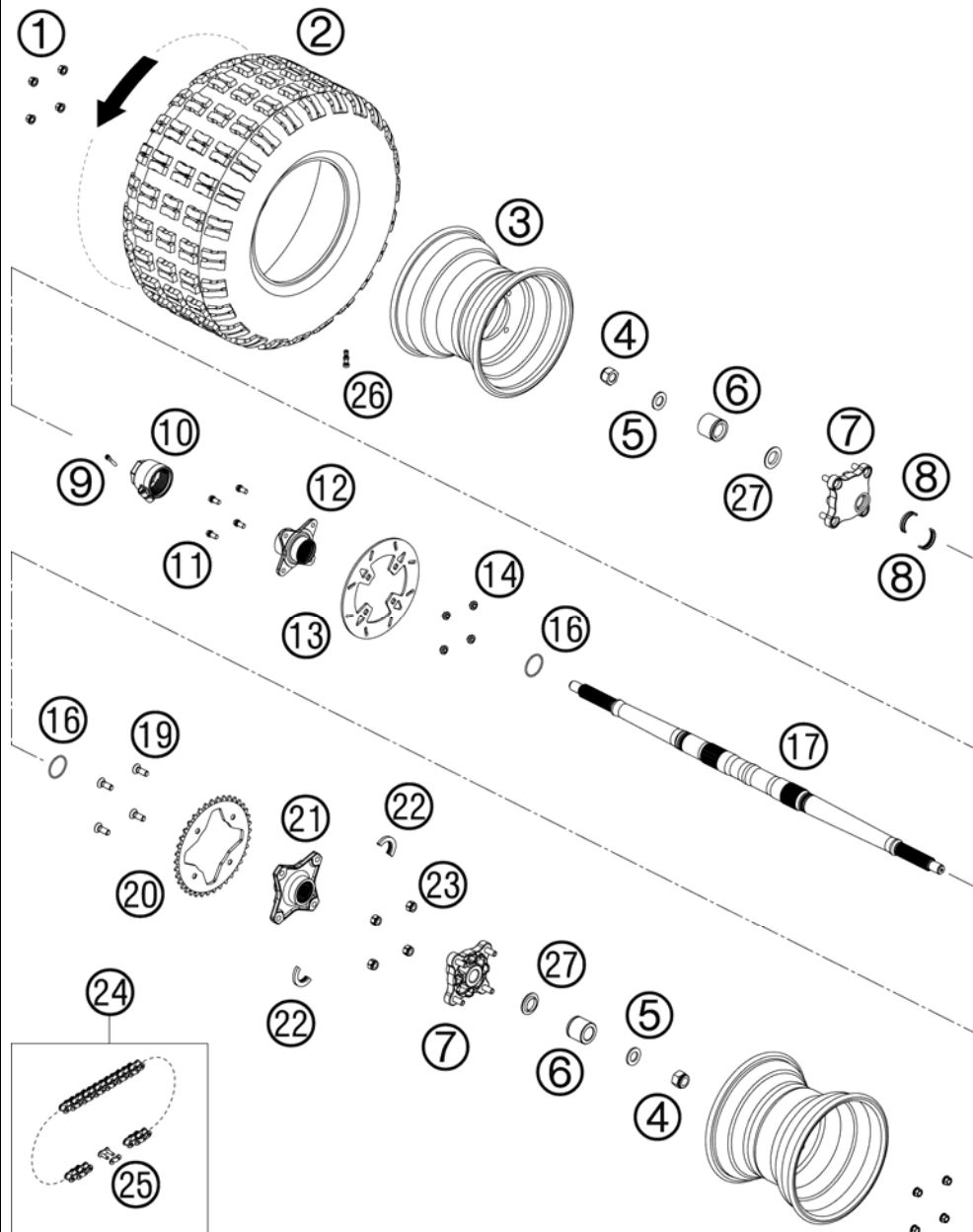


FIG	PART NUMBER	DESCRIPTION	QTY
1	58414030000	HH COLLAR NUT M10X1,25 WS=13	8
2	83010074000	TIRE REAR 20X11-9 4PR	2
3	83010070000	RIM REAR 8X9"	2
4	0985181503	SELF LOCK.NUT DIN0985-M18X1,5	2
5	0125190003	WASHER DIN0125 A 19	2
6	83010013000	SPACER BUSHING	2
7	83010069044	REAR WHEEL HUB CPL.	2
8	83010063000	CIRCLIP REAR AXLE	2
9	0912060303	AH SCREW DIN0912-M 6X30	1
10	83010064000	TENSION NUT	1
11	0025080166	HH COLLAR SCREW M8X16 TX40	4
12	83010062000	BRAKE DISK SUPPORT 08	1
13	83010060000	BRAKE DISK REAR D=200 MM	1
14	83010060050	SPECIAL NUT BRAKE DISK FIXING	4
16	0770039026	O-RING 39,34X2,62 NBR 70 SH	2
17	83010016000	REAR WHEEL AXLE	1
19	60003004027	FL.HEAD SCREW M10X1,25 L=27 03	4
20	83010051038	SPROCKET 38T	x
21	83010050000	SPROCKET SUPPORT 08	1
22	83010063100	CIRCLIP REAR AXLE SPROCKET	2
23	0982101253	SELF LOCK.NUT M10X1,25	4
24	50310800118	CHAIN Z-RING 5/8X1/4"	1
25	50310366000	CONNECTING LINK F. 50310800118	1
25	50310866000	MASTER LINK FOR 50310800118	x
26	83009076000	VALVE	2
27	83010014000	CONUSRING REAR AXLE	2

088301010 / C088301010

\* NEW PART

X AS REQUIRED



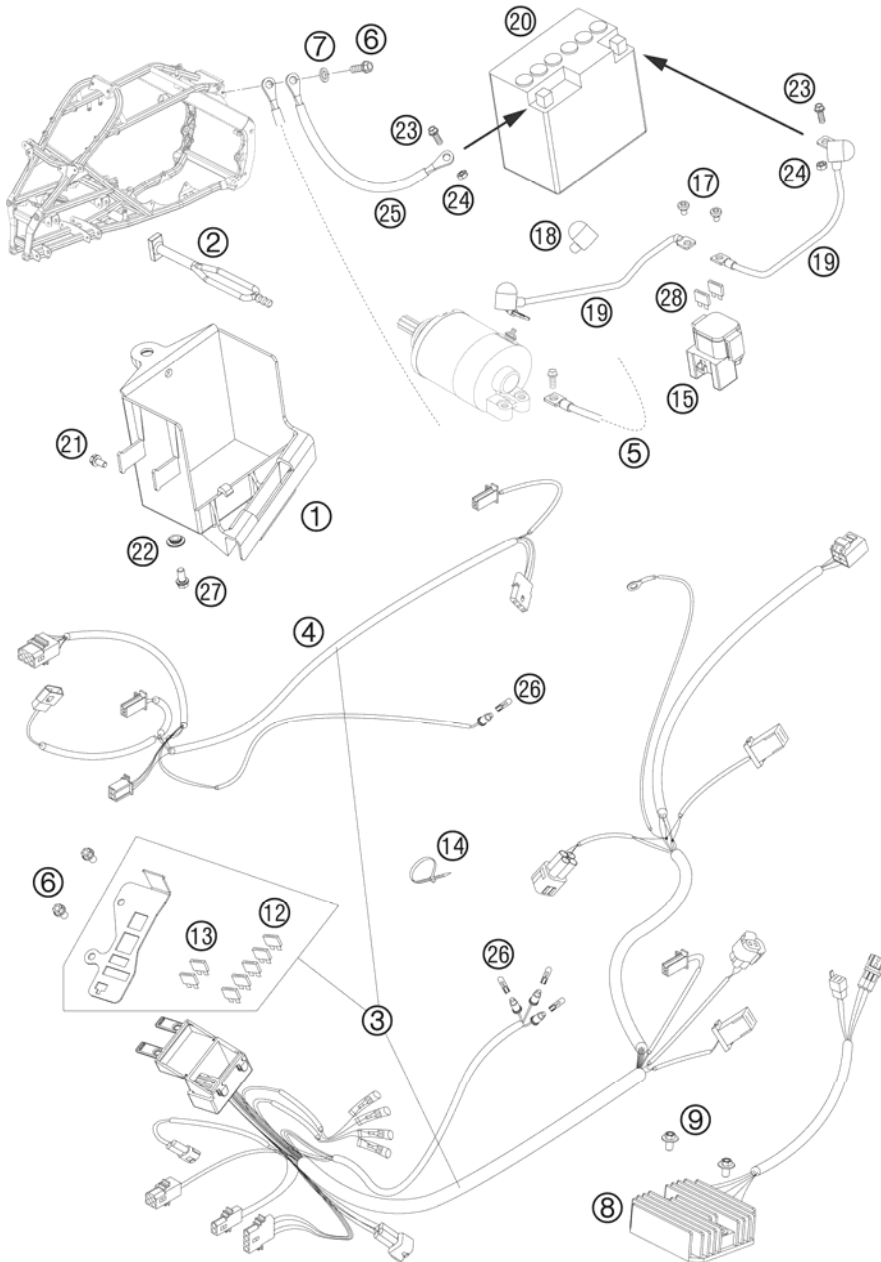


FIG	PART NUMBER	DESCRIPTION	QTY
1	83011055000	BATTERY BOX	1
2	50303018000	RUBBER L=145MM	1
3	83011075050	MAIN/LIGHT WIRING HARNESS 08	1
4	83011079000	LIGHTING WIRING HARNESS 08	1
5	83011097100	GROUND CABLE 2	1
6	0025060166	HH COLLAR SCREW M6X16 TX30	3
7	58411098100	CONTACT WASHER M6 VSV-K6	1
8	83011034000	VOLTAGE REGULATOR	1
9	0025060206	HH COLLAR SCREW M6X20 TX30	2
12	58011109110	FUSE 10 A 2000	5
13	58011109115	FUSE 15 A	2
14	44011076100	CABLE TIE 100/2,5MM BLACK	x
14	44011076200	CABLE TIE 200/3,6MM BLACK	x
15	58211058000	STARTER RELAY 12V '99	1
17	0902060083	AH OVAL SCREW ISO 7380 M 6X8	2
18	58440099000	PROTECTION CAP F. STARTER ENG.	2
19	83011059000	STARTER CABLE	2
20	58511053000	BATTERY 12V 4AH YTX5L-BS	1
21	0025050103	COLLAR SCREW M5X12 TX	1
22	50308052000	BUSH FOR SPOILER 6X11X16X5 MM	1
23	0023060123	COLLAR SCREW M6X12 TX	2
24	0934060003	HEXAGON NUT DIN0934-M 6	2
25	83011097000	GROUND CABLE 1	1
26	49111425000	BULB 12V 1,2W (W2X4,6D)	4
27	0025060126	HH COLLAR SCREW M6X12 TX30	1
28	58011109120	FUSE 20 A	2

088301110 / C088301110

\* NEW PART

X AS REQUIRED

# HAND BRAKE CYLINDER

450 XC ATV 2008

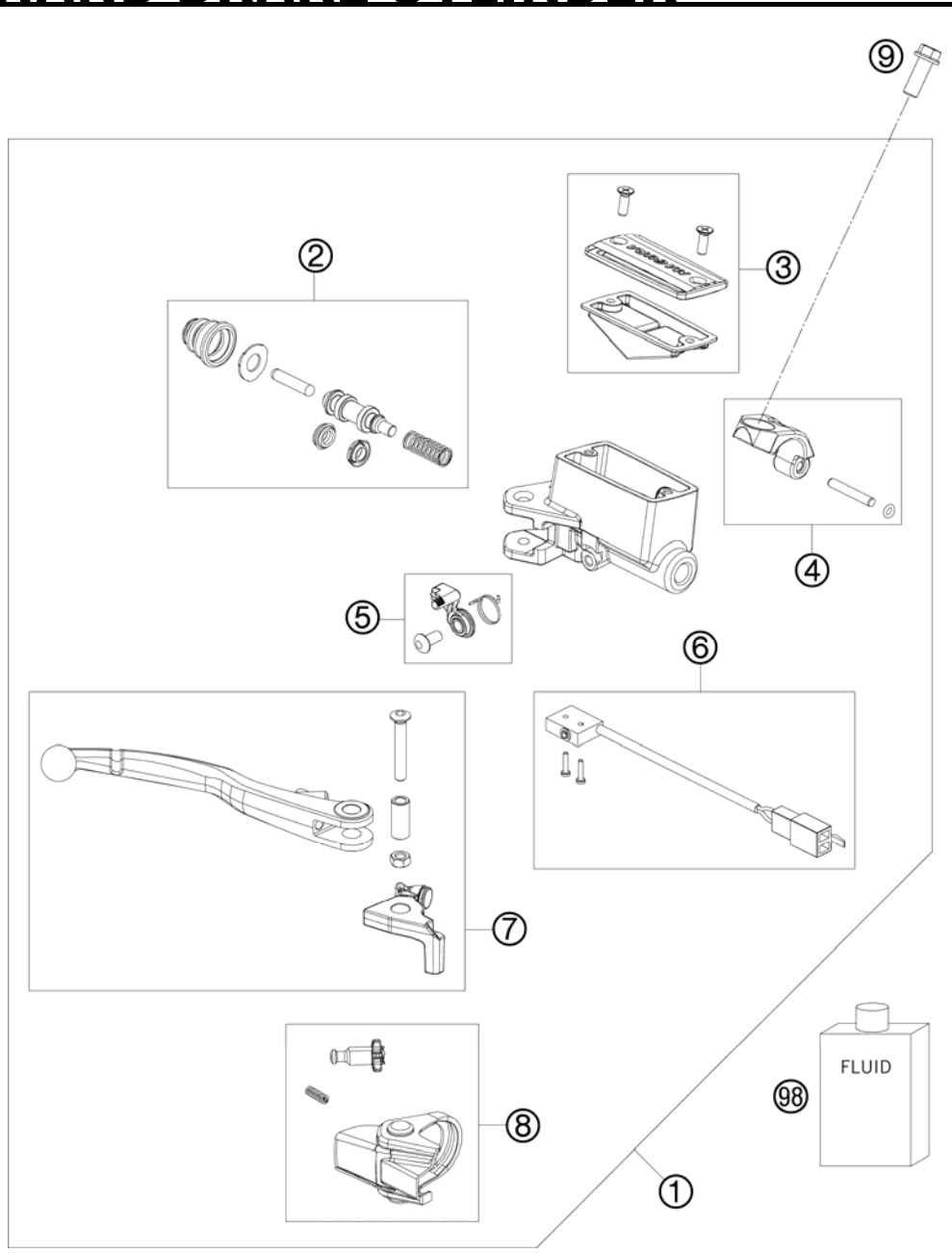


FIG	PART NUMBER	DESCRIPTION	QTY
1	83013001000	HAND BRAKE CYL. MAGURA 12MM	1
2	83013008000	REPAIR KIT PISTON MAGURA 12MM	1
3	83013003000	COVER, MEMBRANE, SCREW	1
4	83013005000	CLAMP, CYL. PIN, O-RING	1
5	83013009000	ARRESTING LEVER, SPRING, SCREW	1
6	50311051100	BRAKE LIGHT SWITCH REAR '98	1
7	83013002000	HAND-BRAKE LEVER CPL. MAGURA	1
8	83013004000	CAP, ADJUSTING SCREW, SPRING	1
9	0025060166	HH COLLAR SCREW M6X16 TX30	1
98	00062030000	BRAKE FLUID DOT5.1 0,25L	1

088301310 / C088301310

\* NEW PART

X AS REQUIRED



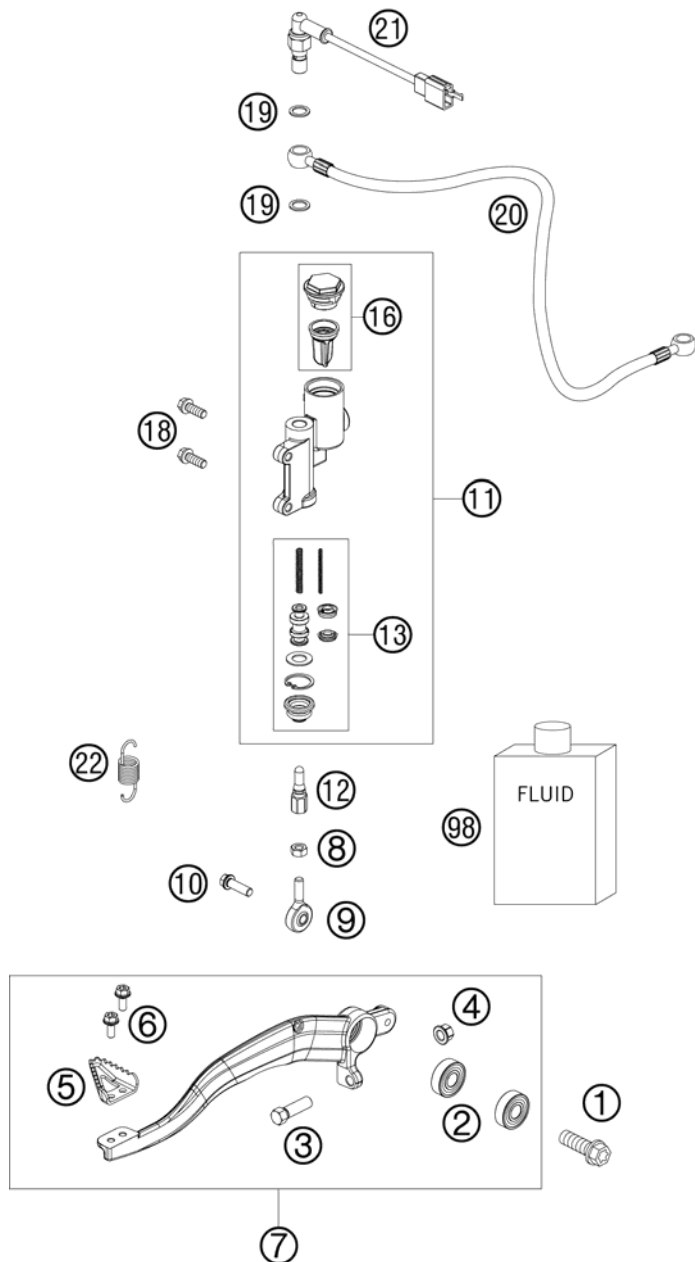


FIG	PART NUMBER	DESCRIPTION	QTY
1	0025100306	COLLAR SCREW M10X30 TX	1
2	0625060002	BALL BEARING SKF 6000-2RS1	2
3	59001037000	SPECIAL SCREW M8X26 WS=10	1
4	46030045000	COLLAR NUT M8 WS=10	1
5	60013051000	STEP PLATE FOOT BRAKE LEVER 03	1
6	0025050126	HH COLLAR SCREW M5x12 TX30	2
7	83013050044	FOOT BRAKE LEVER CPL. ATV	1
8	0985060003	SELF LOCK. NUT DIN0985-M 6	1
9	54813055000	SWIVEL HEAD KA6 03	1
10	0025060206	HH COLLAR SCREW M6X20 TX30	1
11	83013060000	FOOT BRAKE CYL. MAGURA 13MM	1
12	83013056000	PUSH ROD	1
13	83013061000	REPAIR KIT PISTON MAGURA 13 MM	1
16	83013062000	COVER, MEMBRANE MAGURA	1
18	0025060166	HH COLLAR SCREW M6X16 TX30	2
19	59413013050	COPPER GASKET	2
20	83013070000	BRAKE HOSE REAR 630MM	1
21	50311051100	BRAKE LIGHT SWITCH REAR '98	1
22	83003062000	RETURN SPRING F. BRAKE LEVER	1
98	00062030000	BRAKE FLUID DOT5.1 0,25L	1

088301330 / C088301330

\* NEW PART

X AS REQUIRED

# BRAKE CALIPER FRONT

450 XC ATV 2008

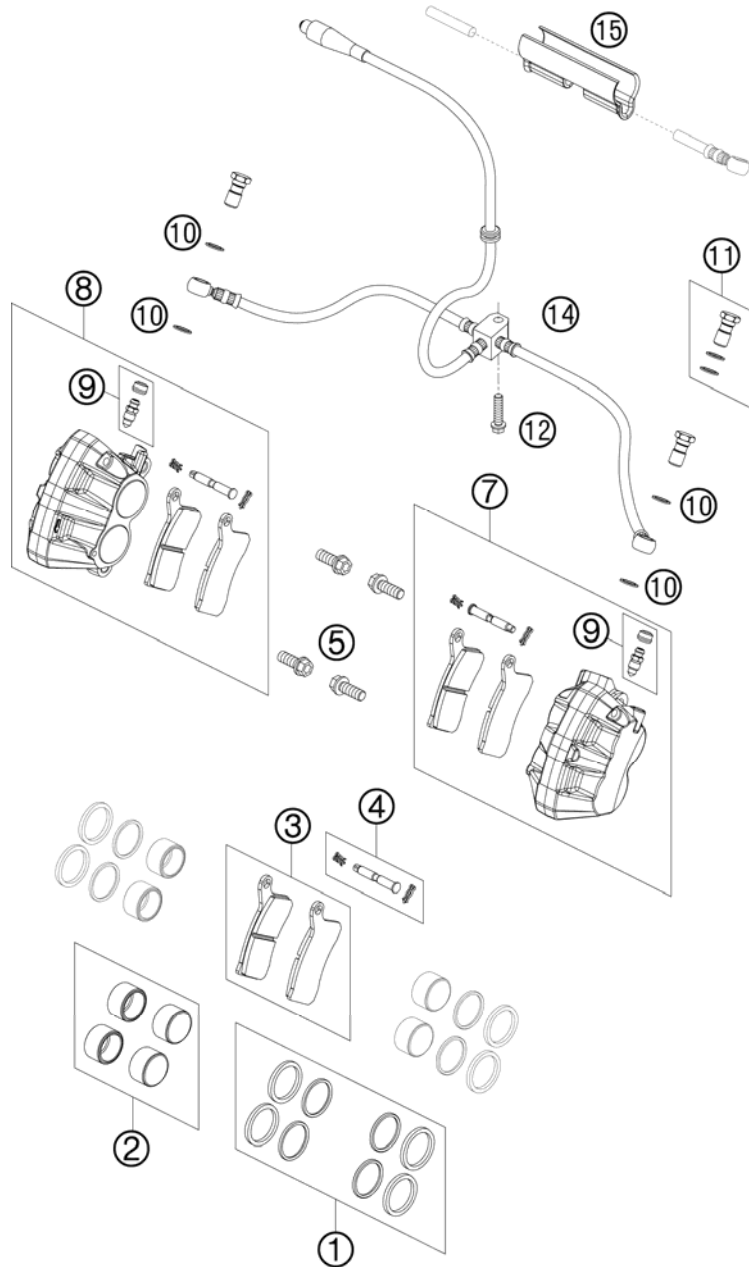


FIG	PART NUMBER	DESCRIPTION	QTY
1	83013021000	SEALING RING 8X MAGURA 26MM	1
2	83013019000	PISTON KIT 4X MAGURA 26MM	1
3	83013030100	BRAKE PAD SET FRONT ORGANIC	2
4	83013017000	SET - BOLT 1X, PIN 2X	2
5	0025080206	HH COLLAR SCREW M8X20 TX40	4
7	83013015000	CALIPER FRONT L/S MAGURA 26MM	1
8	83013016000	CALIPER FRONT R/S MAGURA 26MM	1
9	54732064000	BLEEDER SCREW WITH CAP	2
10	59413013050	COPPER GASKET	4
11	59032062000	HOLLOW SCREW + COPPER GASKET	2
12	0025060256	HH COLLAR SCREW M6X25 TX30	1
14	83013012000	BRAKE PIPE FRONT 790 2X610MM	1
15	83013012050	BRAKE LINE GUIDE	2

088301360 / C088301360

\* NEW PART

X AS REQUIRED

# BRAKE CALIPER REAR

450 XC ATV 2008

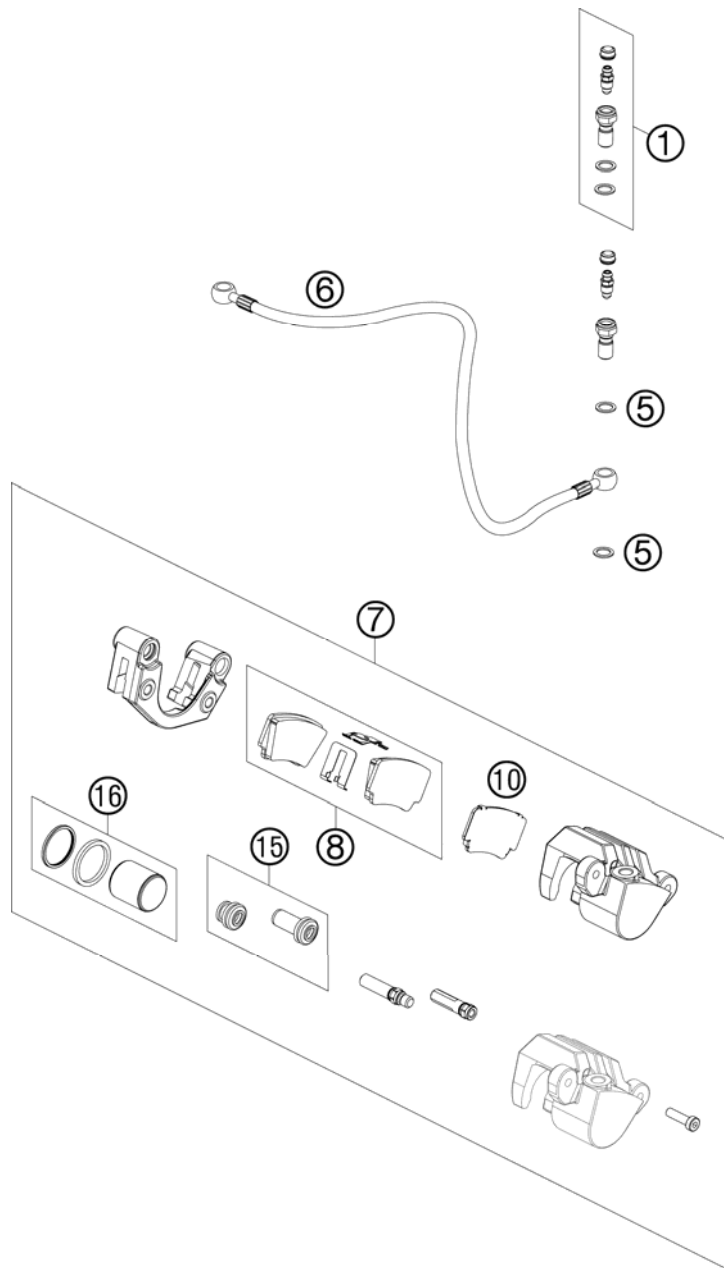


FIG	PART NUMBER	DESCRIPTION	QTY
1	50332062000	HOLLOW SCREW CPL. M 10X1 '98	1
5	59413013050	COPPER GASKET	2
6	83013070000	BRAKE HOSE REAR 630MM	1
7	83013080000	BRAKE CALIPER MAGURA 28MM	1
8	83013090100	BRAKE PADS REAR ORGANIC	1
10	83013089000	ISOLATOR CPL.	1
15	83013084000	CUP SET	1
16	83013081000	REPAIR KIT PISTON MAGURA 28MM	1

088301390 / C088301390

\* NEW PART

X AS REQUIRED

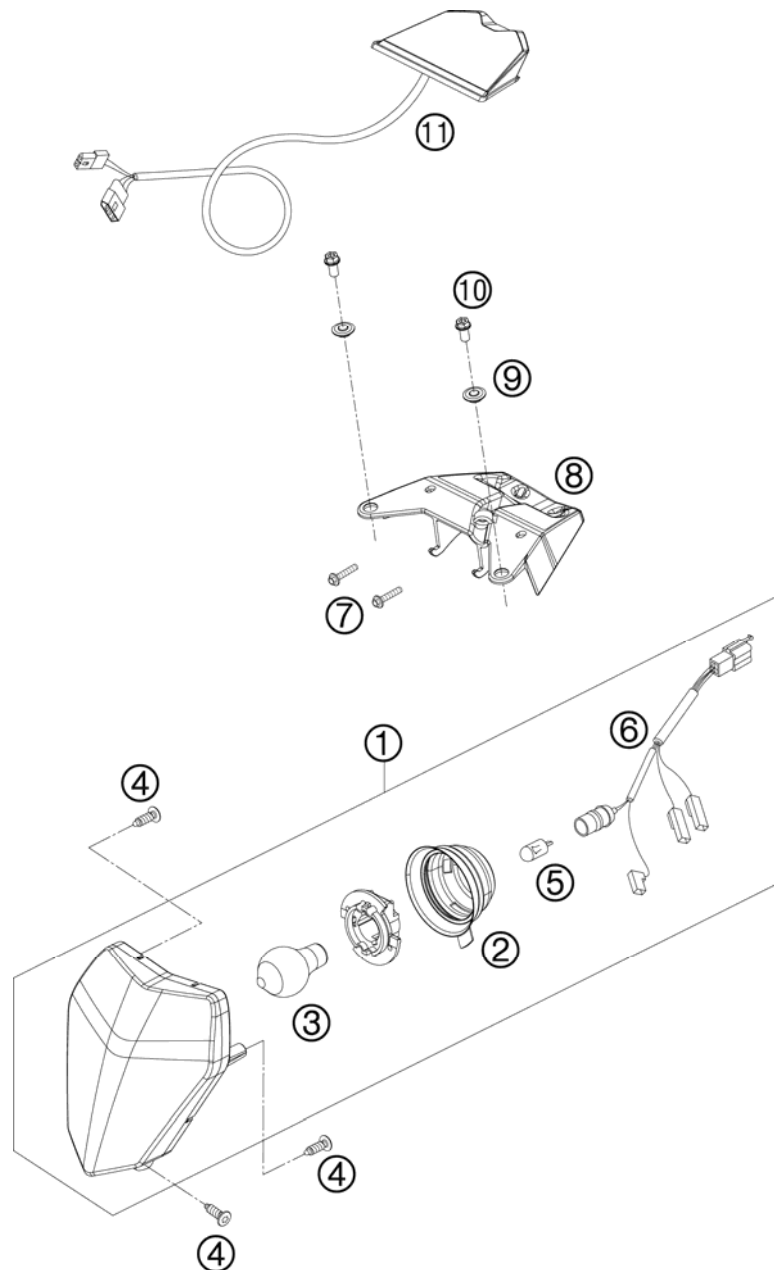


FIG	PART NUMBER	DESCRIPTION	QTY
1	83014001000	HEADLIGHT ATV	1
2	54814001050	RUBBER CAP FOR HEAD LIGHT 05	1
3	44111038000	BILUX-BULB 12V 35/35W BA20D	1
4	0081050181	SCREW FOR PLASTIC K50X18 T20	3
5	49011435100	BULB 12V 5W (W2,1X9,5D) PHIL.	1
6	54811001050	CABLE FOR HEAD LIGHT 2005	1
7	0017060203	EJOT PT SCREW K60X20 WS=6	2
8	83008013050	TAILLIGHT SUPPORT	1
9	50308052000	BUSH FOR SPOILER 6X11X16X5 MM	2
10	0025060126	HH COLLAR SCREW M6X12 TX30	2
11	83014040000	TAILLIGHT ATV	1

088301410 / C088301410

\* NEW PART

X AS REQUIRED

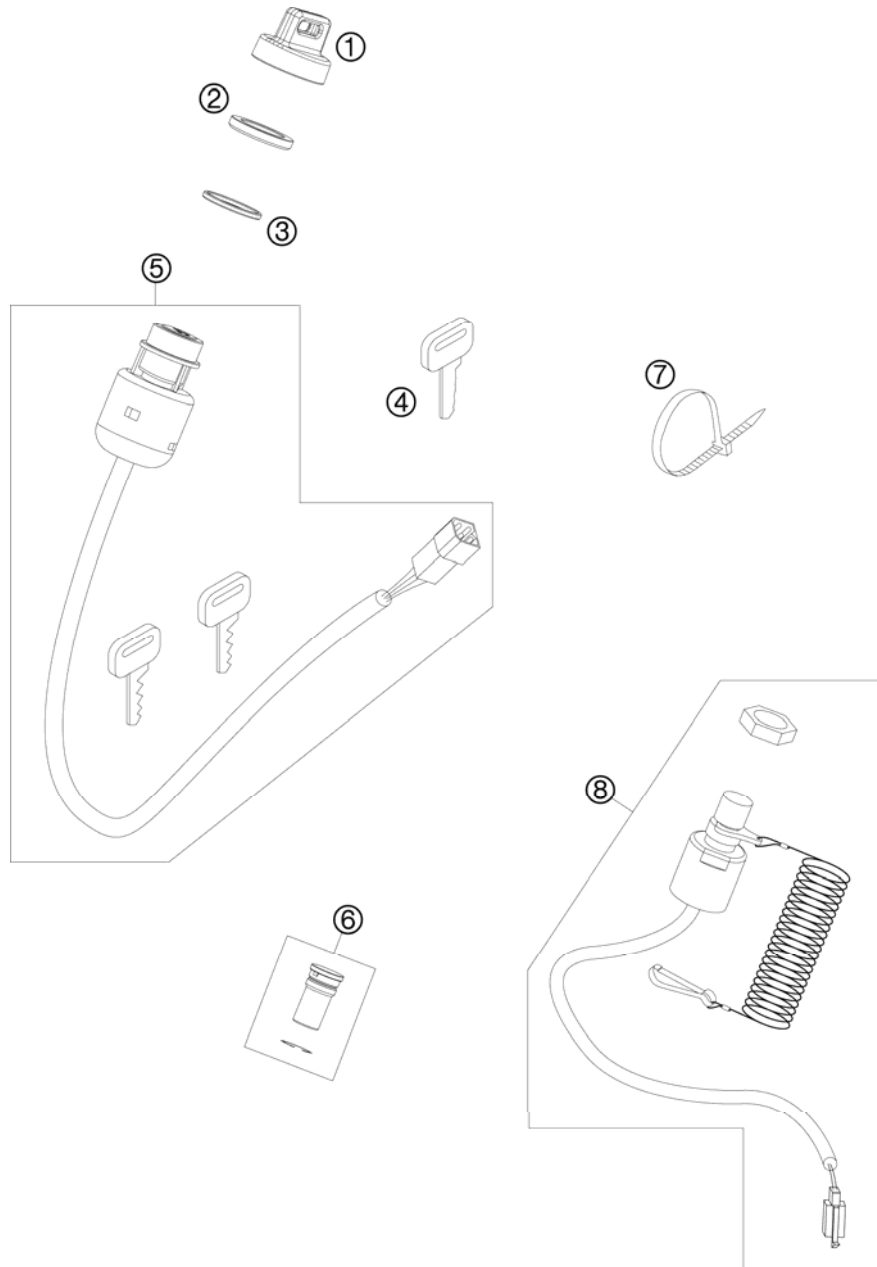


FIG	PART NUMBER	DESCRIPTION	QTY
1	83011067050	KEY COVER CAP	1
2	50311066050	IGNITION LOCK NUT M24X1	1
3	58411066450	WASHER F. IGNITION LOCK 03	1
4	40011166200	KEY BLANK BLACK "T" GRIP	1
5	83011066000	IGNITION LOCK	1
6	58011021300	H.BEAM INDICATOR LIGHT BLUE'98	1
6	58011023300	NEUTRAL INDIC. LIGHT GREEN '98	1
6	58314085000	INDICATOR LIGHT ORANGE "ON" 03	1
6	83011022000	REVERSE GEAR CONTROL LAMP	1
7	44011076100	CABLE TIE 100/2,5MM BLACK	x
8	83011089000	TETHER SWITCH	1

088301430 / C088301430

\* NEW PART

X AS REQUIRED

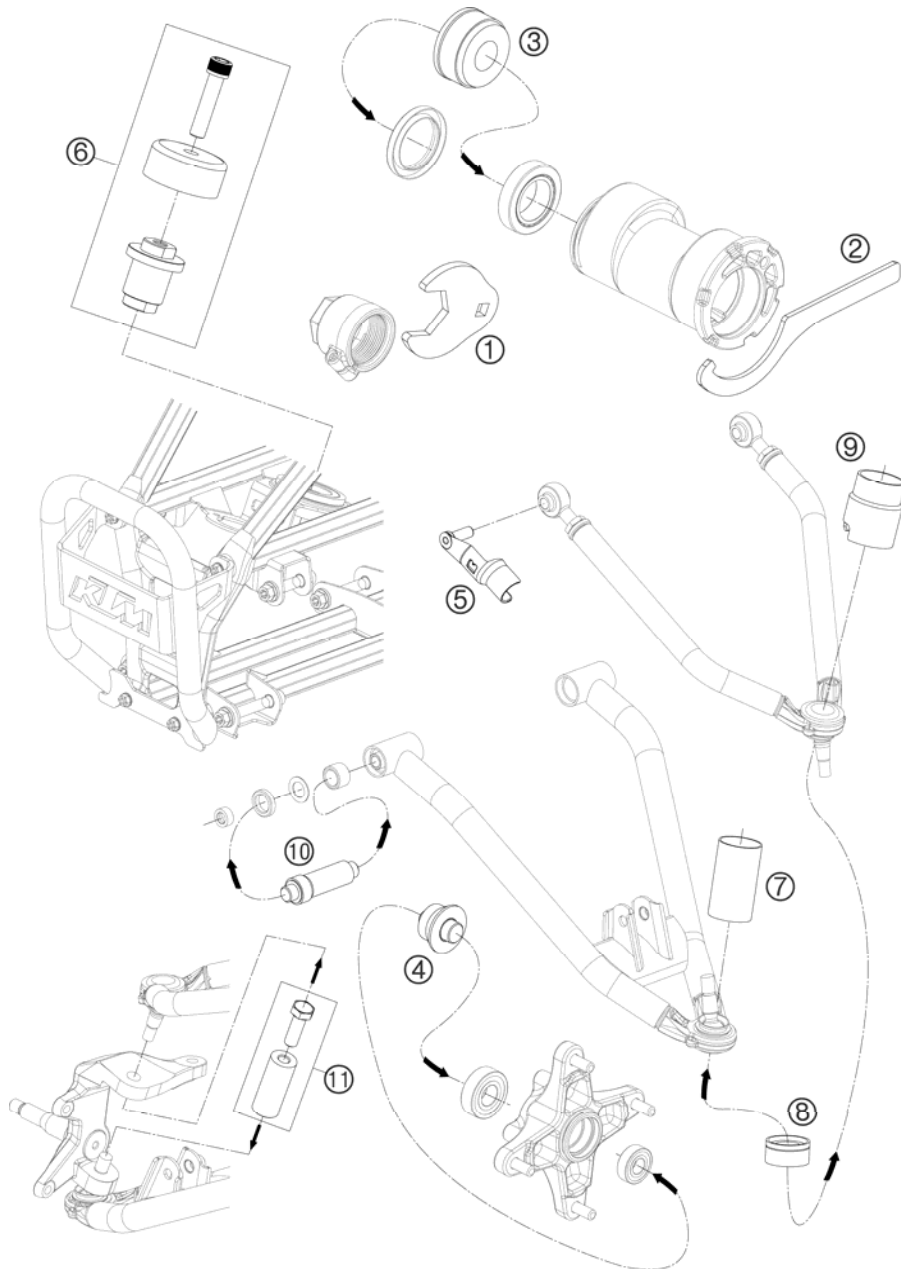


FIG	PART NUMBER	DESCRIPTION	QTY
1	83019010461	OPEN END WRENCH 46MM 1/2"DRIVE	1
2	83019011000	HOOK WRENCH F.BEARING ADJUSTM.	1
3	83019012000	PRESS TOOL FOR REAR EXCENTRIC	1
4	83019013000	PRESS TOOL FR. WHEEL HUB BEAR.	1
5	83019014000	CAL. F. CASTOR-/CAMBER ADJUST.	1
6	83019020000	PRESS TOOL FOR STEERING BEAR.	1
7	83019020100	WITHDRAWING SLEEVE BALL-HEAD	1
8	83019020130	PRESS TOOL FOR A-ARM BALL-HEAD	1
9	83019020150	SUPPORT DE/MOUNTING BALL-HEAD	1
10	83019020170	PRESS TOOL A-ARM NEEDLE BEAR.	1
11	83019021000	PRESS OUT TOOL CPL.	1

088301910 / C088301910

\* NEW PART

X AS REQUIRED



①  
OHNE ABBILDUNG  
WITHOUT ILLUSTRATION

①  
TECHNISCHE DOKUMENTATION  
TECHNICAL DOCUMENTATION  
DOCUMENTACION TECNICA  
DOCUMENTATION TECHNIQUE  
NOTE TECNICHE

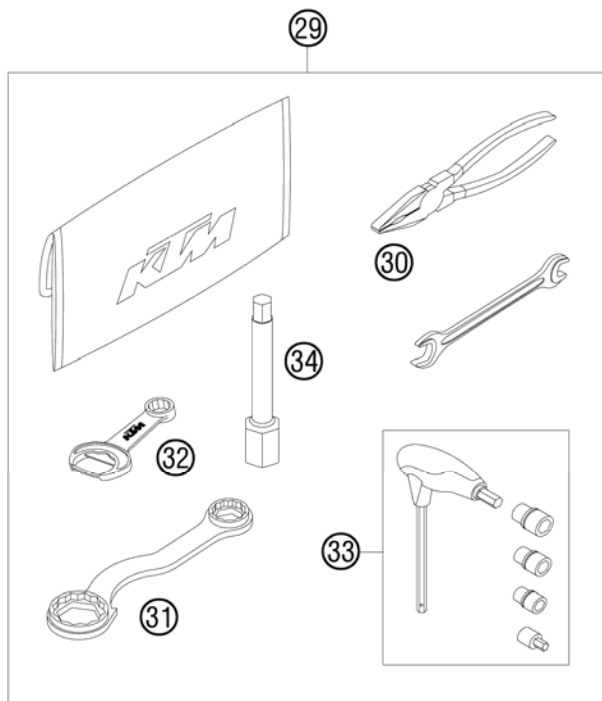


FIG	PART NUMBER	DESCRIPTION	QTY
0	0025060166	HH COLLAR SCREW M6X16 TX30	1
0	312305	DOCUMENTS BAG 2006	1
0	312313	KTM BALLPOINT ORANGE	1
0	3210039	CUSTOMER WELCOME LETTER	1
0	58411098100	CONTACT WASHER M6 VSV-K6	1
0	58511053000	BATTERY 12V 4AH YTX5L-BS	1
0	83011067050	KEY COVER CAP	1
0	83011097000	GROUND CABLE 1	1
0	83019014000	CAL. F. CASTOR-/CAMBER ADJUST.	1
1	3211251	OWN. MAN. 450/525 XC ATV 2008	1
1	3212080	ATV SAFETY BROCHURE	1
1	3CF8475HQEN	SPM CHASSIS ATV 450 XC 2008	1
1	3CM089505HEN	SPM ENGINE 450 XC ATV 2008	1
1	83003098400	SAFETY PLAQUETTE	1
29	78029099000	TOOL SET 08	1
30	53012028200	GRIP ORANGE B&F	1
31	50329080000	WRENCH WS=17/21/27/32	1
32	50329071000	WRENCH WS=13/17	1
33	60029070200	T-WRENCH WS=6/8/10 TX=45 B&F	1
34	78029072000	SPARK PLUG SOCKET	1

088302001 / C088302002

\* NEW PART

X AS REQUIRED

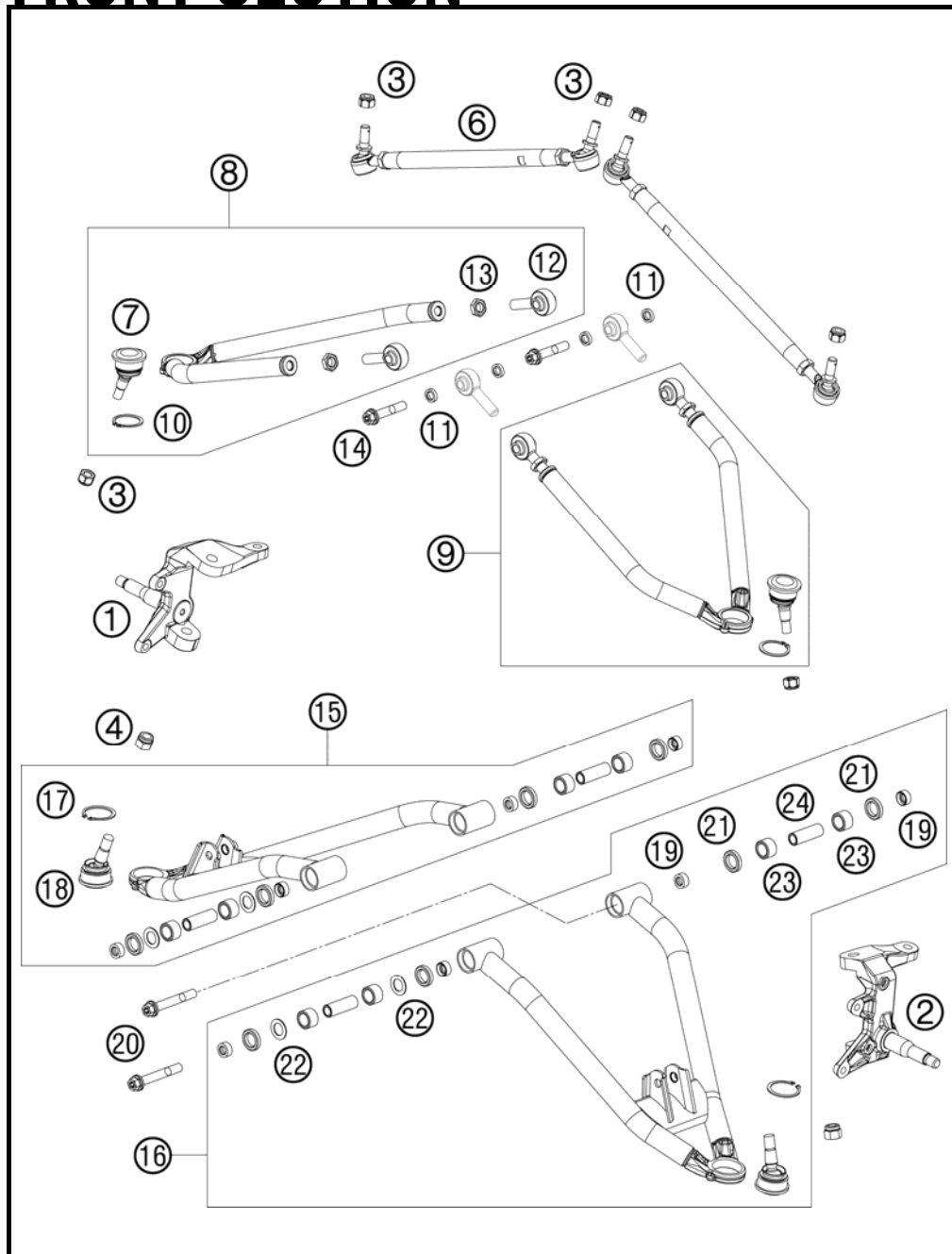


FIG	PART NUMBER	DESCRIPTION	QTY
1	83061006000	WHEEL CARRIER R/S CPL.	1
2	83061005000	WHEEL CARRIER L/S CPL.	1
3	0982101253	SELF LOCK.NUT M10X1,25	6
4	83061005025	SELF LOCK.NUT M12X1,5	2
6	83061010044	TRACK RODS CPL.	2
7	83061001050	BALL HEAD M10X1,25	2
8	83061003044	A-ARM TOP R/S XC CPL.	1
9	83061001044	A-ARM TOP L/S XC CPL.	1
10	0471320150	CIRCLIP DIN0471-32X1,5	2
11	83061001025	SPACER BUSHING F. BALLJOINT	8
12	83061001051	SWIVEL HEAD	4
13	0936120123	HEXAGON NUT DIN 936 M12x1,25	4
14	0023100523	COLLAR SCREW M10X52 TX	4
15	83061004044	A-ARM DOWN R/S XC CPL.	1
16	83061002044	A-ARM DOWN L/S XC CPL.	1
17	0471350150	CIRCLIP DIN0741-35X1,5	2
18	83061002050	BALL HEAD M12X1,5	2
19	83061034000	BUCKET F. SHAFT SEAL RING	8
20	0023100703	COLLAR SCREW M10X70 TX	4
21	0760172660	SHAFT SEAL RING 17X26X6	8
22	83061015000	STOP DISK 15,2X25,7X1	4
23	83061079000	NEEDLE BEARING HMK 1515	8
24	83061032000	BUSHING SLEEVE F. A/ARM	4

088306110 / C088306110

\* NEW PART

X AS REQUIRED





KTM-Sportmotorcycle AG  
A-5230 Mattighofen  
www.ktm.at

KTM Group Partner



3CF8475HQEN



Art.Nr.: 3CF8475HQEN 9/2007

## Free Manuals Download Website

<http://myh66.com>

<http://usermanuals.us>

<http://www.somanuals.com>

<http://www.4manuals.cc>

<http://www.manual-lib.com>

<http://www.404manual.com>

<http://www.luxmanual.com>

<http://aubethermostatmanual.com>

Golf course search by state

<http://golfingnear.com>

Email search by domain

<http://emailbydomain.com>

Auto manuals search

<http://auto.somanuals.com>

TV manuals search

<http://tv.somanuals.com>