



Assembly Instructions and Parts Manual
XACTA[®] Commercial Fence & Rails (50" Rip)
for JTAS-12-DX Table Saw



WALTER MEIER (Manufacturing) Inc.

427 New Sanford Road
LaVergne, Tennessee 37086
Ph.: 800-274-6848
www.waltermeier.com

Part No. M-708955Z

Revision A 08/2012

Copyright © 2012 Walter Meier (Manufacturing) Inc.

1.0 Warranty and Service

Walter Meier (Manufacturing) Inc., warrants every product it sells. If one of our tools needs service or repair, one of our Authorized Service Centers located throughout the United States can give you quick service. In most cases, any of these Walter Meier Authorized Service Centers can authorize warranty repair, assist you in obtaining parts, or perform routine maintenance and major repair on your JET® tools. For the name of an Authorized Service Center in your area call 1-800-274-6848.

MORE INFORMATION

Walter Meier is consistently adding new products to the line. For complete, up-to-date product information, check with your local Walter Meier distributor, or visit waltermeier.com.

WARRANTY

JET products carry a limited warranty which varies in duration based upon the product (MW = Metalworking, WW = Woodworking).

90 DAY WARRANTY	1 YEAR WARRANTY	Body Repair Kits Bottle Jacks Cable Pullers Cold Saws Hoists-Air Hoists-Electric Metal forming Mill/Drills Milling Machines MW Bandsaws MW Drill Presses MW Finishing Equipment MW Lathes MW Precision Vises	2 YEAR WARRANTY	Palet Trucks Rigging Equip. Service Jacks Stackers Surface Grinders Tapping Trolleys-Air Trolleys-Electric Web Slings Winches-Electric	3 YEAR WARRANTY	WW Benchtop Tools	5 YEAR WARRANTY	Beam Clamps Chain Hoist- Manual Lever Hoists Pullers-JCH Models Scissor Lift Tables Screw Jacks Trolleys-Geared Trolleys-Plain Winches-Manual WW Air Filtration WW Bandsaws WW Buffers	WW Drill Presses WW Dust Collectors WW Dust Filters WW Dust Fittings WW Jointers WW Lathes WW Planers WW Sanders WW Shapers WW Tablesaws	LIFE LIFETIME WARRANTY	Fastening Tools Mechanics Hand Tools Striking Tools Vises (no -precision) Clamps
<i>Warranty reverts to 1 Year Warranty if woodworking (WW) products listed above are used for industrial or educational purposes.</i>											

WHAT IS COVERED?

This warranty covers any defects in workmanship or materials subject to the exceptions stated below. Cutting tools, abrasives and other consumables are excluded from warranty coverage.

WHO IS COVERED?

This warranty covers only the initial purchaser of the product.

WHAT IS THE PERIOD OF COVERAGE?

The general JET warranty lasts for the time period specified in the product literature of each product.

WHAT IS NOT COVERED?

Five Year Warranties do not cover woodworking (WW) products used for commercial, industrial or educational purposes. Woodworking products with Five Year Warranties that are used for commercial, industrial or education purposes revert to a One Year Warranty. This warranty does not cover defects due directly or indirectly to misuse, abuse, negligence or accidents, normal wear-and-tear, improper repair or alterations, or lack of maintenance.

HOW TO GET SERVICE

The product or part must be returned for examination, postage prepaid, to a location designated by us. For the name of the location nearest you, please call 1-800-274-6848.

You must provide proof of initial purchase date and an explanation of the complaint must accompany the merchandise. If our inspection discloses a defect, we will repair or replace the product, or refund the purchase price, at our option. We will return the repaired product or replacement at our expense unless it is determined by us that there is no defect, or that the defect resulted from causes not within the scope of our warranty in which case we will, at your direction, dispose of or return the product. In the event you choose to have the product returned, you will be responsible for the shipping and handling costs of the return.

HOW STATE LAW APPLIES

This warranty gives you specific legal rights; you may also have other rights which vary from state to state.

LIMITATIONS ON THIS WARRANTY

WALTER MEIER (MANUFACTURING) INC., LIMITS ALL IMPLIED WARRANTIES TO THE PERIOD OF THE LIMITED WARRANTY FOR EACH PRODUCT. EXCEPT AS STATED HEREIN, ANY IMPLIED WARRANTIES OR MERCHANTABILITY AND FITNESS ARE EXCLUDED. SOME STATES DO NOT ALLOW LIMITATIONS ON HOW LONG THE IMPLIED WARRANTY LASTS, SO THE ABOVE LIMITATION MAY NOT APPLY TO YOU.

WALTER MEIER SHALL IN NO EVENT BE LIABLE FOR DEATH, INJURIES TO PERSONS OR PROPERTY, OR FOR INCIDENTAL, CONTINGENT, SPECIAL, OR CONSEQUENTIAL DAMAGES ARISING FROM THE USE OF OUR PRODUCTS. SOME STATES DO NOT ALLOW THE EXCLUSION OR LIMITATION OF INCIDENTAL OR CONSEQUENTIAL DAMAGES, SO THE ABOVE LIMITATION OR EXCLUSION MAY NOT APPLY TO YOU.

Walter Meier sells through distributors only. The specifications in Walter Meier catalogs are given as general information and are not binding. Members of Walter Meier reserve the right to effect at any time, without prior notice, those alterations to parts, fittings, and accessory equipment which they may deem necessary for any reason whatsoever. JET® branded products are not sold in Canada by Walter Meier.

2.0 Table of contents

Section	Page
1.0 Warranty and Service	2
2.0 Table of contents.....	3
3.0 Safety warnings	4
4.0 About this manual	5
5.0 Specifications.....	6
6.0 Setup and assembly	7
6.1 Tools required	7
6.2 Shipping contents	7
6.3 Front rail installation	7
6.4 Switch installation	8
6.5 Back rail installation.....	8
6.6 Guide tube.....	8
6.7 XACTA Fence	9
6.8 Leveling fence to saw table.....	9
6.9 Adjusting fence parallel to miter slot	9
6.10 Clamping Pressure.....	10
6.11 Checking 90° to Table.....	10
6.12 Cursor Adjustment.....	10
7.0 Replacement Parts.....	11
7.1.1 XACTA Fence Rail Assembly – Exploded View	11
7.1.2 XACTA Fence Rail Assembly – Parts List.....	11
7.2.1 XACTA Fence Assembly – Exploded View.....	12
7.2.2 XACTA Fence Assembly – Parts List	12



3.0 Safety warnings

1. Read and understand the entire owner's manual before attempting assembly or operation.
 2. Read and understand warnings posted on the machine and in this manual. Failure to comply with all of these warnings may cause serious injury.
 3. Replace warning labels if they become obscured or removed.
 4. The table saw on which this fence is used, is designed and intended for use by properly trained and experienced personnel only. If you are not familiar with the proper and safe operation of a table saw, do not use until proper training and knowledge have been obtained.
 5. Do not use the table saw for other than its intended use. If used for other purposes, Walter Meier (Manufacturing) Inc., disclaims any real or implied warranty and holds itself harmless from any injury that may result from that use.
 6. Always wear approved safety glasses/face shields while using the table saw. Everyday eyeglasses only have impact resistant lenses; they are not safety glasses.
 7. Before operating the table saw, remove tie, rings, watches and other jewelry, and roll sleeves up past the elbows. Remove all loose clothing and confine long hair. Non-slip footwear or anti-skid floor strips are recommended. Do not wear gloves.
 8. Always use the blade guard on all "through-sawing" operations. A through-sawing operation is one in which the blade cuts completely through the workpiece.
 9. Kickback occurs when the workpiece is thrown towards the operator at a high rate of speed. If you do not have a clear understanding of kickback and how it occurs, DO NOT operate the table saw!
 10. Wear ear protectors (plugs or muffs) during extended periods of operation.
 11. Some dust created by power sanding, sawing, grinding, drilling and other construction activities contain chemicals known to cause cancer, birth defects or other reproductive harm. Some examples of these chemicals are:
 - Crystalline silica from bricks, cement and other masonry products.
 - Arsenic and chromium from chemically treated lumber.
- Your risk of exposure varies, depending on how often you do this type of work. To reduce your exposure to these chemicals, work in a well-ventilated area and work with approved safety equipment, such as face or dust masks that are specifically designed to filter out microscopic particles.
12. Do not operate this machine while tired or under the influence of drugs, alcohol or any medication.
 13. Make certain switch is in OFF position before connecting the machine to the power supply.
 14. Make certain the machine is properly grounded.
 15. Make all machine adjustments or maintenance with the machine unplugged from the power source.
 16. Remove adjusting keys and wrenches. Form a habit of checking to see that keys and adjusting wrenches are removed from the machine before turning it on.
 17. Keep safety guards in place at all times when the machine is in use. If removed for maintenance purposes, use extreme caution and replace the guards immediately after completion of maintenance.
 18. Check damaged parts. Before further use of the machine, a guard or other part that is damaged should be carefully checked to determine that it will operate properly and perform its intended function. Check for alignment of moving parts, binding of moving parts, breakage of parts, mounting and any other conditions that may affect its operation. A guard or other part that is damaged should be properly repaired or replaced.
 19. Provide for adequate space surrounding work area and non-glare, overhead lighting.
 20. Keep the floor around the machine clean and free of scrap material, oil and grease.
 21. Keep visitors a safe distance from the work area. Keep children away.
 22. Make your workshop child proof with padlocks, master switches or by removing starter keys.
 23. Give your work undivided attention. Looking around, carrying on a conversation and "horse-play" are careless acts that can result in serious injury.


24. Maintain a balanced stance at all times so that you do not fall into the blade or other moving parts. Do not overreach or use excessive force to perform any machine operation.
25. Use the right tool at the correct speed and feed rate. Do not force a tool or attachment to do a job for which it was not designed. The right tool will do the job better and more safely.
26. Use recommended accessories; improper accessories may be hazardous.
27. Maintain tools with care. Keep saw blades sharp and clean for the best and safest performance. Follow instructions for lubricating and changing accessories.
28. Turn off the machine before cleaning. Use a brush or compressed air to remove chips or debris — do not use your hands.
29. Do not stand on the machine. Serious injury could occur if the machine tips over.
30. Never leave the machine running unattended. Turn the power off and do not leave the machine until it comes to a complete stop.
31. Remove loose items and unnecessary work pieces from the area before starting the machine.
32. Keep hands out of the line of saw blade.
33. Use a push-stick when required.
34. Pay particular attention to instructions on reducing risk of kickback.
35. Do not perform any operation freehand.
36. Never reach around or over saw blade.
37. Don't use in dangerous environment. Don't use power tools in damp or wet location, or expose them to rain. Keep work area well lighted.

4.0 About this manual

This manual is provided by Walter Meier (Manufacturing) Inc. covering the assembly and adjustment procedures for a JET XACTA® Fence system for the JTAS-12-DX Table Saw. This manual contains instructions on installation, safety precautions, and parts breakdown. Your fence has been designed and constructed to provide years of trouble-free operation if used in accordance with the instructions as set forth in this document.

If there are questions or comments, please contact your local supplier or Walter Meier. Walter Meier can also be reached at our web site: www.waltermeier.com.

Retain this manual for future reference. If the fence transfers ownership, the manual should accompany it.

 WARNING Read and understand the entire contents of the table saw manual before attempting operation of the rip fence. Failure to comply may cause serious injury.

5.0 Specifications

XACTA Fence:

Stock number	708955Z
Fence body length	40-1/2" (1029 mm)
Side plate length	42" (1067 mm)
Side plate thickness	19/32" (15 mm)
Side plate material	polyethylene
Fence width	4-1/4" (108 mm)
Fence height	2-1/2" (64 mm)
Head length	16" (406 mm)
Net weight (fence only)	23 lb (10.4 kg)
Paint finish	powder coat

Rail Assembly:

Stock number	708956Z
Maximum rip to right of blade	50" (1270 mm)
Maximum rip to left of blade	14" (356 mm)
Guide tube dimensions	84-3/8"L x 3"W x 2"H (2143 x 76 x 51 mm)
Front rail dimensions	72"L x 2-1/2"W x 2-1/2"H (1830 x 64 x 64 mm)
Rear rail dimensions	72" x 1-1/2"W x 1-1/2"H (1830 x 38 x 38 mm)
Paint finish	powder coat

The specifications in this manual were current at time of publication, but because of our policy of continuous improvement, Walter Meier (Manufacturing) Inc., reserves the right to change specifications at any time and without prior notice, without incurring obligations.

6.0 Setup and assembly

Open shipping cartons and check that all parts are intact. Report any damage immediately to your distributor. Read the instruction manual thoroughly for assembly, alignment, and maintenance instructions.

6.1 Tools required

- 1 #3 cross point screwdriver
- 1 7/16" wrench
- 1 1/2" wrench
- 1 Combination square & straight edge
- 1 1/4" hex key
- 1 3/16" hex key

6.2 Shipping contents

- 1 XACTA Fence II
- 1 Front rail
- 1 Back rail
- 1 Guide tube
- 3 Black plastic end covers
- 1 Owner's manual
- 1 Warranty registration card
- 1 Hardware package (p/n XF12DX-HP)* contains:
 - 7 Flat head screws, 1/4 x 1-1/2 (HP-1)
 - 5 Hex cap screws, 1/4 x 1-1/2 (HP-2)
 - 7 Hex cap screws, 1/4 x 3/4 (HP-3)
 - 2 Hex cap screws, 5/16 x 3/4 (HP-4)
 - 2 Flat washers, 5/16 (HP-5)
 - 24 Flat washers, 1/4 (HP-6)
 - 19 Lock washers 1/4 (HP-7)
 - 12 Hex nuts 1/4 (HP-8)

* Hardware package is shipped inside guide tube. Contents are shown full scale in Figure 1.

6.3 Front rail installation

1. Identify the front rail (A, Figure 2), which is 2-1/2" x 2-1/2" with notches on one side and countersunk mounting holes on the other side.
2. Lightly secure front rail (A) to table with seven 1/4 x 1-1/2 screws, flat washers, lock washers and hex nuts (HP-1/6/7/8). Tighten just enough to hold rail next to table but loose enough to allow height adjustment.

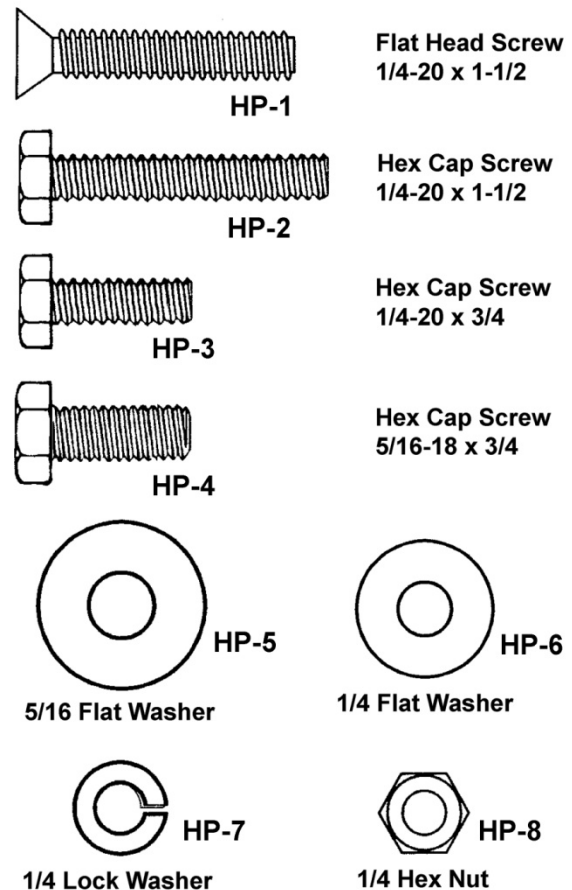


Figure 1

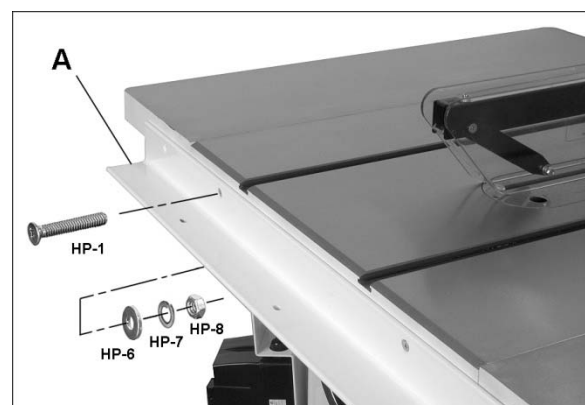


Figure 2

The front rail must be low enough to clear the miter gauge slot, and parallel to the table top:

1. Place an adjustable square on the table as shown in Figure 3.
2. Check height of front rail at several locations along the surface of the saw table. The front rail **must** be parallel with table top.
3. When front rail has been correctly positioned, use a screwdriver and 7/16" wrench to tighten nuts securely. However, do not tighten hardware for the farthest left hole; it should remain loose to accommodate switch installation (below).

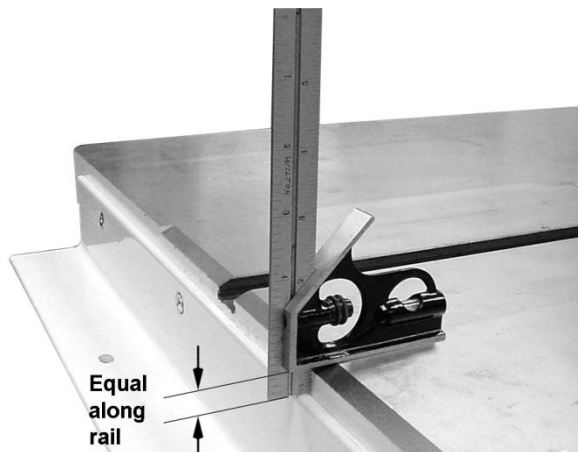


Figure 3

6.4 Switch installation

At this time refer to your JTAS-12DX Table Saw manual and mount the switch as described in the *Installing Switch* section. The switch should be mounted before the guide tube installation described later in this manual.

6.5 Back rail installation

1. Locate the back rail which is 2" x 2" with holes running along one side only. Height of back rail when attached to the saw is not critical.
2. Align holes in back rail to holes in table top.
3. Secure back rail to pre-tapped holes in saw table with two 5/16 screws and flat washers (**HP-4/5**), as shown in Figure 4. Tighten screws securely with 1/2" wrench.
4. Secure remainder of back rail with 1/4 screws, flat washers, lock washers, and hex nuts (**HP-2/6/7/8**) as shown in Figure 5.
5. Tighten all nuts.



Figure 4

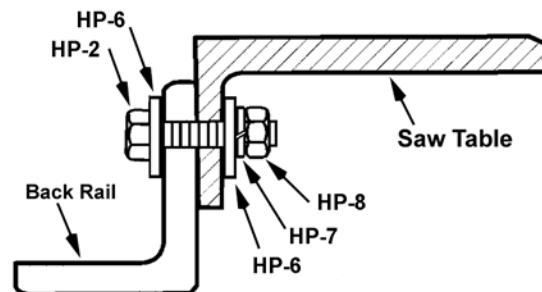


Figure 5

6.6 Guide tube

Important: Before proceeding with guide tube installation, the table saw switch should already be installed. If not, refer to the Switch Installation section in your JTAS-12-DX Saw manual.

Referring to Figure 6:

The guide tube (A) is placed on top of front rail (B) and is mounted with scale facing toward operator.

1. Align holes in bottom of guide tube with holes in front rail. When properly positioned, the guide tube should extend beyond the front rail about 6" in both directions.
2. Fasten guide tube (A) to front rail (B) from beneath, with seven 1/4" screws, lock washers, and flat washers (**HP-3/6/7**). Finger-tighten only until all screws are inserted.
3. Tighten all screws with a 7/16" wrench.

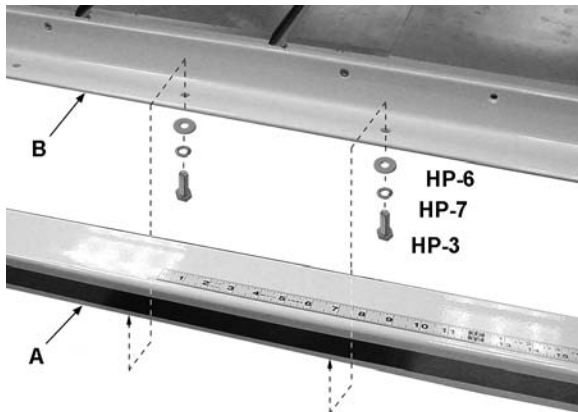


Figure 6

6.7 XACTA Fence

Screw knob into threaded handle on fence, as shown in Figure 7.

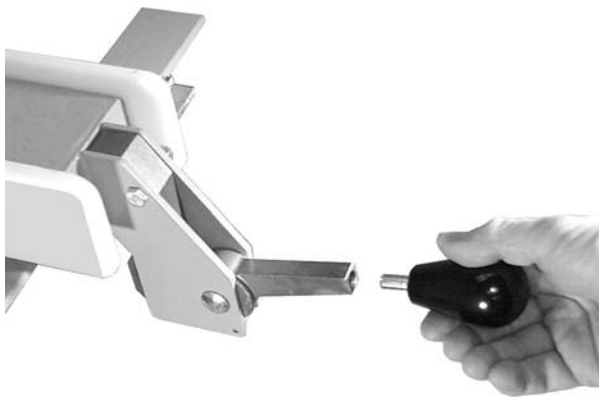


Figure 7

The lock lever has three functional positions as shown in Figure 8:

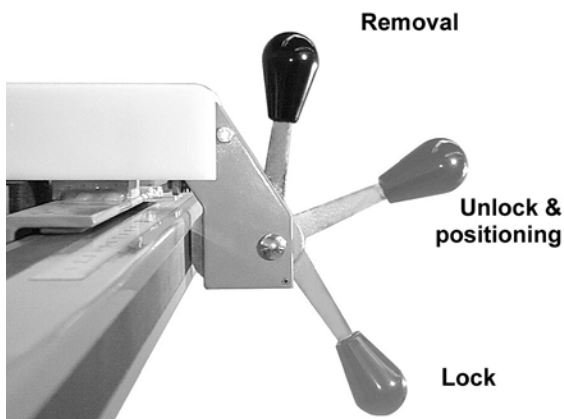


Figure 8

1. Upright position permits mounting and removal of fence from saw.
2. Unlock position permits easy fence positioning.
3. Lower position locks fence to guide tube. The cam handle should be pushed down firmly against the pin.

6.8 Leveling fence to saw table

Place fence on table and lock it.

1. View the fence from left side of saw (Figure 9). Look for the space *between the table and the fence bottom* to be equal along entire length of fence (A, B, Figure 9).

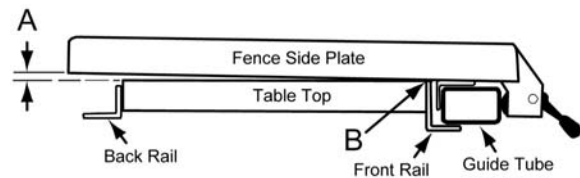


Figure 9

If adjustment is necessary:

2. Unlock fence.
3. Raise or lower two nylon adjustment screws (D, Figure 10) *the same number of turns* until the space between bottom of fence and table is the same. Care must be taken to raise or lower fence on each side equally or the fence may not be 90° to the table after the height adjustment is performed.

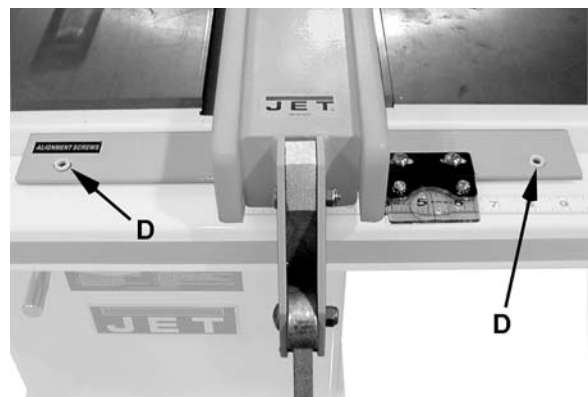


Figure 10

6.9 Adjusting fence parallel to miter slot

1. Place fence next to outside edge of right miter slot and lock it.
2. Fence should be even with miter slot from front to back.
3. If fence is not even along length of miter slot, unlock fence, remove it and turn it upside down.
4. Adjust one of two setscrews (A, Figure 11) until fence is even with miter slot edge along its entire length when locked.

Note: You may need to re-adjust the clamping pressure after aligning the fence.



Figure 11

6.10 Clamping Pressure

The XACTA Fence has been adjusted by the manufacturer to lock securely when lock handle is pushed down. If adjustment is needed:

1. Unlock fence.
2. Remove fence from guide tube and turn it over.
3. Adjust each of two setscrews (A, Figure 11) exactly the same number of rotations until the fence is held securely when lock handle is pushed down.

6.11 Checking 90° to Table

1. Place fence on saw table and lock it.
2. Place a square (A, Figure 12) on table next to fence. The fence should be 90° to the table.
3. If adjustment is necessary, unlock fence and turn one of two nylon adjustment screws (B, Figure 12) until fence is 90° to table.
4. Lock fence and check the adjustment again.

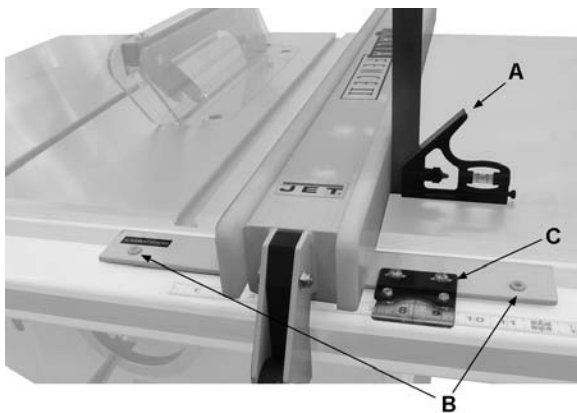


Figure 12

6.12 Cursor Adjustment

1. Disconnect saw from power source.
2. Raise blade above table top.
3. Unlock fence and slide it to approximately four inches from blade.
4. Lock the fence.
5. Measure distance between saw blade and inside of fence.
6. Adjust cursor (C, Figure 12) to read the distance just measured, and tighten cursor assembly to fence.
7. Make a test cut and confirm the adjustment is correct.

Note: If the cursor does not have enough travel to give the correct measurement, loosen guide rail and adjust as needed. If you still do not get the correct measurement, loosen front rail and adjust as needed. If you have to adjust front rail you will need to go through the front rail assembly instructions again.

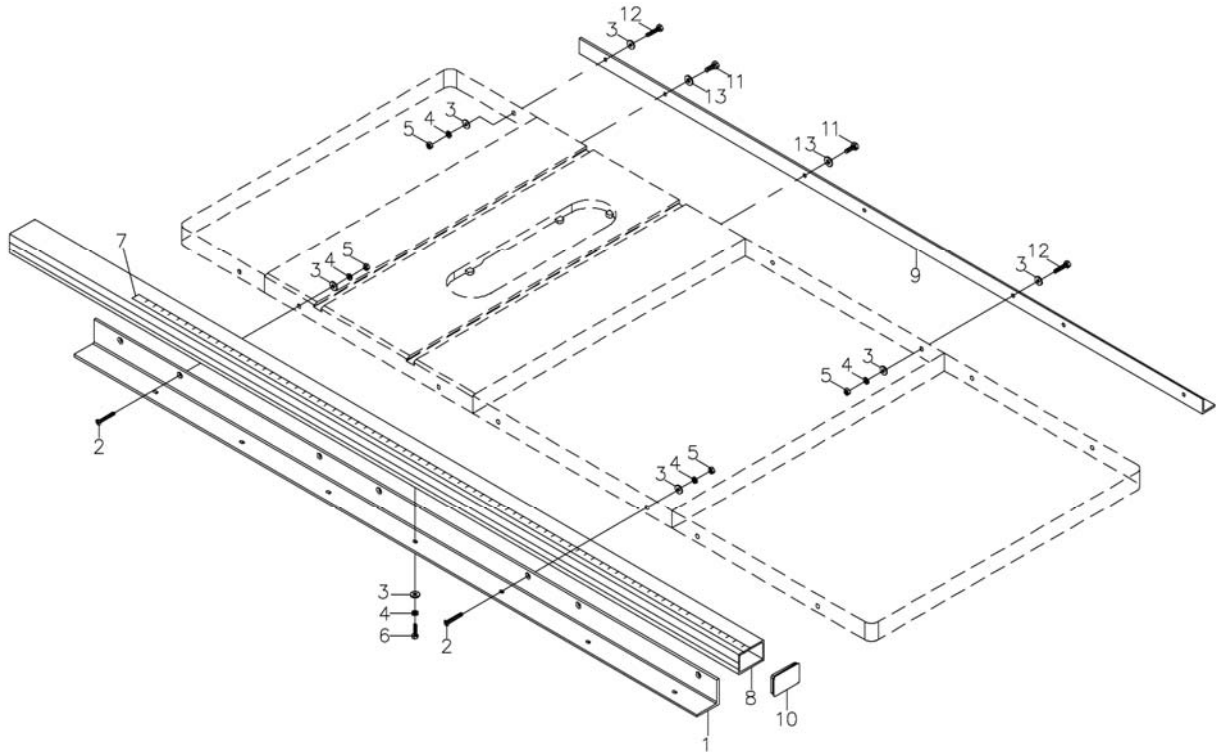
Cursor accuracy should be checked whenever a different blade is installed.

After installing the XACTA Fence, press the black plastic end covers into the openings of the guide rail. There is also an end cover for the fence that may already be installed.

7.0 Replacement Parts

Replacement parts are listed on the following pages. To order parts or reach our service department, call 1-800-274-6848 Monday through Friday (see our website for business hours, www.jettools.com). Having the Model Number and Serial Number of your machine available when you call will allow us to serve you quickly and accurately.

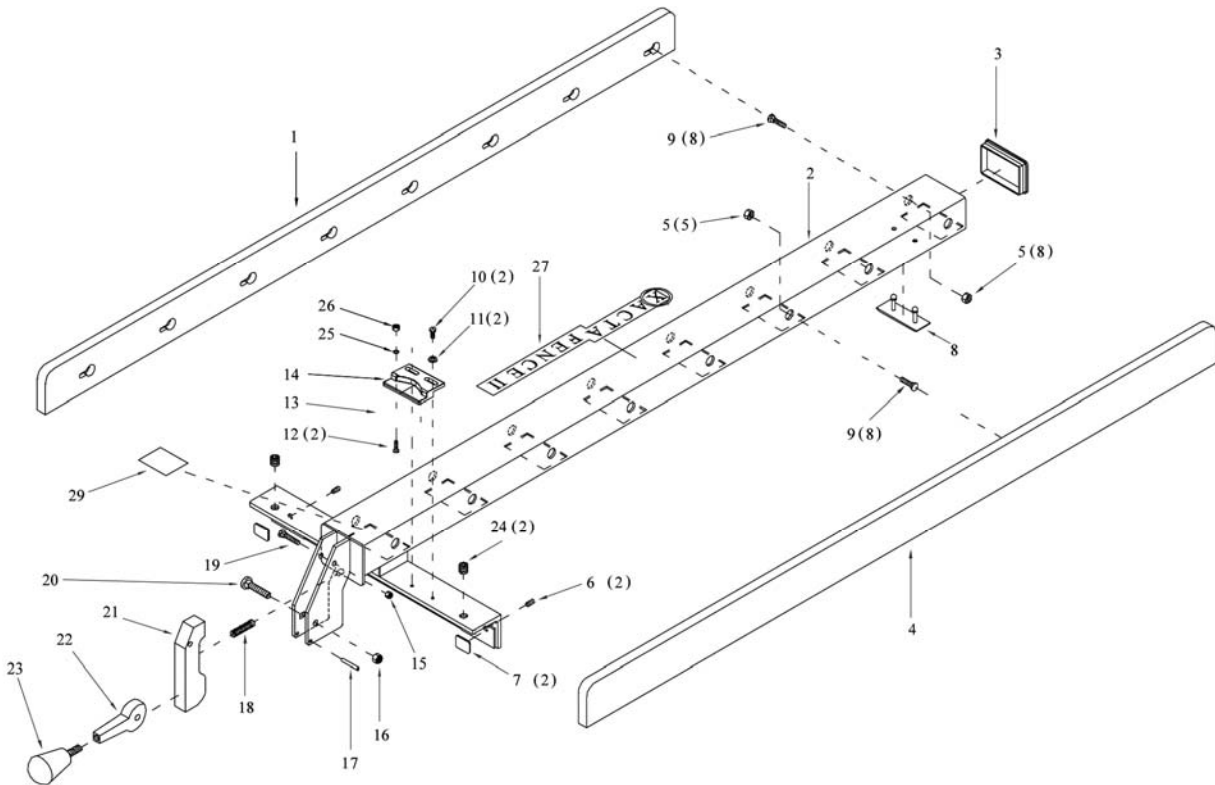
7.1.1 XACTA Fence Rail Assembly – Exploded View



7.1.2 XACTA Fence Rail Assembly – Parts List

Index No	Part No	Description	Size	Qty
.....	708956Z.....	XACTA Rail Assembly 50" (index # 1-13).....	1
1.....	XF12DX-201.....	Front Rail.....	1
2.....	TS-081F081.....	Flat Head Screw.....	1/4"-20 x 1-1/2".....	7
3.....	TS-0680021.....	Flat Washer.....	1/4".....	24
4.....	TS-0720071.....	Lock Washer.....	1/4".....	19
5.....	TS-0561011.....	Hex Nut.....	1/4"-20.....	12
6.....	TS-0050031.....	Hex Cap Screw.....	1/4"-20 x 3/4".....	7
7.....	XF2-207.....	Scale.....	50".....	1
8.....	XF2-208.....	Guide Rail.....	50".....	1
9.....	XF12DX-209.....	Rear Rail.....	50".....	1
10.....	XF2-210.....	Guide Cover.....	2
11.....	TS-0081031.....	Hex Cap Screw.....	5/16"-18 x 3/4".....	2
12.....	TS-0050071.....	Hex Cap Screw.....	1/4"-20 x 1-1/2".....	5
13.....	TS-0680031.....	Flat Washer.....	5/16".....	2
.....	XF12DX-HP.....	Hardware Package (index # 2-6 and 11-13).....

7.2.1 XACTA Fence Assembly – Exploded View



7.2.2 XACTA Fence Assembly – Parts List

Index No	Part No	Description	Size	Qty
.....	708955Z.....	XACTA Commercial Fence 40" (index # 1-29).....		1
1.....	XF12DX-101.....	Left Side Plate		1
2.....	XF12DX-102.....	Fence Body Assembly		1
3.....	XF2-103.....	Tube Cover		1
4.....	XF12DX-104.....	Right Side Plate		1
5.....	TS-0640071.....	Lock Nut	1/4" x 20.....	16
6.....	TS-0271031.....	Socket Set Screw	3/8"-16 x 3/8".....	2
7.....	3575081.....	Fluoroway Pad.....		2
8.....	XF-8A.....	Pad		1
9.....	TS-0151011.....	Carriage Bolt.....	1/4"-20 x 3/4".....	16
10.....	TS-081D022.....	Pan Head Machine Screw	10-32 x 3/8".....	2
11.....	TS-0680021.....	Flat Washer.....	1/4".....	2
12.....	TS-081D021.....	Flat Head Machine Screw.....	10-32 x 3/8".....	2
13.....	800708950D.....	Cursor.....		1
14.....	800708950C.....	Cursor Bracket.....		1
15.....	TS-0640071.....	Lock Nut	1/4" x 20.....	1
16.....	TS-0640081.....	Lock Nut	5/16"-18.....	1
17.....	XF2-117.....	Spring Pin.....	4 x 28mm.....	1
18.....	6813042.....	Compression Spring.....		1
19.....	TS-0151041.....	Carriage Bolt.....	1/4"-20x1-1/2".....	1
20.....	TS-0152031.....	Carriage Bolt.....	5/16"-18 x 1-1/2".....	1
21.....	3215301.....	Foot Cam.....		1
22.....	3076232.....	Lock Cam		1
23.....	6430055.....	Knob w/stud		1
24.....	XF-5.....	Nylon Adjustment Screw	1/2" x W12.....	2
25.....	TS-0680021.....	Flat Washer.....	1/4".....	2
26.....	TS-0560081.....	Hex Nut	10-32.....	2
27.....	XF-27.....	XACTA Fence II Label.....		1
29.....	XF-29.....	JET Label.....		1

Free Manuals Download Website

<http://myh66.com>

<http://usermanuals.us>

<http://www.somanuals.com>

<http://www.4manuals.cc>

<http://www.manual-lib.com>

<http://www.404manual.com>

<http://www.luxmanual.com>

<http://aubethermostatmanual.com>

Golf course search by state

<http://golfingnear.com>

Email search by domain

<http://emailbydomain.com>

Auto manuals search

<http://auto.somanuals.com>

TV manuals search

<http://tv.somanuals.com>