



OWNER'S MANUAL

JWCS-10A Cabinet Saw



JWCS-10A-PF Shown

JET EQUIPMENT & TOOLS, INC.
A WMH Company
www.jettools.com

P.O. BOX 1349
Auburn, WA 98071-1349
e-mail jet@jettools.com

Phone: 253-351-6000
Fax: 1-800-274-6840
M-708435 12/00

Important Information

**2-YEAR
LIMITED WARRANTY**

**JET offers a two-year limited
warranty on this product**

REPLACEMENT PARTS

Replacement parts for this tool are available directly from JET Equipment & Tools. To place an order, call 1-800-274-6848. Please have the following information ready:

1. Visa, MasterCard, or Discover Card number
2. Expiration date
3. Part number listed within this manual
4. Shipping address other than a Post Office box.

REPLACEMENT PART WARRANTY

JET Equipment & Tools makes every effort to assure that parts meet high quality and durability standards and warrants to the original retail consumer/purchaser of our parts that each such part(s) to be free from defects in materials and workmanship for a period of thirty (30) days from the date of purchase.

PROOF OF PURCHASE

Please retain your dated sales receipt as proof of purchase to validate the warranty period.

LIMITED TOOL AND EQUIPMENT WARRANTY

JET makes every effort to assure that its products meet high quality and durability standards and warrants to the original retail consumer/purchaser of our products that each product be free from defects in materials and workmanship as follows: 2 YEAR LIMITED WARRANTY ON THIS JET PRODUCT. Warranty does not apply to defects due directly or indirectly to misuse, abuse, negligence or accidents, repairs or alterations outside our facilities or to a lack of maintenance. JET LIMITS ALL IMPLIED WARRANTIES TO THE PERIOD SPECIFIED ABOVE FROM THE DATE THE PRODUCT WAS PURCHASED AT RETAIL. EXCEPT AS STATED HEREIN, ANY IMPLIED WARRANTIES OR MERCHANTABILITY AND FITNESS ARE EXCLUDED. SOME STATES DO NOT ALLOW LIMITATIONS ON HOW LONG THE IMPLIED WARRANTY LASTS, SO THE ABOVE LIMITATION MAY NOT APPLY TO YOU. JET SHALL IN NO EVENT BE LIABLE FOR DEATH, INJURIES TO PERSONS OR PROPERTY OR FOR INCIDENTAL, CONTINGENT, SPECIAL OR CONSEQUENTIAL DAMAGES ARISING FROM THE USE OF OUR PRODUCTS. SOME STATES DO NOT ALLOW THE EXCLUSION OR LIMITATION OF INCIDENTAL OR CONSEQUENTIAL DAMAGES, SO THE ABOVE LIMITATION OR EXCLUSION MAY NOT APPLY TO YOU. To take advantage of this warranty, the product or part must be returned for examination, postage prepaid, to an authorized service station designated by our Auburn office. Proof of purchase date and an explanation of the complaint must accompany the merchandise. If our inspection discloses a defect, JET will either repair or replace the product or refund the purchase price, if we cannot readily and quickly provide a repair or replacement, if you are willing to accept such refund. JET will return repaired product or replacement at JET's expense, but if it is determined there is no defect, or that the defect resulted from causes not within the scope of JET's warranty, then the user must bear the cost of storing and returning the product. This warranty gives you specific legal rights, and you have other rights, which vary, from state to state.

JET Equipment & Tools • P.O. Box 1349, Auburn, WA 98071-1349 • (253) 351-6000

WARNING

1. **Read and understand the entire instruction manual before attempting assembly or operation.**
2. **This table saw is designed and intended for use by properly trained and experienced personnel only. If you are not familiar with the proper and safe operation of a table saw, do not use until proper training and knowledge have been obtained.**
3. Always wear approved safety glasses/face shields while using this machine.
4. Make certain the machine is properly grounded.
5. Before operating the machine, remove tie, rings, watches, other jewelry, and roll up sleeves above the elbows. Remove all loose clothing and confine long hair. Do **not** wear gloves.
6. Keep the floor around the machine clean and free of scrap material, oil and grease.
7. Keep machine guards in place at all times when the machine is in use. If removed for maintenance purposes, use extreme caution and replace the guards immediately.
8. Do **not** over reach. Maintain a balanced stance at all times so that you do not fall or lean against blades or other moving parts.
9. Make all machine adjustments or maintenance with the machine unplugged from the power source.
10. Use the right tool. Don't force a tool or attachment to do a job that it was not designed for.
11. Replace warning labels if they become obscured or removed.
12. Make certain the switch is in the **OFF** position before connecting the machine to the power supply.
13. Give your work undivided attention. Looking around, carrying on a conversation, and "horse-play" are careless acts that can result in serious injury.
14. Keep visitors a safe distance from the work area.
15. Use recommended accessories; improper accessories may be hazardous.
16. Never place hands directly in line with the saw blade.
17. Always use push sticks when cutting small material.
18. Raise or lower the blade only when the machine has been turned off and the blade has come to a complete stop.
19. Read and understand warnings posted on the machine.
20. Use blade guard for every applicable operation including all through cuts. If guard is removed for special non-through cuts such as dado and rabbet cuts, replace before further use of the saw.
21. Failure to comply with all of these warnings may cause serious injury.
22. Some dust created by power sanding, sawing, grinding, drilling and other construction activities contains chemicals known to cause cancer, birth defects or other reproductive harm. Some examples of these chemicals are:
 - Lead from lead based paint
 - crystalline silica from bricks and cement and other masonry products, and
 - arsenic and chromium from chemically-treated lumber.
23. Your risk from those exposures varies, depending on how often you do this type of work. To reduce your exposure to these chemicals: work in a well ventilated area, and work with approved safety equipment, such as those dust masks that are specifically designed to filter out microscopic particles
24. Do not operate tool while under the influence of drugs, alcohol or any medication.

Grounding Instructions

Caution: This tool must be grounded while in use to protect the operator from electric shock.

In the event of a malfunction or breakdown, grounding provides a path of least resistance for electric current to reduce the risk of electric shock. This tool is equipped with an electric cord having an equipment-grounding conductor and a grounding plug. The plug must be plugged into a matching outlet that is properly installed and grounded in accordance with all local codes and ordinances.

Do not modify the plug provided. If it will not fit the outlet, have the proper outlet installed by a qualified electrician.

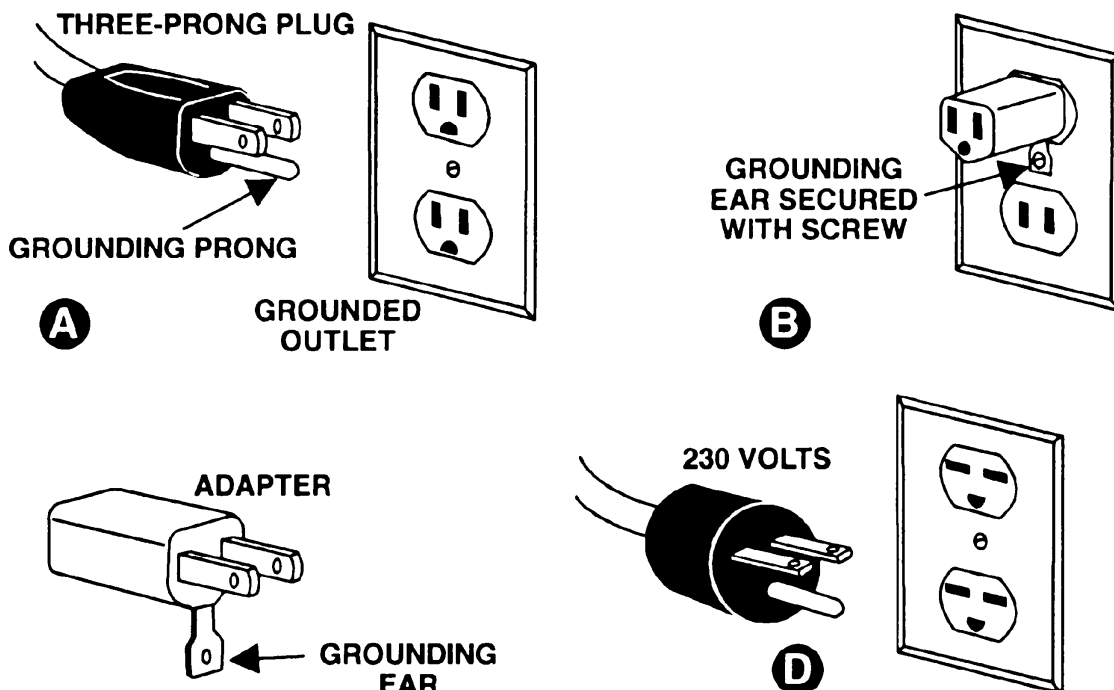
Improper connection of the equipment-grounding conductor can result in a risk of electric shock. The conductor, with insulation having an outer surface that is green with or without yellow stripes, is the equipment-grounding conductor. If repair or replacement of the electric cord or plug is necessary, do not connect the equipment-grounding conductor to a live terminal.

Check with a qualified electrician or service personnel if the grounding instructions are not completely understood, or if in doubt as to whether the tool is properly grounded. Use only three wire extension cords that have three-prong grounding plugs and three-pole receptacles that accept the tool's plug.

Repair or replace a damaged or worn cord immediately.

115 Volt Operation

As received from the factory, your tablesaw is ready to run at 115 volt operation. This tablesaw, when wired for 115 volt, is intended for use on a circuit that has an outlet and a plug that looks like the one illustrated in (A). A temporary adapter, which looks like the adapter as illustrated in (B), may be used to connect this plug to a two-pole receptacle, as shown in (B) if a properly grounded outlet is not available. The temporary adapter should only be used until a properly grounded outlet can be installed by a qualified electrician. **This adapter is not applicable in Canada.** The green colored rigid ear, lug, or tab, extending from the adapter, must be connected to a permanent ground such as a properly grounded outlet box, as shown in (B).



230 Volt Operation

If 230V, single phase operation is desired, the following instructions must be followed:

1. **Disconnect the machine from the power source.**
2. Turn the handwheel until the saw blade is in the 45° position. This will allow easy access to the motor junction box.
3. This tablesaw is supplied with four motor leads that are connected for 115V operation, as shown in Figure A. Reconnect these four motor leads for 230V operation, as shown in Figure B.
4. The 115V attachment plug (A), supplied with the tablesaw, must be replaced with a UL/CSA listed plug suitable for 230V operation (D). Contact your local Authorized JET Service Center or qualified electrician for proper procedures to install the plug. The tablesaw must comply with all local and national codes after the 230 volt plug is installed.
5. The tablesaw with a 230 volt plug should only be connected to an outlet having the same configuration (D). No adapter is available or should be used with the 230 volt plug.

Important: In all cases (115 or 230 volts), make certain the receptacle in question is properly grounded. If you are not sure, have a registered electrician check the receptacle.

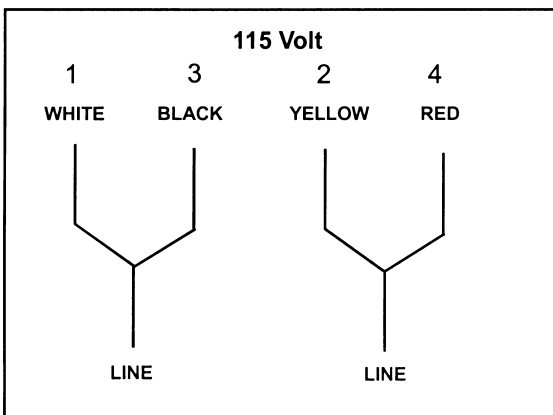


FIGURE A

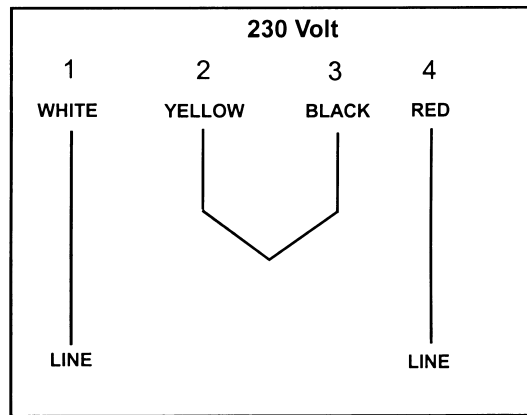


FIGURE B

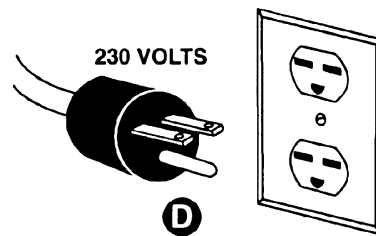
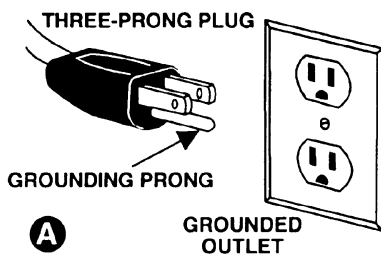


Table of Contents

Warranty	2
Warnings	3
Grounding Instructions	4
115V Operation	4
230V Operation	5
Table of Contents	6
Specifications	6
Contents of the Shipping Container	7
Tools Included for Assembly	7
Tools Required for Assembly	7
Unpacking and Cleanup	7
Installation and Leveling	8
Motor Cover Assembly	8
Extension Wing Assembly	8
Hand Wheel Assembly	9
Blade Guard Assembly	9-10
Installing Blade	10
Aligning Blade Guard and Splitter	10
Table Insert Adjustment	11
Mounting Rails & Extension Table	11
Miter Gauge Operation	11
Blade Raising & Tilting Mechanism	11
Adjusting 45° and 90° Positive Stops	12
Wear Adjustment in Raising Mechanism	12
Wear Adjustment in Tilting Mechanism	13
Electrical Connections	13
Changing Belts	13
Troubleshooting	14
Cabinet & Table Assembly Parts Breakdown	15
Cabinet & Table Assembly Parts List	16-17
Motor & Trunnion Assembly Parts Breakdown	18
Motor & Trunnion Assembly Parts List	19-20
Electrical Schematic	21

Specifications

JWCS-10A

Stock Number	708435
Blade Diameter	10"
Arbor Diameter	5/8"
Maximum Depth of Cut	3-1/8"
Maximum Rip to Right of Blade	30"
Maximum Rip to Left of Blade	12"
Maximum Thickness at 45° Cut	2-1/8"
Table in Front of Saw Blade at Maximum Cut	11-1/4"
Maximum Width of Dado	13/16"
Dust Chute Diameter	4"
Table Height	34-1/2"
Table Size (with extension)	27"D x 30"W
Table Size (without extension)	27"D x 20"W
Spindle Speed	3400 RPM
Motor Size	1-3/4 HP, 1Ph, 115/230V Prewired
Net Weight (approx.)	277 lbs.
Shipping Weight (approx.)	317 lbs.

The specifications in this manual are given as general information and are not binding. JET Equipment & Tools reserves the right to effect, at any time and without prior notice, changes or alterations to parts, fittings, and accessory equipment deemed necessary for any reason whatsoever.

 **WARNING**

**Read and understand the entire contents of this manual before attempting assembly or operation!
Failure to comply may cause serious injury!**



Contents of the Shipping Container

- 1 Saw w/ Cabinet
- 1 Extension Wing
- 1 Blade Guard Assembly
- 1 Push Stick
- 1 Arbor Wrench
- 1 Miter Gauge Assembly
- 1 Blade Guard Mounting Bracket Assembly
- 1 Hardware Bag (blade guard assembly)
- 2 Handle Assemblies
- 1 Motor Cover

Tools Included for Assembly

- 1 3mm Hex Wrench
- 1 Arbor Wrench

Tools Required for Assembly & Adjustments

- 1 8mm Box Wrench
- 1 10mm Box Wrench
- 1 13mm Box Wrench
- 1 14mm Box Wrench
- 1 17mm Box Wrench
- 1 15/16" Box Wrench
- 1 #2 Cross Point Screwdriver
- 1 6mm Hex wrench
- 1 Straight Edge

Unpacking and Clean-Up

- 1. Finish removing all contents from the shipping container. Do not discard any shipping material until the saw is set up and running satisfactorily.
- 2. Inspect contents for shipping damage. Report damage, if any, to your local distributor.

⚠ WARNING

Do not connect the table saw to the power source until all assembly has been completed!
Failure to comply may cause serious injury!

Installation and Leveling

Final location for the saw must be level, dry, well lighted, and have enough room to allow movement around the saw with long pieces of wood.

Motor Cover Assembly

1. Install motor cover by aligning pins (A, Fig. 1) brackets on the cabinet.
2. Fasten cover by pulling out latch (B, Fig. 1), closing the door, and releasing the latch.



Fig. 1

Extension Wing Assembly

- **Hardware:** (3) M10x30 Hex Cap Bolts, (3) M10 Lock Washers, (3) M10 Flat Washers & (1) Extension Wing
- **Tools:** 17mm Wrench, Straight Edge

1. Mount the extension wing to table with three hex cap bolts, three lock washers and three flat washers. Hand tighten only at this time.

Note: Attach the center bolt (A, Fig. 2) first and then pivot the wing so it lines up with the table. Attach two more bolts.

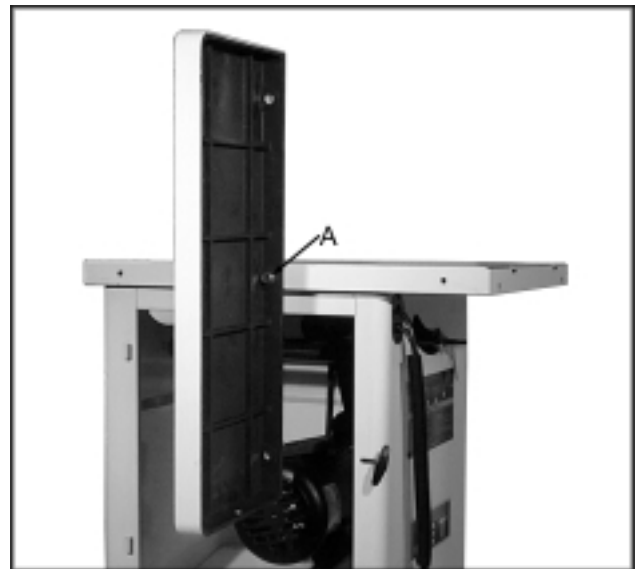


Fig. 2

2. Slide extension wing toward the front edge of the saw table until the two edges are flush, Figure 3.

Note: If the wing is not flush with the table, there is a possibility of distorting the front fence rail when tightened to the extension wing. This may cause the fence to bind.

3. Using a straight edge (A, Fig. 3), align the extension wing to the saw table and tighten the hex cap bolts.



Fig. 3

Hand Wheel Assembly

- **Hardware:** (2) Handles, (2) Hand Wheels & (2) Lock Knobs
- **Tool:** 14mm Wrench

1. Attach handle (A, Fig. 4) to hand wheel (B, Fig. 4).
2. Attach hand wheel assembly to saw with lock knob (C, Fig. 4).
3. Make sure the pin (D, Fig.4) aligns with the notch in the hand wheel. Repeat for second hand wheel.



Fig. 4

Blade Guard Assembly

- **Hardware:** (1) Blade Guard Assembly, (1) Blade Guard Post (1) M16 Nut & Lock Washer & (3) M10 Flat Washers
- **Tools:** 13mm Wrench, 3mm Hex Wrench and a Cross Point Screwdriver

1. Thread a M16 hex nut and M16 Lock Washer (A, Fig. 5) completely onto the blade guard post (B, Fig. 5).
2. Thread blade guard post into trunnion at the rear of the saw, (Figure 5). Tighten by placing a cross point screw driver through the hole at the end of the post and turning clockwise.
3. Slide lower blade guard bracket (A, Fig. 6) onto blade guard post and tighten set screws (B, Fig. 6) just enough to hold the bracket in place.
4. Attach upper blade guard bracket (C, Fig. 6) to lower blade guard bracket with two hex cap bolts, four flat washers, two lock washers and two hex nuts (D, Fig. 6). Hand tighten only at this time.

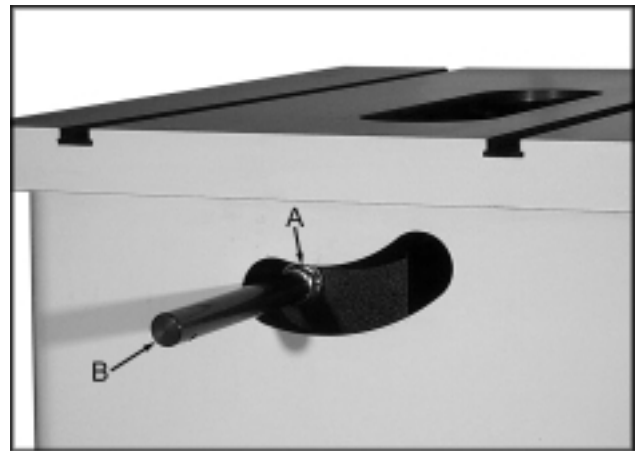


Fig. 5

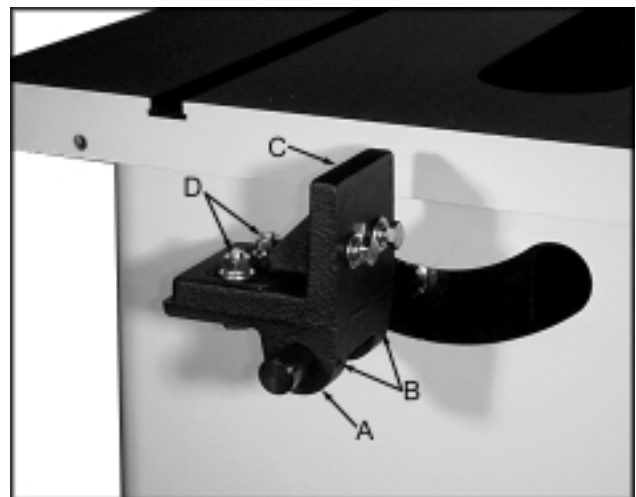


Fig. 6

5. Insert front tab of blade guard splitter through insert opening in table and onto hex cap bolt (A, Fig.7). Hand tighten only at this time.
6. Insert rear tab of blade guard assembly behind two hex cap bolts, two flat washers and two lock washers (B, Fig. 7) in the upper blade guard bracket. Hand tighten only at this time.

Note: Make sure anti-kick back plates (C, Fig. 7) are pointing to the rear of the table.

7. Blade will need to be installed before final adjustment can be made.

Installing Blade

WARNING

When installing or changing saw blade, always disconnect saw from the power source!

Failure to comply may cause serious injury!

- **Hardware:** Blade
 - **Tools:** Arbor Wrench, Scrap Piece of Wood
1. Raise the blade arbor fully and tighten the lock knob in the middle of the handwheel.
 2. Remove the arbor nut and flange (D, Fig. 7). Arbor nut has left hand thread; turn clockwise to remove.
 3. Place the blade on the arbor shaft making sure the teeth point down at the front of the saw. Replace the flange and the arbor nut.
 4. Place a wood scrap in the blade's teeth. Hold in such a way that if it slips or the blade turns, your hand will not contact the blade.
 5. Using the wrench provided, securely tighten the arbor nut. Remove the wrench.

Aligning Blade Guard and Splitter

- **Tools:** 13mm Wrench, 3mm Hex Wrench & Straight Edge
1. Raise blade guard away from table and hold anti-kickback pawls away from table surface with the cut-out in the guard arm, (A, Fig. 8).

2. Using a straight edge (B, Fig. 8), align the splitter with the saw blade. Be sure that straight edge rests against body of saw blade and not saw teeth.
3. The upper blade guard bracket (C, Fig. 8) may need to be adjusted to align the splitter to the blade.
4. Make sure the splitter is level with the table and approximately 1/8" above the table. This will allow clearance for tilting blade to 45°.
5. When saw blade is aligned with the splitter, lower the blade, and tighten all hardware
6. Check alignment again after tightening hardware. Adjust if necessary.

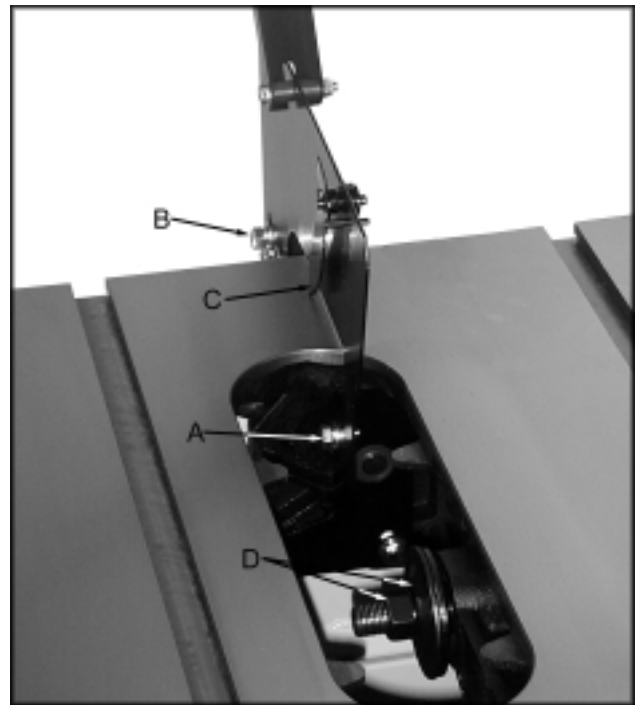


Fig. 7

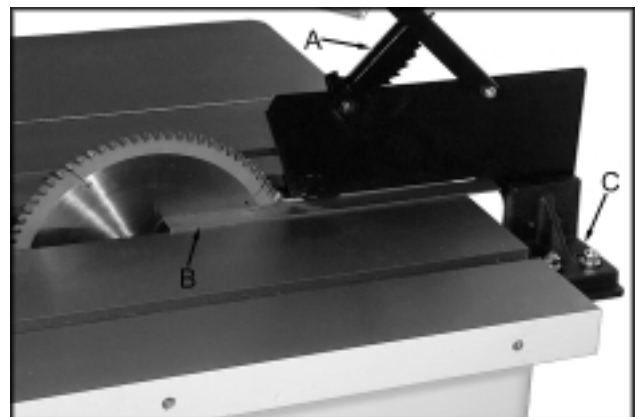


Fig. 8

Table Insert Adjustment

- **Hardware:** Table Insert
 - **Tools:** 3mm Hex Wrench, Straight Edge
1. Lower blade completely.
 2. Place the open end of the insert under the splitter and lower the insert into the opening.
 3. Adjust the table insert flush with the table by turning four leveling screws (A, Fig. 9) and using a straight edge.

Mounting Rails & Extension Table

With the extension wing properly aligned, the rail and fence assembly can now be mounted to the saw. See the Owner's Manual for the XACTA Fence Assembly Instructions. This will address the mounting of the table, switch, rails and fence.

Miter Gauge Operation

- **Hardware:** Miter Gauge
 - **Tools:** Cross Point Screwdriver, 8mm Wrench
1. Adjust miter gauge by loosening lock knob (A, Fig. 10) and turning miter body to desired angle. To move gauge beyond index stops, flip down the stop (B, Fig. 10).
 2. Adjust index stops by turning one of three adjustment screws (C, Fig. 10).

Note: Always make test cuts. Do not rely solely on miter gauge indicator marks. There are two holes in the miter gauge body that will allow you to mount an wooden extension face.

Blade Raising and Tilting Mechanism

CAUTION

Never try to force the tilting mechanism past the 45° or 90° stops! This may cause the blade to go out of alignment!

1. To raise or lower the saw blade, loosen lock knob (A, Fig. 11), and turn handwheel (B, Fig. 11) until desired height is reached. Tighten lock knob. The blade should be adjusted about 1/8" above the top surface of the material being cut.

2. To tilt the saw blade, loosen lock knob, turn handwheel (C, Fig. 11) until desired angle is obtained, then tighten lock knob.

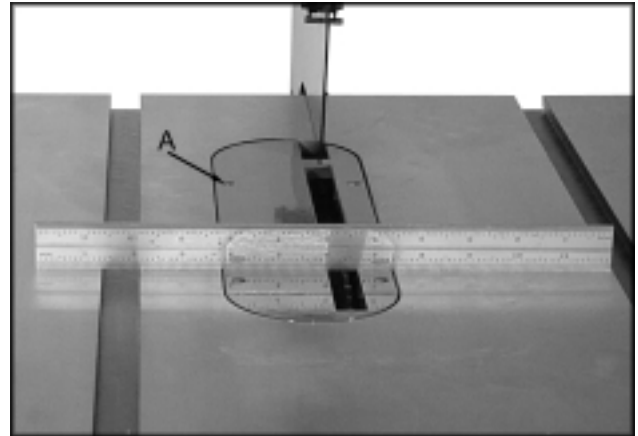


Fig. 9

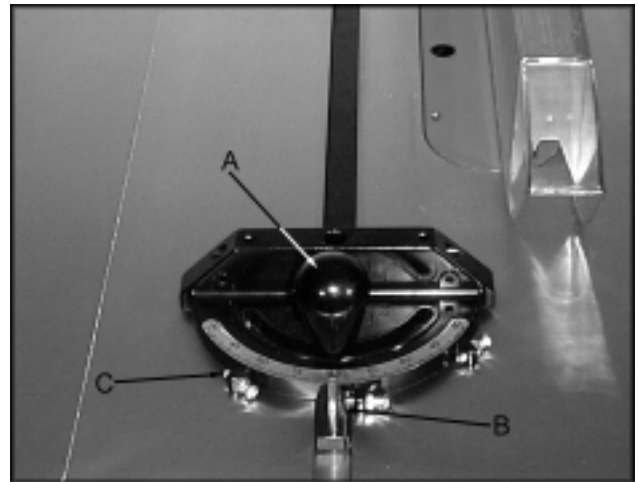


Fig. 10



Fig. 11

⚠ WARNING

**When making adjustments always disconnect saw from the power source!
Failure to comply may cause serious injury!**

Adjusting 45° and 90° Positive Stops

- **Hardware:** Square
 - **Tools:** 3mm Hex Wrench, 10mm Wrench
1. **Disconnect saw from power source.**
 2. Raise the saw blade to its maximum height.
 3. Set the blade at 90° to the table by turning the blade tilting handwheel counterclockwise as far as it will go. **Do not force beyond stop.**
 4. Place a square on the table and check to see that the blade is at a 90° to the table, (Figure 12). Make sure square is not touching a blade tooth.
 5. If blade is not at 90°, loosen nut (A, Fig. 13) and turn adjusting stop screw (B, Fig. 13) in, or out. The adjusting stop screw should stop against the end of the tilting screw (C, Fig. 13) when the blade is 90° to the table. Tighten lock nut.
 6. Place a square on the table after turning the blade to the 45° stop. If the 45° stop is not set properly, loosen nut (E, Fig. 13) and adjust screw (D, Fig. 13) until the stop touches the table and the blade is in the 45° position. Tighten the nut
 7. Adjust the pointer for accuracy.

Wear Adjustment in Raising Mechanism

- **Tool:** 15/16" Wrench
1. **Disconnect the saw from the power source.**
 2. Remove lock knob and raising handwheel but do not remove pointer, (Figure 14).
 3. Loosen lock nut (A, Fig. 14) using a 15/16" wrench.
 4. Use the pointer (B, Fig. 14) as a lever and turn left, or right until all perceptible play between the worm and arbor bracket is removed.

5. Tighten the lock nut and reset the pointer.

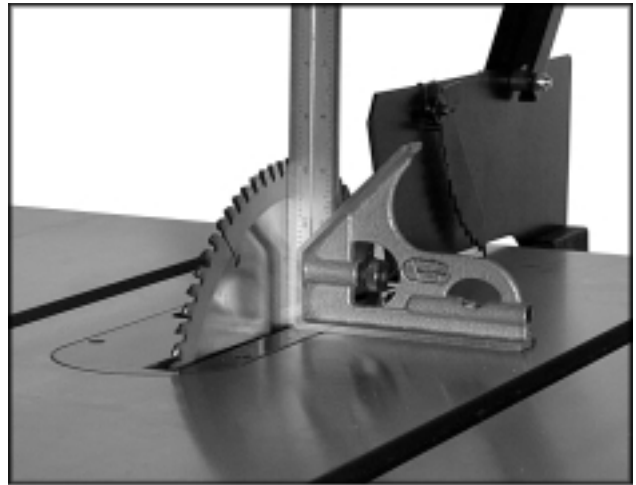


Fig. 12

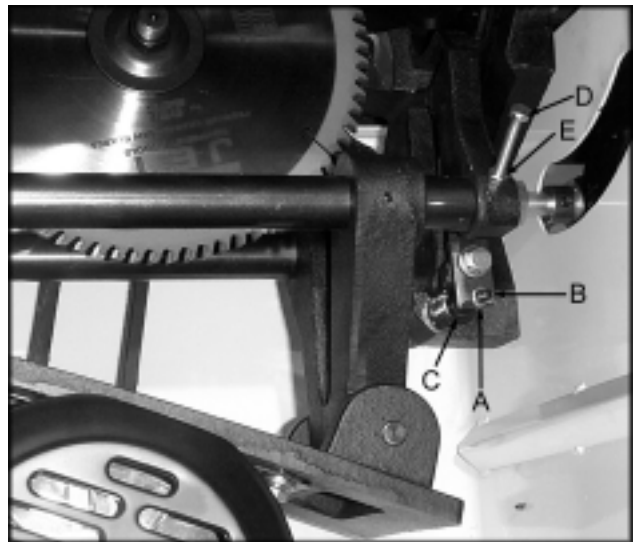


Fig. 13

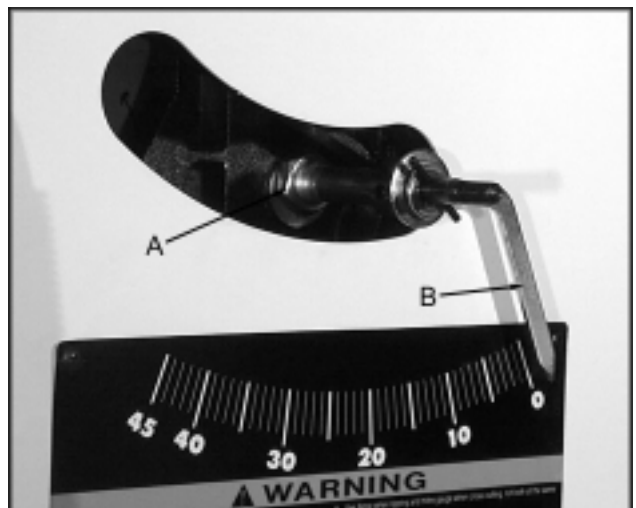


Fig. 14

Wear Adjustment in Tilting Mechanism

1. **Disconnect the saw from the power source.**
2. Loosen lock nut (A, Fig. 15).
3. Turn eccentric sleeve (B, Fig. 15) until play is removed. Flat area on sleeve accommodates a wrench.
4. Tighten lock nut.

Electrical Connections

The JWCS-10A table saw is rated at 115V/230V, prewired 115V.

WARNING!

**All electrical connections must be done by a qualified electrician!
Failure to comply may result in serious injury!**

- To turn on power to the saw, press the green start button on the switch assembly box.
- To turn off power to the saw, press the red stop button on the switch assembly box.

In the event the saw stops operating due to the motor over heating, wait until the motor cools down, **push the reset button on the motor**, and press the green start button to start the saw again.

Extension Cord Recommendations:

12 Gauge Cord - up to 25'
10 Gauge Cord - up to 50'
8 Gauge Cord - up to 100'

Note: Using extension cords can cause a loss of power to your machine. It is best if the saw is plugged directly into an outlet, or a short heavy gauge extension cord is used.

Changing Belts

1. **Disconnect the saw from the power source.**
2. Lower blade completely.

3. Lift the motor while taking the belts off the motor pulley.
4. Let the motor hang from the bracket and remove the belts from the arbor pulley.
5. Replace both belts.

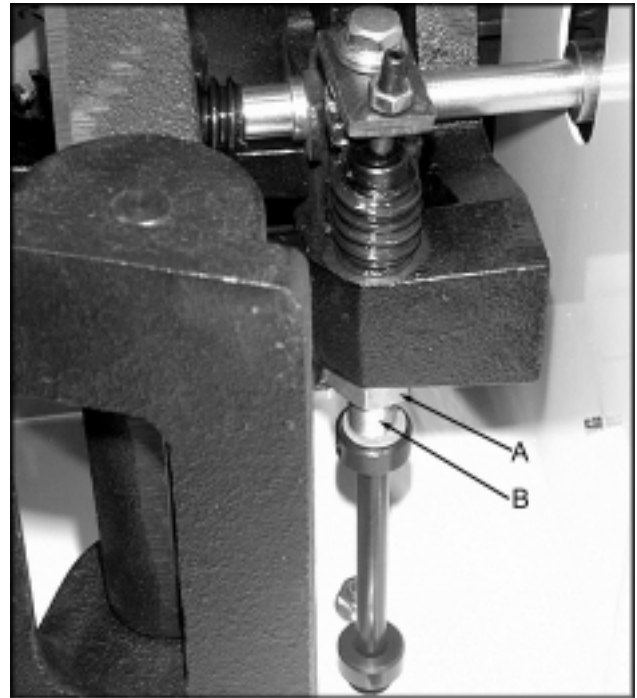
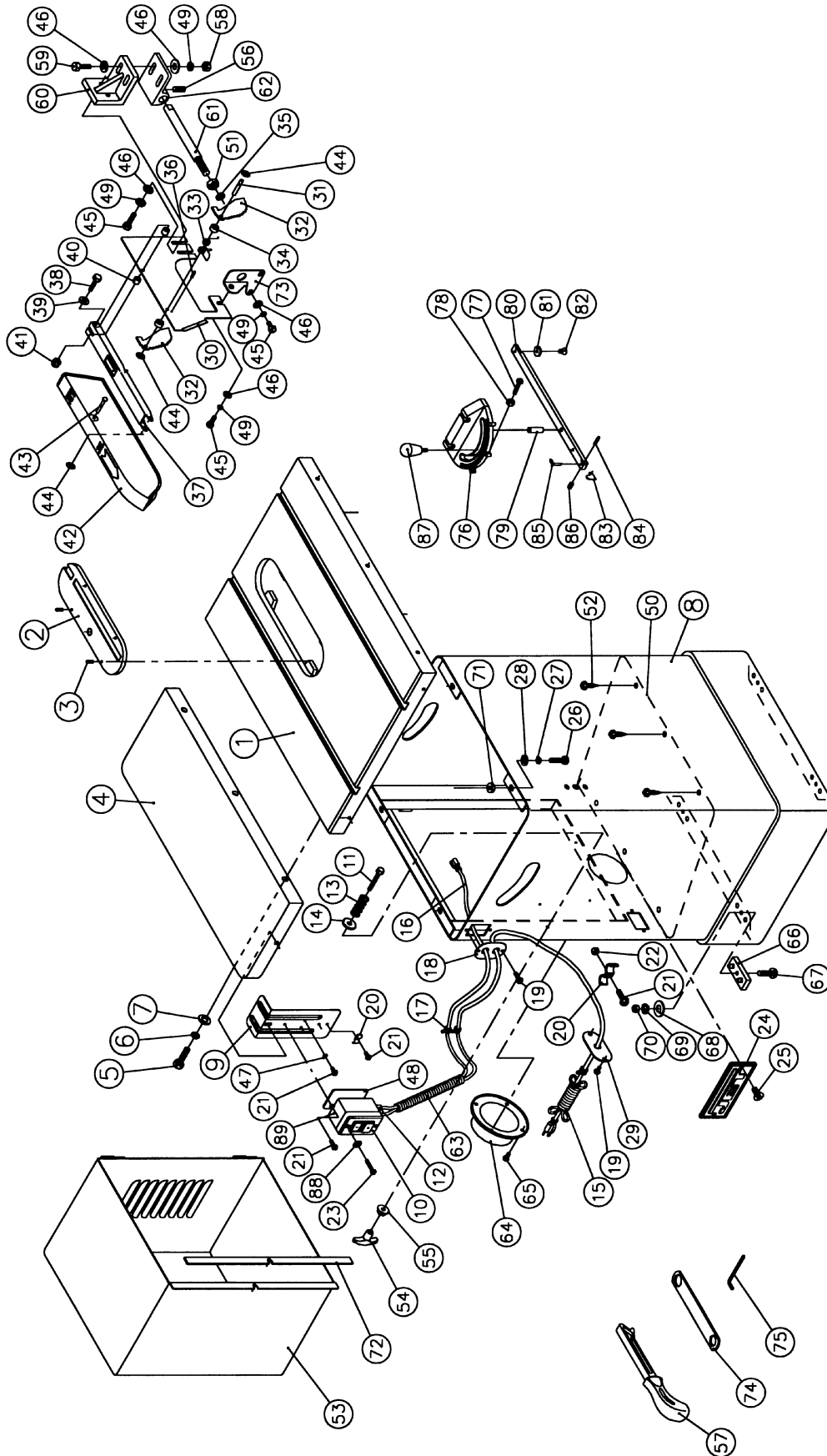


Fig. 15

Troubleshooting

Trouble	Possible Cause	Solution
Saw stops or will not start	<ol style="list-style-type: none"> 1. Overload tripped on motor 2. Saw unplugged from wall or motor 3. Fuse blown or circuit breaker tripped 4. Cord damaged 	<ol style="list-style-type: none"> 1. Allow motor to cool and reset overload switch on motor 2. Check all plug connections 3. Replace fuse or reset circuit breaker 4. Replace cord
Does not make accurate 45° or 90° cuts	<ol style="list-style-type: none"> 1. Stops not adjusted correctly 2. Angle pointer not set accurately 3. Miter gauge out of adjustment 	<ol style="list-style-type: none"> 1. Check blade with square and adjust stops 2. Check blade with square and adjust pointer 3. Adjust miter gauge
Material binds blade when ripping	<ol style="list-style-type: none"> 1. Fence not aligned with blade 2. Warped wood 3. Excessive feed rate 4. Splitter not aligned with blade 	<ol style="list-style-type: none"> 1. Check and adjust fence 2. Select another piece of wood 3. Reduce feed rate 4. Align splitter with blade
Saw makes unsatisfactory cuts	<ol style="list-style-type: none"> 1. Dull blade 2. Blade mounted backwards 3. Gum or pitch on blade 4. Incorrect blade for cut 5. Gum or pitch on table 	<ol style="list-style-type: none"> 1. Sharpen or replace blade 2. Turn blade around 3. Remove blade and clean 4. Change blade to correct type 5. Clean table
Blade does not come up to speed	<ol style="list-style-type: none"> 1. Extension cord too light or too long 2. Low shop voltage 3. Motor not wired for correct voltage 	<ol style="list-style-type: none"> 1. Replace with adequate size cord 2. Contact your local electrical company 3. Refer to motor junction box
Saw vibrates excessively	<ol style="list-style-type: none"> 1. Stand on uneven floor 2. Damaged saw blade 3. Bad V-belts 4. Bent pulley 5. Improper motor mounting 6. Excessive play in raising mechanism 7. Loose hardware 	<ol style="list-style-type: none"> 1. Reposition on flat, level surface 2. Replace saw blade 3. Replace V-belts 4. Replace pulley 5. Check and adjust motor 6. Adjust worm and arbor bracket 7. Tighten hardware
Rip fence binds on guide rails	<ol style="list-style-type: none"> 1. Guide rails or extension wing not installed correctly 2. Guide of rip fence not adjusted properly 	<ol style="list-style-type: none"> 1. Reassemble guide rails, refer to fence manual 2. Adjust guides, refer to fence manual
Material kicked back from blade	<ol style="list-style-type: none"> 1. Rip fence out of alignment 2. Splitter not aligned with blade 3. Feeding stock without rip fence 4. Splitter not in place 5. Dull blade 6. Letting go of material before it is past blade 7. Anti-kick back plates dull 	<ol style="list-style-type: none"> 1. Align rip fence with miter slot 2. Align splitter with blade 3. Install and use rip fence 4. Install and use splitter (with guard) 5. Replace blade 6. Push material all the way past blade before releasing work 7. Replace or sharpen anti-kick back plates
Blade does not raise or tilt freely	<ol style="list-style-type: none"> 1. Too much tension in raising mechanism 2. Sawdust and debris in raising and tilting mechanisms 	<ol style="list-style-type: none"> 1. Adjust raising worm and arbor bracket 2. Clean and regrease

Cabinet & Table Assembly



Parts List For The JWCS-10A Cabinet & Table Assembly

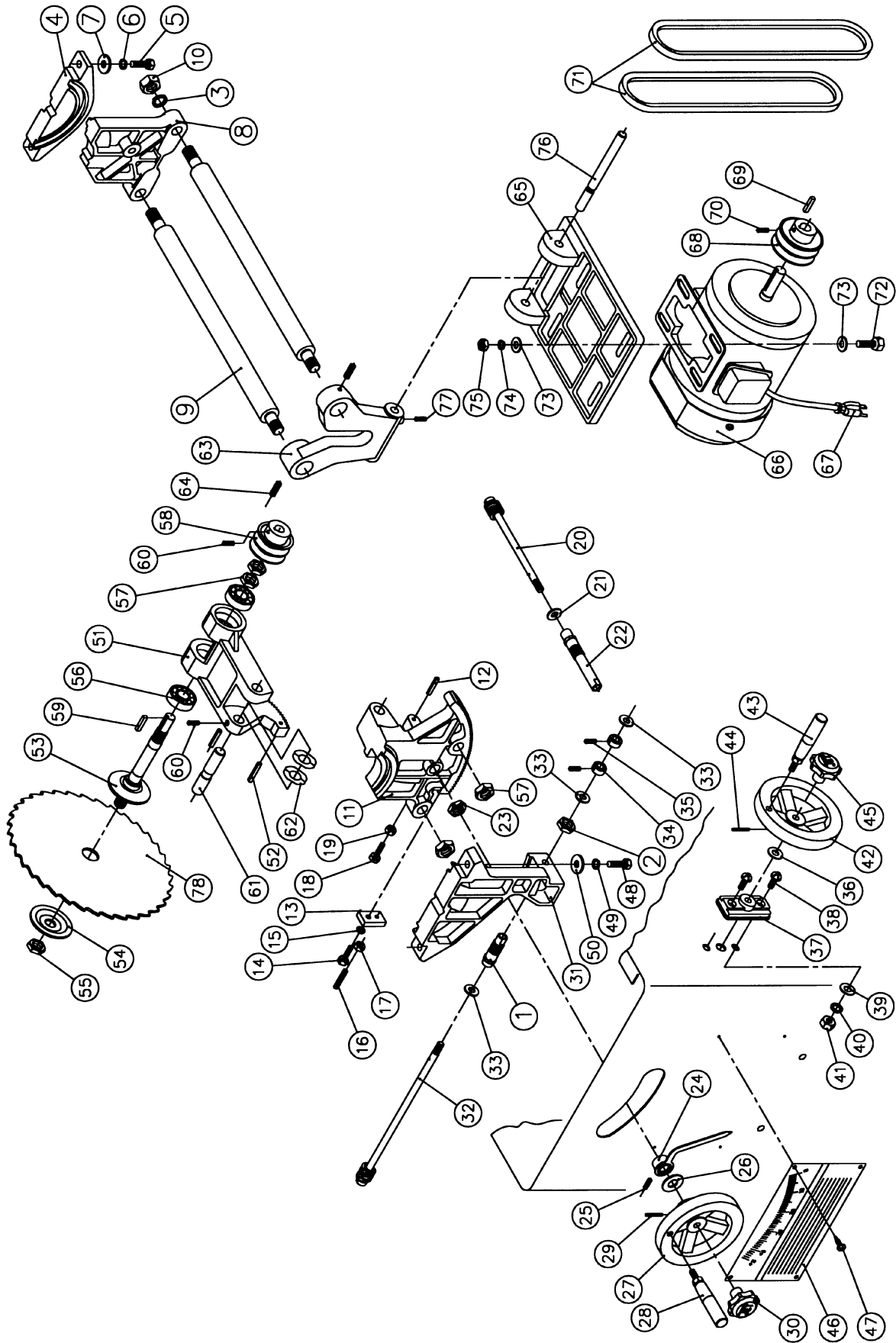
Index No.	Part No.	Description	Size	Qty.
1	290001W	Table		1
2	708101	Table Insert		1
3	TS-1523031	Set Screw	M6x10	4
4	290004W	Extension Wing		1
5	TS-1491041	Hex Cap Bolt	M10x30	3
6	TS-1551071	Lock Washer	M10	3
7	TS-1550071	Flat Washer	M10	3
8	290008W	Cabinet		1
9	200009W	Switch Bracket		1
10	994542	Switch		1
11	TS-1482101	Hex Cap Bolt	M6x50	1
12	998654	Strain Relief		2
13	16328	Spring		1
14	TS-155004	Flat Washer	M6x16	1
15	IC290001	Power Cord		1
16	IC290002	Power Cord (switch to motor)		1
17	998623	Strain Relief		3
18	200018	Strain Relief Plate		1
19	ST040200	Self Tapping Screw	M4x10	4
20	523024	Wire Clip		2
21	TS-1533042	Pan Head Machine Screw	M5x12	5
22	TS-1540031	Hex Nut	M5	1
23	ST039904	Tapping Screw	M3.5x32	2
24	JCS10-9	JET Label		1
25	990805	Tapping Screw	M4x10	2
26	TS-1490031	Hex Cap Bolt	M8x20	4
27	TS-1551061	Lock Washer	M8	4
28	TS-1550061	Flat Washer	M8	4
29	290029	Strain Relief Plate		1
	290042AS	Blade Guard Assembly Complete (* incl. with blade guard assembly)		1
30	290030A	Splitter *		1
31	992350	Parallel Pin *	6x25	1
32	200032	Anti-Kickback Plate *		2
33	200033	Spring *		1
34	200034	Spacer *		2
35	TS-155110	Lock Washer	M16	1
36	992315	Spring Pin *	4x24	1
37	200037	Support Arm *		1
38	TS-1482081	Hex Cap Bolt *	M6x40	1
39	TS-1550041	Flat Washer *	M6	1
40	200040	Spacer *		2
41	TS-1541021	Nyloc Nut *	M6	1
42	290042	Blade Guard *		1
43	992352	Pin *	6x45	1
44	992501	Spring Nut *	M6	3
	290042AS	Blade Guard Assembly (complete)		1
45	TS-149006	Hex Cap Bolt	M8x35	5
46	TS-1550061	Flat Washer	M8x18	9
47	WE050000	Star Washer	M5	1
48	150056	Switch Pad		1
49	TS-1551061	Lock Washer	M8	7
50	290120W	Deflector		1
51	TS-2310162	Hex Nut	M16x1.5	1

Index No.	Part No.	Description	Size	Qty.
52	990805	Self Tapping Screw	M4x10	6
53	290122W	Motor Cover		1
54	290124	Knob	M6	1
55	991002	Flange Nut	M6	1
56	TS-1524051	Set Screw	M8x20	2
57	708818	Push Stick		1
58	TS-1540061	Hex Nut	M8	2
59	TS-149006	Hex Cap Screw	M8x35	2
60	290135N	Upper Blade Guard Bracket		1
61	290136	Blade Guard Post		1
62	290137	Lower Blade Guard Bracket		1
63	200138	Cord Sleeve		1
64	412007W	Dust Chute		1
65	ST040200	Self Tapping Screw	M4x10	4
66	290141	Rubber Pad		4
67	990844	Pan Head Screw	M8x20	4
68	TS-1550061	Flat Washer	M8	4
69	TS-1551061	Lock Washer	M8	4
70	TS-1540061	Hex Nut	M8	4
71	290146	Special Washer		4
72	290147	Foam Strip		1
73	200024	Splitter Bracket		1
74	200252	Arbor Wrench		1
75	200253	Hex Wrench	3mm	1
	JWTS10-MGA	Miter Gauge Assembly (** incl. w/miter gauge assembly)		
76	200151	Miter Gauge Body **		1
77	TS-1533062	Pan Head Screw **	M5x20	3
78	TS-1540031	Hex Nut **	M5	3
79	150031	Steel Pin **		1
80	200155	Guide Bar **		1
81	200156	Guide Piece **		1
82	990530	Countersunk Head Bolt **	M6x8	1
83	200158	Locating Piece **		1
84	992311	Spring Pin **	3x8	1
85	200160	Pointer **		1
86	TS-1522011	Socket Set Screw **	M5x5	1
87	200162	Knob **		1
88	TS-1550021	Flat Washer	M4	2
89	523028	Switch Box		1

*included in 290042AS Blade Guard Assembly complete

**included in 200151AS Miter Gauge Assembly complete

Motor & Trunnion Assembly



Parts List For The JWCS-10A Motor & Trunnion Assembly

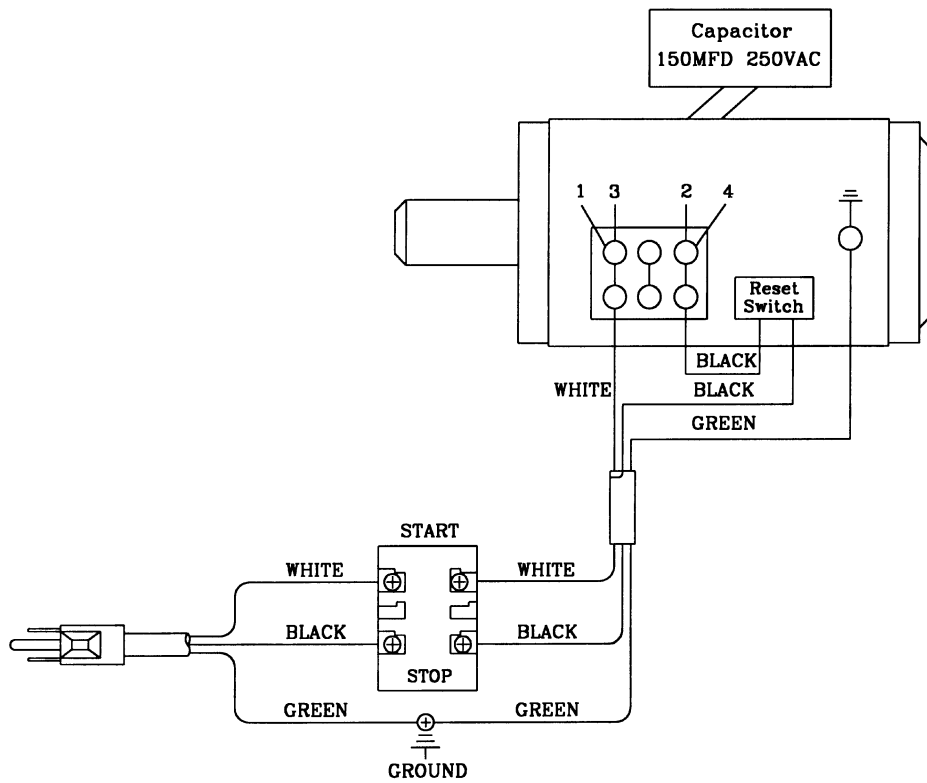
Index No.	Part No.	Description	Size	Qty.
1	200035	Eccentric		1
2	TS-231014-2	Hex Nut	M14x1.5	1
3	TS-155110	Lock Washer	M16	2
4	200052	Rear Trunnion Bracket		1
5	TS-1490051	Hex Cap Bolt	M8x30	2
6	TS-1551061	Lock Washer	M8	2
7	TS-1550061	Flat Washer	M8	2
8	200056	Rear Trunnion		1
9	290057	Connecting Rod		2
10	TS-2310162	Hex Nut	M16x1.5	2
11	200059	Front Trunnion		1
12	992322	Spring Pin	5x30	1
13	200061	Locating Block		1
14	TS-1482041	Hex Cap Bolt	M6x20	1
15	TS-1551041	Lock Washer	M6	1
16	990728	Set Screw	M6x30	1
17	TS-1540041	Hex Nut	M6	1
18	TS-1482091	Hex Cap Bolt	M6x45	1
19	TS-1540041	Hex Nut	M6	1
20	200068	Elevating Shaft		1
21	200069	Fiber Washer		1
22	200070	Eccentric		1
23	TS-2310162	Hex Nut	M16x1.5	1
24	200072	Pointer		1
25	TS-1523031	Set Screw	M6x10	1
26	TS-1550071	Flat Washer	M10	1
27	200075	Hand Wheel		1
28	200076	Handle		1
29	992313	Spring Pin	3x30	1
30	990551	Knob	M8	1
31	200079	Front Trunnion Bracket		1
32	200080	Tilt Shaft		1
33	200069	Fiber Washer		3
34	200082	Setting Collar		2
35	TS-1522011	Set Screw	M5x6	2
36	TS-1550071	Flat Washer	M10	1
37	200085	Bearing Bracket		1
38	990844	Pan Head Bolt	M8x20	2
39	TS-1550061	Flat Washer	M8	2
40	TS-1551061	Lock Washer	M8	2
41	TS-1540061	Hex Nut	M8	2
42	200075	Hand Wheel		1
43	200076	Handle		1
44	992313	Spring Pin	3x30	1
45	990551	Knob	M8	1
46	200094	Scale and Warning Label		1
47	990805	Self Tapping Screw	M4x10	4
48	TS-1490051	Hex Cap Bolt	M8x30	2
49	TS-1551061	Lock Washer	M8	2
50	TS-1550061	Flat Washer	M8	2
51	200099	Arbor Bracket		1
52	992322	Spring Pin	5x26	2
53	200101	Arbor		1

Index No.	Part No.	Description	Size	Qty.
54	200102	Flange		1
55	991416	Nut	5/8"x12	1
56	BB620303	Bearing	6203LLU	2
57	991172	Nut	M16x1.5	4
58	290106	Arbor Pulley		1
59	992068	Key	5x5x40	1
60	TS-1523031	Set Screw	M6x10	2
61	200109	Arbor Bracket Shaft		1
62	991901	Wave Space Washer		2
63	290111	Motor Plate Bracket		1
64	TS-1523031	Set Screw	M6x10	2
65	290113	Motor Plate		1
66	MA290001	Motor	1-3/4 HP, 1 Ph	1
67	IM290001	Motor Cord		1
68	290116	Motor Pulley		1
69	992068	Key	5x5x40	1
70	TS-1523031	Set Screw	M6x10	1
71	VB-A30	V-Belt	A30	2
72	TS-1490041	Hex Cap Bolt	M8x25	4
73	TS-1550061	Flat Washer	M8	8
74	TS-1551061	Lock Washer	M8	4
75	TS-1540061	Hex Nut	M8	4
76	290130	Motor Plate Shaft		1
77	TS-1523031	Set Screw	M8x10	4
78		Blades (see below list of blades & accessories)		

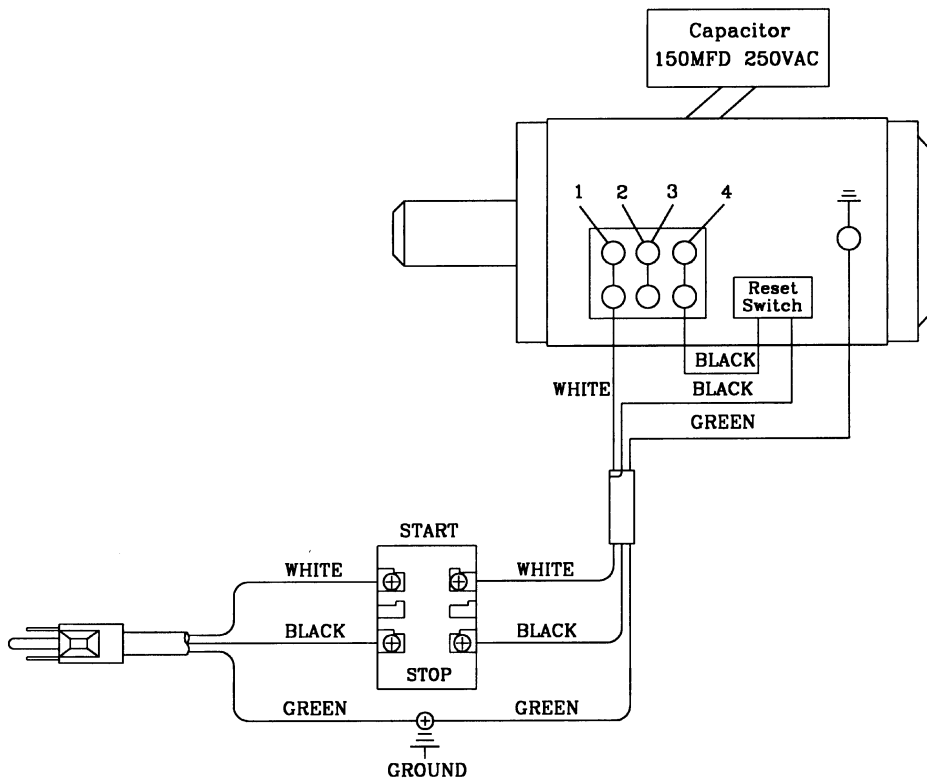
Blades and Accessories

10" x 40T carbide	709733
10" x 60T carbide	709734
Featherboard	709721
Switch Padlock	709012
Tool Saver Cover	708156
6" x 16T dado	JB1710
Dado Insert	708102
Right Tilt No-Clearance Insert	709380
Tenoning Jig	708111
Mobile Base	708133
XACTA Lift	708124
Outfeed Rollers	708150K
Scoring Saw Attachment	709690

Electrical Schematic - 115V



Electrical Schematic - 230V



Free Manuals Download Website

<http://myh66.com>

<http://usermanuals.us>

<http://www.somanuals.com>

<http://www.4manuals.cc>

<http://www.manual-lib.com>

<http://www.404manual.com>

<http://www.luxmanual.com>

<http://aubethermostatmanual.com>

Golf course search by state

<http://golfingnear.com>

Email search by domain

<http://emailbydomain.com>

Auto manuals search

<http://auto.somanuals.com>

TV manuals search

<http://tv.somanuals.com>