



# OWNER'S MANUAL

## JBOS-5 Benchttop Oscillating Spindle Sander



**JET EQUIPMENT & TOOLS, INC.**  
A WMH Company  
[www.jettools.com](http://www.jettools.com)

P.O. BOX 1349  
Auburn, WA 98071-1349  
e-mail [jet@jettools.com](mailto:jet@jettools.com)

Phone:253-351-6000  
Fax: 1-800-274-6840  
**M-708404 10/00**

# Important Information

**2-YEAR  
LIMITED WARRANTY**

**JET offers a two-year limited  
warranty on this product**

## REPLACEMENT PARTS

Replacement parts for this tool are available directly from JET Equipment & Tools. To place an order, call 1-800-274-6848. Please have the following information ready:

1. Visa, MasterCard, or Discover Card number
2. Expiration date
3. Part number listed within this manual
4. Shipping address other than a Post Office box.

## REPLACEMENT PART WARRANTY

JET Equipment & Tools makes every effort to assure that parts meet high quality and durability standards and warrants to the original retail consumer/purchaser of our parts that each such part(s) to be free from defects in materials and workmanship for a period of thirty (30) days from the date of purchase.

## PROOF OF PURCHASE

Please retain your dated sales receipt as proof of purchase to validate the warranty period.

## LIMITED TOOL AND EQUIPMENT WARRANTY

JET makes every effort to assure that its products meet high quality and durability standards and warrants to the original retail consumer/purchaser of our products that each product be free from defects in materials and workmanship as follows: 2 YEAR LIMITED WARRANTY ON THIS JET PRODUCT. Warranty does not apply to defects due directly or indirectly to misuse, abuse, negligence or accidents, repairs or alterations outside our facilities or to a lack of maintenance. JET LIMITS ALL IMPLIED WARRANTIES TO THE PERIOD SPECIFIED ABOVE FROM THE DATE THE PRODUCT WAS PURCHASED AT RETAIL. EXCEPT AS STATED HEREIN, ANY IMPLIED WARRANTIES OR MERCHANTABILITY AND FITNESS ARE EXCLUDED. SOME STATES DO NOT ALLOW LIMITATIONS ON HOW LONG THE IMPLIED WARRANTY LASTS, SO THE ABOVE LIMITATION MAY NOT APPLY TO YOU. JET SHALL IN NO EVENT BE LIABLE FOR DEATH, INJURIES TO PERSONS OR PROPERTY OR FOR INCIDENTAL, CONTINGENT, SPECIAL OR CONSEQUENTIAL DAMAGES ARISING FROM THE USE OF OUR PRODUCTS. SOME STATES DO NOT ALLOW THE EXCLUSION OR LIMITATION OF INCIDENTAL OR CONSEQUENTIAL DAMAGES, SO THE ABOVE LIMITATION OR EXCLUSION MAY NOT APPLY TO YOU. To take advantage of this warranty, the product or part must be returned for examination, postage prepaid, to an authorized service station designated by our Auburn office. Proof of purchase date and an explanation of the complaint must accompany the merchandise. If our inspection discloses a defect, JET will either repair or replace the product or refund the purchase price, if we cannot readily and quickly provide a repair or replacement, if you are willing to accept such refund. JET will return repaired product or replacement at JET's expense, but if it is determined there is no defect, or that the defect resulted from causes not within the scope of JET's warranty, then the user must bear the cost of storing and returning the product. This warranty gives you specific legal rights, and you have other rights, which vary, from state to state.

**JET Equipment & Tools • P.O. Box 1349, Auburn, WA 98071-1349 • (253) 351-6000**

## **WARNING**

1. **Read and understand the entire contents of this manual before attempting assembly or operation. Do not use this tool until proper training and knowledge has been obtained.**
2. Keep guards in place and in working order.
3. Keep fingers and hands away from the spindle while in operation. Avoid getting fingers too close to the drum.
4. Remove adjusting keys and wrenches. Form habit of checking to see that keys and adjusting wrenches are removed before operating.
5. Keep work area clean. Cluttered areas and benches invite accidents.
6. Don't use in dangerous environment. Don't use power tools in damp or wet locations, or expose them to rain.
7. Keep children and visitors away. All children and visitors should be kept a safe distance from work area.
8. Don't force tool. It will do the job better and be safer at the rate for which it was designed.
9. Use right tool. Don't force a tool or attachment to do a job for which it was not designed.
10. Wear proper apparel. No loose clothing, gloves, neckties, rings, bracelets, or other jewelry to get caught in moving parts. Nonslip footwear is recommended. Wear protective hair covering to contain long hair.
11. Always use safety glasses. Wear safety glasses (must comply with ANSI Z87.1). Everyday eyeglasses only have impact resistant lenses; they are not safety glasses. Also use face or dust mask if cutting operation is dusty.
12. Don't overreach. Keep proper footing and balance at all times.
13. Turn the machine off and unplug from the power source before changing spindles.
14. Be sure the spindle drum is in good condition with no tears or holes before operating the sander.
15. Disconnect tools before servicing and when changing accessories such as blades, bits, cutters, etc.
16. Avoid accidental starting. Make sure switch is in "OFF" position before plugging in power cord.
17. Never stand on tool. Serious injury could occur if the tool is tipped or if the cutting tool is accidentally contacted.
18. Check damaged parts. Before further use of the tool, a guard or other part that is damaged should be carefully checked to ensure that it will operate properly and perform its intended function – check for alignment of moving parts, binding of moving parts, breakage of parts, mounting, and any other conditions that may affect its operation. A guard or other part that is damaged should be properly repaired or replaced.
19. Do not operate tool while under the influence of drugs, alcohol or any medication.
20. Shut off power before servicing or adjusting.
21. Never leave the tool running while unattended. Turn power off. Don't leave until the tool comes to a complete stop.

<b>Table of Contents</b>	<b>Page</b>
Warranty .....	2
Warnings .....	3
Table of Contents .....	4
Specifications.....	4
Unpacking and Clean-Up .....	5
Spindle & Insert Holders.....	5
Installing Spindles .....	5
Insert Plates .....	5
Setup for 90° .....	6
Setup for Bevel Sanding .....	6
Dust Collection .....	6
Turning the Sander On & Off.....	6
Removing Spindles.....	7
Changing Sanding Sleeves.....	7
Replacement Sanding Sleeves .....	7
Parts Breakdown .....	8-9
Parts List .....	10-12

## Specifications

JBOS-5.....	708404
Table Size (in).....	14-1/2"x14-1/2"
Table Tilt (down).....	0-45°
Spindle Speed (rpm) .....	1,725
Oscillations (per minute) .....	30
Length of Oscillations (in).....	1
Motor (TEFC).....	1/2 HP, 1Ph, 110V
Net Weight (lbs).....	77

The specifications in this manual are given as general information and are not binding. JET Equipment & Tools reserves the right to effect, at any time and without prior notice, changes or alterations to parts, fittings, and accessory equipment deemed necessary for any reason whatsoever.

## Unpacking and Clean-Up

1. Finish removing all contents from the shipping container. Do not discard any shipping material until the sander is set up and running properly.
2. Report damage, if any, to your local distributor and, or shipping company.
3. Clean all rust protected surfaces with a mild solvent or kerosene. Do not use lacquer thinner, paint thinner, or gasoline. These will damage painted surfaces.
4. To prevent rust, apply a light coating of sealer to the table surface.

## Spindle & Insert Holders

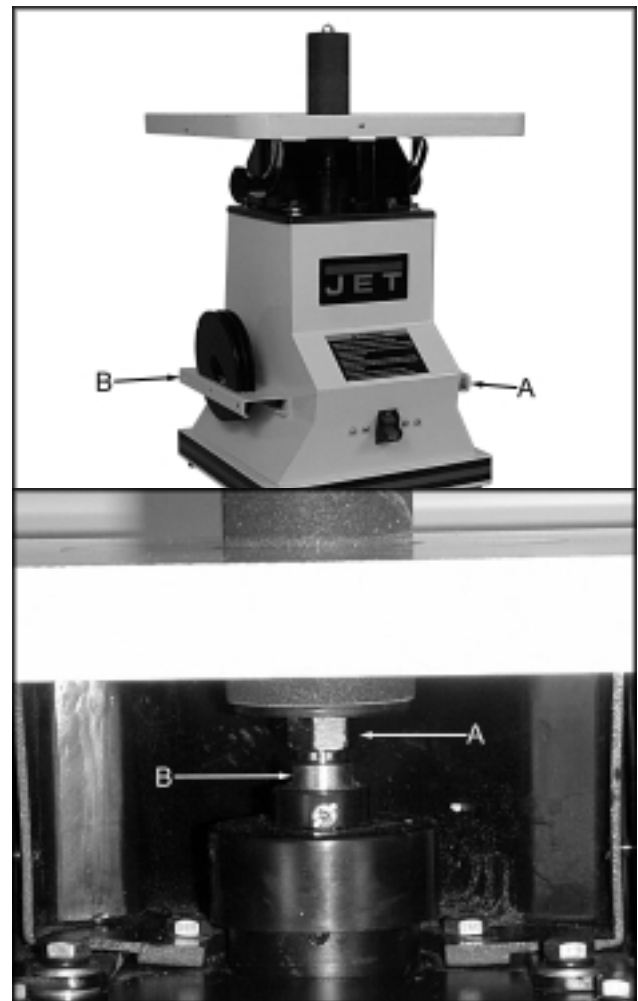
1. Attach the spindle holder (A, Fig. 1) and the insert holder (B, Fig. 1) to the cabinet using six hex socket cap screws.
2. Clean the inserts and spindles. Place in the appropriate holder.

## Installing Spindles

1. Before inserting the threaded spindle into the spindle housing, make sure the surfaces are clean.
2. Thread the spindle counter-clockwise into the spindle housing.
3. Using the provided wrenches, tighten the spindle nut (A, Fig. 2) counter-clockwise while holding the spindle housing flat (B, Fig. 2) with the other wrench.
4. Do not overtighten the spindle as it may be difficult to remove after the sanding operation.

## Insert Plates

1. Always use an insert plate.
2. There are 2 oblong, and 2 round insert plates included with the machine. The oblong insert plates are used when the table is tilted for bevel sanding. Each plate has a notch on the outer edge to ensure that it is inserted properly



## Setup for 90°

1. Loosen both knobs, (A, Fig. 3) and place the table in the 0° position.
2. Place a square (B, Fig. 3) on the table. Rest the long section of the square against the sanding drum. The square should be flat against the table and the sanding drum.
3. If the table needs adjustment loosen both knobs and tilt the table so that the square is flat against the table and sanding drum.
4. Make sure the pointer (C, Fig. 3) reads 0°. If the pointer needs adjusted loosen the screw (D, Fig. 3), and adjust to the correct position.
5. Adjust the 90° stop (E, Fig. 3) with a hex wrench so that it rests against the bottom side of the table.

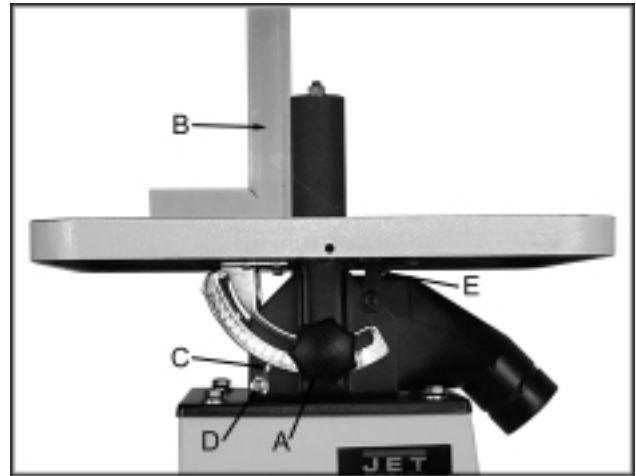


Fig. 3

## Setup for Bevel Sanding

1. Loosen both knobs (A, Fig. 4) and adjust the table to the desired angle.
2. Tighten both knobs.

## Dust Collection

The dust port (B, Fig. 4) can be hooked directly to a 2" hose for dust collection.

See your local JET distributor for the complete line of dust collectors and the full line of JET Dust Collector Hoses and Accessories. Customize your installation and obtain maximum performance with JET's dust hoods, hoses, clamps, fittings, and blast gates.

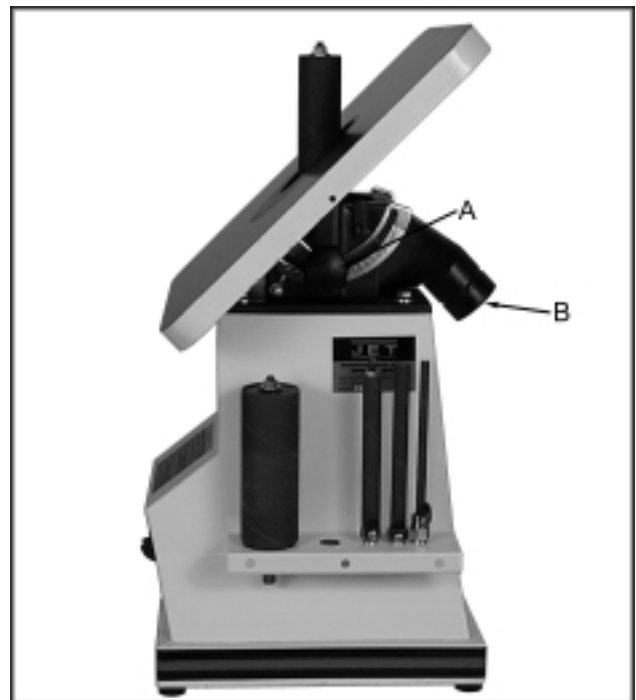


Fig. 4

## Turning the Sander On & Off

**Note:** Before hooking the sander to the power source, make sure that the switch is in the off position.

The sander can be turned on by flipping the switch to the on position.

There is a removable key in the tip of the switch that can be removed in the off position. When the key has been removed the dust collector cannot be used.

## Removing Spindles

Using the provided wrenches, loosen the spindle nut (A, Fig. 5) clockwise while holding the spindle housing flat (B, Fig. 5) with the other wrench.

## Changing Sanding Sleeves

### 1/4", 1/2" and 5/8"

1. Loosen the clamp (A, Fig. 6) with a cross point screwdriver.
2. Remove the sanding sleeve from the spindle shaft.

### 1-1/2" and 2" (optional 3")

1. Loosen the nut (B, Fig. 6) with the provided wrench.
2. Remove the sanding sleeve from the spindle shaft.
3. Reverse these steps to install the new sanding sleeves.

## Replacement Sanding Sleeves

Part #	Size	Grit
575800	1/4"	100 Grit
575801	1/4"	120 Grit
575806	1/2"	60 Grit
575807	1/2"	80 Grit
575808	1/2"	100 Grit
575809	1/2"	120 Grit
575810	5/8"	60 Grit
575811	5/8"	80 Grit
575812	5/8"	100 Grit
575813	5/8"	120 Grit
575838	1-1/2"	60 Grit
575839	1-1/2"	80 Grit
575840	1-1/2"	100 Grit
575841	1-1/2"	150 Grit
575842	2"	60 Grit
575843	2"	80 Grit
575844	2"	100 Grit
575845	2"	150 Grit

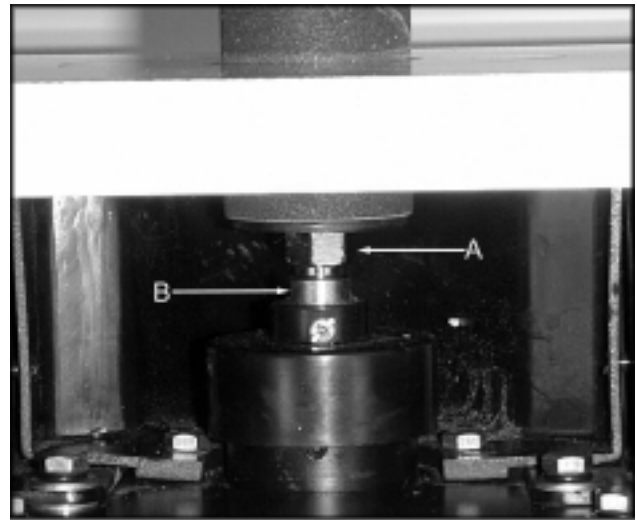


Fig. 5

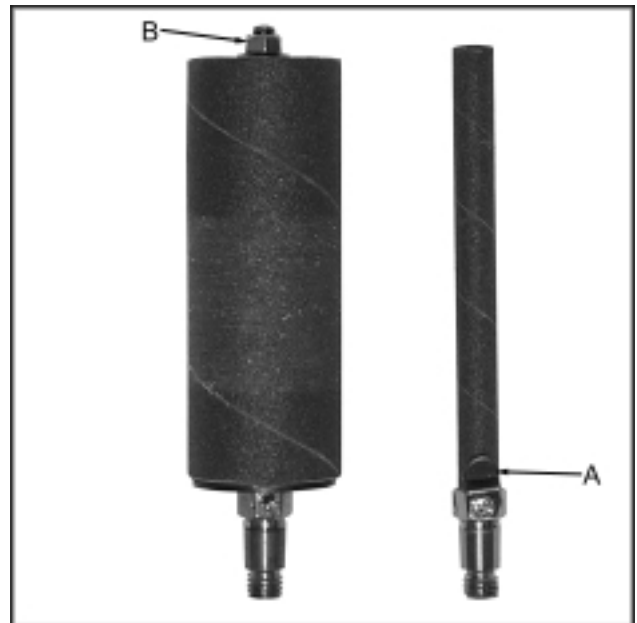
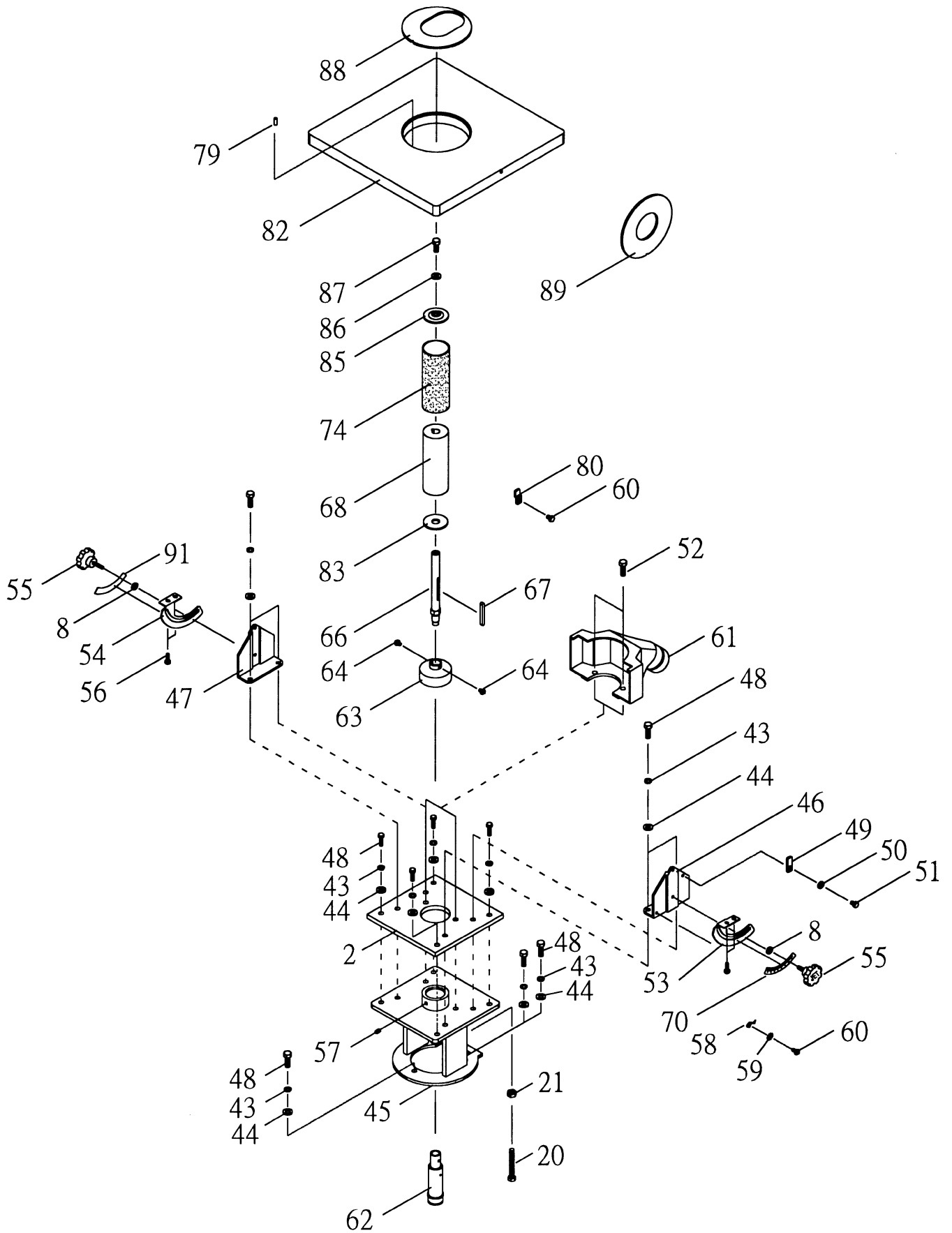


Fig. 6

## 3" Optional Accessories

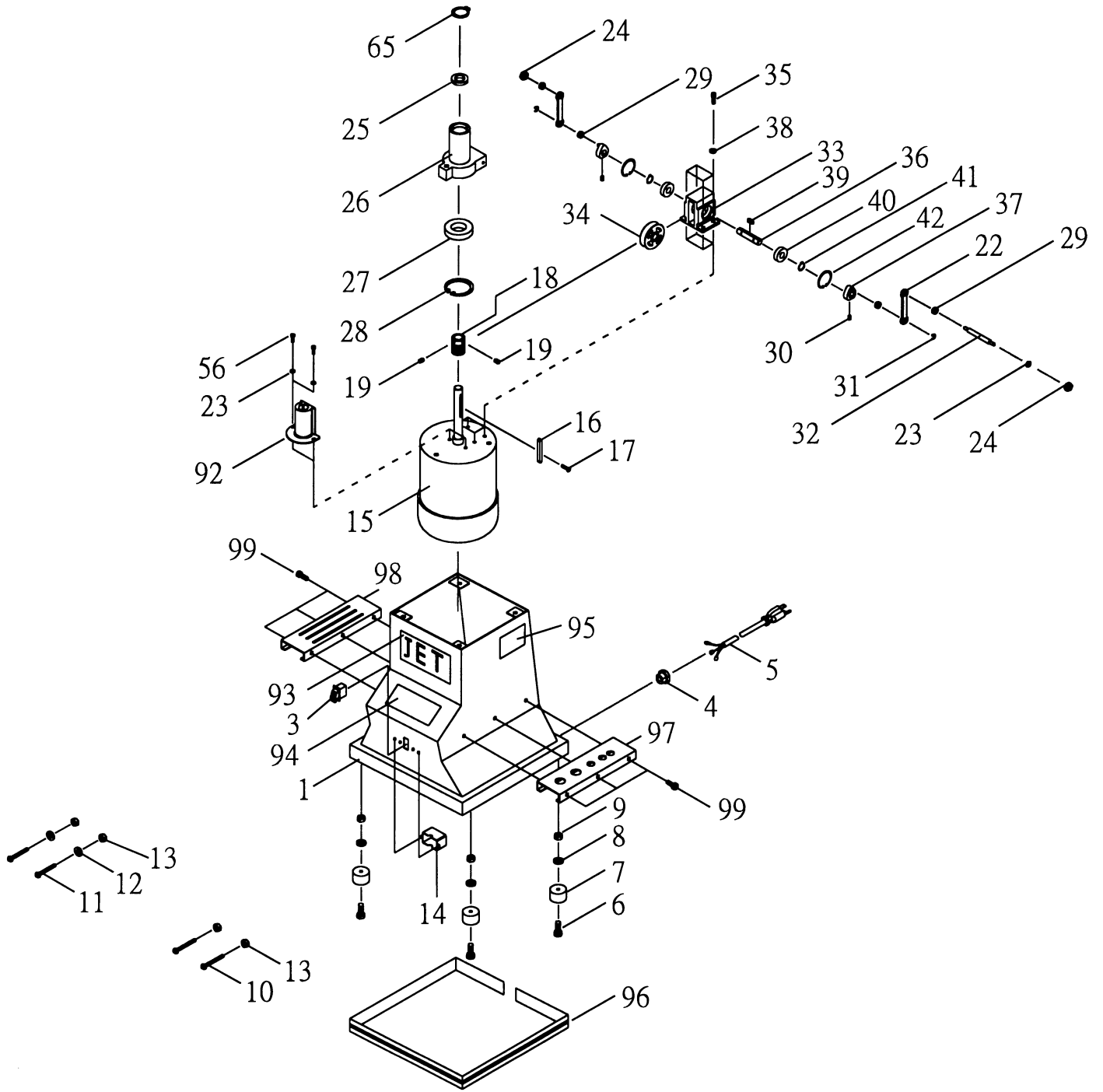
575846	3"	60 Grit
575847	3"	80 Grit
575848	3"	100 Grit
575849	3"	150 Grit
709539	3"	Table Insert
709534	3"	Spindle Assembly
709538	3"	Rubber Drum and Sleeve

### Table Assembly for the JBOS-5





# Base & Motor Assembly for the JBOS-5



## Parts List for the JBOS-5

Index No.	Part No.	Description	Size	Qty.
1	6286914W	Base		1
2	6286891	Top Plate		1
3	JBOS5-03	On/Off Switch		1
4	6286915	Strain Relief Bushing		1
5	6286916	Power Cord		1
6	6286485	Phillips Pan Head Screw	M6x22mm	4
7	6286918	Rubber Feet		4
8	6286919	Washer	1/4"	6
9	6286486	Hex Nut	M6	4
10	6286921	Phillips Pan Head Screw	3/16"-24x1-3/4"	2
11	6286922	Phillips Pan Head Screw	3/16"-24x3/4"	2
12	6286923	Gear Washer	3/16"	2
13	6286924	Hex Nut	3/16"-24	4
14	JBOS5-14	Switch Box		1
15	6286912	Motor	1/2 HP	1
16	6286926	Key	6x6x50	1
17	6286927	Flat Head Screw	M4x10	2
18	6286928	Worm Shaft		1
19	6286487	Set Screw	M6x10	2
20	6286930	Transmission Rod		1
21	6286931	Hex Nut	M8	1
22	6286932	Connecting Rod		2
23	6286933	Washer	1/4"	4
24	6286488	Nylon Nut	M5	2
25	BB-6804	Ball Bearing	6804-2RS	1
26	6286470	Transmission		1
27	BB-6006ZZ	Ball Bearing	6006ZZ	1
28	6286938	C-Snap Ring	R60	1
29	6286939	Bushing		4
30	6286481	Set Screw	M5X6	2
31	6286482	E-Ring	ETW-4	2
32	6286471	Connecting Shaft		1
33	6286472	Bracket		1
34	6286473	Worm		1
35	6286490	Hex Socket Cap Screw	M6x15	4
36	6286476	Shaft		2
37	6286480	Crank Shaft		2
38	6286474	Spring Washer	1/4"	4
39	6286475	Key	4x4x15	1
40	BB-6001ZZ	Ball Bearing	6001ZZ	2
41	6286478	C-Snap Ring	S12	2
42	6286479	C-Snap Ring	R28	2
43	6286483	Spring Washer	5/16"	11
44	6286484	Flat Washer	5/16"	11
45	6286948	Housing		1
46	6286949	L-Type Bracket-Right		1
47	6286950	L-Type Bracket-Left		1
48	6286951	Screw	M8x25	11
49	6286952	Stop Plate		1
50	6286953	Washer	1/4"	1
51	6286954	Hex Cap Bolt	M6x10	1
52	6286951	Screw	M8x16	2

Index No.	Part No.	Description	Size	Qty.
53	JBOS5-53	Support Trunnion-Right		1
54	JBOS5-54	Support Trunnion-Left		1
55	JBOS5-55	JET Lock Knob	M6x15	2
56	JBOS5-56	Hex Socket Cap Screw	M5x15	6
57	6286492	Set Screw	M6x5	1
58	6286961	Pointer		1
59	6286493	Gear Washer	1/4"	1
60	6286963	Round Cross Head Screw	M5x10	4
61	6286964	Dust Cover		1
62	6286894	Main Spindle		1
63	6286967	Cover		1
64	6286494	Phillips Pan Head Screw	M5x6	2
65	JBOS5-65	C-Snap Ring	S28	1
66	JBOS5-66	5/8" Sanding Spindle		3
	JBOS5-71	1/2" Sanding Spindle (not shown)		1
	JBOS5-72	1/4" Sanding Spindle (not shown)		1
67	JBOS5-67	Key	6x6x50	2
68	6286904	2" P.V.C Bushing		1
	6286903	1-1/2" P.V.C Bushing (not shown)		1
70	JBOS5-70	Scale Label		1
79	6286495	Spring Pin	3x12	1
80	6286796	5/8" Clamp		1
	6286795	1/2" Clamp (not shown)		1
	6286794	1/4" Clamp (not shown)		1
82	6286973W	Table		1
83	6286798	2" Lower Follower Plate		2
	6286974	1-1/2" Lower Follower Plate (not shown)		1
85	6286799	2" Upper Follower Plate		1
	6286976	1-1/2" Upper Follower Plate (not shown)		1
86	6286977	Washer	5/16"	3
87	6286978	Hex Nut	5/16"	3
88	6286979	2" Oblong Table Insert		1
89	6286980	2" Table Insert		1
	6286981	3/4" Oblong Table Insert (not shown)		1
	6286982	3/4" Table Insert (not shown)		1
91	JBOS5-91	Scale Label		1
92	JBOS5-92	Oil Cap		1
93	JBOS5-93	JET Label		1
94	JBOS5-94	Warning Label		1
95	JBOS5-95	I.D Label		1
96	JBOS5-96	Stripe		1
97	JBOS5-97	Storage Plate for Drums		1
98	JBOS5-98	Storage Plate for Table Inserts		1
99	TS-1514011	Hex Socket Cap Screw	M6x12	6
	JBOS5-105	Special Wrench (not shown)	17mm	1
	JBOS5-106	Open End Wrench (not shown)		1
	709530	Hardware Kit (not shown)		

### Individual Replacement Sanding Sleeves

575800	1/4"	100 Grit
575801	1/4"	120 Grit
575806	1/2"	60 Grit

575807	..... 1/2"	..... 80 Grit
575808	..... 1/2"	..... 100 Grit
575809	..... 1/2"	..... 120 Grit
575810	..... 5/8"	..... 60 Grit
575811	..... 5/8"	..... 80 Grit
575812	..... 5/8"	..... 100 Grit
575813	..... 5/8"	..... 120 Grit
575838	..... 1-1/2"	..... 60 Grit
575839	..... 1-1/2"	..... 80 Grit
575840	..... 1-1/2"	..... 100 Grit
575841	..... 1-1/2"	..... 150 Grit
575842	..... 2"	..... 60 Grit
575843	..... 2"	..... 80 Grit
575844	..... 2"	..... 100 Grit
575845	..... 2"	..... 150 Grit

### **3" Optional Accessories**

575846	..... 3"	..... 60 Grit
575847	..... 3"	..... 80 Grit
575848	..... 3"	..... 100 Grit
575849	..... 3"	..... 150 Grit
709539	..... 3"	..... Table Insert
709534	..... 3"	..... Spindle Assembly
709538	..... 3"	..... Rubber Drum and Sleeve

## Free Manuals Download Website

<http://myh66.com>

<http://usermanuals.us>

<http://www.somanuals.com>

<http://www.4manuals.cc>

<http://www.manual-lib.com>

<http://www.404manual.com>

<http://www.luxmanual.com>

<http://aubethermostatmanual.com>

Golf course search by state

<http://golfingnear.com>

Email search by domain

<http://emailbydomain.com>

Auto manuals search

<http://auto.somanuals.com>

TV manuals search

<http://tv.somanuals.com>