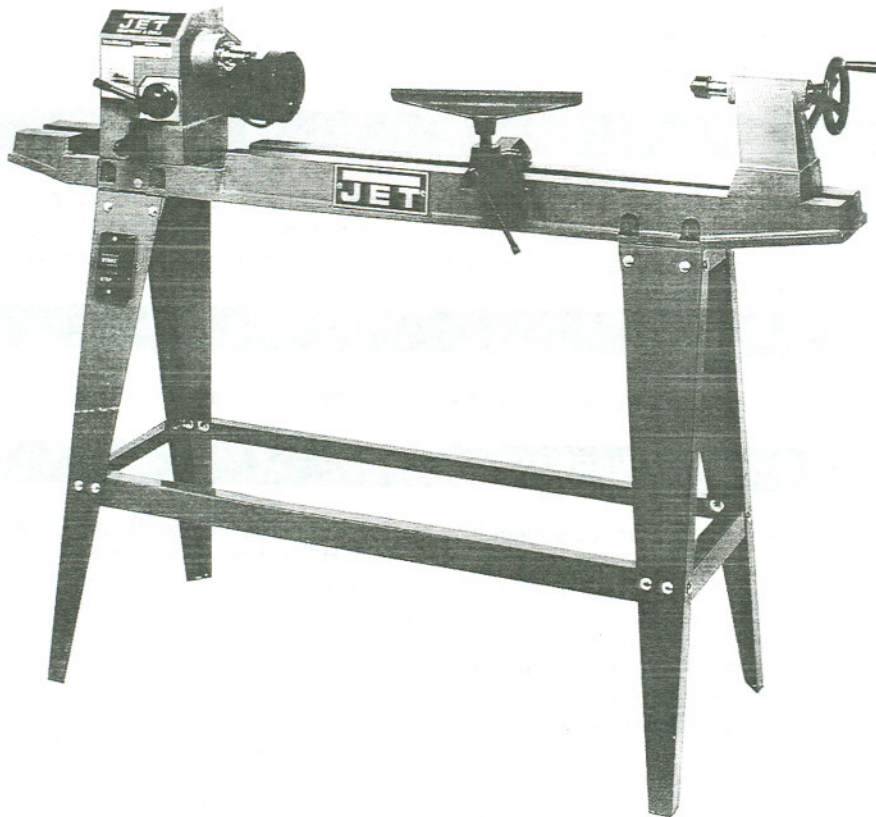


# JET

EQUIPMENT & TOOLS

## Operator's Manual JWL-1236 Wood Lathe



*Speeds*  
550  
900  
1250  
1650  
2600  
3000



NRTL/C  
LR108026

JET EQUIPMENT & TOOLS, INC.  
A WMH - Walter Meier Holding Company

P.O. BOX 1349  
AUBURN, WA 98071-1349

(253) 351-6000  
FAX (253) 939-8001

# Important Information

**2-YEAR  
LIMITED WARRANTY**

**JET offers a two-year limited  
warranty on this product**

## REPLACEMENT PARTS

Replacement parts for this tool are available directly from JET Equipment & Tools. To place an order, call 1-800-274-6848. Please have the following information ready:

1. Visa, MasterCard, or Discover Card number
2. Expiration date
3. Part number listed within this manual
4. Shipping address other than a Post Office box.

## REPLACEMENT PART WARRANTY

JET Equipment & Tools makes every effort to assure that parts meet high quality and durability standards and warrants to the original retail consumer/purchaser of our parts that each such part(s) to be free from defects in materials and workmanship for a period of thirty (30) days from the date of purchase.

## PROOF OF PURCHASE

Please retain your dated sales receipt as proof of purchase to validate the warranty period.

## LIMITED TOOL AND EQUIPMENT WARRANTY

JET makes every effort to assure that its products meet high quality and durability standards and warrants to the original retail consumer/purchaser of our products that each product be free from defects in materials and workmanship as follows: 2 YEAR LIMITED WARRANTY ON THIS JET PRODUCT. Warranty does not apply to defects due directly or indirectly to misuse, abuse, negligence or accidents, repairs or alterations outside our facilities or to a lack of maintenance. JET LIMITS ALL IMPLIED WARRANTIES TO THE PERIOD SPECIFIED ABOVE FROM THE DATE THE PRODUCT WAS PURCHASED AT RETAIL. EXCEPT AS STATED HEREIN, ANY IMPLIED WARRANTIES OR MERCHANTABILITY AND FITNESS ARE EXCLUDED. SOME STATES DO NOT ALLOW LIMITATIONS ON HOW LONG THE IMPLIED WARRANTY LASTS, SO THE ABOVE LIMITATION MAY NOT APPLY TO YOU. JET SHALL IN NO EVENT BE LIABLE FOR DEATH, INJURIES TO PERSONS OR PROPERTY OR FOR INCIDENTAL, CONTINGENT, SPECIAL OR CONSEQUENTIAL DAMAGES ARISING FROM THE USE OF OUR PRODUCTS. SOME STATES DO NOT ALLOW THE EXCLUSION OR LIMITATION OF INCIDENTAL OR CONSEQUENTIAL DAMAGES, SO THE ABOVE LIMITATION OR EXCLUSION MAY NOT APPLY TO YOU. To take advantage of this warranty, the product or part must be returned for examination, postage prepaid, to an authorized service station designated by our Auburn office. Proof of purchase date and an explanation of the complaint must accompany the merchandise. If our inspection discloses a defect, JET will either repair or replace the product or refund the purchase price, if we cannot readily and quickly provide a repair or replacement, if you are willing to accept such refund. JET will return repaired product or replacement at JET's expense, but if it is determined there is no defect, or that the defect resulted from causes not within the scope of JET's warranty, then the user must bear the cost of storing and returning the product. This warranty gives you specific legal rights, and you have other rights, which vary, from state to state.

**JET Equipment & Tools • P.O. Box 1349, Auburn, WA 98071-1349 • (253) 351-6000**

 **WARNING**

For your own safety, read this instruction manual before operating the lathe.

**Wear eye protection.**

**Do not wear gloves, necktie, or loose clothing.**

**Tighten all locks before operating.**

**Rotate the workpiece by hand before applying power.**

**Rough out the workpiece before installing on the faceplate.**

**Do not mount a split workpiece or one containing a knot.**

**Use the lowest speed when starting a new workpiece.**

- **KEEP GUARDS IN PLACE** and in working order.
- **REMOVE ADJUSTING KEYS AND WRENCHES.** Form the habit of checking to see that keys and adjusting wrenches are removed from the tool before turning it on.
- **KEEP THE WORK AREA CLEAN.** Cluttered areas and benches invite accidents.
- **DO NOT USE IN A DANGEROUS ENVIRONMENT.** Don't use power tools in damp or wet locations, or expose them to rain. Keep work area well lighted.
- **KEEP CHILDREN AWAY.** All visitors should be kept safe distance from the work area.
- **MAKE THE WORKSHOP KID PROOF** with padlocks, master switches, or by removing starter keys.
- **DON'T FORCE THE TOOL.** It will do the job better and safer at the rate for which it was designed.
- **USE THE RIGHT TOOL.** Don't force a tool or attachment to do a job for which it was not designed.
- **USE THE PROPER EXTENSION CORD.** Make sure you extension cord is in good condition. When using an extension cord, be sure to use one heavy enough to carry the current your product will draw. An undersize cord will cause a drop in the line voltage resulting in loss of power and overheating. **For runs up to 25 feet, use a 18 AWG or larger gauge cord. For runs up to 50 feet, use a 16 AWG or larger gauge cord. For runs up to 100 feet, use a 14 AWG or larger gauge cord. For runs up to 150 feet, use a 12 AWG or larger gauge cord. Runs over 150 feet are not recommended.** If in doubt, use the next heavier gauge. The smaller the gauge number, the heavier the cord.
- **WEAR PROPER APPAREL.** Do not wear loose clothing, gloves, neckties, rings, bracelets, or other jewelry which may get caught in moving parts. Nonslip footwear is recommended. Wear protective hair covering to contain long hair.

- **ALWAYS USE SAFETY GLASSES.** Also use face or dust masks if the cutting operation is dusty. Everyday eyeglasses only have impact resistant lenses, they are NOT safety glasses.
- **SECURE WORK.** Use clamps or a vise to hold the work when its practical. It's safer than using your hand and it frees both hands to operate the tool.
- **DON'T OVERREACH.** Keep proper footing and balance at all times.
- **MAINTAIN TOOLS WITH CARE.** Keep tools sharp and clean for best and safest performance. Follow instructions for lubricating and changing accessories.
- **DISCONNECT TOOLS** before servicing; when changing accessories, such as blades, bits cutters, and the like.
- **REDUCE THE RISK OF UNINTENTIONAL STARTING.** Make sure the switch is in the off position before plugging in the machine.
- **USE RECOMMENDED ACCESSORIES.** Consult the owner's manual for recommended accessories. The use of improper accessories may cause a risk of injury.
- **NEVER STAND ON A TOOL.** Serious injury could occur if the tool is tipped or if the cutting tool is unintentionally contacted.
- **CHECK DAMAGED PARTS.** Before further use of the tool, a guard or other part that is damaged should be carefully checked to determine that it will operate properly and perform its intended function. Check for alignment of moving parts, binding of moving parts, breakage of parts, mounting, and any other conditions that may affect its operation. A guard or other part that is damaged should be properly repaired or replaced.
- **DIRECTION OF FEED.** Feed work into a blade or cutter against the direction of rotation of the blade or cutter only.
- **NEVER LEAVE THE TOOL RUNNING UNATTENDED. TURN THE POWER OFF.** Don't leave the tool until it comes to a complete stop.

## Grounding Instructions

**Caution:** This tool must be grounded while in use to prevent electric shock.

In the event of a malfunction or breakdown, grounding provides a path of least resistance for electric current to reduce the risk of electric shock. This tool is equipped with an electric cord having an equipment-grounding conductor and a grounding plug. The plug must be plugged into a matching outlet that is properly installed and grounded in accordance with all local codes and ordinances.

Do not modify the plug provided. If it will not fit the outlet, have the proper outlet installed by a qualified electrician.

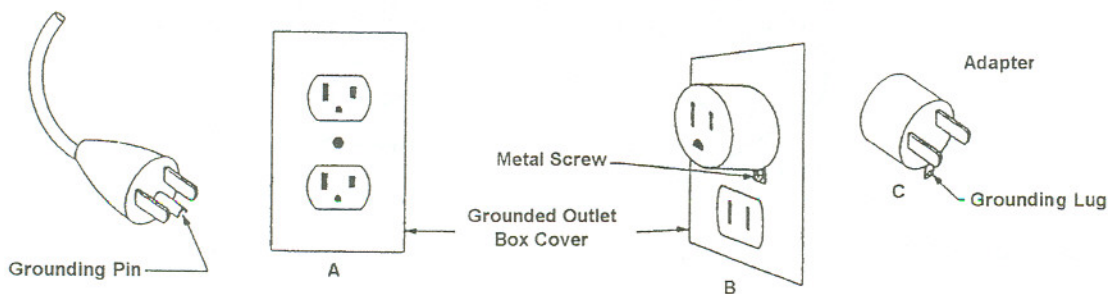
Improper connection of the equipment-grounding conductor can result in a risk of electric shock. The conductor, with insulation having an outer surface that is green with or without yellow stripes, is the equipment-grounding conductor. If repair or replacement of the electric cord or plug is necessary, do not connect the equipment-grounding conductor to a live terminal.

Check with a qualified electrician or service personnel if the grounding instructions are not completely understood, or if in doubt as to whether the tool is properly grounded.

Use only three wire extension cords that have three-prong grounding plugs and three-pole receptacles that accept the tool's plug.\*

Repair or replace a damaged or worn cord immediately.

This tool is intended for use on a circuit that has an outlet that looks the one illustrated in Figure A below. The tool has a grounding plug that looks like the grounding plug as illustrated in Figure A below. A temporary adapter, which looks like the adapter as illustrated in Figures B and C below, may be used to connect this plug to a two-pole receptacle, as shown in Figure B if a properly grounded outlet is not available.\*\* The temporary adapter should only be used until a properly grounded outlet can be installed by a qualified electrician. The green colored rigid ear or tab, extending from the adapter, must be connected to a permanent ground such as a properly grounded outlet box.



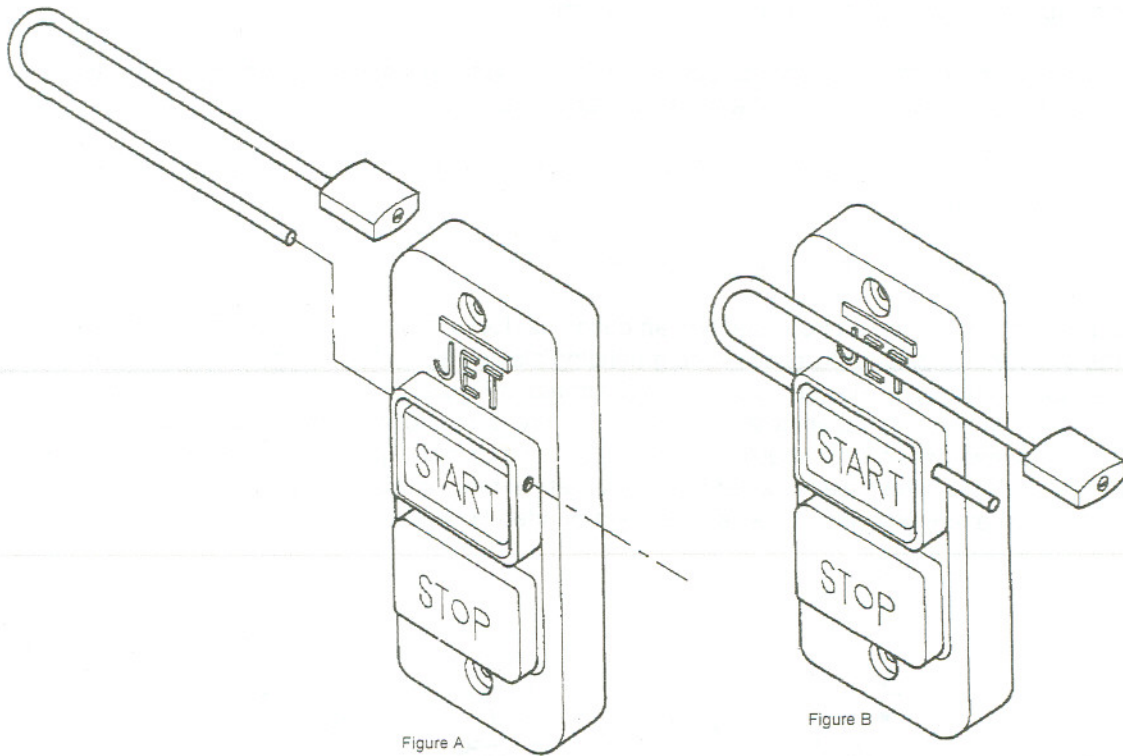
\* Canadian electrical codes require extension cords to be certified SJT type or better.

\*\* Use of an adapter in Canada is not acceptable.

## On-Off Switch Padlock

Model No. BP-1, Stock No. 709736

To safeguard your machine from unauthorized operation and to avoid accidental starting by young children, the use of a padlock is highly recommended. JET model BP-1 is available from your local authorized JET distributor or by calling JET Equipment & Tools at 800-274-6848.



To lock out an on-off switch:

1. Open the padlock. See Fig. A.
2. Insert through holes in the start button. See Fig. B
3. Close the padlock.
4. Place the key in a safe place.

## Specifications

JWL-1236

Stock Number .....	708352
Swing Over Bed .....	6"
Swing Over Tool Rest Base .....	4-3/8"
Distance Between Centers .....	35"
Speeds (RPM) .....	550-3000
Spindle Nose .....	1" x 8 T.P.I.
Hole through Spindle .....	3/8"
Headstock Taper .....	MT-2
Tailstock Taper .....	MT-2
Ram Travel .....	2-1/4"
Spindle Center to Floor (approx.) .....	41"
Overall Dimensions .....	44"H x 17"W x 60"L
Motor .....	3/4 HP, 1Ph. 115V Only
Net Weight (approx.) .....	183 Lbs.
Shipping Weight (approx.) .....	190 Lbs.

The specifications in this manual are given as general information and are not binding. JET Equipment and Tools reserves the right to effect, at any time and without prior notice, changes or alterations to parts, fittings, and accessory equipment deemed necessary for any reason whatsoever.

## Table of Contents

Grounding Instructions .....	1
On-Off Switch Padlock .....	2
Specifications .....	3
Table of Contents .....	3
Uncrating and Clean-Up .....	4
Contents of Shipping Carton .....	4
Tools Required for Assembly .....	4
Assembly .....	5-6
Controls .....	6-7
Nomenclature and Use .....	7
Adjusting Tool Rest .....	7
Operation .....	8-11
Parts Breakdown .....	12
Parts List .....	13-14
Electrical Schematic .....	15

## Uncrating and Clean-Up

**Note:** Uncrating and assembly will require two people due to the machines size and weight.

1. Finish removing contents from the shipping crate. Be sure to check crate thoroughly for any parts not found on initial unpacking.
2. Inspect contents for shipping damage and report any damage to your distributor.
3. Clean all protected parts with kerosene. Do not use gasoline, paint thinner, or any other cellulose-based solvent. These will damage painted surfaces and melt plastic.

## Contents of Shipping Carton:

- 1 - Lathe bed w/ motor and tailstock
- 1 - Tool rest w/ extension
- 4 - Stand legs
- 2 - Long stand braces
- 2 - Short stand braces
- 2 - Stand tops
- 1 - Bed extension
- 1 - Face plate
- 1 - Drift rod
- 1 - Live center
- 1 - Spur center
- 2 - Index pins
- 1 - Face shield
- 1 - Hardware package (nuts, bolts, etc.)
- 1 - Operator's manual
- 1 - Warranty card

## Tools Required for Assembly

- No. 1 cross point screwdriver
- No. 1 flat blade screwdriver
- Hex wrench set
- Adjustable wrench or combination wrench set

Use of sockets and a ratchet will speed stand assembly but are not required.



## Assembly

**Note:** Assemble stand completely and mount bed to stand before tightening all nuts. Hand tighten only during this part of the assembly process.

1. Attach a stand top (A, Fig. 1) to a stand leg (B, Fig. 1) with three 5/16" x 1" carriage bolts (C, Fig. 1), three 5/16" flat washers (D, Fig. 1), three 5/16" lock washers (E, Fig. 1), and three 5/16" hex nuts (F, Fig. 1). Stand top must be placed inside stand leg.
2. Attach second stand leg to previous assembly in the same manner.
3. Repeat these steps with the remaining two stand legs and stand top.
4. Join the two leg assemblies by attaching long braces (G, Fig. 1) to each leg and fastening with eight 5/16" x 1" carriage bolts (C, Fig. 1), eight 5/16" flat washers (D, fig. 1), eight 5/16" lock washers (E, Fig. 1) and eight 5/16" hex nuts (F, Fig. 1). **Remember to hand tighten only at this time.**
5. Attach short braces (H, Fig. 1) to each end of the stand using four 5/16" x 1" carriage bolts (C, Fig. 1), four 5/16" flat washers (D, Fig. 1), four 5/16" lock washers (E, Fig. 1), and four 5/16" hex nuts (F, Fig. 1)
6. Place assembled stand in approximate final location that is solid and level.
7. With the help of a second person, carefully lift bed up and onto stand.

**Note:** Be sure to place headstock end on the stand end with the switch.

**Note:** Before setting bed assembly down on the stand top, run motor cord through the hole in the stand top.

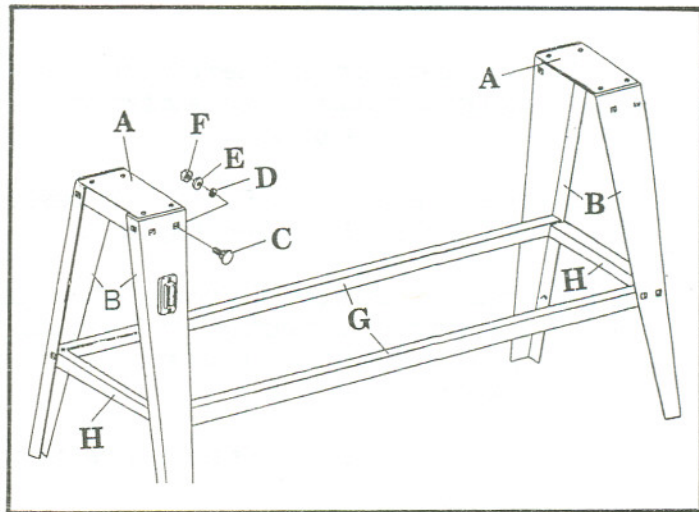


FIG-1

8. Align holes on bed with those in the stand top and fasten with eight hex socket cap screws (5/16"x1") , eight lock washers (5/16"), and eight nuts (5/16") supplied. **Note:** Two larger hex socket cap screws and washers will be used later to attach the bed extension to the bed.
9. Tighten eight hex socket cap screws with a hex wrench.
10. Tighten all stand hardware making sure it is stable on the shop floor.
11. Attach bed extension to bed using two hex socket cap screws (3/8"x1") and two lock washers (3/8") supplied.
12. Insert index plunger (A, Fig. 2) into the base of the headstock (B, Fig. 2) and tighten.
13. Attach the headstock lock handle (A, Fig. 3) to the head stock lock shaft (B, Fig. 3) with one spring (C, Fig. 3) and one hex socket cap screw (D, Fig. 3).
14. Attach the tailstock handle to the to the tailstock handwheel and tighten.
15. Connect the motor cord plug to the switch plug.

## Controls

**Speed Selector (A, Fig. 4)** - selects one of six available speeds. Select desired speed by pulling handle out from headstock and turning to left or right. Release handle and it will engage detent for that speed. **Caution: Never change speeds without motor running. Damage to the variable speed pulleys may result.**

**Headstock Lock (B, Fig. 4)** - locks headstock in a fixed position. Tighten clockwise to lock. Loosen counterclockwise to unlock. **Caution:** always operate lathe with the headstock in the locked position.

**Detent Release (C, Fig. 4)** - pull out and hold to swivel headstock. Release to engage detents at 90 or 180 degrees.

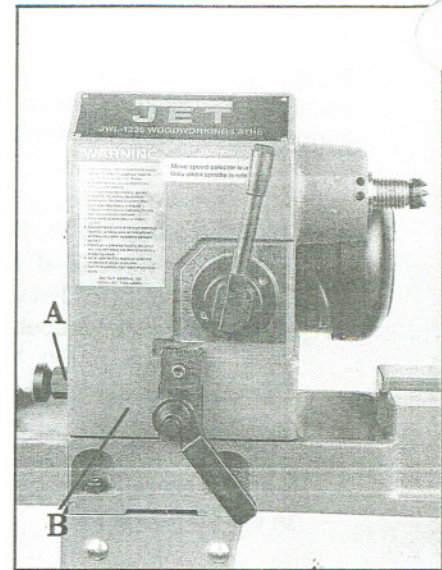


FIG - 2

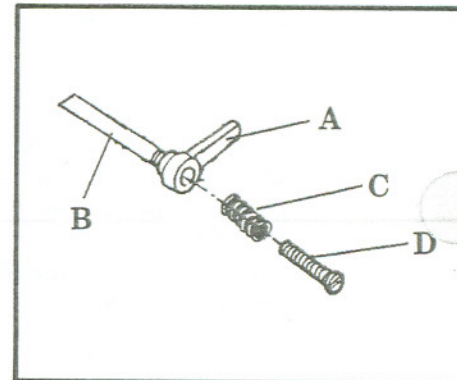


FIG - 3

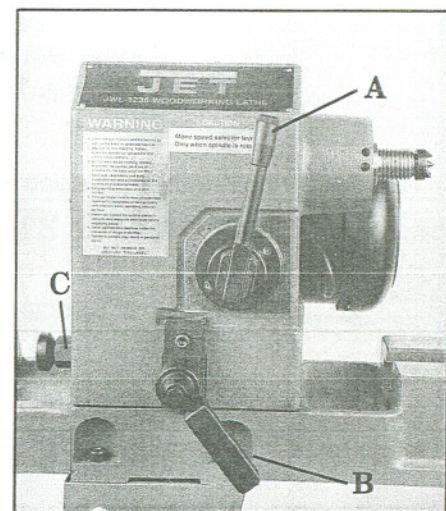


FIG - 4

**Tailstock Handwheel (A, Fig. 5)** - turn clockwise to move tailstock spindle forward. Turn counter-clockwise to retract tailstock spindle.

**Tailstock Spindle Lock (B, Fig. 5)** - locks tailstock spindle. Release to adjust handwheel.

**Tailstock Lock (C, Fig. 5)** - locks tailstock in position on the bed. Release to move tailstock assembly closer to or farther from the headstock.

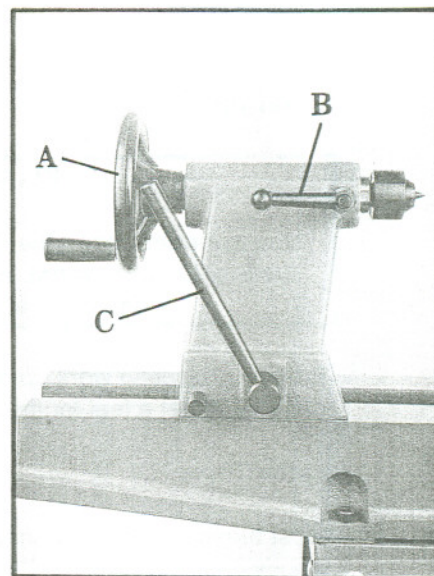


FIG-5

### Nomenclature and Use

**Spur Center (A, Fig. 6)** - locks into headstock and holds the workpiece during spindle turning.

**Index Pins (B, Fig. 6)** - used to install and remove spur center and face plate.

**Face plate (C, Fig. 6)** - attaches to headstock and is used in face plate turning operations.

**Drift Rod (D, Fig. 6)** - fits into the tailstock to remove the live center and into the headstock to remove the live center..

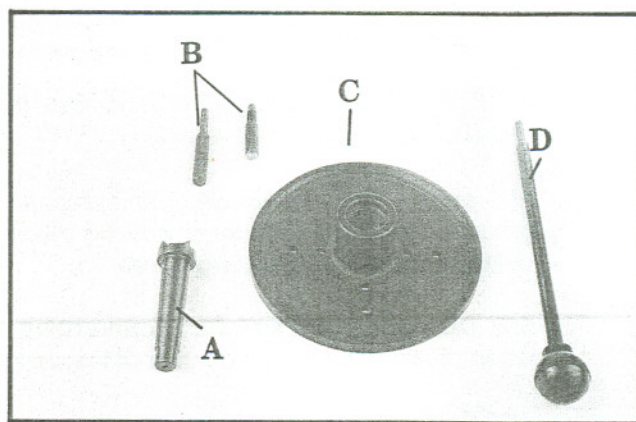


FIG-6

**Tool Rest (Fig. 7)** - attaches to any location on the bed or bed extension. Used to steady cutting tool during spindle turning or face plate operations.

### Adjusting Tool Rest

Position the tool rest as close to the work piece as possible. It should be 1/8" above the centerline.

Position the tool rest base on the bed or bed extension by releasing the lock handle (A, Fig. 7) and sliding onto the desired position. Tighten handle (A, Fig. 7) to lock. Adjust the height of the tool rest by loosening handle (B, Fig. 7) and raising arm (C, Fig. 7).

Should adjustment of the tool rest clamping device become necessary, simply turn base over and adjust large nut (A, Fig. 8).

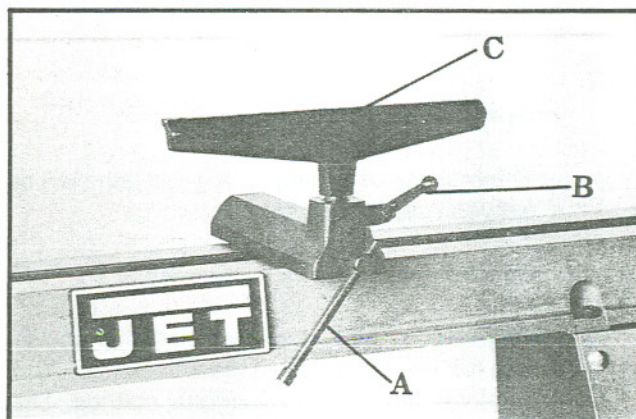


FIG-7

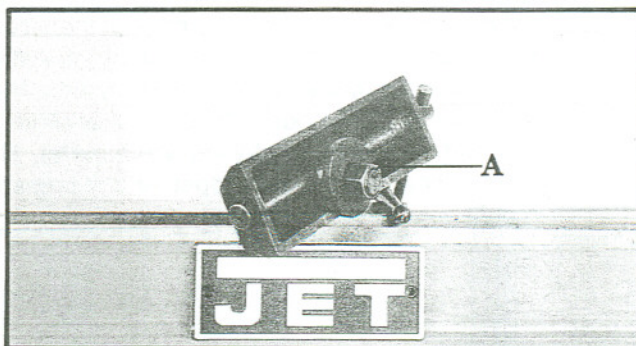


FIG-8

## Operation

 **WARNING!**

**Use supplied face shield or similar protection during all operations! Failure to comply may cause serious injury!**

Before attempting work on regular stock, use scrap material to get a feel for the machine.

## Lathe Tools

Most turning is accomplished with special woodworking chisels. They are available individually or in sets. JET's wood turning chisel set ( optional accessory - stock No. 709008) contains eight of the most popular types of chisels:

**5/16", 1/2", and 1" Gouge** - a round nose, hollow chisel for roughing and cove cutting.

**1/2" and 1" Skew** - a double ground, flat , and end ground to an angle used for smoothing cylinders and cutting shoulders, beads, v-grooves, etc.

**1/2" Diamond Point and 1/2" Round Nose** - used where their shape fits the contour of the work.

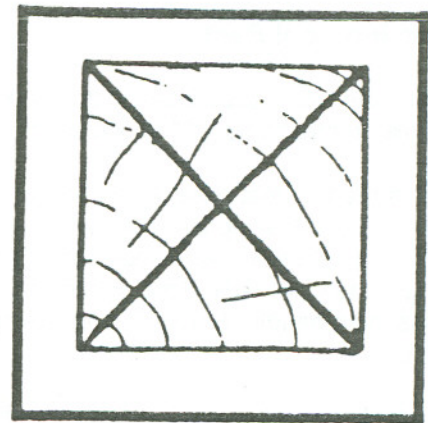
**1/2" Parting Tool** - double-ground chisel used for cutting-off, straight incisions, and sizing cuts to any diameter.

## Spindle Turning

The majority of turning on a wood lathe will be between centers, or spindle turning.

### Centering the Work

Preparation of the stock for spindle turning starts with finding the center of the work piece. The most common method is the diagonal method. Draw two lines to attach opposite corners on each end of the workpiece (Fig. 9). The intersection of these two lines is the center. Mark both ends of the stock. Mark the center of each end with a punch awl for softer wood or drill each end approximately 1/8" depth for harder woods. Place the spur center on one end and seat it by striking with a mallet. Hold the center and work piece together and prepare to mount between the spindles.



**FIG-9**

### Mounting the Work

Move the tailstock to approximately 1 to 1-1/2" from the end of the work piece and lock in position. Turn the tailstock handwheel until the center makes contact with the work piece. Continue to turn the hand wheel and slowly rotate the work piece by hand. After the work piece becomes difficult to turn by hand, reverse the hand wheel approximately one quarter turn and lock the tailstock spindle (Fig. 10).

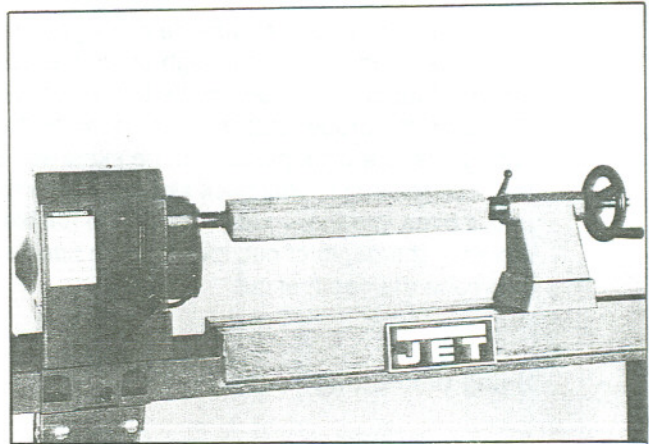


FIG - 10

### Adjusting the Tool Rest

Position the tool rest approximately 1/8" away from the work piece and 1/8" above the work centerline. After some experience has been gained, this position can be varied slightly to suit the operation.

### Position of Hands

There is no "proper" position for the hands when using chisels. Most beginners begin by using the palm-down grip (Fig. 11) for better control and switch later to the palm-up position (Fig. 12) for better manipulation. In the palm-down position, the little finger or heel of the hand acts as a guide along the tool rest. The first finger acts as a guide when using the palm-up method.

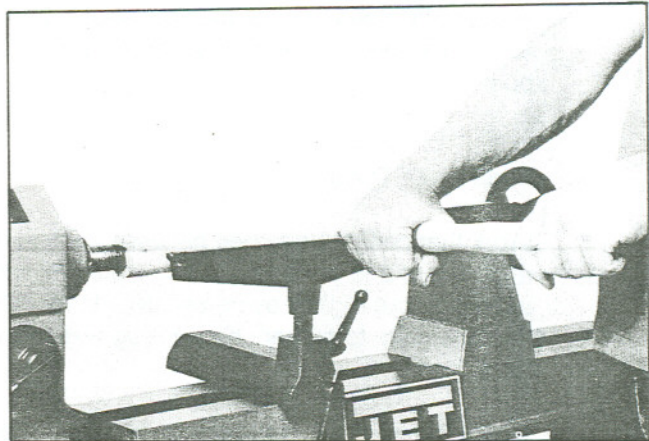


FIG - 11

### Roughing a Cylinder

Use a large gouge and run the lathe at a slow speed to rough-off the sharp corners of the work. Begin the cut 2 to 3 inches from the tailstock and work toward and off the tailstock end. Continue by cutting the next 2 to 3 inches left of the first cut, preferably working toward the tailstock end. This method of always working toward the tailstock is preferred because it throws the chips clear of the operator. Do not rough cut by taking one long pass at the work piece and do not start cuts at either end of the work piece. This has a tendency to tear long slivers from the work piece. Roll the gouge over slightly in the direction of the cut for best results. Once a cylindrical form has started to take shape, step up the speed one or two stops.

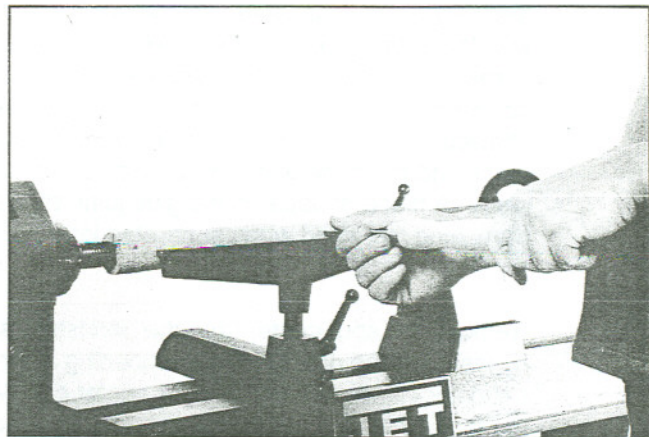


FIG - 12

## Smoothing a Cylinder

Use a large skew chisel with the cutting point near the center of the chisel and high up on the work piece. Support the chisel on the tool rest at all times. To locate the proper cutting position, place the chisel flat against the work piece with the skew well over the area to be cut. Pull back slowly on the chisel until it bites into the wood. Raising the handle will increase the depth of cut; lowering the handle will decrease the depth of cut.

## Using the Parting Tool

The parting tool is a scraping tool and is simply pushed into the work piece. A better cutting action is obtained by starting the cut with the handle low and gradually raising it as the cut gets deeper. If the cut is over 3/8" deep, a clearance cut should be made along side the first cut to avoid burning the chisel point.

## Face Plate Turning

Work that cannot be turned between centers must be attached to and turned on a face plate. All work should be cut slightly oversized prior to mounting on the face plate to prevent heavy roughing cuts during turning.

Mount the work piece directly to the face plate using four wood screws from the back. Be careful to use screws short enough not to interfere with the cutting process but long enough to hold the work piece securely to the face plate. If screws will interfere with the cutting process, the work piece can be screwed to a backing block and the backing block screwed to the face plate. If screw mounting is not allowed at all, the work may be glued to a backing block and the backing block screwed to the face plate. A piece of paper in the glue joint will prevent damaging the wood when separated later.

Remove the spur center from the headstock spindle by inserting the drift pin into the opening in the headstock and pushing the spur center out. Mount the face plate with the workpiece already attached onto the threaded portion of the spindle and hand tighten. **Note:** pieces up to 12" may be turned with the headstock spindle facing the tailstock (Fig. 13). For larger work pieces, the head stock will have to

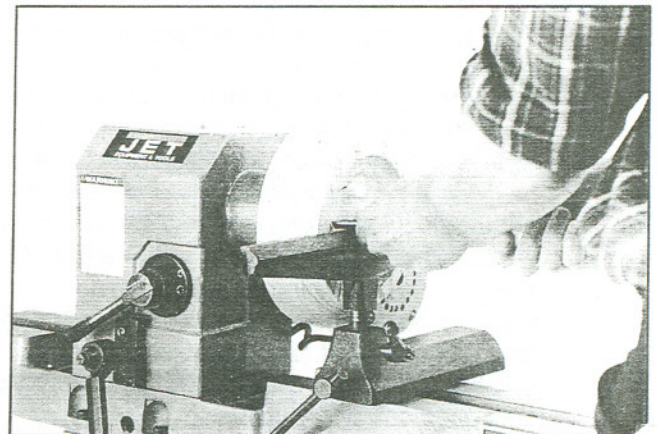
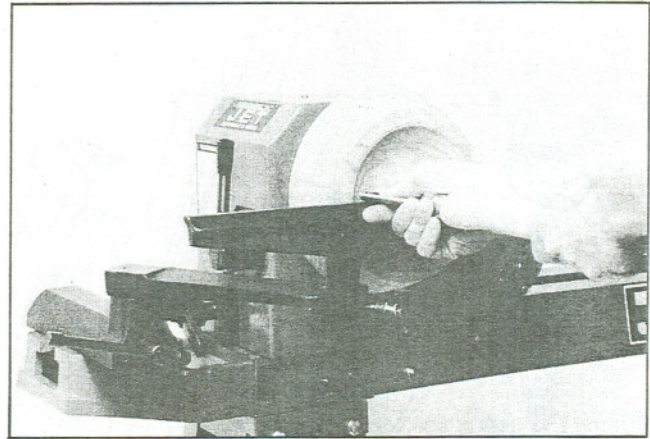


FIG - 13



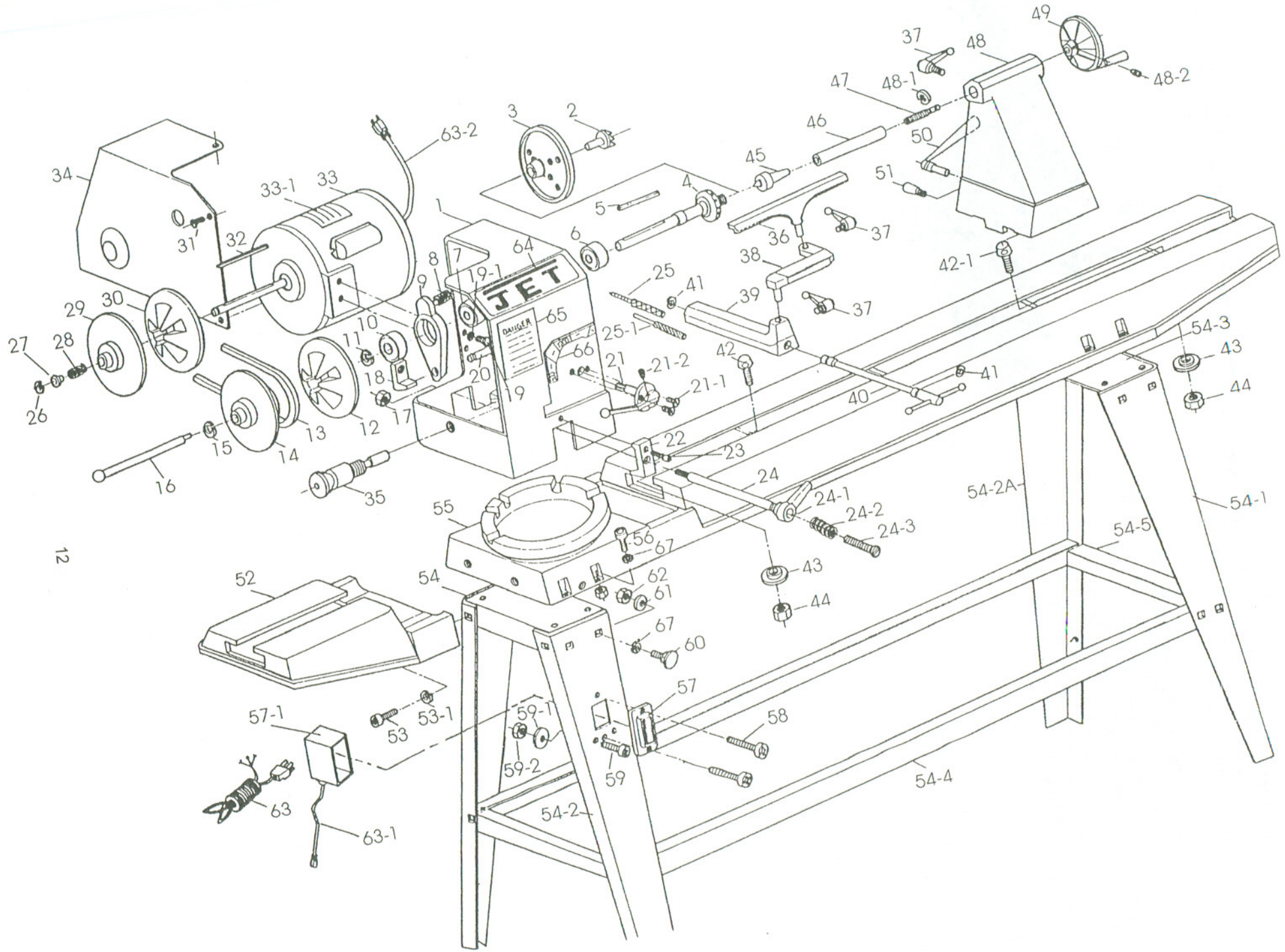
be turned 90 degrees, the tool rest extension added to the tool rest, and the tool rest moved out to the bed extension (Fig. 14).

For face plate turning, the tool rest is set approximately 1/8" from the work piece and slightly lower than centerline. The chisel must be held on the left half of the tool rest so that the rotation of the work piece keeps the chisel against the tool rest. Attempts at cutting from the right side of the rest may cause the chisel to be ripped from the operator's hand.



**FIG - 14**





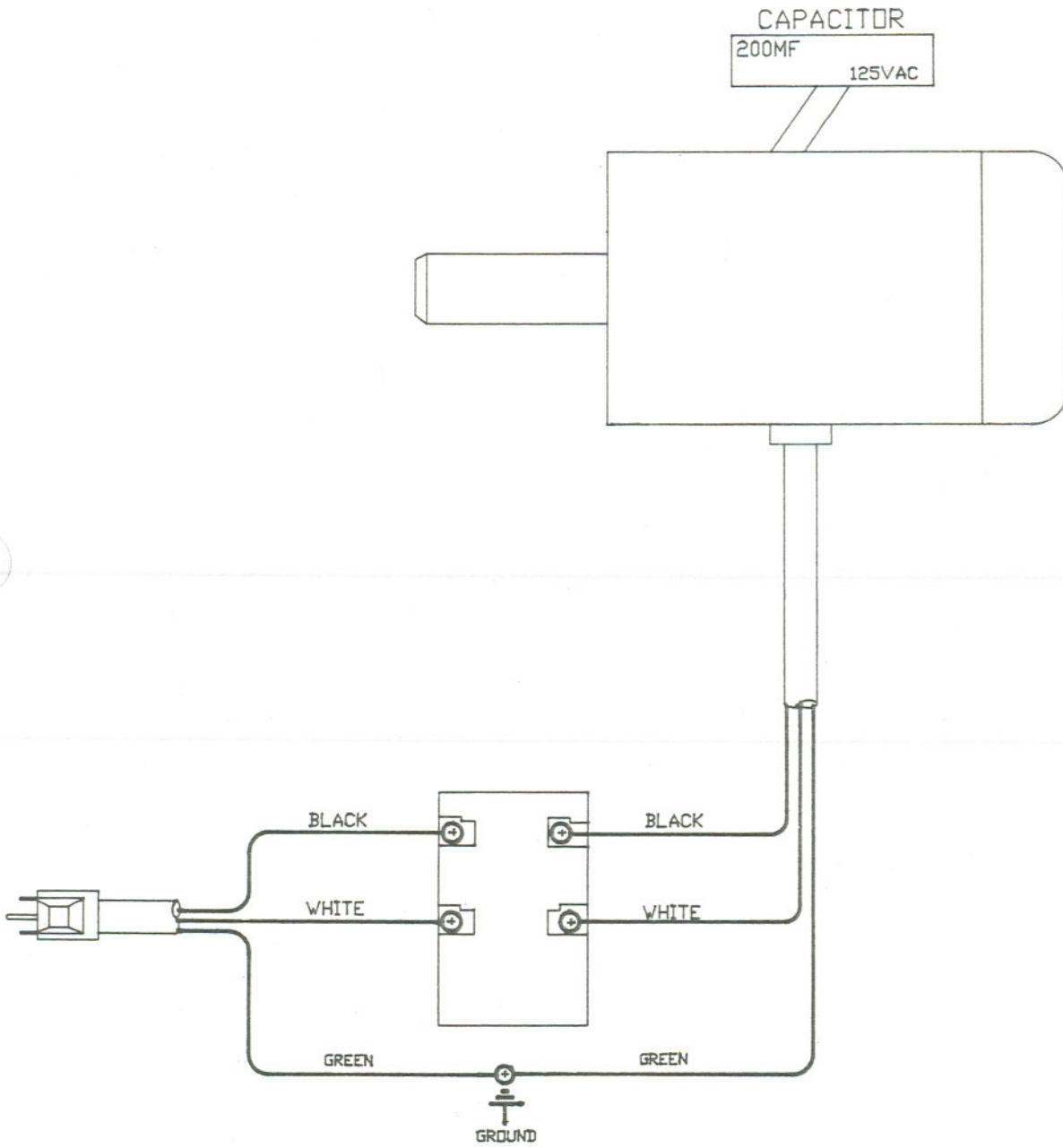


## Parts List for the JWL-1236 Woodworking Lathe

Index No.	Part No.	Description	Size	Qty.
1	JWL 1236-01W	Headstock		1
2	JWL 1236-02	Spur Center		1
3	JWL 1236-03	Face Plate		1
4	JWL 1236-04	Spindle		1
5	JWL 1236-05	Key	4x4x85	1
6	BB-6205ZZ	Ball Bearing		1
7	BB-6205ZZ	Ball Bearing		1
8	JWL 1236-08	Spring		1
9	JWL 1236-09	Shifting Lever Bracket		1
10	BB-6006Z	Ball Bearing		1
11	JWL 1236-11	C-Clip	S-25	1
12	JWL 1236-12	Spindle Pulley (right)		1
13	VB-M23	V-Belt		1
14	JWL 1236-14	Spindle Pulley (left)		1
15	JWL 1236-15	C-Clip	S-24	1
16	JWL 1236-16	Drift Rod		1
17	JWL 1236-17	Lock Nut	1/2	2
18	JWL 1236-18	Clamp (left)		1
19	TS-0011031	Hex Head Bolt	5/16x3/4	2
19-1	TS-0720081	Lock Washer	5/16	2
20	JWL 1236-20	Rack		1
21	JWL 1236-21	Speed Selector Assembly		1
21-1	JWL 1236-21-1	Pan Head Screw		2
21-2	JWL 1236-21-2	Set Screw	5/16	1
22	JWL 1236-22	Clamp (right)		1
23	JWL 1236-23	Hex Head Screw		1
24	JWL 1236-24	Headstock Lock		1
24-1	JWL 1236-24-1	Headstock Lock Handle		1
24-2	JWL 1236-24-2	Spring		1
24-3	JWL 1236-24-3	Screw		1
25	JWL 1236-25A	Index Tool		1
25-1	JWL 1236-25-1	Index Tool		1
26	JWL 1236-26	C-Clip	S-16	1
27	JWL 1236-27	Sleeve		1
28	JWL 1236-28	Spring		1
29	JWL 1236-29	Motor Pulley (right)		1
30	JWL 1236-30	Motor Pulley (left)		1
31	JWL 1236-31	Pan Head Screw	3/16x3/8	4
32	JWL 1236-32	Key	4x4x85	1
33	JWL 1236-33	Motor w/ Motor Cord		1
	JWL 1236-33A	Motor w/ Motor Cord (after serial #305000)		1
33-1	JWL 1236-33-1	Nameplate		1
34	JWL 1236-34W	Motor Cover		1
	JWL 1236-34A	Motor Cover (after serial #305000)		1
35	JWL 1236-35	Index Plunger		1
36	JWL 1236-36	Tool Rest		1
	JWL 1236-36A	Tool Rest (after serial #205000)	1"	1

37	JWL 1236-37	Handle		3
38	JWL 1236-38	Tool Rest Extension		1
	JWL 1236-38A	Tool Rest Extension (after serial #205000)		1
39	JWL 1236-39	Tool Rest Body		1
	JWL 1236-39A	Tool Rest Body (after serial #205000)	1"	1
40	JWL 1236-40	Eccentric Rod		1
41	JWL 1236-26	C-Clip	S-16	2
42	JWL 1236-42	Bolt		1
42-1	JWL 1236-42-1	Bolt		1
43	JWL 1236-43	Clamp		2
44	TS-0640141	Nut	3/4	2
45	JWL 1236-45	Live Center		1
46	JWL 1236-46	Tail Spindle		1
47	JWL 1236-47	Tailstock Screw		1
48	JWL 1236-48W	Tailstock		1
48-1	JWL 1236-48-1	C-Ring	S-16	1
48-2	JWL 1236-48-2	Set Screw		1
49	JWL 1236-49	Handwheel		1
50	JWL 1236-50	Tailstock Lock Handle		1
51	JWL 1236-51	Handle Stop		1
52	JWL 1236-52W	Bed Extension		1
53	TS-0209051	Hex Socket Cap Screw	3/8x1	2
53-1	TS-0720091	Lock Washer	3/8	2
54	JWL 1236-54W	Stand Leg (left rear)		1
54-1	JWL 1236-54-1W	Stand Leg (right front)		1
54-2	JWL 1236-54-2W	Stand Leg (left front - switch)		1
54-2A	JWL 1236-54-2AW	Stand Leg (right rear)		1
54-3	JWL 1236-54-3W	Stand Top		2
54-4	JWL 1236-54-4W	Long Brace		2
54-5	JWL 1236-54-5W	Short Brace		2
55	JWL 1236-55W	Bed		1
56	TS-0208061	Hex Socket Cap Screw	5/16 x 1 1/4"	8
57	JWL 1236-57	Switch (serial #6105922 and lower)		1
	JWL 1236-57A	Switch (serial #6115923 and higher)		1
	JWL 1236-57B	Switch Assembly CP (serial #6105922 and lower)		1
	JWL 1236-57C	Switch Assembly CP (serial #6115923 and higher)		1
57-1	JWL 1236-57-1	Switch Box		1
58	JWL 1236-58	Screw	M4x24	2
59	JWL 1236-59	Screw	3/16x3/8	2
59-1	JWL 1236-59-1	Key Washer		2
59-2	JWL 1236-59-2	Nut	3/16	2
60	TS-0152011	Carriage Bolt	5/16x1	24
61	TS-0680031	Washer	5/16	24
62	TS-0561021	Nut	5/16	24
63	JWL 1236-63	Power Cord		1
63-1	JWL 1236-63-1	Power Cord (switch to motor - serial #6105922 and lower)		1
	JWL 1236-63-1A	Power Cord (switch to motor - serial #6115923 and higher)		1
63-2	JWL 1236-63-2	Motor Cord (serial #6105922 and lower)		1
	JWL 1236-63-2A	Motor Cord (serial #6115923 and higher)		1
64	JWL 1236-64	Label		1
65	JWL 1236-65	Warning Label		1
66	JWL 1236-66	Speed Label		1
67	TS-0720081	Lock Washer	5/16	32
	JWL 1236-C	Capacitor (not shown-100MFD,125VAC)		1

# Electrical Schematic





## Free Manuals Download Website

<http://myh66.com>

<http://usermanuals.us>

<http://www.somanuals.com>

<http://www.4manuals.cc>

<http://www.manual-lib.com>

<http://www.404manual.com>

<http://www.luxmanual.com>

<http://aubethermostatmanual.com>

Golf course search by state

<http://golfingnear.com>

Email search by domain

<http://emailbydomain.com>

Auto manuals search

<http://auto.somanuals.com>

TV manuals search

<http://tv.somanuals.com>