

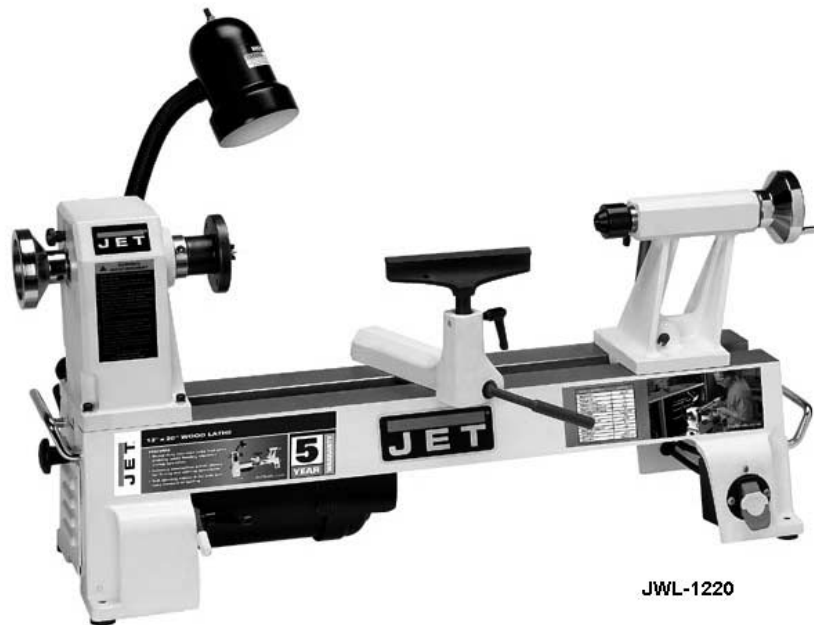


Operating Instructions and Parts Manual Mini Lathe

Models JML-1014I and JWL-1220



JML-1014I



JWL-1220

WALTER MEIER (Manufacturing) Inc.

427 New Sanford Road
LaVergne, Tennessee 37086
Ph.: 800-274-6848
www.waltermeier.com

Part No. M-708376

Revision B1 08/2010

Copyright © 2010 Walter Meier (Manufacturing) Inc.

Warranty and Service

Walter Meier (Manufacturing) Inc., warrants every product it sells. If one of our tools needs service or repair, one of our Authorized Service Centers located throughout the United States can give you quick service. In most cases, any of these Walter Meier Authorized Service Centers can authorize warranty repair, assist you in obtaining parts, or perform routine maintenance and major repair on your JET® tools. For the name of an Authorized Service Center in your area call 1-800-274-6848.

MORE INFORMATION

Walter Meier is consistently adding new products to the line. For complete, up-to-date product information, check with your local Walter Meier distributor, or visit waltermeier.com.

WARRANTY

JET products carry a limited warranty which varies in duration based upon the product (MW = Metalworking, WW = Woodworking).

90 DAY WARRANTY	1 YEAR WARRANTY	Body Repair Kits Bottle Jacks Cable Pullers Cold Saws Hoists-Air Hoists-Electric Metal forming Mill/Drills Milling Machines MW Bandsaws MW Drill Presses MW Finishing Equipment MW Lathes MW Precision Vises	2 YEAR WARRANTY	Palet Trucks Rigging Equip. Service Jacks Stackers Surface Grinders Tapping Trolleys-Air Trolleys-Electric Web Slings Winches-Electric	3 YEAR WARRANTY	WW Benchtop Tools	5 YEAR WARRANTY	Beam Clamps Chain Hoist-Manual Lever Hoists Pullers-JCH Models Scissor Lift Tables Screw Jacks Trolleys-Gearred Trolleys-Plain Winches-Manual WW Air Filtration WW Bandsaws WW Buffers	WW Drill Presses WW Dust Collectors WW Dust Filters WW Dust Fittings WW Jointers WW Lathes WW Planers WW Sanders WW Shapers WW Tablesaws	LIFE LIFETIME WARRANTY	Fastening Tools Mechanics Hand Tools Striking Tools Vises (no -precision) Clamps
Warranty reverts to 1 Year Warranty if woodworking (WW) products listed above are used for industrial or educational purposes.											

WHAT IS COVERED?

This warranty covers any defects in workmanship or materials subject to the exceptions stated below. Cutting tools, abrasives and other consumables are excluded from warranty coverage.

WHO IS COVERED?

This warranty covers only the initial purchaser of the product.

WHAT IS THE PERIOD OF COVERAGE?

The general JET warranty lasts for the time period specified in the product literature of each product.

WHAT IS NOT COVERED?

Five Year Warranties do not cover woodworking (WW) products used for commercial, industrial or educational purposes. Woodworking products with Five Year Warranties that are used for commercial, industrial or education purposes revert to a One Year Warranty. This warranty does not cover defects due directly or indirectly to misuse, abuse, negligence or accidents, normal wear-and-tear, improper repair or alterations, or lack of maintenance.

HOW TO GET SERVICE

The product or part must be returned for examination, postage prepaid, to a location designated by us. For the name of the location nearest you, please call 1-800-274-6848.

You must provide proof of initial purchase date and an explanation of the complaint must accompany the merchandise. If our inspection discloses a defect, we will repair or replace the product, or refund the purchase price, at our option. We will return the repaired product or replacement at our expense unless it is determined by us that there is no defect, or that the defect resulted from causes not within the scope of our warranty in which case we will, at your direction, dispose of or return the product. In the event you choose to have the product returned, you will be responsible for the shipping and handling costs of the return.

HOW STATE LAW APPLIES

This warranty gives you specific legal rights; you may also have other rights which vary from state to state.

LIMITATIONS ON THIS WARRANTY

WALTER MEIER (MANUFACTURING) INC., LIMITS ALL IMPLIED WARRANTIES TO THE PERIOD OF THE LIMITED WARRANTY FOR EACH PRODUCT. EXCEPT AS STATED HEREIN, ANY IMPLIED WARRANTIES OR MERCHANTABILITY AND FITNESS ARE EXCLUDED. SOME STATES DO NOT ALLOW LIMITATIONS ON HOW LONG THE IMPLIED WARRANTY LASTS, SO THE ABOVE LIMITATION MAY NOT APPLY TO YOU.

WALTER MEIER SHALL IN NO EVENT BE LIABLE FOR DEATH, INJURIES TO PERSONS OR PROPERTY, OR FOR INCIDENTAL, CONTINGENT, SPECIAL, OR CONSEQUENTIAL DAMAGES ARISING FROM THE USE OF OUR PRODUCTS. SOME STATES DO NOT ALLOW THE EXCLUSION OR LIMITATION OF INCIDENTAL OR CONSEQUENTIAL DAMAGES, SO THE ABOVE LIMITATION OR EXCLUSION MAY NOT APPLY TO YOU.

Walter Meier sells through distributors only. The specifications in Walter Meier catalogs are given as general information and are not binding. Members of Walter Meier reserve the right to effect at any time, without prior notice, those alterations to parts, fittings, and accessory equipment which they may deem necessary for any reason whatsoever. JET®-branded products are not sold in Canada by Walter Meier.

Table of Contents

Warranty and Service.....	2
Table of Contents	3
Warning	4
Specifications	6
Optional Accessories Available.....	6
Electrical Requirements	7
Unpacking.....	8
Assembly	8
Operations	9
Tailstock Movement.....	9
On/Off Switch.....	9
Work Lamp (JWL-1220 only).....	9
Adjusting the Tool Rest.....	10
Changing Spindle Speeds.....	10
Belt Replacement	11
Removing and Installing Live Center.....	11
Index Pin	12
Maintenance	12
Replacement Parts	12
JML-1014I Mini Lathe.....	13
Parts List for JML-1014I Mini Lathe	14
JWL-1220 Lathe.....	16
Parts List for JWL-1220 Lathe	17
Electrical Connections for JWL-1220.....	19

Warnings

For your own safety, read this instruction manual before operating the lathe.

Wear eye protection.

Do not wear gloves, necktie, or loose clothing.

Tighten all locks before operating.

Rotate the workpiece by hand before applying power.

Rough out the workpiece before installing on the faceplate.

Do not mount a split workpiece or one containing a knot.

Use the lowest speed when starting a new workpiece.

- **Keep guards in place** and in working order.
- **Remove adjusting keys and wrenches.** Form the habit of checking to see that keys and adjusting wrenches are removed from the tool before turning it on.
- **Keep the work area clean.** Cluttered areas and benches invite accidents.
- **Do not use in a dangerous environment.** Don't use power tools in damp or wet locations, or expose them to rain. Keep work area well lighted.
- **Keep children away.** All visitors should be kept a safe distance from the work area.
- **Make the workshop child proof** with padlocks, master switches, or by removing starter keys.
- **Don't force the tool.** It will do the job better and safer at the rate for which it was designed.
- **Wear proper apparel.** Do not wear loose clothing, gloves, neckties, rings, bracelets, or other jewelry which may get caught in moving parts. Non-slip footwear is recommended. Wear protective hair covering to contain long hair.
- **Don't overreach.** Keep proper footing and balance at all times.
- **Use the proper extension cord.** Make sure your extension cord is in good condition. When using an extension cord, be sure to use one heavy enough to carry the current your product will draw. An undersize cord will cause a drop in the line voltage resulting in loss of power and overheating. **For runs up to 25 feet, use an 18 AWG or larger gauge cord. For runs up to 50 feet, use a 16 AWG or larger gauge cord. For runs up to 100 feet, use a 14 AWG or larger gauge cord. For runs up to 150 feet, use a 12 AWG or larger gauge cord. Runs over 150 feet are not recommended.** If in doubt, use the next heavier gauge. The smaller the gauge number, the heavier the cord.
- **Always use safety glasses.** Also use face or dust masks if the cutting operation is dusty. Everyday eyeglasses only have impact resistant lenses, they are NOT safety glasses.
- **Maintain tools with care.** Keep tools sharp and clean for best and safest performance. Follow instructions for lubricating and changing accessories.
- **Reduce the risk of unintentional starting.** Make sure the switch is in the OFF position before plugging in the machine.
- **Use recommended accessories.** Consult the owner's manual for recommended accessories. The use of improper accessories may cause a risk of injury.
- **Check damaged parts.** Before further use of the tool, a guard or other part that is damaged should be carefully checked to determine that it will operate properly and perform its intended function. Check for alignment of moving parts, binding of moving parts, breakage of parts, mounting, and any other conditions that may affect its operation. A guard or other part that is damaged should be properly repaired or replaced.
- **Direction of feed.** Feed work into a blade or cutter only against the direction of rotation of the blade or cutter.

- **Give your work undivided attention.** Looking around, carrying on a conversation and “horse-play” are careless acts that can result in serious injury.
- **Some dust created** by power sanding, sawing, grinding, drilling and other construction activities contain chemicals known to cause cancer, birth defects or other reproductive harm. Some examples of these chemicals are:
 - Lead from lead based paint.
 - Crystalline silica from bricks, cement and other masonry products.
 - Arsenic and chromium from chemically treated lumber.

Your risk of exposure varies, depending on how often you do this type of work. To reduce your exposure to these chemicals, work in a well-ventilated area and work with approved safety equipment, such as face or dust masks that are specifically designed to filter out microscopic particles.

- **Do not** operate this lathe while tired or under the influence of drugs, alcohol or any medication.
- **Turn off** the tool and disconnect from power before cleaning. Use a brush or compressed air to remove chips or debris — do not use your hands.
- **Never leave the tool running unattended.** Turn the power off and do not leave the tool until it comes to a complete stop.

Specifications

Model Number.....	JML-10141	JWL-1220
Stock Number	708375	708376
Swing Over Bed (in.).....	10	12
Swing Over Tool Rest Base (in.).....	7-1/2	9-3/8
Working Distance Between Centers (in.)	14	20
Number of Speeds.....	6	6
Range of Speeds (RPM)	500, 840, 1240,	500, 840, 1240,
	1800, 2630, 3975	1800, 2630, 3975
Headstock Spindle Threads (T.P.I.).....	1 x 8	1 x 8
Headstock Spindle Taper	MT2	MT2
Tailstock Spindle Taper	MT2	MT2
Hole Through Tailstock (in.).....	3/8	3/8
Tailstock Ram Travel (in.).....	2	2
Toolrest Length (in.).....	6	6 and 10
Motor	TEFC, 1/2HP, 1Ph,	TEFC, 3/4HP, 1Ph,
	115V only, 5A, 60Hz	115V only, 4.5A, 60Hz
Overall Dimensions Assembled (LxWxH)(in.).....	24-5/8 x 7-1/4 x 14	32 x 12 x 15-1/2
Net Weight (lbs. – approx.).....	77	98
Shipping Weight (lbs. – approx.).....	82.5	105

Optional Accessories Available

Nova™ Midi Chuck (1 x 8 TPI).....	709519
Stand for JML-10141	708354
Stand for JWL-1220.....	708378
Bed Extension for JML-10141	708355
Bed Extension (28") for JWL-1220.....	708377

The above specifications were current at the time this manual was published, but because of our policy of continuous improvement, Walter Meier (Manufacturing) Inc., reserves the right to change specifications at any time and without prior notice, without incurring obligations.

Electrical Requirements

In the event of a malfunction or breakdown, grounding provides a path of least resistance for electric current to reduce the risk of electric shock. This tool is equipped with an electric cord having an equipment-grounding conductor and a grounding plug. The plug must be plugged into a matching outlet that is properly installed and grounded in accordance with all local codes and ordinances.

Do not modify the plug provided. If it will not fit the outlet, have the proper outlet installed by a qualified electrician.

Improper connection of the equipment-grounding conductor can result in a risk of electric shock. The conductor, with insulation having an outer surface that is green with or without yellow stripes, is the equipment-grounding conductor. If repair or replacement of the electric cord or plug is necessary, do not connect the equipment-grounding conductor to a live terminal.

Check with a qualified electrician or service personnel if the grounding instructions are not completely understood, or if in doubt as to whether the tool is properly grounded.

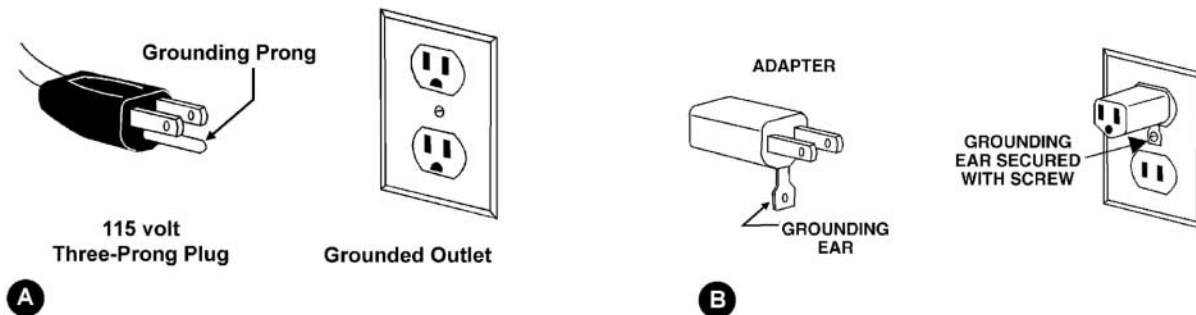
Use only three wire extension cords that have three-prong grounding plugs and three-pole receptacles that accept the tool's plug.*

Repair or replace a damaged or worn cord immediately.

This tool is intended for use on a circuit that has an outlet that looks the one illustrated in Figure A below. The tool has a grounding plug that looks like the grounding plug as illustrated in Figure A below. A temporary adapter, which looks like the adapter as illustrated in Figure B below, may be used to connect this plug to a two-pole receptacle, as shown in Figure B if a properly grounded outlet is not available.** The temporary adapter should only be used until a properly grounded outlet can be installed by a qualified electrician. The green colored rigid ear or tab, extending from the adapter, must be connected to a permanent ground such as a properly grounded outlet box.

* Canadian electrical codes require extension cords to be certified SJT type or better.

** Use of an adapter in Canada is not acceptable.



Unpacking

1. Remove contents from the shipping box.
2. Inspect contents for shipping damage and report damage, if any, to your distributor.
3. Be sure to keep the box and packing material should you need to pack the lathe for moving.
4. Do not clean the lathe with anything other than a damp cloth or a mild solvent. Use of heavy solvents, paint thinner, gasoline, etc. will damage painted surfaces.

Contents of the Shipping Carton:

JML-1014I

- 1 – Lathe
- 1 – 6" Tool rest
- 1 – Face plate
- 1 – Drift rod
- 1 – Live center
- 1 – Spur center
- 1 – Safety goggles
- 1 – Owner's manual
- 1 – Warranty card
- 1 – 3mm hex wrench
- 1 – 5mm hex wrench

JWL-1220

- 1 – Lathe
- 2 – Tool rests (6", 10")
- 1 – Face plate
- 1 – Drift rod
- 1 – Live center
- 1 – Spur center
- 1 – Safety goggles
- 1 – Tool caddy
- 1 – Work lamp (*bulb not included*)
- 1 – Owner's manual
- 1 – Warranty card
- 1 – 3mm hex wrench
- 1 – 5mm hex wrench

Assembly

The **JML-1014I** is fully assembled and comes ready to use right out of the box. However, it is a good practice to thoroughly check the machine for loose fasteners, handles, etc. before use.

The **JWL-1220** requires minor assembly: Install the tool caddy using the two pan head screws, as shown in Figure 1. The JWL-1220 is provided with a lifting handle on each end. These can be pushed in when not in use.

If desired, the lathe can be bolted to a work table or stand by removing the rubber feet and inserting screws through the holes in the base.

IMPORTANT: The table or stand should have an opening directly beneath the motor to prevent build-up of shavings around the motor's fan housing.

A stand specifically made for the lathe is available from Walter Meier (Manufacturing) Inc. See stock numbers on page 6 for ordering.

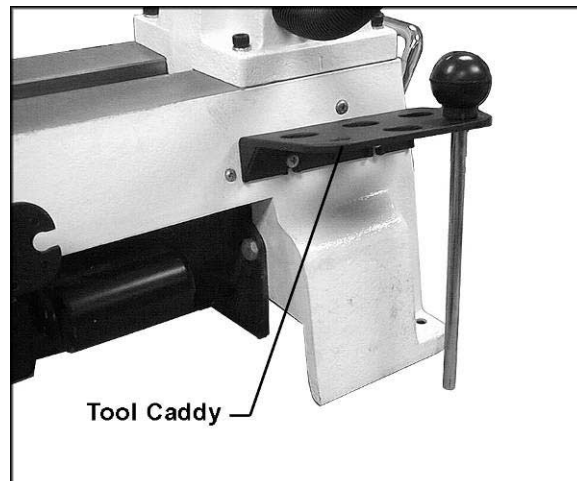


Figure 1 – Model JWL-1220 only

Operations

Tailstock Movement

Tailstock Handwheel (A, Figure 2) – Turn clockwise to move tailstock spindle forward. Turn counterclockwise to retract tailstock spindle.

Tailstock Spindle Lock (B, Figure 2) – Locks tailstock spindle. Release to adjust with handwheel.

Tailstock Lock (C, Figure 2) – Locks tailstock in position on the bed. Release to move the tailstock assembly closer to or farther from the headstock.

The tailstock spindle is hollow. This can be useful for inserting a long bit to drill a hole in the center of a workpiece on the face plate.

The clamping device on the tailstock has been factory adjusted; however, if further adjustment should be needed, slide the tailstock off the end of the bed, and tighten or loosen the nut (D, Figure 3) beneath the tailstock.

On/Off Switch

The switch, shown in Figure 4, has a safety feature to prevent unauthorized use; pull out the upper piece of the switch and store in a safe place. The piece must be re-inserted to operate the lathe.

Work Lamp (JWL-1220 only)

The 20" lathe is provided with a flexible work lamp which uses a 40-watt bulb (not provided). **Position the work lamp so that wood chips do not accumulate inside the lamp shade and pose a fire hazard.**

CAUTION Use only a 40-watt or smaller bulb in the work lamp.

Spur Center (Figure 5) – Slides into headstock and holds the workpiece during spindle turning.

WARNING Thoroughly clean the taper on the spur center and the inside of the headstock spindle before mounting the spur center. Failure to do so may result in separation of the two and possible injury or tool damage.

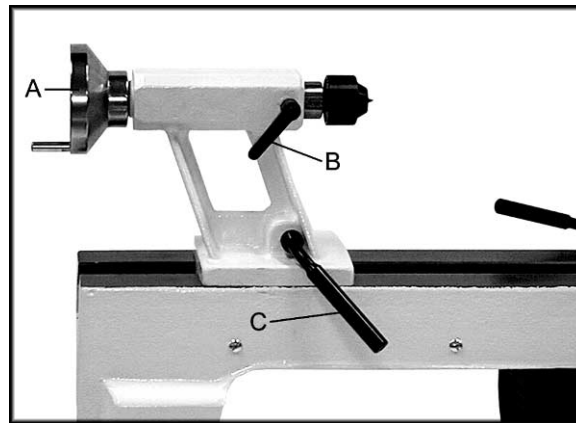


Figure 2

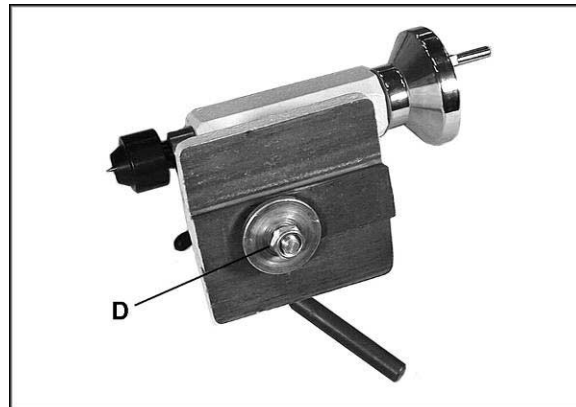


Figure 3

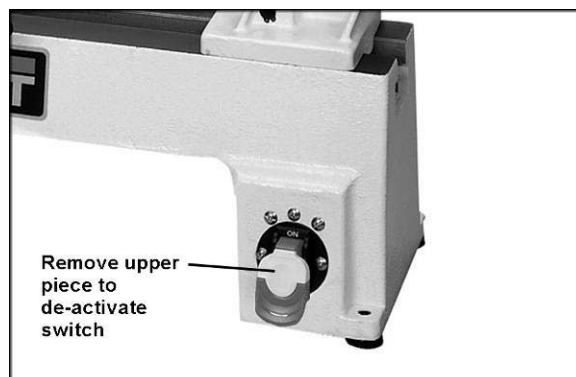


Figure 4

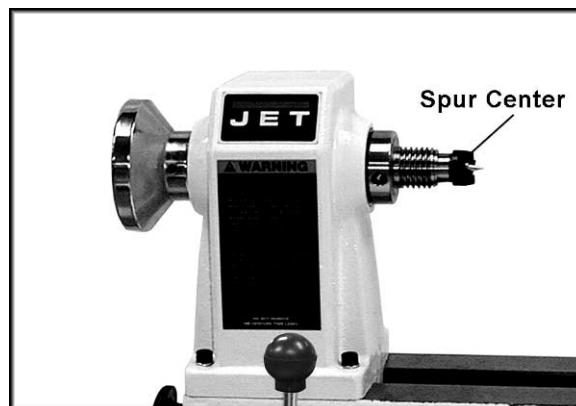


Figure 5

Face Plate (Figure 6) – Screws on to the headstock and is used in face plate turning operations. Mount your workpiece onto the faceplate with brass screws (not provided). Make sure the screws are not so long that they will enter the area of the workpiece where the material is to be removed.

To remove the face plate from the spindle, place the drift rod into hole (A, Figure 6) and let the drift rod contact the bed of the lathe for leverage. Then unscrew the face plate.

Drift Rod (Figure 7) – Slides into the headstock to tap the spur center free. Stored in the hole in the base below the headstock (JML-1014I) or in the tool caddy (JWL-1220).

NOTE: Always hold on to the spur center while tapping it free, to prevent it from falling.

Tool Rest (Figure 8) – Attaches to the bed. Used to steady the cutting tool during spindle turning or face plate operations.

Adjusting the Tool Rest

Position the tool rest (Figure 8) as close to the workpiece as possible. It should be 1/8" above the centerline of the workpiece.

Position the tool rest base on the bed by releasing the locking rod (A, Figure 8) and sliding base to the desired position. Tighten locking rod to fix the position of the tool rest base.

Adjust the height of the tool rest by loosening the handle (B, Figure 8) and raising or lowering tool rest.

Should adjustment of the tool rest clamping device become necessary, turn off the machine, reach under the bed, and adjust the clamping nut.

NOTE: The lock handles (B, Figure 2 and B, Figure 8 for example) are adjustable. Simply pull up on the handle, rotate it on the pin, and then release. Make sure the handle seats itself properly upon the pin.

Changing Spindle Speeds

1. Disconnect the machine from the power source (unplug).
2. Open the access doors at the left side of the base (A, Figure 9) and at the back side of the headstock (B, Figure 10).
3. Loosen the motor plate lock handle (C, Figure 11). Lift up the motor plate handle (D, Figure 11) to take tension off the belt.

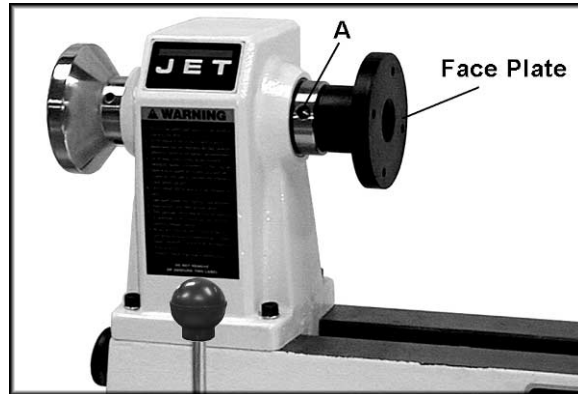


Figure 6

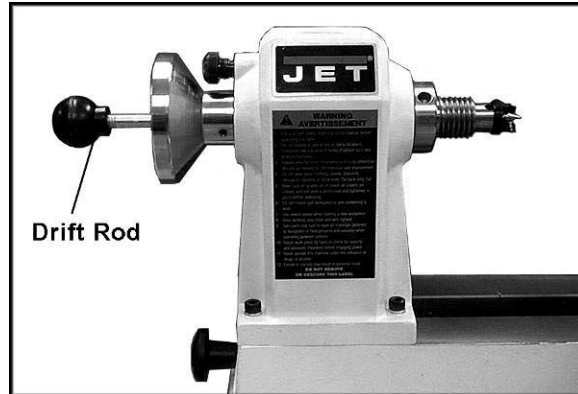


Figure 7

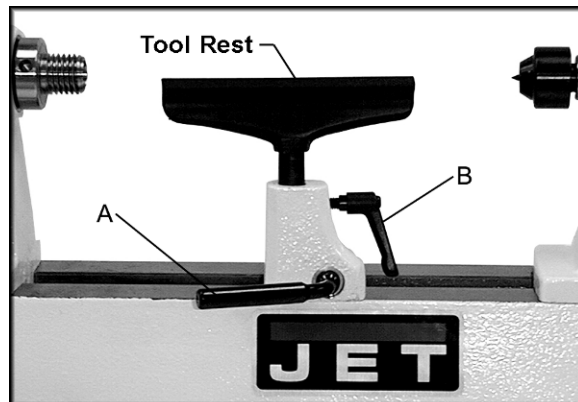


Figure 8

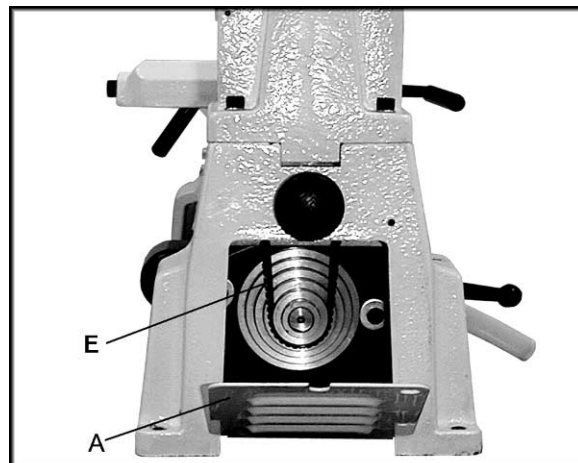


Figure 9

4. Move the belt (E, Figure 9) to the desired pulley groove according to the speed chart found on the inside of the headstock access door. Be sure the belt is aligned with spindle pulley and motor pulley.
5. Tension the belt by pushing down on the motor plate handle (D, Figure 11) and re-tighten lock handle (C, Figure 11)

Belt Replacement

1. Disconnect the machine from the power source (unplug).
2. Open the access doors at the left side of the base (A, Figure 9) and at the back side of the headstock (B, Figure 10).
3. Loosen the motor plate lock handle (C, Figure 11). Lift up the motor plate handle (D, Figure 11) to take tension off the belt.
4. Loosen the set screw (F, Figure 10) on the spindle, or upper, pulley.
5. Loosen the two set screws in handwheel (G, Figure 10). Unscrew the handwheel while holding the spindle stationary.
6. Remove handwheel and pull the spindle out while holding onto the spindle pulley.
7. Place the new belt on the spindle pulley. Place the spindle pulley back into the headstock the same way it was removed.
8. Insert the spindle into the spindle pulley aligning the key.
9. Thread the handwheel onto the spindle leaving a little space between the handwheel and headstock. Tighten set screws (G, Figure 10).
10. Center the spindle pulley and tighten set screw (F, Figure 10).
11. Wrap the belt around the motor (lower) pulley. Be sure the belt is aligned with spindle pulley and motor pulley.
12. Tension the belt and tighten the motor plate lock handle (C, Figure 11).

Removing and Installing Live Center

1. Loosen tailstock lock handle (B, Figure 12).
2. Turn the tailstock handwheel (A, Figure 12) counterclockwise until the live center (C, Figure 12) ejects from the spindle. NOTE: Do not allow the live center to fall.
3. Before installing the live center into the spindle, the spindle must be extended out from the tailstock body far enough to allow the live center to "seat" in the spindle.

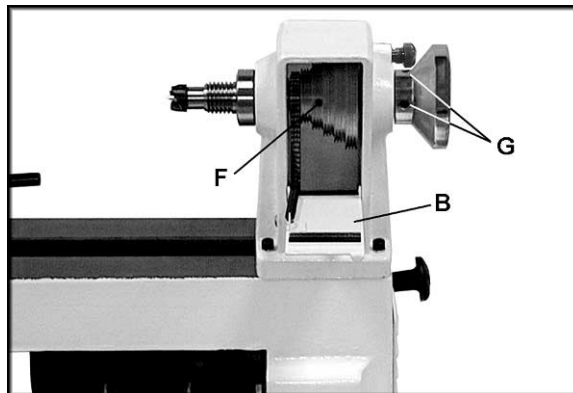


Figure 10

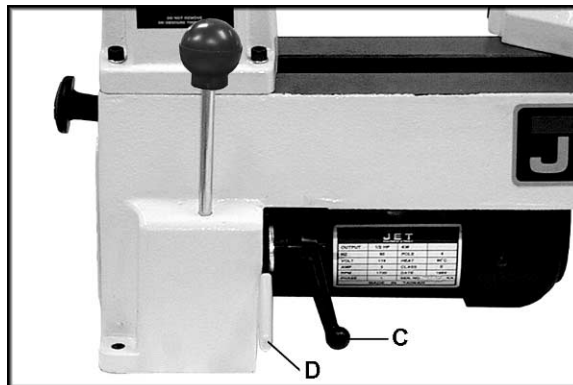


Figure 11

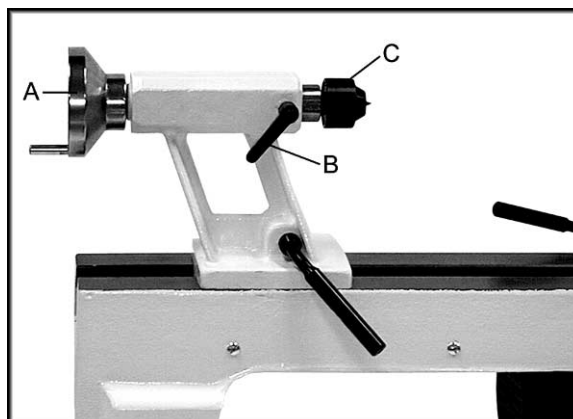


Figure 12

Index Pin

The index feature allows you to cut evenly spaced features in a workpiece while keeping the Lathe headstock spindle locked; for example, when cutting flutes on a spindle blank with a router, while the spindle blank is secured within the Lathe centers. There are 24 index positions on the lathe.

1. To use the index pin (Figure 13), screw it farther into the headstock until it engages a hole in the spindle pulley.
2. Make your first flute cutting.
3. Unscrew the index pin just enough so that it frees the spindle. Carefully rotate the spindle to the next index position. (If you push inward on the index pin while rotating the spindle, you can feel when it tries to enter the next index position.)
4. Screw in the index pin completely and perform the second flute cutting.

NOTE: Back out the index pin completely to free the spindle before turning on the lathe.

Maintenance

Disconnect machine from power source before performing any maintenance.

Blow out dust and accumulation inside the motor, the housing and the bed assembly frequently. If the tailstock has been used as a guide for drilling through the center of a workpiece, also blow sawdust or shavings out of the center of both spindles.

A coat of paste wax applied to the bed will help keep the surface clean and maintain smooth movement of the tool rest and tailstock.

Replacement Parts

Replacement parts are listed on the following pages. To order parts or reach our service department, call 1-800-274-6848 Monday through Friday (see our website for business hours, www.waltermeier.com). Having the Model Number and Serial Number of your machine available when you call will allow us to serve you quickly and accurately.

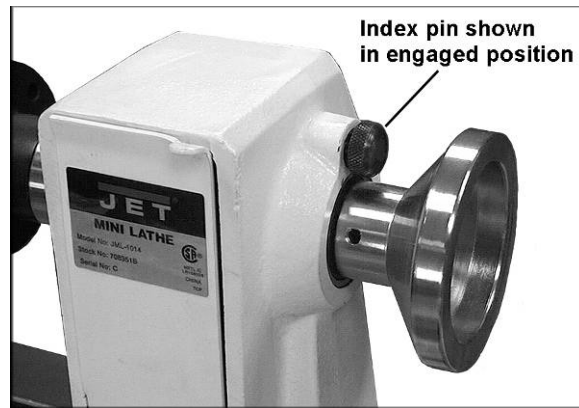
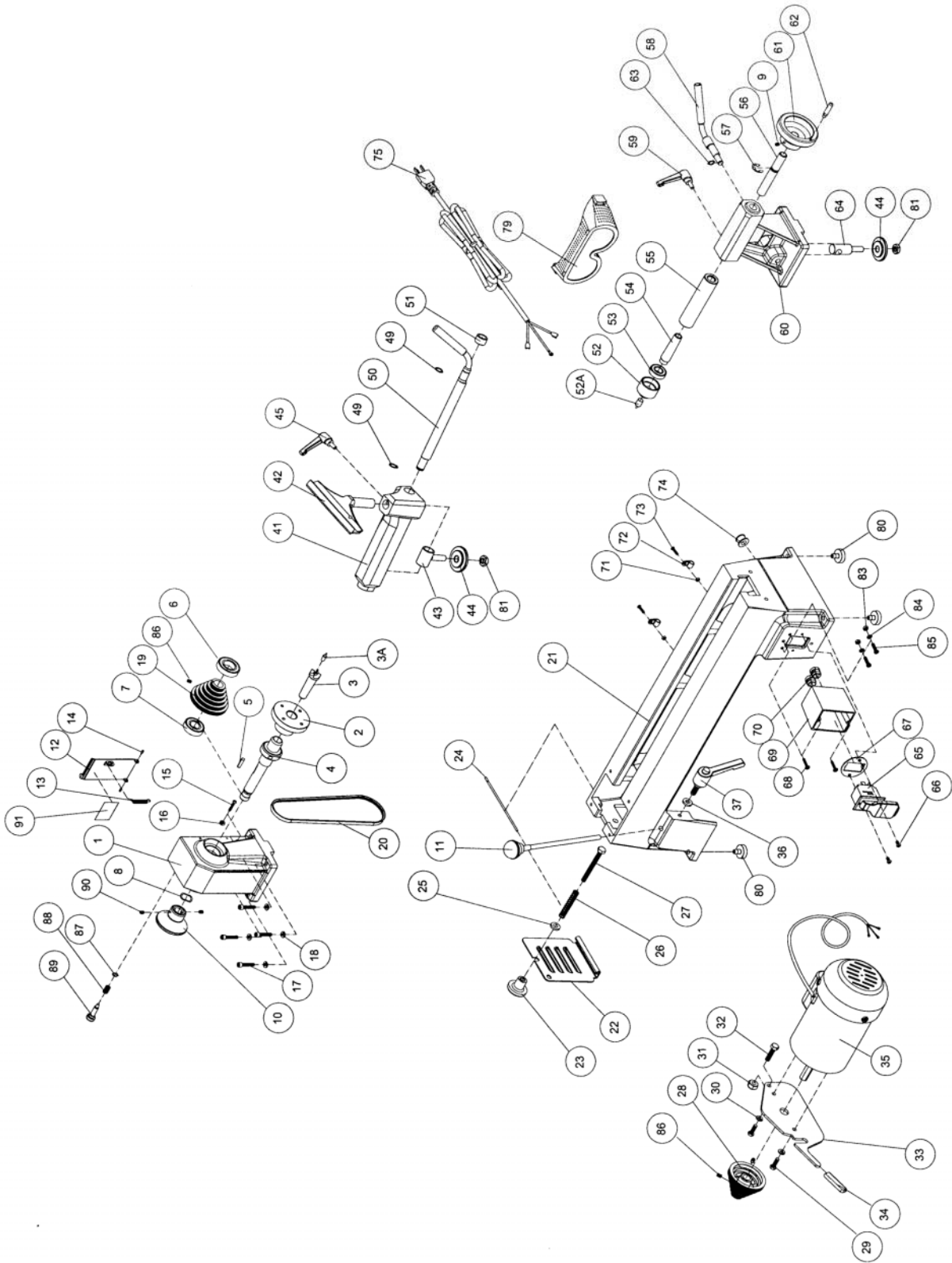


Figure 13

JML-1014| Mini Lathe

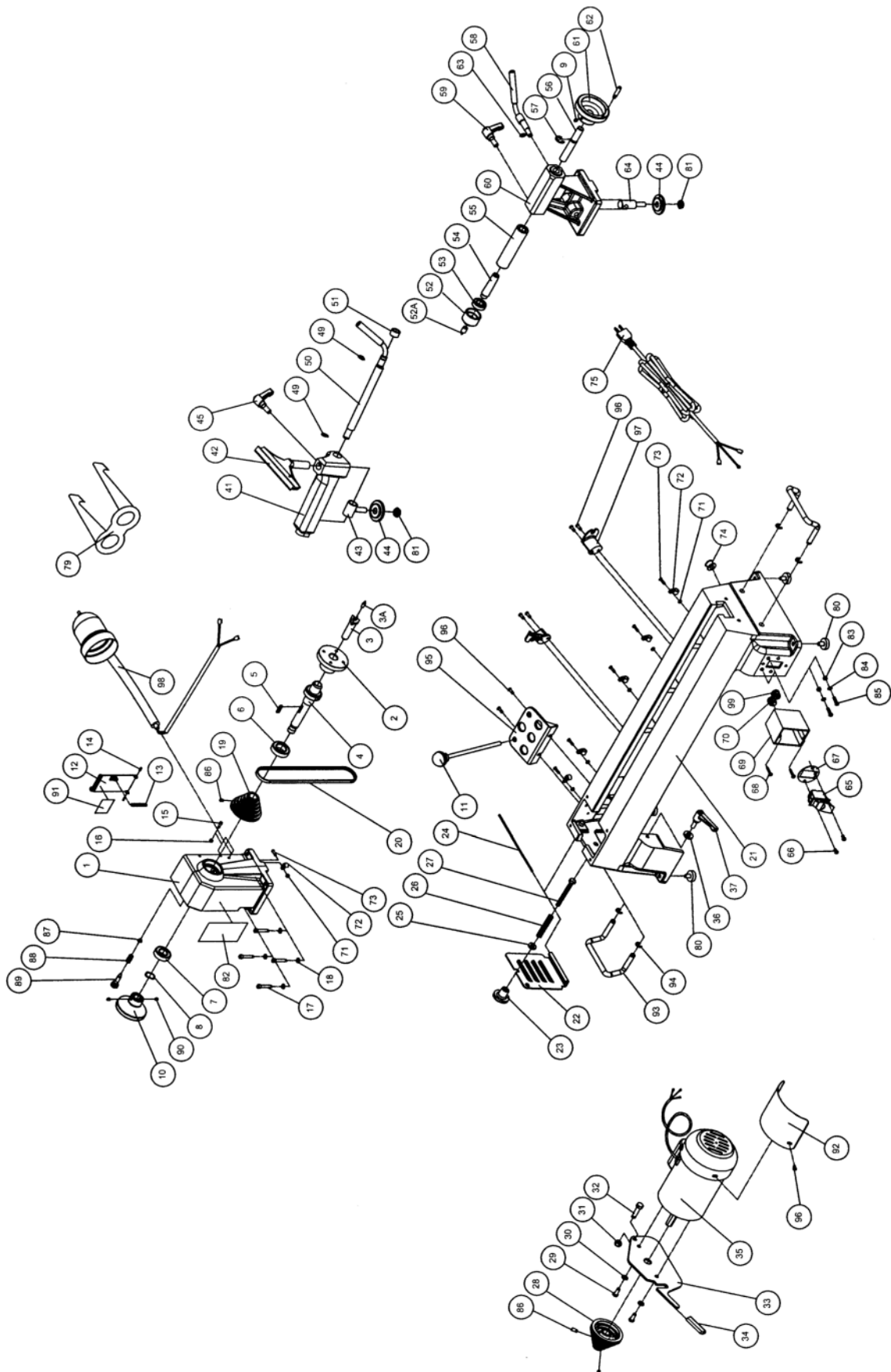


Parts List for JML-1014| Mini Lathe

Index No.	Part No.	Description	Size	Qty
1	JML1014-101	Headstock		1
2	JML-2	Faceplate	3"	1
3	JML-3	Spur Center	MT2	1
3A	JML-3A	Center Point for Spur Center		1
4	JML-4	Spindle	1" x 8 TPI	1
5	JML-5	Key	5x25mm	1
6	BB-6005VV	Ball Bearing	6005VV	1
7	BB-6004VV	Ball Bearing	6004VV	1
8	JML-8	Wave Washer		1
9	TS-0267041	Socket Set Screw	1/4"-20x3/8"	2
10	JML1014-110	Hand Wheel		1
11	JML-11	Drift Rod		1
12	JML-12W	White Spindle Pulley Door		1
13	JML-13	Spring		1
14	JML-14	Roll Pin	Ø3 x 10mm	2
15	TS-081C042	Pan Head Screw	#10-24x5/8"	2
16	TS-0560071	Hex Nut	#10	1
17	TS-0207071	Socket Head Cap Screw	1/4"-20x1-1/4"	4
18	TS-0720071	Lock Washer	1/4"	4
19	JML1014-119	Spindle Pulley		1
20	JML-20	V-Belt		1
21	JML-21N	White Bed		1
22	JML-22W	White Motor Pulley Door		1
23	JML-23	Lock Knob	M8	1
24	JML-24	Pin		1
25	TS-1550061	Flat Washer	M8	1
26	JML-26	Spring		1
27	JML-27	Hex Cap Screw	M8x75	1
28	JML-28	Motor Pulley		1
29	TS-0050021	Hex Cap Screw	1/4"-20x5/8"	2
30	TS-0720071	Lock Washer	1/4"	2
31	TS-0640081	Nylon Insert Lock Nut	5/16"-18	1
32	TS-0051061	Hex Cap Screw	5/16"-18x1-1/4"	1
33	JML-33	Motor Bracket		1
34	JML-34W	White Handle Protector		1
35	JML-35	Motor	1/2HP, 1Ph, 115V	1
	JML-35-1	Capacitor (not shown)		1
	JML-35-2	Capacitor Cover (not shown)		1
	JML-35-3	Motor Fan Cover (not shown)		1
36	TS-0680031	Flat Washer	5/16"	1
37	JML-37A	Lock Handle Assembly, Motor Plate		1
41	JML-41W	White Tool Rest Body		1
42	JML-42	Tool Rest	6"	1
43	JML-43	Bolt		1
44	JML-44	Clamp		2
45	JML-45A	Lock Handle Assembly, Tool Rest Body		1
49	JML-49	C-Ring	STW-12	2
50	JML-50	Eccentric Locking Rod		1
51	JML-51	Bushing		1
52	JML-52	Live Center Head		1
52A	JML-52A	Center Point for Live Center		1
53	BB-6002ZZ	Ball Bearing	6002ZZ	1
54	JML-54	Live Center Shaft		1
	708331	Live Center Assembly (not shown)		1
55	JML-55	Tailstock Spindle		1
56	JML-56	Leadscrew		1
57	JML-57	E-Ring	ETW-12	1

58	JML-58	Eccentric Locking Rod		1
59	JML-59A	Lock Handle Assembly, Tailstock		1
60	JML-60W	White Tailstock		1
61	JML-61	Hand Wheel		1
62	JML-62	Handle		1
63	JML-63	C-Ring		1
64	JML-64	Bolt		1
65	JML-65	On-Off Switch		1
	JML-65A	On-Off Switch Key (not shown)		1
66	TS-081C022	Pan Head Screw	#10-24x3/8"	3
67	JML-67	Switch Bracket		1
68	JML-68	Tapping Screw		2
69	JML-69	Switch Box		1
70	JML-70	Strain Relief Bushing		2
71	TS-0560071	Hex Nut	#10	2
72	JML-72	Cord Clamp		2
73	TS-081C062	Pan Head Screw	#10-24x1"	2
74	JML-74	Cord Protector		1
75	JML-75	Power Cord		1
79	JML-79	Safety Goggles		1
80	JML-80	Rubber Foot		4
81	JML-81	Clamp Nut		2
82	JML-82	Warning Label (not shown)		1
83	TS-1540031	Hex Nut	M5	2
84	JML-84	Star Washer	M5	2
85	TS-1533062	Pan Head Screw	M5x20	2
86	TS-1523031	Socket Set Screw	M6x10	3
87	JML1014-187	C-Ring	STW-9	1
88	JML1014-188	Spring		1
89	JML1014-189	Index Pin		1
90	TS-0267021	Socket Set Screw	1/4"-20x1/4"	2
91	JML1014-191	Speed Label		1

JWL-1220 Lathe

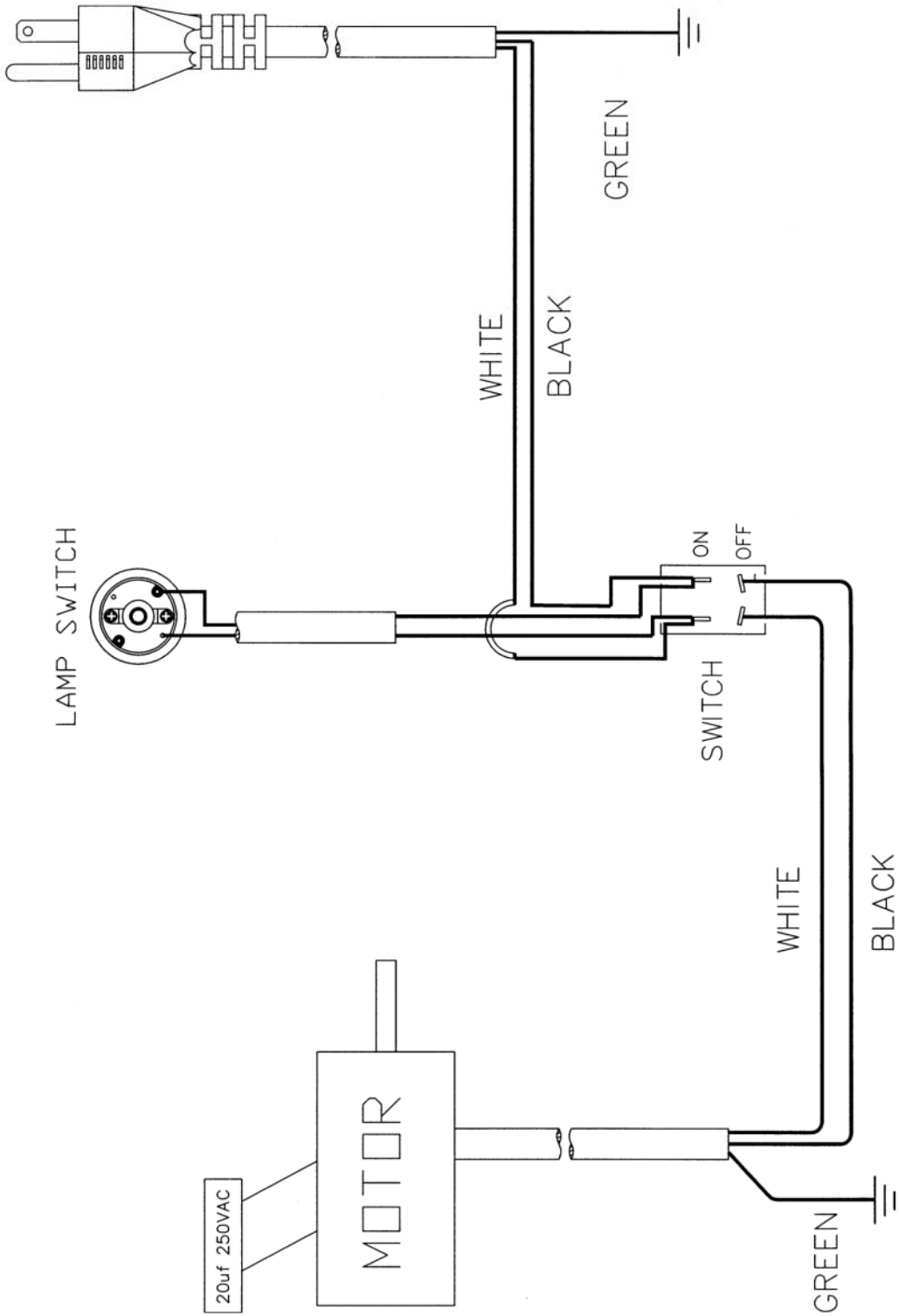


Parts List for JWL-1220 Lathe

Index No.	Part No.	Description	Size	Qty
1	JWL1220-101	Headstock		1
2	JML-2	Faceplate	3"	1
3	JML-3	Spur Center	MT2	1
3A	JML-3A	Center Point for Spur Center		1
4	JML-4	Spindle	1" x 8 TPI	1
5	JML-5	Key	5x25mm	1
6	BB-6005VV	Ball Bearing	6005VV	1
7	BB-6004VV	Ball Bearing	6004VV	1
8	JML-8	Wave Washer		1
9	TS-0267041	Socket Set Screw	1/4"-20x3/8"	2
10	JML1014-110	Hand Wheel		1
11	JML-11	Drift Rod		1
12	JML-12W	Spindle Pulley Door		1
13	JML-13	Spring		1
14	JML-14	Roll Pin	Ø3 x 10mm	2
15	TS-081C042	Pan Head Screw	#10-24x5/8"	1
16	TS-0560071	Hex Nut	#10-24	1
17	TS-0207071	Socket Head Cap Screw	1/4"-20x1-1/4"	4
18	TS-0720071	Lock Washer	1/4"	4
19	JML1014-119	Spindle Pulley		1
20	JWL1220-120	V-Belt	260J	1
21	JWL1220-121	Bed		1
22	JML-22W	Motor Pulley Door		1
23	JML-23	Lock Knob	M8	1
24	JWL1220-124	Pin		1
25	TS-1550061	Flat Washer	M8	1
26	JML-26	Spring		1
27	JML-27	Hex Cap Screw	M8x75	1
28	JML-28	Motor Pulley		1
29	TS-0050021	Hex Cap Screw	1/4"-20x5/8"	2
30	TS-0720071	Lock Washer	1/4"	2
31	TS-0640081	Nylon Insert Lock Nut	5/16"-18	1
32	TS-0051061	Hex Cap Screw	5/16"-18x1-1/4"	1
33	JWL1220-133	Motor Bracket		1
34	JWL1220-134	White Handle Protector		1
35	JWL1220-135	Motor	3/4HP, 1Ph, 115V	1
	JWL1220-135C	Capacitor (not shown)	20uf, 250VAC	1
	JWL1220-135CC	Capacitor Cover (not shown)		1
	JWL1220-135MFC	Motor Fan Cover (not shown)		1
36	TS-0680031	Flat Washer	5/16"	1
37	JML-37A	Lock Handle Assembly, Motor Plate		1
41	JWL1220-141	Tool Rest Body		1
42	JWL1220-142	Tool Rest	6"	1
	JWL1220-142A	Tool Rest	10"	1
43	JML-43	Bolt		1
44	JML-44	Clamp		2
45	JML-45A	Lock Handle Assembly, Tool Rest Body		1
49	JML-49	C-Ring	STW-12	2
50	JWL1220-150	Eccentric Locking Rod		1
51	JML-51	Bushing		1
52	JML-52	Live Center Head		1
52A	JML-52A	Center Point for Live Center		1
53	BB-6002ZZ	Ball Bearing	6002ZZ	1
54	JML-54	Live Center Shaft		1
	708331	Live Center Assembly (not shown)		1

55	JML-55	Tailstock Spindle		1
56	JML-56	Leadscrew		1
57	JML-57	E-Ring	ETW-12	1
58	JML-58	Eccentric Locking Rod		1
59	JML-59A	Lock Handle Assembly, Tailstock		1
60	JWL1220-160	Tailstock		1
61	JML-61	Hand Wheel		1
62	JML-62	Handle		1
63	JML-63	C-Ring	STW-10	1
64	JML-64	Bolt		1
65	JML-65	On-Off Switch		1
	JML-65A	On-Off Switch Key (not shown)		1
66	TS-081C022	Pan Head Screw	#10-24x3/8"	2
67	JML-67	Switch Bracket		1
68	JML-68	Tapping Screw	M4x25	2
69	JWL1220-169	Switch Box		1
70	JML-70	Strain Relief Bushing	6N3-4	2
71	TS-1540021	Hex Nut	M4	4
72	JWL1220-172	Cord Clamp		4
73	TS-1532052	Pan Head Screw	M4x16	4
74	JML-74	Cord Protector		1
75	JWL1220-175	Power Cord		1
79	JML-79	Safety Goggles		1
80	JML-80	Rubber Foot		4
81	JML-81	Clamp Nut		2
82	JML-82	Warning Label		1
83	TS-1540031	Hex Nut	M5	2
84	JML-84	Star Washer	M5	2
85	TS-1533062	Pan Head Screw	M5x20	2
86	TS-1523031	Socket Set Screw	M6x10	3
87	JML1014-187	C-Ring	STW-9	1
88	JML1014-188	Spring		1
89	JML1014-189	Index Pin		1
90	TS-0267021	Socket Set Screw	1/4"-20x1/4"	2
91	JML1014-191	Speed Label		1
92	JWL1220-192	Motor Dust Cover		1
93	JWL1220-193	Lift Handle		2
94	JWL1220-194	C-Ring	STW-10	4
95	JWL1220-195	Tool Shelf		1
96	TS-081C032	Pan Head Screw	#10-24x1/2"	9
97	JWL1220-197	Cord Wrap Bracket		2
98	JWL1220-198	Work Lamp		1
99	JWL1220-199	Strain Relief Bushing	SB7R-3	2

Electrical Connections for JWL-1220





WALTER MEIER (Manufacturing) Inc.

427 New Sanford Road
LaVergne, Tennessee 37086
Phone: 800-274-6848
www.waltermeier.com

Free Manuals Download Website

<http://myh66.com>

<http://usermanuals.us>

<http://www.somanuals.com>

<http://www.4manuals.cc>

<http://www.manual-lib.com>

<http://www.404manual.com>

<http://www.luxmanual.com>

<http://aubethermostatmanual.com>

Golf course search by state

<http://golfingnear.com>

Email search by domain

<http://emailbydomain.com>

Auto manuals search

<http://auto.somanuals.com>

TV manuals search

<http://tv.somanuals.com>