



# OWNER'S MANUAL

## DC-650A Dust Collector



### WMH TOOL GROUP

Consumer/Light Industrial Products Division  
P.O. BOX 1349  
Auburn, WA 98071-1349  
Ph: 1-800-274-6848 • Fax: 1-800-274-6840  
E-mail: [jet@wmhtoolgroup.com](mailto:jet@wmhtoolgroup.com)  
[www.wmhtoolgroup.com](http://www.wmhtoolgroup.com)

**M-708640 2/03**  
Copyright © WMH Tool Group

This manual has been prepared for the owner and operators of JET'S DC-650A. Its purpose, aside from machine operation, is to promote safety through the use of accepted correct operating and maintenance procedures. Completely read the safety and maintenance instructions before operating or servicing the machine. To obtain maximum life and efficiency from your Dust Collector, and to aid in using the machine safely, read this manual thoroughly and follow instructions carefully.

## **Warranty & Service**

The WMH Tool Group warrants every product it sells. If one of our tools needs service or repair, one of our Authorized Repair Stations located throughout the United States can give you quick service.

In most cases, any one of these WMH Tool Group Repair Stations can authorize warranty repair, assist you in obtaining parts, or perform routine maintenance and major repair on your JET, Performax or Powermatic tools.

For the name of an Authorized Repair Station in your area, please call 1-800-274-6848, or [www.jettools.com](http://www.jettools.com).

## **More Information**

Remember, the WMH Tool Group is consistently adding new products to the line. For complete, up-to-date product information, check with your local WMH Tool Group distributor, or [www.jettools.com](http://www.jettools.com).

## **WMH Tool Group Warranty**

The WMH Tool Group (including Performax and Powermatic brands) makes every effort to assure that its products meet high quality and durability standards and warrants to the original retail consumer/purchaser of our products that each product be free from defects in materials and workmanship as follow: 1 YEAR LIMITED WARRANTY ON ALL PRODUCTS UNLESS SPECIFIED OTHERWISE. This Warranty does not apply to defects due directly or indirectly to misuse, abuse, negligence or accidents, normal wear-and-tear, repair or alterations outside our facilities, or to a lack of maintenance.

THE WMH TOOL GROUP LIMITS ALL IMPLIED WARRANTIES TO THE PERIOD SPECIFIED ABOVE, FROM THE DATE THE PRODUCT WAS PURCHASED AT RETAIL. EXCEPT AS STATED HEREIN, ANY IMPLIED WARRANTIES OR MERCHANTABILITY AND FITNESS ARE EXCLUDED. SOME STATES DO NOT ALLOW LIMITATIONS ON HOW LONG THE IMPLIED WARRANTY LASTS, SO THE ABOVE LIMITATION MAY NOT APPLY TO YOU. THE WMH TOOL GROUP SHALL IN NO EVENT BE LIABLE FOR DEATH, INJURIES TO PERSONS OR PROPERTY, OR FOR INCIDENTAL, CONTINGENT, SPECIAL, OR CONSEQUENTIAL DAMAGES ARISING FROM THE USE OF OUR PRODUCTS. SOME STATES DO NOT ALLOW THE EXCLUSION OR LIMITATION OF INCIDENTAL OR CONSEQUENTIAL DAMAGES, SO THE ABOVE LIMITATION OR EXCLUSION MAY NOT APPLY TO YOU.

To take advantage of this warranty, the product or part must be returned for examination, postage prepaid, to an Authorized Repair Station designated by our office. Proof of purchase date and an explanation of the complaint must accompany the merchandise. If our inspection discloses a defect, we will either repair or replace the product, or refund the purchase price if we cannot readily and quickly provide a repair or replacement, if you are willing to accept a refund. We will return repaired product or replacement at JET'S expense, but if it is determined there is no defect, or that the defect resulted from causes not within the scope of JET'S warranty, then the user must bear the cost of storing and returning the product. This warranty gives you specific legal rights; you may also have other rights which vary from state to state.

The WMH Tool Group sells through distributors only. Members of the WMH Tool Group reserve the right to effect at any time, without prior notice, those alterations to parts, fittings, and accessory equipment which they may deem necessary for any reason whatsoever.

## **WARNING**

1. **Read and understand the entire contents of this manual before attempting assembly or operation. Do not use this machine until proper training and knowledge has been obtained.**
2. Do not leave Dust Collector when plugged in. Unplug from outlet when not in use and before servicing.
3. Do not use outdoors or on wet surfaces.
4. Do not allow to be used as a toy. Close attention is necessary when used near children.
5. Use only as described in this manual. Use only manufacturer's recommended attachments.
6. Do not use with damaged cord or plug. If Dust Collector is not working as it should, has been dropped, damaged, left outdoor, or dropped in water, return it to a service center.
7. Do not pull or carry by cord, use cord as a handle, close a door on cord, or pull cord around sharp edges or corners. Do not run Dust Collector over cord. Keep cord away from heated surfaces.
8. Do not unplug by pulling on cord. To unplug, grasp the plug, not the cord.
9. Do not handle plug or Dust Collector with wet hands.
10. Do not put any objects into the openings. Do not use with any opening blocked; keep free of dust, lint, hair, and anything that may reduce air flow.
11. Keep hair, loose clothing, fingers, and all parts of body away from opening and moving parts.
12. Do not pick up anything that is burning or smoking, such as cigarettes, matches, or hot ashes.
13. Do not use without dust bag and/or filter bag in place.
14. Turn off all controls before unplugging.
15. Do not use to pick up flammable or combustible liquids such as gasoline or use in areas where they may be present.
16. Do not operate without hose connected to the inlet port. Hazardous moving parts inside. Unplug machine before removing hose.
17. Some dust created by power sanding, sawing, grinding, drilling and other construction activities contains chemicals known to cause cancer, birth defects or other reproductive harm. Some examples of these chemicals are:
  - Lead from lead based paint
  - Crystalline silica from bricks and cement and other masonry products, and
  - Arsenic and chromium from chemically-treated lumber.
19. Your risk from those exposures varies, depending on how often you do this type of work. To reduce your exposure to these chemicals: work in a well ventilated area, and work with approved safety equipment, such as those dust masks that are specifically designed to filter out microscopic particles
20. Do not operate tool while under the influence of drugs, alcohol or any medication.
21. Make sure the extension cord is in good condition. When using an extension cord, be sure to use one heavy enough to carry the current your product will draw. An undersize cord will cause a drop in the line voltage resulting in loss of power and overheating. The table below shows the correct size to use depending on cord length and nameplate ampere rating. If in doubt, use the next heavier gauge. The smaller gauge number, the heavier the cord.
22. Do not use dust collector for anything except wood dust. Materials such as liquids, metal shavings, metal dust, screws, glass, plastic or rock can cause sparks and/or damage when coming into contact with any part of the dust collector.
23. Ground your dust collector along all plastic components. The connection of bare 12 gauge copper wire on all plastic hoses, fittings and blast gates to all machines will help reduce the occurrence of static build up and discharge.

**SAVE THESE INSTRUCTIONS**

## Grounding Instructions

**Caution:** This tool must be grounded while in use to protect the operator from electric shock.

In the event of a malfunction or breakdown, grounding provides a path of least resistance for electric current to reduce the risk of electric shock. This tool is equipped with an electric cord having an equipment-grounding conductor and a grounding plug. The plug must be plugged into a matching outlet that is properly installed and grounded in accordance with all local codes and ordinances.

Do not modify the plug provided. If it will not fit the outlet, have the proper outlet installed by a qualified electrician.

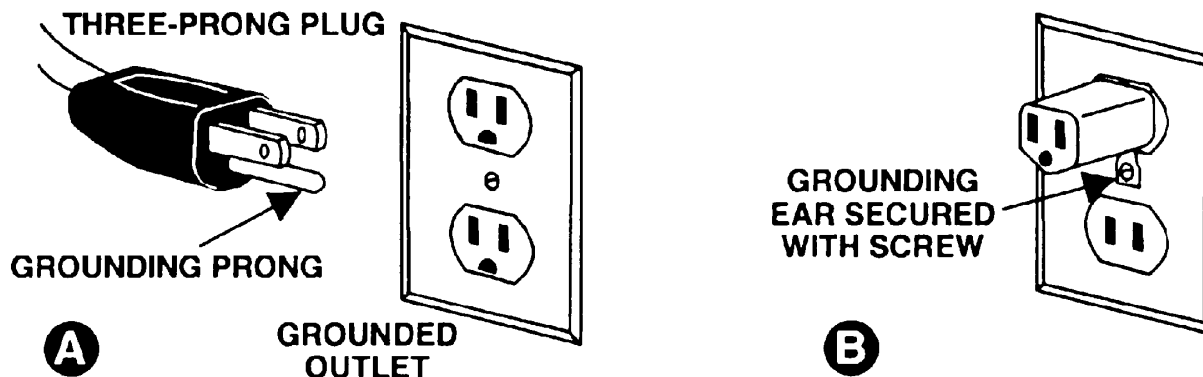
Improper connection of the equipment-grounding conductor can result in a risk of electric shock. The conductor, with insulation having an outer surface that is green with or without yellow stripes, is the equipment-grounding conductor. If repair or replacement of the electric cord or plug is necessary, do not connect the equipment-grounding conductor to a live terminal.

Check with a qualified electrician or service personnel if the grounding instructions are not completely understood, or if in doubt as to whether the tool is properly grounded. Use only three wire extension cords that have three-prong grounding plugs and three-pole receptacles that accept the tool's plug.

Repair or replace a damaged or worn cord immediately.

## 115 Volt Operation

As received from the factory, your dust collector is ready to run at 115 volt operation. This dust collector, when wired for 115 volts, is intended for use on a circuit that has an outlet and a plug that looks the one illustrated in Figure A. A temporary adapter, which looks like the adapter as illustrated in Figure B, may be used to connect this plug to a two-pole receptacle, as shown in Figure B if a properly grounded outlet is not available. The temporary adapter should only be used until a properly grounded outlet can be installed by a qualified electrician. **This adapter is not applicable in Canada.** The green colored rigid ear, lug, or tab, extending from the adapter, must be connected to a permanent ground such as a properly grounded outlet box, as shown in Figure B.



## 230 Volt Operation

If 230V, single phase operation is desired, the following instructions must be followed:

1. Disconnect the machine from the power source.
2. This dust collector is supplied with four motor leads that are connected for 115V operation, as shown in Figure A. Reconnect these four motor leads for 230V operation, as shown in Figure B.
3. The 115V attachment plug supplied with the dust collector must be replaced with a UL/CSA listed plug suitable for 230V operation. Contact your local Authorized JET Service Center or qualified electrician for proper procedures to install the plug. The dust collector must comply with all local and national codes after the 230V plug is installed.
4. The dust collector with a 230V plug should only be connected to an outlet having the same configuration. No adapter is available or should be used with the 230V plug.

**Important: In all cases (115 or 230 volts), make certain the receptacle in question is properly grounded. If you are not sure, have a registered electrician check the receptacle.**

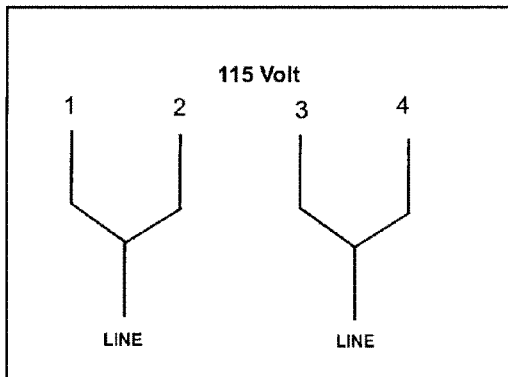


FIGURE A

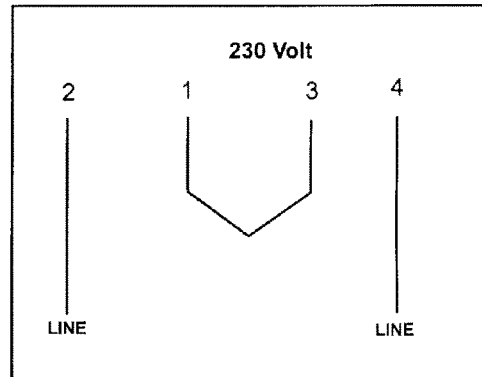
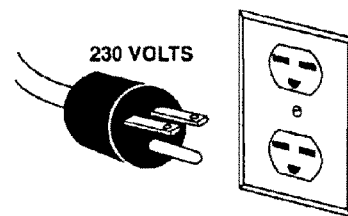
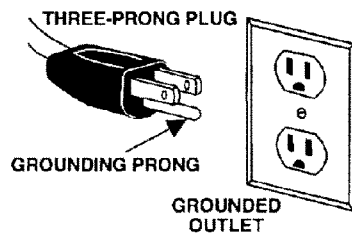


FIGURE B



**Specifications:****DC-650A**

Stock Number.....	708640
Blower Wheel Diameter.....	9-1/2"
Sound Rating at 3 feet.....	88 dB
Hose Diameter.....	4"
Air Flow (CFM).....	650
Velocity at 4" (FPM).....	6,300
Static Pressure (inch of water).....	6.3
Bag Diameter.....	14"
Filter and Collector Bag Length.....	31.5"/21.6"
Collector Bag Capacity (cu. ft.).....	1.9
Overall Dimensions.....	26-1/2" x 14" x 56-3/4" with/Canister Filter
Motor (TEFC).....	1 HP, 1Ph 115/230V, Prewired 115V
Net Weight (approx.).....	69 lbs.

**Table of Contents****Page**

Warranty.....	2
Warnings.....	3
Grounding Instructions.....	4
115V Operation.....	4
230V Operation.....	5
Specifications.....	6
Table of Contents.....	6
Unpacking DC-650A.....	7
Contents of Shipping Carton.....	7
Tools Required for Assembly.....	7
Assembly.....	8-9
Cleaning the Filter Bag.....	9
Electrical Connections.....	10
Turning the Machine On & Off.....	10
Maintenance.....	10
Removing the Collector Bag.....	10
Motor.....	10
Connecting the Dust Collector to a Machine.....	10
Grounding the Dust Collection System.....	10
Parts Breakdown and Parts List.....	11-12
Wiring Diagram.....	13

The specifications in this manual are given as general information and are not binding. WMH Tool Group reserves the right to effect, at any time and without prior notice, changes or alterations to parts, fittings, and accessory equipment deemed necessary for any reason whatsoever.

**⚠ WARNING**

**Read and understand the entire contents of this manual before attempting assembly or operation of the dust collector!  
Failure to comply may cause serious injury!**

### Unpacking

1. Remove all contents from the shipping carton.
2. Report any damage to your distributor.
3. Do not discard any shipping material until after the dust collector has been assembled and is running properly.

### Contents of the Shipping Carton

#### DC-650A

1. Base
1. Owner's Manual
1. Warranty Card
1. Motor/Fan Assembly
1. Collector Bag
1. Filter Bag
4. Casters
1. Support Cylinder
1. Retaining Strap
1. Filter Bag Support Rod
1. Bag of Assembly Hardware
  4. M6x12 Hex Head Bolts
  5. M6 Lock Washers
  5. M6 Flat Washers
  2. 3/8"-16 Acorn Nuts
  2. 3/8" Hex Nuts
  4. M10 Flat Washers
  4. M8x12 Hex Head Bolts
  4. M8 Flat Washers
  1. M6 Hex Nut

### Tools Required for Assembly

2. 14mm Wrenches or Sockets
1. 10mm Wrench or Socket



## Assembly

### **WARNING**

The dust collector must be disconnected from the power source during assembly. Failure to comply may result in serious injury!

1. Place motor housing on the floor with the motor fan facing upwards as shown in Figure 1.



Fig. 1

2. Attach support cylinder (A, Fig. 2) to the motor housing with three M6x16 socket head cap screws and three M6 flat washers (B, Fig. 2).

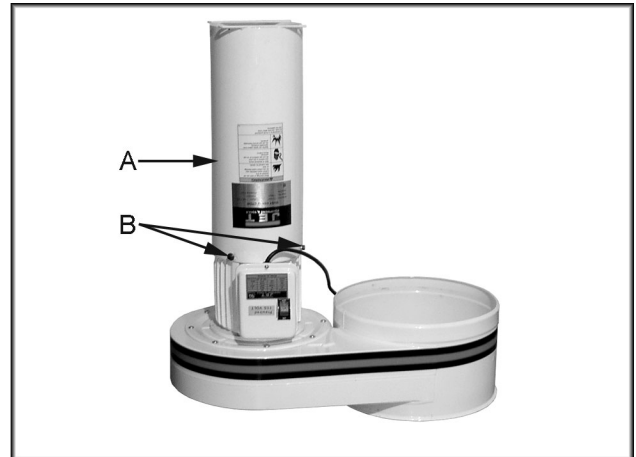


Fig. 2

3. Mount two fixed casters (C, Fig. 3) to the appropriate end of base (D, Fig. 3) using four M6 flat washers (E, Fig. 3), four M6 lock washers (F, Fig. 3) and four M6x12 hex cap bolts (G, Fig. 3).
4. Mount two swivel casters (H, Fig. 3) to the appropriate end of the base with two 3/8" hex nuts (I, Fig. 3), four M10 flat washers (J, Fig. 3), and two 3/8" acorn nuts (K, Fig. 3).

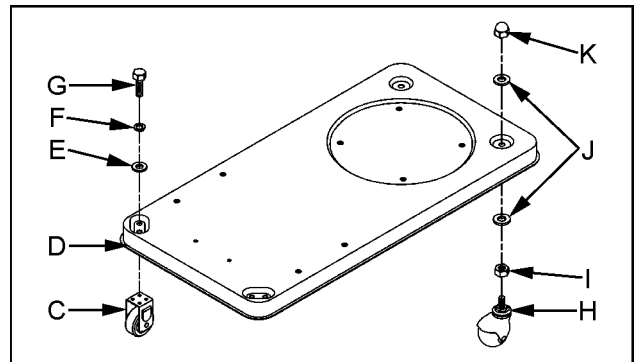


Fig. 3

5. Mount support canister (L, Fig. 4) to base (M, Fig. 4) with four M8x12 hex cap bolts and four flat washers (N, Fig. 4).
6. Turn the dust collector over onto the casters. **Note:** Make sure the base and housing are relatively parallel. If not loosen the screws that secure the support cylinder to the motor and adjust as necessary. Tighten all hardware.

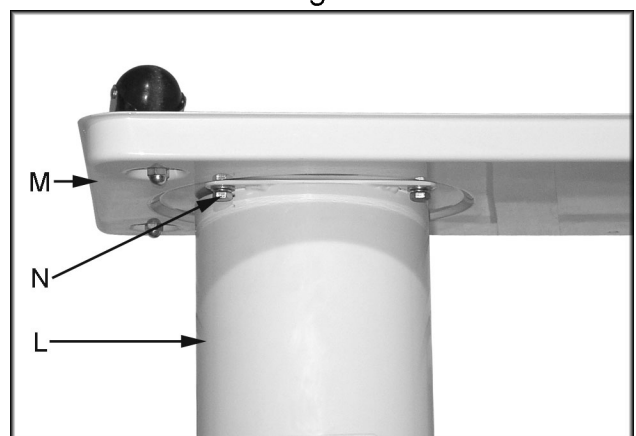


Fig. 4



7. Thread a M6 hex nut onto the filter bag support rod, followed by a M6 flat washer and M6 lock washer (A, Fig. 5). Thread the support rod (B, Fig. 5) into the motor/fan housing and tighten nut against housing.

8. Place the retaining strap (C, Fig. 5) through the loops on the filter bag and hang the filter bag from the hook.

9. Secure bag to housing with retaining strap.

**Note:** The retainer strap should be tight enough to provide a good seal.

10. Insert the snap ring of collector bag into the bottom of housing at an angle, see Figure 6.

11. Pull down on the ring and bag to make sure it "seats" in the housing.

**Note:** make sure the snap ring "snaps" into place in the housing.

5. Turn the bag outside in and re-attach to the housing using the retainer strap to secure.

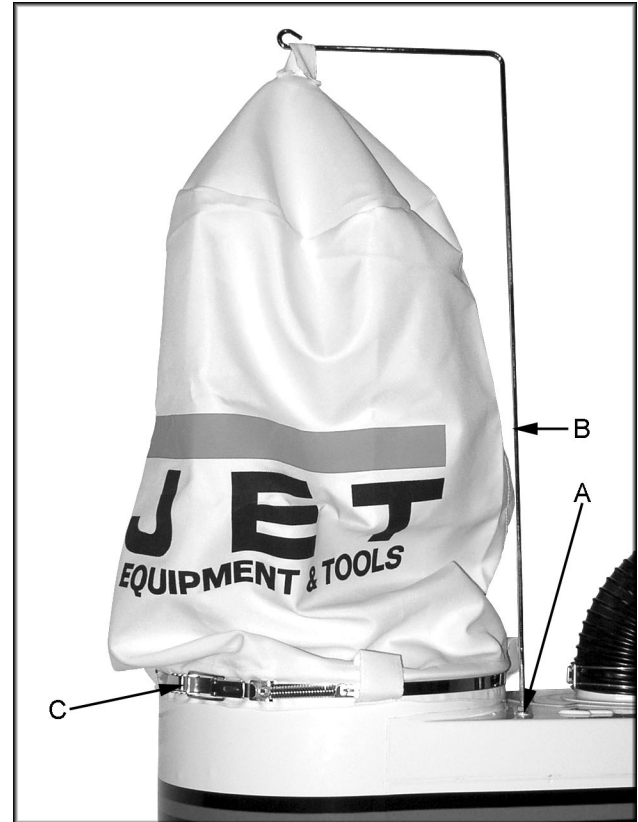


Fig. 5

### Cleaning the Filter Bag

#### CAUTION

Wearing a particle mask/respirator for protection against fine dust particles during cleaning is highly recommended.

During first use and after cleaning, the filter bag may allow some dust to escape. This is normal and will stop after a short period of time.

Clean both the filter and collector bags frequently to keep the collector's performance at its optimum. To clean:

#### CAUTION

Wearing a particle mask/respirator for protection against fine dust particles during cleaning is highly recommended.

1. **Disconnect the machine from the power source.**

2. Unhook the filter bag from the hanger and shake the bag so that the majority of the dust falls into the collector bag.

3. Loosen the retaining strap, and remove the filter bag from the housing.

4. Turn the bag inside out and clean.



Fig. 6

## Removing the Collector Bag

### **CAUTION**

**Wearing a particle mask/respirator for protection against fine dust particles during cleaning is highly recommended.**

1. **Disconnect the machine from the power source, unplug.**
2. Remove the collector bag by pushing the ring of the collector bag upwards and pulling the bag out at an angle.
3. Empty the contents into an appropriate container.
4. Turn the bag inside out and clean.
5. Turn the bag outside in and insert into the housing.

### **WARNING**

**To reduce the risk of injury from moving parts, always keep inlet connected to a flexible hose. Failure to comply may result in serious injury!**

## Electrical Connections

### **WARNING**

**All electrical connections must be done by a qualified electrician. All adjustments or repairs must be done with the dust collector disconnected from the power source, unplugged. Failure to comply may result in serious injury!**

The DC-650A dust collector is rated at **115/230V, Prewired 115V**. Use a plug and outlet rated at least 20 amps. The circuit for the machine should also be protected by at least a 20 amp circuit breaker or fuse. Keep in mind that a circuit being used by other machines, tools, lights, heaters, etc. at the same time will add to the electrical load. A dedicated circuit to the dust collector will give you the best results since dust collectors are generally used at the same time other tools are running.

Before hooking up to the power source, make sure that the switch is in the off position.

## Turning the Machine On & Off

Before hooking up to the power source, make sure that the switch is in the off position.

The dust collector can be turned on by flipping the start switch up. Flip the switch down to turn the dust collector off. There is a removable key that can be used to lock the machine in the "OFF" position.

## Maintenance

### **WARNING**

**Never perform maintenance on this machine before turning switch off and removing plug from power source, unplug. Failure to comply may cause serious injury!**

## Motor

Inspect the motor fan and blow out (with low pressure air hose) or vacuum any accumulation of foreign material in order to maintain normal motor ventilation.

## Connecting the Dust collector to a Machine

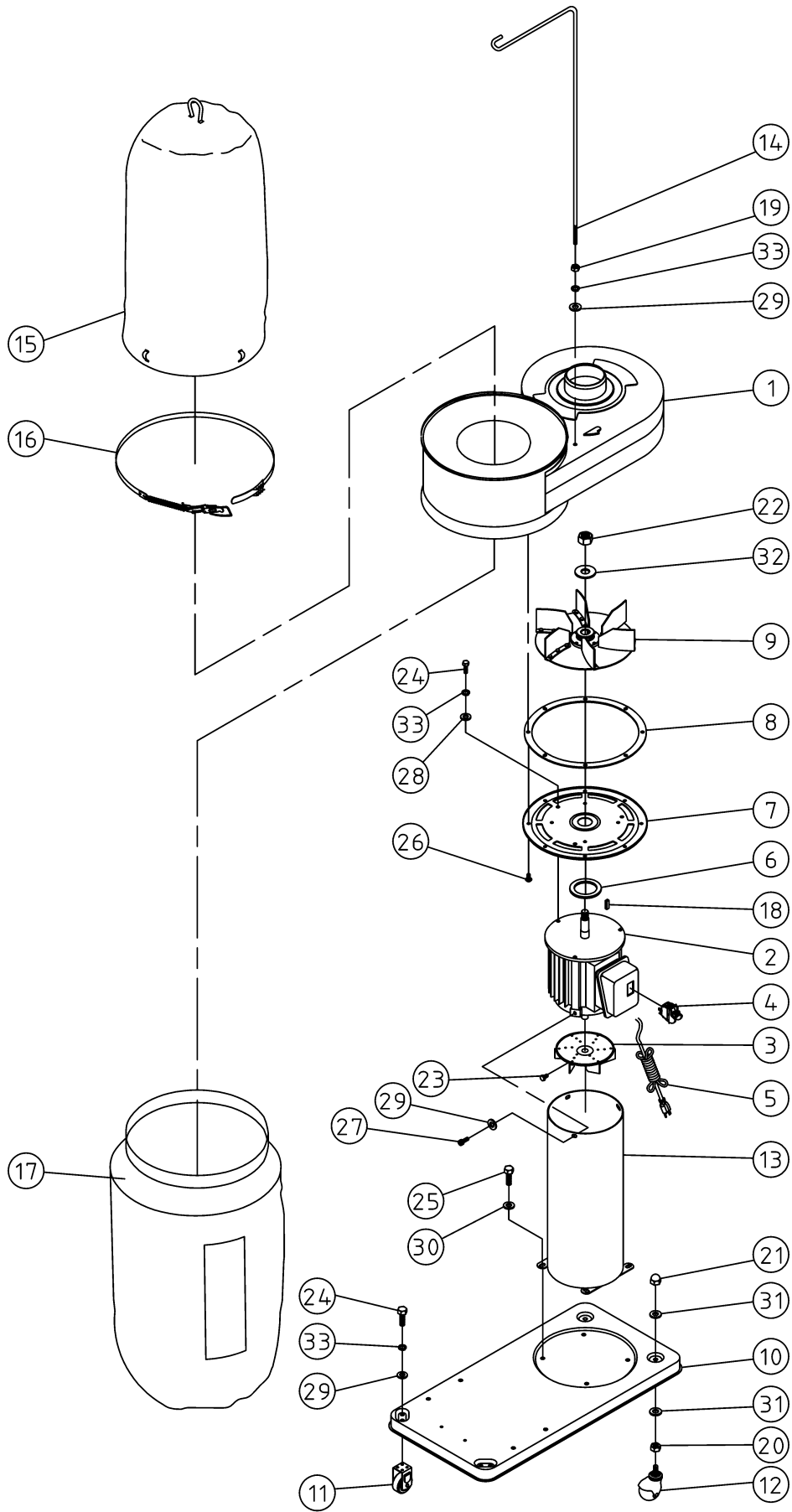
Use the proper type hose to connect the dust collector to the machine being operated. Dryer vent hose is not acceptable for this purpose. Contact your nearest JET distributor for the full line of JET Dust Collector Hoses and Accessories. Customize your installation and obtain maximum performance with JET's dust hoods, hoses, clamps, fittings, and blast gates.

You can also purchase the JET "*Dust Collection How-To-Book*" stock # JW1050 through your JET Distributor.

## Grounding the Dust Collection System

The dust collection system includes the dust collector and the hose, or duct work you use to connect the tools. The dust collector is grounded though the ground wire in the cord. The hose or duct work you use to connect the tool to the dust collector must also be grounded. To assist in grounding your system you can purchase the JET "Dust Collector Grounding Kit" stock # JW1053, and also the JET "*Dust Collection How-To-Book*" stock # JW1050 through your JET Distributor.

# Parts Breakdown for DC-650A Dust Collector

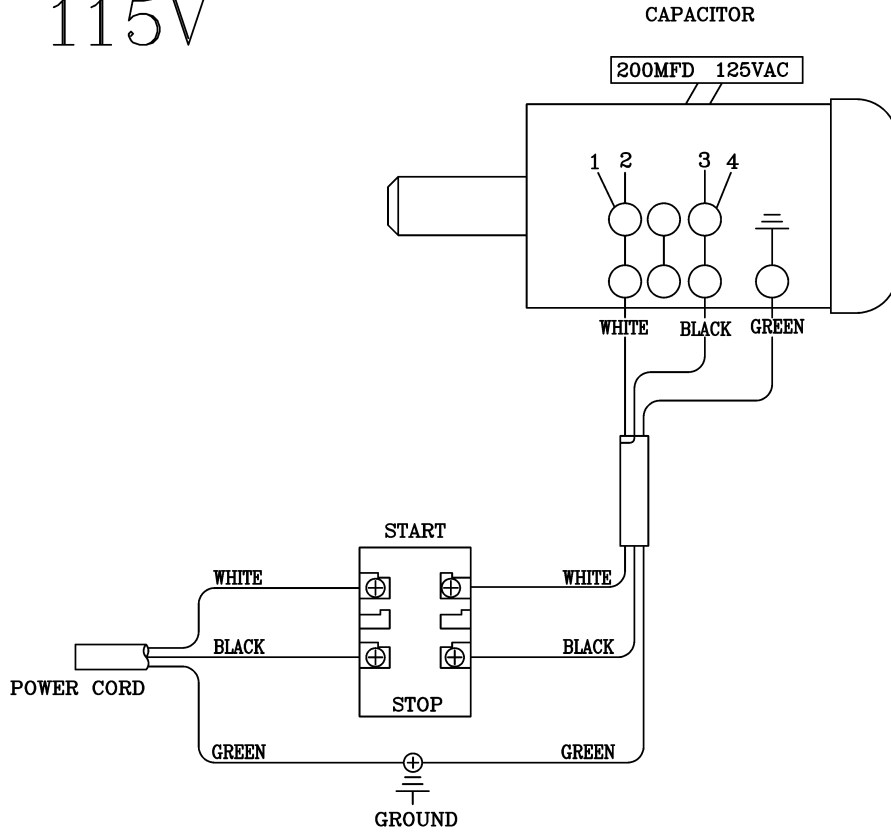


## Parts List for the DC-650A Dust Collector

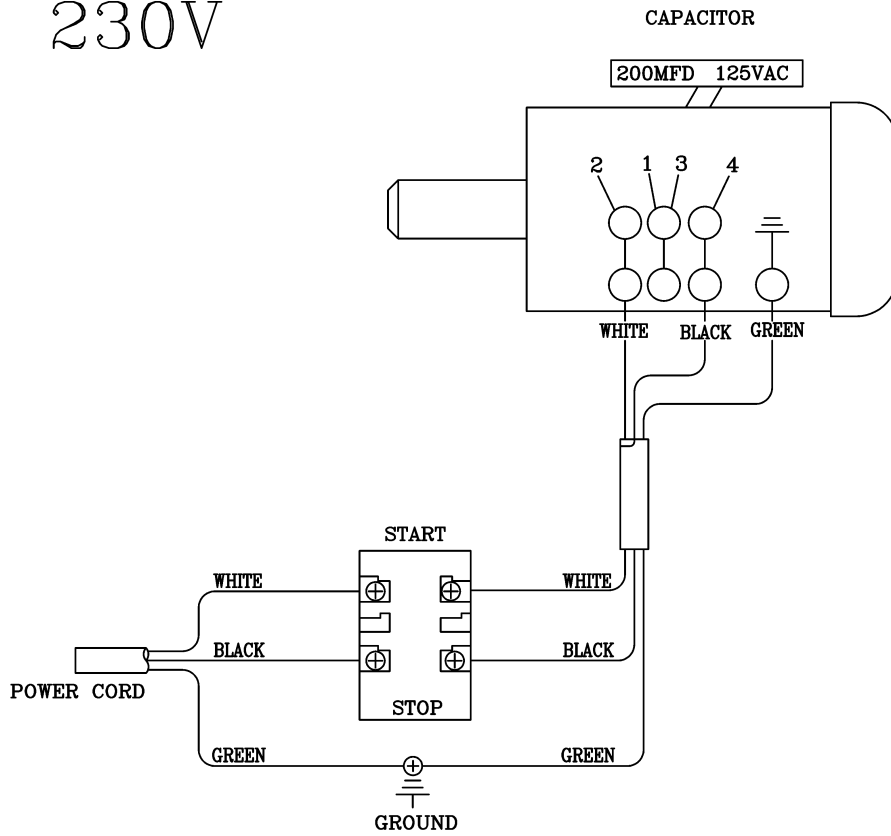
Index No.	Part No.	Description	Size	Qty.
1	422109W	Impeller Housing		1
2	MH422001	Motor		1
	CA020010	Starting Capacitor (not shown)	200MFD, 125V	1
	DC1100-52	Centrifugal Switch (not shown)		1
	DC1100-53	Centrifugal Switch Rotor (not shown)		1
	411051	Switch Box (not shown)		1
3	M4220F	Motor Fan		1
4	994532	Switch		1
5	IC422001	Power Cord		1
6	423023	Packing		1
7	412025W	Flange		1
8	410030	Flange Packing		1
9	AB410033	Impeller	9-1/2"	1
10	423038W	Base		1
11	423044	Fixed Caster		2
12	410001	Pivoting Caster		2
13	422018W	Support Cylinder		1
14	427043	Hanger		1
15	708695	Filter Bag		1
16	AB422028	Retainer Strap		1
17	DC650A-17	Collection Bag		1
18	KS050525	Key	5x5x25	1
19	TS-1540041	Hex Nut	M6	1
20	TS-0561031	Hex Nut	3/8"	2
21	TS-059303	Acorn Nut	3/8"	2
22	NH602303	Hex Nut	5/8"	1
23	TS-0207012	Socket Head Cap Screw	1/4"x3/8"	1
24	TS-1482021	Hex Cap Screw	M6x12	7
25	TS-1490011	Hex Cap Screw	M8x12	4
26	TS-1534042	Pan Head Machine Screw	M6x12	8
27	TS-1503041	Hex Socket Cap Bolt	M6x16	3
28	TS-1550041	Flat Washer	M6	3
29	TS-1550041	Flat Washer	M6	8
30	TS-1550061	Flat Washer	M8	4
31	TS-1550071	Flat Washer	M10	4
32	TS-155010	Flat Washer	M16	1
33	TS-1551041	Lock Washer	M6	8
	DC650C-ID	Identification Label (not shown)		1
	DC650C-HP	Hardware Package (not shown)		1
	DC-IGW	Inlet Guard Warning Label (not shown)		1
	DC-MBW	Motor Bracket Warning Label (not shown)		1

# Wiring Diagram

## 115V



## 230V



## Free Manuals Download Website

<http://myh66.com>

<http://usermanuals.us>

<http://www.somanuals.com>

<http://www.4manuals.cc>

<http://www.manual-lib.com>

<http://www.404manual.com>

<http://www.luxmanual.com>

<http://aubethermostatmanual.com>

Golf course search by state

<http://golfingnear.com>

Email search by domain

<http://emailbydomain.com>

Auto manuals search

<http://auto.somanuals.com>

TV manuals search

<http://tv.somanuals.com>