

POWERMATIC

WMH TOOL GROUP

OWNER'S MANUAL PDS-12CS 12" Disc Sander



POWERMATIC
WMH Tool Group
www.powermatic.com

427 Sanford Rd.
LaVergne, TN 37086
e-mail powermatic@wmhtoolgroup.com

Phone: 253-351-6000
Fax: 1-800-274-6840
M-1791201K 06/02

This manual has been prepared for the owner and operators of a PDS-12CS Sander. Its purpose, aside from machine operation, is to promote safety through the use of accepted correct operating and maintenance procedures. Completely read the safety and maintenance instructions before operating or servicing the machine. To obtain maximum life and efficiency from your Powermatic Sander, and to aid in using the machine safely, read this manual thoroughly and follow instructions carefully.

Warranty & Service

The WMH Tool Group warrants every product it sells. If one of our tools needs service or repair, one of our Authorized Repair Stations located throughout the United States can give you quick service.

In most cases, any one of these WMH Tool Group Repair Stations can authorize warranty repair, assist you in obtaining parts, or perform routine maintenance and major repair on your JET, Performax, Wilton, or Powermatic tools.

For the name of an Authorized Repair Station in your area, please call 1-800-274-6848, or visit www.wmhtoolgroup.com

More Information

Remember, the WMH Tool Group is consistently adding new products to the line. For complete, up-to-date product information, check with your local WMH Tool Group distributor, or visit www.wmhtoolgroup.com

WMH Tool Group Warranty

The WMH Tool Group (including Performax, Wilton and Powermatic brands) makes every effort to assure that its products meet high quality and durability standards and warrants to the original retail consumer/purchaser of our products that each product be free from defects in materials and workmanship as follow: 1 YEAR LIMITED WARRANTY ON ALL PRODUCTS UNLESS SPECIFIED OTHERWISE. This Warranty does not apply to defects due directly or indirectly to misuse, abuse, negligence or accidents, normal wear-and-tear, repair or alterations outside our facilities, or to a lack of maintenance.

THE WMH TOOL GROUP LIMITS ALL IMPLIED WARRANTIES TO THE PERIOD SPECIFIED ABOVE, FROM THE DATE THE PRODUCT WAS PURCHASED AT RETAIL. EXCEPT AS STATED HEREIN, ANY IMPLIED WARRANTIES OR MERCHANTABILITY AND FITNESS ARE EXCLUDED. SOME STATES DO NOT ALLOW LIMITATIONS ON HOW LONG THE IMPLIED WARRANTY LASTS, SO THE ABOVE LIMITATION MAY NOT APPLY TO YOU. THE WMH TOOL GROUP SHALL IN NO EVENT BE LIABLE FOR DEATH, INJURIES TO PERSONS OR PROPERTY, OR FOR INCIDENTAL, CONTINGENT, SPECIAL, OR CONSEQUENTIAL DAMAGES ARISING FROM THE USE OF OUR PRODUCTS. SOME STATES DO NOT ALLOW THE EXCLUSION OR LIMITATION OF INCIDENTAL OR CONSEQUENTIAL DAMAGES, SO THE ABOVE LIMITATION OR EXCLUSION MAY NOT APPLY TO YOU.

To take advantage of this warranty, the product or part must be returned for examination, postage prepaid, to an Authorized Repair Station designated by our office. Proof of purchase date and an explanation of the complaint must accompany the merchandise. If our inspection discloses a defect, we will either repair or replace the product, or refund the purchase price if we cannot readily and quickly provide a repair or replacement, if you are willing to accept a refund. We will return repaired product or replacement at JET'S expense, but if it is determined there is no defect, or that the defect resulted from causes not within the scope of JET'S warranty, then the user must bear the cost of storing and returning the product. This warranty gives you specific legal rights; you may also have other rights which vary from state to state.

The WMH Tool Group sells through distributors only. Members of the WMH Tool Group reserve the right to effect at any time, without prior notice, those alterations to parts, fittings, and accessory equipment which they may deem necessary for any reason whatsoever.

WARNING

Wear eye protection.

Always keep guards in place and in proper operating condition. Do not operate the machine without the guards for any reason.

This disc sander is intended to be used with wood and wood products only. Use of this disc sander and a dust collector with metal products is a potential fire hazard.

Support the workpiece adequately at all times during operation; maintain control of the work at all times.

This disc sander is designed and intended for use by properly trained and experienced personnel only. If you are not familiar with the proper and safe operation of a disc sander, do not use until proper training and knowledge has been obtained.

- **REMOVE ADJUSTING KEYS AND WRENCHES.** Form a habit of checking to see that keys and adjusting wrenches are removed from the machine before turning it on.
- **KEEP THE WORK AREA CLEAN.** Cluttered areas and benches invite accidents.
- **DON'T USE IN A DANGEROUS ENVIRONMENT.** Don't use power tools in damp or wet locations, or expose them to rain. Keep work area well lighted.
- **KEEP CHILDREN AWAY.** All visitors should be kept a safe distance from the work area.
- **MAKE THE WORKSHOP KIDPROOF** with padlocks, master swatches, or by removing starter keys.
- **DON'T FORCE THE MACHINE.** It will do the job better and safer at the rate for which it was designed.
- **USE THE RIGHT TOOL.** Don't force a machine or attachment to do a job for which it was not designed.
- **USE THE PROPER EXTENSION CORD.** Make sure your extension cord is in good condition. When using an extension cord, be sure to use one heavy enough to carry the current your machine will draw. An undersized cord will cause a drop in the line voltage resulting in power loss and overheating. The table following shows the correct size to use depending on the cord length and nameplate ampere rating. If in doubt, use the next heavier gauge. Remember, the smaller the gauge number, the heavier the cord.

Volts	Total Length of Cord in Feet			
	25	50	100	150
	AWG			
	16	16	14	12

- **WEAR PROPER APPAREL.** Do not wear loose clothing, gloves, neckties, rings, bracelets, or other jewelry which may get caught in moving parts. Non-slip footwear is recommended. Wear protective hair covering to contain long hair.
- **ALWAYS USE SAFETY GLASSES.** Also use face or dust masks if the cutting operation is dusty. Everyday eyeglasses only have impact resistant lenses; they are not safety glasses.
- **DON'T OVERREACH.** Keep proper footing and balance at all times.
- **MAINTAIN TOOLS WITH CARE.** Keep tools sharp and clean for best and safest performance. Follow instructions for lubricating and changing accessories.

- **ALWAYS DISCONNECT THE MACHINE FROM THE POWER SOURCE BEFORE SERVICING.**
- **REDUCE THE RISK OF UNINTENTIONAL STARTING.** Make sure the switch is in the off position before plugging in.
- **USE RECOMMENDED ACCESSORIES.** The use of accessories and attachments not recommended by POWERMATIC may cause hazards or risk of injury to persons.
- **NEVER STAND ON A MACHINE.** Serious injury could occur if the machine is tipped.
- **CHECK DAMAGED PARTS.** Before further use of the machine, a guard or other part that is damaged should be carefully checked to determine that it will operate properly and perform its intended function - check for alignment of moving parts, binding of moving parts, breakage of parts, mounting, and any other conditions that may affect its operation. A guard or other part that is damaged should be properly repaired or replaced.
- **NEVER LEAVE THE MACHINE RUNNING UNATTENDED. TURN POWER OFF.** Don't leave the machine until it comes to a complete stop.
- **SOME DUST CREATED** by power sanding, sawing, grinding, drilling and other construction activities contains chemicals known to cause cancer, birth defects or other reproductive harm. Some examples of these chemicals are:
 - Lead from lead based paint
 - crystalline silica from bricks and cement and other masonry products, and
 - arsenic and chromium from chemically-treated lumber.
- Your risk from those exposures varies, depending on how often you do this type of work. To reduce your exposure to these chemicals: work in a well ventilated area, and work with approved safety equipment, such as those dust masks that are specifically designed to filter out microscopic particles
- **DO NOT** operate tool while under the influence of drugs, alcohol or any medication.
- **AVOID** kickback by sanding in accordance with directional arrows. Sand on downward side of disc. Sanding on the upward side could cause the workpiece to fly up causing injury.
- **SAND** with the grain of the wood.
- **DO NOT** sand pieces of material that are too small to be safely supported.
- **WHEN** sanding a large workpiece, provide additional support at table height.
- **ADDITIONAL INFORMATION** regarding the safe and proper operation of this product is available from the National Safety Council, 1121 Spring Lake Drive, Itasca, IL 60143-3201, in the Accident Prevention Manual for Industrial Operations and also in the safety Data Sheets provided by the NSC. Please also refer to the American National Standards Institute ANSI 01.1 Safety Requirements for Woodworking Machinery and the U.S. Department of Labor OSHA 1910.213 Regulations.
- **SAVE THESE INSTRUCTIONS** refer to them often and use them to instruct others.

Grounding Instructions

Caution: This tool must be grounded while in use to protect the operator from electric shock.

In the event of a malfunction or breakdown, grounding provides a path of least resistance for electric current to reduce the risk of electric shock. This tool is equipped with an electric cord having an equipment-grounding conductor and a grounding plug. The plug must be plugged into a matching outlet that is properly installed and grounded in accordance with all local codes and ordinances.

Do not modify the plug provided. If it will not fit the outlet, have the proper outlet installed by a qualified electrician.

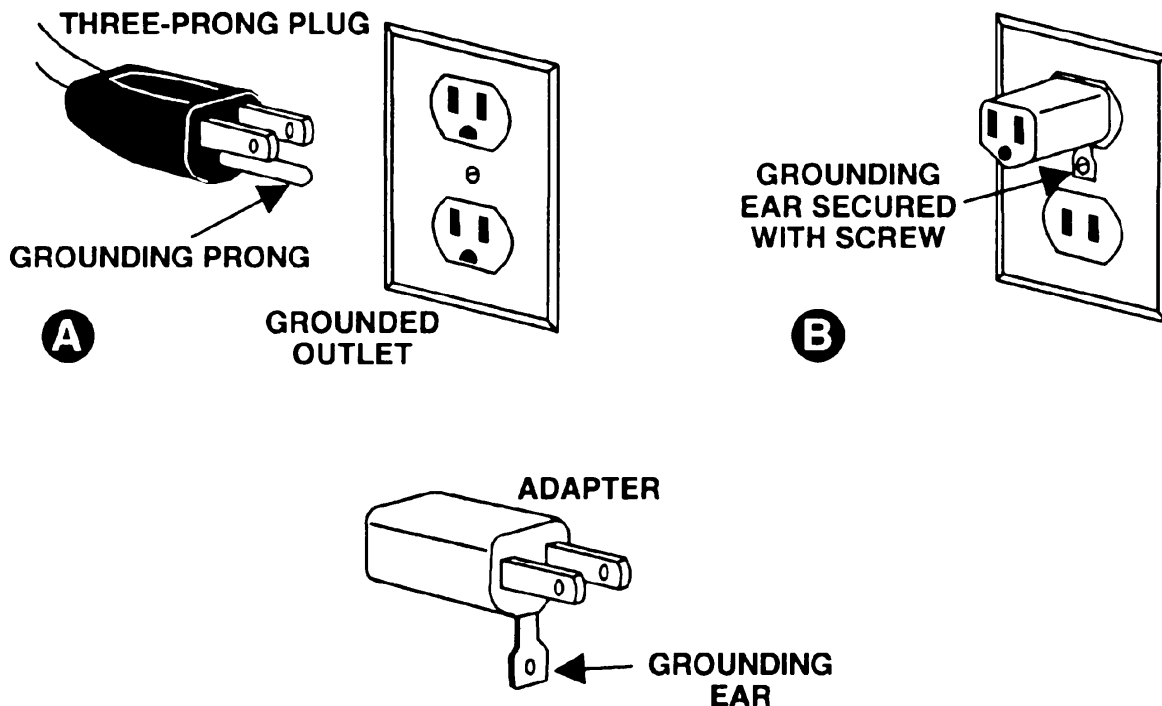
Improper connection of the equipment-grounding conductor can result in a risk of electric shock. The conductor, with insulation having an outer surface that is green with or without yellow stripes, is the equipment-grounding conductor. If repair or replacement of the electric cord or plug is necessary, do not connect the equipment-grounding conductor to a live terminal.

Check with a qualified electrician or service personnel if the grounding instructions are not completely understood, or if in doubt as to whether the tool is properly grounded. Use only three wire extension cords that have three-prong grounding plugs and three-pole receptacles that accept the tool's plug.

Repair or replace a damaged or worn cord immediately.

115 Volt Operation

As received from the factory, your sander is ready to run at 115 volt operation. This sander, when wired for 115 volt, is intended for use on a circuit that has an outlet and a plug that looks like the one illustrated in (A). A temporary adapter, which looks like the adapter as illustrated in (B), may be used to connect this plug to a two-pole receptacle, as shown in (B) if a properly grounded outlet is not available. The temporary adapter should only be used until a properly grounded outlet can be installed by a qualified electrician. **This adapter is not applicable in Canada.** The green colored rigid ear, lug, or tab, extending from the adapter, must be connected to a permanent ground such as a properly grounded outlet box, as shown in (B).



230 Volt Operation

If 230V, single phase operation is desired, the following instructions must be followed:

1. **Disconnect the machine from the power source.**
2. This POWERMATIC sander is supplied with four motor leads that are connected for 115V operation, as shown in Figure A. Reconnect these four motor leads for 230V operation, as shown in Figure B.
3. The 115V attachment plug (A), supplied with the sander, must be replaced with a UL/CSA listed plug suitable for 230V operation (D). Contact your local Authorized POWERMATIC Service Center or qualified electrician for proper procedures to install the plug. The sander must comply with all local and national codes after the 230 volt plug is installed.
4. The sander with a 230 volt plug should only be connected to an outlet having the same configuration (D). No adapter is available or should be used with the 230 volt plug.

Important: In all cases (115 or 230 volts), make certain the receptacle in question is properly grounded. If you are not sure, have a registered electrician check the receptacle.

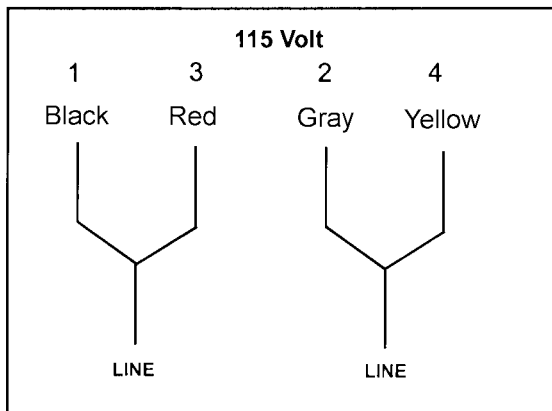


FIGURE A

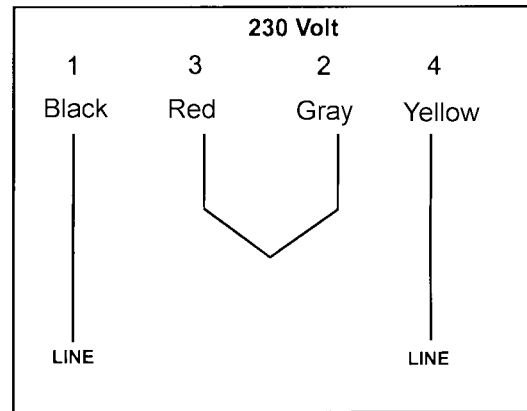
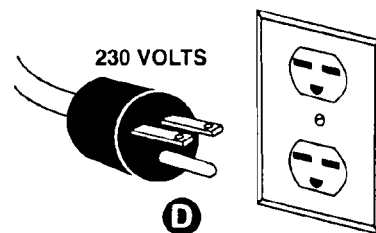
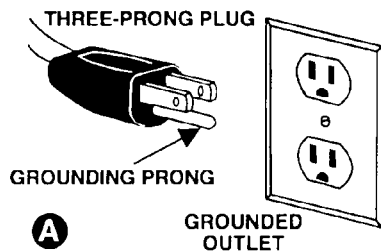


FIGURE B



Specifications

PDS-12CS

Stock Number.....	1791201K
Disc Diameter.....	12"
Table Tilt	15° Up - 45° Down
Dust Chute Diameter	4"
Disc Table	16-3/8" W x 9-3/4" D
Motor	1-1/2 HP, 115/230V, 60Hz, 1Ph
Impeller	10"
Overall Dimensions	27-3/4" W x 25" D x 42-5/8" H
Net Weight (approx.)	189 Lbs.

Table of Contents

Warranty	2
Warnings.....	3-4
Grounding Instructions.....	5
115V Operation	5
230V Operation	6
Specifications.....	7
Table of Contents	7
Contents of the Shipping Carton	8
Tools Required for Assembly & Adjustment	8
Unpacking	8
Stand Assembly.....	9
Sander Assembly.....	9
Collector Bag Assembly.....	10
Table Adjustment.....	10
Sanding Disc Replacement.....	11
Center Point	11
Brake.....	11
On/Off Switch.....	11
Lubrication.....	11
Motor	11
Emptying Collector Bag	12
Optional Accessories	12
Troubleshooting.....	12
Parts Breakdowns & Parts List	13-17
Wiring Diagram	18

The specifications in this manual are given as general information and are not binding. The WMH Tool Group reserves the right to effect, at any time and without prior notice, changes or alterations to parts, fittings, and accessory equipment deemed necessary for any reason whatsoever.

Contents of the Shipping Carton

PDS-12CS 12" Disc Sander

- 1. Sander
- 1. Sanding Disc
- 1. Table
- 1. Miter Gauge
- 1. Miter Gauge Fence
- 1. Owner's Manual
- 1. Warranty Card
- Hardware Kit*
 - 4. Hex Head Bolt M10x35
 - 4. Flat Washer M10
 - 4. Lock Washers M10
 - 2. Hex Nut M6
 - 4. Pan Head Flange Screw M6x12
 - 1. Center Point
 - 1. Right Angle Hex Wrench 3mm
 - 1. Filler Bar
 - 1. Socket Head Cap Screw M5x8



Closed Stand

- 1. Stand
- 1. Inlet
- 2. Hangers
- 1. Ring Clamp
- 1. Collector Bag

Tools Required for Assembly & Adjustments

- 1. 13mm Wrench or socket
- 1. Combination Square



WARNING

**Read and understand the entire contents of this manual before attempting assembly or operation of the disc sander!
Failure to comply may cause serious injury!**

Unpacking

- 1. Remove all contents from the shipping carton(s).
- 2. Report any damage to your distributor.
- 3. Do not discard any shipping material until the sander has been assembled and is running properly.

Stand Assembly

1. With the help of another person lift the sander (A, Fig. 1) onto the stand (B, Fig. 1). Feed the belt (C, Fig. 1) through the cut out in the top of the stand.
2. Match the hole pattern in the stand with the hole pattern in the sander.
3. Bolt the sander to the stand with *four* M10x35 socket head cap screw (D, Fig. 1), *four* M10 lock washers (E, Fig. 1) and *four* M10 flat washers (F, Fig. 1). Tighten the nuts to secure the sander to the stand.

Sander Assembly

1. Unscrew the knob (G, Fig. 2), remove the washer (H, Fig. 2) and the trunnion holder (I, Fig. 2). Repeat for opposite side.
2. Lift the table (J, Fig. 2) into position and set on top of the split pins and threaded shaft.
3. Reinstall the trunnion holder, washer and knob. Repeat for opposite side.
4. Make sure the trunnion and trunnion holder engage and tighten the knobs.
5. Open the door in the cabinet to gain access to the belt. Make sure the belt (K, Fig. 3) is seated in the sanding disc pulley.
6. Loosen two bolts (L, Fig. 3) to move the tension roller (M, Fig. 3) out of the way. Place the belt on the fan pulley (N, Fig. 3) and rotate until the belt seats in the pulley. Tighten the tension roller against the belt as shown in Figure 3. The tension roller is adjusted properly when it takes the slack out of the belt.

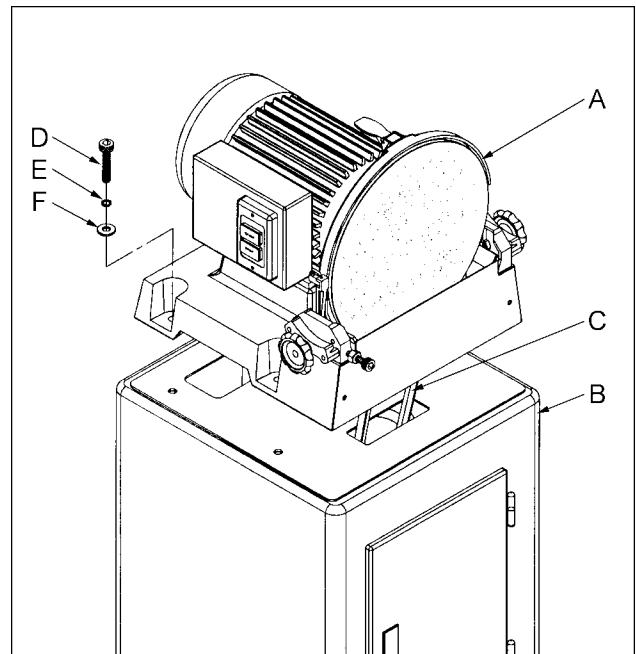


Fig. 1

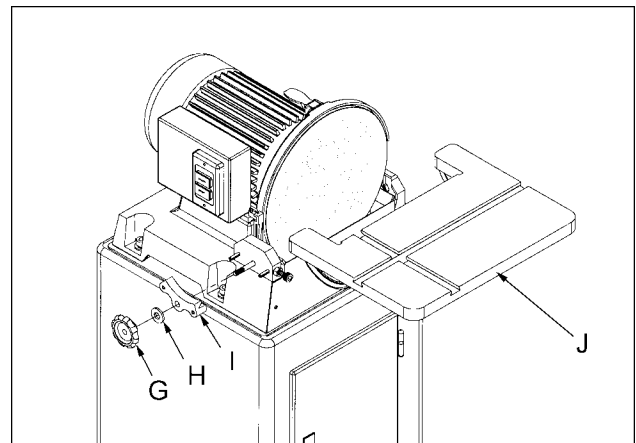


Fig. 2

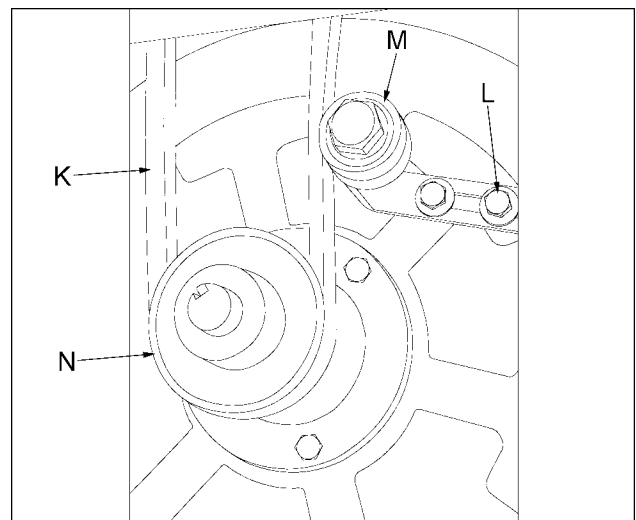


Fig. 3



WARNING

Avoid kickback by sanding in accordance with directional arrow. Sand on downward side of disc. Sanding on the upward side could cause the workpiece to fly up causing injury! Failure to comply may cause serious injury!

Collector Bag Assembly

1. Mount the inlet port (A, Fig. 4) to the cabinet with *four* M6x12 pan head screws (B, Fig. 4).
2. Thread *two* M6 nuts (C, Fig. 4) on the shaft of hanger rods (D, Fig. 4). Thread rods into the cabinet and tighten nuts against the cabinet.
3. Place the loops (E, Fig. 4) of the collector bag onto the hanger rods.
4. Loosen ring clamp (F, Fig. 4) all the way and place on the inlet port. Fit collector bag opening onto inlet port, and secure in place by tightening the ring clamp.

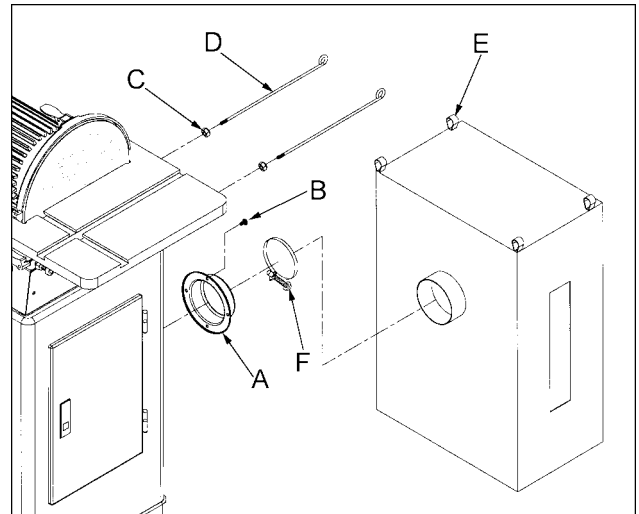


Fig. 4

Table Adjustment

The table stops have been set-up at the factory. However, if you run into a problem, or want to check the table follow the below listed steps.

1. Loosen knobs (G, Fig. 5) and move table into the 90-degree position. Tighten knobs and place a square (H, Fig. 5) against the table and sander disc. The square should rest flat against the table and the disc.
2. If adjustment is needed move the table so that it rests 90 degrees from the table, and loosen the hex nut (I, Fig. 5) and tighten the set screw (J, Fig. 5) until it contacts the table surface. Tighten hex nut. This will properly adjust the 90-degree stop.
3. Loosen knobs (G Fig. 5) and tilt table up enough to pivot the stop (K, Fig. 5) out of the way.
4. Tilt the table down until it hits the 45-degree stop (L, Fig. 5). Tighten the lock knobs, and check the table with a combination square.
5. If adjustments needed, loosen hex nut (M, Fig. 5) and adjust socket head screw (L, Fig. 5) until it contacts table. Tighten hex nut.
6. Always maintain a gap of approximately 1/16" between the table edge, and disc. If adjustment is necessary loosen hex cap bolts (N, Fig. 6) and move the table into position. Tighten hex cap bolts.
7. The table can be tilted between 15° up - 45° down by loosening lock knobs and tilting the table to the desired angle. Tighten knobs.
8. If you want to tilt the table up you need to pivot the stop (E, Fig. 5) out of the way.

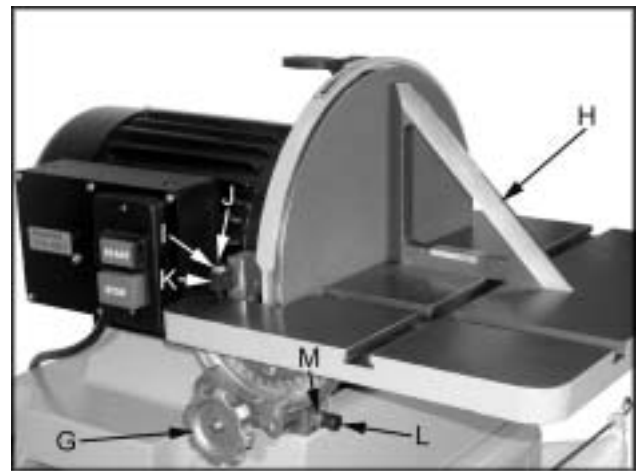


Fig. 5



Fig. 6

Sanding Disc Replacement

1. **Disconnect machine from the power source.**
2. Remove the knobs (A, Fig. 7), washers (B, Fig. 7), and trunnion holders (C, Fig. 7) followed by the table assembly (D, Fig. 7).
3. Remove old sanding disc by stripping from wheel. Use a cleaner and putty knife to remove the residue. Make sure the disc plate is clean and dry.
4. Press the new disc firmly into place.

Center Point

The center point (E, Fig. 8) provided with sander can be used for sanding circles. Slide the center point into the miter slot that is perpendicular to the sanding disc. The radius of the desired circle should be the distance from the center point to the sanding disc. Lock the center point in position by tightening the set screws. Cut the wood to the approximate diameter and press on to the center point. Rotate the wood until the desired results are achieved.

Filler Bar

The filler bar (J, Fig. 8) should be added when sanding small workpieces. Secure in place with the socket head cap screw (K, Fig. 8). When not using the filler bar thread the socket head cap screw (K, Fig. 8) in the tapped hole as a stop.

Brake

After turning the sander "OFF" you can press the brake (F, Fig. 8) to slow, or stop the sanding disc.

On/Off Switch

The machine can be turned "ON" or "OFF" by pushing the appropriate button (G, Fig. 8).

Lubrication

Lubricate the trunnion, and trunnion holder (H, Fig. 8) if the table does not tilt smoothly.

Motor

Make frequent inspections of the motor fan cover, and blow out (with low pressure air hose) or

vacuum any accumulation of foreign material in order to maintain normal motor ventilation.

⚠ WARNING

All electrical connections must be done by a qualified electrician. All adjustments or repairs must be done with the sander disconnected from the power source, unplugged. Failure to comply may result in serious injury!

The PDS-12CS disc sander is rated 115V/230V, **Prewired 115V.**

If you want to run the PDS-12CS on 230V refer to the wiring diagram found on the inside of the switch box cover (I, Fig. 8).

Before hooking up to the power source, make sure that the switch is in the off position.

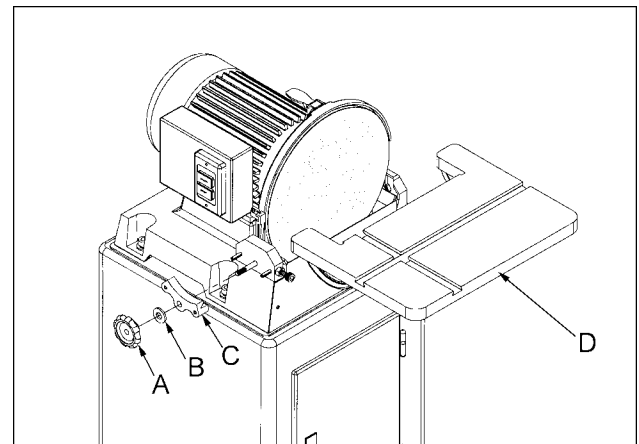


Fig. 7

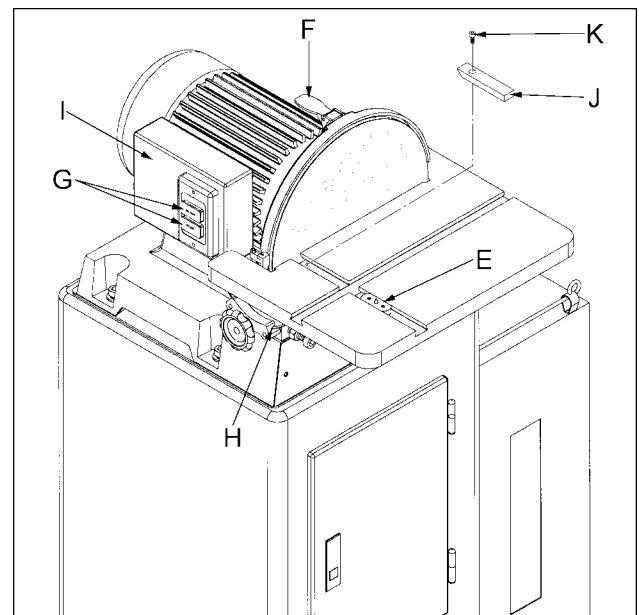


Fig. 8

Emptying the Collector Bag

⚠ CAUTION
Wearing a particle mask/respirator for protection against fine dust particles during cleaning is highly recommended.

During first use and after cleaning, the bag may allow some dust to escape. This is normal and will stop after a short period of time.

Clean the collector bag frequently to keep the collector's performance at its optimum. To clean:

1. **Disconnect the machine from the power source, unplug.**
2. Remove the collector bag from the hanger rods.
3. Loosen the ring clamp and remove the bag.
4. Empty the contents into an appropriate container. The bag is easily emptied by unzipping the bottom of the bag.

Optional Accessories

57620025: JET Stik Abrasive Belt and Disc Cleaner.

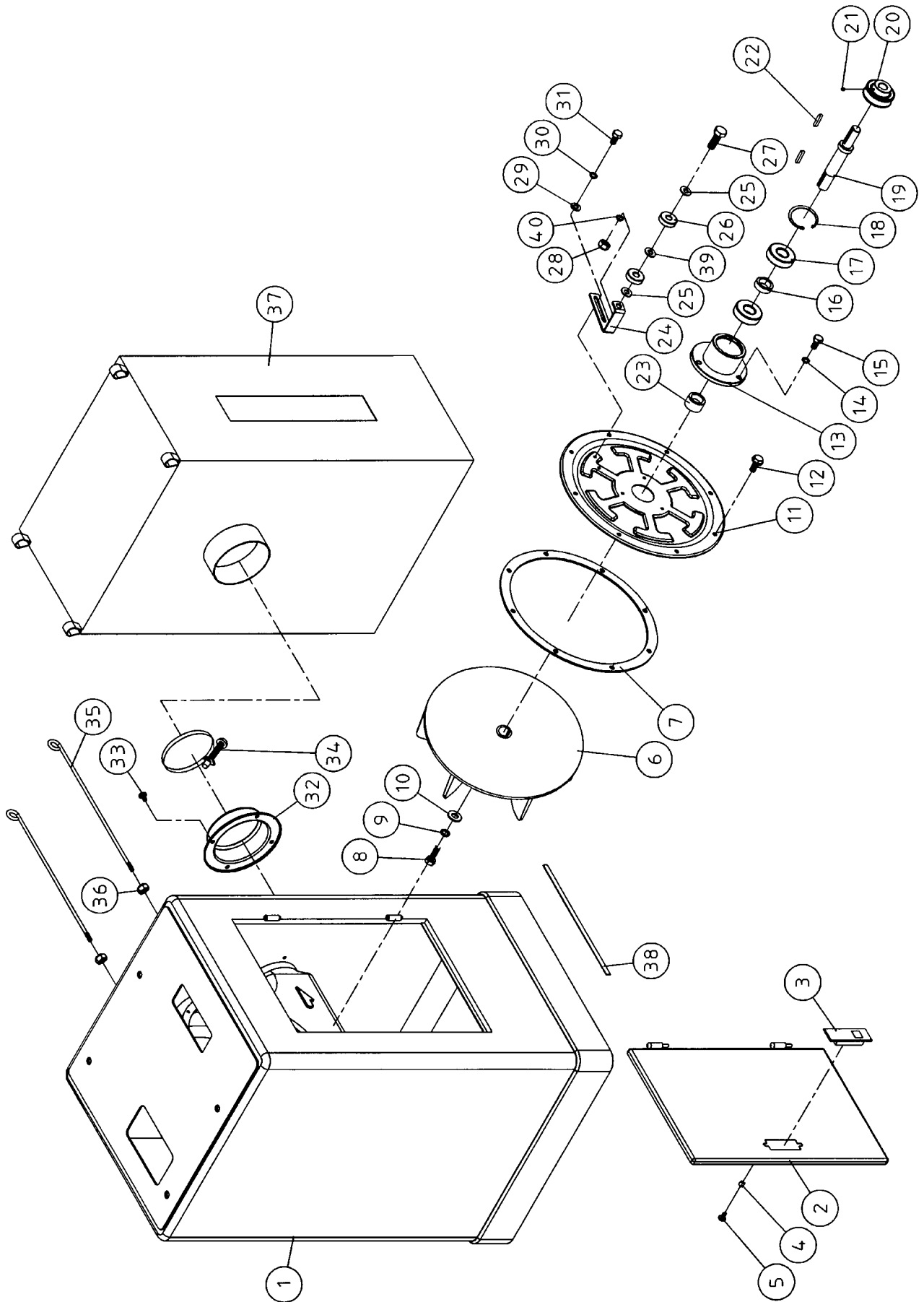
JDS-12B Sanding Disc PSA Aluminum Oxide "J" Weight Cloth Back.

12"	36 Grit	50 Grit	60 Grit
Stock Number	57698525	57698650	57698750
Master Carton	25	50	50
12"	80 Grit	100 Grit	120 Grit
Stock Number	57698850	57698950	57699050
Master Carton	50	50	50

Troubleshooting

Trouble	Possible Cause	Solution
Sander will not start	<ol style="list-style-type: none"> 1. Sander unplugged from wall or motor 2. Fuse blown or circuit breaker tripped 3. Cord damaged 	<ol style="list-style-type: none"> 1. Check all plug connections 2. Replace fuse or reset circuit breaker 3. Replace cord
Sanding disc does not come up to speed	<ol style="list-style-type: none"> 1. Extension cord too light or too long 2. Low current 	<ol style="list-style-type: none"> 1. Replace with adequate size and length cord 2. Contact a qualified electrician
Machine vibrates excessively	<ol style="list-style-type: none"> 1. Stand or base on uneven surface 	<ol style="list-style-type: none"> 1. Adjust stand or base so that it rests evenly on the floor 2. Bolt down
Sanded edge not square	<ol style="list-style-type: none"> 1. Table not square to sanding disc 	<ol style="list-style-type: none"> 1. Use a square to adjust table to sanding disc
Sanding marks on wood	<ol style="list-style-type: none"> 1. Work held still 2. Wrong grit sanding disc 3. Feed pressure too great 4. Sanding against the grain 	<ol style="list-style-type: none"> 1. Keep workpiece moving 2. Use coarser grit for stock removal and fine grit for finish sanding. 3. Never force workpiece 4. Sand with the grain

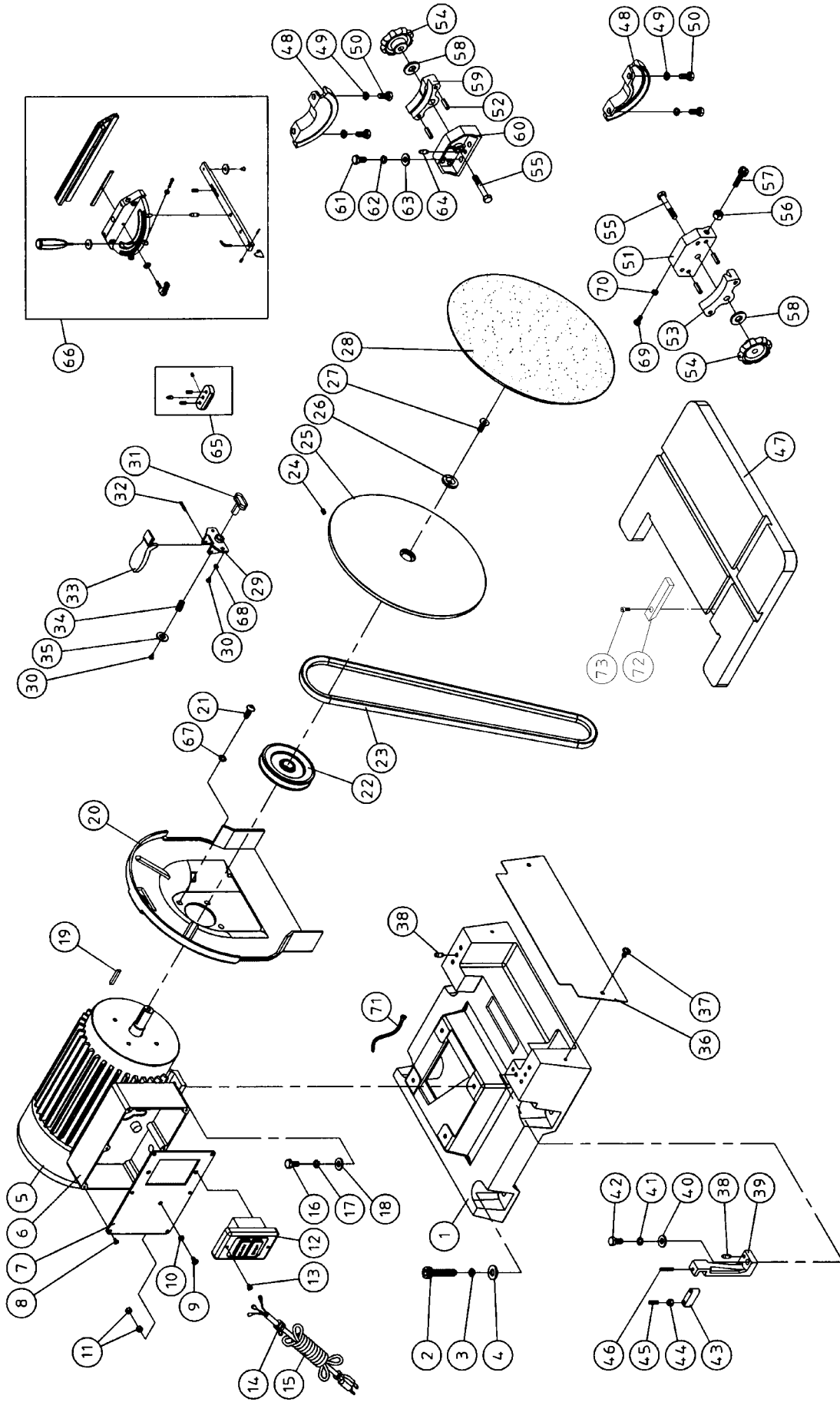
Base Assembly Breakdown



**Parts List for the PDS-12CS
Base Assembly**

Index No.	Part No.	Description	Size	Qty
1	612083	Closed Stand		1
2	612097	Door w/Latch Assembly		1
3	150503	Latch Assembly		1
4	150503-1	Spacer		2
5	SP040100	Pan Head Bolt	M4 x 5	2
6	331003	Impeller	10"	1
7	410030	Gasket		1
8	SH080402	Hex Head Bolt	M8 x 20 (LH)	1
9	TS-1551061	Lock Washer	M8	1
10	TS-1550061	Flat Washer	M8 x 30	1
11	612088	Cover		1
12	SG069300	Hex Flange Bolt	M6 x 12	8
13	612089	Bearing Housing		1
14	TS-1551041	Lock Washer	M6	3
15	TS-1482031	Cap Screw	M6 x 16	3
16	612112	Bushing		1
17	BB-6204LLU	Ball Bearing	6204LLU	2
18	RR470000	Retaining Ring	R47	1
19	612090	Shaft		1
20	612091	Pulley		1
21	TS1523031	Set Screw	M6 x 8	2
22	KD050530	Key	5 x 5 x 30	2
23	612121	Bushing		1
24	612094	Idle Wheel Bracket		1
25	TS1550071	Flat Washer	M10 x 20	2
26	BB-6200ZZ	Ball Bearing	6200ZZ	2
27	TS-149105	Hex Head Bolt	M10 x 35	1
28	TS-1540072	Nut	M10	1
29	TS-1550041	Flat Washer	M6 x 13	2
30	TS-1551041	Lock Washer	M6	2
31	TS-1482031	Cap Screw	M6 x 16	2
32	412007	Inlet Port	4"	1
33	SF069300	Pan Head Flange Bolt	M6 x 12	4
34	423968	Ring Clamp	4"	1
35	612095	Hanger		2
36	TS-1540041	Hex Nut	M6	2
37	612085	Collector Bag		1
38	150527	Sponge		2
39	620015	Washer	M10 x 20	1
40	TS-1551071	Lock Washer	M10	1

Sander Assembly Breakdown

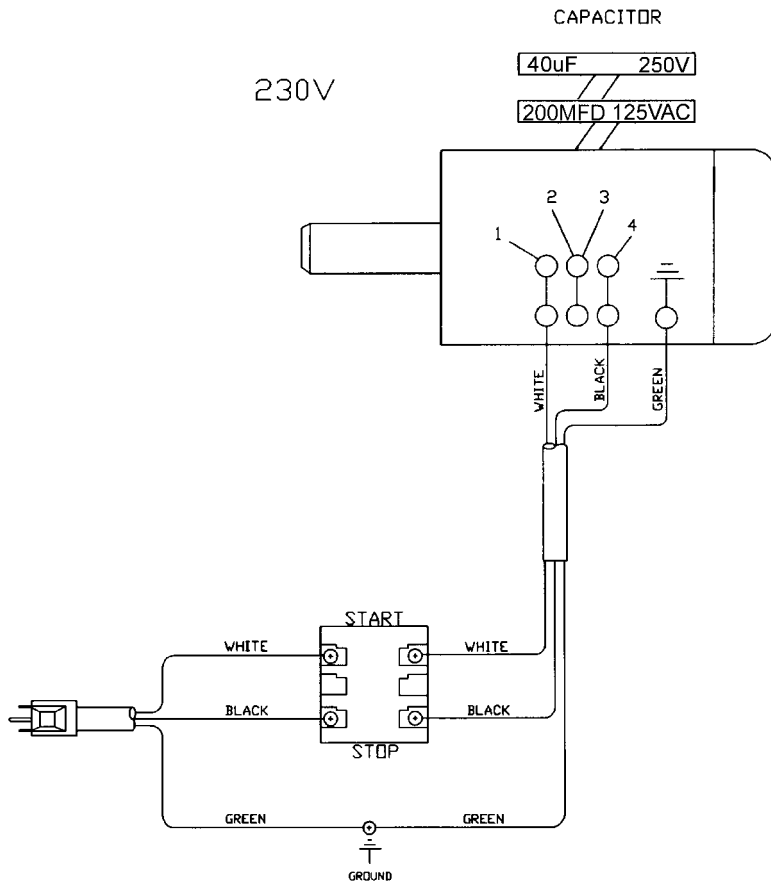
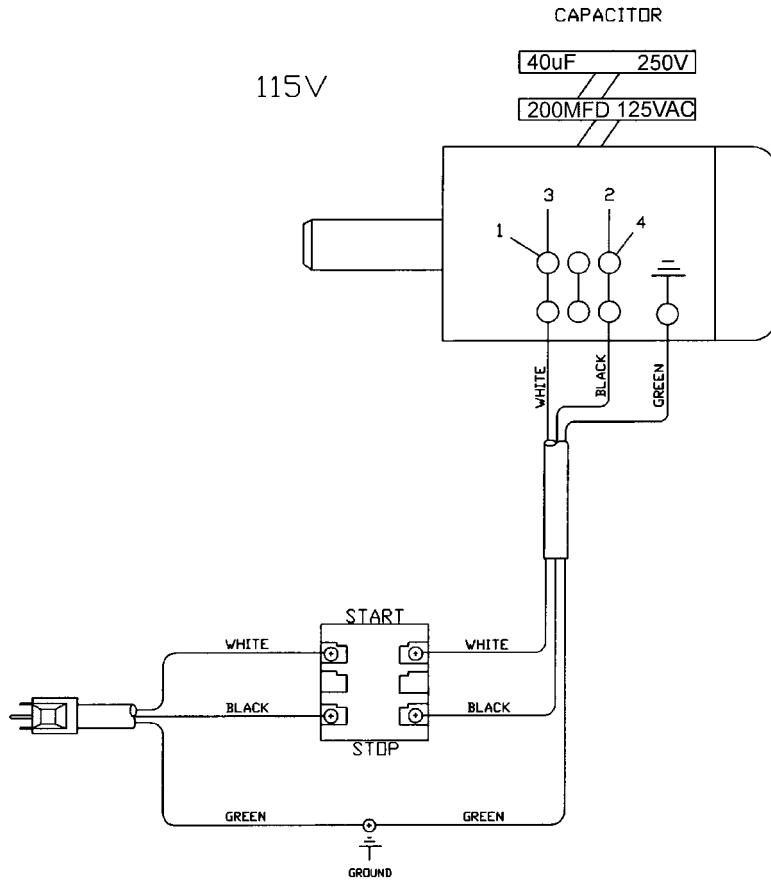


Parts List for PDS-12CS Sander Assembly

Index No.	Part No.	Description	Size	Qty
1	612111	Base		1
2	TS-1505051	Socket Head Cap Screw	M10 x 35	4
3	TS-1551071	Lock Washer	M10	4
4	TS-1550071	Flat Washer	M10 x 20	4
5	MA612002	Motor	1-1/2HP, 1 Ph, 60HZ	1
	PDS12CS-MFC	Motor Fan Cover (not shown)		1
	PDS12CS-MF	Motor Fan (not shown)		1
	PDS12CS-CS	Centrifugal Switch (not shown)		1
	PDS12CS-CC	Capacitor Cover (not shown)		1
	PDS12CS-JBC	Junction Box Cover (not shown)		1
	PDS12CS-SC	Starting Capacitor (not shown)	200MFD, 125VAC	
	PDS12CS-RC	Running Capacitor (not shown)	40uF, 250V	
6	411051	Switch Box		1
7	411053	Switch Plate		1
8	ST039304	Tapping Screw	M3.5x12 (AB)	6
9	SP059400	Pan Head Screw	M5 x 16	1
10	WE050000	Star Washer	M5	1
11	NF050800	Hex Flange Nut	M5	2
12	994505	Switch		1
13	SP059300	Pan Head Screw	M5 x 12	2
14	998621	Strain Relief		1
15	IC314101	Power Cord		1
16	TS-1490041	Cap Screw	M8 x 25	4
17	TS-1551061	Lock Washer	M8	4
18	TS-1550061	Flat Washer	M8 x 12	4
19	KD050535	Key	5 x 5 x 35	1
20	612114	Disc Guard		1
21	SJ080400	Pan Head Bolt	M8 x 20	4
22	612104	Pulley		1
23	VB-A39	V-Belt	A39	1
24	TS-1523031	Set Screw	M6 x 8	1
25	612120	Sanding Disc		1
26	612113	Washer		1
27	SM089400	Countersunk Head Bolt	M8 x 16	1
28	57698525	12" Disc Sanding Paper 36 Grit		25
	57698650	12" Disc Sanding Paper 50 Grit		50
	57698750	12" Disc Sanding Paper 60 Grit		50
	57698850	12" Disc Sanding Paper 80 Grit		50
	57698950	12" Disc Sanding Paper 100 Grit		50
	57699050	12" Disc Sanding Paper 120 Grit		50
29	612118	Brake Base		1
30	SP040200	Pan Head Bolt	M4 x 10	3
31	612116	Brake		1
32	PS042600	Spring Pin	4 x 26	1
33	612115	Stop Handle		1
34	612140	Spring		1
35	TS-1550031	Flat Washer	M5 x 12	1
36	612084	Front Cover		1
37	SF069200	Pan Head Flange Bolt	M6 x 8	2
38	150031	Pin		3
39	612035	Stop Bracket		1
40	TS-1550061	Flat Washer	M8 x 18	1

Index No.	Part No.	Description	Size	Qty
41	TS-1551061	Lock Washer	M8	1
42	TS-1490041	Cap Screw	M8 x 25	1
43	612010	Locating Block		1
44	TS-1540041	Nut	M6	1
45	TS-1523071	Set Screw	M6 x 25	1
46	PS052500	Spring Pin	5 x 25	1
47	612135-1	Table		1
48	612046	Trunnion		2
49	TS-1551061	Lock Washer	M8	4
50	TS-1490021	Cap Screw	M8 x 16	4
51	612054	Table Bracket		1
52	PS063000	Spring Pin	6 x 30	4
53	612038	Trunnion Holder (A)		1
54	612098	Knob	M8	2
55	SH081100	Hex Head Bolt	M8 x 55	2
56	TS-1540061	Nut	M8	1
57	TS-1504041	Socket Head Cap Screw	M8 x 20	1
58	TS-1550061	Flat Washer	M8 x 18	2
59	612052	Trunnion Holder (B)		1
60	612037	Table Bracket		1
61	TS-1490021	Cap Screw	M8 x 16	4
62	TS-1551061	Spring Washer	M8	4
63	TS-1550061	Flat Washer	8 x 18	4
64	150031	Pin		2
65	AB612143	Circle Gauge Assembly		1
66	AB612148	Miter Gauge Assembly		1
67	TS-1551061	Lock Washer	M8	4
68	TS-1551021	Lock Washer	M4	2
69	TS-1503041	Socket Head Cap Screw	M6 x 16	1
70	TS-1540041	Hex Nut	M6	1
71	L200000	Elastic		1
72	612171	Filler Bar		1
73	TS-1502011	Socket Head Cap Screw	M5x8	1
*	PDS12CS-HK	Hardware Kit (not shown)		
	PDS12CS-WL	Warning Label (not shown)		
	PDS12CS-ID	I.D. Label (not shown)		
	PDS12CS-JL	Powermatic Label (not shown)		

Wiring Diagram



Free Manuals Download Website

<http://myh66.com>

<http://usermanuals.us>

<http://www.somanuals.com>

<http://www.4manuals.cc>

<http://www.manual-lib.com>

<http://www.404manual.com>

<http://www.luxmanual.com>

<http://aubethermostatmanual.com>

Golf course search by state

<http://golfingnear.com>

Email search by domain

<http://emailbydomain.com>

Auto manuals search

<http://auto.somanuals.com>

TV manuals search

<http://tv.somanuals.com>