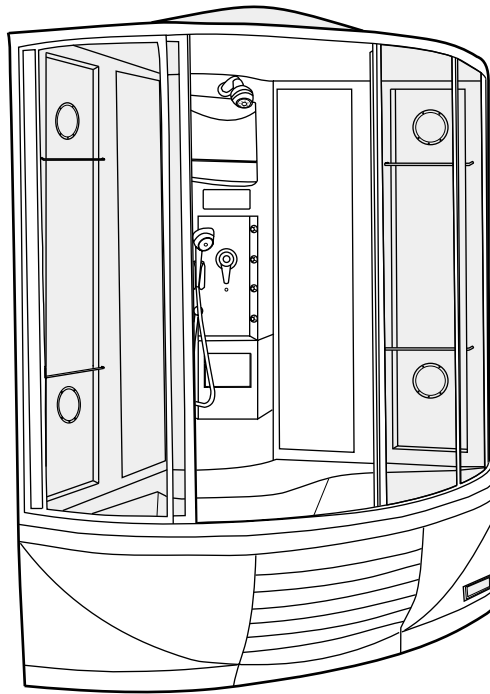


J-ALLURE™

Luxury Bathing and Entertainment System

Installation & Operation Instructions



IMPORTANT SAFETY INFORMATION

READ ALL INSTRUCTIONS BEFORE BEGINNING ASSEMBLY AND INSTALLATION.

SUMMARY OF PRECAUTIONS

- Suction cover must be in place at all times to minimize the potential for hair and body entrapment.
- Keep body and hair a minimum of 6" away from suction fitting at all times when the whirlpool system is operating. Hair longer than shoulder length should be secured close to the head.
- Other than those built into this unit, never operate electrical appliances (hairdryer, telephone, television, radio etc.) inside or within 5 feet of the bath.
- Never leave small children unattended in the bath.
- Do not use oil-based bath additives in your whirlpool bath.
- When cleaning your bath, do not use abrasive substances which will damage the bath's surface.
- A **maximum** water temperature of 104°F is recommended. Bathing at temperatures above 104°F for prolonged periods can be injurious to health.
- To prevent discoloration of the acrylic finish, do not fill the bath with water in excess of 140°F.
- The whirlpool system should be purged at least twice a month. For your convenience, we have developed a plumbing system cleaner (**Systems Clean™**) specifically for whirlpool baths. For availability call 1-800-288-4002.

IMPORTANT SAFETY INSTRUCTIONS

WARNING: When using this unit, basic precautions should always be followed, including the following:

Read and follow all instructions.

DANGER: to reduce the risk of injury, do not permit children to use this unit unless they are closely supervised at all times.

Use this unit only for its intended purpose as described in this manual. Do not use attachments not recommended by the manufacturer.

Never drop or insert any object into any opening.

Do not operate this unit without the suction cover in place.

This unit must be connected only to supply circuits that are protected by a ground fault circuit interrupter (GFCI). Such a GFCI should be provided by the installer and should be tested on a routine basis. To test the GFCI, push the test button. The GFCI should interrupt power. Push the reset button. Power should be restored. If the GFCI fails to operate in this manner, there is a ground current flowing, indicating a possibility of an electric shock. Do not use the unit. Disconnect the unit and have the problem corrected by a qualified electrician before using.

A pressure wire connector is provided on the exterior of the motor to permit connection of an No. 8 AWG (8.4 mm) solid copper bonding conductor between this unit and all other electric equipment and exposed metal in the vicinity, as needed to comply with local requirements.

WARNING: When using electrical products, basic precautions should always be followed including the following:

DANGER: RISK OF ELECTRIC SHOCK. Connect only to a circuit protected by a ground fault circuit interrupter.

Grounding is required. This unit should be installed and grounded by a qualified electrician.

Install to permit access for servicing.

Note: This is a professional grade product. A good knowledge of construction techniques, plumbing and electrical installation according to codes are required for proper installation and user satisfaction. We recommend that a licensed contractor perform the installation of all Jacuzzi Whirlpool Bath products. Our warranty does not cover improper installation related problems.

Options

Trim Kits (P412827 Chrome, P412898 Brushed Chrome, P412828 Gold, P412829 Bright Brass, P413827 Chrome, P413898 Brushed Chrome, P413828 Gold, P413829 Bright Brass)

Drain Kits (8730827 Chrome, 8730898 Brushed Chrome, 8730828 Gold, 8730829 Bright Brass)

Contents

Specifications _____	2
Hardware _____	3
Framing and Support _____	4
Rough-in Reference _____	5-7
Skirt Installation and Service Access _____	8-9
Electrical _____	9
Drain Information and Plumbing _____	9
Water Supply _____	10
Center Panel Installation _____	11-12
TV Installation (For units with TV) _____	13
Fixed Glass Panels Installation _____	14-15
Side Wall Installation _____	16
Caulking _____	17-18
Sliding Doors Installation _____	19
Dome Installation _____	20
Operation _____	21-23
Maintenance _____	24-26
Warranty _____	29-30

Important: Read complete instructions before beginning installation.

Each whirlpool bath arrives ready for installation, completely equipped with motor/pump assembly and plumbing and fittings necessary for whirlpool operation. The drain/overflow kit and faucet kit must be installed on the bath by the installer.

Remove the bath from the carton. Retain the shipping carton until satisfactory inspection of the product has been made. **Do not lift the bath by the plumbing at any time; handle by the shell or frame only.**

Immediately upon receipt, inspect the shell and walls before installing. Should inspection reveal any damage or defect in the finish, do not install the bath. Damage or defect to the finish claimed after the bath is installed is excluded from the warranty. Jacuzzi Whirlpool Bath's responsibility for shipping damage ceases upon delivery of the products in good order to the carrier. Refer any claims for damage to the carrier. For definitions of warranty coverage and limitations, refer to the warranty information.

All bath units are factory tested for proper operation and watertight connections prior to shipping. **Note: Prior to final installation, the bath must be filled with water and operated to check for leaks that may have resulted from shipping damage or mishandling.** Jacuzzi Whirlpool Bath is not responsible for any defect that could have been discovered, repaired, or avoided by following this inspection and testing procedure.

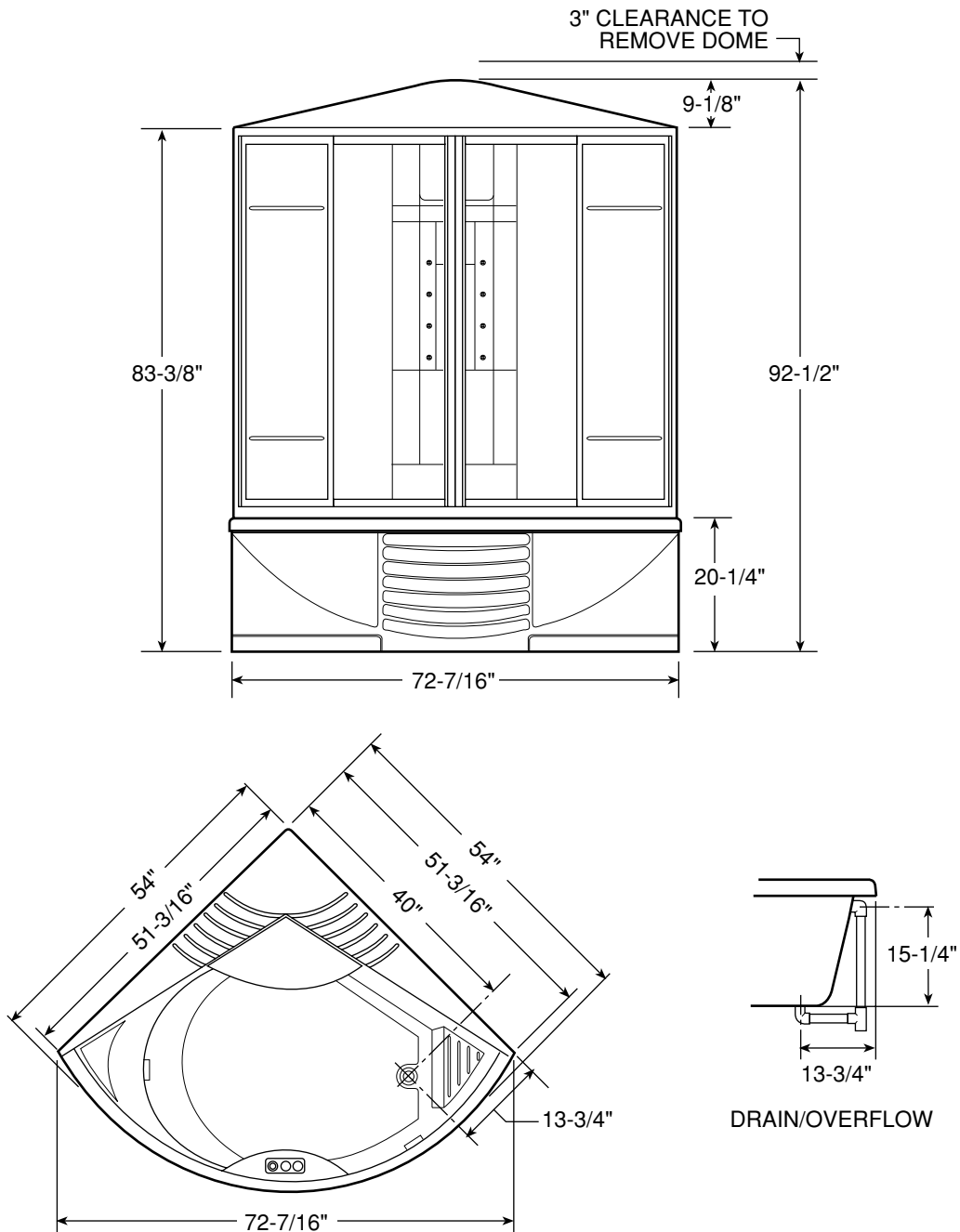
Save These Instructions for Future Use.

Date Purchased _____
Purchased From _____
Installed By _____
Serial Number _____

J-Allure

Specifications

DIMENSIONS	MOTOR/PUMP	FLOOR LOADING	OPERATING GALLONAGE (BATH)	REQUIRED WATER SUPPLY (SHOWER)	PRODUCT WEIGHT	ELECTRICAL REQUIREMENTS SHOWER	ELECTRICAL REQUIREMENTS BATH
54" (1372 mm) L	115 VAC 60 Hz	74 lb/sq. ft.	70 U.S. gal	3 gpm	521 lb	230 VAC 60 Hz.	115 VAC 60 Hz.
54" (1372 mm) W	10 Amp	(459kg/sq. m)	(265 liters)	(23 liter/min)	(235 kg)	20 Amp, 3 Wire	15 Amp
92-1/2" (2350 mm) H	3450 RPM			@ 30-65 psi		Single Phase	Single Phase
	Single phase			(1.4-4.6 Bar)		(Must be GFCI Protected)	(Must be GFCI Protected)



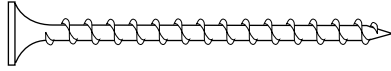
PRODUCT SPECIFICATIONS ARE SUBJECT TO CHANGE WITHOUT NOTICE.

J-Allure

HARDWARE

SKIRT

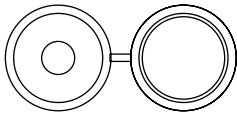
SCREW, DRYWALL
#8x 2, Quantity 4



SCREW, SHEETMETAL
#6x 1/2, Quantity 15

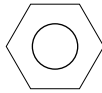


SCREW COVER
Quantity 4



CENTER PANEL

HEX NUT, Quantity 2



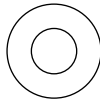
SCREW, M3.5X9.5, Quantity 6



WALL ANCHOR, Quantity 4



FLAT WASHER, Quantity 6



SCREW, M4.2X19, Quantity 6



SCREW, #8x 1, Quantity 4



GLASS ASSEMBLY

SCREW, M3.5X9.5, Quantity 4



SCREW, M3.9X22, Quantity 8



SCREW, M3.5X50,
Quantity 4



SCREW, M3.9X50, Quantity 6



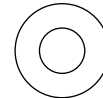
SET SCREW, M5X9.9, Quantity 4



ACORN NUT, M5, Quantity 4



FLAT WASHER, Quantity 2



EXTERNAL TOOTH
LOCK-WASHER
Quantity 6



SPACER, Quantity 4



WALL ANCHOR, Quantity 6



J-Allure

Framing and Support

The drain/overflow of the bath extends below the bottom of the bath. Note that this requires a cutout in the floor.

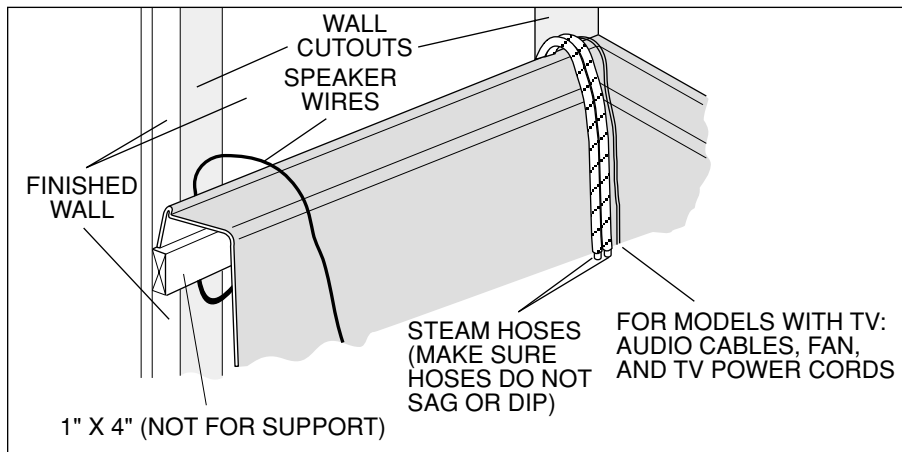
The floor structure beneath the bath must be able to support a total weight of approximately 94 lb/sq. ft. (bath, water, and bather). If the subfloor is level, no other preparation is necessary. You can proceed to install the bath. If the subfloor is not level, you **MUST** level the entire surface prior to installing the bath. (Use a floor leveling compound.) **Do not level bath with mortar.** Both sides of a joint or splice of subfloor should be level to each other.

Before final setting of the bath, route the steam hoses from under the shell through the cutout in the rim. Unwind the speaker wires from under the bath rim on both sides. When final setting, the speaker wires must be routed under the 1x4.

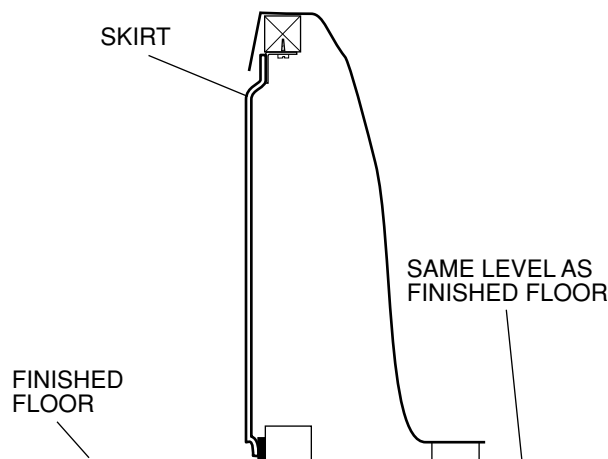
For units with TV, unwind audio cables, fan and TV power cords.

The protective film liner inside the bath should be left there to prevent damage to the finish from shoes, tools, etc. during installation and should not be removed until final cleanup.

Typical Installation



NOTE: Finished floor must be at the same level as the floor supporting the bath for the skirt to fit properly.

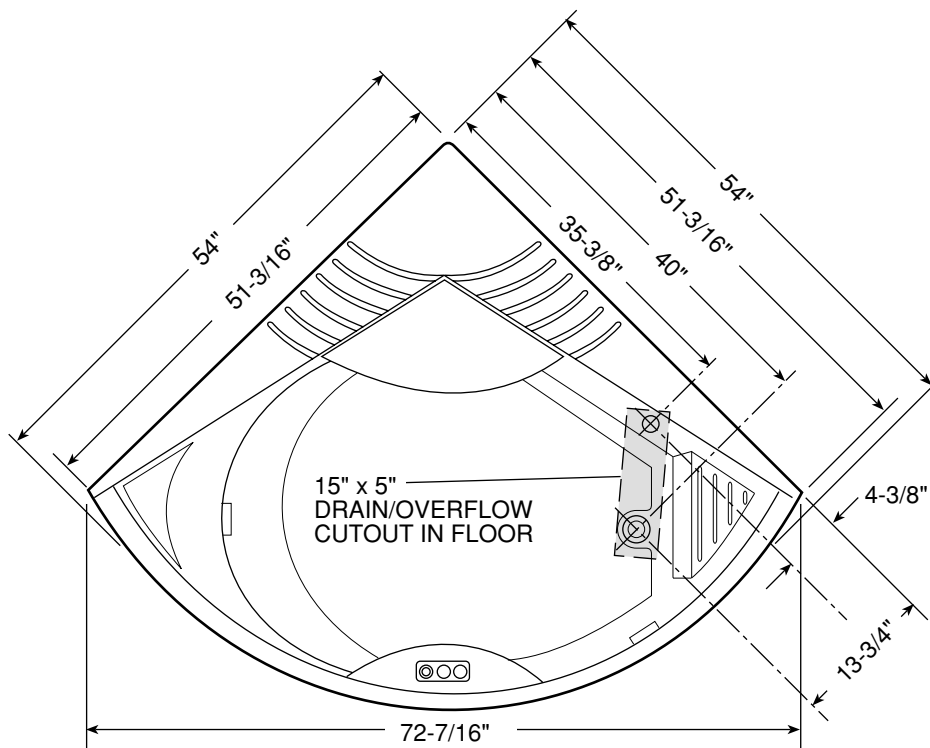


J-Allure

Rough-in

The installation requires three cutouts in the walls. Two cutouts allow room for the speakers. The third cutout is necessary to route water supply piping to the center panel, and to route hoses for the steam generators to the bath. The location of a 230VAC power outlet is indicated on the wall cutouts illustration.

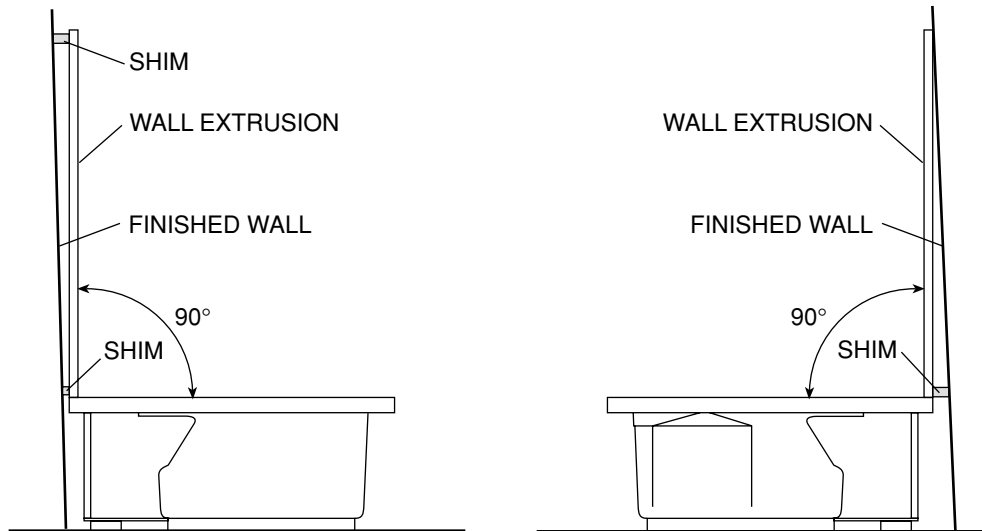
Rough-in Reference



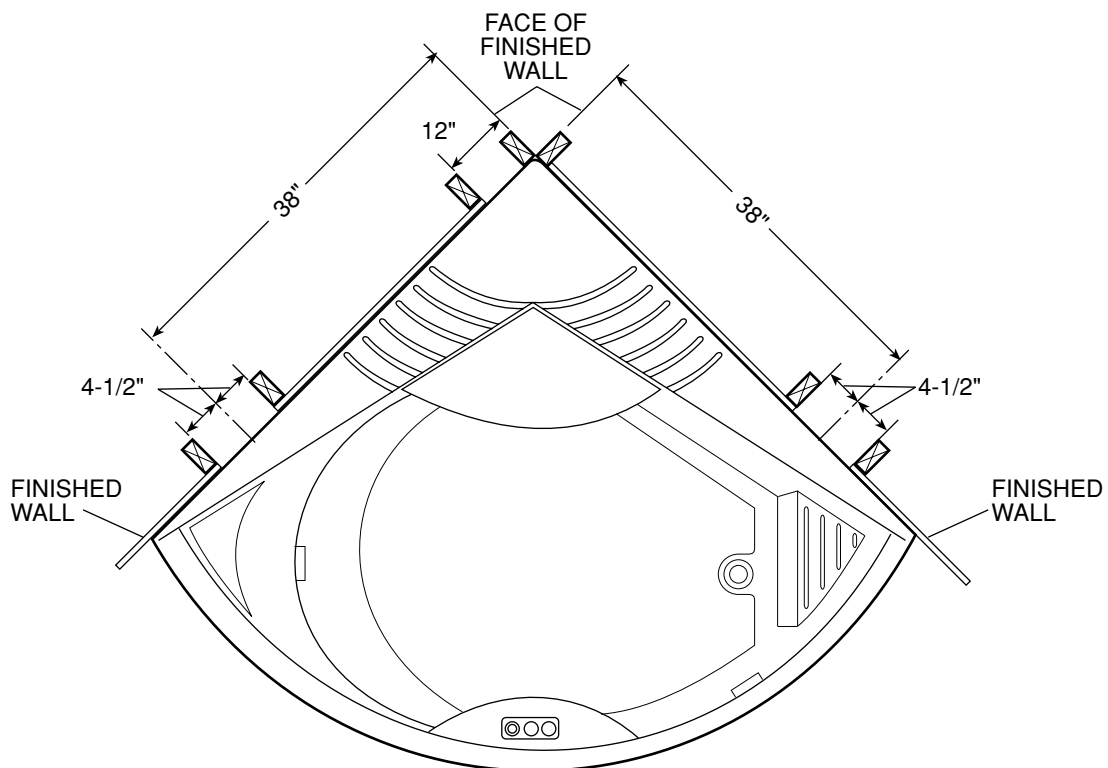
J-Allure

Finished Walls

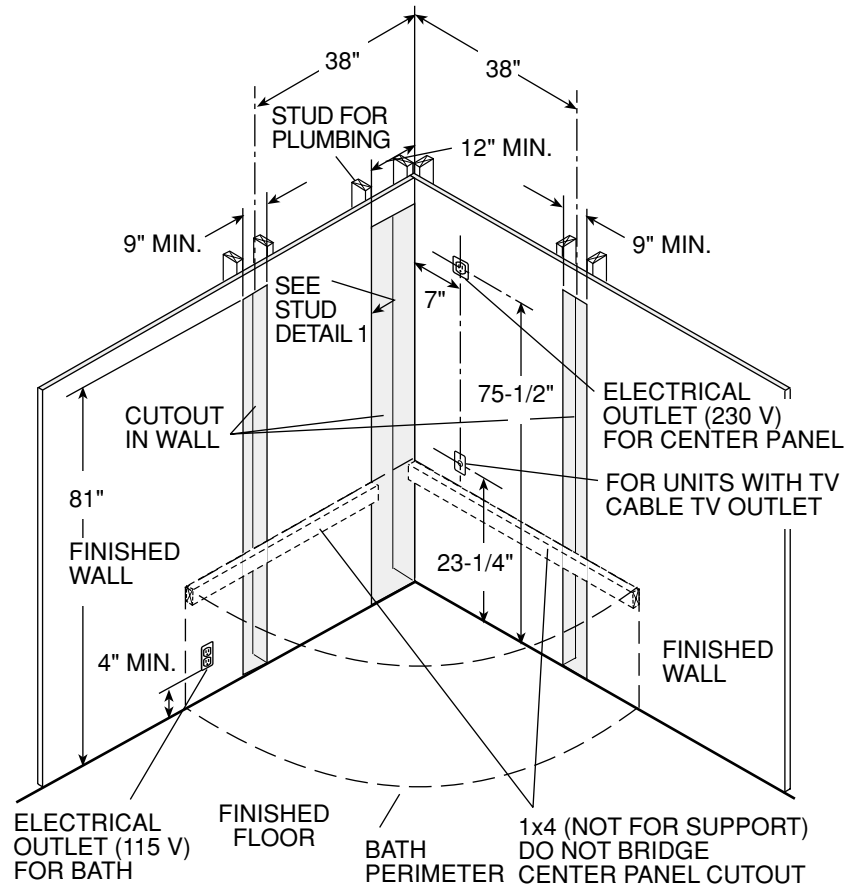
Before fixing the bath in place, make sure the finished walls above the rim of the bath are perpendicular. The two wall extrusions at the edges of the fixed panels will allow some compensation for walls out of true less than 3/16". (See fixed panels installation for wall extrusions.) If that is the case, the bath may be placed against the finished walls. If more than 3/16", shims will be necessary and the bath moved away from the wall an appropriate distance. When final setting of the bath, secure the metal straps attached to the bath to the floor with screws or anchors.



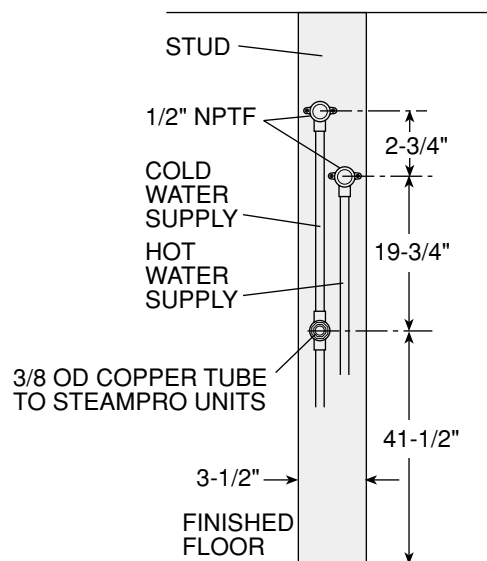
Wall Cutouts



Wall Cutouts



Suggested Rough-in Plumbing for Center Panel

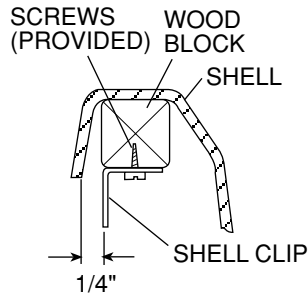


STUD DETAIL 1

J-Allure

Skirt Installation

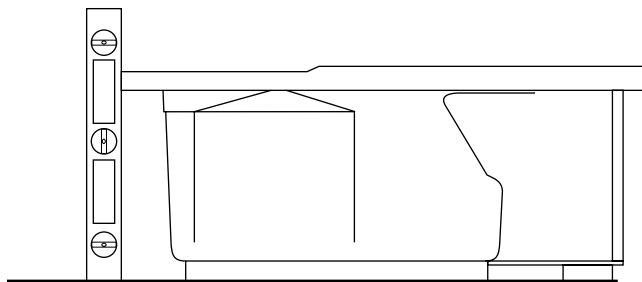
It is necessary to mount the skirt shell clips on the factory installed wood blocks located along the underside of the rim. Mark hole locations on the blocks using clips as a template for correct hole spacing. Then drill a pilot hole 1/2" deep using a 3/32" diameter drill. Use caution to avoid drilling through the bath rim. Secure the clips to the wooden blocks as shown.



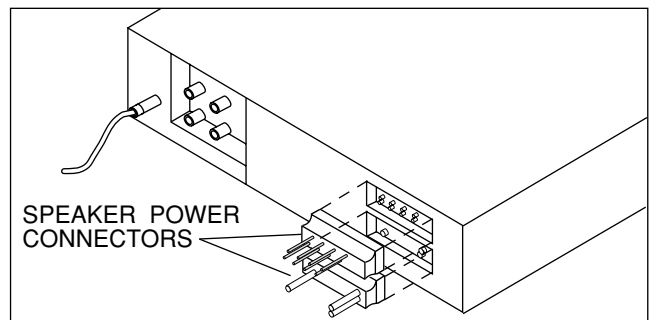
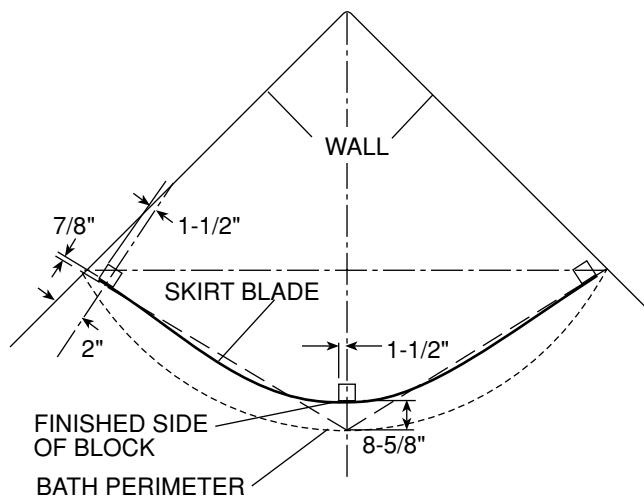
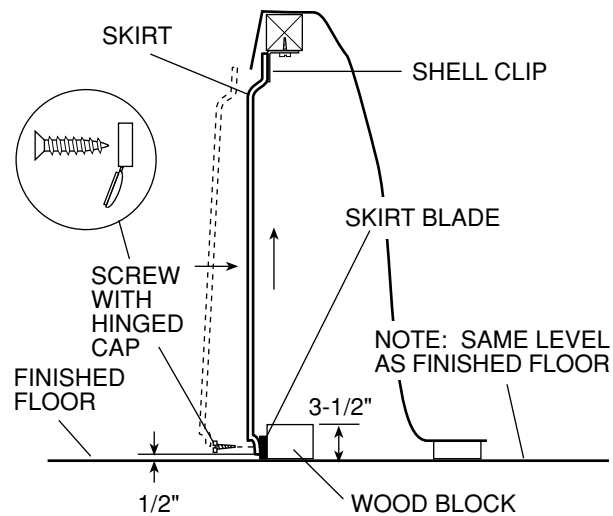
Using a square or level, determine the location of the vertical drop from the bath rim at both ends and the center of the bath. Locate the center wood block (provided) at the appropriate distance from the vertical drop, centering it lengthwise with relation to the rim of the bath. The faces of the side blocks (provided) will be oriented along a line from the center vertical drop point to the end vertical drop point. The blocks can be screwed, nailed or adhered with adhesive to the floor. Make sure the finished sides of blocks are outward. Glue the skirt blade (1-1/2" x 79-3/4" white acrylic strip) to the front of the wooden blocks.

Before attaching skirt, locate the CD/radio speaker and power connectors coiled under the bath rim. Uncoil and connect the speaker and power connectors to the CD/radio. Also locate the green ground wire and connect to the chassis of the CD /radio.

Slip the skirt up between the rim and the shell clips. While holding the skirt at the bottom, move it inward toward the bath. Lift it up so there is 1/2" gap between the floor and the bottom of the skirt. While using shims to hold the skirt up, attach the skirt to the skirt blade and wooden blocks with screws through the predrilled holes.



USING A SQUARE OR LEVEL, MARK THE PERIMETER OF THE BATH ON THE FLOOR



J-Allure

Service Access

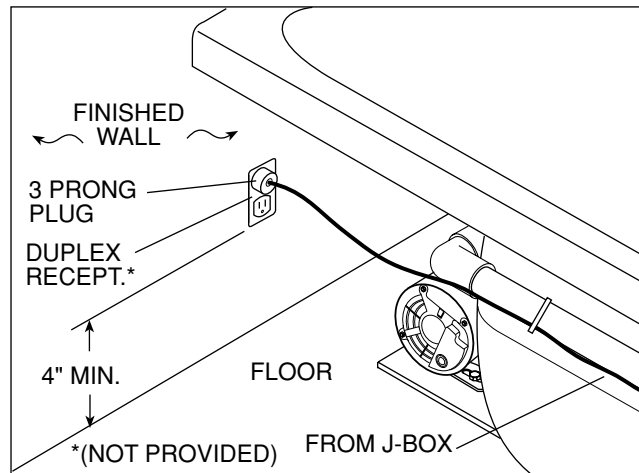
The skirt fits along the front of the bath and is an access panel for servicing. Allow a space of at least 8 inches away from the bath for skirt removal. To remove the skirt, remove the screws at the bottom of the skirt and withdraw the skirt.

Bath Electrical Connections

A separate circuit, which must be protected by a Ground Fault Circuit Interrupter (GFCI), is required. Install a duplex outlet (not provided) to the studwall underneath the bathtub, at least 4 inches above the floor.

CAUTION: Operating the motor/pump without enough water in the bath can cause leaking and permanent damage to the pump. Before power is applied to the installation, make sure the switch is in the OFF position to avoid pump damage.

DANGER: RISK OF ELECTRIC SHOCK. Connect only to a circuit protected by a Ground Fault Circuit Interrupter.



Drain Information

A drain/overflow assembly must be installed on the bath, water tested, and connected to the sanitary system of the house. After opening the carton, inspect for damage and verify that the kit is of the proper finish. In the Jacuzzi Whirlpool Bath drain/overflow kit, note that the waste flange, strainer, overflow cover and cover screws are packaged in a separate package within the kit to protect the trim finish. Follow the installation instructions provided with the drain/overflow kit.

After the drain is fully installed, test for proper drainage. If the unit does not drain properly, rectify this condition before proceeding with the installation. Jacuzzi Whirlpool bath is not responsible for removal and/or reinstallation costs.

NOTE: Watertight installation of the drain is the installer's responsibility. Drain leakage is excluded from the Jacuzzi Whirlpool Bath warranty of this product.

Plumbing

Pump, jets, and suction fittings for the whirlpool system are factory plumbed in schedule 40 PVC piping. All Jacuzzi Whirlpool Bath products are factory tested for proper operation and watertight connections prior to shipping.

Before securing the bath to the floor a test for possible water leaks must be made. Fill the bath and check for leaks. If leaks are detected, notify your Jacuzzi Whirlpool Bath Dealer. Do not install the unit.

J-Allure

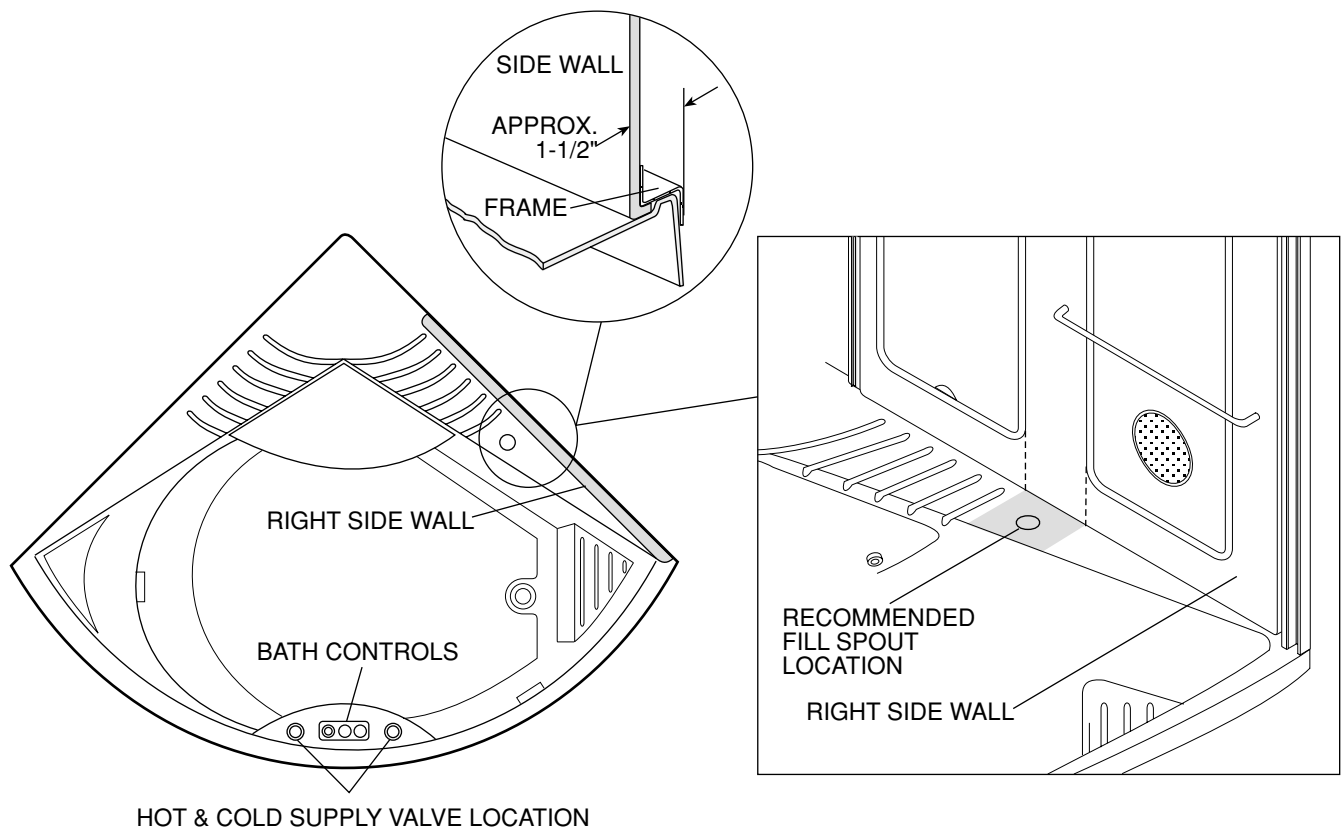
Water Supply

Consult local authorities for plumbing code requirements in your area.

IMPORTANT: Proper installation of the fill spout plumbing and compliance with local codes are the responsibility of the installer. Jacuzzi Whirlpool Bath does not warrant connections of water supply fittings and piping, fill systems, or drain/overflow systems. Nor is it responsible for damage to the bath which occurs during installation.

CAUTION: A nonflammable protective barrier must be placed between soldering work and bath unit to prevent damage to the bath.

Hot and Cold Supply Valve & Fill Spout Locations



Clean-Up After Installation

To avoid dulling and scratching the surface of the bath, never use abrasive cleaners. A mild liquid detergent and warm water will clean soiled surfaces.

Remove spilled plaster with a wood or plastic edge. Metal tools will scratch the surface. Spots left by plaster or grout can be removed if lightly rubbed with detergent on a damp cloth or sponge.

Paint, tar, or other difficult stains can be removed with paint thinner, turpentine, or isopropyl alcohol (rubbing alcohol).

Minor scratches which do not penetrate the color finish can be removed by lightly sanding with 600-grit wet/dry sandpaper. You can restore the glossy finish to the acrylic surface of the bath with a special compound, Meguiar's #10 Mirror Glaze. If that is not available, use automotive rubbing compound followed by an application of automotive paste wax.

Major scratches and gouges which penetrate the acrylic surface will require refinishing. Ask your Jacuzzi Whirlpool Bath dealer for special instructions.

J-Allure

Center Panel Installation

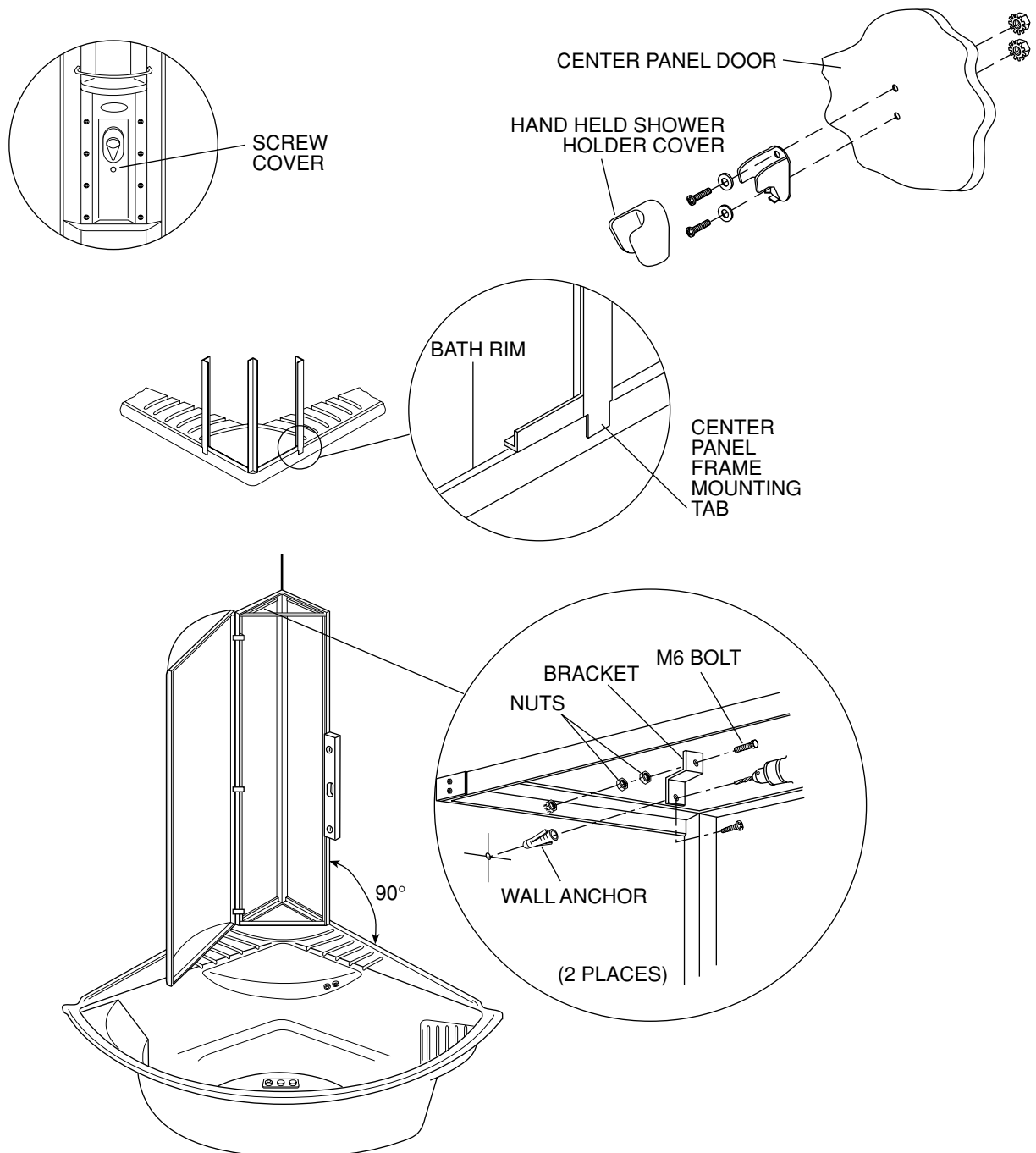
Connect the fixed male end of the flexible supply lines to the female supply connections in the wall cutout.

Position the center panel frame in the corner of the bath with the mounting tabs between the edge of the bath and wall.

To open the service door, remove the screw cover below the mixer handle and unscrew the exposed screw. To allow the center panel door to be opened wider, it may be necessary to remove the hand held shower holder as shown below. Open the door.

Unscrew the M6 bolt and install the two brackets. Check the plumbness with the two brackets touching the wall. If necessary adjust the nut till the center panel is perpendicular to the shell deck.

Using the holes in the brackets as a guide, drill two 3/16" holes. Secure the frame to the wall using the wall anchors and screws (#8x1"). Again check the plumbness and make sure the nuts are tight.



J-Allure

Center Panel Installation (cont.)

Connect the ends of the flexible supply lines with adaptors to the hot and cold connections of the mixer.

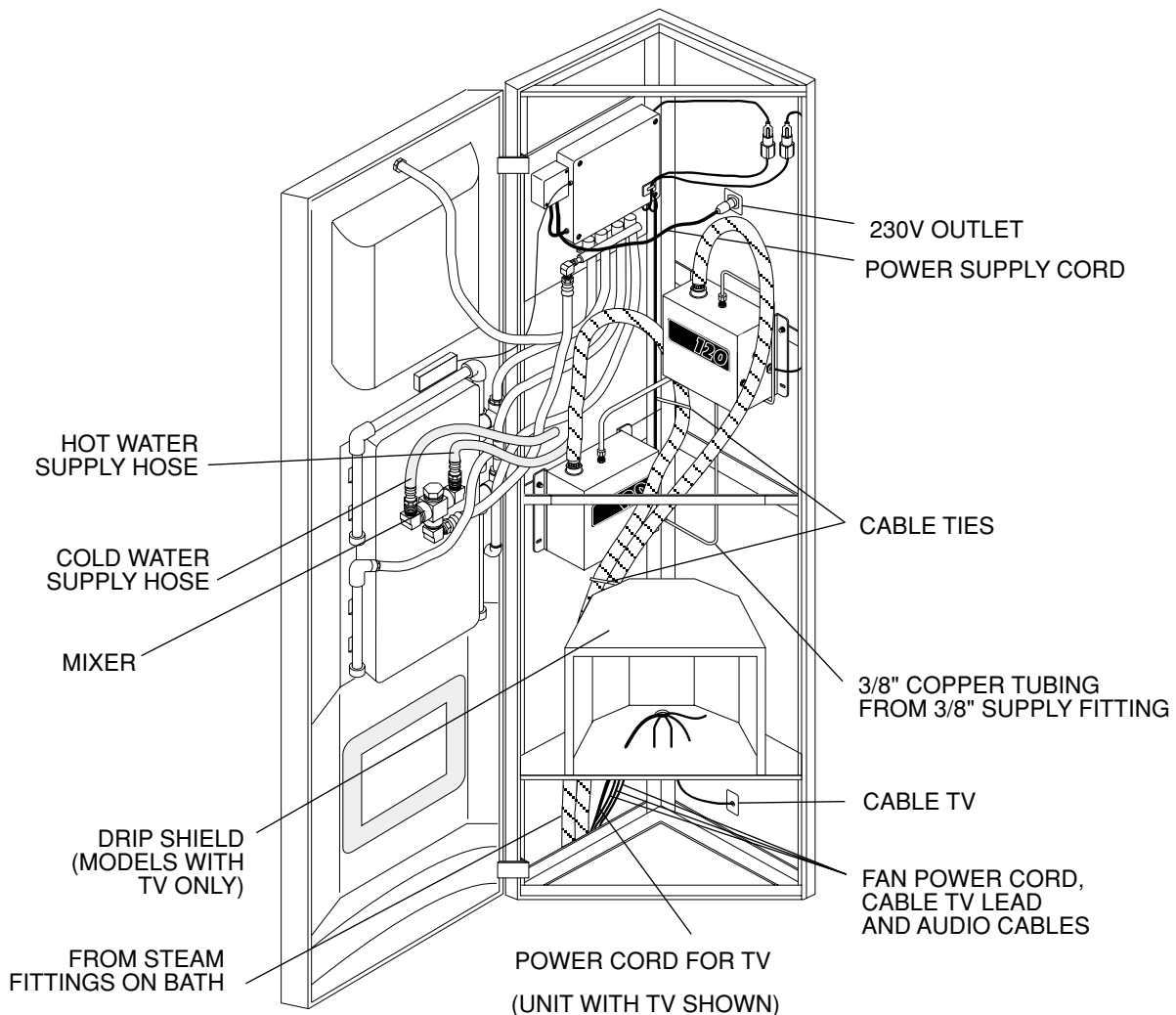
The steam lines are to be routed in such a way that they travel up from the steam generators and down to the steam heads. Using cable ties, tie up the steam lines so there are no kinks or low spots that may trap water. **(Do NOT operate the steam generators without the water supply ON as permanent damage to the generators will occur.)** Connect the steam lines to the generators using hose clamps.

For units with TV, insert audio cables, cable TV lead, fan and TV power cords through the hole in drip shield.

Plug the power cord into the 230 VAC outlet installed previously as shown in the rough-in section.

DANGER: RISK OF ELECTRIC SHOCK. Connect only to a circuit protected by a Ground Fault Circuit Interrupter.

Reinstall hand held shower holder if removed. Apply sealant to mounting holes if holder was removed completely.

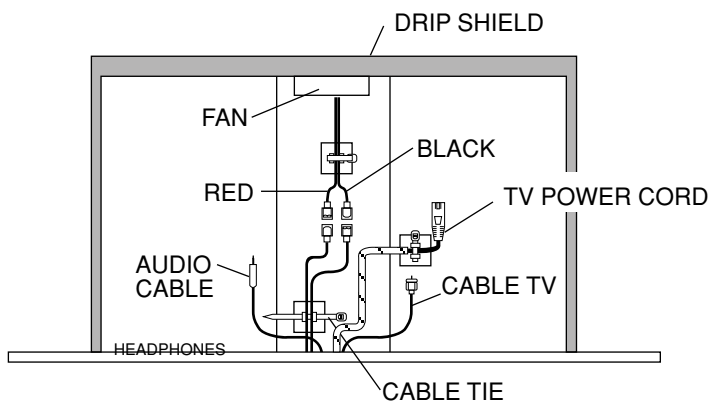


J-Allure

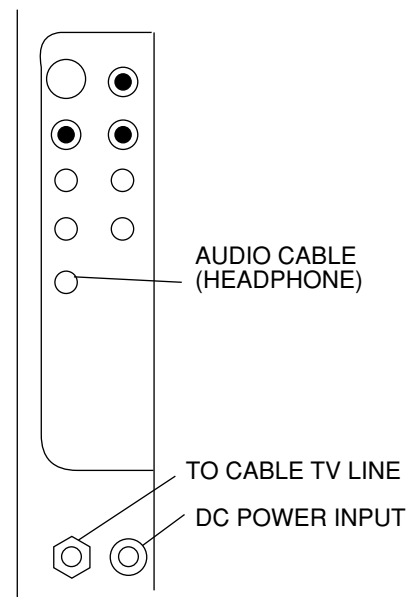
TV Installation (Units with TV)

Remove drip shield. Connect power cord, audio cable antenna/cable TV. Hook up fan power lines with red to red and black to black wires. Tighten cable tie and cut off excess. Tighten cable tie with anchor (not supplied) to the TV power cord. It is not necessary to attach anchor to drip shield; the cable tie and anchor are used to ensure the TV power cord remains inside drip shield. Position the drip shield over TV and secure. Close the door and make sure the sensor hole on the door aligns with the TV sensor. If they do not align, adjust the TV position till they are aligned. Secure the door. Reinstall hand held shower holder if removed. Apply sealant to mounting holes if holder was removed completely.

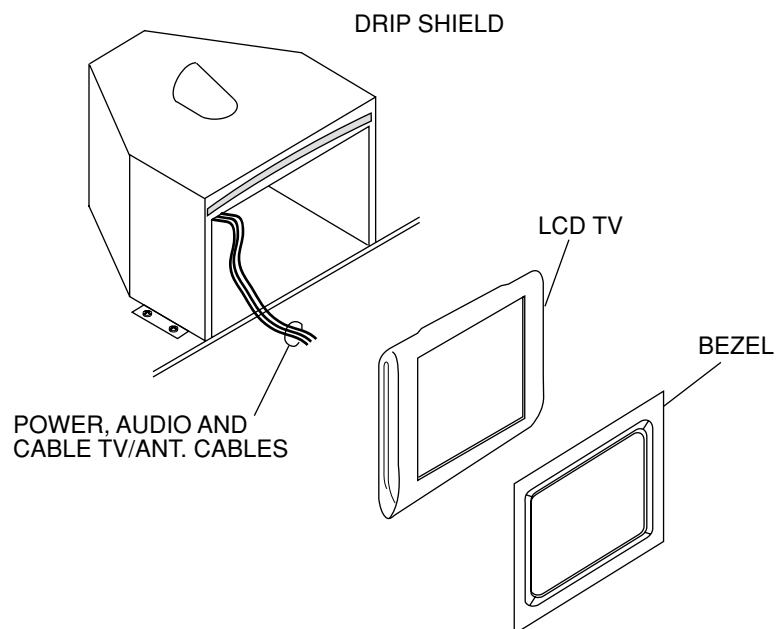
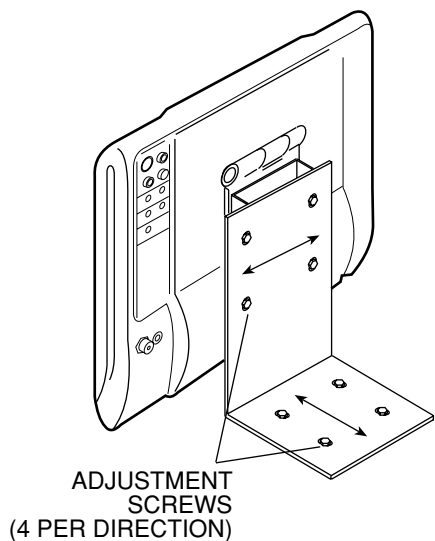
DRIP SHIELD WIRING



TV CONNECTIONS



IF THE TV HAS BEEN MOVED IN SHIPPING, LOOSEN ADJUSTMENT SCREWS AND ADJUST THE TV SO IT IS CENTERED IN WINDOW.

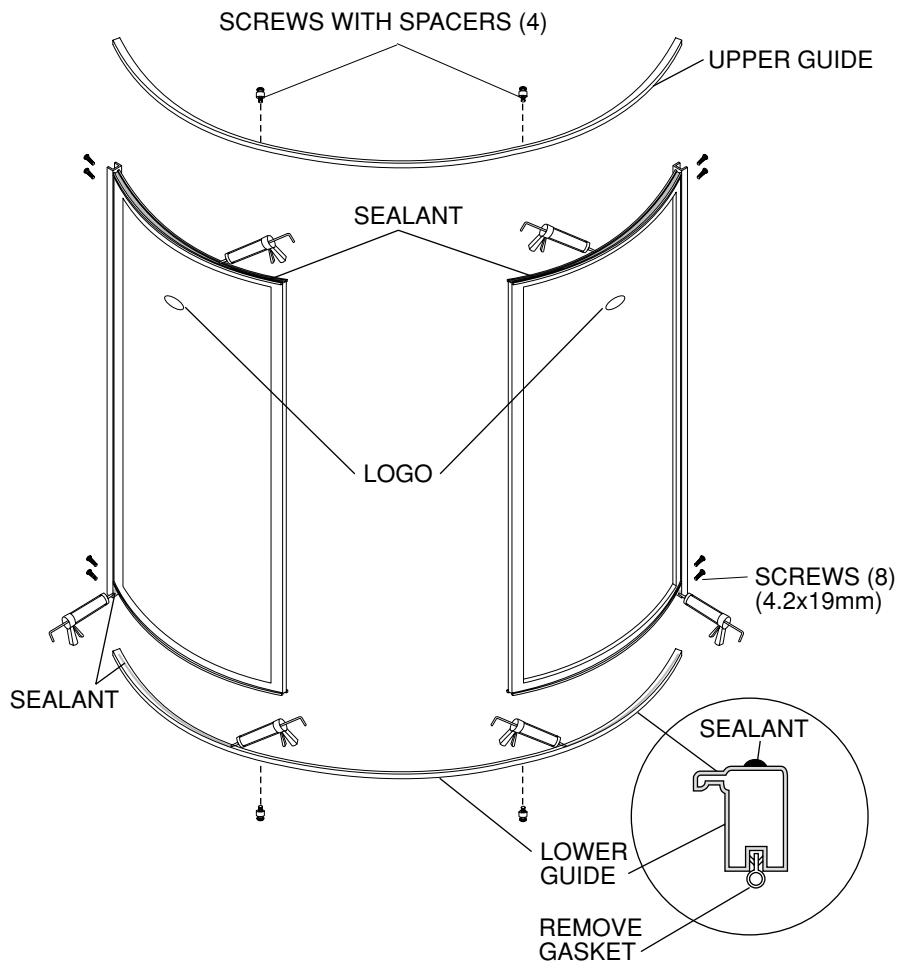


J-Allure

Fixed Panels Installation

Locate the guide with the gasket. This is the lower guide. Remove this gasket and install on the top guide. Position the lower guide on the two fixed panels while they are resting on the floor in an upside down position. Align the predrilled holes in the guide and panels and screw together with screws and spacers (3.5x45mm self-threading). Attach the external extrusion of the panels to the guide with 4.2x19mm self-threading screws. The right and left hand fixed panels are identified by the logo.

Invert the assembled components and install the upper guide following the same procedure as used with the lower guide. Caulk the top of each fixed panel.



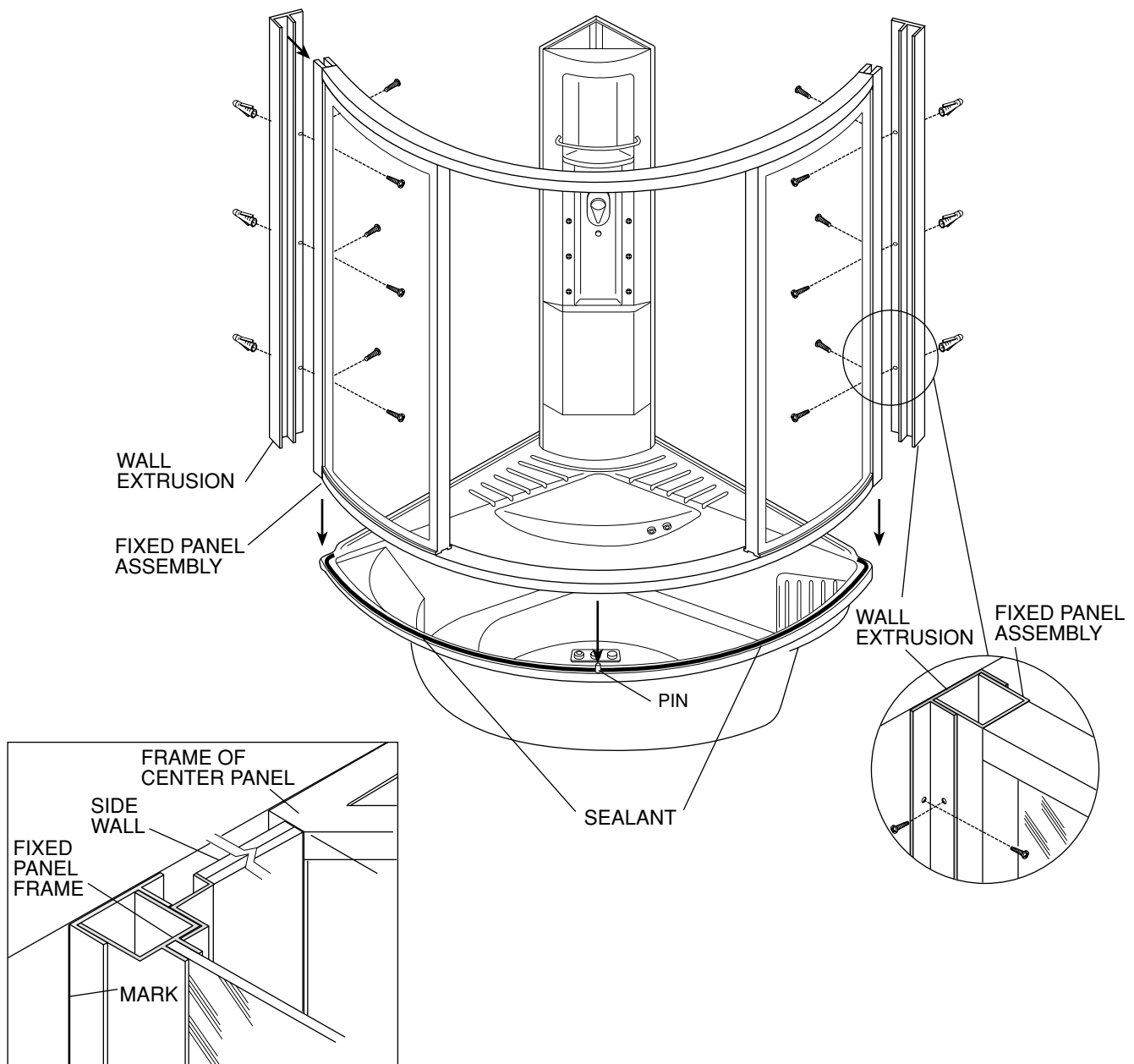
J-Allure

Fixed Panels Installation (cont.)

Install the two wall extrusions on the ends of the fixed panel assembly. Make sure they are flush against each fixed panel.

Where the fixed panel assembly will rest on the bath rim, apply sealant. Position the fixed panel assembly on the bath by inserting the pin into its seat on the lower guide. The curve of the fixed panel should match the curve of the bath. Lift left side wall through the open doors. Insert the 3 bolts (welded on the side wall frame) into the slotted holes in the center panel frame. Place the opposite side of the side wall against the fixed panel frame. Make sure the wall extrusion is against the wall. Check perpendicularity with a level. Mark this wall extrusion position. Remove left side wall and repeat the above steps for the right side wall. Remove this side wall and fixed panels assembly.

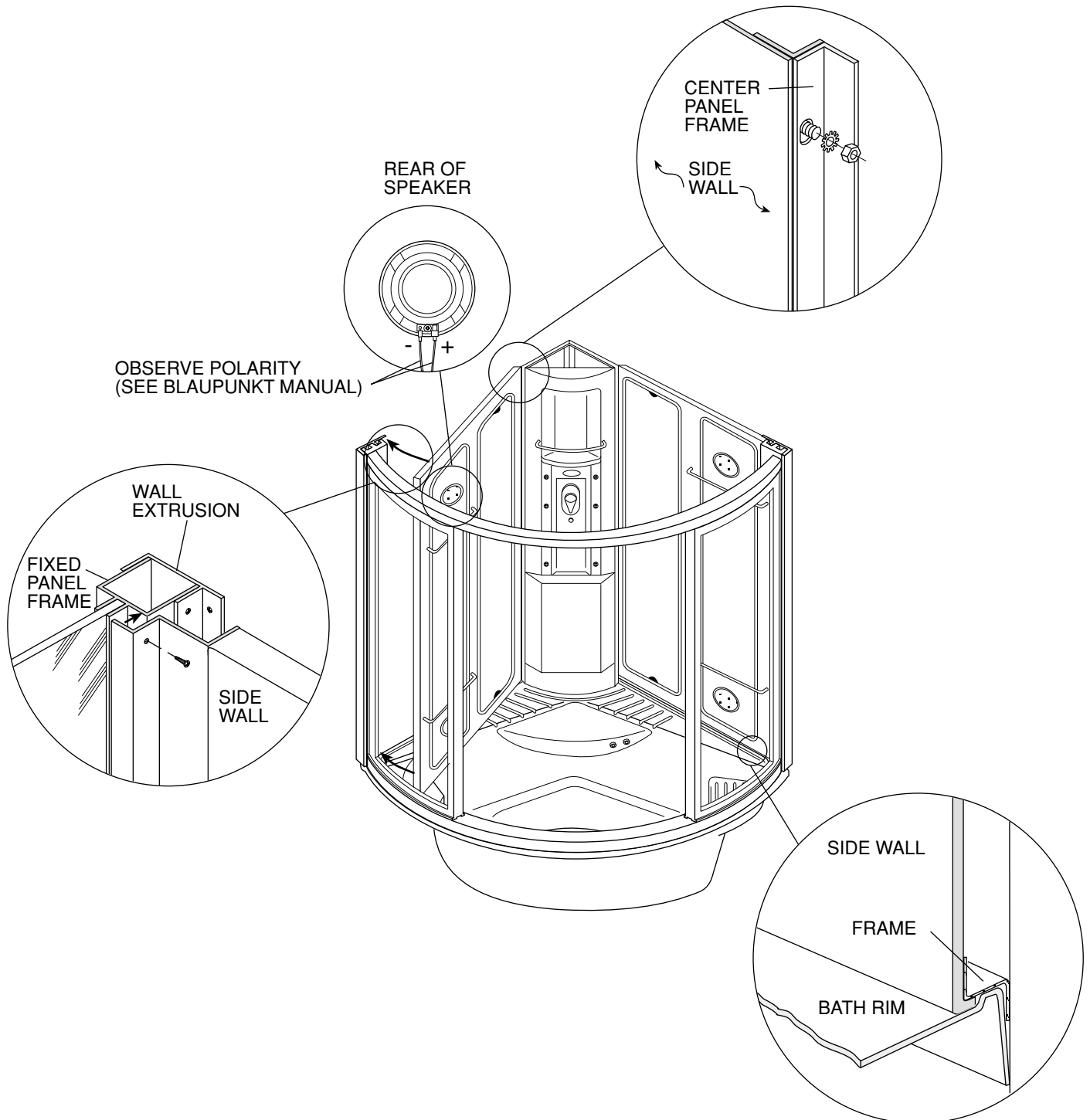
Using the 3 holes in each extrusion as a guide, drill three 15/64" holes into adjacent wall for each side. Attach the wall extrusions to the walls with the anchors and 3.5x32mm screws. Drill three 7/64" holes into the fixed panel frame using the wall extrusion holes as guides. Secure the panel frame to the wall extrusion with 3.5x9.5mm self-threading screws.



J-Allure

Side Walls Installation

Lift one of the side walls through the open doors. Reach under the bath rim and pull up the speaker wires. Hook up these wires observing the polarity as directed from the CD player manual. Then insert the 3 bolts into the slotted holes in the center panel frame. Place the opposite side of the side wall against the wall. Make sure the side wall matches the fixed panel. Set the side wall down onto the side of the bath so that the lower frame of the wall is inserted between the bath and the wall. Secure the side wall to the center panel frame with lock washers and M6 nuts. With the wall flush against the fixed panel, drill three 7/64" holes using holes in the wall frame as guides. (Be careful not to scratch the finish.) Secure the wall using 3.5x9.5mm self-threading screws. Repeat the same procedure for the other side wall. Close door and secure.

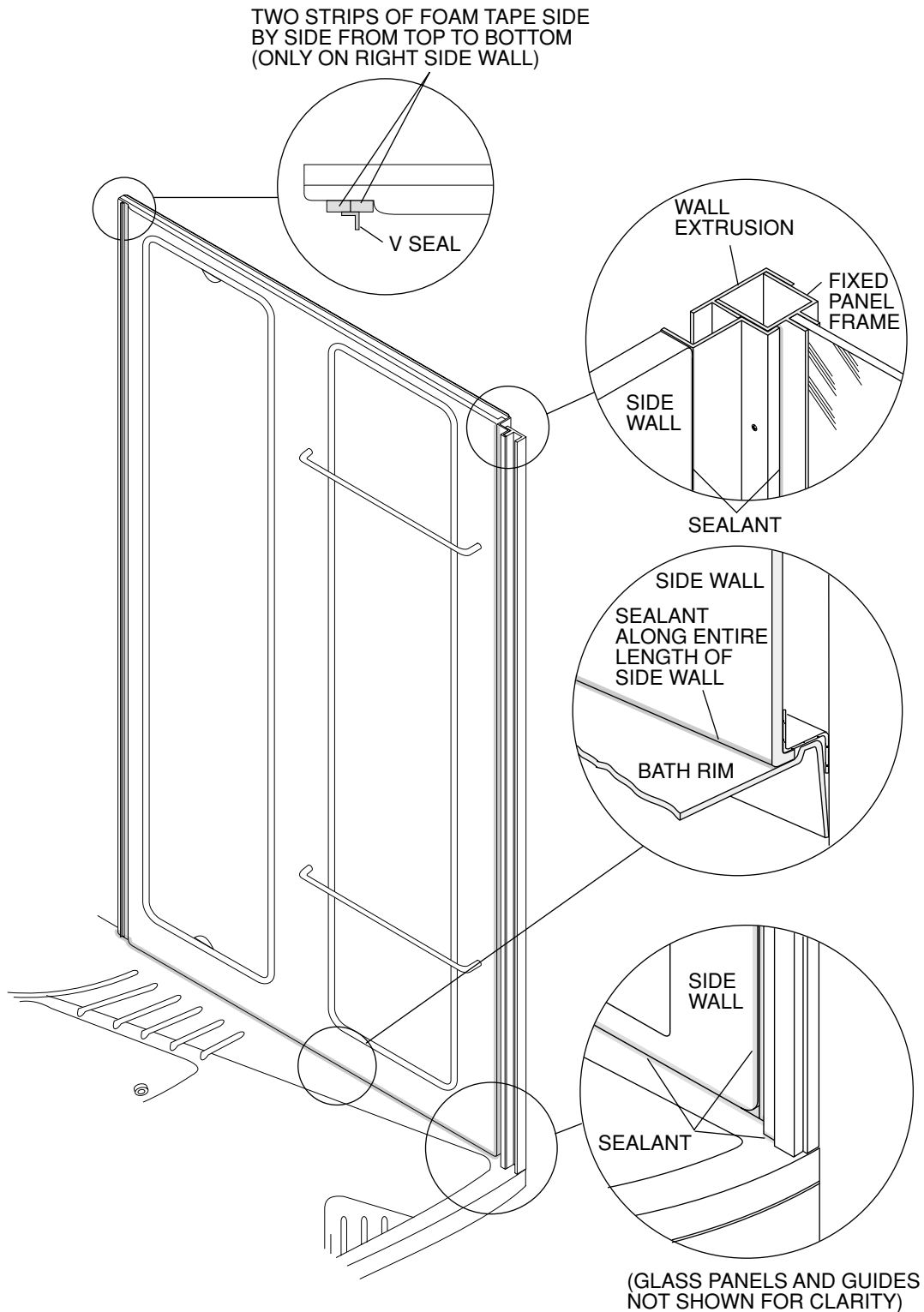


J-Allure

Side Walls Caulking

After the side walls are installed, they must be caulked with silicone sealant (not provided). Seal the entire length at the bottom and from the bottom to top where the side wall moulding meets the attached extrusion. Also caulk the joint between the side wall extrusion and the fixed panel frame.

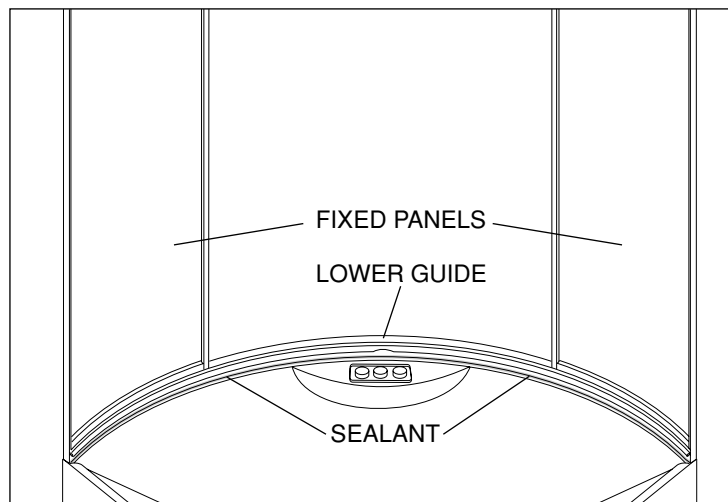
Apply the two foam tapes (provided) to side wall. The first tape will butt up against the curve of the side wall with the second tape against the first tape. Remove the facing paper from both. Install the V seal as shown so that it covers the joint between the foam tapes.



J-Allure

Inside Caulking

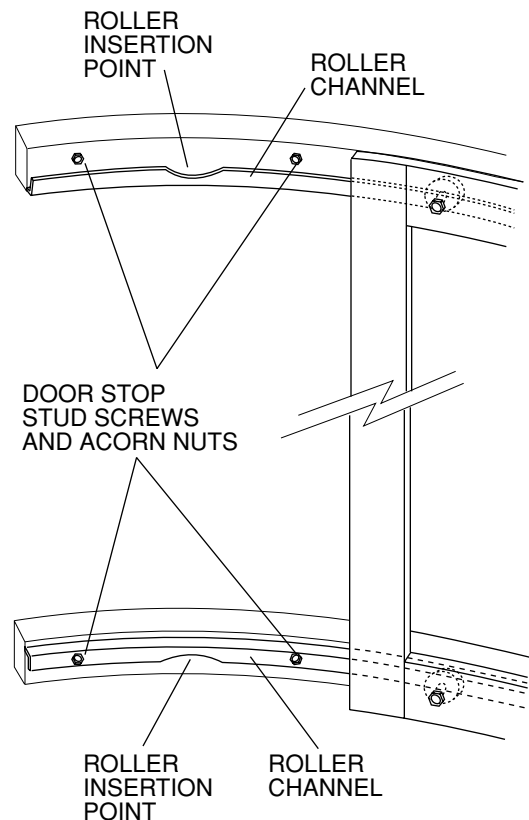
Caulk the joint between the lower guide and the bath.



J-Allure

Sliding Doors Installation

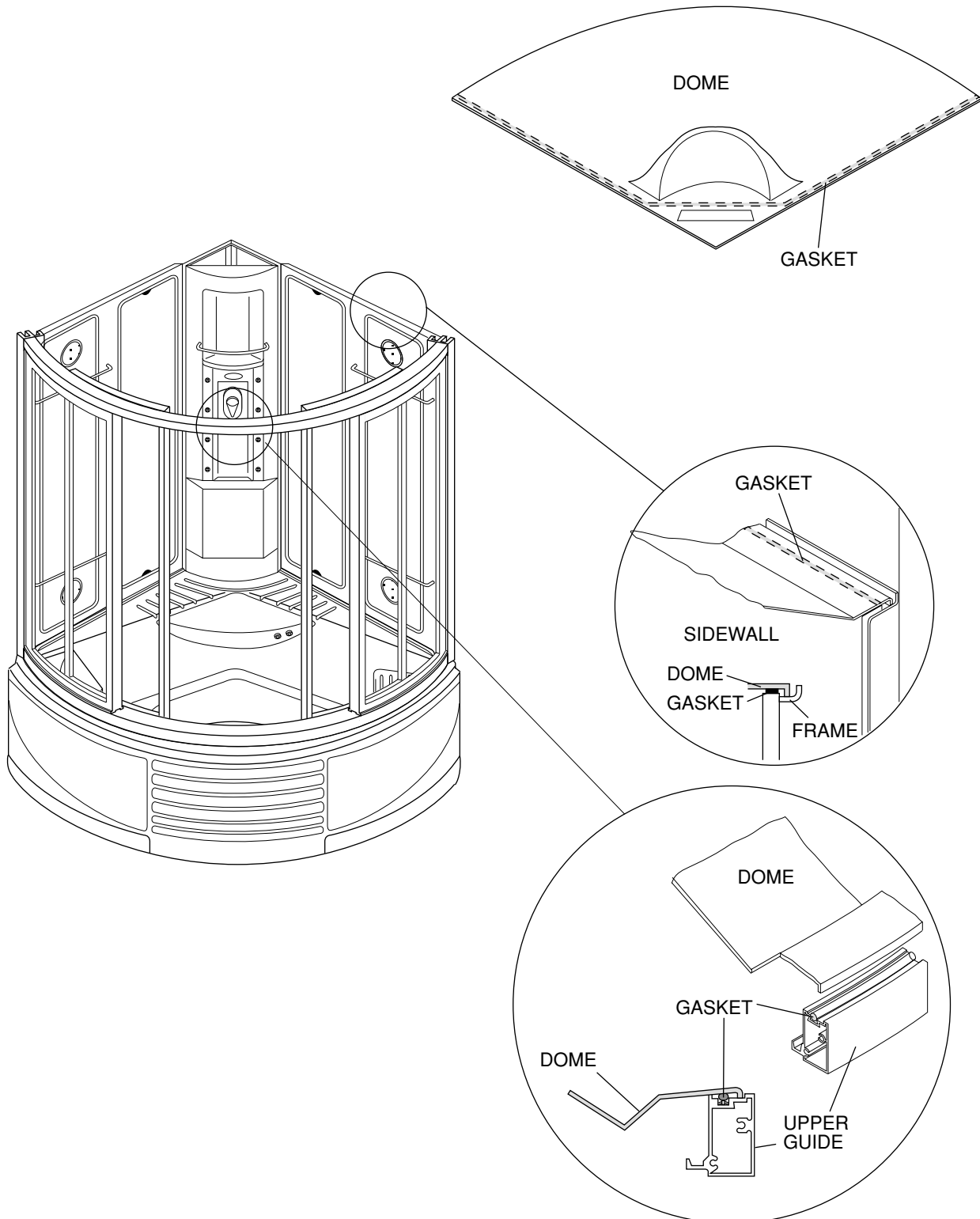
Take one of the doors inside the shower compartment. The upper rollers will be fixed while the bottom rollers will be loose. In a vertical position, insert the upper and lower rollers (at the same time) into the roller insertion point located at the center of the upper and lower guide. Slide the door toward the wall. Insert the remaining set of rollers. Making sure the bottom rollers are positioned in the bottom guide channel, lift them up and tighten the locking nuts. Confirm that the door slides smoothly without binding. Slide the door toward the wall and repeat the above steps for the other door. Adjust lower and upper rollers to align doors where they meet each other when closed. Insert the four M5 stud screws and M5 acorn nuts (door stops) into the threaded holes in the upper guide and tighten them.



J-Allure

Dome Installation

Apply gasket to dome as shown below. Note: there is no gasket on the dome where it rests on the upper guide. Then carefully lift the dome and place onto the corner panel, side walls and upper guide. Bring the edge of the dome in contact with the front part of the upper guide. Note the correct position of the dome on the upper guide and side walls as shown below.

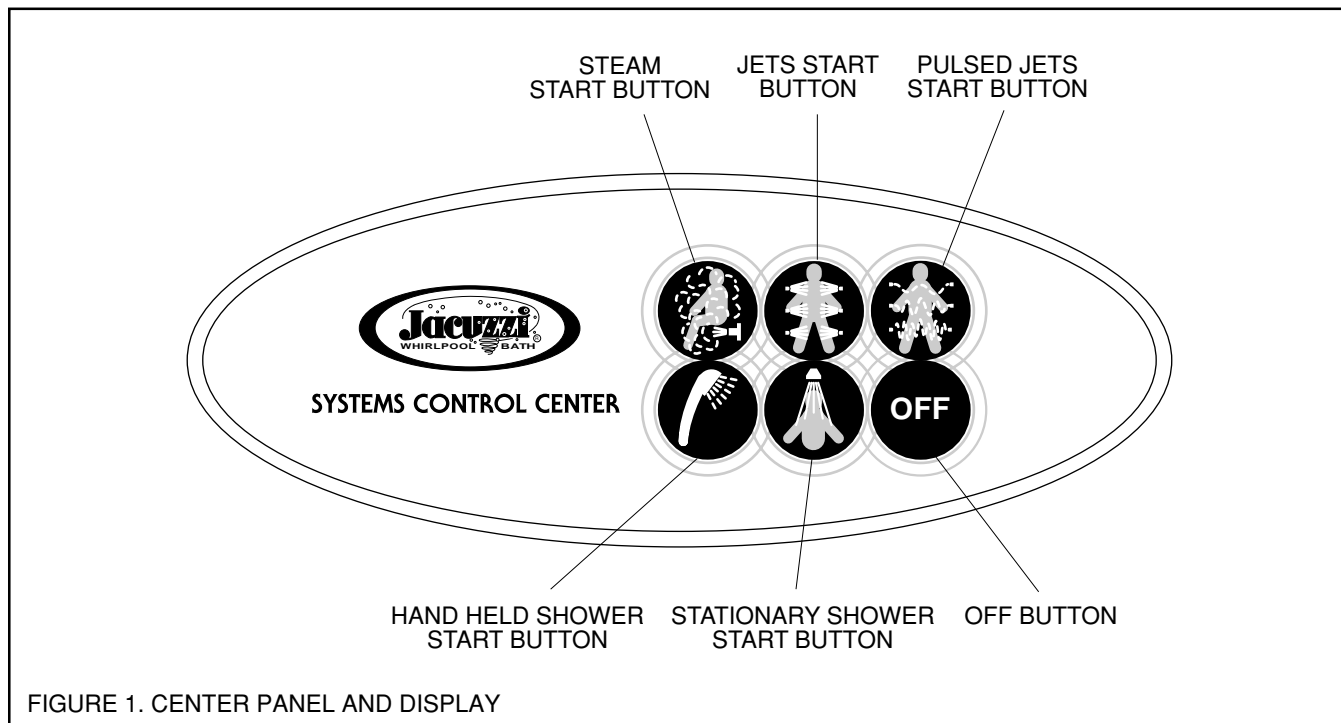


OPERATING INSTRUCTIONS

CENTER PANEL

System control is provided by the electronic display located on the center panel.

The display is used to start up the five functions of the unit: the hand held shower, the fixed shower, the hydromassage (all jets), hydromassage (pulsed jets), and the steam bath. The display is composed of clear symbols to identify the five functions.

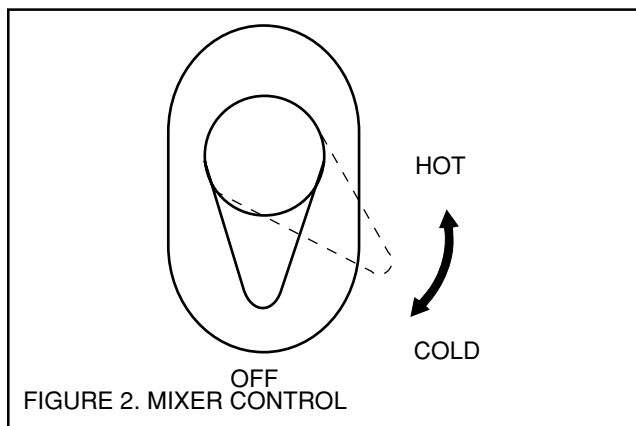


Starting Any Function

The mixer control valve must be ON for the functions of the center panel to be operational. After the mixer valve has been set and is ON, press any button to start that function. The steam function can be ON with any other function. Other functions can **only** be ON one at a time. Pressing the OFF button turns **all** functions OFF.

Mixer Control

To adjust the temperature turn the mixer handle as shown in Figure 2. When exiting the J-Allure with all functions OFF, the mixer control **must** be turned to the OFF position.



Hand Held Shower

Pressing the Hand Held Shower button once activates hand held shower and pressing a second time deactivates the shower. Pressing the OFF button or any other button will turn the shower mode OFF.

Stationary Shower

Pressing Stationary Shower button once activates the shower and pressing a second time deactivates the shower. Pressing the OFF button or any other button except steam will turn the shower mode OFF.

Starting the Hydromassage

The J-Allure allows you to enjoy the benefits of a real hydromassage. The hydromassage is created by the combined action of 8 water jets (two sets of four). The action of each group of four jets is either alternated or pulsed.

To start the hydromassage jets, press the JETS button once (Figure 1). This will activate the jets by alternating the sets of four jets. Pressing it a second time will pulse all eight jets. Pressing a third time turns the hydromassage OFF. While the hydromassage is in either mode, the PULSED JETS button may be pushed. Pressing this button once will increase the rate of the pulses from a default speed. Pressing a second and third time continues to increase the rate of pulsation. Pressing a fourth time reverts to the default rate. To stop the hydromassage in any mode, press the OFF button or any other button.

Starting the Steam Bath

Press the STEAM start button on the display (Figure 1). The steam function has a 60 minute cycle after which it turns off automatically. The steam bath can be turned off at any time by depressing the OFF button. **Do NOT operate the steam generators without the water supply ON as permanent damage to the generators will occur.**

Note: During steam bath operation, keep legs a distance of at least 3" away from the steam jets.

BATH OPERATION

Note: These instructions pertain to all bath products manufactured by Jacuzzi Whirlpool Bath. Not all features discussed in this instruction pamphlet apply to all baths.

All baths manufactured by Jacuzzi Whirlpool Bath are designed for "fill and drain," which means the bath should be drained after each use and filled with fresh water by the next bather. This is a health precaution, as these baths are not designed to hold water continuously like pools or spas. If you want a unit designed to continuously hold water, see your Jacuzzi Whirlpool Bath dealer for the complete line of whirlpool spas available.

Once the bath is installed, remove any residue or foreign materials left over from construction. Use turpentine or paint thinner to remove stubborn stains, paint or tar. Other dirt can be cleaned off with a mild liquid detergent on a damp cloth. Scrape off plaster with a wooden or plastic edge; **do not use metal scrapers, wire brushes or other metal tools, as they will damage the bath's surface.**

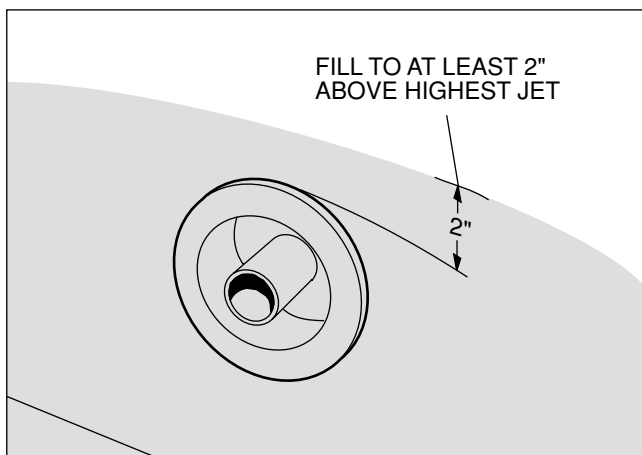
Water Level

Close the drain and fill the bath until water is at least 2" above the highest jet (see water line indicated in the illustration). **Do not turn on the whirlpool system at any time if the jets are not completely immersed in water.** Running the whirlpool system when there is insufficient water in the bath could result in water spraying outside the bath area. Running the whirlpool system without water will damage the recirculating pump.

Magic Touch® Whirlpool Switch

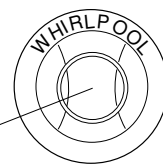
The Magic Touch whirlpool ON/OFF switch, conveniently located on the bath, allows you to turn the whirlpool system on and off while in the bath. Simply push down on the switch button to turn on the whirlpool system. To turn the system off, push down on the button again.

If your bath has an optional Jacuzzi Whirlpool Bath wall mounted timer, set it for the amount of time you wish the whirlpool to operate. Note: when you desire less than 10 minutes of whirlpool action, it is necessary to turn the timer knob clockwise past the number 10 and then back to the desired amount. If the whirlpool action does not begin when the timer is correctly set, it is necessary to push the Magic Touch switch button.



MAGIC TOUCH SWITCH

DEPRESS CENTER ON/OFF



Controlling Whirlpool Action

The whirlpool action in your bath is influenced by three factors – direction of flow, force of water, and force of air. All baths manufactured by Jacuzzi Whirlpool Bath are equipped with fully adjustable PowerPro® jets, which are adjustable for all three factors. Some baths have additional directionally adjustable jets which can be adjusted for direction and flow of air only.

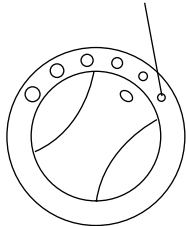
Direction: To change the direction of the water flow, swivel the jet nozzle to the desired angle. The jets can be directed individually toward any location on your body to provide a hydromassage. The jets can also be adjusted so that they all point in the same direction (clockwise or counterclockwise) to circulate the water in a circular motion around the bath, causing a total whirlpool effect.

Water Force: The high volume, fully adjustable jets can be adjusted to control the force of the water coming into the bath. For robust action, increase the force of the flow by rotating the jet handles to the left (counterclockwise). For a more gentle effect, rotate the handles to the right (clockwise). **Never run the whirlpool system with all the jets closed.**

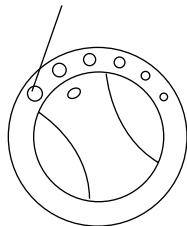
Force of Air: Two knobs located on the bath serve as controls for the air induction system. The intensity of the hydromassage whirlpool action is determined by the amount of air inducted into the water. As the amount of air is increased, the hydromassage action increases. For maximum air induction, rotate the control knobs fully counterclockwise to the largest circles. For fewer air bubbles, decrease the amount of air induction by rotating the control knob clockwise. When the knobs are turned to the smallest circles, only water is being circulated.

AIR INDUCTION CONTROLS

TURN CLOCKWISE TO
REDUCE AIR FLOW

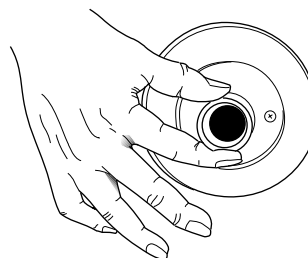


TURN COUNTER-CLOCKWISE
TO INCREASE AIR FLOW



JETS

DIRECTIONALLY
ADJUSTABLE



FULLY
ADJUSTABLE



CD/RADIO

Note: The remote for the CD/radio is not intended to be used inside the shower or in the bath.

Note: For units with AM/FM radios, the quality of AM reception will vary by locality. Jacuzzi Whirlpool Bath is not responsible for the quality of AM reception.

NOTE: In order to hear the TV audio, the Pioneer CD Receiver AUX function must be setup to be ON.

To perform this setting:

- If the unit is on, press SOURCE and hold until the unit turns off.
- Press FUNCTION repeatedly until AUX appears in the display
- Select AUX on and off with ▲/▼. The status will be displayed: AUX :ON.

TV

For operation of the TV consult the manual enclosed.

Note: The remote for the TV is not intended to be used inside the shower or in the bath.

CENTER PANEL MAINTENANCE

The hand held shower head is equipped with a screen which must be occasionally cleaned of limestone and other deposits. The screen is placed between the flexible hose and the shower head. If limestone deposits are on the jet nozzles, the shape of the water jets may be altered. Remove and clean the nozzles occasionally. Forcefully turn the nozzle counterclockwise until a click is felt. Then remove the nozzle and clean it by soaking it in a moderate vinegar and water solution. Do not use metal tools (such as scissors or screwdrivers, etc.) to clean the nozzle. For routine cleaning of plastic surfaces use a mild liquid detergent only. Do not use abrasive cleaners, alcohol, or other solvents. Any normal polish can be used to keep acrylic surfaces shiny. The glass panels can be cleaned with any glass-cleaning product available on the market. **Do not use abrasives, solvents, or acetone on any part of the J-Allure.**

Important (For units with TV): These units are equipped with a fan mounted inside the TV housing. At least every 2 years have a service technician verify that the fan is operational. If the fan is not operating properly discontinue TV use until fan can be repaired or replaced.

BATH MAINTENANCE

Cleaning the Bath

To clean your bath, simply use a mild, nonabrasive liquid detergent solution. You can protect and restore the gloss to a dulled acrylic surface by applying Meguiar's #10 Mirror Glaze, a product specifically designed for use on acrylic finishes. If Meguiar's is not available, an acrylic polish of equal quality or automotive paste wax is acceptable. **Never use abrasive household cleaners on any Jacuzzi Whirlpool Bath product.**

Repairs to the Surface

Minor scratches which do not penetrate the color finish can be removed by lightly sanding with 600-grit wet/dry sandpaper. Restore the gloss using Meguiar's Mirror Glaze or automotive paste wax.

Major scratches and gouges which penetrate the acrylic surface will require refinishing. Ask your Jacuzzi Whirlpool Bath dealer for special instructions.

Purging the Whirlpool System

NOTE: THE WHIRLPOOL SYSTEM SHOULD BE PURGED AT LEAST TWICE A MONTH

To remove accumulations of bath residue from the whirlpool system, it is recommended that a whirlpool bath be purged at least twice a month. For best results, however, we recommend that you purge your whirlpool bath after each use using our exclusive two-part plumbing system cleaner made specifically for whirlpool baths. Systems Clean™ is available through an authorized Jacuzzi Whirlpool Bath Distributor or by calling us direct at 1-800-288-4002. Instructions for use: Immediately after bathing and exiting the whirlpool bath, leave the bath water in the tub and add hot water, if necessary, so the water is at least 2" above the highest jet. Turn on the unit without the aerator. Pour the contents of the Systems Clean Packet 1 (taking care not to get the material on yourself) into the bath near the intake for the circulation pump. Repeat same process with Systems Clean Packet 2. **It is important to use Packet 1 before Packet 2 to avoid a strong odor.** Run the bath for 5 to 10 minutes. Drain completely and rinse any residue.

If you have followed the standard purging instructions above and still have an excess accumulation of bath residue and desire an alternative cleaning mechanism, we recommend **SUPER SYSTEMS CLEAN PLUS** manufactured by Stearns Packaging to rectify this condition. This may be obtained by contacting us at 1-800-288-4002. It is recommended that you follow the instructions provided by the manufacturer with the product. Repeated use may be necessary. **SUPER SYSTEMS CLEAN PLUS** does not replace the necessity to regularly purge your whirlpool system with Systems Clean as recommended.

(For additional information about water content, contact us for a copy of the Jacuzzi Water Quality Primer)

Bath Additives

NOTE: DO NOT USE OIL OR OIL BASED BATH ADDITIVES.

If you want to use any kind of bath additive, use only a small amount of low-foaming powder or crystal substance; the whirlpool action intensifies the foaming properties of soaps.

The use of certain bath oils, bubble baths and bath additives may increase the level of accumulations of bath residue in the whirlpool system. If excess accumulations persist, you should discontinue use of these products.

Suction Cover/Strainer Maintenance

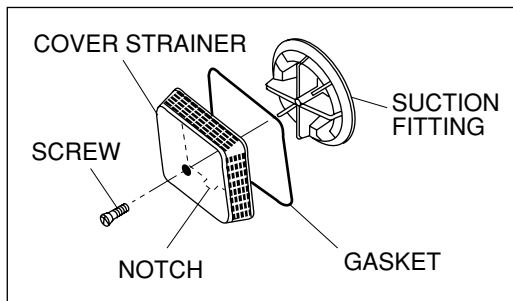
Clean the suction cover/strainer of hair and debris when necessary. To do this, remove the center screw and detach the square cover. Clean the cover by backflushing debris from the holes. Replace the suction cover immediately after cleaning. When reinstalling, orient the cover/strainer with the small notch at the bottom. The gasket must be inserted into the groove of the cover/strainer before reinstalling onto the suction fitting.

CAUTION: Keep hair a minimum of 6 inches away from the suction fitting at all times when the whirlpool system is operating. Hair longer than shoulder length should be secured close to the head, or a bathing cap should be worn. Do not operate the whirlpool system with the suction cover removed! It is a safety device and must always be in place on the suction fitting to minimize the potential hazard of hair and body entrapment.

DOME CLEANING

For routine cleaning of the dome, use a mild liquid detergent. **Do not use cleaners containing abrasives, alcohol, ammonia or other solvents.**

SUCTION COVER/STRAINER ASSEMBLY

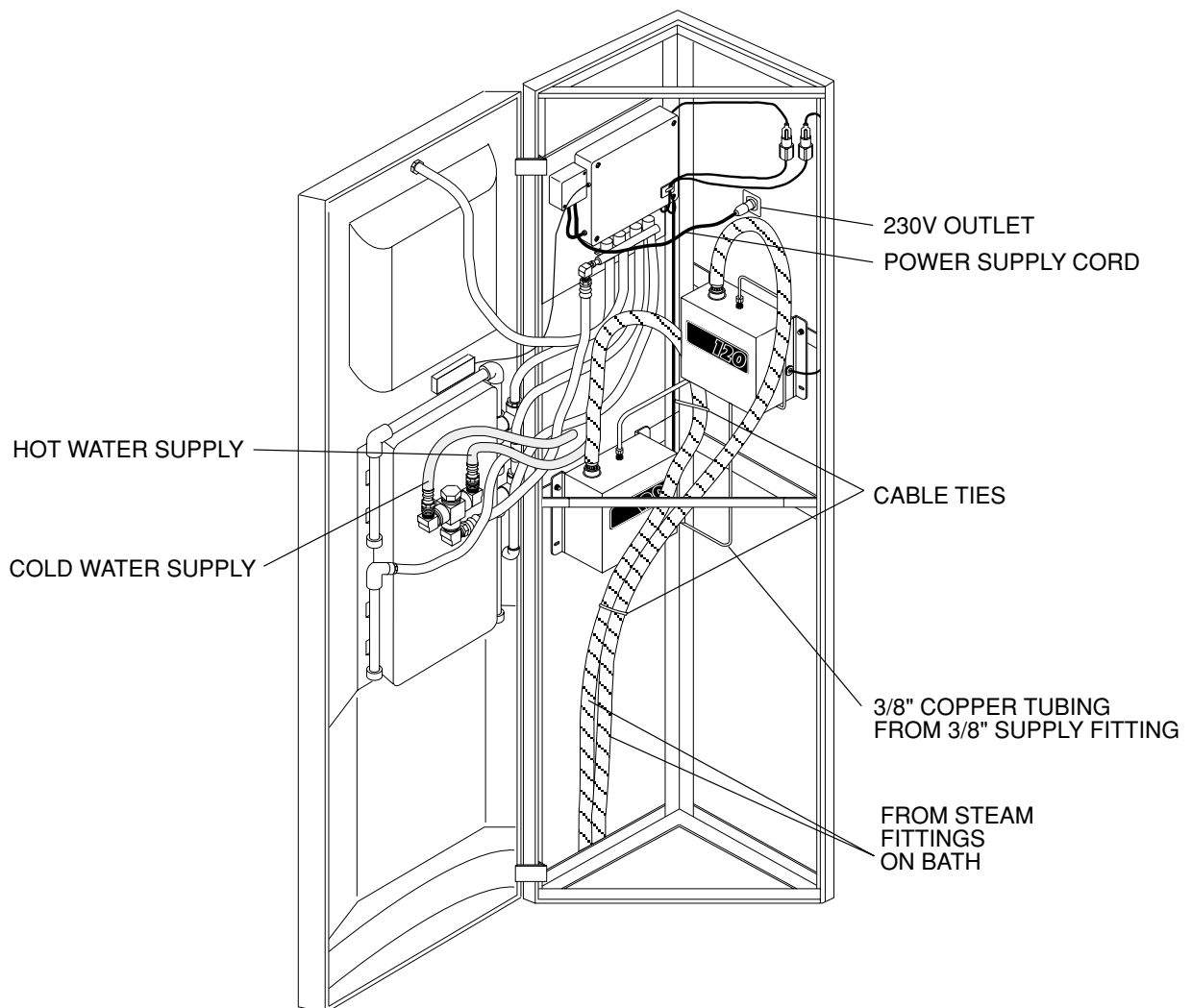


CARE AND MAINTENANCE OF STEAMPRO STEAM GENERATORS

Maintenance of the Steampros includes flushing periodically and visually inspecting for water leaks.

To drain the units:

1. Turn OFF power to the unit.
2. To gain access to the SteamPro units, open the center panel door. To do so, open the screw cover and remove the screw. Unplug power cords from the SteamPro units and disconnect all plumbing. Remove the SteamPro units from their mounting.
3. Flush the tanks out; the drain plug can be removed with an 8 mm hexagonal wrench. Reinstall the steam generators. **(Do NOT operate the steam generators without the water supply ON as permanent damage to the generators will occur.)**
4. Turn ON the water supply and check for leaks.
5. Close door and reinstall door bolt.
6. Turn ON power to the unit.



**PRODUCT SPECIFICATIONS ARE SUBJECT TO CHANGE WITHOUT NOTICE.
USE INSTALLATION INSTRUCTIONS SUPPLIED WITH PRODUCT.**

Jacuzzi Whirlpool Bath has obtained applicable code (standards) listings generally available on a national basis for products of this type. It is the responsibility of the installer/owner to determine specific local code compliance prior to installation of this product. Jacuzzi Whirlpool Bath makes no representation or warranty regarding, and will not be responsible for any code compliance.

JACUZZI WHIRLPOOL BATH

Jacuzzi Whirlpool Bath National Headquarters
P.O. Drawer J, Walnut Creek, CA 94596 (925) 938-7070

Service Support: Call (925) 938-7411

©1998 Jacuzzi Whirlpool Bath N115000C 12/02



Printed on Recycled Paper

Printed in the U.S.A.

Jacuzzi Whirlpool Bath Limited Warranty Shower System Product

WARRANTY COVERAGE

Jacuzzi Whirlpool Bath (the "Company") offers the following express limited warranty to the original purchaser of any Jacuzzi Whirlpool Bath Shower System product ("unit") who purchases the product for personal or single family use ("user"). The Company will repair or replace, at its option, the unit or its equipment in accordance with the following terms and conditions.

ONE YEAR LIMITED WARRANTY ON SHOWER SYSTEM

Our warranty on Shower System products is for one (1) year. Our warranty covers the unit and factory-installed components (e.g., pump, motor) against defects in material or workmanship. Warranty coverage begins on the date the unit was originally purchased by the user.

NINETY DAY (PARTS ONLY) LIMITED WARRANTY ON OPTIONS AND ACCESSORIES

Our warranty on options and accessories manufactured by the Company is for ninety (90) days for parts only. Our warranty covers options and accessories manufactured by the Company (e.g., fill spout kits, trim kits, skirts) against defects of material or workmanship. Warranty coverage begins on the date the option or accessory was originally purchased by the user.

WARRANTY LIMITATIONS

Our warranty does not cover defects, damage, or failure caused by the common carrier, installer, user, or other person, or resulting from, without limitation, any of the following: careless handling (lifting unit by plumbing, abrading finish, etc.); modification of any type for any reason (including modification to meet local codes); improper installation (including installation not in accordance with instructions and specifications provided with the unit); connections supplied by the installer of the equipment; improper voltage supply or unauthorized electrical modification; misuse; incorrect operation, or lack of proper routine maintenance; operation of the unit without specified minimum amount of water or at inappropriate water temperature; use of abrasive or improper cleaners; or acts of God, such as lightning, floods, earthquakes, etc.

In addition, THE COMPANY WILL NOT BE RESPONSIBLE FOR INCIDENTAL OR CONSEQUENTIAL DAMAGES or losses arising from any cause (e.g., water damage to carpet, ceiling, loss of use, etc.) including its own negligence; damages to, respecting, or resulting from: plated parts when chemicals are used in the unit; optional equipment not manufactured by the Company, supplied by Dealer, installer or the Company; the unit's prior usage as an operational display; or defects that should have been discovered before installation. This limited warranty does not include: labor, transportation, or other costs incurred in the removal and/or reinstallation of the original unit and/or installation of a replacement unit; any costs relating to obtaining access for repair; or loss of use damage, including loss of sales, profit or business advantage of any kind under any circumstances. Units in commercial use are excluded from any warranty coverage whatsoever.

Warranty coverage is provided in the United States of America only.

IMPLIED WARRANTIES

All implied warranties of merchantability and fitness for a particular purpose are equal in duration with the express warranties set forth herein.

NOTICE: This warranty gives you specific legal rights, and you may also have other rights which vary from state to state. There are no warranties applicable to Jacuzzi Whirlpool Bath products except as expressly stated herein or as implied by applicable state and federal laws. The Company will not be responsible for any statements or representations made in any form that go beyond, are broader than or are inconsistent with any authorized literature or specifications furnished by the Company.

Some states do not allow limitations on how long an implied warranty lasts, or the exclusion or limitation of incidental or consequential damages, so the above limitations and exclusions may not apply to you.

RETURN OF WARRANTY CARD

The attached pre-addressed Warranty Registration Card MUST be filled out by the purchaser within thirty (30) days from purchase and mailed to Jacuzzi Whirlpool Bath in order for this warranty to become effective.



Jacuzzi Whirlpool Bath
P.O. Drawer J
Walnut Creek, CA 94596-9885

RESPONSIBILITIES OF OTHERS

Inspecting the unit prior to installation is the responsibility of the installer or building contractor who acts on behalf of the user. They are responsible for ensuring the unit is free of defect or damage. Notices are placed on and in the unit and on the shipping carton advising the installer of this responsibility. In the event of a problem, the unit must not be installed. The Company is not responsible for failures or damage that could have been discovered, repaired, or avoided by proper inspection and testing prior to installation.

Damage occurring in transit is the responsibility of the carrier. The user or installer MUST open the crates and inspect the unit for damage when it is delivered. If damage is discovered, it must be reported immediately to the seller and the carrier in writing, and an inspection requested. Failure of the carrier to respond should be reported to the seller and the carrier. Your freight claims should be filed promptly thereafter.

It is the responsibility of the installer, building contractor, or user to provide access for service. The Company is not responsible for any costs relating to obtaining access for repair. The user shall bear such costs and, if appropriate, must seek recovery from the installer.

Damage occurring to the unit during installation is the responsibility of the installer and/or building contractor and damage occurring thereafter is the responsibility of the user.

Failure of any optional equipment is the sole responsibility of the equipment manufacturer. (Options and accessories manufactured by the Company are warranted for ninety (90) days from the original date of purchase for parts only.)

The Distributor or Dealer is responsible for knowing local code requirements and notifying the installing contractor and/or user of these requirements at the time of purchase. The Company is not responsible for costs to modify any product to obtain any code approval, such as city, county, or state building codes.

WARRANTY SERVICE

For the customer's benefit, the Company maintains a list of independent service personnel to perform required warranty service repairs. Such firms are not agents or representatives of the Company and cannot bind the Company by words or conduct.

The Company will provide the warranty service described above when the following conditions have been met: the failure is of the nature or type covered by the warranty; the user has informed an Authorized Jacuzzi Whirlpool Bath Service Agent or Warranty Service Department Representative of the nature of the problem during the warranty period; conclusive evidence (e.g., proof of purchase or installation) is provided to the foregoing by the user proving that the failure occurred or was discovered within the warranty period; an authorized independent service person or Company representative has been permitted to inspect the unit during regular business hours within a reasonable time after the problem was reported by the user.

In order to obtain warranty service, consult your local telephone book for the location of the nearest Jacuzzi Whirlpool Bath Authorized Service Agent. Describe the problem and the Authorized Service Agent will inspect the unit and provide the required warranty service.

If you are unable to contact a Jacuzzi Whirlpool Bath Authorized Service Agent, call or write:

Jacuzzi Whirlpool Bath
Warranty Service Department
P.O. Drawer J
Walnut Creek, California 94596
Call: (800) 288-4002

To obtain warranty replacement for factory-installed components or Company supplied options and accessories manufactured and supplied by the Company, call or write the above. Provide a description of the problem and proof of purchase. You will be instructed how to obtain replacements and where to return, at your expense, the failed component(s), option(s), or accessories.

All replacement parts, equipment, and repairs shall assume the remaining warranty period of the part(s) replaced.

The Company's warranty obligation shall be discharged upon tender of replacement or repair. The customer's refusal to accept the tender terminates the Company's warranty obligation.

Ninety-Day
Parts Only
Limited Warranty
On
Accessory(ies)

©1998 Jacuzzi Whirlpool Bath N115000C 12/02



Warranty Registration Card

This card must be filled out and returned to the address printed on the other side within thirty (30) days from date of purchase in order for this warranty to be come effective.

Purchaser's Name _____

Purchaser's Address _____ City _____ State _____ Zip _____

Date of Purchase _____

Model Name _____ Serial Number _____

Dealer's Name _____ Dealer's Address _____

1. How did you first hear about this Jacuzzi® product?
 Advertisement Article in Magazine/Newspaper
 Visited Dealer/Plumbing Supplier Yellow Pages
 Builder/Plumber/Remodeler Decorator/Architect
 Visited Retailer/Home Center Store
 Word of Mouth... Friend/Relative/Acquaintance
 Other... Please Describe _____
2. Who first gave you specific information about this product (specifications, prices, etc.)?
 Dealer/Plumbing Supplier Builder Remodeler
 Plumbing Contractor Retailer/Home Center Store
 Decorator/Architect Already Installed
3. What was the main reason for purchase?
 Styling Warranty Service Product Features
 Brand Name Price Hydrotherapy
 Home Resale _____
 Other _____
4. Who finally decided which product you would buy?
 Self Spouse Self and Spouse Together
 Other Family Member Designer/Architect
 Builder/Plumber/Remodeler Already Installed
 Who installer? Already installed/New Home
 Contractor/Plumber when remodeling
 Self/Spouse when remodeling
 Other _____
6. What is the current market value of this property?
 Please estimate \$ _____ years
7. What is the age of the head of the household? _____ years
8. What other manufacturers did you consider?
 Eljer Lasco Price Pfister Aqua Glass
 Kohler American Standard Sterling
 Other (Specify) _____
9. How long did you shop before purchasing unit?
 1 day 2 months-6 months
 2-7 days 6 months-1 year
 1 week-2 weeks 1 year-2 years
 2 weeks-4 weeks +2 years
 1 month-2 months _____
10. Approximately how long have you lived in this home?
 Please indicate, approximately, the total annual income of your household.
 Up to \$24,999 \$50,000 to \$74,999
 \$25,000 to \$29,999 \$75,000 to \$99,999
 \$30,000 to \$39,999 \$100,000 to \$149,999
 \$40,000 to \$49,999 \$150,000 and Above
11. Was your purchase process?
 Very easy Easy Difficult Very difficult
 How technically aware were you of the patented Jacuzzi® jet system prior to your purchase?
 Not aware Somewhat aware Very aware

Ninety-Day
Parts Only
Limited Warranty
On
Accessory(ies)

Free Manuals Download Website

<http://myh66.com>

<http://usermanuals.us>

<http://www.somanuals.com>

<http://www.4manuals.cc>

<http://www.manual-lib.com>

<http://www.404manual.com>

<http://www.luxmanual.com>

<http://aubethermostatmanual.com>

Golf course search by state

<http://golfingnear.com>

Email search by domain

<http://emailbydomain.com>

Auto manuals search

<http://auto.somanuals.com>

TV manuals search

<http://tv.somanuals.com>