

MFORCE™
POWER DRIVE
Plus
MICROSTEPPING



OPERATING INSTRUCTIONS

Microstepping MForce PowerDrive Product Manual Changelog		
Date	Revision	Changes
04/05/2007	R040507	Initial Release

The information in this book has been carefully checked and is believed to be accurate; however, no responsibility is assumed for inaccuracies.

*Intelligent Motion Systems, Inc., reserves the right to make changes without further notice to any products herein to improve reliability, function or design. Intelligent Motion Systems, Inc., does not assume any liability arising out of the application or use of any product or circuit described herein; neither does it convey any license under its patent rights of others. Intelligent Motion Systems and **IMS**TM are trademarks of Intelligent Motion Systems, Inc.*

Intelligent Motion Systems, Inc.'s general policy does not recommend the use of its products in life support or aircraft applications wherein a failure or malfunction of the product may directly threaten life or injury. Per Intelligent Motion Systems, Inc.'s terms and conditions of sales, the user of Intelligent Motion Systems, Inc., products in life support or aircraft applications assumes all risks of such use and indemnifies Intelligent Motion Systems, Inc., against all damages.

Microstepping MForce PowerDrive Product Manual
Revision R040507
 Copyright © 2007 Intelligent Motion Systems,
 Inc.
 All Rights Reserved

Table Of Contents

Getting Started: Microstepping MForce PowerDrive	1-1
Before You Begin.....	1-1
Tools and Equipment Required.....	1-1
Connecting the Power Supply	1-1
Connect Opto Reference and Logic Inputs.....	1-2
Connecting the Motor	1-2

Part 1: Hardware Reference

Section 1.1: Introduction to the Microstepping MForce PowerDrive	1-5
Configuring	1-5
Features and Benefits.....	1-6
Section 1.2: Microstepping MForce PowerDrive Detailed Specifications	1-7
General Specifications	1-7
Setup Parameters	1-8
Mechanical Specifications.....	1-8
Pin Assignment and Description	1-9
P1 12-Pin Locking Wire Crimp Connector - Power, I/O and SPI Communications.....	1-9
P3 Connector - DC Power, 2-Pin Locking Wire Crimp	1-10
P4 Connector - Motor	1-10

Part 2: Connecting and Interfacing

Section 2.1: Mounting and Connection Guidelines	3
Mounting Recommendations.....	3
Securing Power Leads and Logic Leads.....	4
Layout and Interface Guidelines.....	4
Rules of Wiring	5
Rules of Shielding	5
Recommended Wiring.....	5
Recommended Mating Connectors and Pins	5
Section 2.2: Interfacing DC Power.....	7
Choosing a Power Supply for Your MForce PowerDrive	7
DC Power Supply Recommendations.....	8
Recommended IMS Power Supplies.....	8
Basic DC Power Connection.....	9
Recommended Power and Cable Configurations	9
Example A: DC Power Cabling Under 50 Feet.....	9
Example B: AC Power to Full Wave Bridge Cabling Over 50 Feet.....	10
Example C – Cabling 50 Feet or Greater, AC Power to Power Supply	10
Section 2.3: Motor Selection and Interface	11
Selecting a Motor	11
Types and Construction of Stepping Motors.....	11
Sizing a Motor for Your System.....	11
Recommended IMS Motors	12
IMS Inside Out Stepper Motors.....	13
Connecting the Motor	14
8 Lead Motors	14
6 Lead Motors.....	15
4 Lead Motors.....	16
Recommended Motor Cabling	16
Example A: Motor Cabling Less Than 50 Feet	16
Example B: Motor Cabling Greater Than 50 Feet.....	17
Recommended Motor Cable AWG Sizes.....	17
Section 2.4: Logic Interface and Connection	19
Optically Isolated Logic Inputs.....	19
Isolated Logic Input Pins and Connections	19
Isolated Logic Input Characteristics.....	19

Enable Input	19
Clock Inputs	20
Optocoupler Reference.....	22
Input Connection Examples.....	23
Open Collector Interface Example	
Switch Interface Example	24
Minimum Required Connections.....	25
Section 2.5: Connecting SPI Communications	26
Connecting the SPI Interface	26
SPI Signal Overview.....	26
SPI Pins and Connections	27
Logic Level Shifting and Conditioning Circuit.....	27
SPI Master with Multiple Microstepping MForce PowerDrive	28
Section 2.6: Using the IMS SPI Motor Interface.....	29
Installation	29
Configuration Parameters and Ranges	29
Color Coded Parameter Values.....	29
IMS SPI Motor Interface Menu Options.....	30
Screen 1: The Motion Settings Configuration Screen	31
MSEL (Microstep Resolution Selection)	32
HCDDT (Hold Current Delay Time)	33
MRC (Motor Run Current)	33
MHC (Motor Hold Current).....	33
DIR (Motor Direction).....	33
User ID.....	33
IMS SPI Motor Interface Button Functions	33
Screen 2: I/O Settings Configuration Screen	34
Input Clock Type.....	34
Input Clock Filter	34
Enable Active High/Low	34
Warning Temperature	34
IMS Part Number/Serial Number Screen	35
Fault Indication.....	35
Upgrading the Firmware in the Microstepping MForce PowerDrive.....	36
The IMS SPI Upgrader Screen.....	36
Upgrade Instructions.....	36
Initialization Screen.....	37
Port Menu.....	37
Section 2.7: Using User-Defined SPI.....	38
SPI Timing Notes.....	38
Check Sum Calculation for SPI.....	38
SPI Commands and Parameters.....	39
SPI Communications Sequence	40

Appendices

Appendix A: Optional Prototype Development Cables.....	A-3
MD-CC300-000: USB to SPI Parameter Setup Cable	A-3
Adapter Cables	A-3
Installation Procedure for the MD-CC300-000	A-4
Installing the Cable/VCP Drivers.....	A-4
Determining the Virtual COM Port (VCP)	A-6
PD12-1434-FL3 — Power, I/O and SPI.....	A-7
Prototype Development Cable PD02-2300-FL3	A-8
Prototype Development Cable PD04-MF34-FL3	A-8

List of Figures

Figure GS.1: Minimum Logic and Power Connections	1-1
--	-----

Part 1: Hardware Reference

Figure 1.1.1: Microstepping MForce PowerDrive	1-5
Figure 1.2.1: MForce PowerDrive Mechanical Specifications.....	1-8
Figure 1.2.2: P1 — 12-Pin Locking Wire Crimp Pin Configuration	1-9
Figure 1.2.3: P3 — 2-Pin Locking Wire Crimp Pin Configuration	1-10
Figure 1.2.4: P4 — 4-Pin Locking Wire Crimp Pin Configuration	1-10

Part 2: Connecting and Interfacing

Figure 2.1.1: Base Mounting the MForce PowerDrive	3
Figure 2.1.2: End Mounting the MForce PowerDrive	4
Figure 2.2.1: IMS ISP300 Switch Mode Power Supply.....	7
Figure 2.2.2: MForce PowerDrive DC Power Connection.....	9
Figure 2.2.3: DC Cabling - Under 50 Feet.....	9
Figure 2.2.4: AC To Full Wave Bridge Rectifier, Cabling over 50 Feet.....	10
Figure 2.2.5: AC Cabling - 50 Feet or Greater - AC To Power Supply	10
Figure 2.3.1 A & B: Per Phase Winding Inductance.....	12
Figure 2.3.2: 8 Lead Motor Series Connections.....	14
Figure 2.3.3: 8 Lead Motor Parallel Connections.....	14
Figure 2.3.4: 6 Lead Half Coil (Higher Speed) Motor Connections	15
Figure 2.3.5: 6 Lead Half Coil (Higher Speed) Motor Connections	15
Figure 2.3.6: 4 Lead Motor Connections.....	16
Figure 2.3.7: Motor Cabling Less than 50 Feet.....	16
Figure 2.3.8: Motor Cabling Greater than 50 Feet.....	17
Figure 2.4.1: Isolated Logic Pins and Connections	19
Figure 2.4.2: Input Clock Functions	20
Figure 2.4.3: Clock Input Timing Characteristics.....	21
Figure 2.4.4: Optocoupler Input Circuit Diagram.....	22
Figure 2.4.5: Open Collector Interface Example.....	23
Figure 2.4.6: Switch Interface Example	24
Figure 2.4.7: Minimum Required Connections.....	25
Figure 2.5.1: MD-CC300-000 Parameter Setup Cable.....	26
Figure 2.5.2: SPI Pins and Connections, 12-Pin Wire Crimp.....	27
Figure 2.5.3: Logic Level Shifting and Conditioning Circuit.....	27
Figure 2.5.4: SPI Master with a Single Microstepping MForce PowerDrive	28
Figure 2.5.5: SPI Master with Multiple Microstepping MForce PowerDrives	28
Figure 2.6.1: SPI Motor Interface Color Coding.....	30
Figure 2.6.2: SPI Motor Interface File Menu.....	30
Figure 2.6.3: SPI Motor Interface View Menu.....	30
Figure 2.6.4: SPI Motor Interface Recall Menu	31
Figure 2.6.5: SPI Motor Interface Upgrade Menu	31
Figure 2.6.6: SPI Motor Interface Help Menu and About Screen	31
Figure 2.6.7: SPI Motor Interface Motion Settings Screen.....	32
Figure 2.6.8: SPI Motor Interface I/O Settings Screen.....	34
Figure 2.6.9: SPI Motor Interface Part and Serial Number Screen	35
Figure 2.6.10: SPI Motor Interface Upgrade Utility	36
Figure 2.6.11: SPI Motor Interface Initialization	37
Figure 2.6.12: SPI Motor Interface Port Menu	37
Figure 2.7.1: SPI Timing.....	38
Figure 2.7.2: Read/Write Byte Order for Parameter Settings (Default Parameters Shown)	40

Appendices

Figure A.1: MD-CC300-000	A-3
Figure A.2: MD-CC300-000 Mechanical Specifications.....	A-3
Figure A.3: Typical Setup, Adapter and Prototype Development Cable	A-4
Figure A.4: Hardware Update Wizard	A-4
Figure A.5: Hardware Update Wizard Screen 2	A-5
Figure A.6: Hardware Update Wizard Screen 3	A-5
Figure A.7: Windows Logo Compatibility Testing.....	A-5
Figure A.8: Hardware Update Wizard Finish Installation.....	A-6
Figure A.9: Hardware Properties.....	A-6
Figure A.10: Windows Device Manager	A-6
Figure A.11 PD12-1434-FL3	A-7
Figure A.12: PD02-3400-FL3	A-8
Figure A.13: PD04-MF34-FL3	A-8

List of Tables

Part 1: Hardware Reference

Table 1.2.1: Electrical Specifications.....	1-7
Table 1.2.2: Thermal Specifications.....	1-7
Table 1.2.3: I/O Specifications	1-7
Table 1.2.4: Communications Specifications	1-7
Table 1.2.5: Motion Specifications	1-7
Table 1.2.6: Setup Parameters.....	1-8
Table 1.2.7: P1 Connector – Power, I/O and SPI Communications	1-9
Table 1.2.8: P3 Connector	1-10
Table 1.2.9: P4 Connector.....	1-10

Part 1: Interfacing and Configuring

Table 2.2.1: Recommended Wire Gauges	10
Table 2.3.1: Recommended Wire Gauges.....	17
Table 2.4.1: Input Clocks Timing Table	21
Table 2.4.2: Optocoupler Reference Connection.....	22
Table 2.6.1: Setup Parameters and Ranges.....	29
Table 2.6.2: Microstep Resolution Settings.....	32
Table 2.6.3: Hold and Run Current Percentage Equivalents	33
Table 2.6.4: Input Clock Filter Settings.....	34
Table 2.6.5: Microstepping MForce PowerDrive Fault Codes	35
Table 2.7.1: SPI Commands and Parameters	39

Appendices

Table A.1: PD12-1434-FL3 Wire Color Codes	A-7
Table A.2: PD04-MF34-FL3.....	A-8

GETTING STARTED

Microstepping MForce PowerDrive

Before You Begin

The Getting Started Section is designed to help quickly connect and begin using your Microstepping MForce PowerDrive. The following examples will help you get a motor turning for the first time and introduce you to the basic settings of the drive.

Tools and Equipment Required

- Microstepping MForce PowerDrive Unit (MFM)
- A NEMA 23 or 34 Size Stepping Motor
- Control Device for Step/Direction
- +5 to +24 VDC Optocoupler Supply (if using sinking output type)
- An Unregulated +12 to +48VDC Power Supply
- Basic Tools: Wire Cutters / Strippers / Screwdriver
- Wire for Power Supply (18 AWG) and Motor (16 AWG)
- 22 AWG Wire for Logic Connections

Opto Reference*

* The Opto Reference Will set the Sink/Source Configuration of the Inputs
Sinking: OptoRef = +5 to +24 VDC
Sourcing: OptoRef = Ground

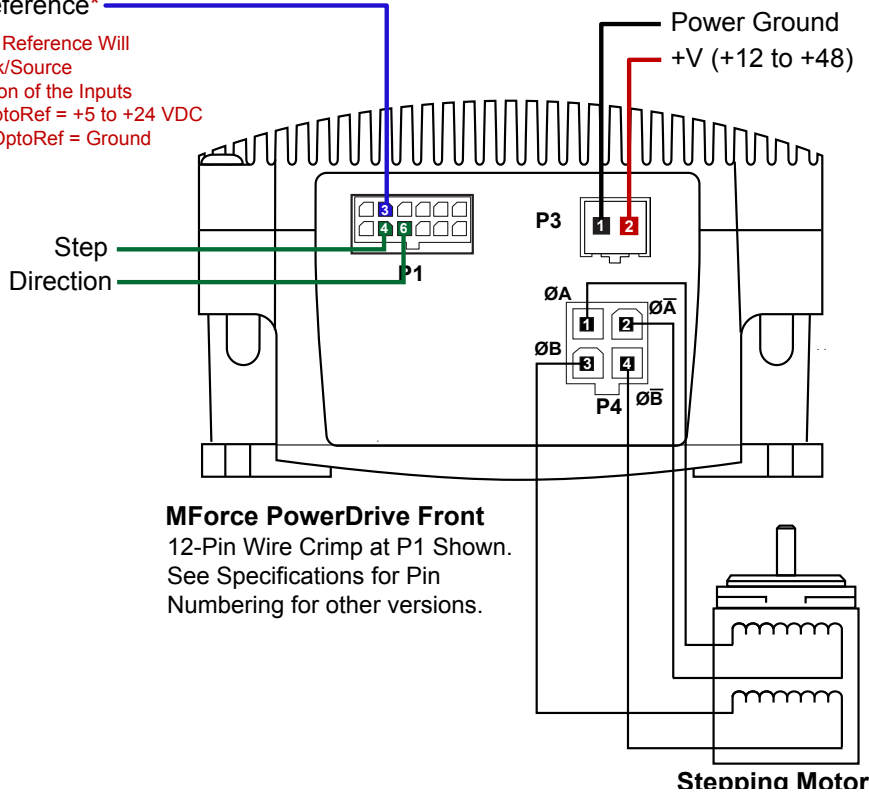


Figure G.S.1: Minimum Logic and Power Connections

Connecting the Power Supply

Using the recommended wire, connect the DC output of the power supply to the +V input of the connector appropriate for your Microstepping MForce PowerDrive model.

Connect the power supply ground to the Power Ground pin appropriate for your Microstepping MForce PowerDrive.



WARNING! The MForce has components which are sensitive to Electrostatic Discharge (ESD). All handling should be done at an ESD protected workstation.



WARNING! Hazardous voltage levels may be present if using an open frame power supply to power your MForce product.



WARNING! Ensure that the power supply output voltage does not exceed the maximum input voltage of the MForce product that you are using!



Note: A characteristic of all motors is back EMF. Back EMF is a source of current that can push the output of a power supply beyond the maximum operating voltage of the driver. As a result, damage to the stepper driver could occur over a period of time. Care should be taken so that the back EMF does not exceed the maximum input voltage rating of the MForce PowerDrive.

Connect Opto Reference and Logic Inputs

Using 22 AWG wire, connect the Opto Reference to the desired reference point. The reference will determine whether or not the logic input is sinking or sourcing. If Sinking Inputs are desired, connect the Opto reference to a +5 to +24 VDC Supply. If Sourcing Outputs are desired, the Opto Reference needs to be connected to the Controller Ground.

Connect the Step and Direction inputs to the appropriate outputs of your PLC or controller.

Connecting the Motor

Using the recommended wire, connect the Motor Phases to P3 as shown in Figure GS.1. Ensure that the phases are connected correctly.



PART 1: HARDWARE REFERENCE

Section 1.1: Introduction to the Microstepping MForce PowerDrive

Section 1.2: Microstepping MForce PowerDrive Detailed Specifications

SECTION 1.1

Introduction to the Microstepping MForce PowerDrive

The Microstepping MForce PowerDrive is a high performance, low cost microstepping driver that delivers unsurpassed smoothness and performance achieved through IMS's advanced 2nd generation current control. By applying innovative techniques to control current flow through the motor, resonance is significantly dampened over the entire speed range and audible noise is reduced.

Microstepping MForce PowerDrives accept a broad input voltage range from +12 to +75 VDC, delivering enhanced performance and speed. Oversized input capacitors are used to minimize power line surges, reducing problems that can occur with long runs and multiple drive systems.

An extended operating range of -40° to $+85^{\circ}\text{C}$ provides long life, trouble free service in demanding environments.

The high, per phase output current of up to 5 Amps RMS, 7 Amps Peak, allows the extremely compact MForce PowerDrive to control a broad array of motors from size 23 to size 42.

The microstepping drive accepts up to 20 resolution settings from full to 256 microsteps per full step, including: degrees, metric and arc minutes. These settings may be changed on-the-fly or downloaded and stored in nonvolatile memory with the use of a simple GUI which is provided. This eliminates the need for external switches or resistors. Parameters are changed via an SPI port.

The versatile Microstepping MForce PowerDrive comes with dual mounting configurations to fit various system needs. All interface connections are accomplished using pluggable locking wire crimp connectors. Optional cables are available for ease of connecting and configuring the MForce, and are recommended with first order.

The Microstepping MForce PowerDrive is a compact, powerful and inexpensive solution that will reduce system cost, design and assembly time for a large range of applications.



Figure 1.1.1: Microstepping MForce PowerDrive

Configuring

The IMS SPI Motor Interface software is an easy to install and use GUI for configuring the Microstepping MForce PowerDrive from a computer's USB port. GUI access is via the IMS SPI Motor Interface included on the CD shipped with the product, or from www.imshome.com. Optional cables are available for ease of connecting and configuring the MForce.

The IMS SPI Motor Interface features:

- Easy installation.
- Automatic detection of MForce version and communication configuration.
- Will not set out-of-range values.
- Tool-tips display valid range setting for each option.
- Simple screen interfaces.

Features and Benefits

- High Performance Microstepping Driver
- Advanced 2nd Generation Current Control for Exceptional Performance and Smoothness
- Single Supply: +12 to +75 VDC
- Low Cost
- Extremely Compact
- High Output Current:
Up to 5 Amps RMS, 7 Amps Peak (Per Phase)
- 20 Microstep Resolutions up to 51,200 Steps Per Rev Including:
Degrees, Metric, Arc Minutes
- Optically Isolated Logic Inputs will Accept +5 to +24 VDC Signals, Sourcing or Sinking
- Automatic Current Reduction
- Configurable:
 - Motor Run/Hold Current
 - Motor Direction vs. Direction Input
 - Microstep Resolution
 - Clock Type: Step and Direction, Quadrature, Step Up and Step Down
 - Programmable Digital Filtering for Clock and Direction Inputs
 - Current and Microstep Resolution May Be Switched On-The-Fly
- Dual Mounting Configurations
- Power, Motor and Signal Interface via locking wire crimp style connectors.
- Graphical User Interface (GUI) for Quick and Easy Parameter Setup

SECTION 1.2

Microstepping MForce PowerDrive Detailed Specifications

General Specifications

Electrical Specifications	
Input Voltage (+V) Range*	+12 to +75 VDC
Max Power Supply Current (Per MForce PowerDrive)*	4 Amps
Output Current RMS	5 Amps
Output Current Peak (Per Phase)	7 Amps

* Actual Power Supply Current will depend on Voltage and Load.

Table 1.2.1: Electrical Specifications

Thermal Specifications	
Heat Sink Temperature	-40°C to +85°C

Table 1.2.2: Thermal Specifications

I/O Specifications	
Isolated Inputs — Step Clock, Direction and Enable	
Resolution	10 Bit
Voltage Range (Sourcing or Sinking)	+5 to +24 VDC
Current (+5 VDC Max)	8.7 mA
Current (+24 VDC Max)	14.6 mA

Table 1.2.3: I/O Specifications

Communications Specifications	
Protocol	SPI

Table 1.2.4: Communications Specifications

Motion Specifications									
Microstep Resolution									
Number of Resolutions	20								
Available Microsteps Per Revolution									
200	400	800	1000	1600	2000	3200	5000	6400	10000
12800	20000	25000	25600	40000	50000	51200	36000 ¹	21600 ²	25400 ³

1=0.01 deg/μstep 2=1 arc minute/μstep 3=0.001 mm/μstep

Digital Filter Range	50 nS to 12.9 μS (10 MHz to 38.8kHz)
Clock Types	Step/Direction, Quadrature, Clock Up/ Clock Down
Step Frequency (Max)	5.0 MHz
Step Frequency Minimum Pulse Width	100 nS

Table 1.2.5: Motion Specifications

Setup Parameters

The following table illustrates the setup parameters. These are easily configured using the IMS SPI Motor Interface configuration utility. An optional Parameter Setup Cable is available and recommended with the first order.

Microstepping MForce PowerDrive Setup Parameters				
Name	Function	Range	Units	Default
MHC	Motor Hold Current	0 to 100	percent	5
MRC	Motor Run Current	1 to 100	percent	25
MSEL	Microstep Resolution	1, 2, 4, 5, 8, 10, 16, 25, 32, 50, 64, 100, 108, 125, 127, 128, 180, 200, 250, 256	μsteps per full step	256
DIR	Motor Direction Override	0/1	—	CW
HCDT	Hold Current Delay Time	0 or 2-65535	mSec	500
CLK TYPE	Clock Type	Step/Dir. Quadrature, Up/Down	—	Step/Dir
CLK IOF	Clock and Direction Filter	50 nS to 12.9 μS (10 MHz to 38.8kHz)	nS (MHz)	200nS(2.5 MHz)
USER ID	User ID	Customizable	1-3 characters	IMS
WARN TEMP	Warning Temperature	0 to +125	°C	80
EN ACT	Enable Active High/Low	High or Low	—	High

Table 1.2.6: Setup Parameters

Mechanical Specifications - Dimensions in Inches (mm)

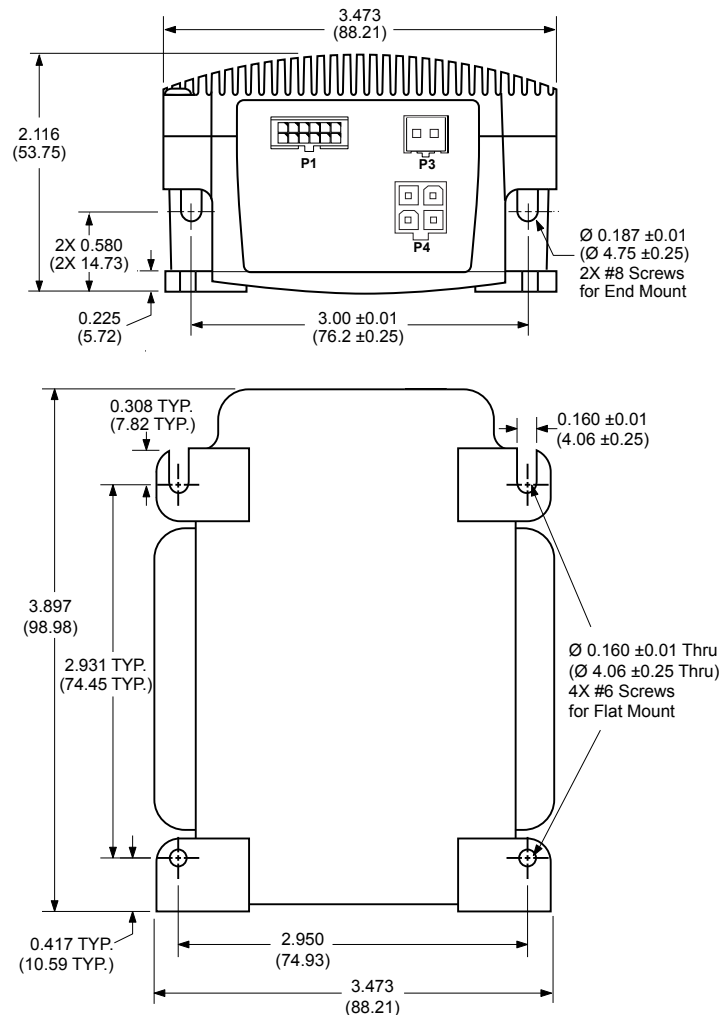


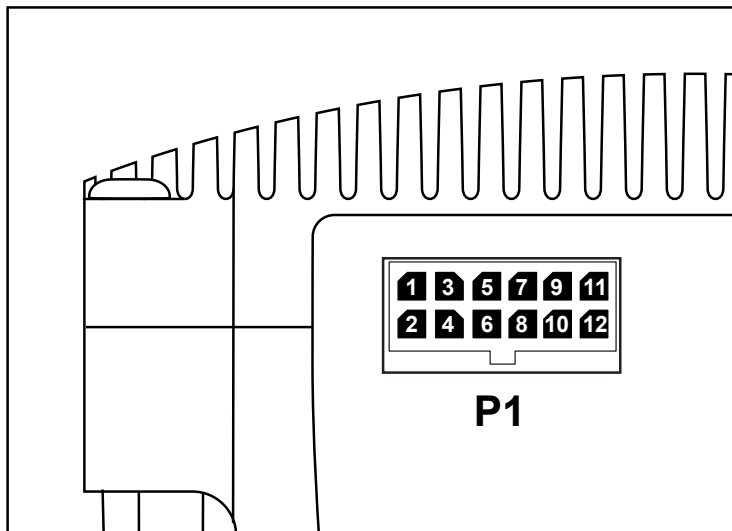
Figure 1.2.1: MForce PowerDrive Mechanical Specifications

Pin Assignment and Description

P1 12-Pin Locking Wire Crimp Connector Option - Power, I/O and SPI Communications

Pin Assignment - P1 Power, I/O and SPI Connections		
Pin #	Function	Description
Pin 1	N/C	No Connect
Pin 2	N/C	No Connect
Pin 3	Opto Reference	The Signal applied to the Optocoupler Reference will determine the sinking/ or sourcing configuration of the inputs. To set the inputs for sinking operation, a +5 to +24 VDC supply is connected. If sourcing, the Reference is connected to Ground.
Pin 4	Step Clock/Channel A/ Clock Up	Step Clock input. The step clock input will receive the clock pulses which will step the motor 1 step for each pulse. It may also receive quadrature and clock up type inputs if so configured.
Pin 5	Enable	Enable/Disable Input will enable or disable the driver output to the motor. In the disconnected state the driver outputs are enabled in either sinking or sourcing configuration.
Pin 6	Direction/Channel B/ Clock Down	Direction input. The axis direction will be with respect to the state of the Direction Override Parameter. It may also receive quadrature and clock up type inputs if so configured.
Pin 7	+5 VDC Output	Supply voltage for the MD-CC300-000 Cable ONLY!
Pin 8	SPI Clock	The Clock is driven by the SPI Master. The clock cycles once for each data bit.
Pin 9	GND	Communications Ground.
Pin 10	MISO	Master-In/Slave-Out. Carries output data from the MFM back to the SPI Master.
Pin 11	CS	SPI Chip Select. This signal is used to turn communications on multiple MFM units on or off.
Pin 12	MOSI	Master-Out/Slave-In. Carries output data from the SPI Master to the MFM.

Table 1.2.7: P1 Connector – Power, I/O and SPI Communications



Recommended Connector Shell and Pins

Shell: AMP P/N 1-794617-2
 Pins: 12 x AMP P/N 794610-1
 Wire: 22 AWG Shielded Twisted Pair

Figure 1.2.2: P1 — 12-Pin Locking Wire Crimp Pin Configuration



NEED A CABLE?
 The following cables and converters are available to interface with P1:

12-Pin Locking Wire Crimp
 PD12-1434-FL3



NEED A CABLE?
 The following cables and converters are available to interface communications with

USB to SPI:
 MD-C300-000

10-Pin IDC to 12-Pin Locking Wire Crimp Adapter

All SPI Communications will connect to the P1 Connector.

An adapter is available to interface the MD-CC300-000 to the 12-Pin Locking Wire Crimp connector.

MD-ADP-1723C

This adapter may be used in conjunction with the following Prototype Development cables to interface power and logic:

PD12-1434-FL3 (10')
 ADP-3512-FL (12")

See Appendix A for details.



NEED A CABLE?
The following cables and converters are available to interface with P3:

2-Pin Locking Wire Crimp
PD02-3400-FL3



WARNING! Do not plug or unplug DC Power with power applied.

P3 Connector - DC Power, 2-Pin Locking Wire Crimp

Pin Assignment - P3 Power		
2-Pin Locking Wire Crimp	Function	Description
Pin 1	+V	+12 to +75 VDC, 4 Amps Maximum per MDrive34Plus.
Pin 2	GND	Power Supply Return.

Table 1.2.8: P3 Connector

Recommended Connector Shell and Pins

Shell: Molex P/N 510-67-0200
Pins: 2 x Molex P/N 502-17-9101
Wire: 18 AWG Shielded Twisted Pair

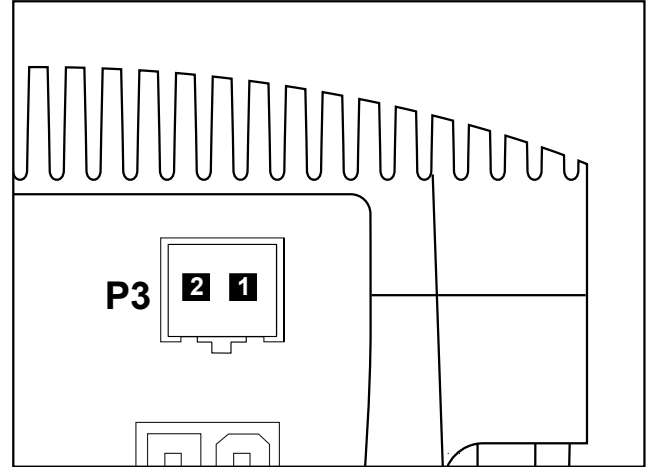


Figure 1.2.3: P3 — 2-Pin Locking Wire Crimp Pin Configuration



NEED A CABLE?
The following cables and converters are available to interface with P4:

4-Pin Locking Wire Crimp
PD04-MF34-FL3

P4 Connector - Motor

Pin Assignment - P4 Motor		
5-Pin Locking Wire Crimp	Function	Description
Pin 1	Phase A	Phase A Motor Output
Pin 2	Phase A	Phase A Motor Return
Pin 3	Phase B	Phase B Motor Output
Pin 4	Phase B	Phase B Motor Return
Recommended Cable		
PD04-MF34-FL3		

Table 1.2.9: P4 Connector

Recommended Connector Shell and Pins

Shell: Molex P/N 39-01-2045
Pins: 4 x Molex P/N 44476-3112
Wire: 16 AWG Shielded Twisted Pair

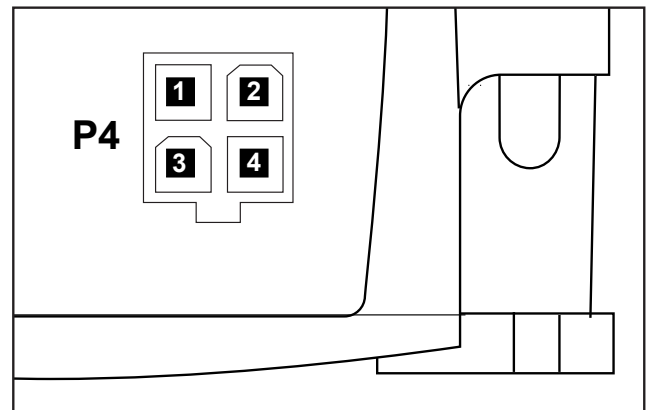


Figure 1.2.4: P4 — 4-Pin Locking Wire Crimp Pin Configuration

Options and Accessories

Parameter Setup Cable and Adapters

The optional 12.0' (3.6m) parameter setup cable part number MD-CC300-000 facilitates communications wiring and is recommended with first order. It connects from the 10-Pin IDC Connector located at P2 to a PC's USB port. If the 12-pin pluggable locking wire crimp connector is used at P1, adapter MD-ADP-1723C is required to use the MD-CC300-000.

USB to SPI.....MD-CC300-000

Prototype Development Cable

To speed prototype development, these cables connect to user interface via flying leads with MForce mating connector on opposite end.

Mating connector to 12-pin pluggable locking wire crimp plugs into MForce or adapter MD-ADP-1723C. Choose from 2 lengths:

12.0" (30.5cm).....ADP-3512-FL

10.0' (3.0m)..... PD12-1434-FL3

Mating connector to MForce 4-pin motor interface:

10.0' (3.0m)..... PD04-MF17-FL3



PART 2: INTERFACING AND CONFIGURING

Section 2.1: Mounting and Connection Recommendations

Section 2.2: Logic Interface and Connection

Section 2.3: Connecting SPI Communications

Section 2.4: Using the IMS SPI Motor Interface

Section 2.5: Using User-Defined SPI

Page Intentionally Left Blank

SECTION 2.1

Mounting and Connection Guidelines

Mounting Recommendations

The Microstepping MForce PowerDrive may be mounted two ways: end mounted or flat mounted. End mounting will use #8 hardware, flat mounting will use standard #6 hardware. Do not exceed the recommended mounting torque specification. The diagrams in Figures 2.1.1 and 2.1.2 illustrate the mounting methods.

**Recommended Tightening Torque:
7 - 8 lb-in (78.4 - 89.6 N-cm)**



NOTE: Mounting Hardware is not supplied.

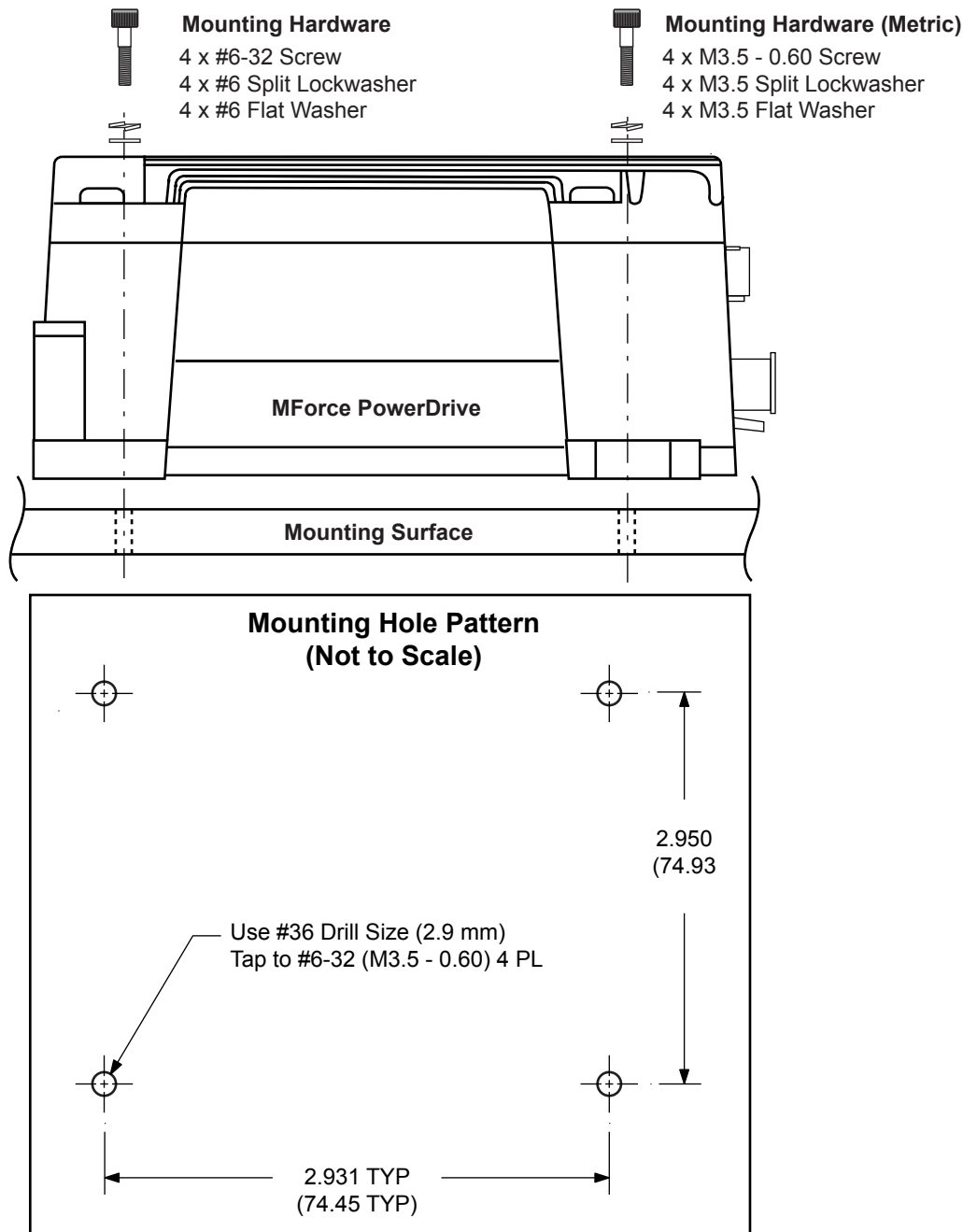


Figure 2.1.1: Base Mounting the MForce PowerDrive

N NOTE: Ensure that proper clearance is allowed for wiring and cabling. Especially when end mounting the device.

N NOTE: Mounting Hardware is not supplied.

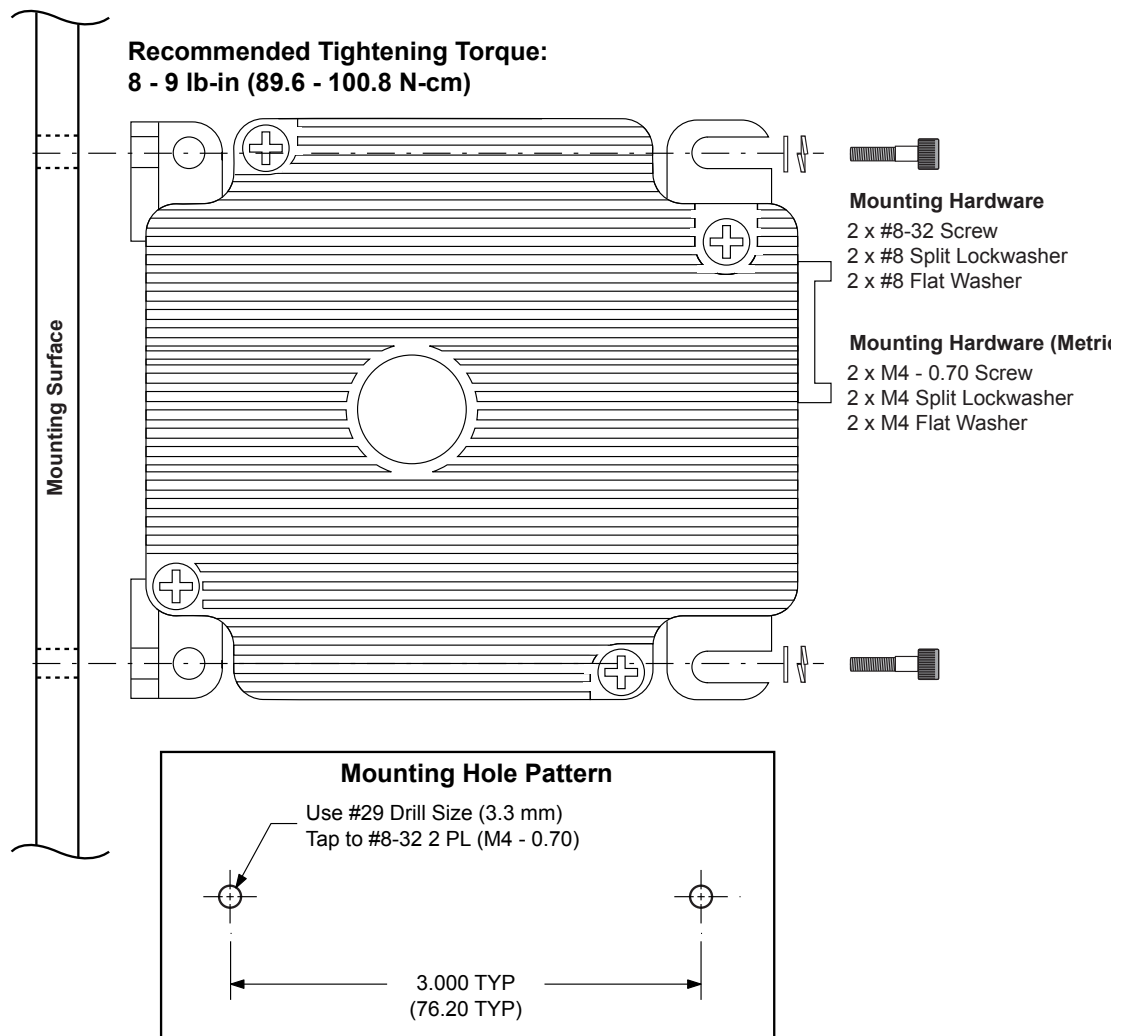


Figure 2.1.2: End Mounting the MForce PowerDrive

Securing Power Leads and Logic Leads

Some applications may require that the MForce and/or the connected motor to move with the axis motion. If this is a requirement of your application, the motor leads must be properly anchored. This will prevent flexing and tugging which can cause damage at critical connection points on the MForce connectors.

Layout and Interface Guidelines

Logic level cables must not run parallel to power cables. Power cables will introduce noise into the logic level cables and make your system unreliable.

Logic level cables must be shielded to reduce the chance of EMI induced noise. The shield needs to be grounded at the signal source to earth. The other end of the shield must not be tied to anything, but allowed to float. This allows the shield to act as a drain.

Power supply leads to the MForce PowerDrive need to be twisted. If more than one driver is to be connected to the same power supply, run separate power and ground leads from the supply to each driver.

Rules of Wiring

- Power Supply and Motor wiring should be shielded twisted pairs, and run separately from signal-carrying wires.
- A minimum of one twist per inch is recommended.
- Motor wiring should be shielded twisted pairs using 20 gauge, or for distances of more than 5 feet, 18 gauge or better.
- Power ground return should be as short as possible to established ground.
- Power supply wiring should be shielded twisted pairs of 18 gauge for less than 4 amps DC and 16 gauge for more than 4 amps DC.

Rules of Shielding

- The shield must be tied to zero-signal reference potential. It is necessary that the signal be earthed or grounded, for the shield to become earthed or grounded. Earthing or grounding the shield is not effective if the signal is not earthed or grounded.
- Do not assume that Earth ground is a true Earth ground. Depending on the distance from the main power cabinet, it may be necessary to sink a ground rod at the critical location.
- The shield must be connected so that shield currents drain to signal-earth connections.
- The number of separate shields required in a system is equal to the number of independent signals being processed plus one for each power entrance.
- The shield should be tied to a single point to prevent ground loops.
- A second shield can be used over the primary shield; however, the second shield is tied to ground at both ends.

Recommended Wiring

The following wiring/cabling is recommended for use with the MForce PowerDrive:

Logic Wiring.....	22 AWG
Wire Strip Length	0.25" (6.0 mm)
Power and Ground	18 AWG Shielded Twisted Pair*
Motor.....	16 AWG Shielded Twisted Pair

*See Table 2.2.1 if using a power cable longer than 10 feet. The Gauge used is dependant upon supply current and length.

Recommended Mating Connectors and Pins

Logic and SPI Communications (P1)

12-pin Locking Wire Crimp Connector Shell	AMP 1-794617-2
Crimp Pins.....	AMP 794610-1

Power (P3)

2-pin Locking Wire Crimp Connector Shell	Molex 51067-0200
Crimp Pins.....	Molex 50217-9101 Brass

Motor (P4)

4-pin Locking Wire Crimp Connector Shell	Molex 3901-2045
Crimp Pins.....	Molex 44476-3112

Page Intentionally Left Blank

Choosing a Power Supply for Your MForce PowerDrive

When choosing a power supply for your MForce PowerDrive there are performance and sizing issues that must be addressed. An undersized power supply can lead to poor performance and even possible damage to the device, which can be both time consuming and expensive. However, The design of the MForce PowerDrive is quite efficient and may not require as large a supply as you might suspect.

Motors have windings that are electrically just inductors, and with inductors comes resistance and inductance. Winding resistance and inductance result in a L/R time constant that resists the change in current. It requires five time constants to reach nominal current. To effectively manipulate the di/dt or the rate of charge, the voltage applied is increased. When traveling at high speeds there is less time between steps to reach current. The point where the rate of commutation does not allow the driver to reach full current is referred to as Voltage Mode. Ideally you want to be in Current Mode, which is when the drive is achieving the desired current between steps. Simply stated, a higher voltage will decrease the time it takes to charge the coil, and therefore will allow for higher torque at higher speeds.

Another characteristic of all motors is Back EMF, and though nothing can be done about back EMF, we can give a path of low impedance by supplying enough output capacitance. Back EMF is a source of current that can push the output of a power supply beyond the maximum operating voltage of the driver and as a result could damage the MForce PowerDrive over time.

The MForce PowerDrive is very current efficient as far as the power supply is concerned. Once the motor has charged one or both windings of the motor, all the power supply has to do is replace losses in the system. The charged winding acts as an energy storage in that the current will re-circulate within the bridge, and in and out of each phase reservoir. While one phase is in the decaying stage of the variable chopping oscillator, the other phase is in the charging stage, this results in a less than expected current draw on the supply.

The MForce PowerDrive is designed with the intention that a user's power supply output will ramp up to greater or equal to the minimum operating voltage. The initial current surge is quite substantial and could damage the driver if the supply is undersized. If a power supply is undersized, upon a current surge the supply could fall below the operating range of the driver. This could cause the power supply to start oscillating in and out of the voltage range of the driver and result in damaging either the supply, driver or both. There are two types of supplies commonly used, regulated and unregulated, both of which can be switching or linear. All have their advantages and disadvantages.

An unregulated linear supply is less expensive and more resilient to current surges, however, voltage decreases with increasing current draw. This can cause serious problems if the voltage drops below the working range of the drive. Also of concern is the fluctuations in line voltage. This can cause the unregulated linear supply to be above or below the anticipated voltage.

A regulated supply maintains a stable output voltage, which is good for high speed performance. They are also not bothered by line fluctuations, however, they are more expensive. Depending on the current regulation, a regulated supply may crowbar or current clamp and lead to an oscillation that as previously stated can lead to damage. Back EMF can cause problems for regulated supplies as well. The current regeneration may be too large for the regulated supply to absorb and may lead to an over voltage condition.

Switching supplies are typically regulated and require little real-estate, which makes them attractive. However, their output response time is slow, making them ineffective for inductive loads. IMS has designed a series of low cost miniature non-regulated switchers that can handle the extreme varying load conditions which makes them ideal for the MForce PowerDrive.

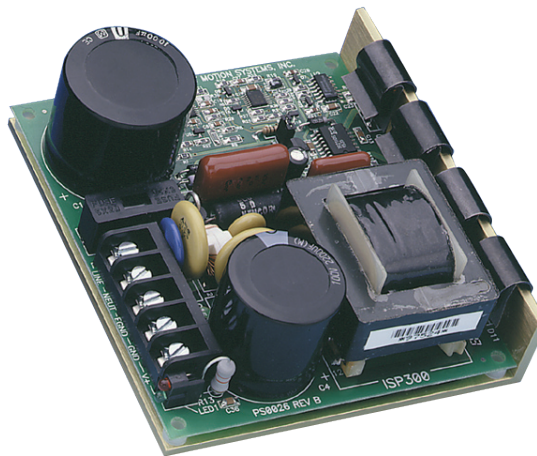


Figure 2.2.1: IMS ISP300 Switch Mode Power Supply

DC Power Supply Recommendations

The power requirements for the Microstepping MForce PowerDrive are:

Output Voltage	+12 to +75 VDC (Includes Back EMF)
Current (max. per unit)	4A
<i>(Actual power supply current requirement will depend upon voltage and load)</i>	

Recommended IMS Power Supplies

IMS unregulated linear and unregulated switching power supplies are the best fit for IMS drive products.

IP804 Unregulated Linear Supply

Input Range

120 VAC Versions	102-132 VAC
240 VAC Versions	204-264 VAC

Output (All Measurements were taken at 25°C, 120 VAC, 60 Hz)

No Load Output Voltage.....	76 VDC @ 0 Amps
Half Load Output.....	65 VDC @ 2 Amps
Full Load output.....	58 VDC @ 4 Amps

IP806 Unregulated Linear Supply

Input Range

120 VAC Versions	102-132 VAC
240 VAC Versions	204-264 VAC

Output (All Measurements were taken at 25°C, 120 VAC, 60 Hz)

No Load Output Voltage.....	76 VDC @ 0 Amps
Half Load Output.....	68 VDC @ 3 Amps
Full Load Output.....	64 VDC @ 6 Amps

ISP300-7 Unregulated Switching Supply

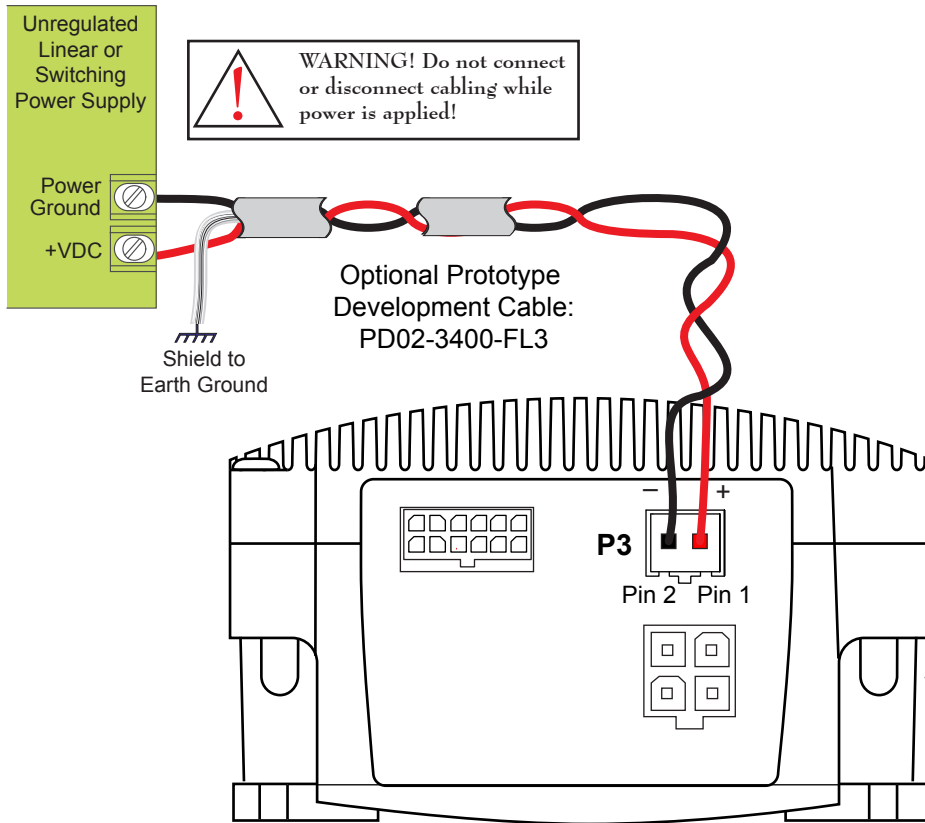
Input Range

120 VAC Versions	102-132 VAC
240 VAC Versions	204-264 VAC

Output (All Measurements were taken at 25°C, 120 VAC, 60 Hz)

No Load Output Voltage.....	68 VDC @ 0 Amps
Continuous Output Rating.....	63 VDC @ 2 Amps
Peak Output Rating	59 VDC @ 4 Amps

Basic DC Power Connection



WARNING! DO NOT connect or disconnect power leads when power is applied! Disconnect the AC power side to power down the DC power supply.

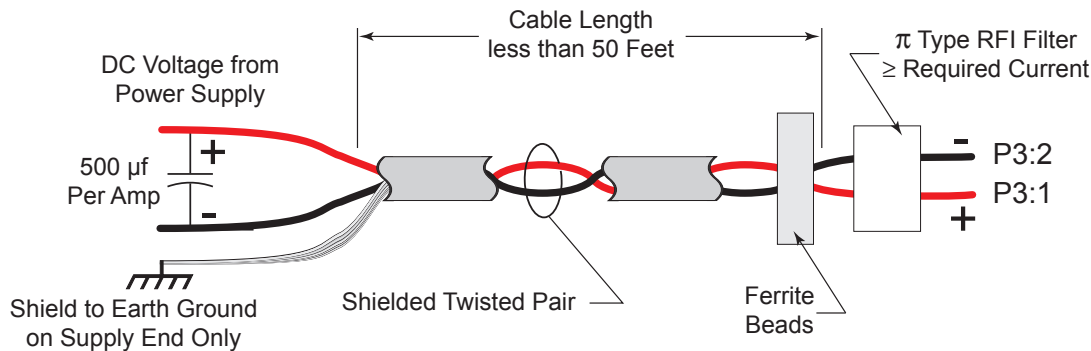
Recommended Power and Cable Configurations

Cable length, wire gauge and power conditioning devices play a major role in the performance of your MForce PowerDrive.

Example A demonstrates the recommended cable configuration for DC power supply cabling under 50 feet long. If cabling of 50 feet or longer is required, the additional length may be gained by adding an AC power supply cable (see Examples B & C).

Correct AWG wire size is determined by the current requirement plus cable length. Please see Table 2.2.1 for recommended wire gauges.

Example A: DC Power Cabling Under 50 Feet





WARNING! DO NOT connect or disconnect power leads when power is applied! Disconnect the AC power side to power down the DC power supply.

Example B: AC Power to Full Wave Bridge Cabling Over 50 Feet

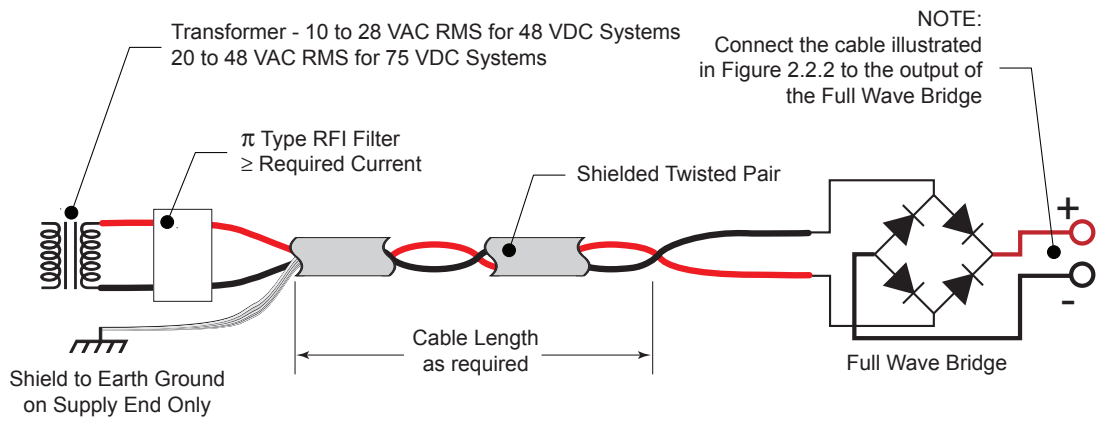


Figure 2.2.4: AC To Full Wave Bridge Rectifier, Cabling over 50 Feet

Example C - Cabling 50 Feet or Greater, AC Power to Power Supply

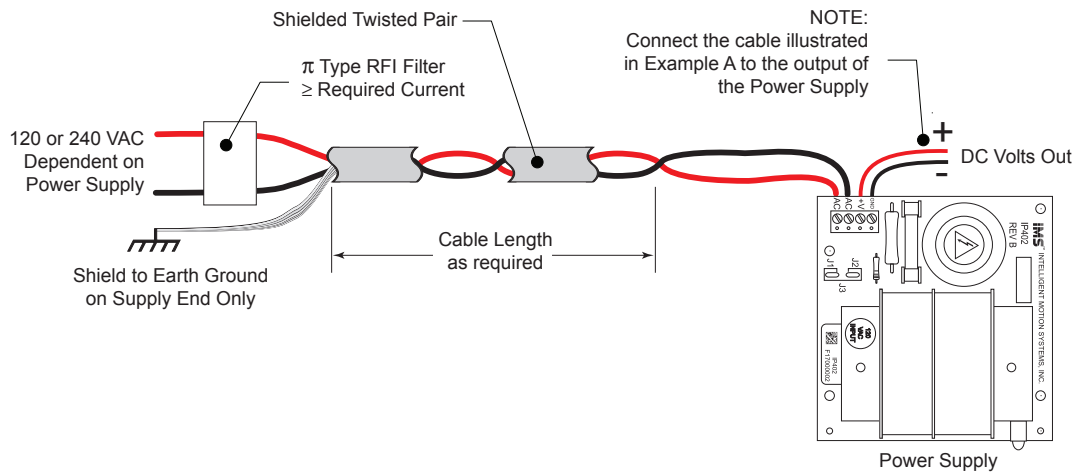


Figure 2.2.5: AC Cabling - 50 Feet or Greater - AC To Power Supply

MForce PowerDrive Recommended Power Supply Cable AWG											
1 Amperes (Peak)						3 Amperes (Peak)					
Length (Feet)	10	25	50*	75*	100*	Length (Feet)	10	25	50*	75*	100*
Minimum AWG	20	20	18	18	16	Minimum AWG	18	16	14	12	12
2 Amperes (Peak)						4 Amperes (Peak)					
Length (Feet)	10	25	50*	75*	100*	Length (Feet)	10	25	50*	75*	100*
Minimum AWG	20	18	16	14	14	Minimum AWG	18	16	14	12	12

*Use the alternative methods illustrated in examples B and C when cable length is ≥ 50 feet. Also, use the same current rating when the alternate AC power is used.

Table 2.2.1: Recommended Wire Gauges

Selecting a Motor

When selecting a stepper motor for your application, there are several factors that need to be taken into consideration:

- How will the motor be coupled to the load?
- How much torque is required to move the load?
- How fast does the load need to move or accelerate?
- What degree of accuracy is required when positioning the load?

While determining the answers to these and other questions is beyond the scope of this document, they are details that you must know in order to select a motor that is appropriate for your application. These details will affect everything from the power supply voltage to the type and wiring configuration of your stepper motor. The current and microstepping settings of your Microstepping MForce PowerDrive will also be affected.

Types and Construction of Stepping Motors

The stepping motor, while classed as a DC motor, is actually an AC motor that is operated by trains of pulses. Although it is called a “stepping motor”, it is in reality a polyphase synchronous motor. This means it has multiple phases wound in the stator and the rotor is dragged along in synchronism with the rotating magnetic field. The MForce PowerDrive is designed to work with the following types of stepping motors:

- 1) Permanent Magnet (PM)
- 2) Hybrid Stepping Motors

Hybrid stepping motors combine the features of the PM stepping motors with the features of another type of stepping motor called a variable reluctance motor (VR). VR motors are low torque and load capacity motors which are typically used in instrumentation. The MForce PowerDrive cannot be used with VR motors as they have no permanent magnet.

On hybrid motors, the phases are wound on toothed segments of the stator assembly. The rotor consists of a permanent magnet with a toothed outer surface which allows precision motion accurate to within ± 3 percent. Hybrid stepping motors are available with step angles varying from 0.45° to 15° with 1.8° being the most commonly used. Torque capacity in hybrid steppers ranges from 5 - 8000 ounce-inches. Because of their smaller step angles, hybrid motors have a higher degree of suitability in applications where precise load positioning and smooth motion is required.

Sizing a Motor for Your System

The MForce PowerDrive is a bipolar driver which works equally well with both bipolar and unipolar motors (i.e. 8 and 4 lead motors, and 6 lead center tapped motors).

To maintain a given set motor current, the MForce PowerDrive chops the voltage using a variable chopping frequency and a varying duty cycle. Duty cycles that exceed 50% can cause unstable chopping. This characteristic is directly related to the motor's winding inductance. In order to avoid this situation, it is necessary to choose a motor with a low winding inductance. The lower the winding inductance, the higher the step rate possible.

Winding Inductance

Since the MForce PowerDrive is a constant current source, it is not necessary to use a motor that is rated at the same voltage as the supply voltage. What is important is that the MForce PowerDrive is set to the motor's rated current.

The higher the voltage used the faster the current can flow through the motor windings. This in turn means a higher step rate, or motor speed. Care should be taken not to exceed the maximum voltage of the driver. Therefore, in choosing a motor for a system design, the best performance for a specified torque is a motor with the lowest possible winding inductance used in conjunction with highest possible driver voltage.

The winding inductance will determine the motor type and wiring configuration best suited for your system. While the equation used to size a motor for your system is quite simple, several factors fall into play at this point.

The winding inductance of a motor is rated in milliHenrys (mH) per Phase. The amount of inductance will depend on the wiring configuration of the motor.



NOTE: In calculating the maximum phase inductance, the minimum supply output voltage should be used when using an unregulated supply.

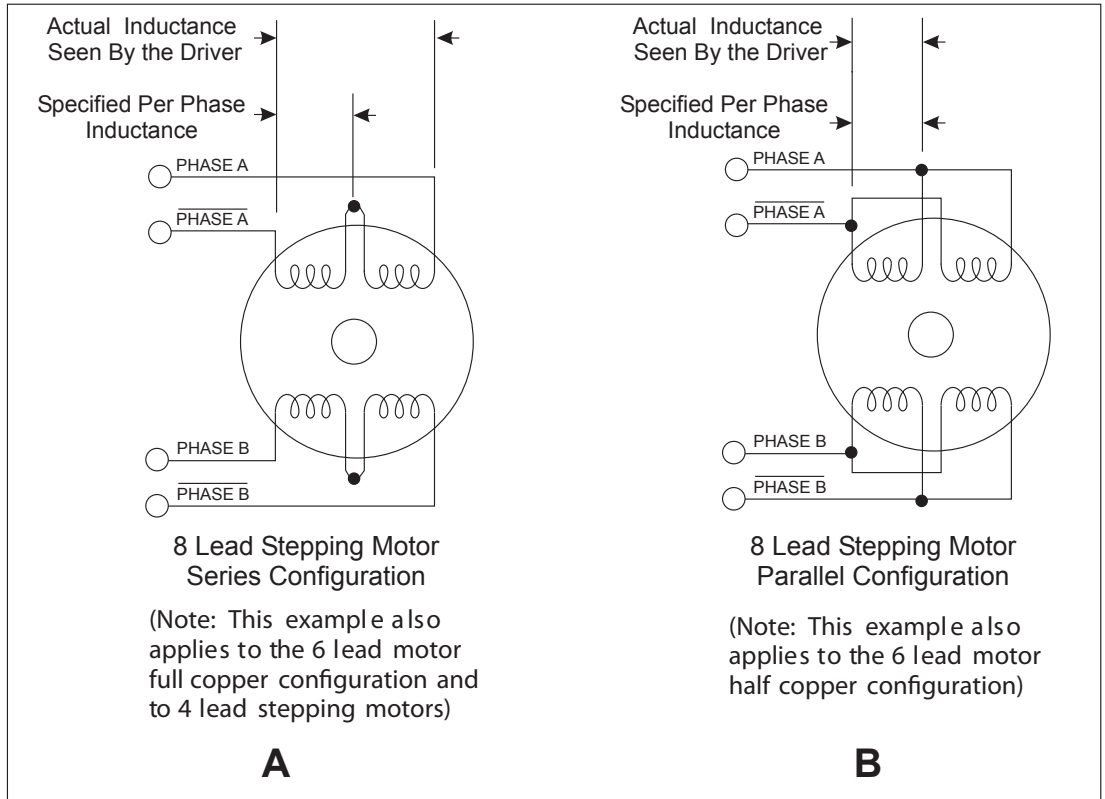


Figure 2.3.1 A & B: Per Phase Winding Inductance

The per phase winding inductance specified may be different than the per phase inductance seen by your MForce PowerDrive driver depending on the wiring configuration used. Your calculations must allow for the actual inductance that the driver will see based upon the wiring configuration.

Figure 2.3.1A shows a stepper motor in a series configuration. In this configuration, the per phase inductance will be 4 times that specified. For example: a stepping motor has a specified per phase inductance of 1.47mH. In this configuration the driver will see 5.88 mH per phase.

$$\text{Maximum Motor Inductance (mH per Phase)} = .2 \times \text{Minimum Supply Voltage}$$

Figure 2.3.1B shows an 8 lead motor wired in parallel. Using this configuration the per phase inductance seen by the driver will be as specified.

Using the following equation we will show an example of sizing a motor for a MForce PowerDrive used with an unregulated power supply with a minimum voltage (+V) of 18 VDC:

$$.2 \times 18 = 3.6 \text{ mH}$$

The recommended per phase winding inductance we can use is 3.6 mH.

Recommended IMS Motors

IMS also carries a series of 23 and 34 frame enhanced stepping motors that are recommended for use with the MForce PowerDrive. These motors use a unique relationship between the rotor and stator to generate more torque per frame size while ensuring more precise positioning and increased accuracy.

The special design allows the motors to provide higher torque than standard stepping motors while maintaining a steadier torque and reducing torque drop-off.

Each frame size is available in 3 stack sizes, single or double shaft, with or without encoders. They handle currents up to 2.4 Amps in series or 6 Amps parallel, and holding torque ranges from 90 oz.-in. (M-2218-2.4) to 1303 oz.-in (M-3447-6.3) (64 N-cm to 920 N-cm).

These CE rated motors are ideal for applications where higher torque is required.

For more detailed information on these motors, please see the IMS Full Line catalog or the IMS web site at <http://www.imshome.com>.

23 Frame Enhanced (2.4A - Not Available with Double Shaft)

Single Shaft	Double Shaft
M-2218-2.4S	N/A
M-2222-2.4S	N/A
M-2231-2.4S	N/A

23 Frame Enhanced (3.0A)

Single Shaft	Double Shaft
M-2218-3.0S	M-2218-3.0D
M-2222-3.0S	M-2222-3.0D
M-2231-3.0S	M-2231-3.0D

23 Frame Enhanced (6.0A)

Single Shaft	Double Shaft
M-2218-6.0S	M-2218-6.0D
M-2222-6.0S	M-2222-6.0D
M-2231-6.0S	M-2231-6.0D

34 Frame Enhanced (6.3A)

Single Shaft	Double Shaft
M-3424-6.3S	M-3424-6.3-D
M-3431-6.3S	M-3431-6.3D
M-3447-6.3S	M-3447-6.3D

IMS also offers 23 and 34 Frame hybrid linear actuators for use with the MForce PowerDrive. Please see the IMS Full Line catalog or the IMS web site at <http://www.imshome.com>.

IMS Inside Out Stepper Motors

The new inside out stepper (IOS) motor was designed by IMS to bring versatility to stepper motors using a unique multi-functional, hollow core design.

This versatile new motor can be converted to a ball screw linear actuator by mounting a miniature ball screw to the front shaft face. Ball screw linear actuators offer long life, high efficiency, and can be field retrofitted. There is no need to throw the motor away due to wear of the nut or screw.

The IOS motors offer the following features:

- The shaft face diameter offers a wide choice of threaded hole patterns for coupling.
- The IOS motor can be direct coupled in applications within the torque range of the motor, eliminating couplings and increasing system efficiency.
- The IOS motor can replace gearboxes in applications where gearboxes are used for inertia damping between the motor and the load. The induced backlash from the gearbox is eliminated providing improved bidirectional position accuracy.
- Electrical or pneumatic lines can be directed through the center of the motor enabling the motors to be stacked end-to-end or applied in robotic end effector applications. The through hole is stationary, preventing cables from being chaffed by a moving hollow shaft.
- Light beams can be directed through the motor for refraction by a mirror or filter wheel mounted on the shaft mounting face.
- The IOS motor is adaptable to valves enabling the valve stem to protrude above the motor frame. The stem can be retrofitted with a dial indicator showing valve position.
- The motor is compatible with IMS bipolar drivers, keeping the system cost low.
- The IOS motor can operate up to 3000 rpm's.

The IOS motor is available in the following frames:

Frame Size	IMS PN
23 Frame.....	M3-2220-IOS
34 Frame.....	M3-3424-IOS

Connecting the Motor

The motor leads are connected to the following connector pins:

Phase	Connector: Pin
Phase A	P4: 1
Phase A	P4: 2
Phase B	P4: 3
Phase B	P4: 4

8 Lead Motors

8 lead motors offer a high degree of flexibility to the system designer in that they may be connected in series or parallel, thus satisfying a wide range of applications.

Series Connection

A series motor configuration would typically be used in applications where a higher torque at lower speeds is required. Because this configuration has the most inductance, the performance will start to degrade at higher speeds. Use the per phase (or unipolar) current rating as the peak output current, or multiply the bipolar current rating by 1.4 to determine the peak output current.

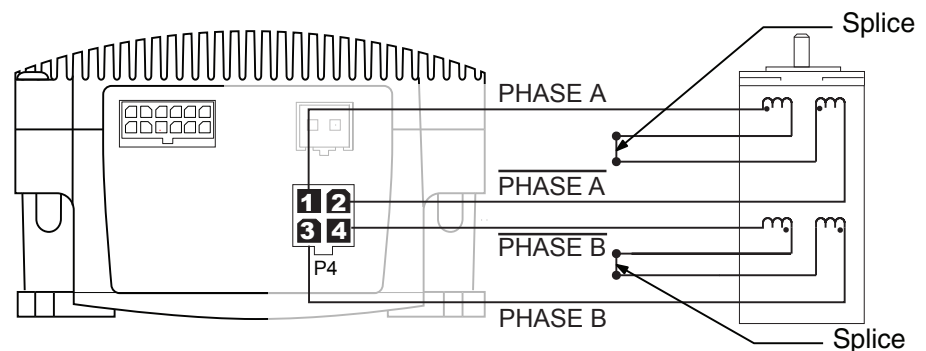


Figure 2.3.2: 8 Lead Motor Series Connections

Parallel Connection

An 8 lead motor in a parallel configuration offers a more stable, but lower torque at lower speeds. But because of the lower inductance, there will be higher torque at higher speeds. Multiply the per phase (or unipolar) current rating by 1.96, or the bipolar current rating by 1.4, to determine the peak output current.

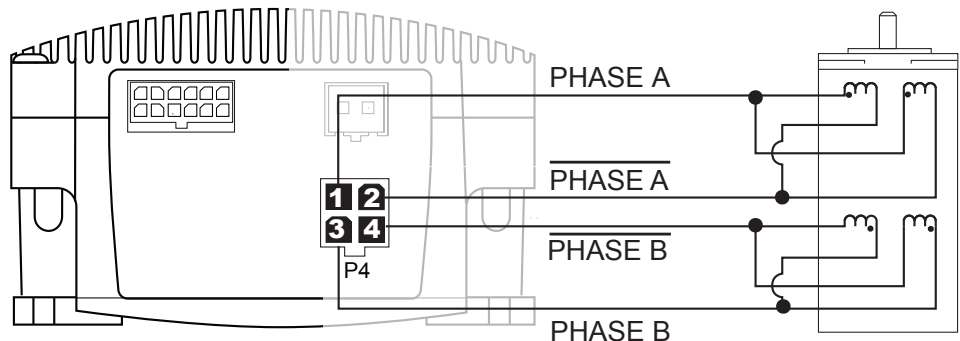


Figure 2.3.3: 8 Lead Motor Parallel Connections

6 Lead Motors

Like 8 lead stepping motors, 6 lead motors have two configurations available for high speed or high torque operation. The higher speed configuration, or *half coil*, is so described because it uses one half of the motor's inductor windings. The higher torque configuration, or *full coil*, uses the full windings of the phases.

Half Coil Configuration

As previously stated, the half coil configuration uses 50% of the motor phase windings. This gives lower inductance, hence, lower torque output. Like the parallel connection of 8 lead motor, the torque output will be more stable at higher speeds. This configuration is also referred to as *half copper*. In setting the driver output current multiply the specified per phase (or unipolar) current rating by 1.4 to determine the peak output current.

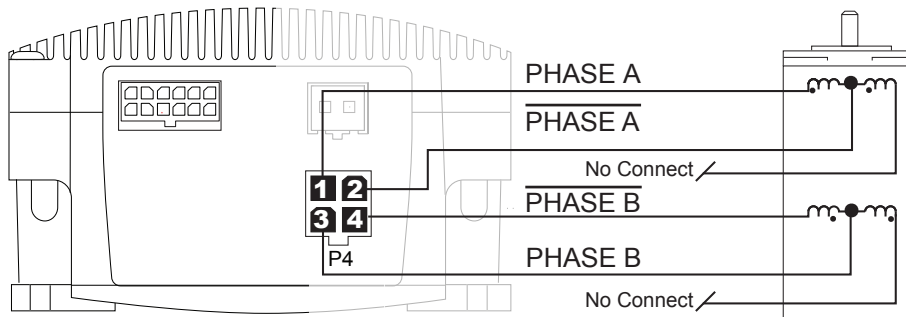


Figure 2.3.4: 6 Lead Half Coil (Higher Speed) Motor Connections

Full Coil Configuration

The full coil configuration on a six lead motor should be used in applications where higher torque at lower speeds is desired. This configuration is also referred to as *full copper*. Use the per phase (or unipolar) current rating as the peak output current.

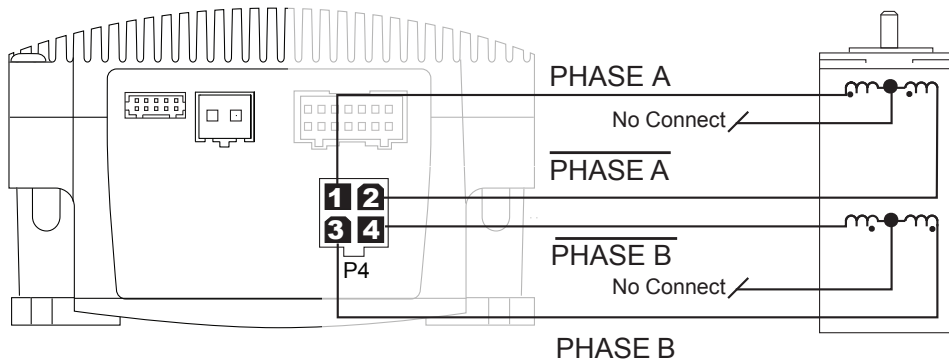


Figure 2.3.5: 6 Lead Full Coil (Higher Torque) Motor Connections

4 Lead Motors

4 lead motors are the least flexible but easiest to wire. Speed and torque will depend on winding inductance. In setting the driver output current, multiply the specified phase current by 1.4 to determine the peak output current.

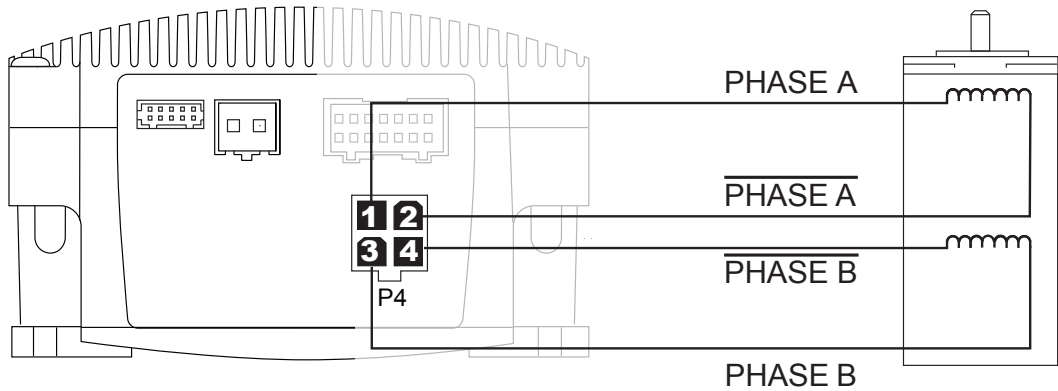


Figure 2.3.6: 4 Lead Motor Connections

Recommended Motor Cabling

As with the power supply wiring, motor wiring should be run separately from logic wiring to minimize noise coupled onto the logic signals. Motor cabling exceeding 1' in length should be shielded twisted pairs to reduce the transmission of EMI (Electromagnetic Interference) which can lead to rough motor operation and poor system performance.

Cable length, wire gauge and power conditioning devices play a major role in the performance of your MForce PowerDrive and Stepper Motor.

NOTE: The length of the DC power supply cable between the MForce PowerDrive and the Motor should not exceed 50 feet.

Example A demonstrates the recommended cable configuration for the MForce PowerDrive to Motor cabling under 50 Feet long. If cabling of 50 feet or longer is required, the additional length can be gained with the cable configuration in Example B.

Correct AWG wire size is determined by the current requirement plus cable length. Please see Table 2.3.1 on the following page.

Example A: Motor Cabling Less Than 50 Feet

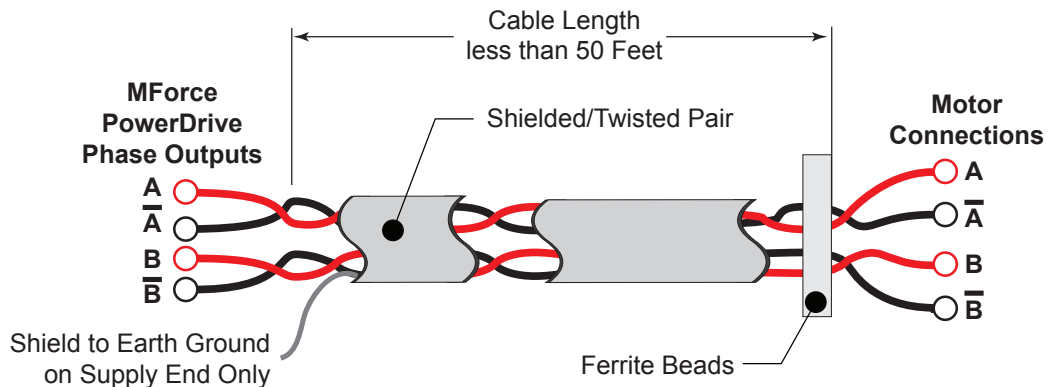
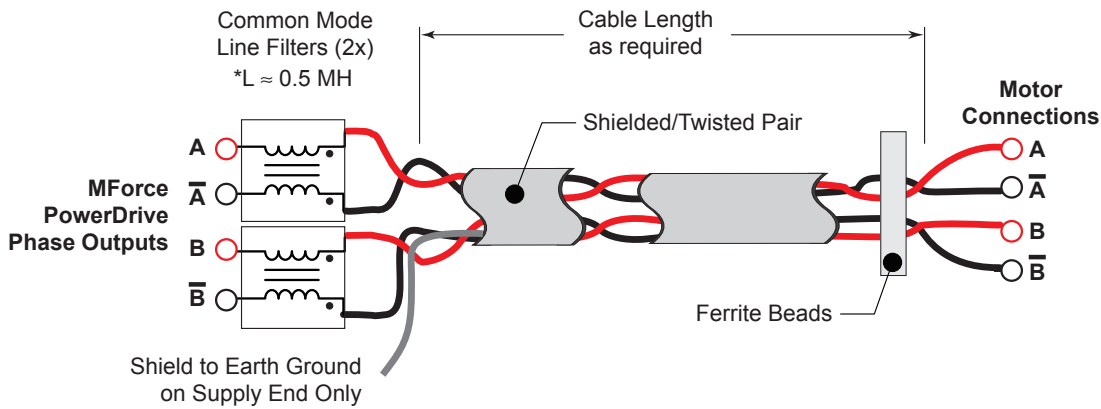


Figure 2.3.7: Motor Cabling Less than 50 Feet

Example B: Motor Cabling Greater Than 50 Feet



* 0.5 MH is a typical starting point for the Common Mode Line Filters. By increasing or decreasing the value of L you can set the drain current to a minimum to meet your application's requirements.

Figure 2.3.8: Motor Cabling Greater than 50 Feet

Recommended Motor Cable AWG Sizes

MForce PowerDrive Recommended Motor Cable AWG											
1 Amperes (Peak)						5 Amperes (Peak)					
Length (Feet)	10	25	50*	75*	100*	Length (Feet)	10	25	50*	75*	100*
Minimum AWG	20	20	18	18	16	Minimum AWG	16	16	14	12	12
2 Amperes (Peak)						6 Amperes (Peak)					
Length (Feet)	10	25	50*	75*	100*	Length (Feet)	10	25	50*	75*	100*
Minimum AWG	20	18	16	14	14	Minimum AWG	14	14	14	12	12
3 Amperes (Peak)						7 Amperes (Peak)					
Length (Feet)	10	25	50*	75*	100*	Length (Feet)	10	25	50*	75*	100*
Minimum AWG	18	16	14	12	12	Minimum AWG	12	12	12	12	12
4 Amperes (Peak)											
Length (Feet)	10	25	50*	75*	100*						
Minimum AWG	18	16	14	12	12						

*Use the alternative methods illustrated in example B when cable length is ≥ 50 feet. Also, use the same current rating when the alternate AC power is used.

Table 2.3.1: Recommended Wire Gauges

Optically Isolated Logic Inputs

The Microstepping MForce PowerDrive has three optically isolated logic inputs which are located on connector P1. These inputs are isolated to minimize or eliminate electrical noise coupled onto the drive control signals. Each input is internally pulled-up to the level of the optocoupler supply and may be connected to sinking or +5 to +24 VDC sourcing outputs on a controller or PLC. These inputs are:

- 1) Step Clock (SCLK)/Quadrature (CH A)/Clock UP
- 2) Direction (DIR)/Quadrature (CH B)/ Clock DOWN
- 3) Enable (EN)

Of these inputs only step clock and direction are required to operate the Microstepping MForce PowerDrive.

Isolated Logic Input Pins and Connections

The following diagram illustrates the pins and connections for the Microstepping MForce PowerDrive family of products. Careful attention should be paid to verify the connections on the model Microstepping MForce PowerDrive you are using.

Isolated Logic Input Characteristics

Enable Input

This input can be used to enable or disable the driver output circuitry. Leaving the enable switch open (Logic HIGH, Disconnected) for sinking or sourcing configuration, the driver outputs will be enabled and the step clock pulses will cause the motor to advance. When this input switch is closed (Logic LOW) in both sinking

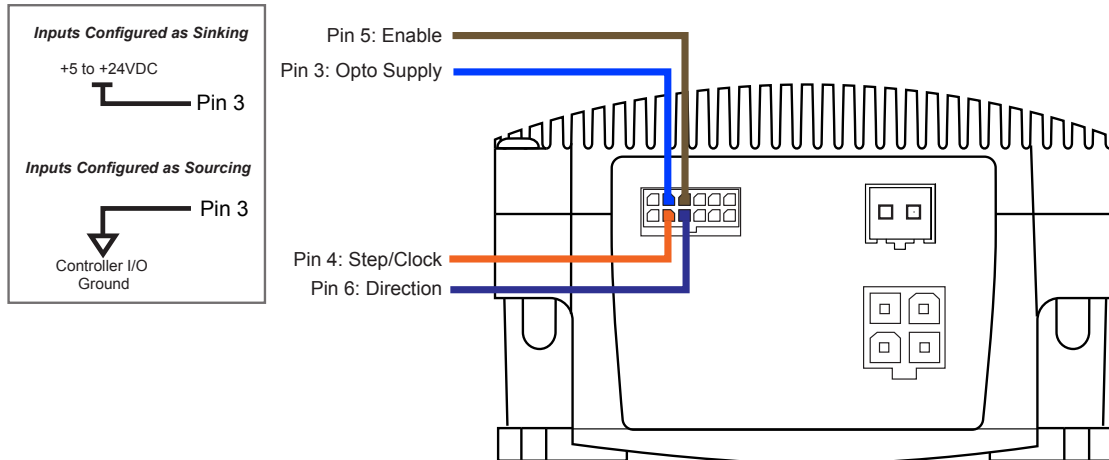


Figure 2.4.1: Isolated Logic Pins and Connections

and sourcing configurations, the driver output circuitry will be disabled. Please note that the internal sine/cosine position generator will continue to increment or decrement as long as step clock pulses are being received by the Microstepping MForce PowerDrive.

Clock Inputs

The Microstepping MForce PowerDrive features the ability to configure the clock inputs based upon how the user will desire to control the drive. By default the unit is configured for the Step/Direction function.

Step Clock

The step clock input is where the motion clock from your control circuitry will be connected. The motor will advance one microstep in the plus or minus direction (based upon the state of the direction input) on the rising edge of each clock pulse. The size of this increment or decrement will depend on the microstep resolution setting.

Direction

The direction input controls the CW/CCW direction of the motor. The input may be configured as sinking or sourcing based upon the state of the Optocoupler Reference. The CW/CCW rotation, based upon the state of the input may be set using the IMS Motor Interface software included with the Microstepping MForce PowerDrive.

Quadrature

The Quadrature clock function would typically be used for following applications where the Microstepping MForce PowerDrive would be slaved to an MForce PowerDrive Microstepping (or other controller) in an electronic gearing application.

Up/Down

The Up/Down clock would typically be used in a dual-clock direction control application.

Input Timing

The direction input and the microstep resolution inputs are internally synchronized to the positive going edge of the step clock input. When a step clock pulse goes HIGH, the state of the direction input and microstep resolution settings are latched. Any changes made to the direction and/or microstep resolution will occur on the rising edge of the step clock pulse following this change. Run and Hold Current changes are updated immediately. The following figure and table list the timing specifications.

Input Filtering

The clock inputs may also be filtered using the Clock IOF pull down of the IMS SPI Motor Interface. The filter range is from 50 nS (10 MHz) to 12.9 μSec. (38.8 kHz).

The configuration parameters for the input filtering is covered in detail in Section 2.4: Configuring the Microstepping MForce PowerDrive.

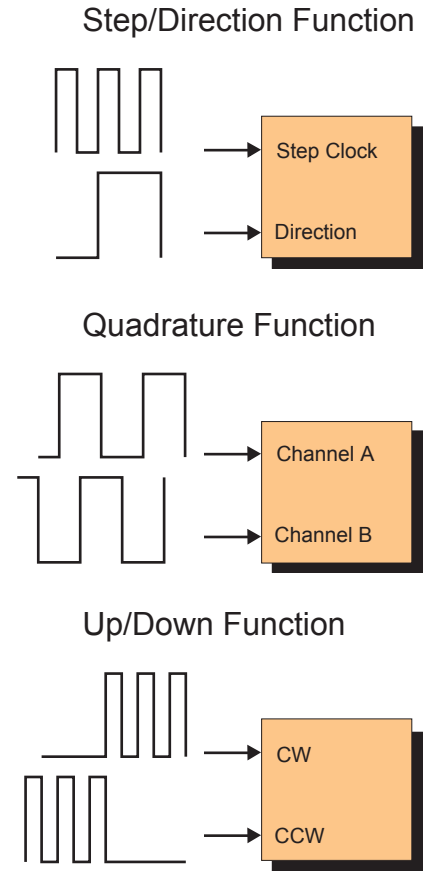


Figure 2.4.2: Input Clock Functions

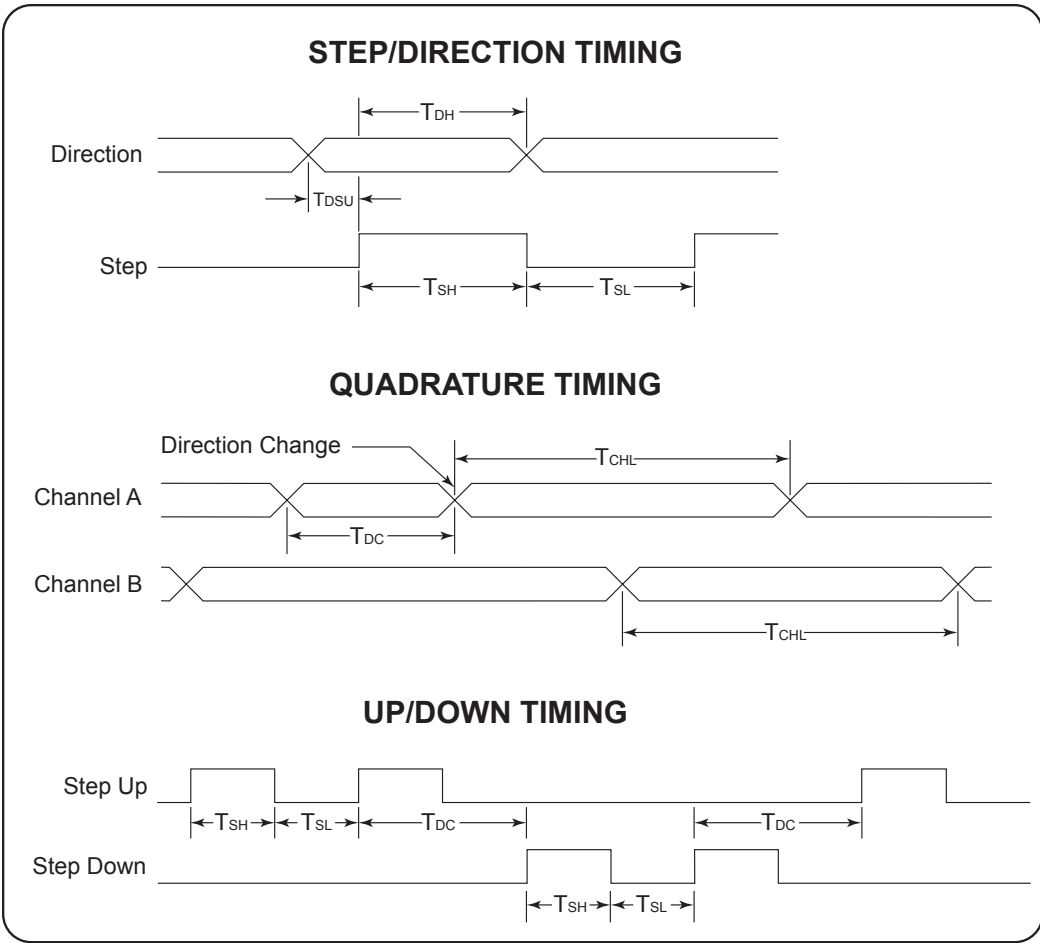


Figure 2.4.3: Clock Input Timing Characteristics

Clock Input Timing					
Symbol	Parameter	Type and Value			
		Step/Direction	Step Up/Down	Quadrature	Units
T_{DSU}	T Direction Set Up	50	—	—	nS min
T_{DH}	T Direction Hold	100	—	—	nS min
T_{SH}	T Step High	100	100	—	nS min
T_{SL}	T Step Low	100	100	—	nS min
T_{DL}	T Direction Change	—	200	200	nS min
T_{CHL}	T Channel High/Low	—	—	400	nS min
F_{SMAX}	F Step Maximum	5	5	—	MHz Max
F_{CHMAX}	F Channel Maximum	—	—	1.25	MHz Max
F_{ER}	F Edge Rate	—	—	5	MHz Max

Table 2.4.1: Input Clocks Timing Table



NOTE: When connecting the Optocoupler Supply, it is recommended that you do not use MForce Power Ground as Ground as this will defeat the optical isolation.

Optocoupler Reference

The Microstepping MForce PowerDrive Logic Inputs are optically isolated to prevent electrical noise being coupled into the inputs and causing erratic operation.

There are two ways that the Optocoupler Reference will be connected depending whether the Inputs are to be configured as sinking or sourcing.

Optocoupler Reference	
Input Type	Optocoupler Reference Connection
Sinking	+5 to +24 VDC
Sourcing	Controller Ground

Table 2.4.2: Optocoupler Reference Connection

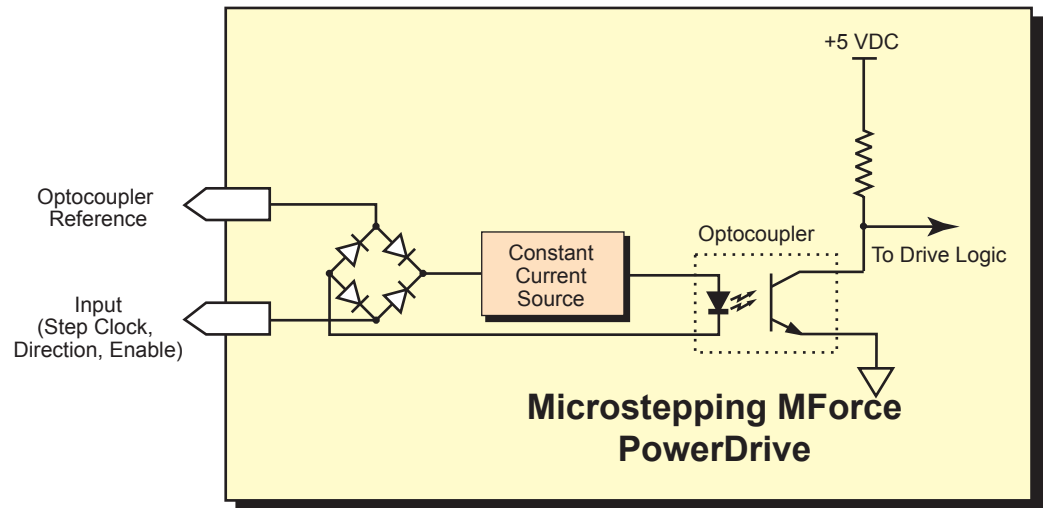


Figure 2.4.4: Optocoupler Input Circuit Diagram

Input Connection Examples

The following diagrams illustrate possible connection/application of the Microstepping MForce PowerDrive Logic Inputs.

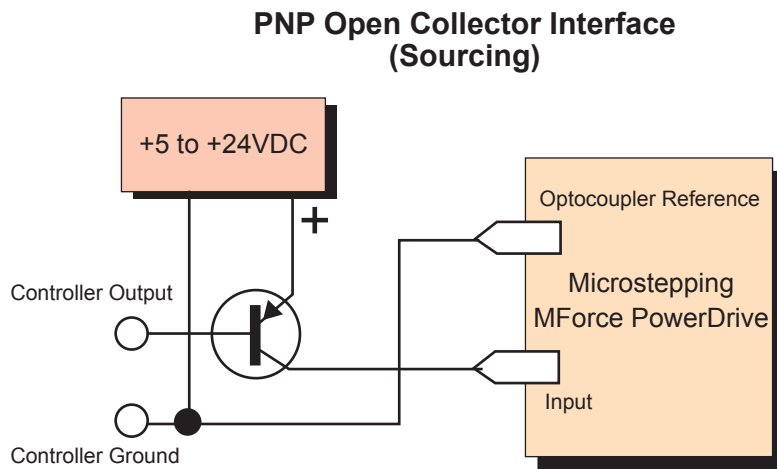
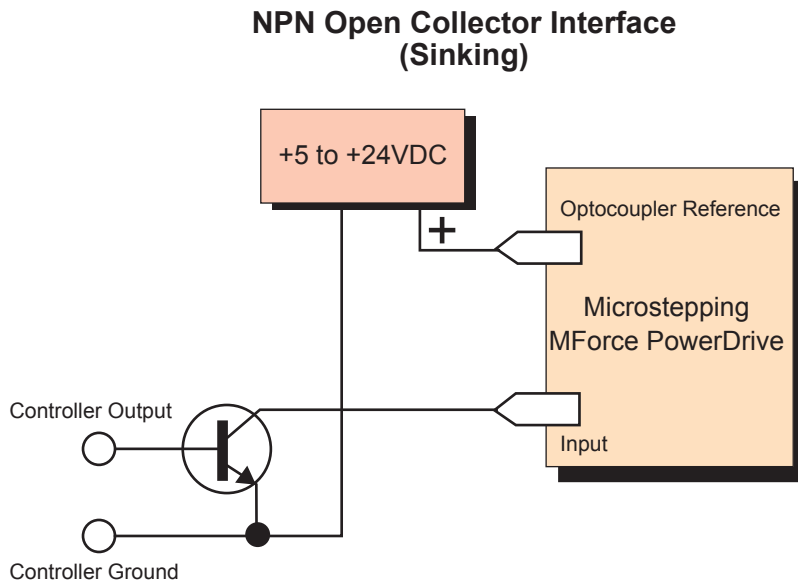
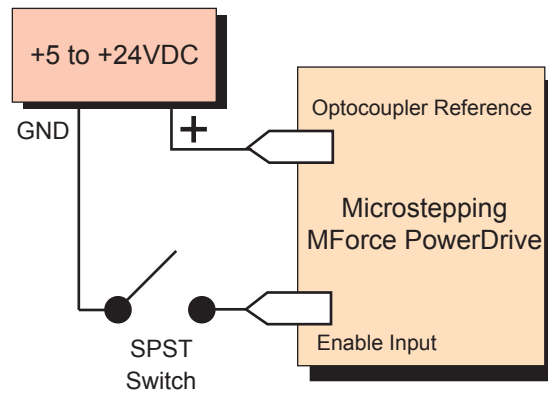


Figure 2.4.5: Open Collector Interface Example

Switch Interface Example

Switch Interface (Sinking)



Switch Interface (Sourcing)

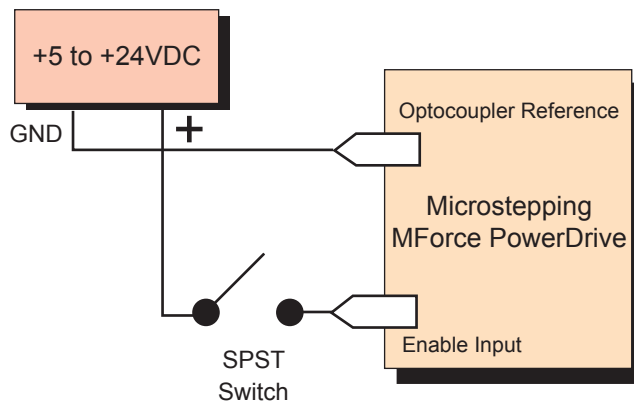


Figure 2.4.6: Switch Interface Example

Minimum Required Connections

The connections shown are the minimum required to operate the Microstepping MForce PowerDrive. These are illustrated in both Sinking and Sourcing Configurations. Please reference the Pin Configuration diagram and Specification Tables for the Microstepping MForce PowerDrive connector option you are using.

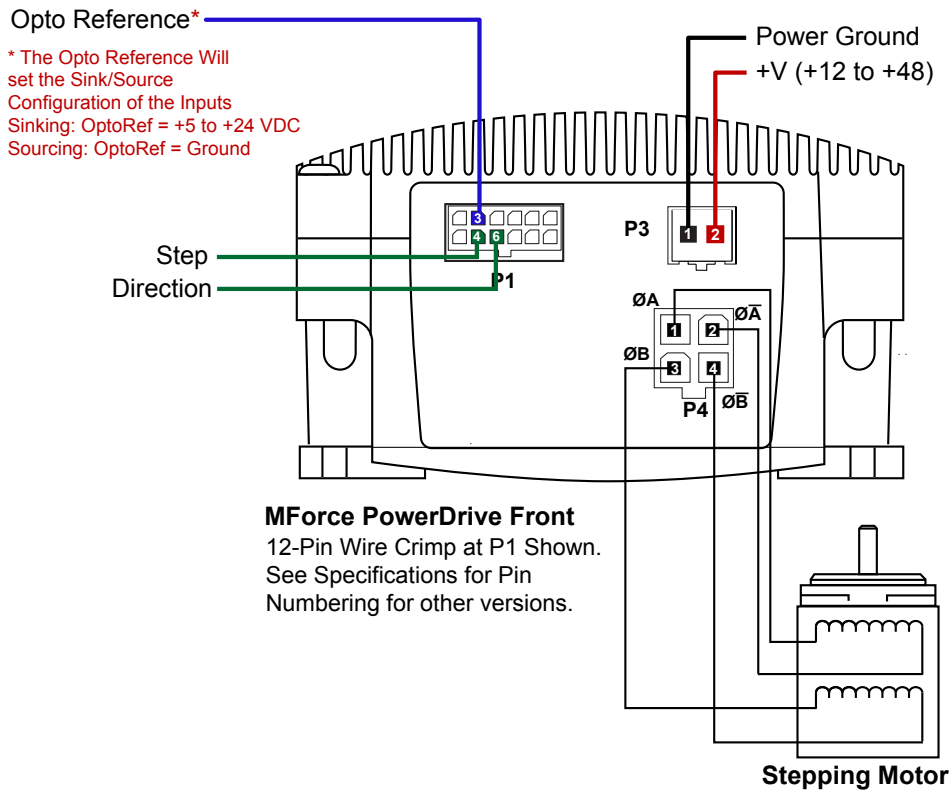


Figure 2.4.7: Minimum Required Connections

Connecting the SPI Interface

The SPI (Serial Peripheral Interface) is the communications and configuration interface.

For prototyping we recommend the purchase of the parameter setup cable MD-CC300-000. If using the Microstepping MForce PowerDrive with the 10-Pin IDC on P2, this cable will plug directly into the P2 Connector.

If using the model with a 12-Pin Locking Wire Crimp connector, adapters are available to interface the parameter setup cable to P1.

For more information on prototype development cables, please see Appendix: Prototype Development Cables.



Figure 2.5.1: MD-CC300-000 Parameter Setup Cable

SPI Signal Overview

+5 VDC (Output)

This output is a voltage supply for the setup cable only. It is not designed to power any external devices.

SPI Clock

The Clock is driven by the Master and regulates the flow of the data bits. The Master may transmit data at a variety of baud rates. The Clock cycles once for each bit that is transferred.

Logic Ground

This is the ground for all Communications.

MISO (Master In/Slave Out)

Carries output data from the Microstepping MForce PowerDrive units back to the SPI Master. Only one MForce PowerDrive can transmit data during any particular transfer.

CS (SPI Chip Select)

This signal is used to turn multiple Microstepping MForce PowerDrive units on or off.

MOSI (Master Out/Slave In)

Carries output data from the SPI Master to the Microstepping MForce PowerDrive.

SPI Pins and Connections

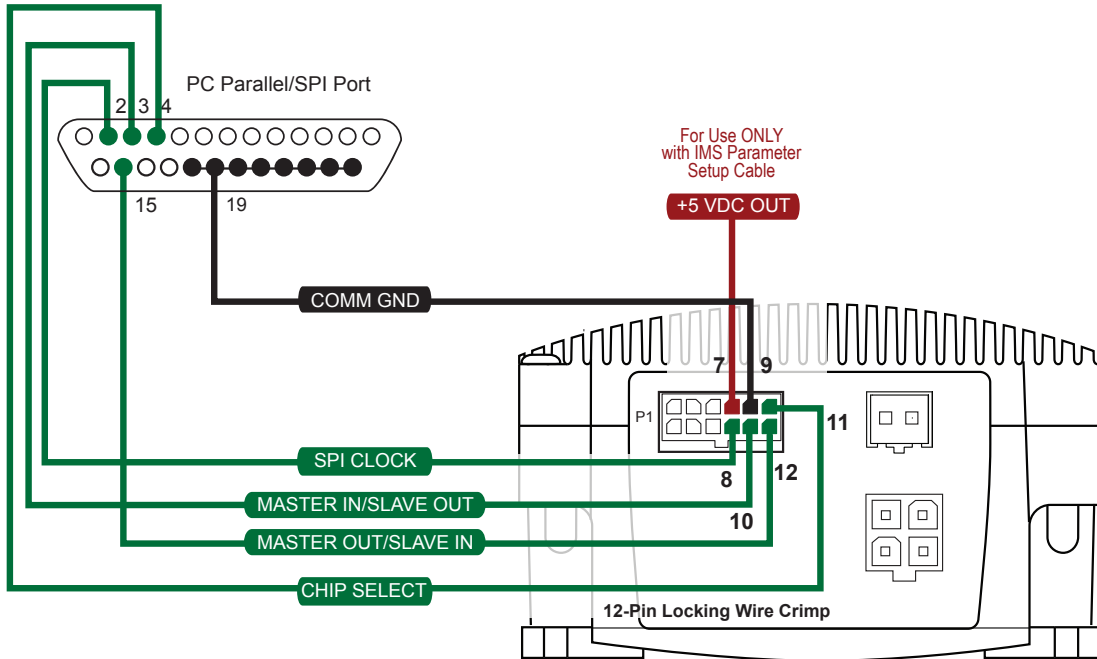


Figure 2.5.2: SPI Pins and Connections, 12-Pin Wire Crimp

Logic Level Shifting and Conditioning Circuit

The following circuit diagram is of a Logic Level shifting and conditioning circuit. This circuit should be used if you are making your own parameter cable and are using a laptop computer with 3.3 V output parallel ports.

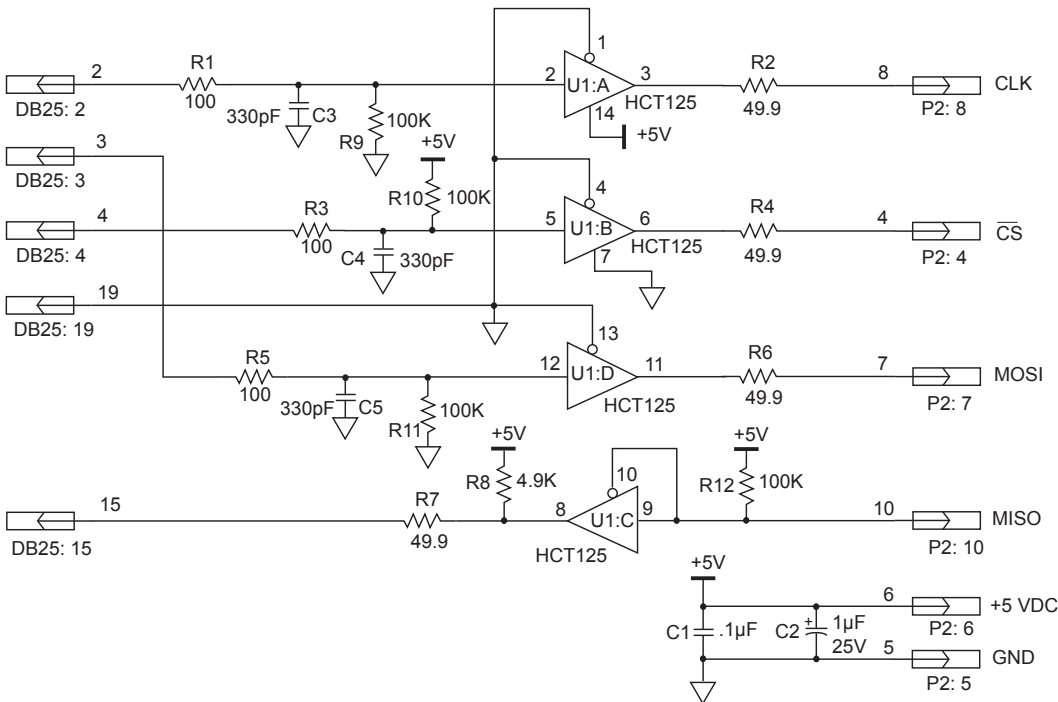


Figure 2.5.3: Logic Level Shifting and Conditioning Circuit

N NOTE: If making your own parameter setup cable, be advised the 3.3V output parallel ports on some laptop PC's may not be sufficient to communicate with the device without use of a logic level shifting and conditioning interface.

SPI Master with Multiple Microstepping MForce PowerDrive

It is possible to link multiple Microstepping MForce PowerDrive units in an array from a single SPI Master by wiring the system and programming the user interface to write to multiple chip selects.

Each MForce on the bus will have a dedicated chip select. Only one system MForce can be communicated with/Parameters changed at a time.

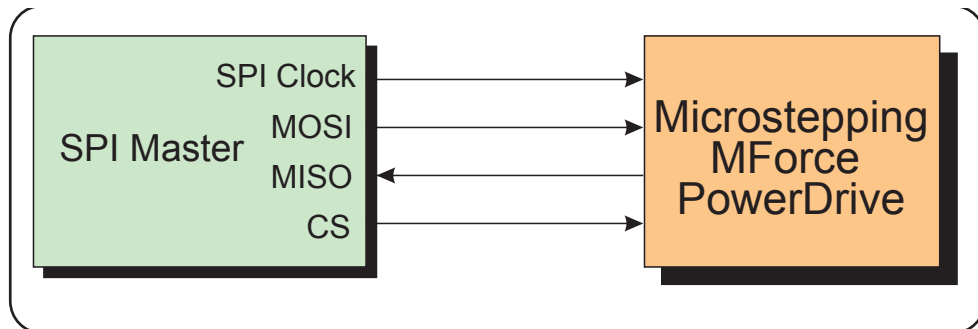


Figure 2.5.4: SPI Master with a Single Microstepping MForce PowerDrive

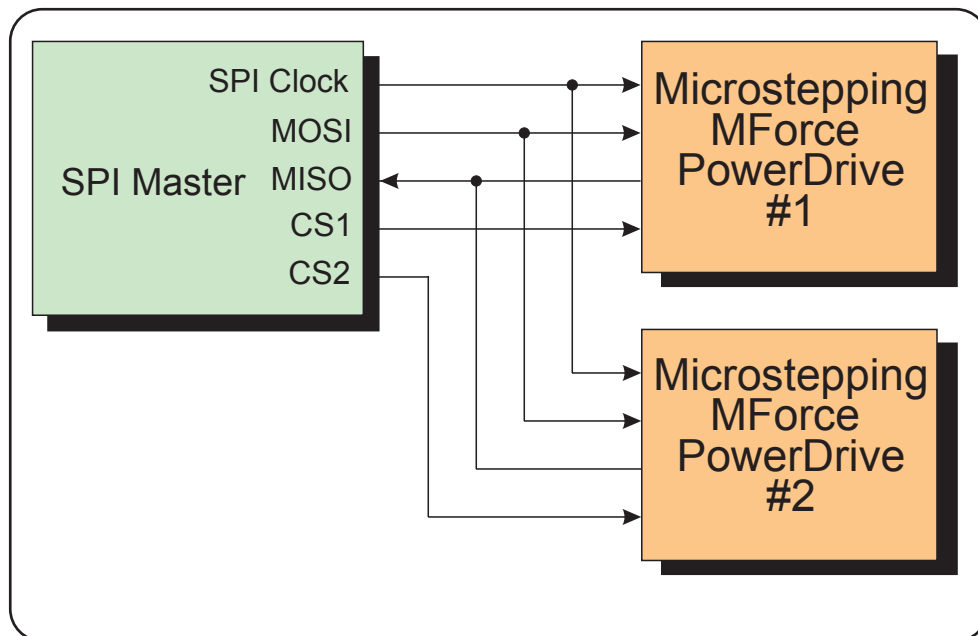


Figure 2.5.5: SPI Master with Multiple Microstepping MForce PowerDrives

Using the IMS SPI Motor Interface

Installation

The IMS SPI Motor Interface is a utility that easily allows you to set up the parameters of your Microstepping MForce PowerDrive. It is available both on the CD that came with your product and on the IMS web site at http://www.imshome.com/software_interfaces.html.

1. Insert the CD into the CD Drive of your PC.
If not available, go to http://www.imshome.com/software_interfaces.html.
2. The CD will auto-start.
3. Click the Software Button in the top-right navigation Area.
4. Click the IMS SPI Interface link appropriate to your operating system.
5. Click SETUP in the Setup dialog box and follow the on-screen instructions.
6. Once IMS SPI Motor Interface is installed, the Microstepping MForce PowerDrive settings can be checked and/or set.

Configuration Parameters and Ranges

Microstepping MForce PowerDrive Setup Parameters				
Name	Function	Range	Units	Default
MHC	Motor Hold Current	0 to 100	percent	5
MRC	Motor Run Current	1 to 100	percent	25
MSEL	Microstep Resolution	1, 2, 4, 5, 8, 10, 16, 25, 32, 50, 64, 100, 108, 125, 127, 128, 180, 200, 250, 256	µsteps per full step	256
DIR	Motor Direction Override	0/1	—	CW
HCDT	Hold Current Delay Time	0 or 2-65535	mSec	500
CLK TYPE	Clock Type	Step/Dir. Quadrature, Up/Down	—	Step/Dir
CLK IOF	Clock and Direction Filter	50 nS to 12.9 µS (10 MHz to 38.8kHz)	nS (MHz)	50nS (10 MHz)
USER ID	User ID	Customizable	1-3 characters	IMS
EN ACT	Enable Active High/Low	High/Low	—	High
WARN TEMP	Warning Temperature	0 to + 125	°C	80

Table 2.6.1: Setup Parameters and Ranges

Color Coded Parameter Values

The SPI Motor Interface displays the parameter values using a predefined system of color codes to identify the status of the parameter.

1. Black: the parameter settings currently stored in the device NVM will display as black.
2. Blue: Blue text indicates a changed parameter setting that has not yet been written to the device.
3. Red: Red text indicates an out-of-range value which cannot be written to the device. When an out-of-range parameter is entered into a field, the "set" button will disable, preventing the value to be written to NVM. To view the valid parameter range, hover the mouse pointer over the field. The valid range will display in a tool tip.

The color coding is illustrated in Figure 2.5.1.

Blue: New Value which has not yet been set to NVM.

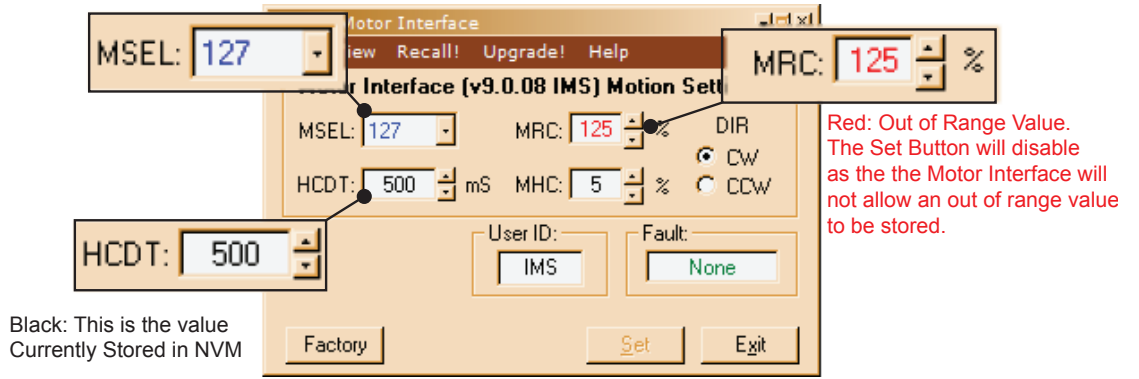


Figure 2.6.1: SPI Motor Interface Color Coding

IMS SPI Motor Interface Menu Options

File

- > Open: Opens a saved *.mot (Motor Settings) file.
- > Save: Saves the current motor settings as a *.mot file for later re-use
- > Save As
- > Exit - Disconnects from the device and opens the Initialization Dialog.

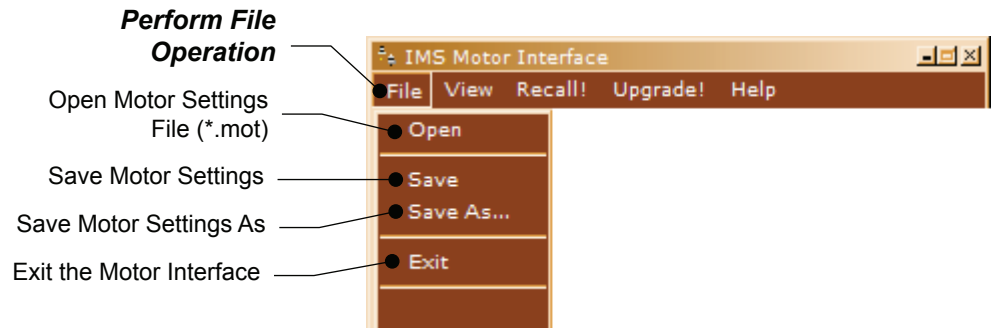


Figure 2.6.2: SPI Motor Interface File Menu

View

- > Motion Settings: Displays the Motion Settings screen
- > IO Settings: Displays the IO Settings Screen
- > Part and Serial Number: Displays the part and serial number

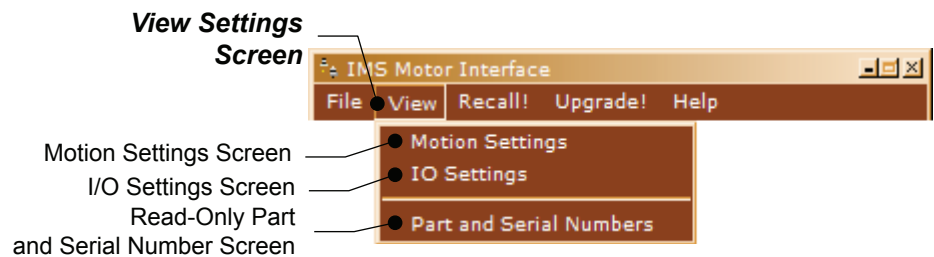


Figure 2.6.3: SPI Motor Interface View Menu

Recall!

Retrieves the settings from the Microstepping MForce PowerDrive.

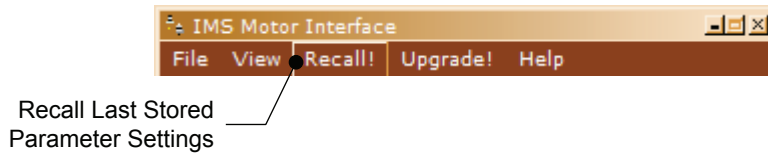


Figure 2.6.4: SPI Motor Interface Recall Menu

Upgrade!

Upgrades the Microstepping MForce PowerDrive firmware by placing the device in Upgrade Mode and launching the firmware upgrader utility.

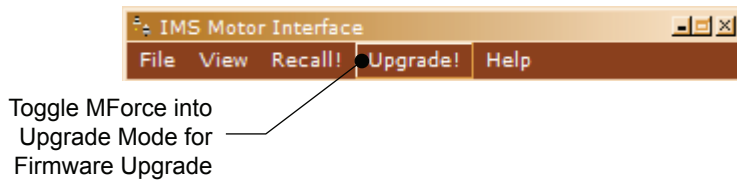


Figure 2.6.5: SPI Motor Interface Upgrade Menu

Help

- > IMS Internet Tutorials: Link to an IMS Web Site page containing Interactive flash tutorials.
- > About: Opens the About IMS and IMS SPI Motor Interface Screen.

Links to the Software Tutorial page of the IMS Website

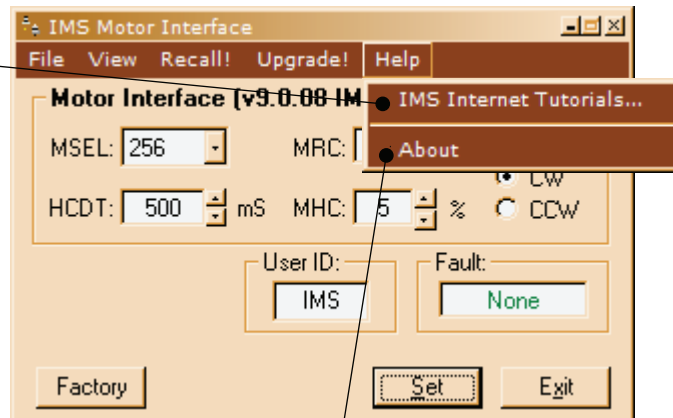


Figure 2.6.6: SPI Motor Interface Help Menu and About Screen

1. MSEL: Microstep Resolution Select.

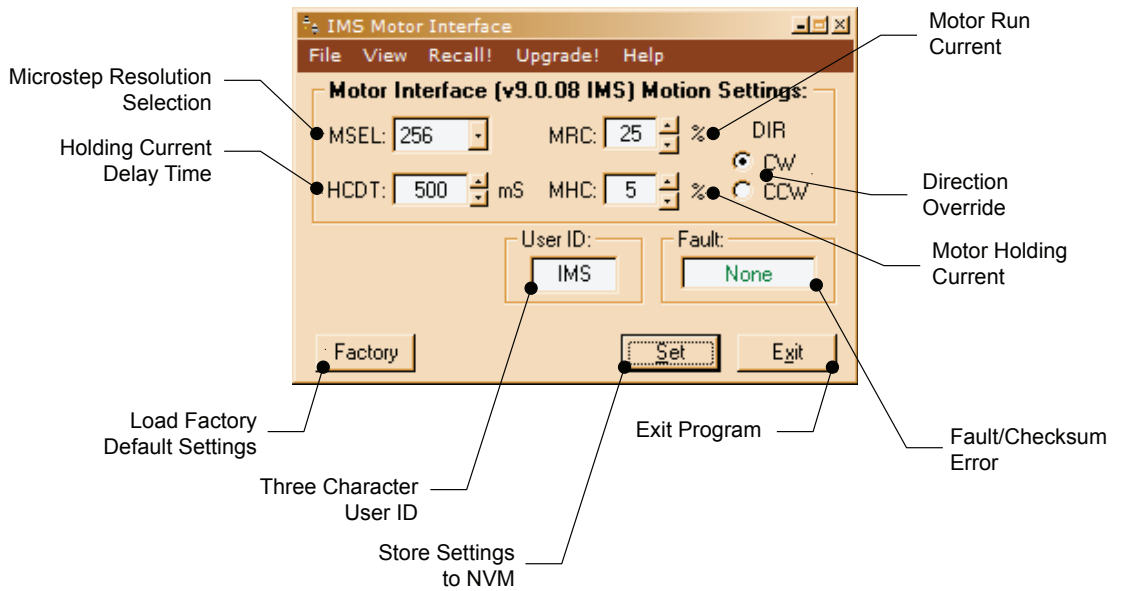


Figure 2.6.7: SPI Motor Interface Motion Settings Screen

2. HCDT: Holding Current Delay Time.
3. MRC: Motor Run Current
4. Motor Holding Current
5. User ID: 3-character ID
6. Direction Override: Allows the user to set the CW/CCW direction of the motor in relation to the Direction Input from the SPI Motor Interface.

MSEL (Microstep Resolution Selection)

The Microstepping MForce PowerDrive features 20 microstep resolutions. This setting specifies the number of microsteps per step the motor will move.

The MForce PowerDrive uses a 200 step (1.8°) stepping motor which at the highest (default) resolution of 256 will yield 51,200 steps per revolution of the motor shaft.

See Table 2.3.2 for available Microstep Resolutions.

Microstep Resolution Settings			
Binary μ Step Resolution Settings		Decimal μ Step Resolution Settings	
MS=< μ Steps/Step>	Steps/Revolution	MS=< μ Steps/Step>	Steps/Revolution
1	200	5	1000
2	400	10	2000
4	800	25	5000
8	1600	50	10000
16	3200	100	20000
32	6400	125	25000
64	12800	200	40000
128	25600	250	50000
256	51200		
Additional Resolution Settings			
180	36000 (0.01°/ μ Step)		
108	21600 (1 Arc Minute/ μ Step)		
127	25400 (0.001 mm/ μ Step)		

Table 2.6.2: Microstep Resolution Settings

HCDT (Hold Current Delay Time)

The HCDT Motor Hold Current Delay sets time in milliseconds for the Run Current to switch to Hold Current when motion is complete. When motion is complete, the Microstepping MForce PowerDrive will reduce the current in the windings of the motor to the percentage specified by MHC when the specified time elapses.

MRC (Motor Run Current)

The MRC Motor Run Current parameter sets the motor run current to a percentage of the full output current of the MForce PowerDrive driver section.

MHC (Motor Hold Current)

The MHC parameter sets the motor holding current as a percentage of the full output current of the driver. If the hold current is set to 0, the output circuitry of the driver section will disable when the hold current setting becomes active. The hold current setting becomes active HCDT setting mS following the last clock pulse.

Run and Hold Current Settings	
HC=(%) RC=(%)	MForce PowerDrive (Amps RMS)
10	0.5
20	1.0
30	1.5
40	2.0
50	2.5
60	3.0
70	3.5
80	4.0
90	4.5
100	5.0

Table 2.6.3: Hold and Run Current Percentage Equivalents

DIR (Motor Direction)

The DIR Motor Direction parameter changes the motor direction relative to the direction input signal, adapting the direction of the MForce PowerDrive to operate as your system expects.

User ID

The User ID is a three character (viewable ASCII) identifier which can be assigned by the user. Default is IMS.

IMS SPI Motor Interface Button Functions

The following appear on all of the IMS SPI Motor Interface screens, but will only be documented here.

Factory

Clicking the Factory button will load the Microstepping MForce PowerDrive unit's factory default settings into the IMS SPI Motor Interface.

Connected/Disconnected Indicator

Displays the connected/disconnected state of the software, and if connected, the port connected on.

Set

Set writes the new settings to the MForce PowerDrive. Un-set settings will display as blue text in the setting fields. Once set they will be in black text. Setting the Parameters will also clear most Fault Conditions.

Exit

Disconnects and opens the Initialization dialog.

Screen 2: I/O Settings Configuration Screen

The I/O Settings screen may be accessed by clicking View > IO Settings on the menu bar. This screen is used to configure the Input Clock Type, the filtering and the Active High/Low State of the Enable Input.

Input Clock Type

The Input Clock Type translates the specified pulse source that the motor will use as a reference for establishing stepping resolution based on the frequency.

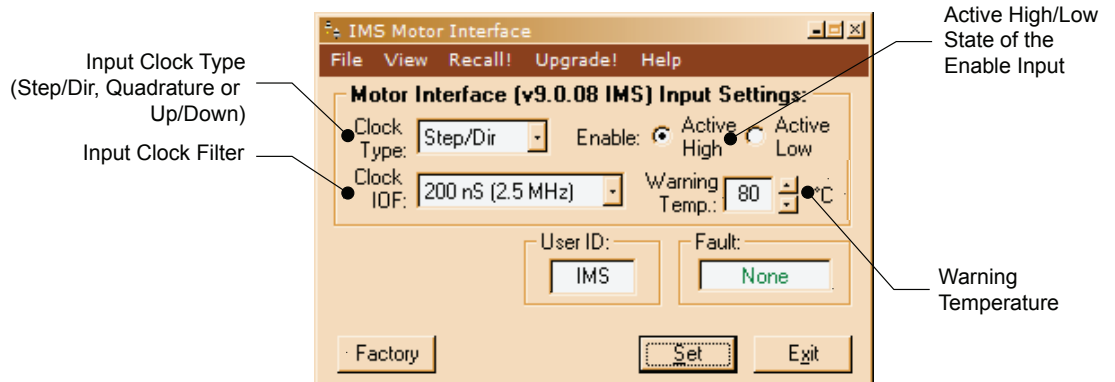


Figure 2.6.8: SPI Motor Interface I/O Settings Screen

The three clock types supported are:

1. Step/Direction
2. Quadrature
3. Up/Down

The Clock types are covered in detail in Section 2.2: Logic Interface and Connection.

Input Clock Filter

The clock inputs may also be filtered using the Clock IOF pull down of the IMS SPI Motor Interface. The filter range is from 50 nS (10 MHz) to 12.9 μ Sec. (38.8 kHz). Table 2.4.3 shows the filter settings.

Input Clock Filter Settings	
Min. Pulse	Cutoff Frequency
50 nS	10 MHz
150 nS	3.3 MHz
200 nS	2.5 MHz
300 nS	1.67 MHz
500 nS	1.0 MHz
900 nS	555 kHz
1.7 μ S	294.1 kHz
3.3 μ S	151 kHz
6.5 μ S	76.9 kHz
12.9 μ S	38.8 kHz

Table 2.6.4: Input Clock Filter Settings

Enable Active High/Low

The parameter sets the Enable Input to be Active when High (Default, Disconnected) or Active when Low.

Warning Temperature

The parameter sets the temperature at which a TW, or temperature warning fault code will be generated. In the warning condition the MForce PowerDrive will continue to operate as normal. The thermal shutdown is +85°C.

IMS Part Number/Serial Number Screen

The IMS Part Number and Serial Number screen is accessed by clicking "View > Part and Serial Numbers".

This screen is read-only and will display the part and serial number, as well as the fault code if existing. IMS may require this information if calling the factory for support.

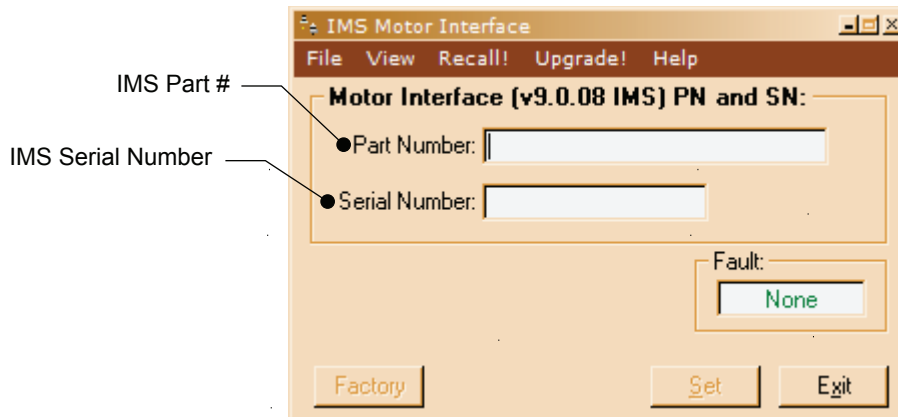


Figure 2.6.9: SPI Motor Interface Part and Serial Number Screen

Fault Indication

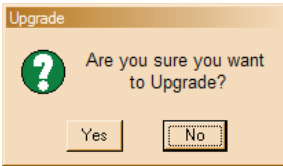
All of the IMS SPI Motor Interface Screens have the Fault field visible. This read-only field will display a 2 character error code to indicate the type of fault. The table below shows the error codes.

MForce34Plus Microstepping Fault Codes				
Binary Case*	Error Code	Description	Action	To Clear
—	None	No Fault	—	—
4	CS	SPI Checksum Error	Error Displayed	Write to MDM (Set Button)
8	SC/CS	SPI Checksum Error/ Sector Changing	Error Displayed	Write to MDM (Set Button)
16	DFLT	Defaults Checksum Error	Error Displayed	Write to MDM (Set Button)
32	DATA	Settings Checksum Error	Error Displayed	Write to MDM (Set Button)
64	TW	Temperature Warning	Error Displayed	Write to MDM (Set Button)

*All Fault Codes are OR'ed together

Table 2.6.5: Microstepping MForce PowerDrive Fault Codes

N NOTE: Once entered into Upgrade Mode, you MUST complete the upgrade. If the upgrade process is incomplete the IMS SPI Motor Interface will continue to open to the Upgrade dialog until the process is completed!



Upgrading the Firmware in the Microstepping MForce PowerDrive

The IMS SPI Upgrader Screen

New firmware releases are posted to the IMS web site at <http://www.imshome.com>.

The IMS SPI Motor Interface is required to upgrade your Microstepping MForce PowerDrive product. To launch the Upgrader, click "Upgrade!" on the IMS SPI Motor Interface menu.

The Upgrader screen has 4 read-only text fields that will display the necessary info about your Microstepping MForce PowerDrive.

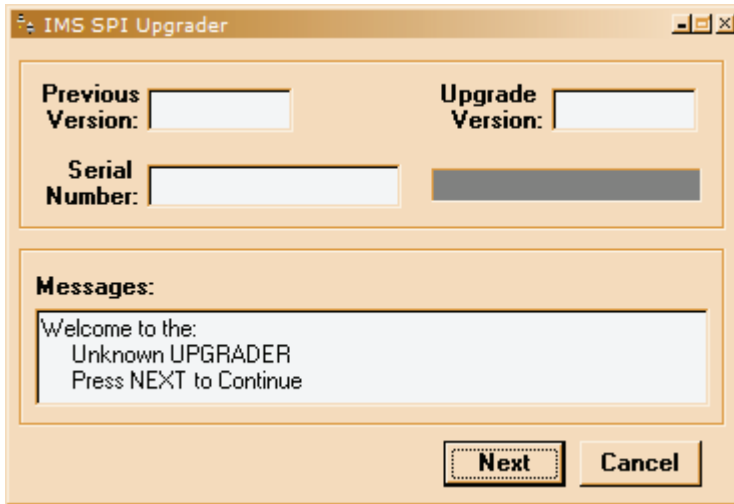


Figure 2.6.10: SPI Motor Interface Upgrade Utility

1. Previous Version: this is the version of the firmware currently on your Microstepping MForce PowerDrive.
2. Serial Number: the serial number of your unit.
3. Upgrade Version: will display the version number of the firmware being installed.
4. Messages: the messages text area will display step by step instructions through the upgrade process.

Upgrade Instructions

Below are listed the upgrade instructions as they will appear in the message box of the IMS SPI Upgrader. Note that some steps are not shown as they are accomplished internally, or are not relevant to the model IMS product you are updating. The only steps shown are those requiring user action.

Welcome Message: Welcome to the Motor Interface UPGRADER! Click NEXT to continue.

Step 2: Select Upgrade File

When this loads, an explorer dialog will open asking you to browse for the firmware upgrade file. This file will have the extension *.ims.

Step 3: Connect SPI Cable

Step 4: Power up or Cycle Power to the MForce

Step 6: Press Upgrade Button

Progress bar will show upgrade progress in blue, Message box will read "Resetting Motor Interface"

Step 8: Press DONE, then select Port/Reconnect.

Initialization Screen

This screen will be active under five conditions:

1. When the program initially starts up and seeks for a compatible device.
2. The User selects File > Exit when connected to the device.
3. The User clicks the Exit button while connected to the device.
4. The Upgrade Process completes.
5. The SPI Motor Interface is unable to connect to a compatible device.

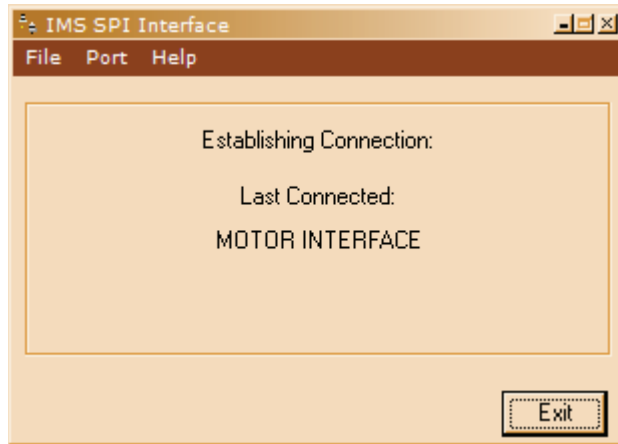


Figure 2.6.11: SPI Motor Interface Initialization

Port Menu

The Port Menu allows the user to select the COM Port that the device is connected to, either a parallel (LPT) Port, or a Hardware Serial or Virtual Serial Port via USB.

The Reconnect option allows the user to reconnect to a unit using the previously used settings.

On open or reconnect, the SPI Motor Interface will also try to auto seek for a connected device.

Communications Port Operations

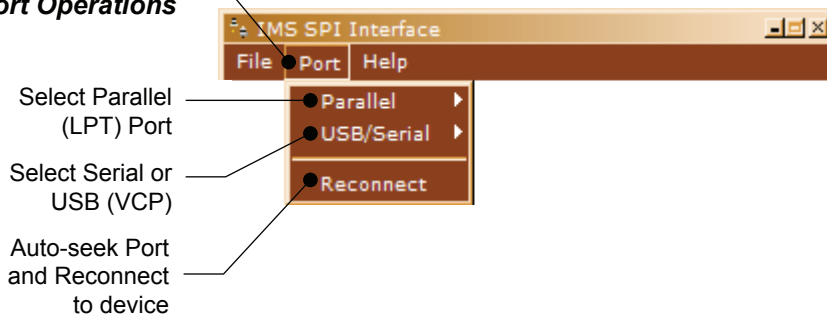


Figure 2.6.12: SPI Motor Interface Port Menu

SECTION 2.7

Using User-Defined SPI

The MForce can be configured and operated through the end-user's SPI interface without using the IMS SPI Motor Interface software and optional parameter setup cable.

An example of when this might be used is in cases where the machine design requires parameter settings to be changed on-the-fly by a software program or multiple system Microstepping MForce PowerDrive units parameter states being written/read.

SPI Timing Notes

1. MSb (Most Significant bit) first and MSB (Most Significant Byte) first.
2. 8 bit bytes.
3. 25 kHz SPI Clock (SCLK).
4. Data In (MOSI) on rising clock.
5. Data Out (MISO) on falling clock.

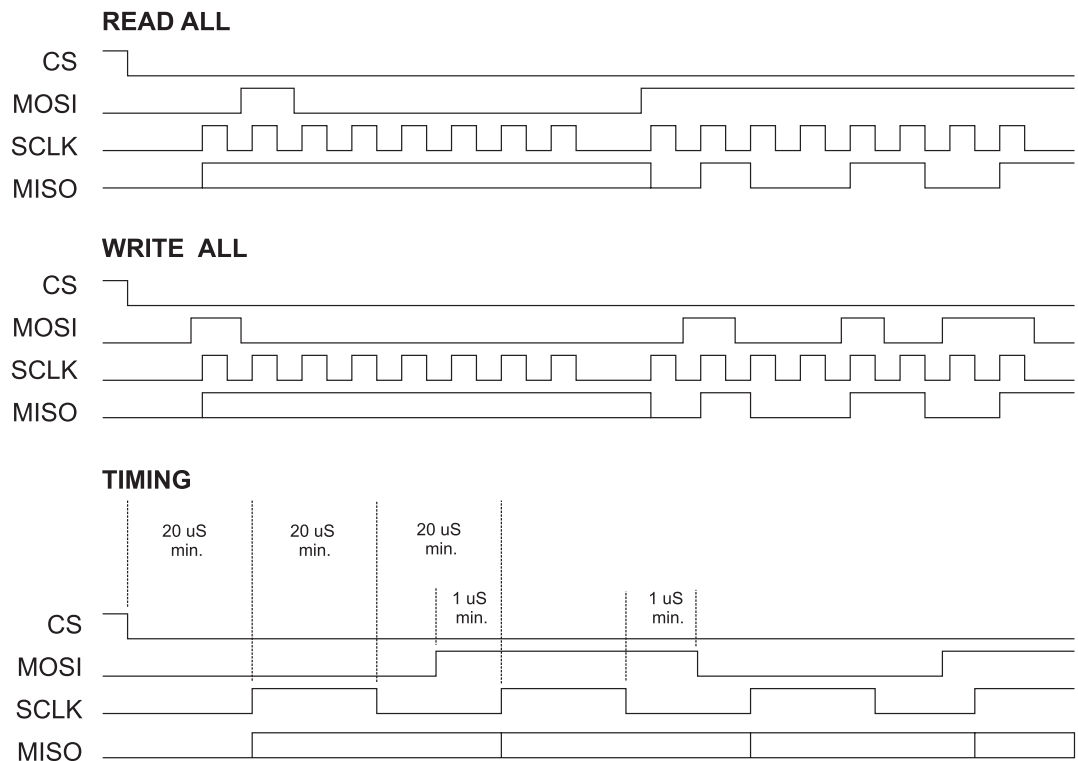


Figure 2.7.1: SPI Timing

Check Sum Calculation for SPI

The values in the example below are 8-bit binary hexadecimal conversions for the following SPI parameters: MRC=25%, MHC=5%, MSEL=256, HCDT=500 mSec, WARNTEMP=80.

The Check Sum is calculated as follows:

(Hex) 80+19+05+00+00+01+F4+50

Sum = E3 1110 0011

1's complement = 1C 0001 1100 (Invert)

2's complement = 1D 0001 1101 (Add 1)

Send the check sum value of 1D

Note: 80 is always the first command on a write.

Note: Once a write is performed, a read needs to be performed to see if there is a fault. The fault is the last byte of the read.

SPI Commands and Parameters

Use the following table and figure found on the following page together as the Byte order read and written from the MDrivePlus Microstepping, as well as the checksum at the end of a WRITE is critical.

SPI Commands and Parameters				
	Command/ Parameter	HEX (Default)	Range	Notes
	READ ALL	0x40	—	Reads the hex value of all parameters
MSB	Device (M)	0x4D	—	M Character precedes every READ
	Version_MSB	0x10	<1-8>.<0-9>	Firmware Version.Sub-version, eg 1.0
	Version_LSB	0x00	<0-99>	Firmware Version Appends to Version_MSB, eg.00
	USR_ID1	0x49	—	Uppercase Letter <I>
	USR_ID2	0x4D	—	Uppercase Letter <M>
	USR_ID3	0x53	—	Uppercase Letter <S>
	MRC	0x19	1-67%	Motor Run Current
	MHC	0x05	0-67%	Motor Hold Current
	MSEL	0x00	0*, 1-259 *0=256	Microstep Resolution (See Table in Section 2.4 for settings)
	DIR_OVRID	0x00	0=no override 1=override dir	Direction Override
	HCDT_HI	0x01	0 or 2-65535	Hold Current Delay Time High Byte
	HCDT_LO	0xF4		Hold Current Delay Time Low Byte
	CLKTYP	0x00	0=s/d, 1=quad, 2=u/d	Input Clock Type
	CLKIOF	0x00	<0-9>	Clock Input Filtering
	WARNTMP	0x50		OVER_TEMP - 5° C
	EN_ACT	0x01	0=Low 1=High,	Enable Active High/Low
LSB	FAULT	0x00	—	See Fault Table, Section 2.4
	WRITE ALL	0x80	—	Writes the hex value to the following parameters.
MSB	USR_ID1	0x49	—	Uppercase Letter <I>
	USR_ID2	0x4D	—	Uppercase Letter <M>
	USR_ID3	0x53	—	Uppercase Letter <S>
	MRC	0x19	1-100%	Motor Run Current
	MHC	0x05	0-100%	Motor Hold Current
	MSEL	0x00	0*, 1-259 *0=256	Microstep Resolution (See Table in Section 2.4 for settings)
	DIR_OVRID	0x00	0=no override 1=override dir	Direction Override
	HCDT_HI	0x01	0 or 2-65535	Hold Current Delay Time High Byte
	HCDT_LO	0xF4		Hold Current Delay Time Low Byte
	CLKTYP	0x00	0=s/d, 1=quad, 2=u/d	Input Clock Type
	CLKIOF	0x00	<0-9>	Clock Input Filtering
	WARNTMP	0x50		OVER_TEMP - 5° C
	EN_ACT	0x01	0=Low 1=High	Enable Active High/Low
LSB	CKSUM			34

Table 2.7.1: SPI Commands and Parameters

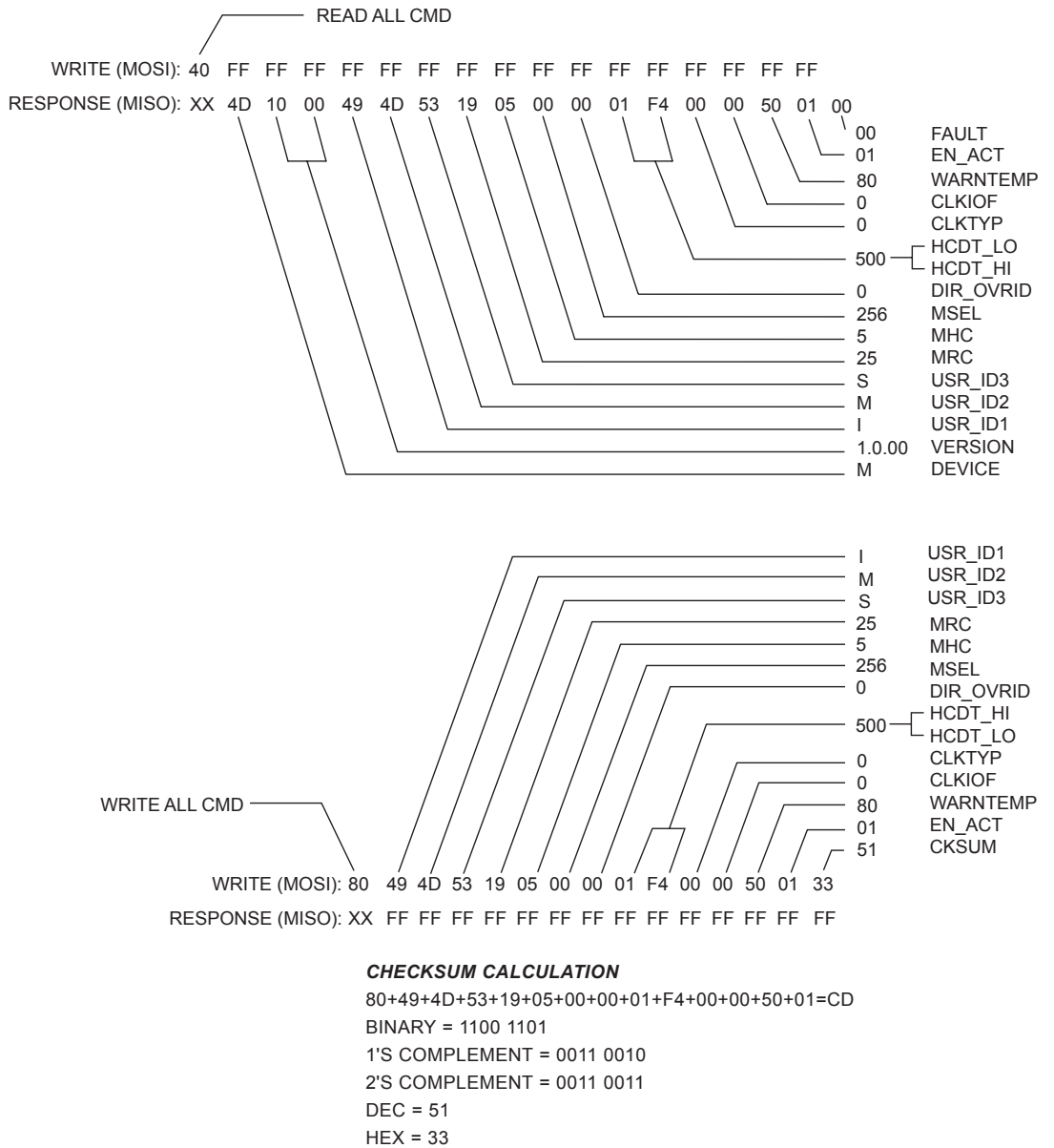


Figure 2.7.2: Read/Write Byte Order for Parameter Settings (Default Parameters Shown)

SPI Communications Sequence

See Timing Diagram and Byte Order figures.

READ

1. Send READ ALL Command 0x40 down MOSI to Microstepping MForce PowerDrive followed by FF (15 Bytes).
2. Receive Parameter settings from MISO MSB First (M-Device) and ending with LSB (Fault).

Write

1. Send WRITE ALL Command (0x80) down MOSI followed by Parameter Bytes beginning with MSB (MRC) and ending with the LSB (Checksum of all parameter Bytes).
2. Response from MISO will be FF (10) Bytes.



APPENDICES

Appendix A: Optional Prototype Development Cables

Page Intentionally Left Blank

APPENDIX C

Optional Prototype Development Cables

MD-CC300-000: USB to SPI Parameter Setup Cable

The MD-CC300-000 USB to SPI Parameter Setup Cable provides a communication between the 10-pin connector on some Microstepping MForce PowerDrives and the USB port on a PC.

IMS SPI Interface Software communicates to the Parameter Setup Cable through the PC's USB port.

The Parameter Setup Cable interprets SPI commands and sends these commands to the MForce PowerDrive through the SPI interface.

Supplied Components: MD-CC300-000 Parameter Setup Cable, USB Cable, USB Drivers, IMS SPI Interface Software.



Figure A.1: MD-CC300-000



WARNING! DO NOT connect or disconnect the MD-CC300-000 Communications Converter Cable from MForce while power is applied!

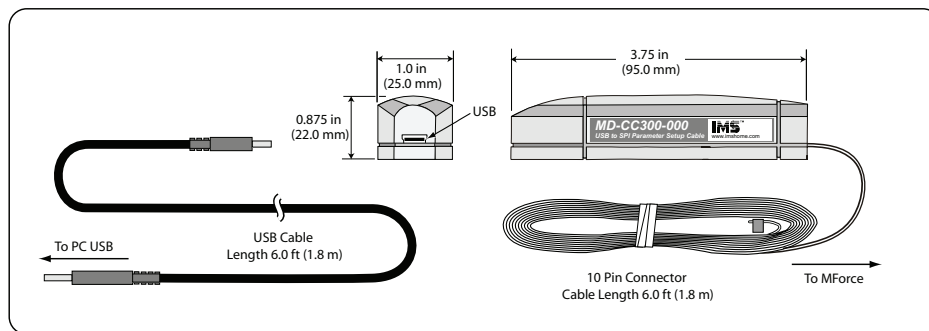


Figure A.2: MD-CC300-000 Mechanical Specifications

Adapter Cables

Parameter Setup Cable and Adapters

The optional 12.0' (3.6m) parameter setup cable part number MD-CC300-000 facilitates communications wiring and is recommended with first order. It connects from the P2 connector to a PC's USB port. Models with the 12-pin pluggable locking wire crimp require adapter MD-ADP-1723C.

Prototype Development Cable

For testing and development using the 12-pin pluggable locking wire crimp, the 12.0" (30.5cm) prototype development cable plugs into the MD-ADP-1723C adapter and has flying leads for connection to the user interface. Part number ADP-3512-FL.

See Figure A.3 on the following page for dimensional and connection information.

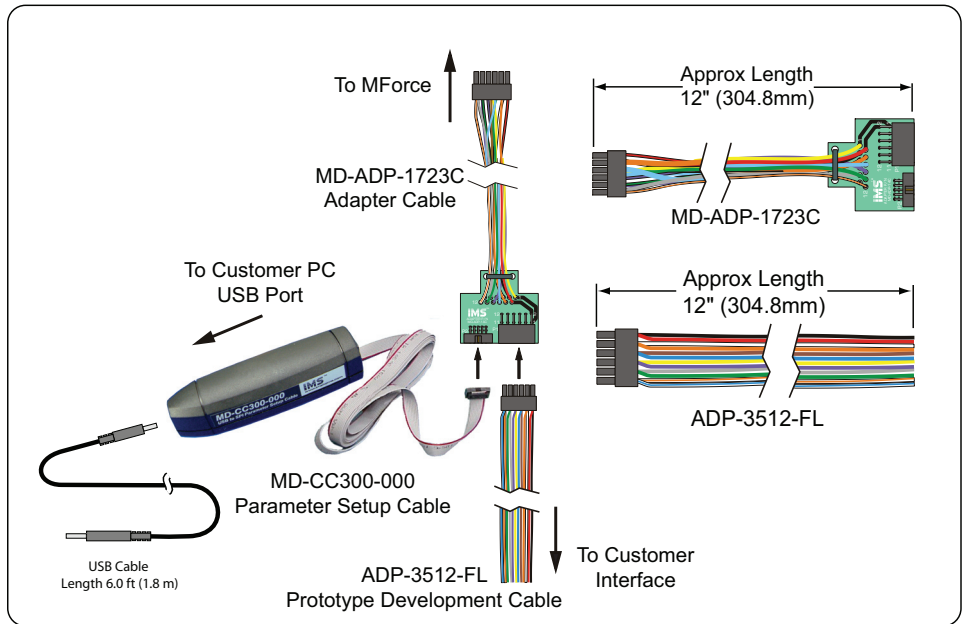


Figure A.3: Typical Setup, Adapter and Prototype Development Cable

Installation Procedure for the MD-CC300-000

These Installation procedures are written for Microsoft Windows XP Service Pack 2. Users with earlier versions of Windows please see the alternate installation instructions at the IMS web site (<http://www.imshome.com>).

The installation of the MD-CC300-000 requires the installation of two sets of drivers:

- Drivers for the IMS USB to SPI Converter Hardware.
- Drivers for the Virtual Communications Port (VCP) used to communicate to your IMS Product.

Therefore the Hardware Update wizard will run twice during the installation process.

The full installation procedure will be a two-part process: Installing the Cable/VCP drivers and Determining the Virtual COM Port used.

Installing the Cable/VCP Drivers

- 1) Plug the USB Converter Cable into the USB port of the MD-CC300-000.
- 2) Plug the other end of the USB cable into an open USB port on your PC.
- 3) Your PC will recognize the new hardware and open the Hardware Update dialog.
- 4) Select “No, not this time” on the radio buttons in answer to the query “Can Windows Connect to Windows Update to search for software?” Click “Next” (Figure A.4).
- 5) Select “Install from a list or specific location (Advanced)” on the radio buttons in answer to the query “What do you want the wizard to do?” Click “Next” (Figure A.5).



Figure A.4: Hardware Update Wizard

- 6) Select “Search for the best driver in these locations”.
 - (a) Check “Include this location in the search”.

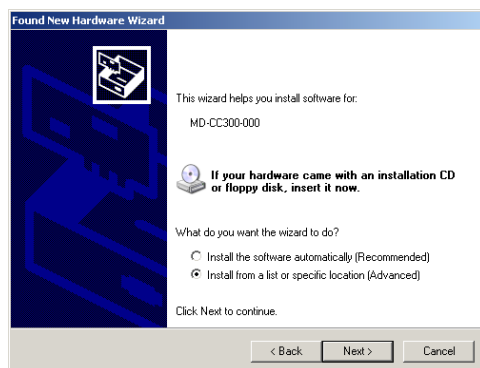


Figure A.5: Hardware Update Wizard Screen 2

- (b) Browse to the CD [Drive Letter]:\ Cable_Drivers\MD-CC303-000_DRIVERS.
 - (c) Click Next (Figure A.6).

- 7) The drivers will begin to copy.

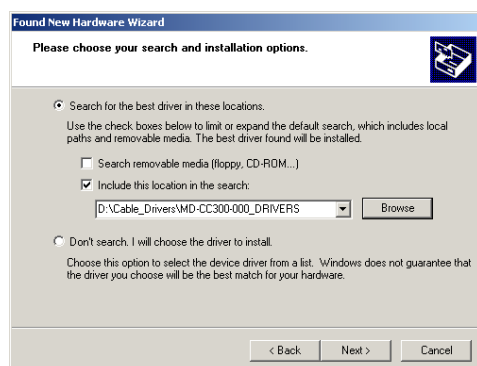


Figure A.6: Hardware Update Wizard Screen 3

- 8) On the Dialog for Windows Logo Compatibility Testing, click “Continue Anyway” (Figure A.7).

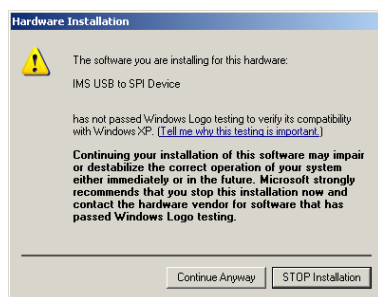


Figure A.7: Windows Logo Compatibility Testing

- 9) The Driver Installation will proceed. When the Completing the Found New Hardware Wizard dialog appears, Click “Finish” (Figure A.8).
- 10) Upon finish, the Welcome to the Hardware Update Wizard will reappear to guide you through the second part of the install process. Repeat steps 1 through 9 above to complete the cable installation.
- 11) Your IMS MD-CC300-000 is now ready to use.

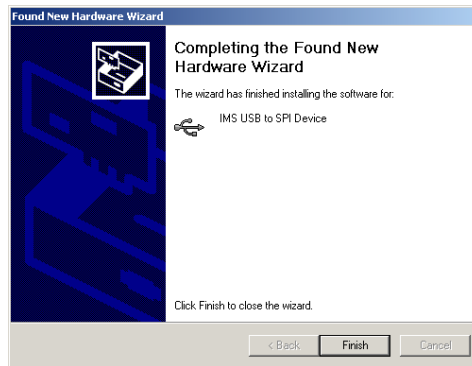


Figure A.8: Hardware Update Wizard Finish Installation

Determining the Virtual COM Port (VCP)

The MD-CC300-000 uses a Virtual COM Port to communicate through the USB port to the MForce. A VCP is a software driven serial port which emulates a hardware port in Windows.

The drivers for the MD-CC300-000 will automatically assign a VCP to the device during installation. The VCP port number will be needed when IMS Terminal is set up in order that IMS Terminal will know where to find and communicate with your IMS Product.

To locate the Virtual COM Port.

- 1) Right-Click the “My Computer” Icon and select “Properties”.
- 2) Browse to the Hardware Tab (Figure A.9), Click the Button labeled “Device Manager”.
- 3) Look in the heading “Ports (COM & LPT)” IMS USB to SPI Converter Cable (COMx) will be listed (Figure A.10). The COM # will be the Virtual COM Port connected. You will enter this number into your IMS SPI Motor Interface Configuration.

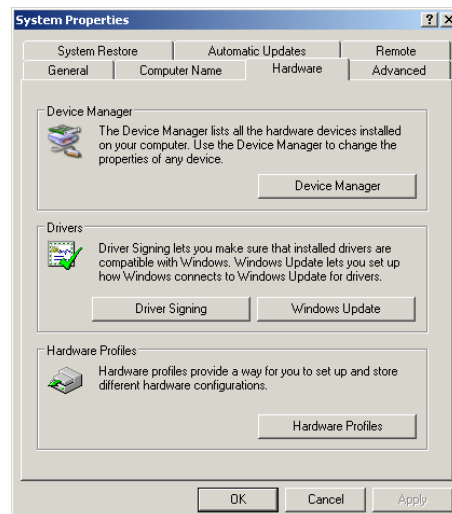


Figure A.9: Hardware Properties

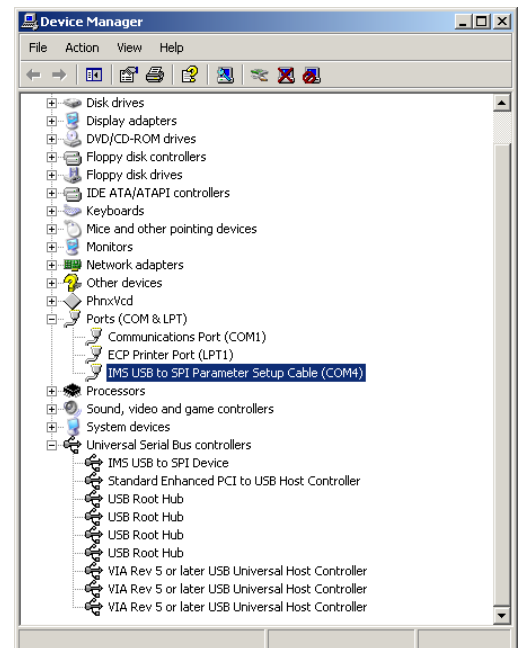


Figure A.10: Windows Device Manager

PD12-1434-FL3 — Power, I/O and SPI

The PD12-1434-FL3 is a 10' (3.0 m) Prototype Development Cable used to connect to the 12-Pin Locking Wire Crimp Connector. The Connector end plugs into the P1 Connector of the MForce PowerDrive. The Flying Lead end connects to a Control Interface such as a PLC, an SPI Interface such as a PC Parallel port and the users motor power supply.

Wire Color Code			
Pair Number (Cable/Pair)	Color Combination	Interface Signal	MForce Wire Crimp Connection Pin Number
1/1	White/Blue	Opto Reference	3
	Blue/White	Step Clock	4
1/2	White/Orange	Enable	5
	Orange/White	Direction	6
1/3	White/Green	SPI Clock	8
	Green/White	COMM GND	9
1/4	White/Brown	+5VDC	7
	Brown/White	Master In - Slave Out	12
1/5	White/Gray	Master Out - Slave In	10
	Gray/White	SPI Chip Select	11
2/1	Black	Not Used	1
	Red	Not Used	2

Table A.1: PD12-1434-FL3 Wire Color Codes

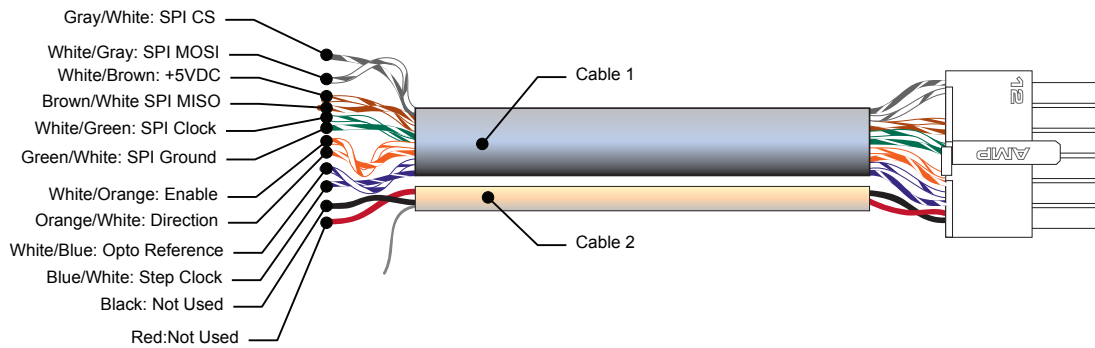


Figure A.11 PD12-1434-FL3

Prototype Development Cable PD02-2300-FL3

IMS recommends the Prototype Development Cable PD02-3400-FL3 for interfacing power to the MForce PowerDrive.

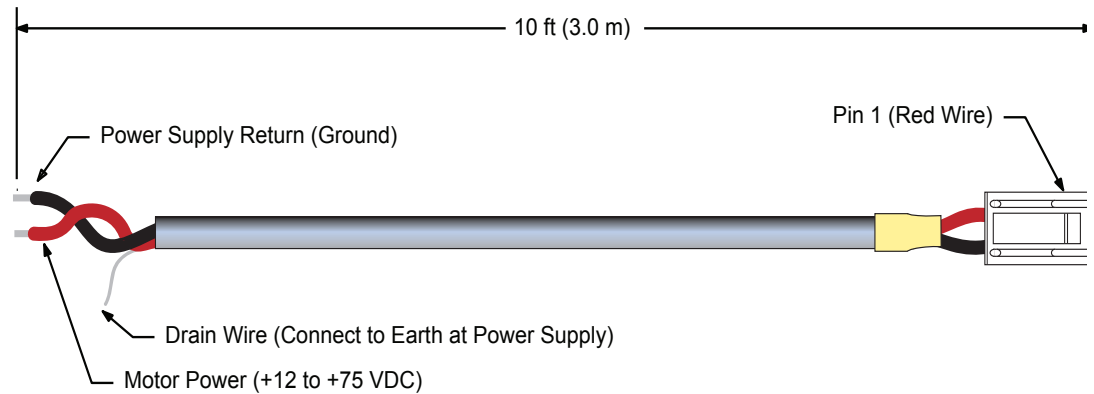


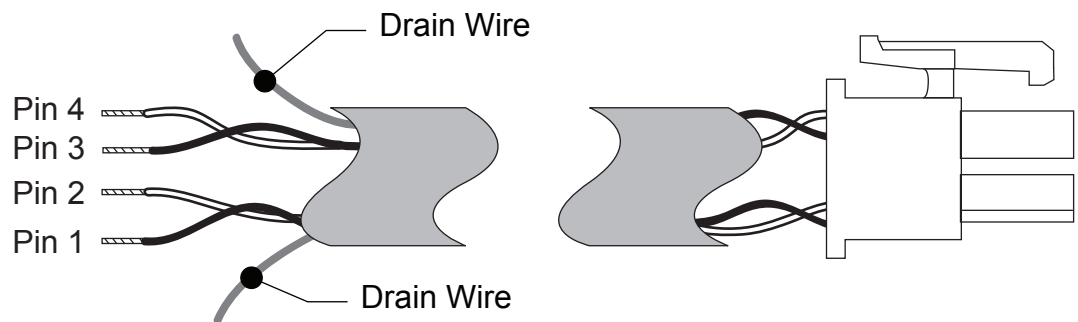
Figure A.12: PD02-3400-FL3

Prototype Development Cable PD04-MF34-FL3

The PD04-MF34FL3 is a 10' (3.0 M) Prototype Development Cable used to connect the MForce PowerDrive to a stepping motor:

Pair Number (Cable/Pair)	Color Combination	Interface Signal	MForce Wire Crimp Connection Pin Number
1/1	Black	Phase A	1
	White	Phase A	2
1/2	Black	Phase B	3
	White	Phase B	4

Table A.2: PD04-MF34-FL3



General Specifications

Length: 10 Feet (3.0 Meters)
 Conductor: 16 AWG
 Twisted Pairs
 Shield: 100% Flexfoil
 Jacket: PVC

Figure A.13: PD04-MF34-FL3

WARRANTY

TWENTY-FOUR (24) MONTH LIMITED WARRANTY

Intelligent Motion Systems, Inc. ("IMS"), warrants only to the purchaser of the Product from IMS (the "Customer") that the product purchased from IMS (the "Product") will be free from defects in materials and workmanship under the normal use and service for which the Product was designed for a period of 24 months from the date of purchase of the Product by the Customer. Customer's exclusive remedy under this Limited Warranty shall be the repair or replacement, at Company's sole option, of the Product, or any part of the Product, determined by IMS to be defective. In order to exercise its warranty rights, Customer must notify Company in accordance with the instructions described under the heading "Obtaining Warranty Service."

This Limited Warranty does not extend to any Product damaged by reason of alteration, accident, abuse, neglect or misuse or improper or inadequate handling; improper or inadequate wiring utilized or installed in connection with the Product; installation, operation or use of the Product not made in strict accordance with the specifications and written instructions provided by IMS; use of the Product for any purpose other than those for which it was designed; ordinary wear and tear; disasters or Acts of God; unauthorized attachments, alterations or modifications to the Product; the misuse or failure of any item or equipment connected to the Product not supplied by IMS; improper maintenance or repair of the Product; or any other reason or event not caused by IMS.

IMS HEREBY DISCLAIMS ALL OTHER WARRANTIES, WHETHER WRITTEN OR ORAL, EXPRESS OR IMPLIED BY LAW OR OTHERWISE, INCLUDING WITHOUT LIMITATION, **ANY WARRANTIES OF MERCHANTABILITY OR FITNESS FOR ANY PARTICULAR PURPOSE**. CUSTOMER'S SOLE REMEDY FOR ANY DEFECTIVE PRODUCT WILL BE AS STATED ABOVE, AND IN NO EVENT WILL THE IMS BE LIABLE FOR INCIDENTAL, CONSEQUENTIAL, SPECIAL OR INDIRECT DAMAGES IN CONNECTION WITH THE PRODUCT.

This Limited Warranty shall be void if the Customer fails to comply with all of the terms set forth in this Limited Warranty. This Limited Warranty is the sole warranty offered by IMS with respect to the Product. IMS does not assume any other liability in connection with the sale of the Product. No representative of IMS is authorized to extend this Limited Warranty or to change it in any manner whatsoever. No warranty applies to any party other than the original Customer.

IMS and its directors, officers, employees, subsidiaries and affiliates shall not be liable for any damages arising from any loss of equipment, loss or distortion of data, loss of time, loss or destruction of software or other property, loss of production or profits, overhead costs, claims of third parties, labor or materials, penalties or liquidated damages or punitive damages, whatsoever, whether based upon breach of warranty, breach of contract, negligence, strict liability or any other legal theory, or other losses or expenses incurred by the Customer or any third party.

OBTAINING WARRANTY SERVICE

Warranty service may be obtained by a distributor, if the Product was purchased from IMS by a distributor, or by the Customer directly from IMS, if the Product was purchased directly from IMS. Prior to returning the Product for service, a Returned Material Authorization (RMA) number must be obtained. Complete the form at <http://www.imshome.com/rma.html> after which an RMA Authorization Form with RMA number will then be faxed to you. Any questions, contact IMS Customer Service (860) 295-6102.

Include a copy of the RMA Authorization Form, contact name and address, and any additional notes regarding the Product failure with shipment. Return Product in its original packaging, or packaged so it is protected against electrostatic discharge or physical damage in transit. The RMA number MUST appear on the box or packing slip. Send Product to: Intelligent Motion Systems, Inc., 370 N. Main Street, Marlborough, CT 06447.

Customer shall prepay shipping charges for Products returned to IMS for warranty service and IMS shall pay for return of Products to Customer by ground transportation. However, Customer shall pay all shipping charges, duties and taxes for Products returned to IMS from outside the United States.



INTELLIGENT MOTION SYSTEMS, INC.

www.imshome.com

Excellence in Motion™

370 N. Main St., P.O. Box 457
Marlborough, CT 06447 U.S.A.
Phone: 860/295-6102
Fax: 860/295-6107
E-mail: info@imshome.com

TECHNICAL SUPPORT

Phone: 860/295-6102 (U.S.A.)
Fax: 860/295-6107
E-mail: etech@imshome.com

Germany/UK

Phone: +49/7720/94138-0
Fax: +49/7720/94138-2
E-mail: mweber@imshome.com

DISTRIBUTED BY:

IMS UK Ltd.

25 Barnes Wallis Road
Segensworth East
Fareham, Hampshire PO15 5TT
Phone: +44/0 1489-889825
Fax: +44/0 1489-889857
E-mail: mcheckley@imshome.com

IMS ASIA PACIFIC OFFICE

30 Raffles Pl., 23-00 Caltex House
Singapore 048622
Phone: +65/6233/6846
Fax: +65/6233/5044
E-mail: wlee@imshome.com

IMS EUROPE GmbH

Niedereschacherstrasse.54
78083 Dauchingen Germany
Phone: +49/7720/94138-0
Fax: +49/7720/94138-2
E-mail: info@imseuropehome.com

European Sales Management

4 Quai Des Etroits
69005 Lyon, France
Phone: +33/4 7256 5113
Fax: +33/4 7838 1537
E-mail: bmartinez@imshome.com

Germany Sales

Phone: +49/35205/4587-8
Fax: +49/35205/4587-9
E-mail: hruhland@imshome.com

Germany/UK Technical Support

Phone: +49/7720/94138-0
Fax: +49/7720/94138-2
E-mail: mweber@imshome.com

U.S.A. SALES OFFICES

Eastern Region

Phone: 862/208-9742
Fax: 973/661-1275
E-mail: jroake@imshome.com

Central Region

Phone: 260/402-6016
Fax: 419/858-0375
E-mail: dwaksman@imshome.com

Western Region

Phone: 602/578-7201
E-mail: dweisenberger@imshome.com

IMS MOTORS DIVISION

105 Copperwood Way, Suite H
Oceanside, CA 92054
Phone: 760/966-3162
Fax: 760/966-3165
E-mail: motors@imshome.com

Free Manuals Download Website

<http://myh66.com>

<http://usermanuals.us>

<http://www.somanuals.com>

<http://www.4manuals.cc>

<http://www.manual-lib.com>

<http://www.404manual.com>

<http://www.luxmanual.com>

<http://aubethermostatmanual.com>

Golf course search by state

<http://golfingnear.com>

Email search by domain

<http://emailbydomain.com>

Auto manuals search

<http://auto.somanuals.com>

TV manuals search

<http://tv.somanuals.com>