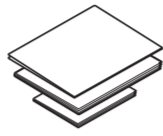
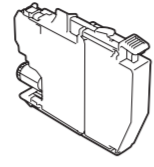
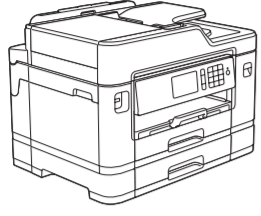


## 1 Unpack the machine and check the components

The components included in the box may differ depending on your country.



Watch our FAQ videos for help with setting up your Brother machine. [solutions.brother.com/videos](http://solutions.brother.com/videos)

### Inbox Ink Cartridges

- Black
- Yellow
- Cyan
- Magenta

Quick Setup Guide  
Reference Guide  
Product Safety Guide

Brother  
Installation Disc

Telephone Line Cord

Maintenance Sheet

Power Cord

### NOTE

- Most of the illustrations in this Quick Setup Guide show the MFC-J5730DW.
- Save all packing materials and the box in case for any reason you must ship your machine.
- **You must purchase the correct interface cable for the interface you want to use. A USB cable is included with some models.**

### USB cable

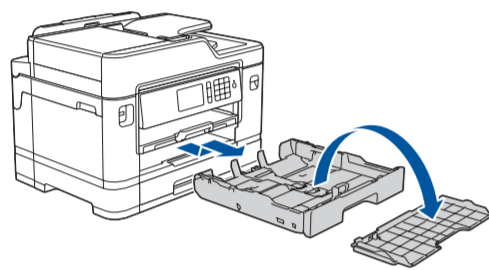
We recommend using a USB 2.0 cable (Type A/B) that is no more than 5 metres long.

### Ethernet (Network) cable

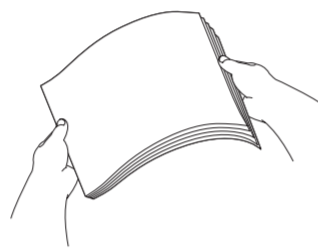
Use a straight-through Category5 (or greater) twisted-pair cable for 10BASE-T or 100BASE-TX Fast Ethernet Network.

## 2 Load plain A4 paper

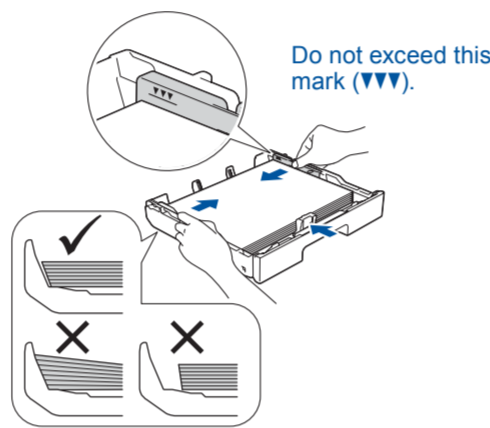
For loading other sizes of paper, see *Paper Handling* in the *Reference Guide*.



Pull the paper tray completely out of the machine as shown by the arrow. Take off the tray top cover.

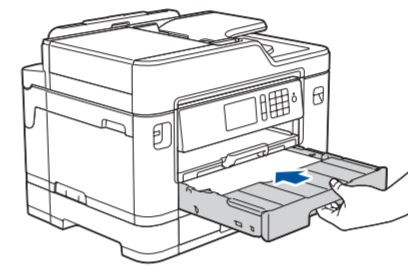


Fan the paper well.

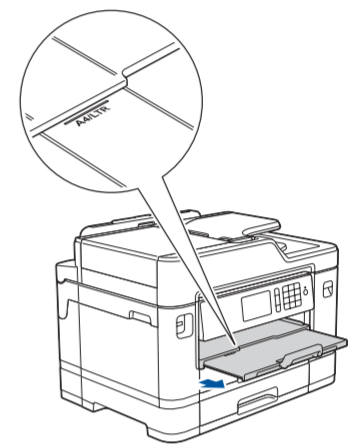


Adjust the paper guides.

Load the paper in the tray.

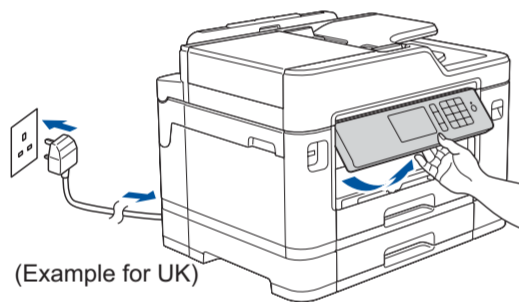


Put on the tray top cover, and then slowly push the paper tray completely into the machine.



Pull out the paper support until it locks into place.

## 3 Connect the power cord



(Example for UK)

Connect the power cord. The machine will power on automatically.

### NOTE

You can adjust the control panel angle to read the Touchscreen more easily.

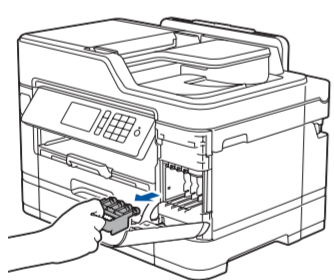
## 4 Select your country or language (Initial setup only)

After turning the machine on, you may need to set your country or language (depending on your machine). If required, follow the Touchscreen instructions.

## 5 Set the date and time

Follow the Touchscreen instructions to set the date and time.

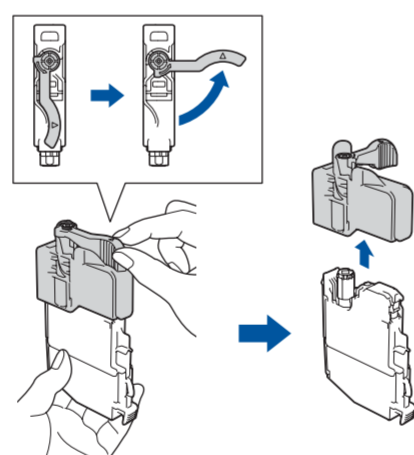
## 6 Install the inbox ink cartridges



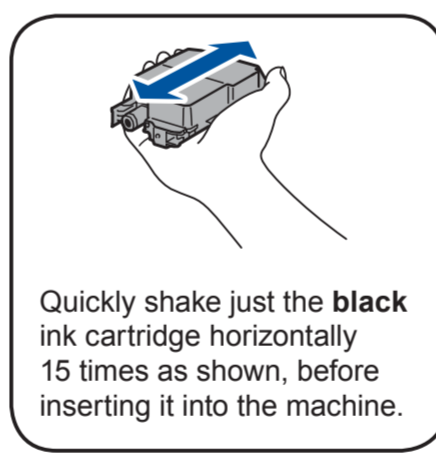
Open the ink cartridge cover, and then remove the orange protective part from the machine.

### NOTE

Follow the Touchscreen instructions to store the orange protective part inside the machine. If you must transport the machine, remove the ink cartridges and replace this part.



Follow the Touchscreen instructions to unpack and install the ink cartridges. The machine will prepare the ink tube system for printing.



Quickly shake just the **black** ink cartridge horizontally 15 times as shown, before inserting it into the machine.

## 7 Machine settings

When the machine has finished the initial cleaning process, follow the Touchscreen instructions to configure the machine's settings.

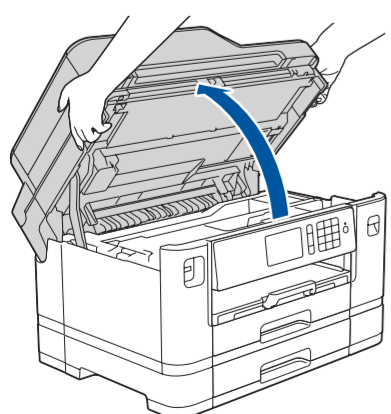
- Check print quality
- Configure the tray settings
- View operation tips
- Set Brother LCD Message defaults
- Print the installation sheet

## 8 Select your language (if needed and only for certain models)

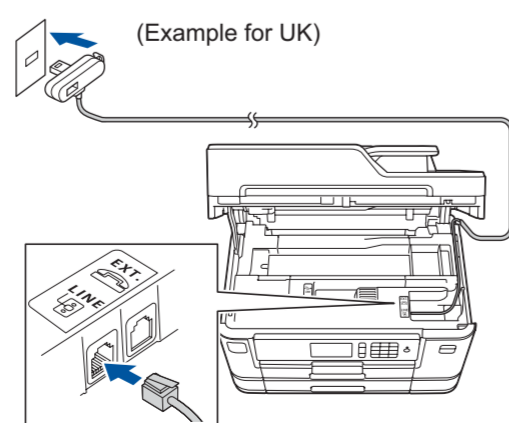
1. Press [Settings] > [All Settings] > [Initial Setup] > [Local Language].
2. Press your language.
3. Press .

## 9 Connect the telephone line cord

If you are not using your machine as a fax, go to **10**.



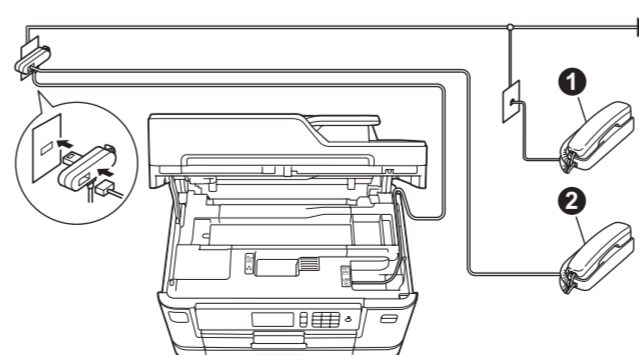
Lift the scanner cover.



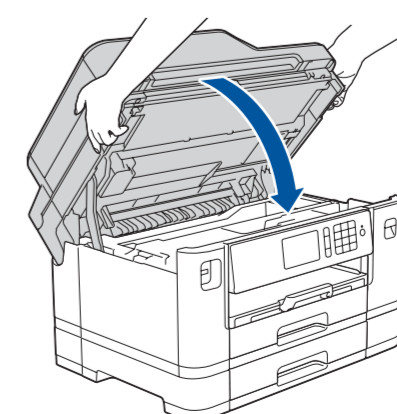
Connect the telephone line cord. Use the socket marked **LINE** and guide the cord out the back of the machine.

### NOTE

If you are sharing one telephone line with an external telephone, connect it as shown below.



1. Extension telephone
2. External telephone



Close the scanner cover.



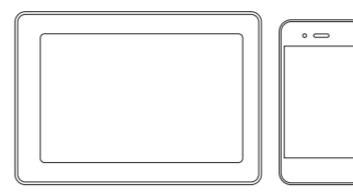
## 10 Select a device to connect to your machine

### Computer



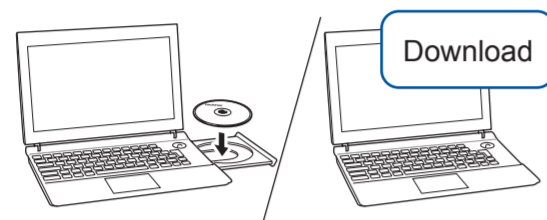
Go to **11** and follow the instructions.

### Mobile Device



Go to **12** and follow the instructions.

## 11 Connect your computer



Put the installation disc into your CD/DVD drive, or download the Full Driver & Software Package at:

For Windows®: [solutions.brother.com/windows](http://solutions.brother.com/windows)  
For Macintosh: [solutions.brother.com/mac](http://solutions.brother.com/mac)

If you are using a recently released operating system on your computer, visit the above websites for updated driver and software information.

Follow the on-screen instructions and prompts.

For Windows®:  
If the Brother screen does not appear automatically, go to **Computer (My Computer/This PC)**. Double-click the CD/DVD-ROM icon, and then double-click **start.exe**.

For Macintosh:  
For full driver functionality, we recommend choosing the **CUPS driver** when adding a printer.

Finished

Brother regularly updates firmware to add features and apply bug fixes. To check for the latest firmware, visit [solutions.brother.com/up2](http://solutions.brother.com/up2).

### Can't Connect? Check the following:

Wireless network

Restart your wireless access point/router (if possible).

Wired network  
USB connection

Disconnect the cable.

Restart your machine and computer, and then go to **11**

If still not successful, go to **12**

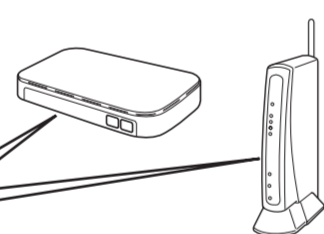
If still not successful, visit [support.brother.com](http://support.brother.com) for FAQs and Troubleshooting.

## 12 Alternative wireless setup

Find your SSID (Network Name) and Network Key (Password) on your wireless access point/router and write them in the table provided below.

SSID (Network Name)	
Network Key (Password)	

SSID: XXXXXXXX  
Network key: XXXX



If you cannot find this information, ask your network administrator or wireless access point/router manufacturer.

Go to your machine, and press **WiFi** > [Setup Wizard] > [Yes].



Select the SSID (Network Name) for your access point/router and enter the Network Key (Password).

When the wireless setup is successful, the Touchscreen displays [Connected].

If setup is not successful, restart your Brother machine and your wireless access point/router, and repeat **12**

For Computer

Go to **11** to install software.

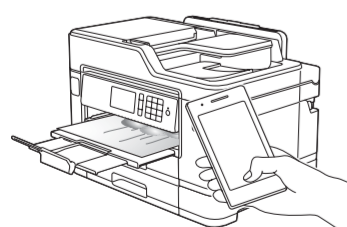
For Mobile Device

Go to **13** to install apps.

Even if you do not have a wireless access point/router, you can connect your device and your machine directly. For additional wireless network support, go to [solutions.brother.com/wireless-support](http://solutions.brother.com/wireless-support).

## 13 Print or scan using your mobile device

Download and install our free application "**Brother iPrint&Scan**" from a mobile application store, such as the App Store, Google Play™ or Windows Phone® Store using your mobile device.



### NOTE

Your mobile device and machine must be connected to the same wireless network.

Brother SupportCenter is a mobile app that provides the latest support information for your Brother product. Visit the App Store or Google Play™ to download.



Finished

### Optional apps

You can print from and scan to your mobile device using various apps. For instructions, see the *Online User's Guide*.



Additional Wireless Support: [solutions.brother.com/wireless-support](http://solutions.brother.com/wireless-support)

For FAQs, Troubleshooting, and to download software and manuals, visit [support.brother.com](http://support.brother.com).

© 2016 Brother Industries, Ltd. All rights reserved.

## Free Manuals Download Website

<http://myh66.com>

<http://usermanuals.us>

<http://www.somanuals.com>

<http://www.4manuals.cc>

<http://www.manual-lib.com>

<http://www.404manual.com>

<http://www.luxmanual.com>

<http://aubethermostatmanual.com>

Golf course search by state

<http://golfingnear.com>

Email search by domain

<http://emailbydomain.com>

Auto manuals search

<http://auto.somanuals.com>

TV manuals search

<http://tv.somanuals.com>