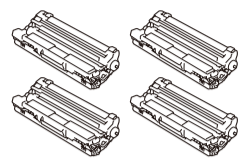
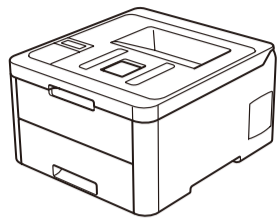
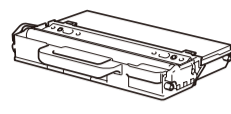


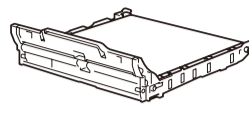
## Unpack the machine and check the components



**Drum Unit and Toner Cartridge Assemblies\***  
(Black, Cyan, Magenta, and Yellow)



**Waste Toner Box\***



**Belt Unit\***



**Brother Installation Disc**



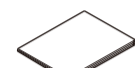
**AC Power Cord**



**Quick Setup Guide**



**Product Safety Guide**



**Reference Guide**  
(only for certain models)

\* Already installed in the machine

### NOTE:

- Manuals in Spanish for this model are available on the Brother Solutions Center. (USA only): [support.brother.com/manuals](http://support.brother.com/manuals)  
Los manuales en español de este modelo están disponibles en el Brother Solutions Center. (Solamente en los Estados Unidos): [support.brother.com/manuals](http://support.brother.com/manuals)
- The components included in the box may differ depending on your country.
- The available connection interfaces vary depending on the model.
- Interface cables are not included. You must purchase the correct interface cable if you require one.

### USB cable

We recommend using a USB 2.0 cable (Type A/B) that is no more than 6 feet (2 meters) long.

### Network cable (HL-L3230CDN / HL-L3230CDW / HL-L3270CDW)

Use a straight-through Category 5 (or greater) twisted-pair cable.

- The illustrations in this *Quick Setup Guide* show the HL-L3230CDW.
- This machine's *Reference Guide* is either printed for you or is available on the Brother Installation Disc included in the carton.

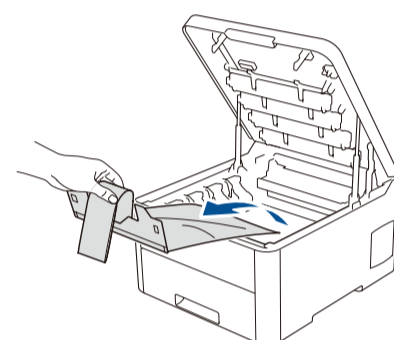
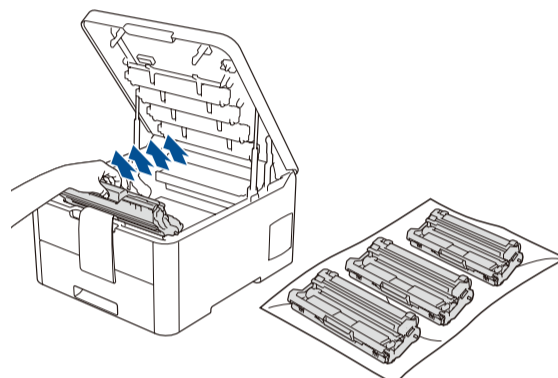
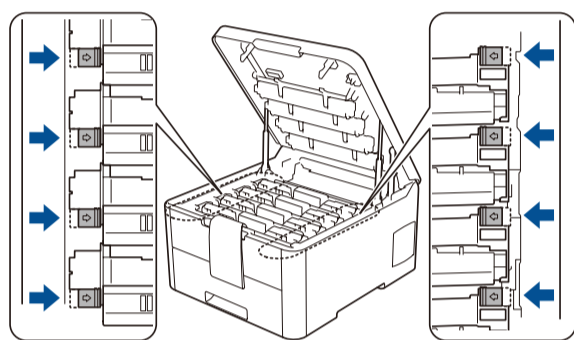
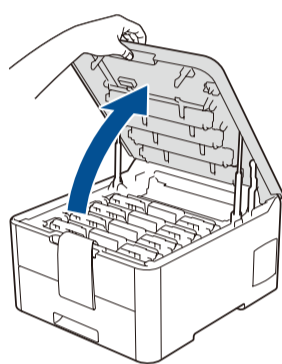


Watch our Video FAQs for help with setting up your Brother machine:  
[support.brother.com/videos](http://support.brother.com/videos).

## 1 Remove the packing materials and re-install the drum unit and toner cartridge assembly

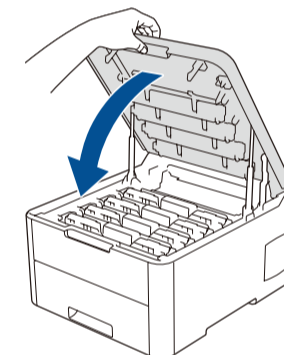
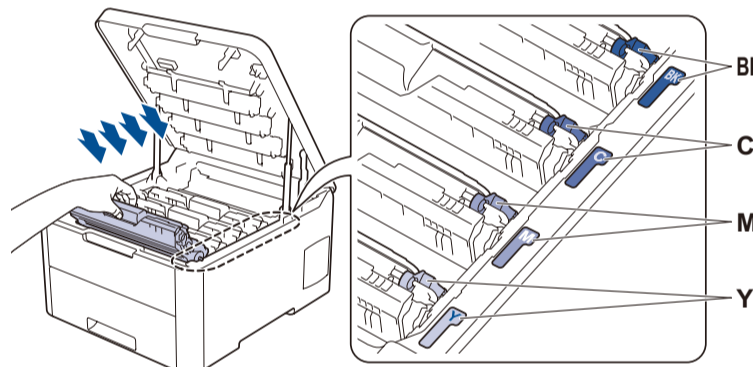
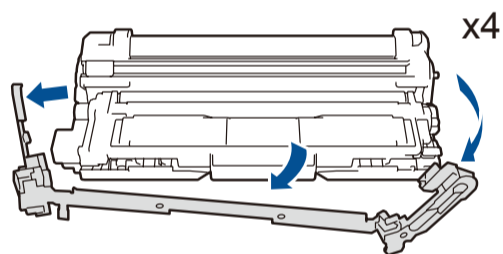
Remove all the blue packing tape.

Slide all eight yellow drum locks.

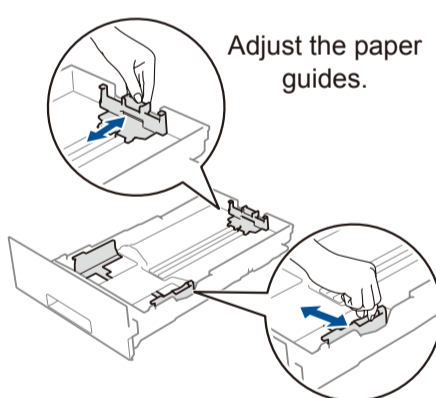
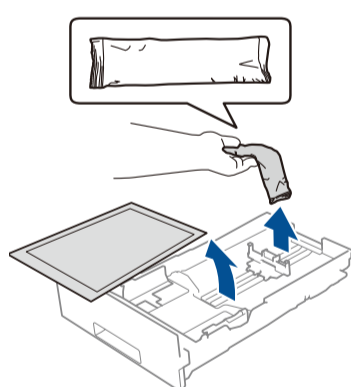
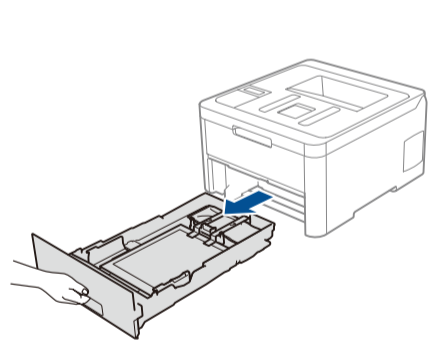


Remove the orange part from each cartridge.

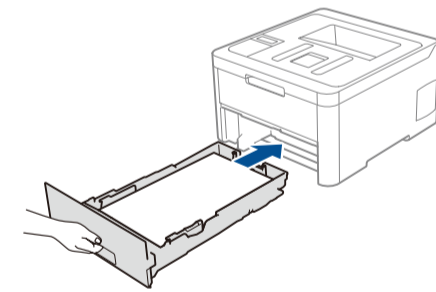
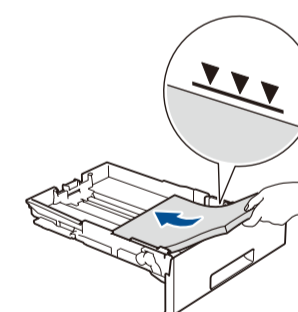
Push firmly.



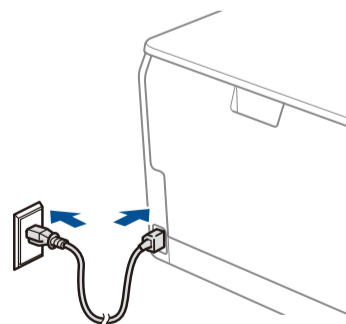
## 2 Load paper in the paper tray



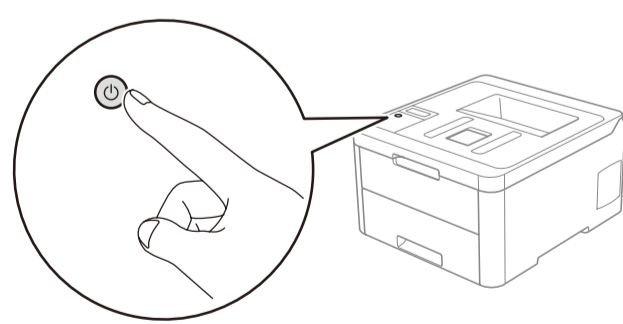
Do not exceed this mark.



## 3 Connect the power cord and turn the machine on



Back

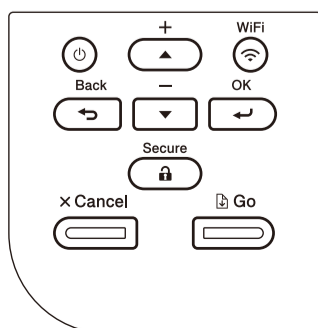


Front

## 4 Select your language (if needed)

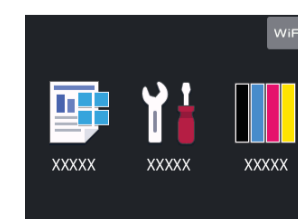
### For LCD models

1. Press ▼ or ▲ to select [Initial Setup], and then press OK.
2. Press ▼ or ▲ to select [Local Language], and then press OK.
3. Press ▼ or ▲ to select your language, and then press OK.
4. Press Cancel.



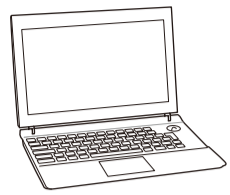
### For Touchscreen models

1. On the machine's Touchscreen, press [Settings] > [All Settings] > [Initial Setup] > [Local Language].
2. Press your language.
3. Press [Done].



## 5 Select a device to connect to your machine

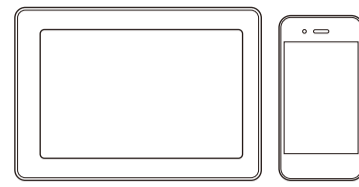
### Computer



Go to **6** and follow the instructions.

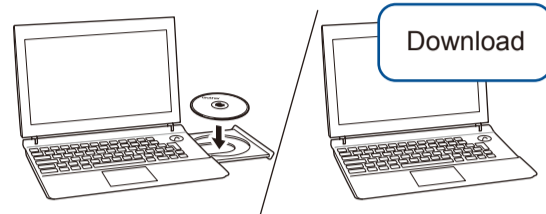
**NOTE:**  
(For HL-L3210CW / HL-L3230CDW)  
We recommend configuring wireless settings from your computer.

### Mobile Device



Go to **7** and follow the instructions.

## 6 Connect your computer



Put the installation disc into your CD/DVD drive, or download the Full Driver & Software Package at:

For Windows®: [support.brother.com/windows](http://support.brother.com/windows)  
For Mac: [support.brother.com/mac](http://support.brother.com/mac)

If you are using a recently released operating system on your computer, visit the above websites for updated driver and software information.

▶ Follow the on-screen instructions and prompts.

For Windows®:  
If the Brother screen does not appear automatically, go to **Computer (This PC)**. Double-click the CD/DVD-ROM icon, and then double-click **start.exe**.

For Mac:  
For full driver functionality, we recommend choosing the **CUPS driver** when adding a printer.

▶ Finished

**For Network Users:**  
Best practice is to configure a unique admin password for any network device.  
We recommend changing the default Web Based Management password, **initpass**, in order to use network tools/utilities securely.

Brother regularly updates firmware to add features and apply bug fixes. To check for the latest firmware, visit [support.brother.com/up7](http://support.brother.com/up7).

### Can't Connect? Check the following:

Wireless network

▶ Restart your wireless access point/router (if possible).

Wired network

USB connection

▶ Disconnect the cable.

▶ Restart your machine and computer, and then go to **6**.

▶ If still not successful, go to **7**.

▶ If still not successful, visit [support.brother.com](http://support.brother.com) for FAQs & Troubleshooting.

## 7 Alternative wireless setup

Find your SSID (Network Name) and Network Key (Password) on your wireless access point/router and write them in the table provided below.

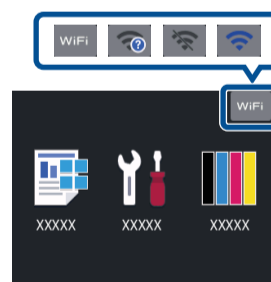
SSID (Network Name)	
Network Key (Password)	

SSID: XXXXXXXX  
Network key: XXXX

If you cannot find this information, ask your network administrator or wireless access point/router manufacturer.

■ For LCD models  
To select each menu option, press ▲ or ▼, and then press **OK** to confirm.  
Select [Network] > [WLAN] > [Setup Wizard].

■ For Touchscreen models  
Press **WiFi** > [Setup Wizard] > [Yes].



Even if you do not have a wireless access point/router, you can connect your device and your machine directly. For additional wireless network support, go to [support.brother.com/wireless-support](http://support.brother.com/wireless-support).

Select the SSID (Network Name) for your access point/router and enter the Network Key (Password).

When the wireless setup is successful, the Touchscreen/LCD displays [Connected].

If setup is not successful, restart your Brother machine and your wireless access point/router, and repeat **7**.

▶ For Computer

Go to **6** to install software.

▶ For Mobile Device

Go to **8** to install apps.

## 8 Print using your mobile device

Your mobile device must be connected to the same wireless network as your Brother machine.



AirPrint is available for all supported iOS devices including iPhone, iPad and iPod touch. You do not need to download any software to use AirPrint. For more information, see the *Online User's Guide*.



Download and install the Mopria® Print Service app from Google Play™ using your Android™ device.



Download and install our free application **Brother iPrint&Scan** from a mobile application store, such as the App Store, Google Play™ or Microsoft® Store using your mobile device.

Brother SupportCenter is a mobile app that provides the latest support information for your Brother product. Visit the App Store or Google Play™ to download.



### Optional apps

You can print from your mobile device using various apps. (USA only) For more information on apps, visit [www.brother-usa.com/connect](http://www.brother-usa.com/connect). For instructions, see the *Online User's Guide*.



Additional Wireless Support: [support.brother.com/wireless-support](http://support.brother.com/wireless-support)

For FAQs, Troubleshooting, and to download software and manuals, visit [support.brother.com](http://support.brother.com). For product specifications, see the *Online User's Guide*.

© 2018 Brother Industries, Ltd. All rights reserved.

## Free Manuals Download Website

<http://myh66.com>

<http://usermanuals.us>

<http://www.somanuals.com>

<http://www.4manuals.cc>

<http://www.manual-lib.com>

<http://www.404manual.com>

<http://www.luxmanual.com>

<http://aubethermostatmanual.com>

Golf course search by state

<http://golfingnear.com>

Email search by domain

<http://emailbydomain.com>

Auto manuals search

<http://auto.somanuals.com>

TV manuals search

<http://tv.somanuals.com>