



AUTOMATIC TRACTOR

Parts Manual

Models
A21A42 42" Automatic Tractor



GB ENGLISH

581 75 82-27 Rev. 1 (21548155) 10.30.12
Printed in the U.S.A.

HOW TO USE THIS MANUAL

This manual is designed to provide the customer with a means to identify the parts on his/her tractor when ordering repair parts. The illustrations may or may not represent the actual assemblies; therefore, it is not recommended to use this manual as a guide to assemble or disassemble the tractor. Some hardware and parts are drawn larger in order to more readily identify them.

Each tractor has its own model number.

The model number for your tractor can be found on the fender under the seat.

When ordering parts, always give the following information:

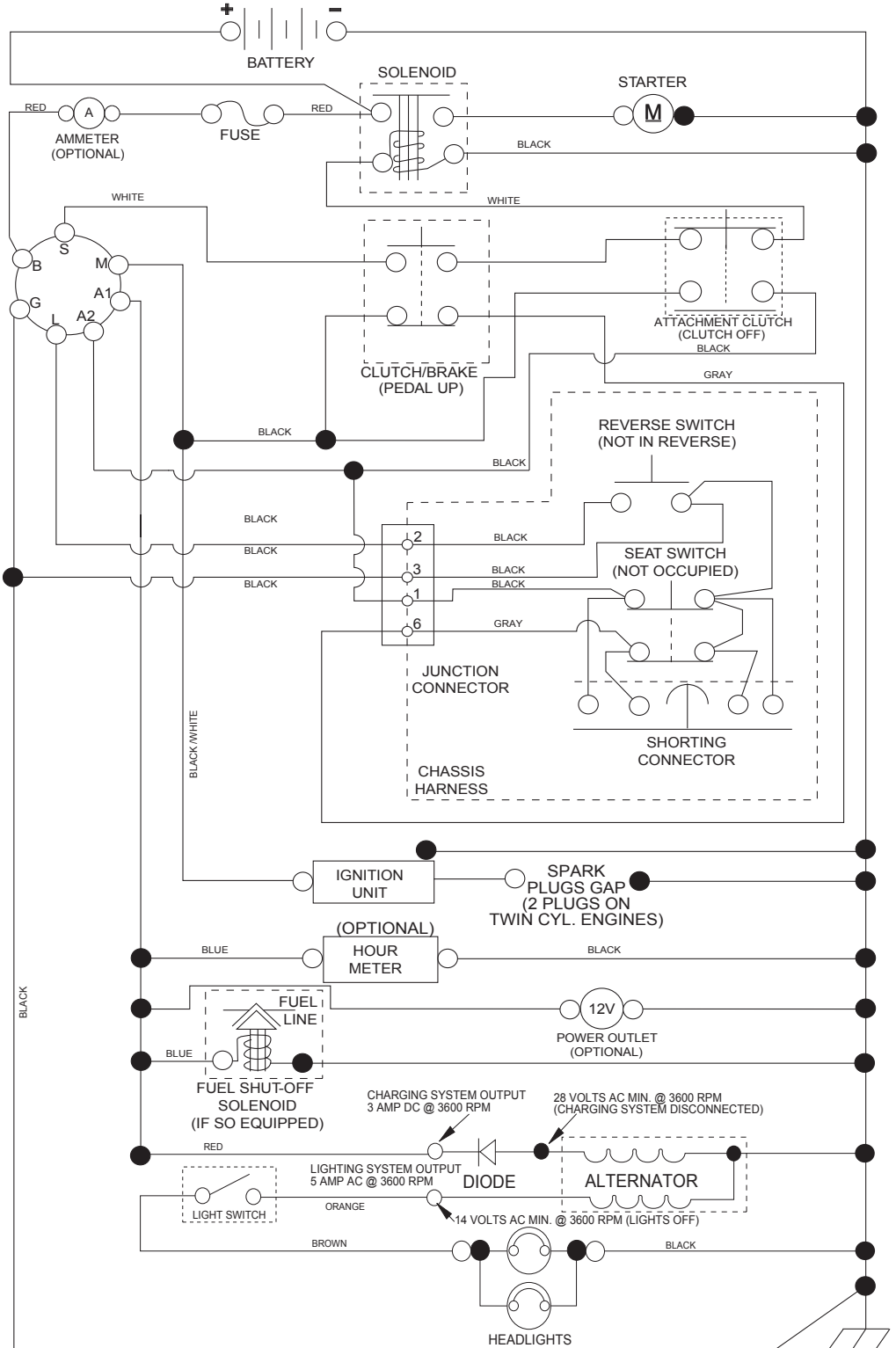
- Product - "Tractor"
- MODEL NUMBER - "A21A42 (96046005400)"
- Part Number
- Part Description

TABLE OF CONTENTS

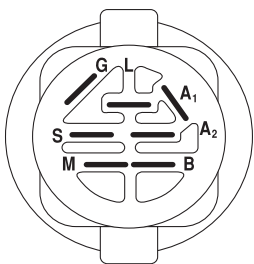
SCHEMATIC	3
ELECTRICAL.....	4-5
CHASSIS	6-7
DRIVE.....	8-9
ENGINE.....	10-11
STEERING	12-13
MOWER DECK	14-15
MOWER LIFT.....	16-17
SEAT	18-19
DECALS.....	20-21
PARTS AND SERVICE.....	22

TRACTOR - - MODEL NO. A21A42 (96046005400), PRODUCT NO. 960 46 00-54 SCHEMATIC

SCH11

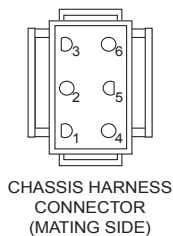


NOTE
YOUR TRACTOR IS EQUIPPED WITH A SPECIAL ALTERNATOR SYSTEM. THE LIGHTS ARE NOT CONNECTED TO THE BATTERY, BUT HAVE THEIR OWN ELECTRICAL SOURCE. BECAUSE OF THIS, THE BRIGHTNESS OF THE LIGHTS WILL CHANGE WITH ENGINE SPEED. AT IDLE THE LIGHTS WILL DIM. AS THE ENGINE IS SPEEDED UP, THE LIGHTS WILL BECOME THEIR BRIGHTEST.



IGNITION SWITCH

POSITION	CIRCUIT "MAKE"
OFF	M+G+A1
RUN/OVERRIDE	B+A1
RUN	B+A1 L+A2
START	B + S + A1

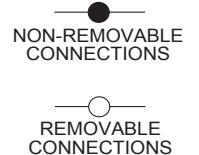


CHASSIS HARNESS CONNECTOR (MATING SIDE)



DASH HARNESS CONNECTOR (MATING SIDE)

WIRING INSULATED CLIPS
NOTE: IF WIRING INSULATED CLIPS WERE REMOVED FOR SERVICING OF UNIT, THEY SHOULD BE RE-INSTALLED TO PROPERLY SECURE YOUR WIRING.

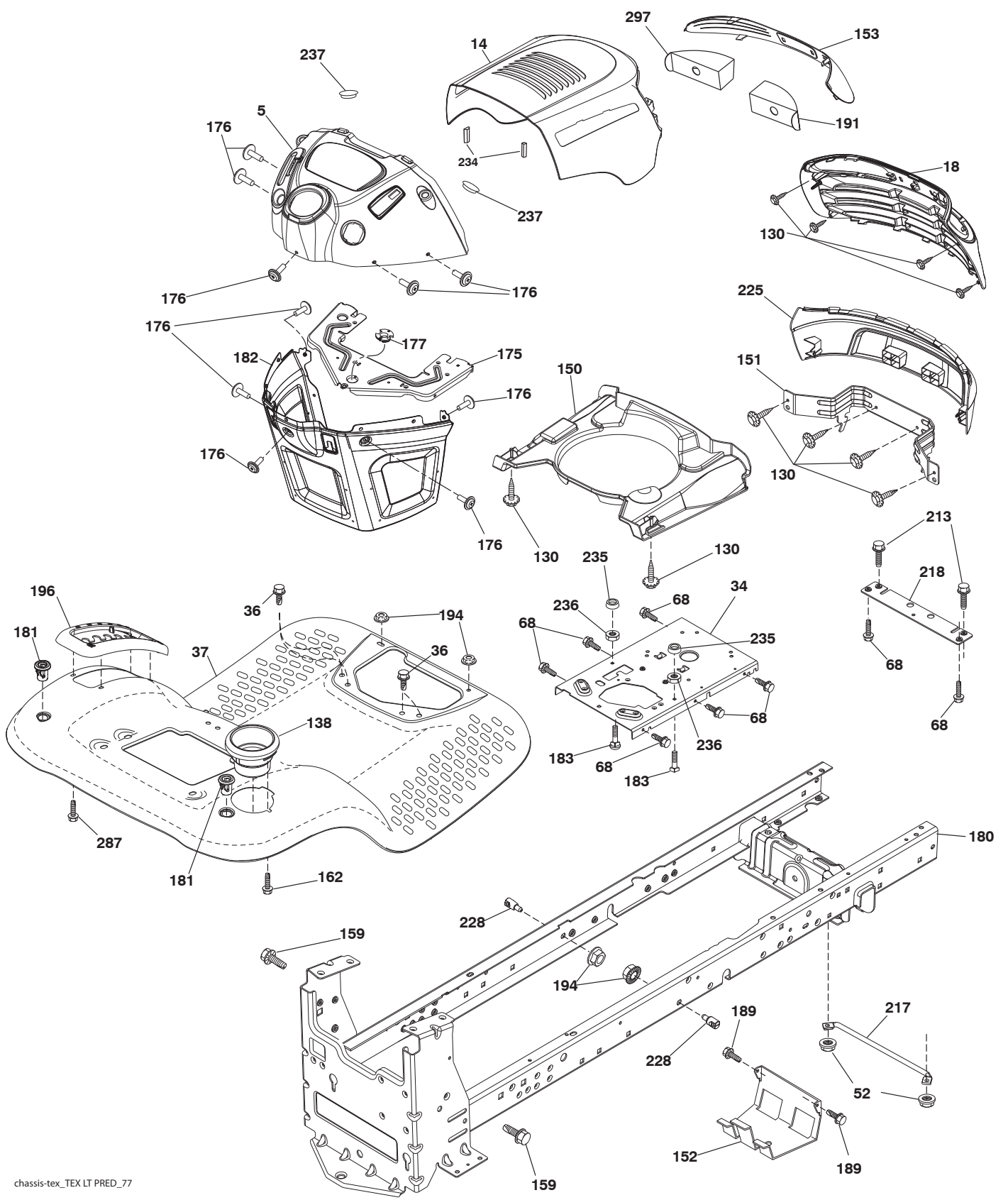


**TRACTOR - - MODEL NO. A21A42 (96046005400), PRODUCT NO. 960 46 00-54
ELECTRICAL**

ITEM NO.	MFG. NO.	ARIENS PART NO.	DESCRIPTION
1	532 16 34-65	21546162	BATTERY.12.VOLT.28.AMP.WET
2	874 76 04-12	21546803	BOLT HEX HD 1/4-20 UNC X 3/4
8	532 19 32-28	21546315	BOX.BATTERY.MOUNT.FRONT.LT
16	532 17 61-38	21546205	SWITCH.INTERLOCK.NONO.GRAY
21	532 40 02-52	21547584	HARNESS.ASM.LIGHT.22"(4152J)
22	532 00 41-52	21546673	BULB.LIGHT.#1156
25	532 41 28-95	21547566	CABLE STARTER 6 G4. BL/RED 14.5
26	532 17 51-58	21546200	FUSE.20 AMP.
27	873 51 04-00	21546779	NUT, KEPS HEX 1/4-20 UNC
28	532 19 88-85	21546481	CABLE.GROUND 22"
29	532 40 15-45	21546574	SWITCH.SEAT.DELTA.OPC.9LB.
30	532 19 33-50	21546319	SWITCH.IGN.DLTA.P-IN.ROS
33	532 41 19-33	21547339	KEY/CHAIN.BLISTER PACK.GEN.CE
34	532 11 07-12	21546050	SWITCH.LIGHT/RESET.B/B/RED.
40	532 40 10-98	21546568	HARNESS.IGN.DASH.HUSQ/PRED.
41	817 72 04-08	21546210	SCREW 1/4-20 X 1/2
42	532 13 15-63	21546082	COVER.TERMINAL.RED
43	532 19 25-07	21546294	SOLENOID.W/BRASS PLUNGER.2005
55	817 06 05-12	21546187	SCREW.5/16-18X3/4.SMGML.TAP/R
71	532 40 04-49	21546558	HARNESS.IGN.CHASSIS.TEX
79	532 17 52-42	21546201	SOCKET ASM.BULB.TWISTLOCK
87	532 19 78-02	21546457	SWITCH.INTERLOCK.CLUTCH
90	532 43 53-95	21547570	COVER TERMINAL BATTERY FR. TEX
92	532 19 66-15	21546412	HARNESS.PIGTAIL.CONSOLE.ROS.MLK
93	532 19 25-40	21546295	SCREW.PLASTITE.10-14 X 2.0
94	532 19 18-34	21546849	MODULE.REVERSE.ROS

NOTE: All component dimensions given in U.S. inches
1 inch = 25.4 mm

**TRACTOR - - MODEL NO. A21A42 (96046005400), PRODUCT NO. 960 46 00-54
CHASSIS**



chassis-tex_TEX LT PRED_77

**TRACTOR - - MODEL NO. A21A42 (96046005400), PRODUCT NO. 960 46 00-54
CHASSIS**

ITEM NO.	MFG. NO.	ARIENS PART NO.	DESCRIPTION
5	532 42 57-72	21547746	DASH
14	532 44 17-89	21547755	HOOD
18	532 44 17-83	21547753	GRILLE
34	580 91 08-01	21548072	PLATE.ENGINE.WELDED.CHASSIS
36	817 06 05-12	21546187	SCREW.5/16-18 X 3/4.SMGML.TAP/R
37	532 44 12-66	21547643	FENDER.TLT.FS.W/CUPHLD
52	873 68 05-00	21546784	NUT, HEX, CROWNLOCK 5/16-18
68	817 49 05-08	21546199	SCREW.THDR.L.5/16-18 X 1/2TYTT
130	532 41 63-58	21546675	SCREW
138	532 40 97-30	21547560	CUPHOLDER.TL.TEX.428
150	532 40 83-10	21547591	AIR DUCT.INTAKE.B&S
151	532 18 75-68	21547052	BRACKET.PIVOT
152	532 19 95-35	21546501	SHIELD.BROWNING.W/TEX
153	532 40 97-40	21547743	LENS.ARIENS
159	817 00 06-12	21546181	SCREW.HEXWSH THDR3/8-16X3/4.BL
162	532 14 24-32	21546106	SCREW.HEX.WSH.HI-LO.1/4 X 1/2 UNC
175	532 19 94-72	21547740	CROSSMEMBER.LT
176	532 40 07-76	21546562	SCREW.#10-24X5/8.RND.QUDRX.GIM
177	532 19 52-28	21546357	BUSHING.STEERING.LT
180	532 19 54-57	21547555	CHASS.WLDMT.TL.12GA
181	532 40 47-96	21547557	BUSHING.MNT.FEND.CRGO.BLK.TEX
182	532 40 71-76	21547590	DASH LOWER
183	874 52 05-20	21547383	BOLT.FIN.HEX.5/16-18 UNC X1-1/4
189	817 00 05-12	21546180	SCREW.5/16-18 X 3/4.SMGML.TAP/BL
191	532 41 65-02	21547592	INSERT REFLECTIVE RH
194	873 90 05-00	21546789	NUT, LOCK HEX FLANGE 5/16-18 UNC
196	532 43 95-30	21547812	CONSOLE ASM.DECKLFT.BL/RBT.TLT
213	874 76 05-12	21546804	BOLT, HEX HEAD 5/16-18 X 3/4
217	532 40 91-67	21546636	ROD.PIVOT.HOOD
218	532 19 63-95	21546400	X-PIECE.HOOD.STOP.NON/STEALTH
225	532 43 94-64	21547953	BUMPER
228	532 19 51-61	21546343	STUD.FASTNER.W/D'ANTI-ROTATION
234	532 40 47-42	21547742	BUMPER HOOD
235	532 40 61-29	21546619	SPACER.FENDER
236	873 93 05-00	21546793	NUT.CENTER LOCK.5/16-18 UNC
237	532 40 37-04	21547588	PLUG.MOUNT.CARGO
287	817 60 04-06	21546204	SCREW.HEX.WASHEAD.1/4-20 X 3/8
297	532 40 18-27	21547587	INSERT REFLECTIVE LH

NOTE: All component dimensions given in U.S. inches
1 inch = 25.4 mm

**TRACTOR - - MODEL NO. A21A42 (96046005400), PRODUCT NO. 960 46 00-54
DRIVE**

ITEM NO.	MFG. NO.	ARIENS PART NO.	DESCRIPTION
1	-----	-----	TRANSAXLE, TUFFTORQ K46BA (448348) (ORDER PARTS FROM TRANSAXLE MANUFACTURER.)
2	532 12 35-83	21546070	KEY.SQUARE.2.0 X .1845/.1865
15	819 13 13-16	21546284	WASHER.13/32 X 13/16 X 16 GA.
17	532 41 36-78	21546654	SPRING.BRAKE.K46.GREEN
22	532 19 76-60	21546450	ROD.SHIFT.FENDER.TLT.2006
23	532 10 69-33	21547222	KNOB 1/2-13
29	532 40 38-06	21546593	ROD.BRAKE.K46
33	812 00 00-01	21546051	E-RING.#5133-75
35	532 40 10-31	21547585	ROD BRAKE PARKING LT TEX
42	532 12 48-72	21547538	COVER PEDAL BLK ROUND
49	872 11 06-14	21546766	BOLT.RDHD.3/8-16 UNC X 1-3/4.GR5
50	532 19 43-27	21546331	IDLER.FLAT.910"OFFSET
51	873 90 06-00	21546790	NUT, HEX, FLANGELOCK 3/8-16
52	532 19 43-26	21546330	IDLER.V-GROOVE.910"OFFSET
56	532 13 09-69	21546080	V-BELT.MOWER.92.40.42/K46
64	532 19 62-00	21546387	SHAFT ASM.PEDAL.BRAKE CONTROL
70	532 41 13-29	21547563	CONSOLE SHIFT STL HYD BLACK TX
73	874 49 05-40	21547614	BOLT HEX FLGHD 5/16-18 GR.5
74	532 14 24-32	21546106	SCREW.HEX.WSH.HI-LO.1/4X1/2UNC
80	532 44 06-19	21547733	STRAP.TORQUE.K46/18"TEX
99	532 41 57-42	21546674	ROD.SPRING.BYPASS.K46.LT.Z
116	873 90 05-00	21546789	NUT, LOCK HEX FLANGE 5/16-18 UNC
125	817 00 05-12	21546180	SCREW.5/16-18 X 3/4.SMGML.TAP/BL
143	817 49 05-08	21546199	SCREW.THDROL.5/16-18 X 1/2TYTT
153	532 12 47-88	21547536	RETAINER SPRING
159	876 02 04-12	21546820	PIN.COTTER.1/8 X 3/4.CAD.
160	532 16 94-84	21546178	RETAINER.CLIP(M).DIA.290
161	532 10 57-09	21546028	SPRING.RETURN.CLUTCH.6.75
166	532 42 91-64	21547349	NUT PUSH .625
167	532 40 52-57	21546608	LATCH.BRAKE.PARKING
170	532 19 43-22	21547311	KEEPER BELT CENTERSPAN
171	872 11 06-16	21546767	SCREW.3/8-16 UNC X 2
174	532 19 72-89	21546431	NUT.PUSH..500
175	532 40 62-08	21547558	SHAFT ASM SHIFT
176	532 19 62-14	21546394	ARM.CLEVIS.ROD.SHIFT
178	532 19 74-56	21546445	SPRING.SHIFT.GT.2006
183	532 13 70-57	21546087	SPACER.AXLE.HYDRO/PEERLES
184	532 44 14-07	21547749	HANDLE PARKING BRAKE LT TEX 667
185	872 11 06-22	21546768	BOLT.RDHD.3/8-16 UNC X 2-3/4 GR5
186	532 19 43-21	21546328	SPACER.RETAINER
187	819 13 32-10	21546287	WASHER.13/32 X 2 X 10 GA.
188	532 19 43-23	21546329	LINK.CLUTCH.GROUND DRIVE
189	532 19 43-17	21546324	BELLCRANK.GROUNDRIE.NSTG/NSTL
190	532 19 43-18	21546325	KEEPER.BELLCRANK.DRIVE.GROUND
205	532 12 17-48	21546066	WASHER.25/32 X 1-5/8 X 16 GA.
211	532 19 62-12	21546393	BUSHING.SHAFT.BRAKE.HAND CONTR
216	532 19 61-31	21546385	BRACKET.PULLEY.IDLER.WTEX
221	532 40 31-87	21546588	RETAINER.SPRING.CLIP.HANDLE
225	532 40 33-19	21546589	KEEPER.BELT.TRANSAXLE.K46
226	532 40 15-64	21546575	BRACKET.MOUNT.TORQUE.K46.TLT
227	817 49 05-12	21547613	SCREW.THDROL.5/16-18 X 3/4
230	532 18 89-67	21546272	WASHER.HARDEN..793 X 1.637 X 060
232	874 78 07-16	21546818	BOLT.FIN HEX.7/16-14X1 GR5
233	532 40 52-96	21546609	WASHER.SERRATED
279	532 40 62-07	21547580	LINK SHIFT T/A

NOTE: All component dimensions given in U.S. inches
1 inch = 25.4 mm

TRACTOR - - MODEL NO. A21A42 (96046005400), PRODUCT NO. 960 46 00-54 ENGINE

ITEM NO.	MFG. NO.	ARIENS PART NO.	DESCRIPTION
1	-----	-----	ENGINE B&S MODEL NO. 331977-0004-G1(581753301)(ORDER PARTS FROM ENGINE MANUFACTURER.)
2	532 18 86-55	21546269	MUFFLER
9	532 19 43-20	21546327	KEEPER.BELT.ENGINE
12	532 40 54-71	21548149	PULLEY ENGINE
15	532 43 30-03	21547828	TANK.FUEL
18	581 17 61-01	21548118	CAP FUEL
20	532 18 38-97	21547727	CONTROL THROTTLE/CHOKE
21	532 41 63-58	21546675	SCREW #10 X 0.750 BOS THREAD
28	532 40 11-37	21546571	LINE.FUEL.64"REAR.EMIS.CA.LP
29	532 13 71-80	21546090	KIT.SPARK ARRESTOR
37	532 12 34-87	21546069	CLAMP.HOSE.BLK.
42	810 04 07-00	21546004	WASHER.LOCK.HVY HLCL.SPR.7/16
45	873 51 04-00	21546779	NUT, KEPS HEX 1/4-20 UNC
69	532 16 52-91	21547111	GASKET
79	532 19 23-34	21546293	SCREW.SOCKET HD.5/16-18 X .75
81	532 14 84-56	21546117	TUBE.DRAIN.OIL.EASY
82	532 42 82-87	21547348	VALVE.OIL.DRAIN
84	817 06 06-20	21547225	SCREW.3/8-16.X.1-1/4
85	532 17 39-37	21546293	BOLT HEX 7/16-20 X 4 X GR. 5-1.5 THR
87	532 17 18-77	21546190	BOLT.5/16-18 UNC X 3/4 W/SEMS.BLK
90	817 00 06-16	21546182	SCREW.3/8-16X1.SMGML.TAP/R.BLK
94	532 40 54-50	21547589	TUBE EXHAUST
96	819 09 14-16	21546277	WASHER. 9/32 X 7/8 X 16GA
97	817 67 04-12	21546207	SCREW.HEXWSH.THDROL.1/4-20X3/4
111	532 41 41-19	21546660	PURGE LINE

NOTE: All component dimensions given in U.S. inches 1
inch = 25.4 mm

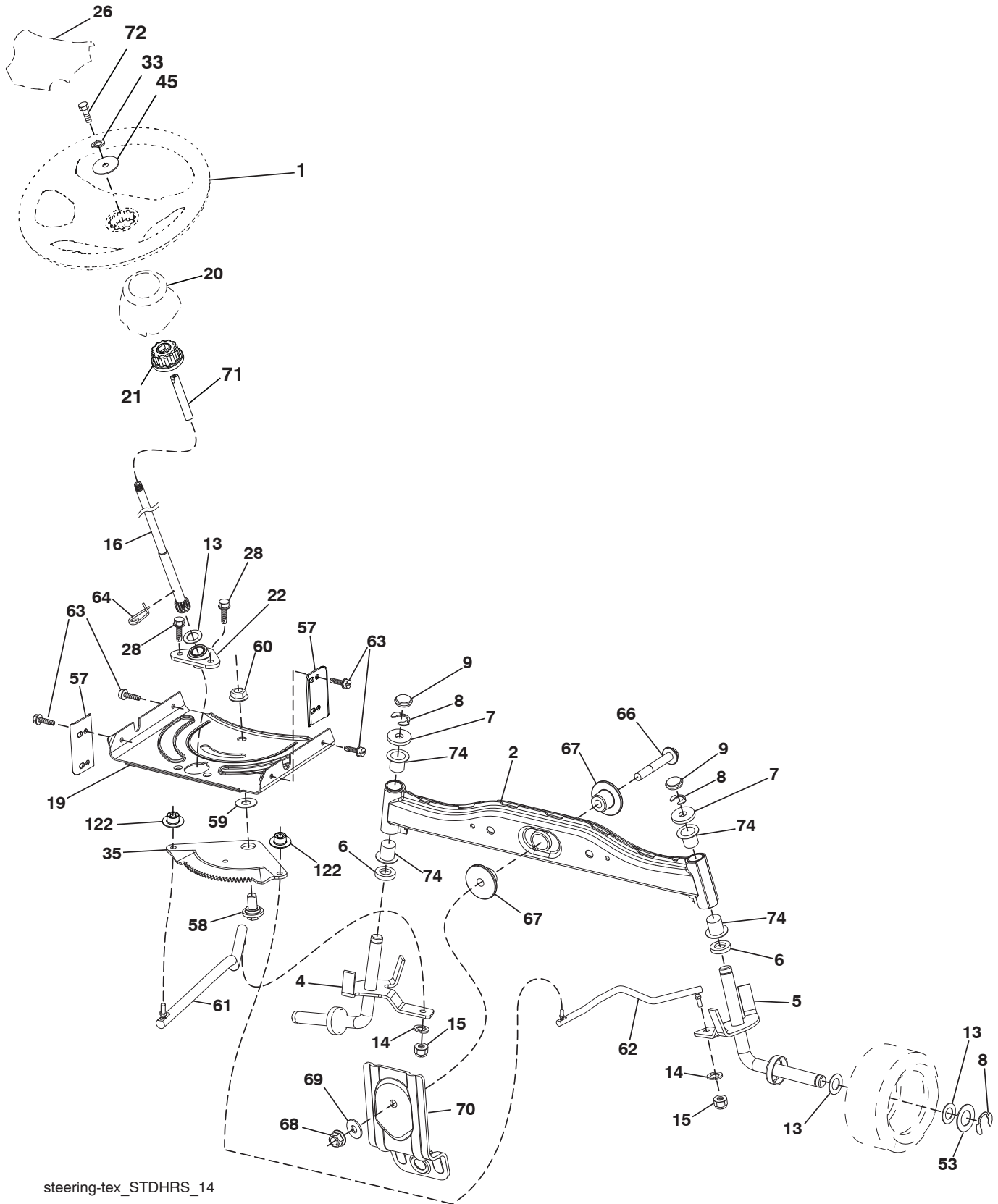
For engine service and replacement parts, call the toll free number
for your engine manufacturer listed below:

Briggs & Stratton 1-800-233-3723

Engine Power Rating Information

The gross power rating for individual gas engine models is labeled in accordance with SAE (Society of Automotive Engineers) code J1940 (Small Engine Power & Torque Rating Procedure), and rating performance has been obtained and corrected in accordance with SAE J1995 (Revision 2002-05). Torque values are derived at 3060 RPM; horsepower values are derived at 3600 RPM. Actual gross engine power will be lower and is affected by, among other things, ambient operating conditions and engine-to-engine variability. Given both the wide array of products on which engines are placed and the variety of environmental issues applicable to operating the equipment, the gas engine will not develop the rated gross power when used in a given piece of power equipment (actual "on-site" or net power). This difference is due to a variety of factors including, but not limited to, accessories (air cleaner, exhaust, charging, cooling, carburetor, fuel pump, etc.), application limitations, ambient operating conditions (temperature, humidity, altitude), and engine-to-engine variability. Due to manufacturing and capacity limitations, Briggs & Stratton may substitute an engine of higher rated power for this Series engine.

TRACTOR - - MODEL NO. A21A42 (96046005400), PRODUCT NO. 960 46 00-54
STEERING ASSEMBLY



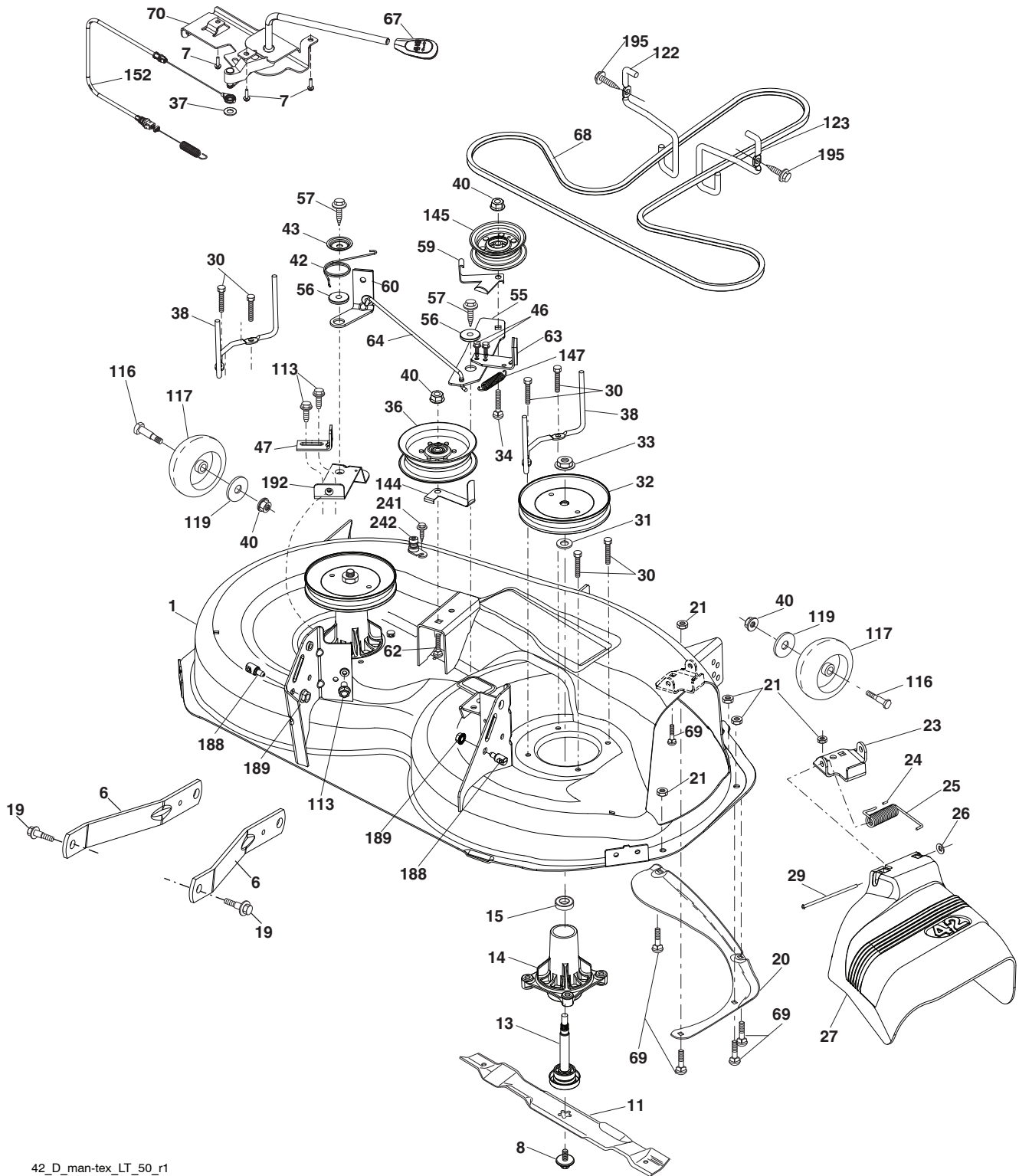
steering-tex_STDHRS_14

**TRACTOR - - MODEL NO. A21A42 (96046005400), PRODUCT NO. 960 46 00-54
STEERING ASSEMBLY**

ITEM NO.	MFG. NO.	ARIENS PART NO.	DESCRIPTION
1	532 42 45-43	21547744	WHEEL STEERING
2	532 41 81-68	21546681	AXLE ASM.WELDED
4	532 40 30-87	21546582	SPINDLE ASM., LH
5	532 40 30-88	21546583	SPINDLE ASM., RH
6	532 12 49-31	21547540	WASHER THRUST .75 X 1.230
7	532 12 17-48	21546066	WASHER.25/32 X 1-5/8 X 16GA.
8	812 00 00-29	21546053	RING.KLIP.#T5304-75
9	532 12 12-32	21546064	CAP.SPINDLE.FR.TOPBLK.
13	532 12 17-49	21546067	WASHER.25/32 X 1 1/4 X 16 GA.
14	810 04 06-00	21546003	WASHER, LOCK 3/8
15	873 54 06-00	21546782	NUT.CROWNLOCK.3/8-24
16	532 42 93-74	21547227	SHAFT.STEER.3/4 TEX.NON-PLATED
19	532 19 47-29	21546334	PLATE.STEER.DDL.NLT/NGT
20	532 40 97-63	21547850	BOOT STEERING LT TEX .428
21	532 18 67-37	21546234	ADAPTER.WHEEL.STRG..760
22	532 42 05-37	21547007	STEERING SUPT. LOWER
26	532 42 46-91	21547568	CAP WHEEL STEERING HRS/SRS BLACK
28	817 00 06-12	21546181	SCREW.HEXWSH THDR 3/8-16 X 3/4.BL
33	810 04 05-00	21546002	WASHER LOCK 5/16
35	532 19 47-32	21546335	GEAR SECTOR.PLATE.DDL.NLT/NGT
45	819 11 38-12	21546280	WASHER.11/32ID X2 3/8OD X 12GA
53	532 18 89-67	21546272	WASHER.HARDEN..793 X 1.637 X 060
57	532 40 74-65	21546623	BRACKET.UPSTOP.GT/LT.TEX
58	532 19 47-47	21546339	BOLT.SHOULDER.SECTOR.PIVOT.CFM
59	532 19 47-48	21546340	WASHER.THRUST.SECTOR.STEER.NLT
60	873 97 10-00	21546797	NUT.FLANGE LOCK.5/8-11
61	532 19 47-40	21546337	DRAGLINK.LH.BALLSTUD.DDL.
62	532 19 47-41	21546338	DRAGLINK.RH.BALLSTUD.DDL
63	817 00 05-12	21546180	SCREW.5/16-18X3/4.SMGML.TAP/BL
64	532 19 98-49	21546512	RETAINER.CLIP.SPRING.STEERING
66	871 02 07-48	21546754	BOLT.HEX.FGHD.7/16-14 X 3.SERR
67	532 19 47-37	21546336	BUSHING.PM.FRONT AXLE
68	873 90 07-00	21546791	NUT.LOCK.FLANGE.7/16-14.GR5
69	532 19 91-62	21546483	WASHER.1.5 X .505 X .118
70	532 19 61-97	21546386	BRACKET.DECK.SUSPENSION.FRONT
71	532 19 07-52	21547131	SHAFT EXTENSION STEERING
72	532 42 89-82	21547139	BOLT.FIN.HEX.5/16-18 UNC X 4 W/PATCH
74	532 12 49-37	21547541	BEARING.COL.STEERING
122	532 44 49-62	21547948	CAP GEAR SECTOR

NOTE: All component dimensions given in U.S. inches
1 inch = 25.4 mm

**TRACTOR - - MODEL NO. A21A42 (96046005400), PRODUCT NO. 960 46 00-54
MOWER DECK**



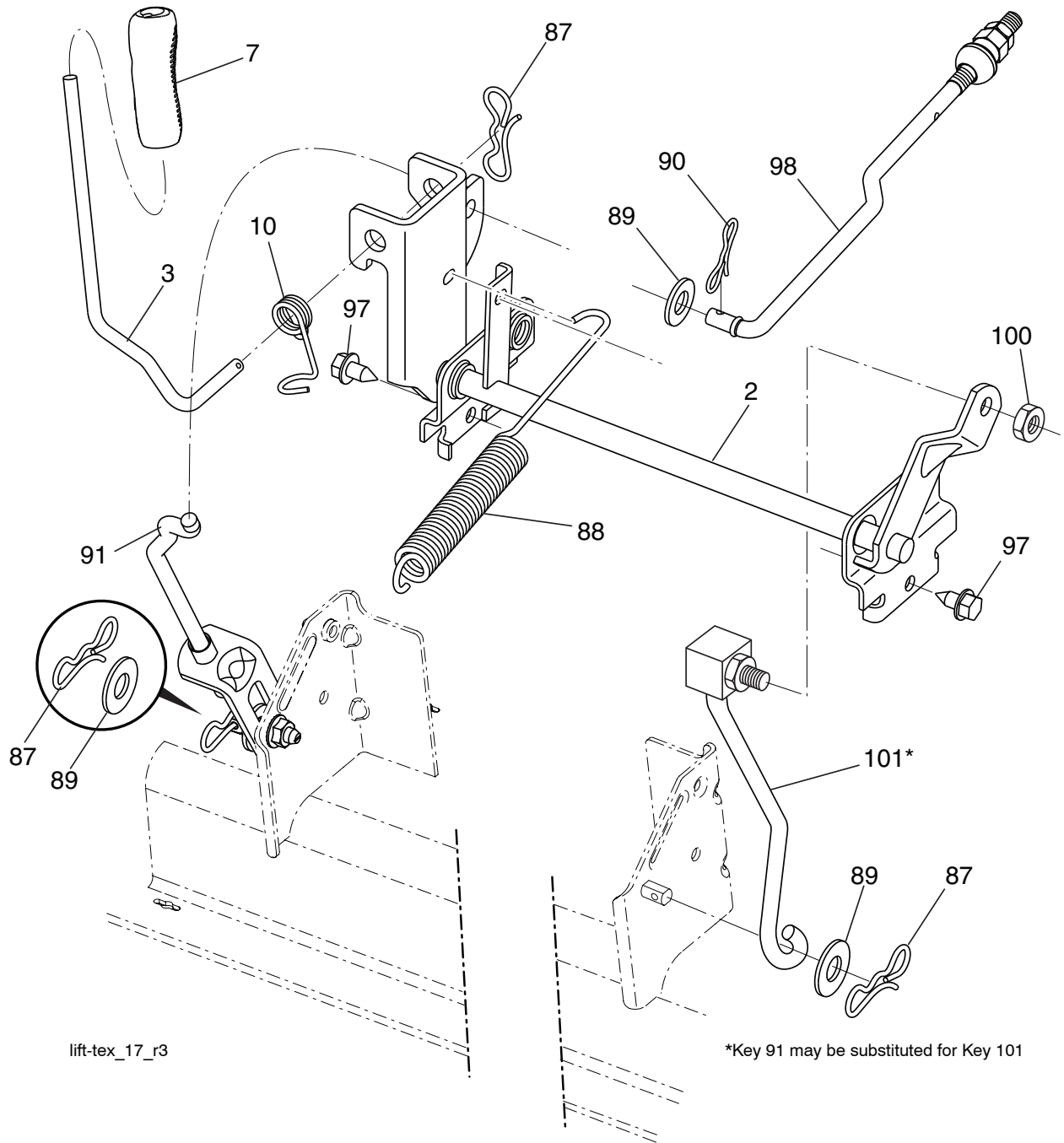
42_D_man-tex_LT_50_r1

TRACTOR - - MODEL NO. A21A42 (96046005400), PRODUCT NO. 960 46 00-54 MOWER DECK

ITEM NO.	MFG. NO.	ARIENS PART NO.	DESCRIPTION	ITEM NO.	MFG. NO.	ARIENS PART NO.	DESCRIPTION
1	532 19 64-95	21547805	MOWER HOUSING	55	532 43 71-10	21547834	IDLER.ARM
2	872 14 05-06	21547167	BOLT 5/16-18 UNC X 3/4	56	532 19 90-92	21546482	SPACER.RETAINER
6	532 19 51-86	21546347	ARM.SUSPENSION. MOWER.REAR.LD	57	817 00 06-16	21546182	SCREW.3/8-16X1.SMGML. TAP/R.BLK
7	532 41 63-58	21546675	SCREW #10 X 0.750	59	532 14 10-43	21546103	GUARD.TUV.IDLER
8	532 19 30-03	21546301	BOLT/WASHER ASM.7/16- 20.UNF	60	532 19 72-61	21546429	ARM.BRAKE.MOWER
11	532 13 89-71	21546095	BLADE.MOWER.42"HI LIFT PREMIUM	62	872 11 06-16	21546767	BOLT.RD.HD.SQ.NK.3/8- 16UNC X 2
13	532 19 28-72	21546300	SHAFT ASM.MNDRL.N/ GREASEABLE38	63	532 19 94-77	21546499	ARM.BRAKE.MOWER
14	532 18 72-81	21546238	HOUSING.MANDREL.4PT. SERVICE	64	532 19 97-90	21546511	LINKAGE.BRAKE
15	532 11 04-85	21546046	BEARING.BALL.MANDREL	67	532 40 30-12	21547741	HANDLE.CLUTCH.CABLE
19	532 19 65-39	21546411	BOLT.SHOULDER	68	532 42 96-36	21547238	BELT.DRIVE.
20	532 15 97-70	21546144	BAFFLE.VORTEX.42.STD/ HEAVY DTY	69	872 14 05-05	21546770	BOLT.RDHD.SQNK.5/16-18 X 5/8
21	873 68 05-00	21546784	NUT, HEX, CROWNLOCK 5/16-18	70	532 40 12-46	21547586	CLUTCH ASM.MANUAL
23	532 19 25-57	21546296	BRACKET. DEFLECTOR.38/42"2005	113	817 00 05-10	21546179	BOLT.5/16-18
24	532 10 53-04	21546025	CAP.SLEEVE..80 X.112.BLK. MOWER	116	532 12 48-42	21547537	BOLT.SHLD."A"2.41."B"1.66
25	532 19 70-26	21546416	SPRING.TORSION. DFL.38/42/46.GR	117	532 18 86-06	21546267	WHEEL.GAGE.HALF. SPOKED
26	532 11 04-52	21546045	NUT.PUSH.PHOS.& OIL	119	819 12 14-14	21546281	WASHER 3/8 X 7/8 X 14 GA.
27	532 40 30-04	21547728	SHIELD.DEFLECTOR. MOWER 42"BLK	122	532 19 72-58	21546424	KEEPER.BELT.ENGINE.LH
29	532 13 14-91	21546081	ROD.HINGE.42/46"	123	532 19 72-59	21546426	KEEPER.BELT.ENGINE.RH
30	532 17 39-84	21546192	SCREW.THDROLL.DOD PT.HEX	144	532 19 92-04	21546489	KEEPER.BELT.MOWER
31	532 18 76-90	21546253	WASHER.SPACER. MANDREL	145	532 19 31-97	21546308	PULLEY IDLER
32	532 19 74-73	21546446	PULLEY.MANDREL.	147	532 40 19-71	21546579	SPRING.RETURN
33	532 40 02-34	21546554	NUT.FLANGE.LOCK.TOP	152	532 43 51-11	21547599	CABLE CLUTCH MANUAL
34	872 11 06-12	21546765	BOLT.CARR.SH.3/8-16 X 1-1/2.GR5	188	532 19 51-61	21546343	STUD.FASTNER.W/D'ANTI- ROTATIO
36	532 19 73-79	21546440	PULLEY.IDLER.4.50.RAW	189	873 90 05-00	21546789	NUT, LOCK HEX FLANGE 5/16-18 UNC
37	819 13 13-16	21546284	WASHER.13/32 X 13/16 X 16 GA.	192	532 19 72-60	21546428	BRACKET.BRAKE.STAND
38	532 43 25-20	21547367	KEEPER.BELT.MANDREL. PULLEY	195	817 00 05-12	21546180	SCREW.5/16-18X3/4
40	873 90 06-00	21546790	NUT, HEX, FLANGELOCK 3/8-16	241	532 15 29-27	21547128	SCREW
42	532 19 84-10	21546478	SPRING.TORSION	242	532 41 55-98	21547345	PORT.WASHOUT
43	532 19 72-56	21546423	SPRING.TORSION. RETAINER	--	532 41 64-05	21547347	COUPLING.QUICK. CONNECT
46	532 13 77-29	21546091	SCREW.THDROLL.1/4-20 X 5/8	--	532 19 28-70	21546299	MANDREL ASSEMBLY (INCLUDES HOUSING (KEY #14), SHAFT ASSEMBLY (KEY #13), AND BEARING (KEY #15) ONLY - PULLEY/ NUT/WASHER AND BLADE BOLT/WASHERS NOT INCLUDED)
47	532 19 72-50	21546421	BRACKET.CLUTCH.CABLE	--	581 78 06-01	21548157	DECK.SVC.42"HPE.2GWB. TEX.668

NOTE: All component dimensions given in U.S. inches
1 inch = 25.4 mm

**TRACTOR - - MODEL NO. A21A42 (96046005400), PRODUCT NO. 960 46 00-54
MOWER LIFT**



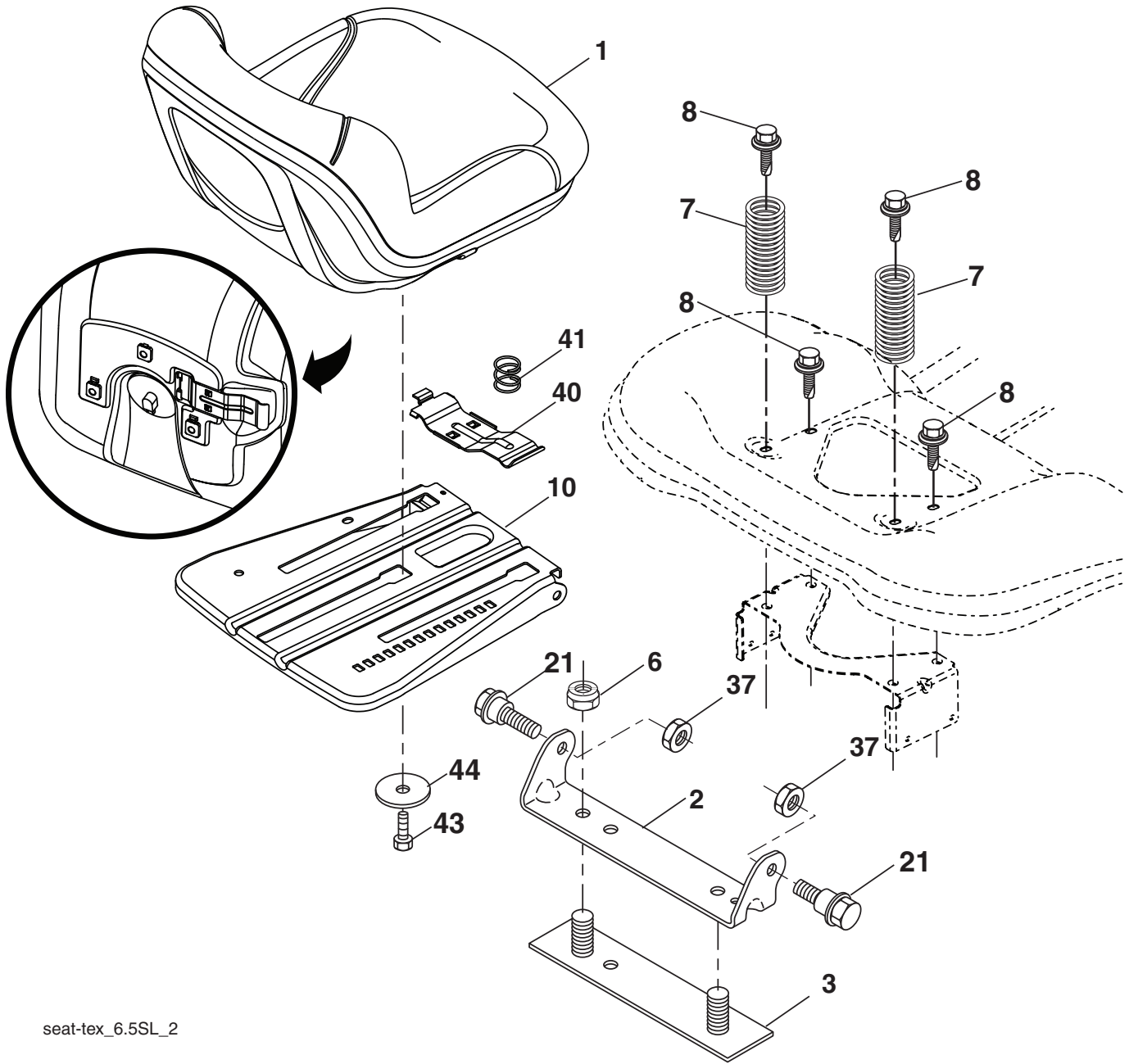
lift-tex_17_r3

**TRACTOR - - MODEL NO. A21A42 (96046005400), PRODUCT NO. 960 46 00-54
MOWER LIFT**

ITEM NO.	MFG. NO.	ARIENS PART NO.	DESCRIPTION
2	532 42 20-27	21547008	SHAFT ASM., LIFT
3	532 19 52-31	21546358	LEVER ASM., LIFT
7	580 96 23-01	21548049	GRIP LEVER 5625 LD BLACK 428
10	532 19 63-14	21546397	SPRING.TORSION.HANDLE.LIFT
87	532 19 42-09	21546322	PIN.COTTER.7/16.BOW TIE LOCK
88	532 41 07-10	21546638	SPRING LIFT ASSIST
89	819 19 19-12	21546292	WASHER.CLEAR ZINC
90	532 19 42-08	21546321	PIN.COTTER.5/16.BOW TIE LOCK
91	532 19 51-81	21546344	LINK LIFT SUSP MOWER REAR
97	817 00 06-12	21546181	SCREW.HEXWSH THDR3/8-16 X 3/4.BL
98	532 19 52-70	21546360	LINK ASM.SUSP.FRONT.MWR.10.5
100	873 93 06-00	21546794	NUT CENTERLOCK 3/8-16 UNC
101	532 40 70-03	21546620	LINK ASM LIFT

NOTE: All component dimensions given in U.S. inches
1 inch = 25.4 mm.

TRACTOR - - MODEL NO. A21A42 (96046005400), PRODUCT NO. 960 46 00-54
SEAT ASSEMBLY



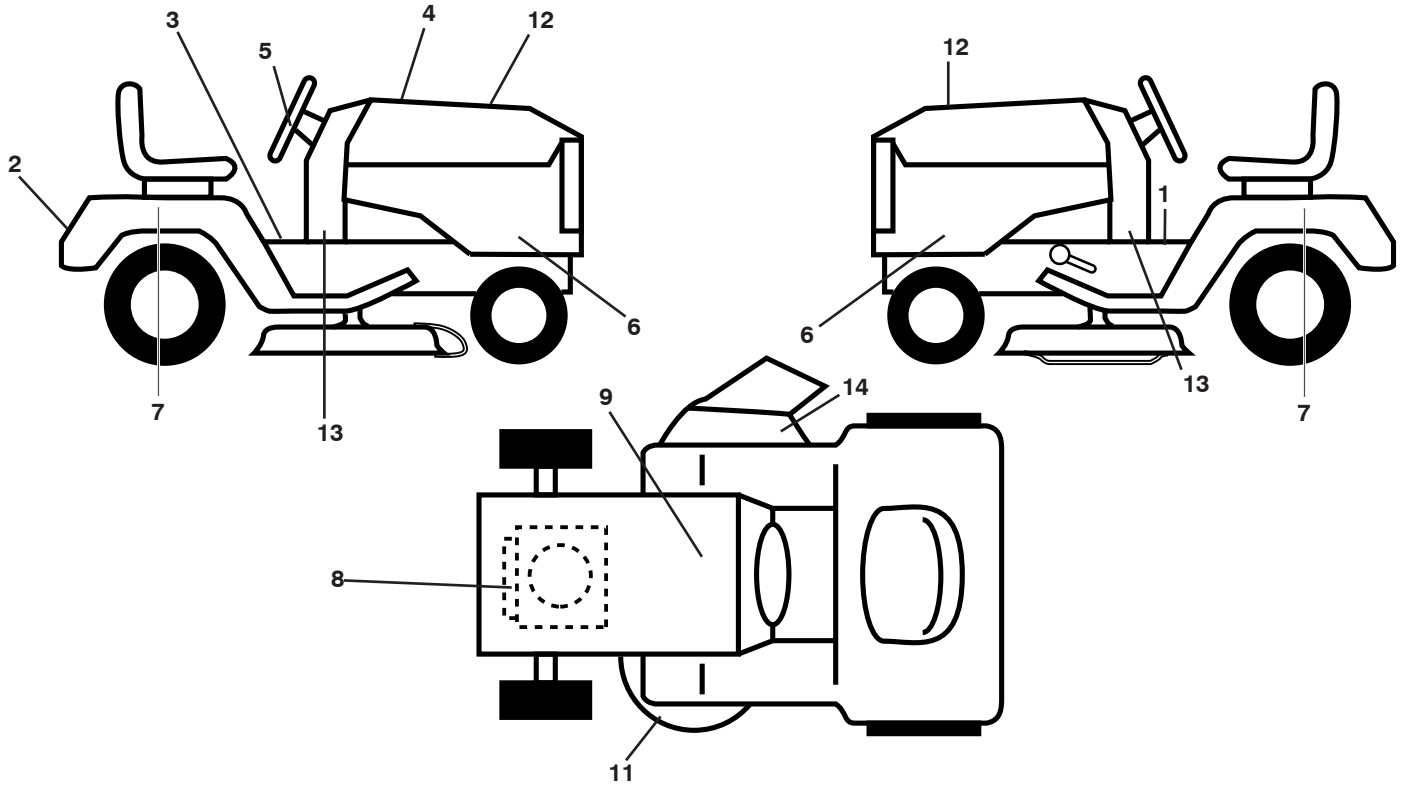
seat-tex_6.5SL_2

**TRACTOR - - MODEL NO. A21A42 (96046005400), PRODUCT NO. 960 46 00-54
SEAT ASSEMBLY**

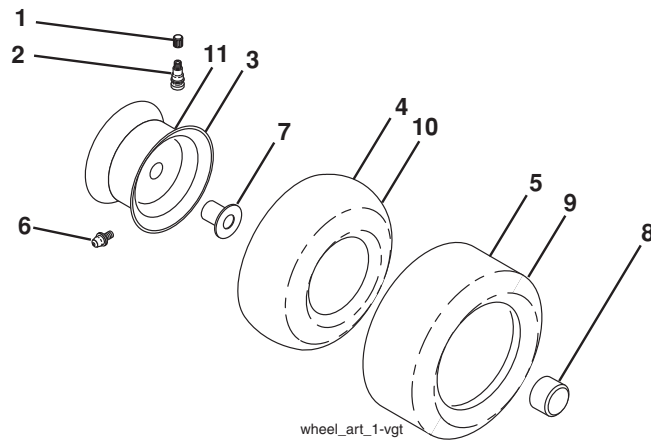
ITEM NO.	MFG. NO.	ARIENS PART NO.	DESCRIPTION
1	532 42 30-10	21546703	SEAT.TA150.KB/SLD.BLK.ARIENS
2	532 18 01-66	21546216	BRACKET.PIVOT.FENDER.2002
3	532 14 06-75	21546101	STRAP ASM.FENDER.94
6	873 80 06-00	21546787	LOCKNUT, WASHER INSERT 3/8-16
7	532 12 41-81	21546074	SPRING.SEAT.CPRSN.2.250.BLK.ZI
8	532 17 18-77	21546190	BOLT.5/16-18 UNC X 3/4 W/SEMS.BLK
10	532 19 69-77	21546414	PAN ASM.SEAT.3PT.
21	532 17 18-52	21546189	BOLT.SHLD.5/16-18 UNC-2A.BLK D
37	873 80 05-00	21546786	LOCKNUT, WASHER INSERT 5/16-18
40	532 19 76-61	21546451	HANDLE.SLIDE.SEAT.TEX.MILSCO
41	532 19 82-00	21546473	SPRING.LATCH.SEAT.TEX
43	874 76 06-12	21546810	BOLT.FIN.HEX.3/8-16 UNC X 3/4
44	819 13 38-12	21546288	WASHER.13/32 X 2 3/8 X 12 GA.

NOTE: All component dimensions given in U.S. inches
1 inch = 25.4 mm

**TRACTOR - - MODEL NO. A21A42 (96046005400), PRODUCT NO. 960 46 00-54
DECALS**



WHEELS AND TIRES



**TRACTOR - - MODEL NO. A21A42 (96046005400), PRODUCT NO. 960 46 00-54
DECALS**

ITEM NO.	MFG. NO.	ARIENS PART NO.	DESCRIPTION
1	581 57 89-01	21548131	DECAL, WARNING START INST.
2	521 43 91-24	21547668	DECAL, LOGO
3	532 44 63-54	21547918	DECAL, FENDER AMERICA.CRAFT
4	581 75 54-01	21548153	DECAL, REPLACEMENT
5	532 43 91-23	21547667	DECAL, STRG WHL
6	532 43 91-26	21547732	DECAL, SIDE PANEL
7	581 66 51-01	21548134	DECAL, FENDER
8	532 42 95-64	21548150	DECAL.ENGINE.HP
9	532 14 50-05	21546109	DECAL, BATTERY DNGE/POI
11	581 58 00-01	21548133	DECAL, V-BELT SCH.
12	532 44 15-86	21547752	DECAL, HOOD
13	581 75 58-01	21548154	DECAL, LWDSH
14	581 57 95-01	21548132	DECAL.MOWER.WARN.KEEP HAND AWY
--	581 72 48-01	21548135	DECAL, BYPASS
--	532 41 12-73	21547561	PAD, FOOTREST, RH
--	532 40 95-05	21547559	PAD, FOOTREST, LH
--	115 54 25-27	21548151	MANUAL, OPERATORS (ENGLISH/FRENCH)
--	115 54 26-31	21548152	MANUAL, OPERATORS (SPANISH)
--	581 75 82-27	21548155	MANUAL, PARTS (ENGLISH/FRENCH)
--	581 77 91-46	21548156	MANUAL, PARTS (SPANISH)

ITEM NO.	MFG. NO.	ARIENS PART NO.	DESCRIPTION
1	532 05 91-92	21546747	CAP, VALVE, TIRE
2	532 06 51-39	21546751	STEM, VALVE
3	532 43 96-73	21547813	RIM ASSEMBLY, FRONT
4	532 05 99-04	21548115	TUBE, FRONT (SERVICE ITEM ONLY)
5	532 10 62-22	21546034	TIRE, FRONT
6	532 12 49-57	21546037	FITTING GREASE
7	532 12 49-59	21547542	BEARING FLANGE
8	532 17 50-39	21547547	CAP AXLE
9	532 13 84-68	21546094	TIRE, REAR
10	532 12 49-26	21547539	TUBE, REAR (SERVICE ITEM ONLY)
11	532 44 08-81	21547814	RIM ASSEMBLY, REAR
--	532 14 43-34	21546845	SEALANT.TIRE.(10 OZ. TUBE)

NOTE: All component dimensions given in U.S. inches
1 inch = 25.4 mm



Ariens Company
 655 West Ryan Street
 Brillion, WI 54110-1072
 1-877-257-6920
 www.ariens.com

PARTS AND SERVICE

This product has been expertly engineered and carefully manufactured to rigid quality standards. As with all mechanical products, some adjustments or part replacement may be necessary during the life of your unit.

For parts and service, contact your local Ariens dealer. To find a dealer in your area, call 1-877-257-6920, or use the Dealer Locator on our web site, www.ariens.com.

- For replacement parts, have available the following information:
 - a. Model Number/Manufacturer's I.D. Number.
 - b. Description of part.

For Technical Assistance: call 1-877-257-6920.

For a Parts Manual, go to our website: www.ariens.com/corporate/Pages/customerservice.aspx

MODEL NUMBER _____

SERIAL NUMBER _____

DATE OF PURCHASE _____

THE MODEL AND SERIAL NUMBERS WILL BE FOUND ON A DECAL ATTACHED TO THE FENDER UNDER THE SEAT OF YOUR TRACTOR.

YOU SHOULD RECORD BOTH SERIAL NUMBER AND DATE OF PURCHASE AND KEEP IN A SAFE PLACE FOR FUTURE REFERENCE.

Ariens

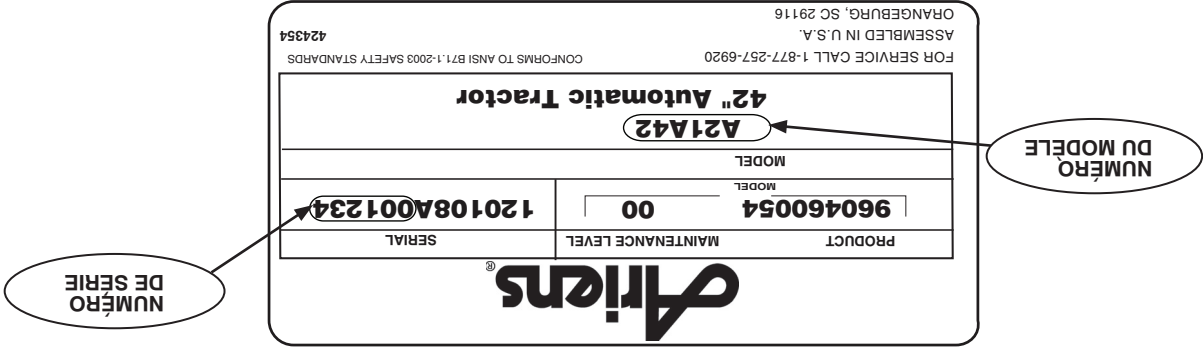
PRODUCT	MAINTENANCE LEVEL	SERIAL
960460054 <small>MODEL</small>	00	120108A001234
<small>MODEL</small>		
A21A42 42" Automatic Tractor		

FOR SERVICE CALL 1-877-257-6920
 ASSEMBLED IN U.S.A.
 ORANGEBURG, SC 29116

CONFORMS TO ANSI B71.1-2003 SAFETY STANDARDS
 424354

MODEL NUMBER (callout to 960460054)

SERIAL NUMBER (callout to 120108A001234)



LE NUMÉRO DU MODÈLE ET SÉRIE SONT TROUVÉS SUR UN DÉCALCOMANIE SUR L'AILLE SOUS LA LA SIÈGE DE VOTRE TRACTEUR. DEVRIEZ-VOUS ENREGISTRER TOUT LE NUMÉRO DU MODÈLE ET SÉRIE ET CONSERVEZ-VOUS DANS UN ENDROIT SÛR POUR RÉFÉRENCE DANS LA FUTUR.

NUMÉRO DU MODÈLE _____

NUMÉRO DE SÉRIE _____

DATE D'ACHAT _____

- Pour les pièces de rechange et l'entretien, contactez notre concessionnaire autorisé: appelez 1-877-257-6920
 - Pour les pièces de rechange, ayez près de vous:
 - A. Numéro du modèle/Référence numéro du fabricant
 - B. Description de la pièce
- Pour l'assistance technique: appelez 1-877-257-6920
- Pour un manuel de pièces, allez à notre site web: www.ariens.com/corporate/Pages/customer-service.aspx

Ce produit, conçu avec les soins les plus attentifs, est fabriqué en accord avec des standards stricts. Comme pour tous les produits avec des parties mobiles, il peut être nécessaire pendant la durabilité de votre machine d'effectuer des ajustements ou le remplacement de certaines pièces.

LES PIÈCES DE RECHANGE L'ENTRETIEN ET



Ariens Company
 655 West Ryan Street
 Brillion, WI 54110-1072
 1-877-257-6920
 www.ariens.com

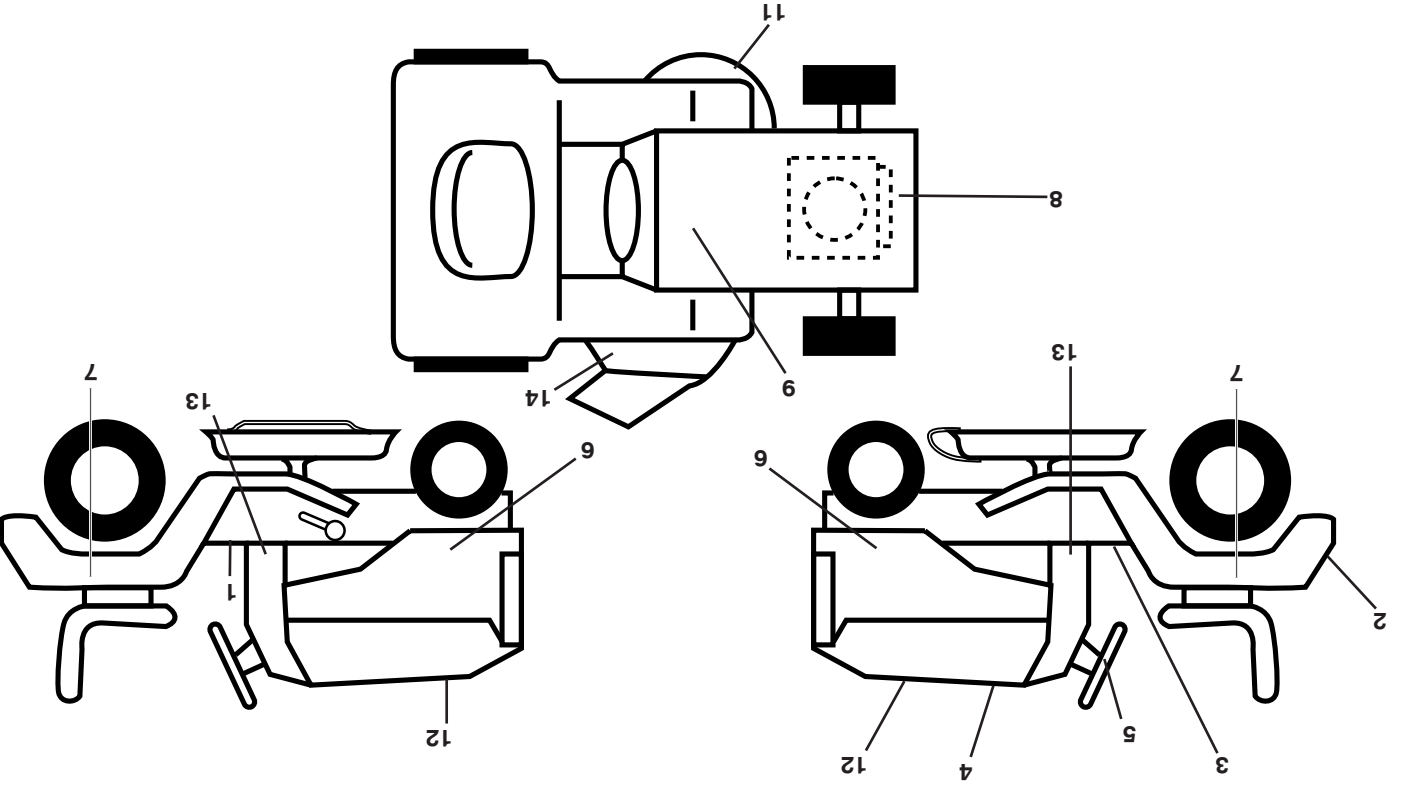
TRACTEUR - NO. DE MODÈLE A21A42 (96046005400), NO. DE PRODUIT 960 46 00-54

DÉCALCOMANIE

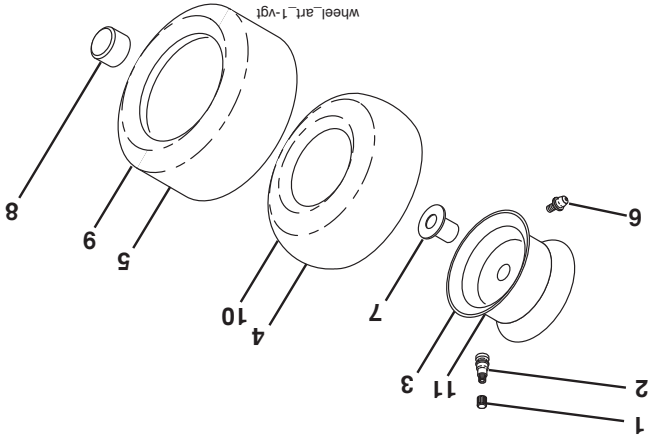
NO. NO. DE	D.OBJ. FAB.	NO. PIÈCE	ARIENS	DESCRIPTION
1	581 57 89-01	21548131		DÉCALCOMANIE D'AVERTISSEMENT
2	521 43 91-24	21547668		DÉCALCOMANIE MARQUE DE FABRIQUE
3	532 44 63-54	21547918		DÉCALCOMANIE AILE AVERTISSEMENT
4	581 75 54-01	21548153		DÉCALCOMANIE DE PIÈCES DE RE-CHANGE
5	532 43 91-23	21547667		DÉCALCOMANIE DÉRIVATION
6	532 43 91-26	21547732		DÉCALCOMANIE DU PANNEAU LATÉRAL
7	581 66 51-01	21548134		DÉCALCOMANIE AILE
8	532 42 95-64	21548150		DÉCALCOMANIE MOTEUR
9	532 14 50-05	21546109		DÉCALCOMANIE DE DANGER/POISON DE LA BATTERIE
11	581 58 00-01	21548133		DÉCALCOMANIE DE LA COURROIE TRA-PÉZOIDALE
12	532 44 15-86	21547752		DÉCALCOMANIE DU CAPOT
13	581 75 58-01	21548154		DÉCALCOMANIE
14	581 57 95-01	21548132		DÉCALCOMANIE D'AVERTISSEMENT
--	581 72 48-01	21548135		DÉCALCOMANIE DÉRIVATION
--	532 41 12-73	21547561		COUSSIN D'REPOSE-PIED C.D.
--	532 40 95-05	21547559		COUSSIN D'REPOSE-PIED C.G.
--	115 54 25-27	21548151		MANUEL DU L'OPÉRATEUR (ANGLAIS/FRANÇAIS)
--	115 54 26-31	21548152		MANUAL, OPERATORS (ESPAÑOL)
--	581 75 82-27	21548155		MANUEL DU PIÈCES (ANGLAIS/FRANÇAIS)
--	581 77 91-46	21548156		MANUAL, PARTS (ESPAÑOL)

NO. NO. DE	D.OBJ. FAB.	NO. PIÈCE	ARIENS	DESCRIPTION
1	532 05 91-92	21546747		CAPUCHON DE LA VALVE DU PNEU
2	532 06 51-39	21546751		TUBULURE DE LA VALVE
3	532 43 96-73	21547813		ENSEMBLE DE LA JANTE ANTÉRIEURE (NON FOURNIE)
4	532 05 99-04	21548115		CHAMBRE À AIR ANTÉRIEURE (NON FOURNIE)
5	532 10 62-22	21546034		PNEU ANTÉRIEUR
6	532 12 49-57	21546037		GRAISSEUR
7	532 12 49-59	21547542		PALIER À BRIDE (ROUE ANTÉRIEURE SEULEMENT)
8	532 17 50-39	21547547		CHAPÉAU DE L'ESSIEU
9	532 13 84-68	21547758		PNEU ARRIÈRE
10	532 12 49-26	21547539		CHAMBRE À AIR ARRIÈRE (NON FOURNIE)
11	532 44 08-81	21547814		ENSEMBLE DE LA JANTE ARRIÈRE
--	532 14 43-34	21546845		JOINT D'ÉTANCHÉITE DE PNEU (TUBE DE .30L [10 OZ. TUBE])

REMARQUE: Toutes les dimensions de composant sont données en pouces E.-U. --1 pouce = 25,4 mm



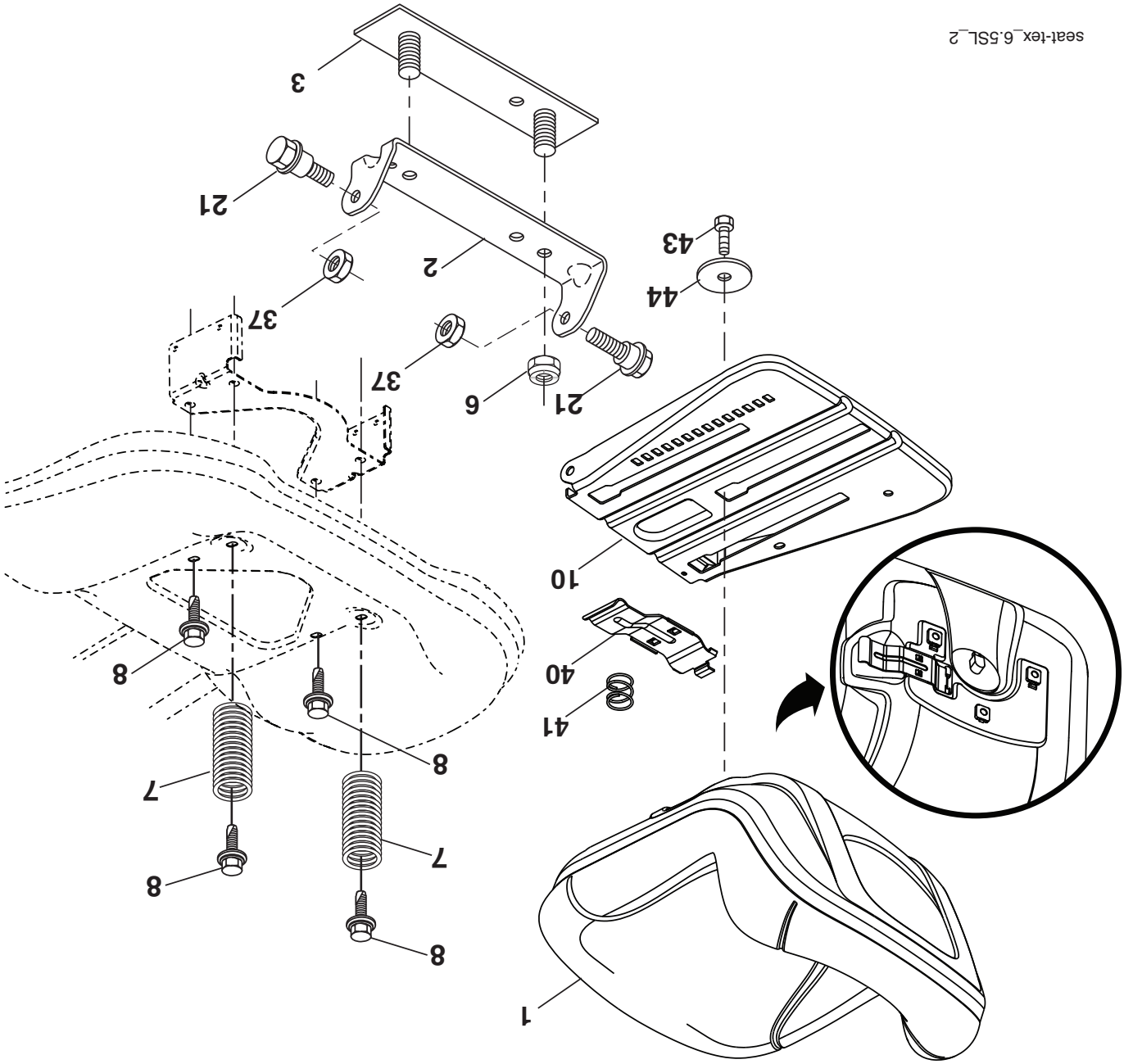
ROUES & PNEUS



**TRACTEUR - NO. DE MODÈLE A21A42 (96046005400), NO. DE PRODUIT 960 46 00-54
ENSEMBLE DU SIÈGE**

NO. DE D.OBJ. FAB.	NO. DE PIÈCE	DESCRIPTION
1	532 42 30-10	SIÈGE
2	532 18 01-66	SUPPORT DE PIVOT
3	532 14 06-75	ÂTTACHE DE L'ENSEMBLE DE L'AILE
6	873 80 06-00	ECROU FREIN H AVEC INSERT 3/8-16 UNC
7	532 12 41-81	RESSORT DE COMPRESSION DU SIÈGE
8	532 17 18-77	BOULON 5/16-18 UNC X 3/4
10	532 19 69-77	CUVETTE DU SIÈGE
21	532 17 18-52	BOULON À ÉPAULEMENT 5/16-18
37	873 80 05-00	ECROU FREIN 5/16-18 UNC
40	532 19 76-61	GUIDON
41	532 19 82-00	RESSORT DE COMPRESSION
43	874 76 06-12	BOULON 3/8-16 X 3/4
44	819 13 38-12	RONDELLE 13/32 X 2-3/8 X 12 JA.

REMARQUE: Toutes les dimensions de composant sont données en pouces E.-U. --1 pouce = 25,4 mm



seat-tex_6:SSL_2

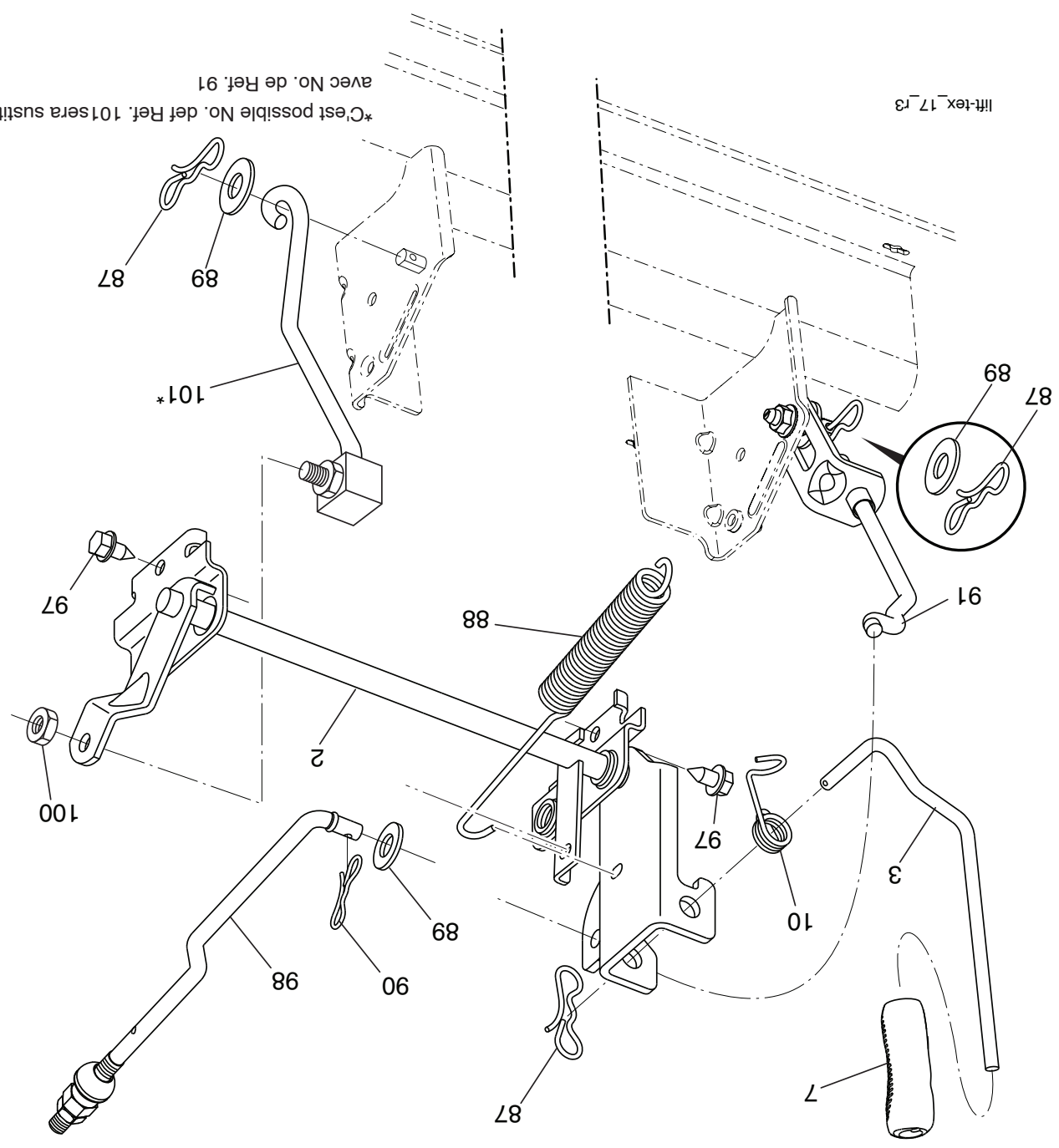
**TRACTEUR - NO. DE MODÈLE A21A42 (96046005400), NO. DE PRODUIT 960 46 00-54
LEVAGE DE TONDEUSE**

NO. DE D.OBJ. FAB.	NO. DE PIÈCE	DESCRIPTION
2	532 42 20-27	ENSEMBLE DE L'ARBRE DE
3	532 19 52-31	ENSEMBLE DE L'ARBRE DE LEVAGE C.D.
7	580 96 23-01	POIGNÉE CANNÉE DU LEVIER
10	532 19 63-14	RESSORT DE TORSION
87	532 19 42-09	GOUPILLE FENDUE 7/16
88	532 41 07-10	RESSORT DE RETENUE
89	819 19 19-12	RONDELLE
90	532 19 42-08	GOUPILLE FENDUE 5/16
91	532 19 51-81	RACCORD DE LEVAGE
97	817 00 06-12	VIS 3/8-16 X 3/4
98	532 19 52-70	RACCORD DE LEVAGE
100	873 93 06-00	ECROU FREIN CENTRAL 3/8-16 UNC
101	532 40 70-03	BIELLETTE

REMARQUE: Toutes les dimensions de composant sont données en pouces E.-U. --1 pouce = 25,4 mm.

TRACTEUR - NO. DE MODÈLE A21A42 (96046005400), NO. DE PRODUIT 960 46 00-54

LEVAGE DE TONDEUSE



*C'est possible No. def Ref. 101 sera substituè avec No. de Ref. 91

liff-lex_17_r3

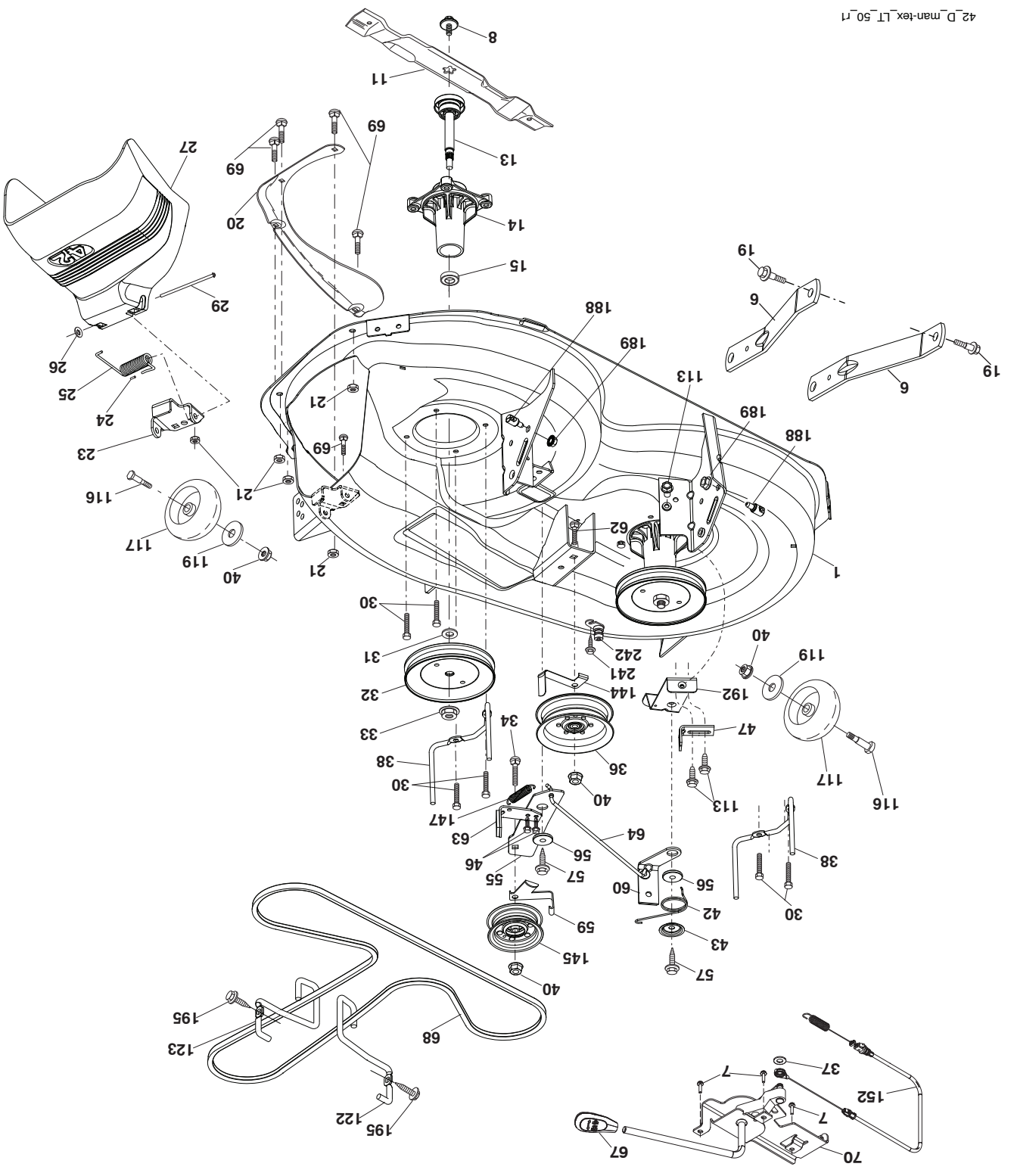
TRACTEUR - NO. DE MODÈLE A21A42 (96046005400), NO. DE PRODUIT 960 46 00-54

CARTER DE TONDEUSE

NO. NO. DE	NO. PIÈCE	DESCRIPTION	NO. NO. DE	NO. PIÈCE	DESCRIPTION
1	532 19 64-95	LOGEMENT DE TON-	532 19 94-77	63	BRAS DU FREIN
2	872 14 05-06	DEUSE À GAZON	532 19 97-90	64	COMBINAISON
6	532 19 51-86	ARMER LA SUSPENSION	21547741	67	POIGNÉE
7	532 41 63-58	VIS.#10X0.750	21547238	68	COURROIE TRAPÈZOÏ-
8	532 19 30-03	ENSAMBLE DE VER-	21546770	69	BOULON 5/16-18
	21546301	ROUILLE/RONDELLE	532 40 12-46	70	EMBRAYAGE
11	532 13 89-71	TONDEUSE À GAZON DE	817 00 05-10	113	BOULON 5/16-18
	21546095	LAME	532 12 48-42	116	BOULON "A" 2,41 "B" 1,66
13	532 19 28-72	L'ASSEMBLÉE D'ARBRE,	532 18 86-06	117	LA ROUE, LA JAUGE
	21546300	MANDRIN	21546267	117	RONDELLE 3/8 X 7/8 X 14
14	532 18 72-81	LE LOGEMENT, MANDRIN	21546424	122	ENSEMBLE DE LA GUIDE
15	532 11 04-85	LE MANDRIN, LA BALLE,	532 19 72-59	123	ENSEMBLE DE LA GUIDE
19	532 19 65-39	BOULON	21546426	123	ENSEMBLE DE LA GUIDE
20	532 15 97-70	CHICANE	21546489	144	ENSEMBLE DE LA GUIDE
21	873 68 05-00	ÉCROU	21546308	145	POULIE
23	532 19 25-57	SUPPORT	532 19 31-97	147	RÉSSORTE
24	532 10 53-04	LA CASQUETTE, LA	532 40 19-71	147	MANCHE
25	532 19 70-26	RÉSSORT, LA TORSION,	532 43 51-11	152	CÂBLE
26	532 11 04-52	FREIN ÉCROU	21546343	188	ATTACHE À TENON
27	532 40 30-04	PROTECTION LE DE-	21546789	189	SUPPORT
29	532 13 13-14-91	LA TRINGLE, LE GOND	532 19 72-60	192	VIS #10-32,5 3/8
30	532 17 39-84	VIS	21546128	241	RACCORD DE LAVAGE
31	532 18 76-90	LA RONDELLE, PLUS	532 41 64-05	242	DU PLATEAU DE COUPE
32	532 19 74-73	POULIE DE MANDRIN	21547347	242	CONNEXION
33	532 40 02-34	ÉCROU	532 19 28-70	242	ENSEMBLE DU MANDRIN
34	872 11 06-12	BOULON,3/8-16 X 1-1/2.	21546299	242	ENSEMBLE DU MANDRIN
36	532 19 73-79	POULIE	21547345	242	CONNEXION
37	819 19 13 13-16	RONDELLE13/32.X13/16.	21547128	242	VIS #10-32,5 3/8
38	532 43 25-20	ENSEMBLE DE LA GUIDE	21546180	242	VIS 3/8-16X3/4
40	873 90 06-00	ÉCROU 3/8-16	21546789	242	ATTACHE À TENON
42	532 19 84-10	RÉSSORTE	21547599	242	CÂBLE
43	532 19 72-56	RÉSSORTE	21546579	242	RÉSSORTE
46	532 13 77-29	VIS	21546308	242	POULIE
47	532 19 72-50	SUPPORT - CABLE	21546308	242	POULIE
55	532 43 71-10	BRAS DU GALET-TEN-	21546308	242	POULIE
56	532 19 90-92	ENTRETOISE	21546308	242	POULIE
57	817 00 06-16	VIS,3/8-16X1	21546308	242	POULIE
59	532 14 10-43	CHICANE	21546308	242	POULIE
60	532 19 72-61	BRAS DU FREIN,CG	21546308	242	POULIE
62	872 11 06-16	BOULON,3/8-16,UNC,X.2	21546308	242	POULIE

REMARQUE: Toutes les dimensions de composant sont données en pouces E.-U. -- 1 pouce = 25,4 mm.

TRACTEUR - NO. DE MODÈLE A21A42 (96046005400), NO. DE PRODUIT 960 46 00-54
 CARTER DE TONDEUSE



42_D_man-tex_LT_50_r1

TRACTEUR - NO. DE MODÈLE A21A42 (96046005400), NO. DE PRODUIT 960 46 00-54

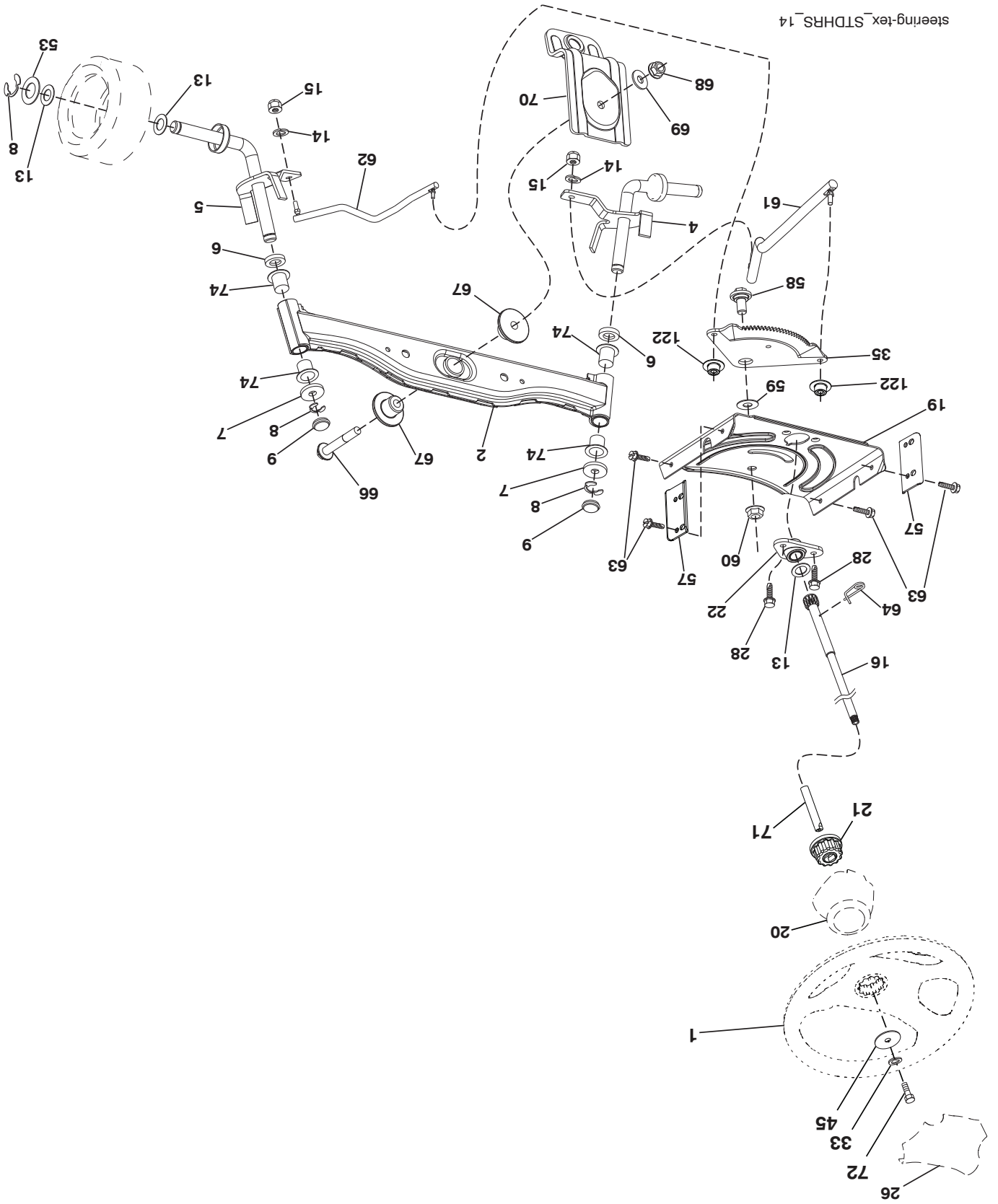
ENSEMBLE DE LA DIRECTION

NO. NO. DE	D.OBJ. FAB.	NO. PIÈCE	ARIENS	DESCRIPTION
1	532 42 45-43	21547744		VOLANT DE DIRECTION
2	532 41 81-68	21546681		ESSIEU
4	532 40 30-87	21546582		ENSEMBLE DE LA BROCHE C.G.
5	532 40 30-88	21546583		ENSEMBLE DE LA BROCHE C.D.
6	532 12 49-31	21547540		PALIER DE BUTÉE DURCI
7	532 12 17-48	21546066		RONDELLE 25/32 X 1-5/8 X 16 JA.
8	812 00 00-29	21546053		RONDELLE CLIP N°T5304-75
9	532 12 12-32	21546064		CHAPEAU DE BROCHE
13	532 12 17-49	21546067		RONDELLE 25/32 X 1-1/4 X 16 JA.
14	810 04 06-00	21546003		RONDELLE FREIN 3/8
15	873 54 06-00	21546782		ÉCROU FREIN 3/8-24 UNF
16	532 42 93-74	21547227		ARBRE DE DIRECTION
19	532 19 47-29	21546334		ARBRE DE PLAQUE
20	532 40 97-63	21547850		MANCHON
21	532 18 67-37	21546234		ADAPTATEUR DU VOLANT DE DIRECTION
22	532 42 05-37	21547007		SUPPORT DE DIRECTION INFÉRIEUR
26	532 42 46-91	21547568		INSERT DE CHAPEAU DU VOLANT DE DIRECTION
28	817 00 06-12	21546181		VIS 3/8-16 X 3/4
33	810 04 05-00	21546002		RONDELLE DE BLOCAGE DE 5/16
35	532 19 47-32	21546335		SECTEUR DENTE
45	819 11 38-12	21546280		RONDELLE 9/16 X 2-3/8 X 12 JA.
53	532 18 89-67	21546272		RONDELLE .793 X 1.637 X .060
57	532 40 74-65	21546623		SUPPORT
58	532 19 47-47	21546339		BOULON À ÉPUILEMENT
59	532 19 47-48	21546340		RONDELLE
60	873 97 10-00	21546797		ÉCROU FREIN À COLLET 5/8-11
61	532 19 47-40	21546337		BARRE DE DIRECTION C.G.
62	532 19 47-41	21546338		BARRE DE DIRECTION C.D.
63	817 00 05-12	21546180		VIS 5/16-18 X 3/4
64	532 19 98-49	21546512		COLLIER DE RETENUE
66	871 02 07-48	21546754		BOULON H 7/16-14 X 3
67	532 19 47-37	21546336		DOUILLE
68	873 90 07-00	21546791		ÉCROU FREIN À COLLET 7/16-14 CAT. 5
69	532 19 91-62	21546483		RONDELLE 1.5 X .505 X .118
70	532 19 61-97	21546386		SUPPORT
71	532 19 07-52	21547131		RALLONGE DE DIRECTION
72	532 42 89-82	21547139		BOULON 5/16-18 UNC X 4
74	532 12 49-37	21547541		PALIER
122	532 44 49-62	21547948		CHAPEAU

REMARQUE: Toutes les dimensions de composant sont données en pouces E.-U. -- 1 pouce = 25,4 mm

TRACTEUR - NO. DE MODELE A21A42 (96046005400), NO. DE PRODUIT 960 46 00-54

ENSEMBLE DE LA DIRECTION



TRACTEUR - NO. DE MODÈLE A21A42 (96046005400), NO. DE PRODUIT 960 46 00-54 MOTEUR

NO. NO. DE D'OBJ. FAB.	NO. PIÈCE ARIENS	DESCRIPTION
1	---	MOTEUR B&S-NO. DE MODÈLE 331977-0004-G1 (581753301) (COM- MANDEZ LES PIÈCES DU FABRICANT DU MOTEUR.)
2	532 18 86-55	SILENCIEUX ENSEMBLE DE LA GUIDE COURROIE DU MOTEUR
9	532 19 43-20	PÔULIE
12	532 40 54-71	RÉSEROIR D'ESSENCE
15	532 43 30-03	CHÂPEAU
18	581 17 61-01	COMMANDE DES GAZ/STARTER
20	532 18 38-97	VIS #10 X 0,750
21	532 41 63-58	CONDUITE D'ESSENCE
28	532 40 11-37	JEU DE PARE - ETINCELLES
29	532 13 71-80	BRIDE DE SERRAGE DE TUYAU
37	532 12 34-87	RONDELLE FREIN 7/16
42	810 04 07-00	ÉCROU H 1/4-20 UNC
45	873 51 04-00	GARANTURE DE SILENCIEUX
69	532 16 52-91	VIS 5/16-18 X .75
79	532 19 23-34	TUYAU D'HUILE
81	532 14 84-56	SOUPAPE
82	532 42 82-87	VIS 3/8-16 X 1-1/4
84	817 06 06-20	BOULON H 7/16-20 X 4 X CAT. 5-1.5
85	532 17 39-37	BOULON 5/16-18 UNC X 3/4 AVEC SEMS
87	532 17 18-77	VIS 3/8-16 X 1
90	817 00 06-16	TUYAU D'ÉCHAPPEMENT
94	532 40 54-50	RONDELLE 9/32 X 7/8 X 16 JA
96	819 09 14-16	SCREW/HEXWSH.THDROL.1/4-20X3/4
97	817 67 04-12	LIGNE DE PURGE
111	532 41 41-19	

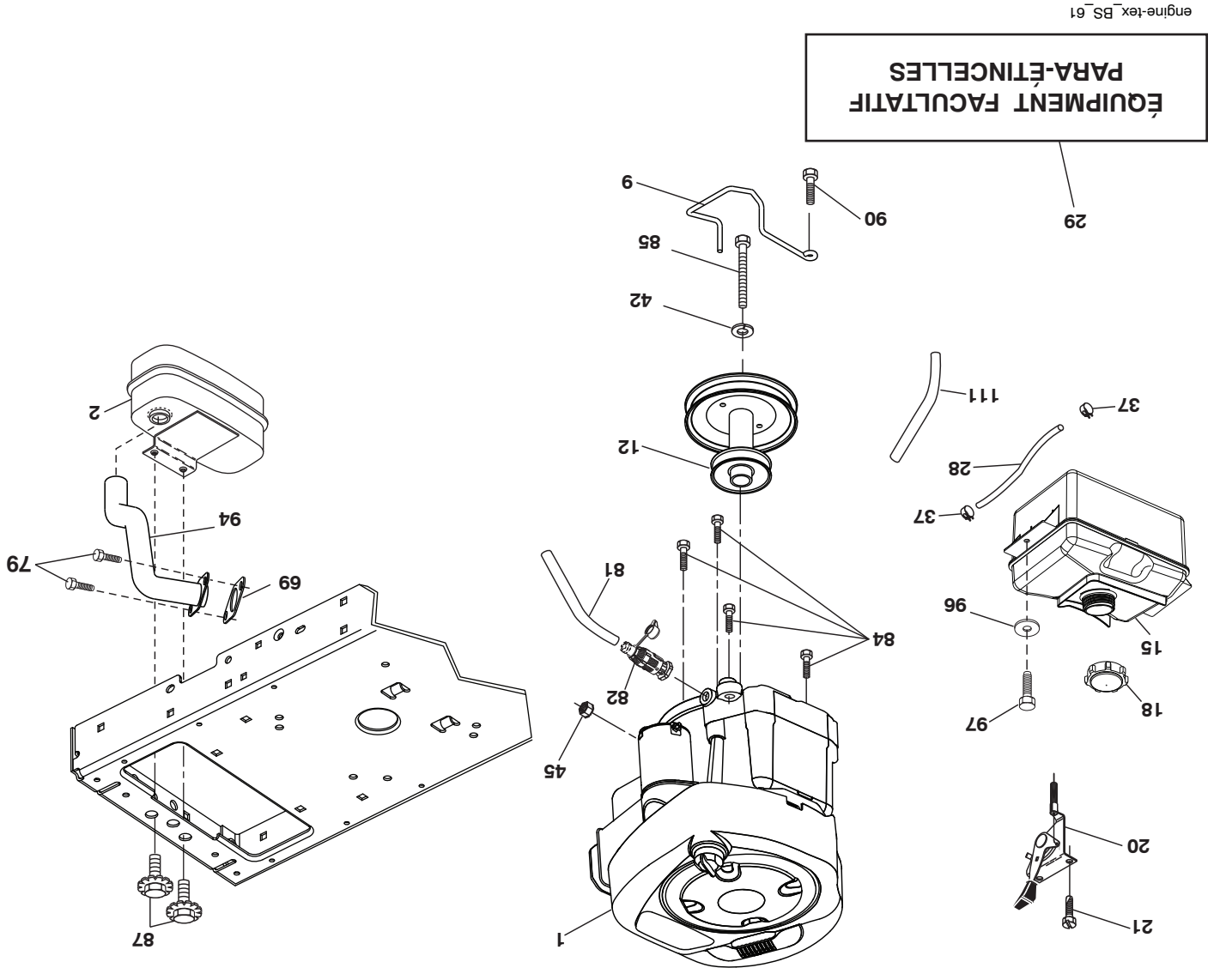
REMARQUE: Toutes les dimensions de composant sont données en pouce d'E.-U. - - 1 pouce = 25,4 mm.

Pour des pièces de service et de rechange de moteur, réclamez le numéro de téléphone libre pour votre fabricant de moteur énuméré ci-dessous:

Briggs & Stratton 1-800-233-3723

Informations concernant la puissance théorique du moteur

La puissance brute pour chaque Modèle de moteur à essence est indiquée conformément au code J1940 (procédure de calcul de la puissance et du couple des petits moteurs) de la SAE (Society of Automotive Engineers) et les performances théoriques ont été obtenues et corrigées selon SAE J1995 (révision 2002-05). Les valeurs de couple sont calculées sur la base de 3060tr/min et celles de puissance sur la base de 3600tr/min. La puissance brute réelle du moteur peut être plus faible notamment à cause des conditions de fonctionnement et des variations d'un moteur à l'autre. Compte tenu de la grande variété de machines sur lesquelles nos moteurs sont utilisés et du nombre de problèmes environnementaux applicables au fonctionnement des équipements, il se peut que le moteur à essence ne développe sa puissance théorique une fois qu'il est monté sur une machine particulière (puissance nette ou réelle « site»). Cette différence s'explique par un grand nombre de facteurs, tels que (liste non limitative): accessoires (filtre à air, échappement, admission, refroidissement, carburateur, pompe à essence, etc.); limites d'utilisation, conditions ambiantes d'utilisation (température, humidité, altitude) et variations d'un moteur à l'autre. Pour des raisons de fabrication et de capacité limitées, Briggs & Stratton est susceptible de remplacer ce Modèle par un moteur plus puissant.



engine-tex_BS_61

TRACTEUR - NO. DE MODELE A21A42 (96046005400), NO. DE PRODUIT 960 46 00-54

ENTRAÎNEMENT

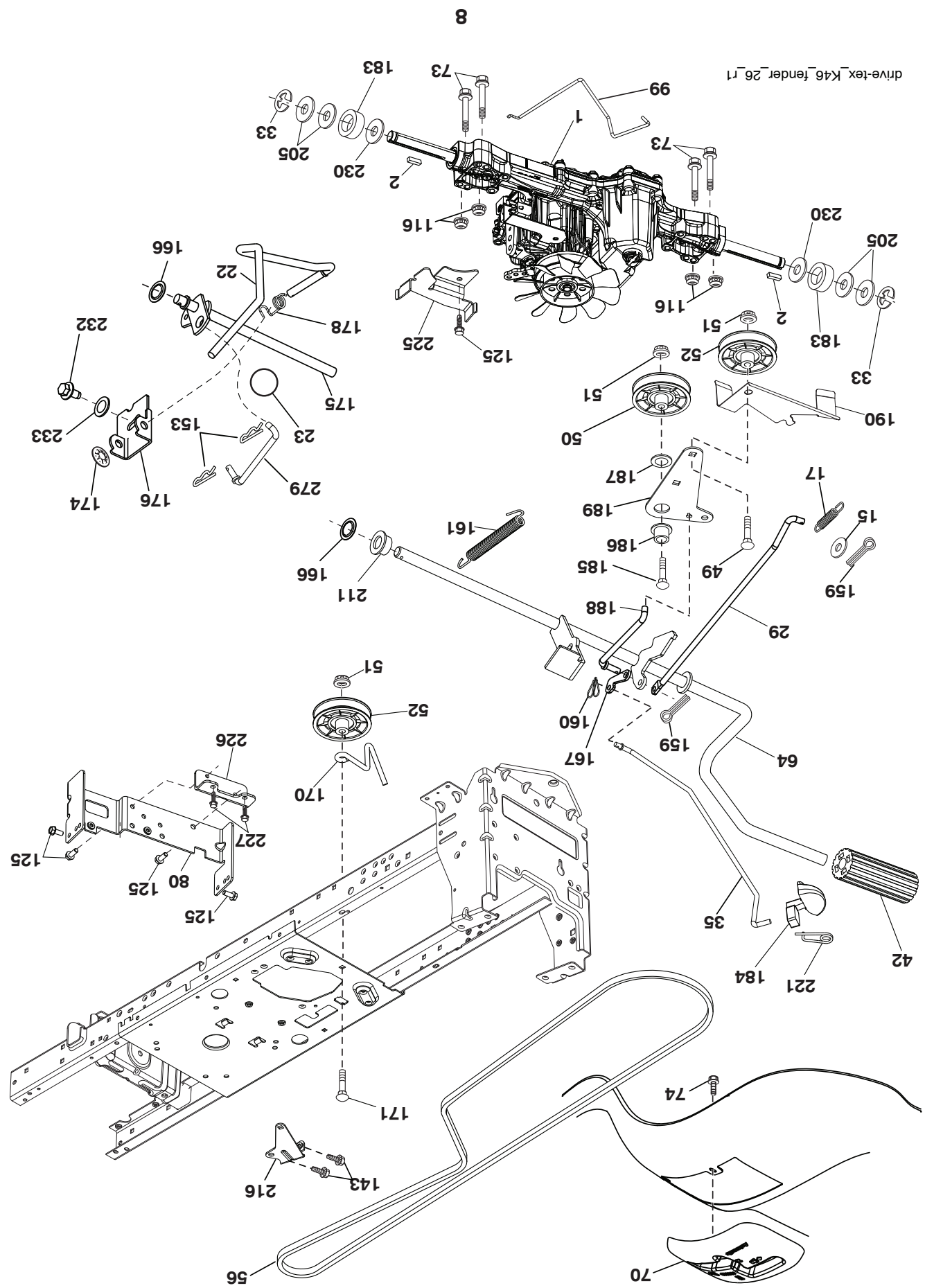
NO. DE D.OBJ. FAB.	NO. PIÈCE ARIENS	DESCRIPTION
1	---	TRANSMISSION, TUFFTORQ K46BA (448348) (PIÈCES D'ORDRE DE FABRICANT DE TRANSAXLE.)

2	21546070	CLE.2.0 X .1845/.1865
15	819 13 13-16	RONDELLE 13/32 X 13/16 X 16 JA.
17	532 41 36-78	RESSORT
22	532 19 76-60	TIGE
23	532 10 69-33	BOUTON LUXUEUX 1/2-13 UNC
29	532 40 38-06	TIGE DU FREIN
33	812 00 00-01	BAGUE EN E
35	532 40 10-31	TIGE DU FREIN DE STATIONNEMENT
42	532 12 48-72	COUVERTURE DE LA PEDALE
49	872 11 06-14	BOULON
50	532 19 43-27	POULIE DU GALET-TENDEUR
51	873 90 06-00	ÉCROU FREIN 3/8-16
52	532 19 43-26	GALET-TENDEUR
56	532 13 09-69	COURROIE TRAPEZOIDALE
64	532 19 62-00	ENSEMBLE DE L'ARBRE
70	532 41 13-29	PANNEAU DU LEVIER DE CHANGEMENT
73	874 49 05-40	BOULON H 5/16-18 CAT5
74	532 14 24-32	VIS 1/4 X 1/2
80	532 44 06-19	COUPLE DE COURROIE
99	532 41 57-42	TIGE À RESSORT DÉRIVATION
116	873 90 05-00	ÉCROU FREIN H 5/16-18
125	817 00 05-12	VIS 5/16-18 X 3/4
143	817 49 05-08	VIS 5/16-18 X 1/2
153	532 12 47-88	RESSORT D'ARRÊTOIR
159	876 02 04-12	GOUVILLE FENDUE 1/8 X 3/4
160	532 16 94-84	COLLIER DE RETENUE
161	532 10 57-09	RESSORT DE RAPPEL D'EMBRAYAGE
166	532 42 91-64	POUSSEZ L'ÉCROU .625
167	532 40 52-57	LOQUET
170	532 19 43-22	GUIDE-COURROIE
171	872 11 06-16	BOULON
174	532 19 72-89	ÉCROU.500
175	532 40 62-08	ARBRE
176	532 19 62-14	AXE DE CHAPE
178	532 19 74-56	RESSORT.GT.2006
183	532 13 70-57	ENTRETOISE FENDUE
184	532 44 14-07	POIGNÉE DE FREIN DE STATIONNEMENT
185	872 11 06-22	BOULON
186	532 19 43-21	RESSORT DE RETENUE
187	819 13 32-10	RONDELLE
188	532 19 43-23	RACCORD D'EMBRAYAGE
189	532 19 43-17	LEVIER COUDE
190	532 19 43-18	COMMANDE AU SOL DE BALANCIER DE GARDE
205	532 12 17-48	RONDELLE.25/32 X 1-5/8 X 16 JA.
211	532 19 62-12	COUSSINET
216	532 19 61-31	SUPPORT
221	532 40 31-87	RESSORT D'ARRÊTOIR
225	532 40 33-19	GUIDE-COURROIE DU TRANSMISSION
226	532 40 15-64	SUPPORT POULIE DU GALET-TENDEUR
227	817 49 05-12	VIS.5/16-18 X 3/4
230	532 18 89-67	RONDELLE.793 X 1.637 X 060
232	874 78 07-16	BOULON.7/16-14X1 CAT 5
233	532 40 52-96	RONDELLE
279	532 40 62-07	RACCORD

REMARQUE: Toutes les dimensions de composant sont données en pouces E.-U. -- 1 pouce = 25,4 mm.

TRACTEUR - NO. DE MODELE A21A42 (96046005400), NO. DE PRODUIT 960 46 00-54

ENTRAINMENT



drive-tex_K46_fender_26_r1

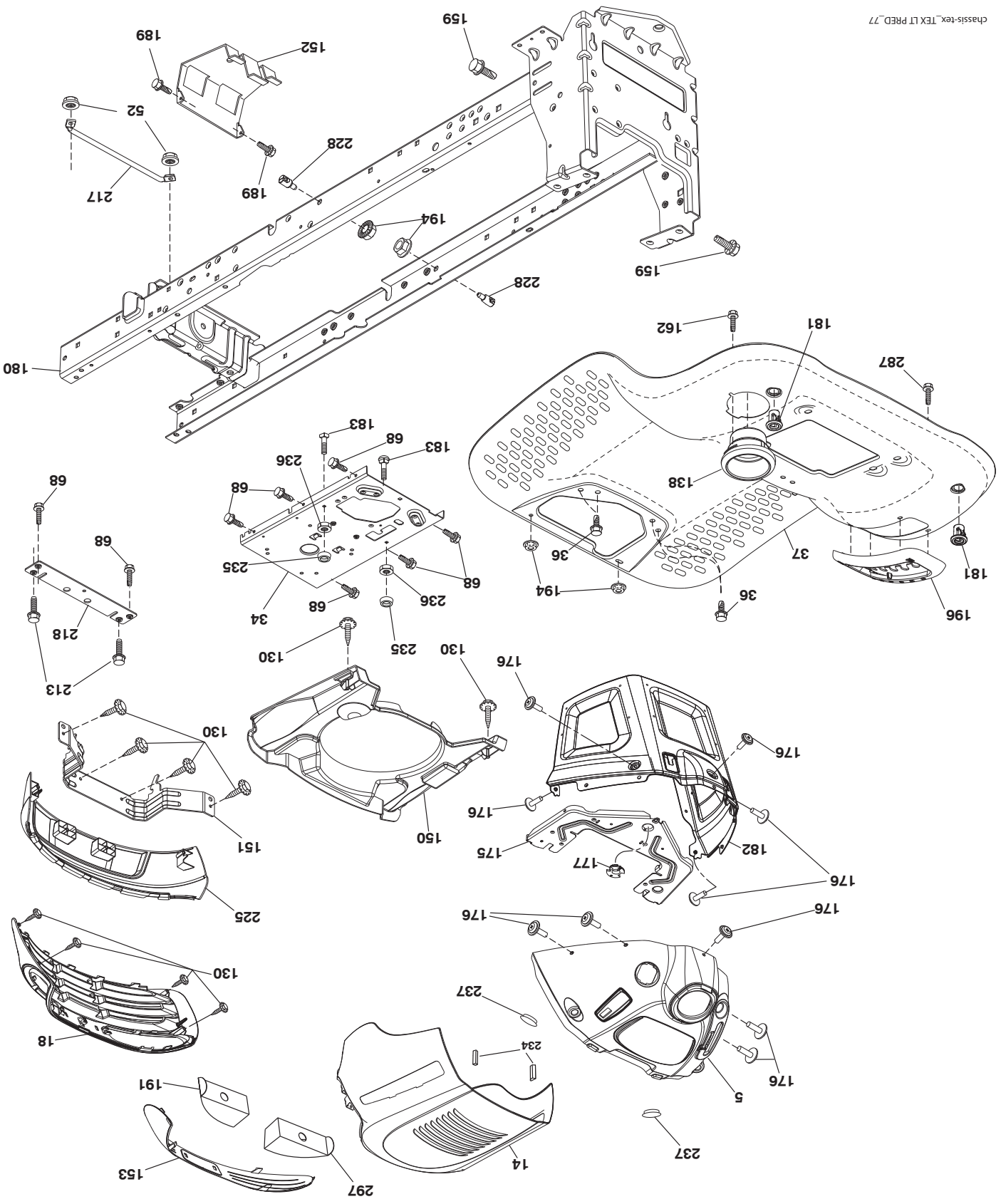
TRACTEUR - NO. DE MODÈLE A21A42 (96046005400), NO. DE PRODUIT 960 46 00-54

CHÂSSIS/ENCEINTES

NO. PIÈCE	NO. DE	D.OBJ. FAB.	DESCRIPTION
5	532 42	57-72	TABEAU DE BORD
14	532 44	17-89	CAPOT
18	532 44	17-83	GRIL
34	580 91	08-01	PLAQUETTE DE MOTEUR
36	817 06	05-12	VIS 5/16-18 X 3/4
37	532 44	12-66	AMORTISSEUR
52	873 68	05-00	ECROU 5/16-18
68	817 49	05-08	VIS 5/16-18 X 1/2
130	532 41	63-58	VIS #10 X 0.750
138	532 40	97-30	GODET
150	532 40	83-10	CAPOT DE LA CHALEUR DE CONDUIT
151	532 18	75-68	SUPPORT
152	532 19	95-35	BOUCLIER DE DÉBRIS
153	532 40	97-40	PORTE-PROJECTEUR
159	817 00	06-12	VIS.3/8-16 X 3/4 BL
162	532 14	24-32	VIS H 1/4 X 1/2 UNC
175	532 19	94-72	TRAVERSE
176	532 40	07-76	VIS 10-24 X 5/8
177	532 19	52-28	DIRECTION DE DOUILLE
180	532 19	54-57	CHÂSSIS
181	532 40	47-96	DOUILLE
182	532 40	71-76	LE TIRRET S'ABAISSENT
183	874 52	05-20	BOULON 5/16-18 X 1-1/4
189	817 00	05-12	VIS 5/16-18 X 3/4
191	532 41	65-02	INSERT DU REFLECTEUR CD
194	873 90	05-00	ECROU 5/16-18
196	532 43	95-30	ASSEMBLEE D'ASCENSEUR DE PLATE-FORME
213	874 76	05-12	BOULON 5/16-18 X 3/4
217	532 40	91-67	TIGE
218	532 19	63-95	SUPPORT D'ARRÊT
225	532 43	94-64	PARE-CHOCS
228	532 19	51-61	ATTACHE DE GOUJON
234	532 40	47-42	COUSSIN
235	532 40	61-29	PARE-CHOCS PLUS SPATIAL
236	873 93	05-00	ECROU 5/16-18 UNC
237	532 40	37-04	BOUCHON
287	817 60	04-06	VIS.1/4-20 X 3/8
297	532 40	18-27	INSERT DU REFLECTEUR CG

REMARQUE: Toutes les dimensions de composant sont données en pouces E.-U. -- 1 pouce = 25,4 mm.

TRACTEUR - NO. DE MODÈLE A21A42 (96046005400), NO. DE PRODUIT 960 46 00-54
CHÂSSIS/ENCEINTES



chassis-tex_TEX LT PRD_77

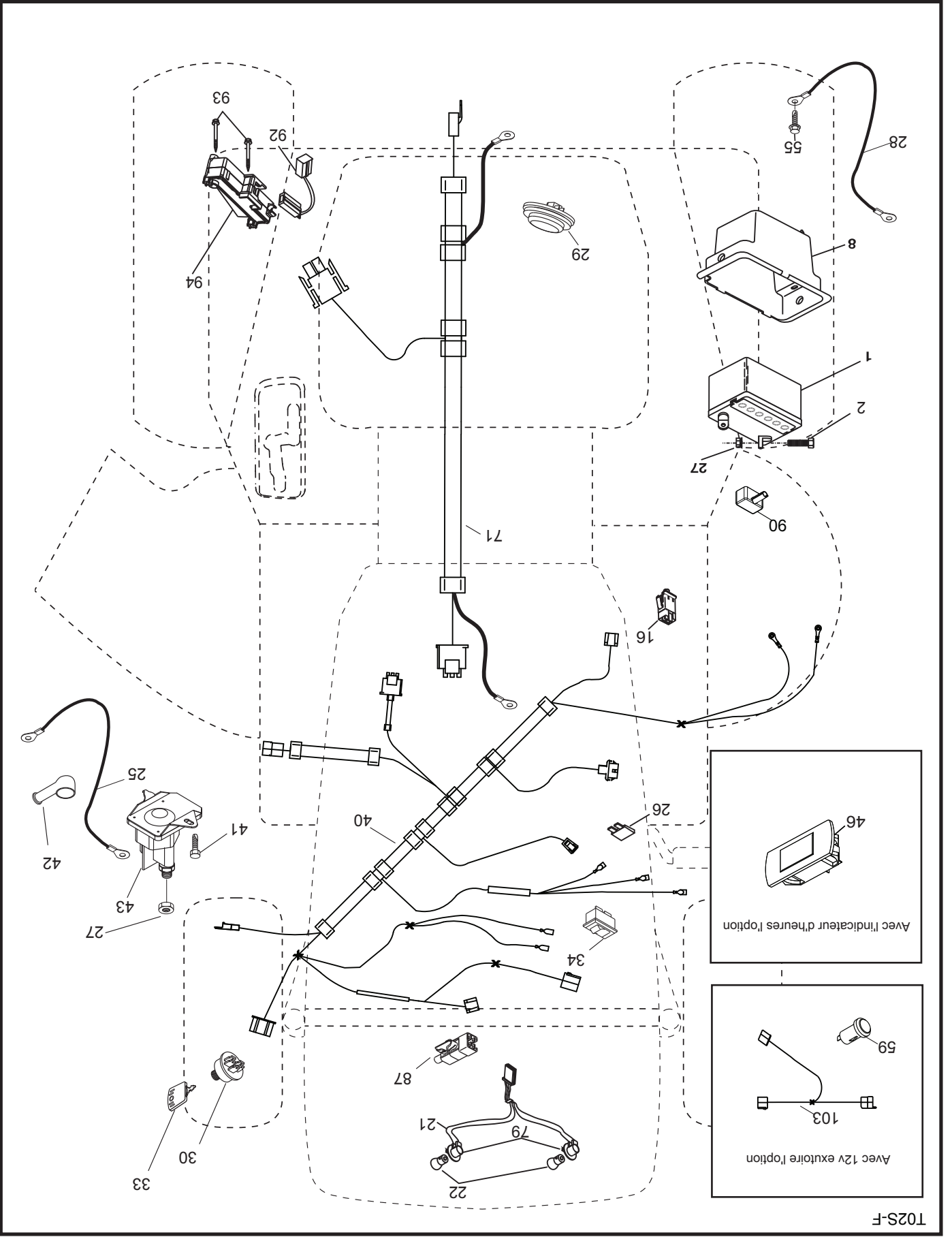
NO. DE NO. DE D.OBJ. FAB.	NO. PIÈCE ARIENS	DESCRIPTION
1	532 16 34-65	BATTERIE
2	874 76 04-12	BOULON H 1/4-20 UNC X 3/4
8	532 19 32-28	BAC DE BATTERIE
16	532 17 61-38	INTERRUPTEUR DE VERROUIL- LAGE PRESSE
21	532 40 02-52	HARNAIS DES PRISES DE COU- RANT DES PHARES
22	532 00 41-52	AMPOULE N°1156
25	532 41 28-95	CÂBLE DE BATTERIE DE 6 JA. AVEC UN FIL DE 16 PO.-ROUGE
26	532 17 51-58	FUSIBLE
27	873 51 04-00	ÉCROU H 1/4-20 UNC
28	532 19 88-85	CÂBLE DE MASSE 22"
29	532 40 15-45	INTERRUPTEUR
30	532 19 33-50	CONTACTEUR D'ALLUMAGE
33	532 41 19-33	CLE/CHAÎNE
34	532 11 07-12	L'INTERRUPTEUR DES PHARES
40	532 40 10-98	HARNAIS
41	817 72 04-08	VIS 1/4-20 X 1/2
42	532 13 15-63	COUVERTURE DE BORNE
43	532 19 25-07	SOLÉNOÏDE
55	817 06 05-12	VIS 5/16-18 X 3/4
71	532 40 04-49	HARNAIS DES CÂBLES
79	532 17 52-42	DOUILLE ENSEMBLE AMPOULE D'ALLUMAGE
87	532 19 78-02	21546457 TORSION SERRURE
90	532 43 53-95	21547570 COUVERTURE
92	532 19 66-15	21546412 HARNAIS NATTE ROS
93	532 19 25-40	21546295 VIS 10-14 X 2.0
94	532 19 18-34	21546849 MODULE ARRIÈRE ROS

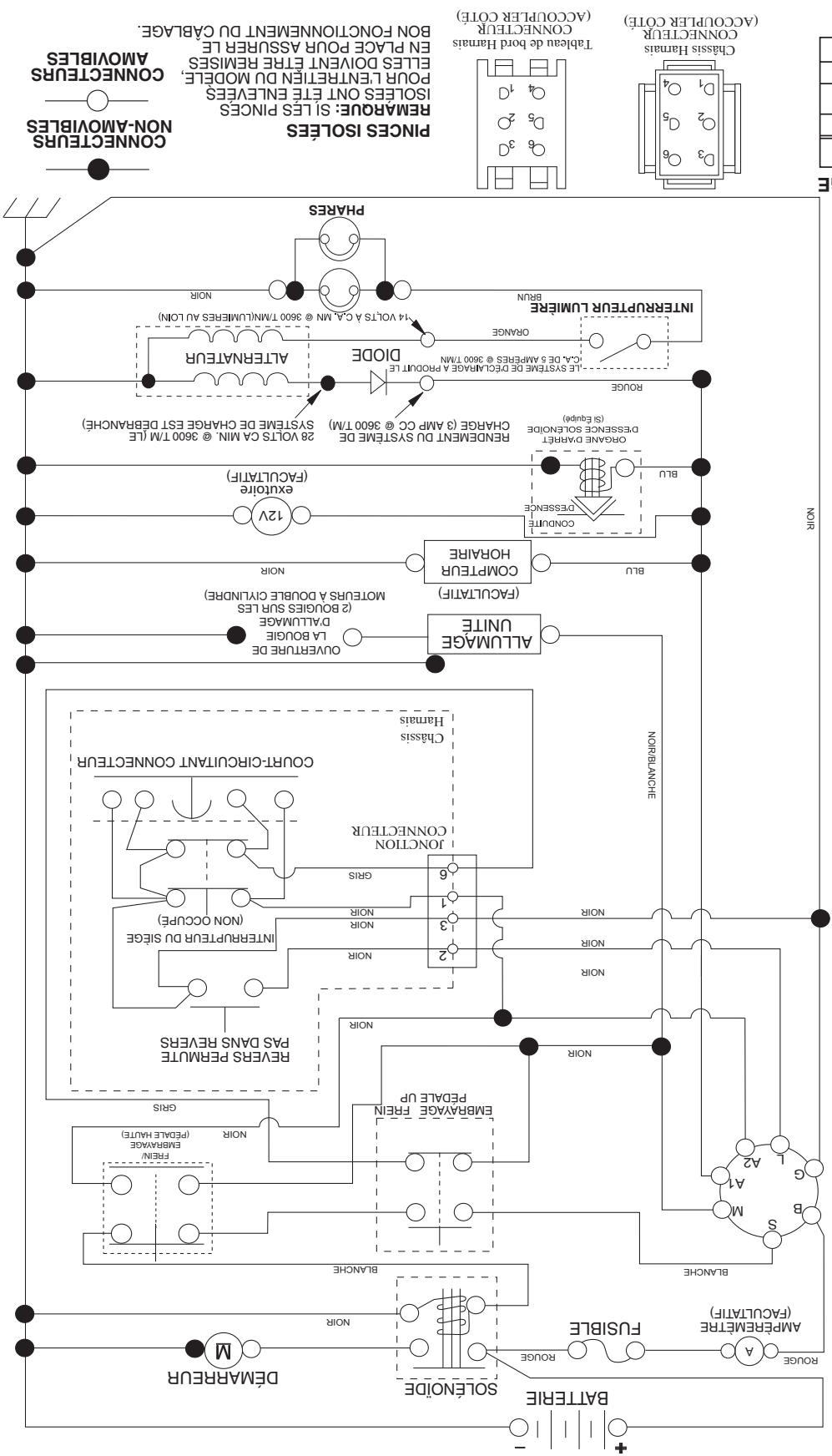
REMARQUE: Toutes les dimensions de composant sont don-
nées en pouces E.-U. --1 pouce = 25,4 mm

TRACTEUR - NO. DE MODÈLE A21A42 (96046005400), NO. DE PRODUIT 960 46 00-54

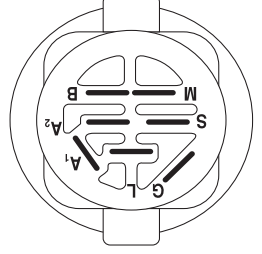
ÉLECTRIQUE

T02S-F





CONTACTEUR D'ALLUMAGE



REMARQUE
 VOTRE TRACTEUR EST ÉQUIPÉ D'UN SYSTÈME D'ALTERNATEUR SPÉCIAL AU LIEU D'ÊTRE BRANÇÉS SUR LA BATTERIE. LES PHARES DISPOSENT DE LEUR PROPRE SOURCE D'ÉNERGIE ÉLECTRIQUE. DONC LA BRILLANCE DES PHARES CHANGERA EN FONCTION DE LA VITESSE DU MOTEUR. AU RALENTI, LA BRILLANCE DES PHARES BAISSERA. QUAND LE MOTEUR EST ACCELERÉ, LA BRILLANCE ATTEINDRA SON MAXIMUM.

NOIR

BLANCHE

ROUGE

NOIR/BLANCHE

GRIS

NOIR

NOIR

NOIR

NOIR

NOIR

NOIR

NOIR

NOIR

NOIR

NOIR

NOIR

NOIR

NOIR

NOIR

NOIR

NOIR

NOIR

NOIR

NOIR

NOIR

NOIR

NOIR

NOIR

NOIR

NOIR

NOIR

NOIR

NOIR

NOIR

NOIR

NOIR

NOIR

NOIR

NOIR

NOIR

NOIR

NOIR

NOIR

NOIR

NOIR

NOIR

NOIR

NOIR

NOIR

NOIR

NOIR

NOIR

NOIR

NOIR

NOIR

NOIR

NOIR

NOIR

NOIR

NOIR

NOIR

NOIR

NOIR

NOIR

NOIR

NOIR

NOIR

NOIR

NOIR

NOIR

NOIR

NOIR

NOIR

NOIR

NOIR

NOIR

NOIR

NOIR

NOIR

NOIR

NOIR

NOIR

NOIR

NOIR

NOIR

NOIR

NOIR

NOIR

NOIR

NOIR

NOIR

NOIR

NOIR

NOIR

NOIR

NOIR

NOIR

NOIR

NOIR

NOIR

NOIR

NOIR

NOIR

NOIR

NOIR

NOIR

NOIR

NOIR

NOIR

NOIR

NOIR

NOIR

NOIR

NOIR

NOIR

NOIR

NOIR

NOIR

NOIR

NOIR

NOIR

NOIR

NOIR

NOIR

NOIR

NOIR

NOIR

NOIR

NOIR

NOIR

NOIR

NOIR

NOIR

NOIR

NOIR

NOIR

NOIR

NOIR

NOIR

NOIR

NOIR

NOIR

NOIR

NOIR

NOIR

NOIR

NOIR

NOIR

NOIR

NOIR

NOIR

NOIR

NOIR

NOIR

NOIR

NOIR

NOIR

NOIR

NOIR

NOIR

NOIR

NOIR

NOIR

NOIR

NOIR

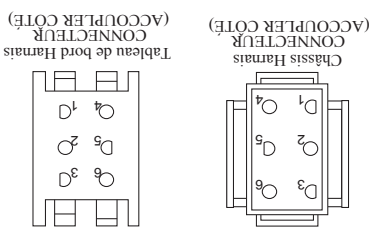
NOIR

POSITION	CIRCUIT "FAITS"
ARRÊT	M+G+A1
MARCHE/ALLUMAGE	B+A1
MARCHE	B+A1
DÉMARRAGE	B+S+A1

PINCES ISOLÉES
 REMARQUE: SI LES PINCES ISOLÉES ONT ÉTÉ ENLEVÉES POUR L'ENTRETIEN DU MODÈLE, ELLES DOIVENT ÊTRE REMISES EN PLACE POUR ASSURER LE BON FONCTIONNEMENT DU CÂBLAGE.

CONNECTEURS AMOVIBLES

CONNECTEURS NON-AMOVIBLES



COMMENT UTILISER CE MANUEL

Ce manuel a été dessiné pour fournir le client avec les moyens d'identification des pièces de détachées du tracteur quand il/elle a besoin de commander les pièces de rechange. Les illustrations ne peuvent pas représenter exactement le modèle que vous avez acheté. N'utilisez pas ce manuel comme un guide dans le montage et/ou démontage de votre tracteur. La visserie montrée est plus grande pour faciliter l'identification.

Chaque tracteur a un numéro de modèle particulier.

Le numéro de modèle du produit se trouvera sur l'aile, dessous le siège.

Lorsque vous commandez des pièces de rechange, donnez toujours les renseignements suivants:

- Produit - "TRACTEUR"
- NUMÉRO DU MODÈLE - "A21A42 (96046005400)"
- Numéro de la Pièce
- Description de la Pièce

TABLE DE MATIÈRES

SCHEMA.....	3
ELECTRIQUE.....	4-5
CHÂSSIS/ENCEINTES.....	6-7
ENTRAÎNEMENT.....	8-9
MOTEUR.....	10-11
ENSEMBLE DE LA DIRECTION.....	12-13
CARTER DE TONDEUSE.....	14-15
LEVAGE DE LA TONDEUSE.....	16-17
ENSEMBLE DU SIÈGE.....	18-19
DECALCOMANIES.....	20-21
L'ENTRETIEN ET LES PIÈCES DE RECHANGE.....	22



TRACTEUR AUTOMATIQUE

Manuel des Pièces

Modèles
A21A42 42" Tracteur Automatique



Free Manuals Download Website

<http://myh66.com>

<http://usermanuals.us>

<http://www.somanuals.com>

<http://www.4manuals.cc>

<http://www.manual-lib.com>

<http://www.404manual.com>

<http://www.luxmanual.com>

<http://aubethermostatmanual.com>

Golf course search by state

<http://golfingnear.com>

Email search by domain

<http://emailbydomain.com>

Auto manuals search

<http://auto.somanuals.com>

TV manuals search

<http://tv.somanuals.com>