

Operator's Manual

ST 111

**Gasoline containing up to 10% ethanol (E10) is acceptable for use in this machine.
The use of any gasoline exceeding 10% ethanol (E10) will void the product warranty.**

115 68 68-25 Rev. 5



Please read the owner's manual carefully and make sure you understand the instructions before using the machine.



English


CONGRATULATIONS on your purchase of a new snow thrower. It has been designed, engineered and manufactured to give best possible dependability and performance.


Should you experience any problem you cannot easily remedy, please contact your nearest authorized service center. We have competent, well-trained technicians and the proper tools to service or repair this unit.


Please read and retain this manual. The instructions will enable you to assemble and maintain your snow thrower properly. Always observe the "SAFETY RULES".

Safe Operation Practices for Walk-Behind Snow Throwers


IMPORTANT: This snow thrower is capable of amputating hands and feet and throwing objects. Failure to observe the following safety instructions could result in serious injury.




Look for this symbol  to point out important safety precautions. It means CAUTION!!! BECOME ALERT!!! YOUR SAFETY IS INVOLVED.





WARNING: Always disconnect spark plug wire and place it where it cannot contact plug in order to prevent accidental starting when setting up, transporting, adjusting or making repairs.




WARNING: This snow thrower is for use on sidewalks, driveways and other ground level surfaces. Caution should be exercised while using on sloping surfaces. Do not use snow thrower on surfaces above ground level such as roofs of residences, garages, porches or other such structures or buildings.



WARNING: Snow throwers have exposed rotating parts, which can cause severe injury from contact, or from material thrown from the discharge chute. Keep the area of operation clear of all persons, small children and pets at all times including startup.

CAUTION: Muffler and other engine parts become extremely hot during operation and remain hot after engine has stopped. To avoid severe burns on contact, stay away from these areas.



WARNING: Engine exhaust, some of its constituents, and certain vehicle components contain or emit chemicals known to the State of California to cause cancer and birth defects or other reproductive harm.

Training

1. Read, understand and follow all instructions on the machine and in the manual(s) before operating this unit. Be thoroughly familiar with the controls and the proper use of the equipment. Know how to stop the unit and disengage the controls quickly.
2. Never allow children to operate the equipment. Never allow adults to operate the equipment without proper instruction.
3. Keep the area of operation clear of all persons, particularly small children.
4. Exercise caution to avoid slipping or falling, especially when operating the snow thrower in reverse.

Preparation

1. Thoroughly inspect the area where the equipment is to be used and remove all doormats, sleds, boards, wires, and other foreign objects.
2. Ensure the control bar is released before starting the engine.
3. Do not operate the equipment without wearing adequate winter garments. Avoid loose fitting clothing that can get caught in moving parts. Wear footwear that will improve footing on slippery surfaces.
4. Handle fuel with care; it is highly flammable
 - (a) Use an approved fuel container.
 - (b) Never add fuel to a running engine or hot engine.

- (c) Fill fuel tank outdoors with extreme care. Never fill fuel tank indoors.
 - (d) Never fill containers inside a vehicle or on a truck or trailer bed with a plastic liner. Always place containers on the ground, away from your vehicle, before filling.
 - (e) When practical, remove gas-powered equipment from the truck or trailer and refuel it on the ground. If this is not possible, then refuel such equipment on a trailer with a portable container, rather than from a gasoline dispenser nozzle.
 - (f) Keep the nozzle in contact with the rim of the fuel tank or container opening at all times, until refueling is complete. Do not use a nozzle lock-open device.
 - (g) Replace gasoline cap securely and wipe up spilled fuel.
 - (h) If fuel is spilled on clothing, change clothing immediately.
5. Use extension cords and receptacles as specified by the manufacturer for all units with electric drive motors or electric starting motors.
 6. Never attempt to make any adjustments while the engine (motor) is running (except when specifically recommended by manufacturer).
 7. Always wear safety glasses or eye shields during operation or while performing an adjustment or repair to protect eyes from foreign objects that may be thrown from the machine.
 8. Use ear protectors to avoid damage to hearing.

Operation

1. Do not put hands or feet near or under rotating parts. Keep clear of the discharge opening at all times.
2. Exercise extreme caution when operating on or crossing gravel drives, walks, or roads. Stay alert for hidden hazards or traffic.
3. After striking a foreign object, stop the engine (motor), disconnect the cord on electric motors, thoroughly inspect the snow thrower for any damage, and repair the damage before restarting and operating the snow thrower. Remove key.
4. If the unit should start to vibrate abnormally, stop the engine (motor) and check immediately for the cause. Vibration is generally a warning of trouble.
5. Stop the engine (motor) whenever you leave the operating position, before unclogging the auger housing or discharge chute, and when making any repairs, adjustments or inspections.
6. When cleaning, repairing or inspecting the snow thrower, stop the engine and make certain the auger blades and all moving parts have stopped. Remove key.
7. Do not run the engine indoors, except when starting the engine and for transporting the snow thrower in or out of the building. Open the outside doors; exhaust fumes are dangerous.
8. Exercise extreme caution when operating on slopes.
9. Never operate the snow thrower without proper guards, and other safety protective devices in place and working.
10. Never direct the discharge toward people or areas where property damage can occur. Keep children and others away.
11. Do not overload the machine capacity by attempting to clear snow at too fast a rate.
12. Never operate the machine at high transport speeds on slippery surfaces. Look behind and use care when operating in reverse.
13. Disengage power to the auger blades when snow thrower is transported or not in use.
14. Use only attachments and accessories approved by the manufacturer of the snow thrower.
15. Never operate the snow thrower without good visibility or light. Always be sure of your footing, and keep a firm hold on the handles. Walk; never run.
16. Never touch a hot engine or muffler.

Clearing a Clogged Discharge Chute



Hand contact with the rotating auger blades inside the discharge chute is the most common cause of injury associated with snow throwers. Never use your hand to clean out the discharge chute.

To clear the chute:

1. SHUT THE ENGINE OFF!
2. Wait 10 seconds to be sure the auger blades have stopped rotating.
3. Always use a clearing tool at least 15 inches long.

Maintenance and Storage

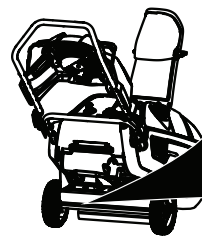
1. Check shear bolts and other bolts at frequent intervals for proper tightness to be sure the equipment is in safe working condition.
2. Never store the machine with fuel in the fuel tank inside a building where ignition sources are present such as hot water heaters, space heaters, or clothes dryers. Allow the engine to cool before storing in any enclosure.
3. Always refer to operator's manual for important details if the snow thrower is to be stored for an extended period.
4. Maintain or replace safety and instruction labels, as necessary.
5. Run the machine a few minutes after throwing snow to prevent freeze-up of the collector/impeller.

SERIAL NUMBER: _____

DATE OF PURCHASE: _____

THE MODEL AND SERIAL NUMBERS WILL BE FOUND ON A DECAL ATTACHED TO THE REAR OF THE SNOW THROWER HOUSING (Figure 1).

YOU SHOULD RECORD BOTH SERIAL NUMBER AND DATE OF PURCHASE AND KEEP IN A SAFE PLACE FOR FUTURE REFERENCE.



PRODUCT PRODUIT		MAINTENANCE LEVEL NIVEAU DE MAINTENANCE		SERIAL NUMBER NUMERO DE SERIE			
00000000		00		000000A 000000			
MODEL NUMBER / NUMERO DE MODELE		KG	KW	RPM	YEAR		
00000000		000	000	000	0000		
FOR SERVICE CALL/POUR APPELER LE SERVICE 1-800-448-7543 ASSEMBLED IN U.S.A. McRae, GA 31055				CONFORMS TO ANSI B71.3-2005 SAFETY STANDARDS CONFORME AUX NORMES DE SECURITE ANSI B71.3-2005			
							000000

Figure 1

CUSTOMER RESPONSIBILITIES

- Read and observe the safety rules.
- Follow a regular schedule in maintaining, caring for and using your snow thrower.
- Follow the instructions under "Maintenance" and "Storage" sections of this manual.

PRODUCT SPECIFICATIONS

Gasoline Capacity and Type:	0.31 Gallon (1,17 Liters) Unleaded Regular only
Oil Type (API SJ-SN):	SAE 30 (above 50°F) SAE 5W-30 or 10W-30 (32° to 50°F) SAE 5W-30 (below 32°F)
Oil Capacity:	16 Ounces (0,47 Liters)
Spark Plug: Gap:	F6RTC 0.030" (0,762 mm)

TABLE OF CONTENTS

SAFETY RULES	2-3	PRODUCT OVERVIEW	8
CUSTOMER RESPONSIBILITIES	3	OPERATION	9-13
PRODUCT SPECIFICATIONS	3	MAINTENANCE	14-18
SAFETY AND INSTRUCTIONAL DECALS	4	STORAGE	19
ASSEMBLY	5-7	TROUBLESHOOTING	20

KNOW YOUR SNOW THROWER

READ THIS OWNER'S MANUAL AND ALL SAFETY RULES BEFORE OPERATING YOUR SNOW THROWER.

Compare the illustrations with your snow thrower to familiarize yourself with the location of various controls and adjustments. Save this manual for future reference.

These symbols may appear on your snow thrower or in literature supplied with the product. Learn and understand their meaning.

IMPORTANT: Safety and instruction decals are located near areas of potential danger. Replace damaged decals.



IGNITION KEY.
INSERT TO
START AND
RUN

CHOKE CLOSED
(START)

PRIMER

RECOIL START

CHOKE OPEN
(RUN)

IGNITION KEY.
PULL OUT TO
STOP



READ AND FOLLOW ALL SAFETY INFORMATION
AND INSTRUCTIONS BEFORE USE OF THIS PRODUCT.
KEEP THESE INSTRUCTIONS FOR FUTURE REFERENCE.

⚠ DANGER

Shut off engine before unlogging chute. A clean-out tool must be used. Never use your hand to unlog chute.

Les blocages ne doivent pas être dégagés jusqu'à ce que le moteur soit au point mort. Utilisez un outil pour nettoyage. N'utilisez jamais vos mains pour nettoyer les chutes.

435835

⚠ DANGER

TO AVOID INJURY FROM ROTATING AUGER - KEEP HANDS, FEET AND CLOTHING AWAY.

POUR ÉVITER DES BLESSURES SÉRIEUSES AVEC LA FOREUSE TOURNANTE - GARDEZ LES MAINS, LES PIEDS ET LES VÊTEMENTS LOIN.

435834

⚠ DANGER

- Read and follow owner's manual.
- Never allow children to operate snowthrower.
- Keep all shields and guards in place while operating.
- Shut off engine and remain behind handles until all moving parts have stopped before unlogging or servicing unit.
- To avoid thrown object injuries never direct discharge at bystanders. Use extra caution when operating on gravel surfaces.
- Lisez le manuel du propriétaire.
- N'autorisez jamais que le enfants utilisent le chasse - neige.
- Gardez tous les déflecteurs en place pendant l'utilisation.
- Arrêtez le moteur et restez derrière des guidons jusqu'à ce que toutes les pièces mobiles se soient arrêtées avant de déboucher ou de faire aucun entretien à l'unité.
- Pour éviter des blessures sérieuses d'objets projetés; soyez conscient que l'orientation de la décharge ne soit jamais dirigé aux spectateurs. Prenez des précautions particulières quand vous allez sur des surfaces de gravier.

START | DÉMARRER | RUN | MARCHER

44106.2

ASSEMBLY

Setup

Loose Parts

Use the chart below to verify that all parts have been shipped.

Procedure	Description	Qty.	Use	Tools Required
1.	No parts required	–	Unfold the handle.	–
2.	Carriage bolts Shoulder bolt Flange nuts Washer Knob Cap Plunger Chute Deflector	4 1 4 1 1 1 1 1	Install the discharge chute. Install the discharge chute. Install the discharge chute. Install the discharge chute. Install the discharge chute. Install the discharge chute. Install the discharge chute. Install the discharge chute.	1/2" Wrench 7/16" Wrench 3/8" Wrench
3.	Screw	4	Install the upper handle cover.	5/16 Wrench
4.	No parts required	–	Filling the engine with oil	–

1. Unfolding the Handle

Procedure

1. Lift operator handle up to the desired height, and close adjustment lever ensuring the positioning pin on the lower handle engages one of the three holes on the upper handle (Figure 2).

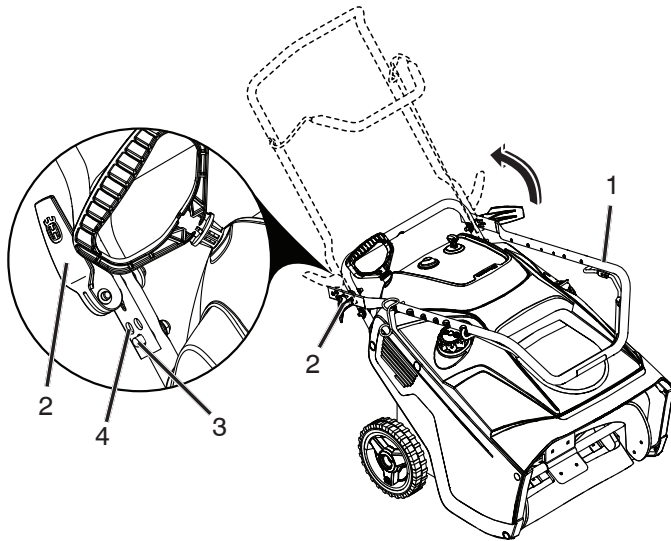


Figure 2

1. Handle
2. Handle adjustment lever
3. Positioning pin
4. Upper handle adjustment hole

2. Pull up and push down slightly on the handle to verify handle is locked into place (Figure 3).

NOTE: If handle feels unsecure with the adjustment levers closed, tighten adjustment handle nuts until the handle feels secure.

3. Remove the cardboard from recoil start handle and feed the recoil rope through the rope guide.

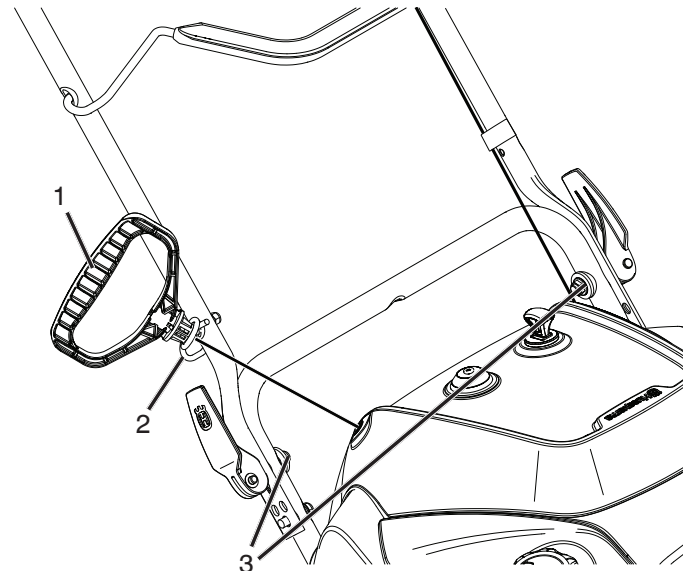


Figure 3

1. Recoil handle
2. Rope guide
3. Adjustment lever nut

ASSEMBLY

2. Installing the Discharge Chute

Procedure

1. Install the chute deflector to the discharge chute using bolts and, washer, nut, deflector knob and cap plunger (Figure 4).
2. Install the discharge chute to the chute base using three screws and nuts.

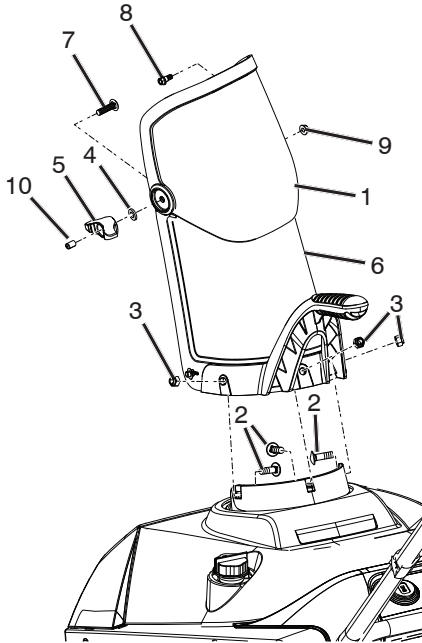


Figure 4

- | | |
|------------------------|-----------------------|
| 1. Deflector | 6. Discharge chute |
| 2. Carriage bolts | 7. Carriage Bolt |
| 3. Flange nuts 5/16-18 | 8. Shoulder Bolt |
| 4. Washer | 9. Flange nuts 1/4-20 |
| 5. Knob | 10. Cap Plunger |

3. Installing the Upper Handle Cover

1. Install the upper handle cover to the handles using four screws (Figure 5).

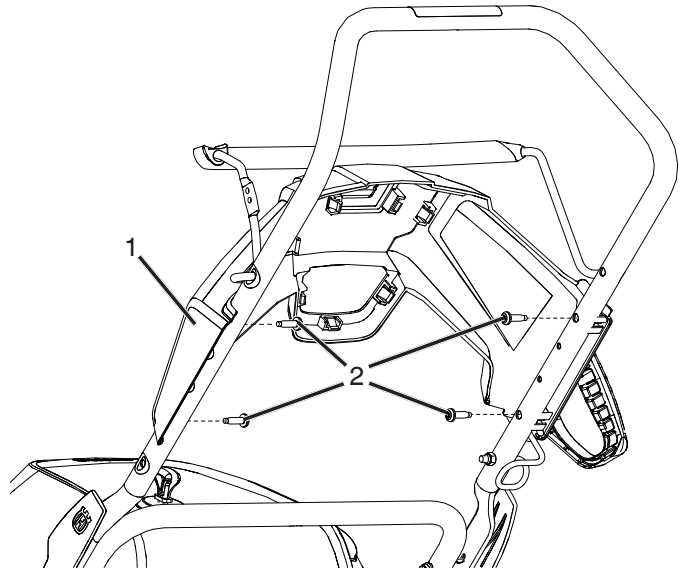


Figure 5

1. Upper handle cover
2. Screws

IMPORTANT: Do not overtighten the flange nuts; otherwise you may damage the discharge chute.

ASSEMBLY

4. Filling the Engine with Oil

ENGINE

See engine manual.

LUBRICATION

NOTE: SAE 10W30 or SAE 5W30 oil is acceptable for use in cold temperatures if engine is difficult to start.

NOTE: Although multi-viscosity oils (5W30, 10W30 etc.) improve starting in cold weather, these multi-viscosity oils will result in increased oil consumption when used above 32°F. Check your engine oil level more frequently to avoid possible engine damage from running low on oil.

Change the oil after every 25 hours of operation or at least once a year if the snow thrower is not used for 25 hours in one year.

Check the crankcase oil level before starting the engine and after each five (5) hours of continuous use. Tighten oil fill cap / dipstick securely each time you check the oil level.

1. Move the snowthrower to a level surface.
2. Clean around the dipstick (Figure 6).

NOTE: Dipstick location may vary depending on engine type.

3. Remove either side mounted filler cap dipstick or high oil fill dipstick and wipe it clean.

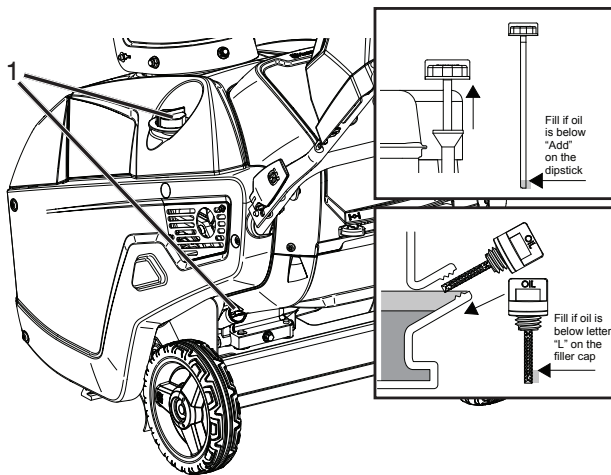


Figure 6

1. Oil filler cap/dipstick
-

4. Insert the dipstick into the filler neck and turn clockwise until fully seated. Then remove the dipstick by turning it counter-clockwise.
5. Fill oil to "FULL" on dipstick with the recommended oil.
6. Securely screw in the oil filler cap/dipstick.

PRODUCT OVERVIEW

Product Overview

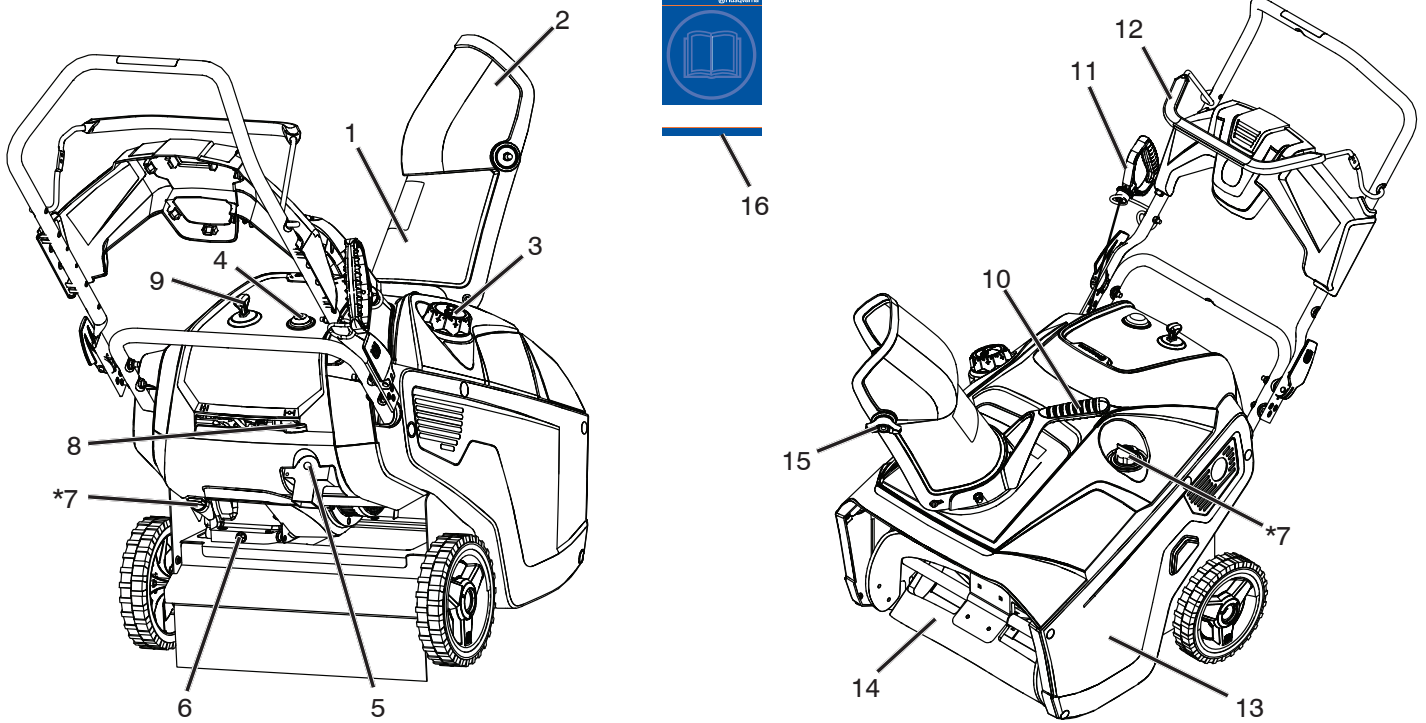


Figure 7

- | | |
|---|--------------------------|
| 1. Discharge chute | 9. Ignition key |
| 2. Chute deflector | 10. Chute rotator handle |
| 3. Fuel tank cap | 11. Recoil start handle |
| 4. Primer | 12. Control bar |
| 5. Electric-start button
(if equipped) | 13. Drive side cover |
| 6. Oil drain plug | 14. Auger blade |
| 7. Oil fill cap/dipstick | 15. Deflector knob |
| 8. Choke lever | 16. Owner's Manual |

* Dipstick location may vary depending on engine type.

OPERATION

Operation

NOTE: Determine the left and right sides of the machine from the normal operating position.



- Gasoline is extremely flammable and explosive. A fire or explosion from gasoline can burn you and others.
- To prevent a static charge from igniting the gasoline, place the container and/or snowthrower on the ground before filling, not in a vehicle or on an object.
- Fill the tank outdoors when the engine is cold. Wipe up spills.
- Do not handle gasoline when smoking or around an open flame or sparks.
- Store gasoline in an approved fuel container, out of the reach of children.
- Do not tip the snowthrower with fuel in the fuel tank.



The operation of any snow thrower can result in foreign objects thrown into the eyes, which can result in severe eye damage. Always wear safety glasses or eye shields while operating your snow thrower or performing any adjustments or repairs. We recommend standard safety glasses or a wide vision safety mask worn over spectacles.

IMPORTANT: Know how to operate all controls before adding fuel or attempting to start the engine.

Filling the Fuel Tank

Fill the fuel tank with fresh, unleaded gasoline (minimum 87 AKI octane rating) (Figure 8).

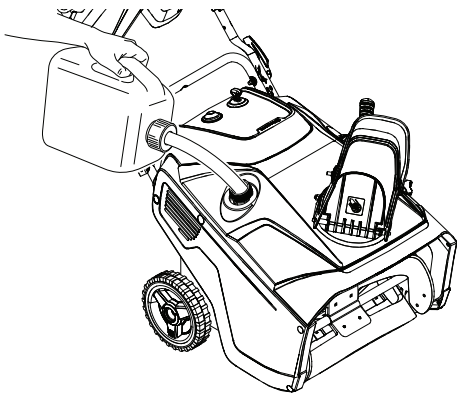


Figure 8

IMPORTANT: Do not add oil to the gasoline.

IMPORTANT: Do not use E85 blended fuels. This engine is not E20/E30/E85 compatible. Alternative fuels with high alcohol content can cause hard starting, poor engine performance, and may cause internal engine damage.

NOTE: For best results, purchase only the quantity of gasoline that you expect to use in 30 days. Otherwise, you may add fuel stabilizer to newly purchased gasoline to keep it fresh for up to 6 months.

Checking the Engine Oil Level

1. Move the snowthrower to a level surface.
2. Clean around the dipstick (Figure 9).

NOTE: Dipstick location may vary depending on engine type.

3. Remove either side mounted filler cap dipstick or high oil fill dipstick and wipe it clean.

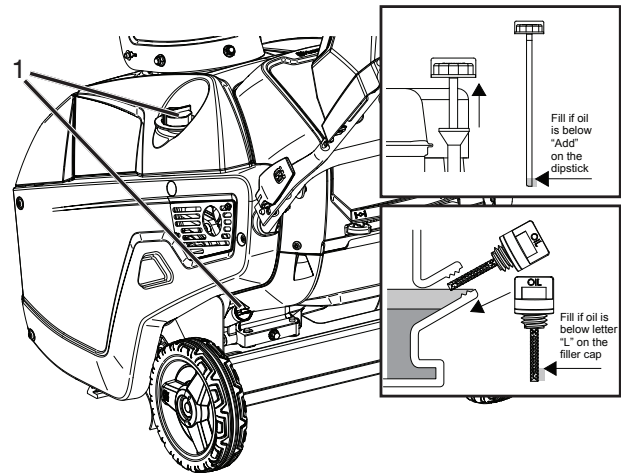


Figure 9

1. Oil filler cap/dipstick

4. Insert the dipstick into the filler neck and turn clockwise until fully seated. Then remove the dipstick by turning it counter-clockwise.
5. Fill oil to "FULL" on dipstick with the recommended oil.
6. Securely screw in the oil filler cap/dipstick.

NOTE: Running the engine with a low oil level can cause engine damage. Always check the engine oil before start up.

NOTE: Running the engine with too much oil may cause engine damage and excess smoke in the exhaust. Always check the engine oil level before start up.

OPERATION

Starting the Engine

1. Push key in (Figure 10).
2. Move choke lever to left position.
3. Firmly push in the primer 2 times with your thumb, holding the primer in a for a second before releasing it each time.

NOTE: Remove your glove when you push in the primer so that air cannot escape from the primer hole.

IMPORTANT: It may not be necessary to use the primer or the choke if the engine has been running and is hot. Excessive priming may flood the engine and prevent it from starting.

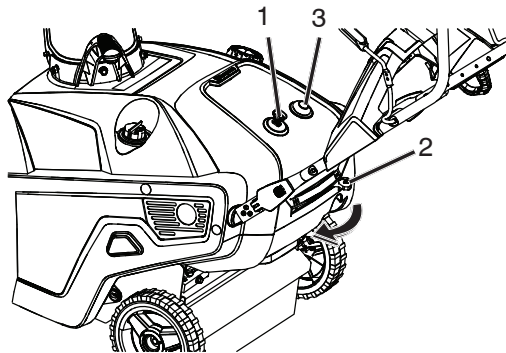


Figure 10

1. Key
2. Choke lever
3. Primer

4. Pull the recoil starter (Figure 11) or if your snow thrower is equipped with an electric starter, connect an extension cord to the snow thrower and plug the other end into a three-hole grounded 110 volt A.C. receptacle and push the electric-start button (Figure 12).

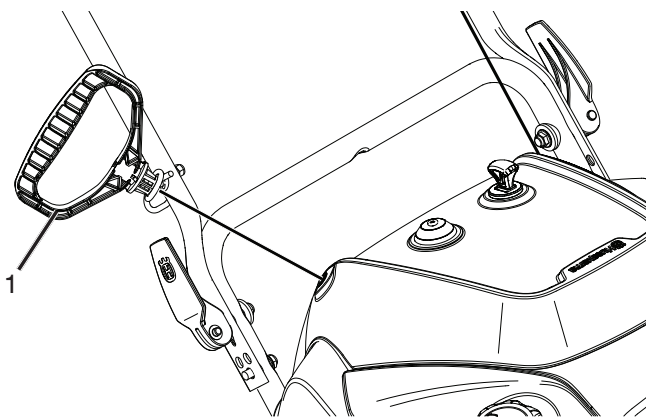


Figure 11

1. Recoil start handle

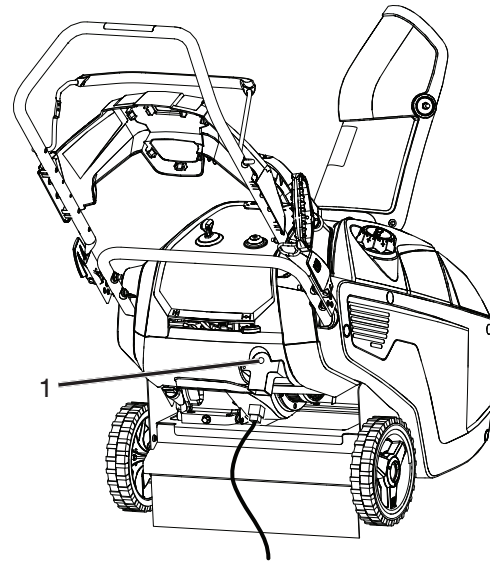


Figure 12

1. Electric start button

NOTE: Use an extension cord recommended for outdoor use that is not longer than 50 feet (15 m).



The electrical cord can become damaged, causing a shock or fire.

Thoroughly inspect the electrical cord before plugging it into a power source. If the cord is damaged, do not use it to start the snowthrower. Replace or repair the damaged cord immediately. Contact an Authorized Service Dealer for assistance.

IMPORTANT: Run the electric starter no more than 10 times at intervals of 5 seconds on, then 5 seconds off. Running the electric starter extensively can overheat and damage it. If the engine does not start after this series of attempts, wait at least 40 minutes to allow the starter to cool before attempting to start it again. If the engine does not start after the second series of attempts, take the snowthrower to an Authorized Service Dealer for service.

NOTE: If you pull the recoil handle and feel no resistance, the starter may be frozen. Thaw out the starter before attempting to start the snowthrower.

5. While the engine is running, move the choke lever slowly to the right position.
6. Unplug the extension cord from the power source and the snowthrower (Figure 12).



Unplug the power cord whenever you are not starting the snowthrower.

OPERATION

Engaging the Auger Blades

1. To engage the auger blades, hold the control bar against the handle (Figure 13).

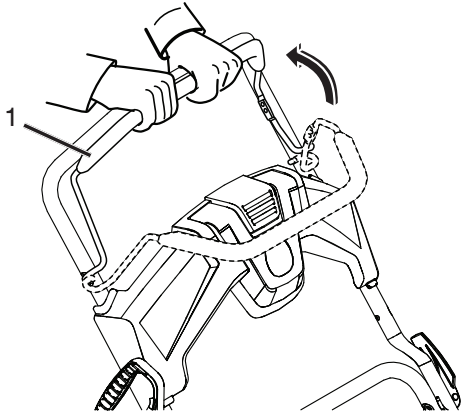


Figure 13

1. Control bar

Disengaging the Auger Blades

1. To disengage the auger blades, release the control bar (Figure 14).

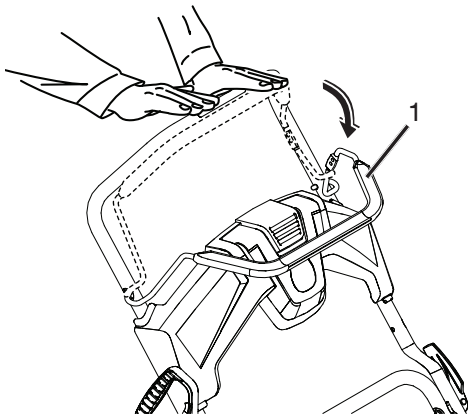


Figure 14

1. Control bar

IMPORTANT: During initial operation there may be wear between the auger blades and the scraper bar. Maximum performance, both snow throwing and driving, occurs when there is zero clearance between these two parts (Figure 15).



During initial break-in period of the auger blades it is normal for the auger blades to build up excessive heat if not operated in the snow.

Do not operate without snow or water for lubricating the auger blades. This will cause excessive heat build up in the auger blades which could cause damage to the auger blades and scraper bar.

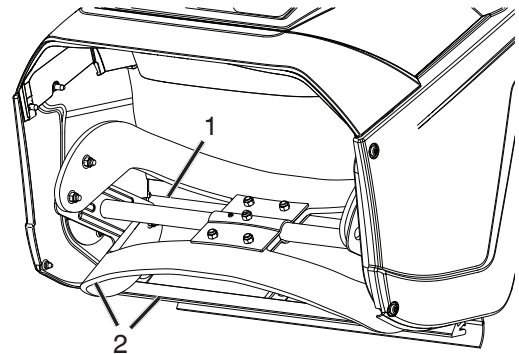


Figure 15

1. Rub Area

2. Wear Areas

Stopping the Engine

To stop the engine, pull key out (Figure 16).

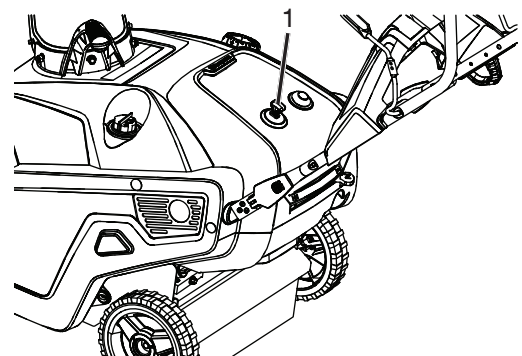


Figure 16

1. Key

OPERATION

Adjusting the Discharge Chute and Chute Deflector

1. To adjust the discharge chute, move deflector chute handle left or right to desired position (Figure 17).

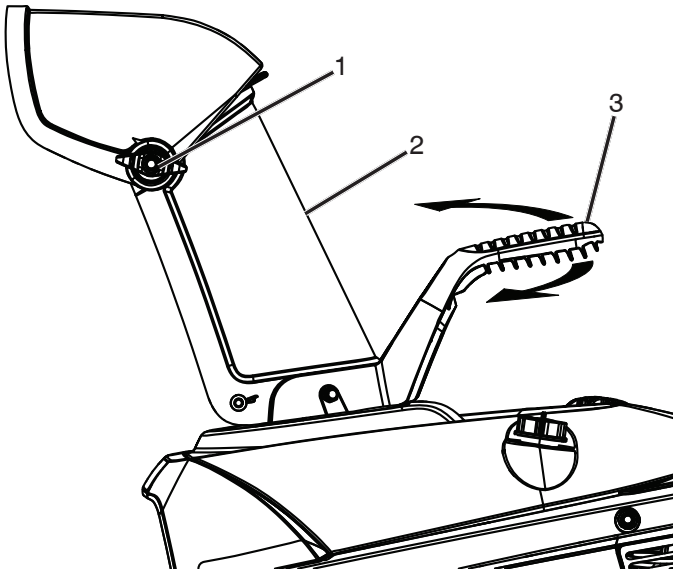


Figure 17

1. Chute deflector knob
2. Chute deflector
3. Chute handle

2. To raise or lower the angle of the chute deflector, loosen the chute deflector knob on the chute deflector and move the chute deflector up or down (Figure 17).

Clearing a Clogged Discharge Chute



Hand contact with the rotating auger blades inside the discharge chute is the most common cause of injury associated with snow throwers. Never use your hand to clean out the discharge chute.

To clear the chute:

1. SHUT THE ENGINE OFF!
2. Wait 10 seconds to be sure the auger blades have stopped rotating.
3. Always use a clearing tool at least 15 inches long, not your hands (Figure 18).

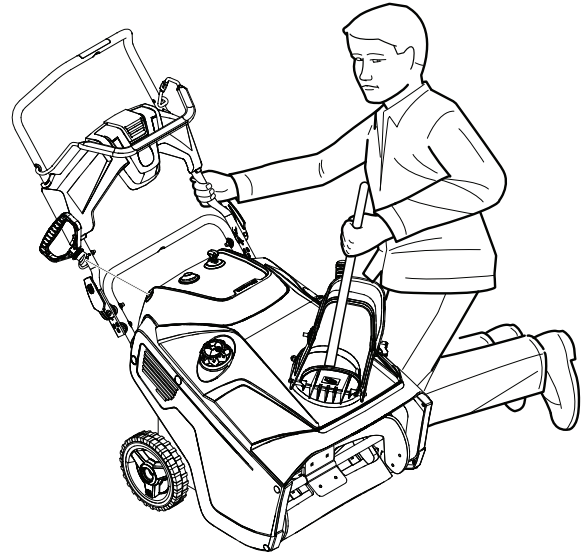


Figure 18

OPERATION

Preventing Freeze-up After Use

- Let the engine run for a few minutes to prevent moving parts from freezing. Stop the engine, wait for all moving parts to stop, and remove ice and snow from the snowthrower.
- Clean off any snow and ice from the base of the chute.
- Rotate the discharge chute left and right to free it from any ice buildup.
- With the ignition key in the Off position, pull the recoil starter handle several times or connect the electrical cord to a power source and the snowthrower and push the electric start button once to prevent the recoil starter and/or the electric starter from freezing up.
- In snowy and cold conditions, some controls and moving parts may freeze. Do not use excessive force when trying to operate frozen controls. If you have difficulty operating any control or part, start the engine and let it run for a few minutes.

Operating Tips



The auger blades can throw stones, toys, and other foreign objects and cause serious personal injury to the operator or to bystanders.

- **Keep the area to be cleared free of all objects that the auger blades could pick up and throw.**
 - **Keep all children and pets away from the area of operation.**
 - **Do not operate snow thrower if weather conditions impair visibility. Throwing snow during a heavy, windy snowstorm can blind you and be hazardous to the safe operation of the snow thrower.**
- The best time to remove snow is the early morning. At this time the snow is usually dry and has not been exposed to the direct sun and warming temperatures.
 - Slightly overlap each successive path to ensure all snow will be removed.
 - Throw snow downwind whenever possible.
 - For extremely heavy snow, reduce the width of snow removal by overlapping previous path and moving slowly.
 - Keep engine clean and clear of snow during use. This will help air flow and extend engine life.
 - After snow-throwing is completed, allow engine to run for a few minutes to melt snow and ice off the engine.
 - Clean the entire snow thrower thoroughly after each use and wipe dry so it is ready for next use.
 - Spraying off unit with a hose is NOT recommended.

MAINTENANCE

Maintenance

NOTE: Determine the left and right sides of the machine from the normal operating position.

MAINTENANCE SCHEDULE FILL IN DATES AS YOU COMPLETE REGULAR SERVICE		BEFORE EACH USE AFTER EACH USE EVERY 25 HOURS OR EVERY SEASON BEFORE STORAGE				SERVICE DATES							
		✓	✓	✓	✓								
T H R O W E R	Check for Loose Fasteners	✓			✓								
	Clean / Inspect Snow Thrower		✓		✓								
	Clean / Replace V-Belts			✓									
	Check / Replace Auger Blades and Scraper Bar	✓											
	Check Fuel Lines and Electrical Wires			✓	✓								
E N G I N E	Check Engine Oil Level	✓											
	Change Engine Oil			✓									
	Inspect Muffler			✓									
	Check / Replace Spark Plug			✓									
	Empty Fuel Tank				✓								

Adjusting the Control Cable

Checking the Control Cable

1. Release the control bar to remove the slack in the control cable (Figure 19).

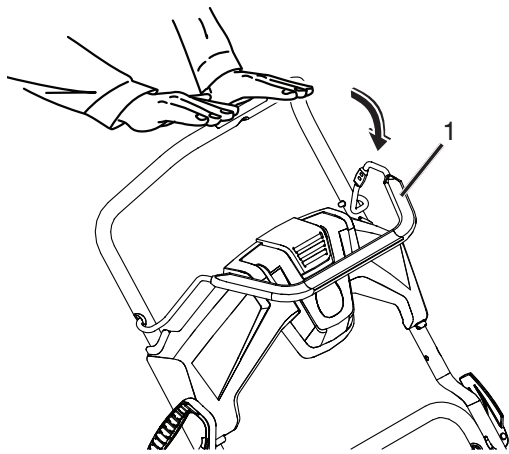


Figure 19

1. Control bar

IMPORTANT: The control cable must contain some slack when you disengage the control bar for the auger blades to stop properly.

NOTE: You may need to adjust the control cable from position 1 (default) to position 2 if you notice belt slip when the control bar is engaged.

NOTE: If the control cable is adjusted to position 2, ensure that the auger stops properly when the control bar is released

Adjusting the Control Cable

1. With the control bar disengaged, unhook and move the control cable to the highest position. (Figure 20).

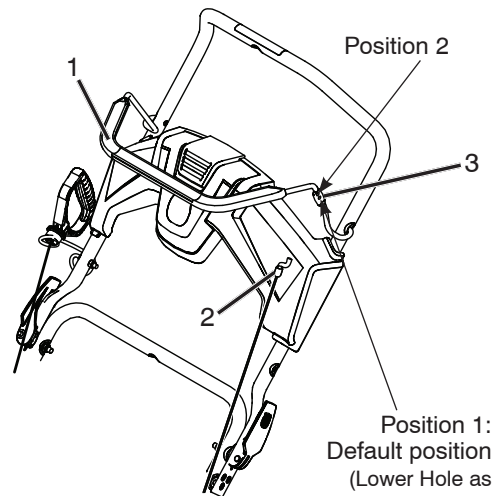


Figure 20

1. Control bar
2. Adjuster link
3. Cable positions

MAINTENANCE

Inspecting the Auger Blades/ Scraper Bar

Before each session, inspect the auger blades for wear. When an auger blade edge or the scraper bar has worn down have an Authorized Service Dealer replace the auger blades and the scraper bar (Figure 21).

NOTE: Auger blades and scraper bar are wear items and may have to be replaced after extended use.

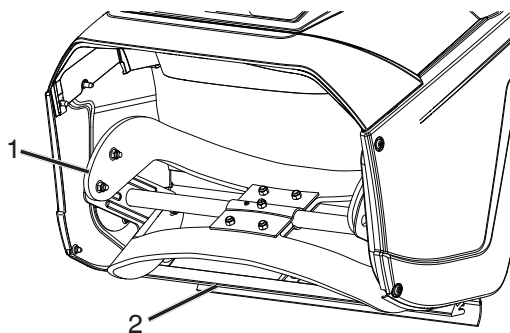


Figure 21

1. Auger blades 2. Scraper bar

Changing the Engine Oil

Run the engine a few minutes before changing the oil to warm it. Warm oil flows better and carries more contaminants.



The engine oil will be hot. Avoid skin contact with the used engine oil.

1. Move snowthrower to a level surface.
2. Run snowthrower until all fuel has been depleted.
3. Remove ignition key.
4. Place an oil drain pan under the oil drain plug and remove the oil drain plug. Tip the snowthrower backward and drain the used oil in the oil drain pan (Figure 22).

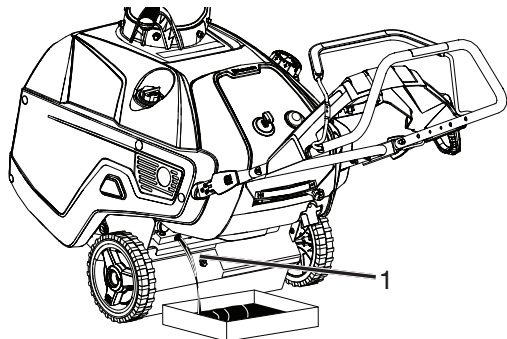


Figure 22

1. Oil drain plug

5. After draining the used oil, return the snowthrower to the operating position.
6. Install the oil drain plug and torque to 145-150 in-lbs (17 N-m).

NOTE: Dipstick location may vary depending on engine type.

7. Clean around the oil filler cap/dipstick (Figure 23).
8. Unscrew and remove the oil fill cap/dipstick.

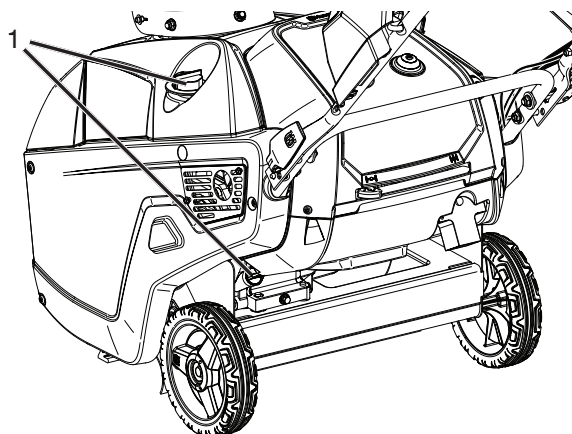


Figure 23

1. Oil fill cap/dipstick

9. With the snowthrower in the operating position, carefully pour oil into the oil fill hole until "Full" on the fill cap/dipstick line (Figure 24).

Max fill: 18 oz. (0.5 l), type: automotive detergent oil with an API service classification of SJ, SL, or higher.

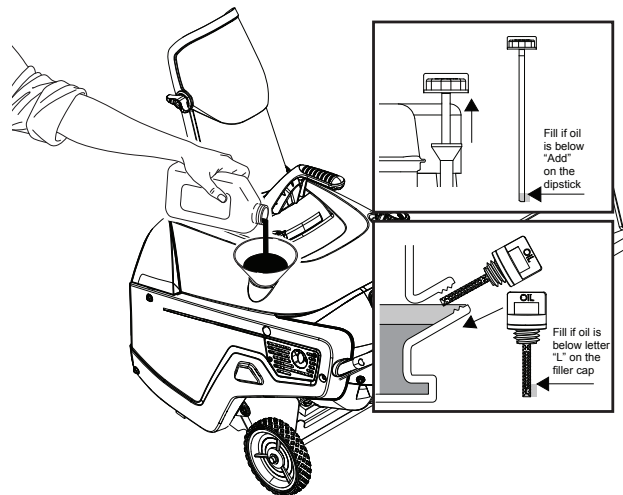


Figure 24

10. Screw in the oil fill cap/dipstick and hand tighten it securely.
11. Wipe up any spilled oil.
12. Dispose of the used oil properly at a local recycling center.

MAINTENANCE

Servicing the Spark Plug

Use a NGK BPR6ES, Champion RN9YC, or BOSCH WR6DC spark plug or equivalent.

1. Move snow thrower to a level surface.
2. Run snow thrower until all fuel has been depleted.
3. Wait until engine is cool.
4. Rotate the discharge chute so that it faces forward.
5. Remove the discharge chute and the discharge chute handle by removing the three carriage bolts and three flange nuts (Figure 25).

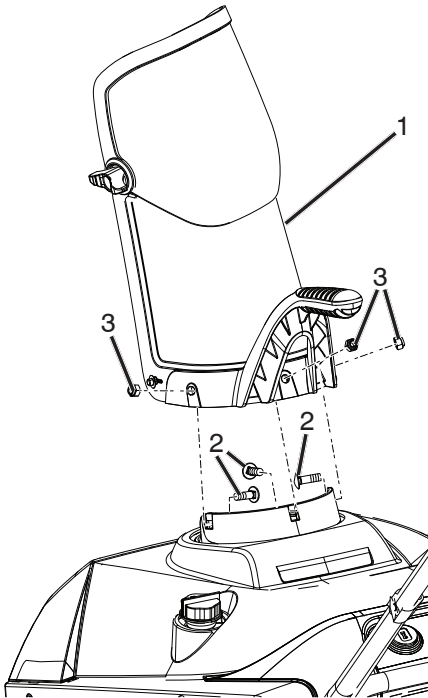


Figure 25

- | | |
|--------------------|----------------|
| 1. Discharge chute | 3. Flange nuts |
| 2. Carriage bolts | |

6. Remove two screws in plenum that hold top cover (Figure 26).
7. Remove the oil fill cap.

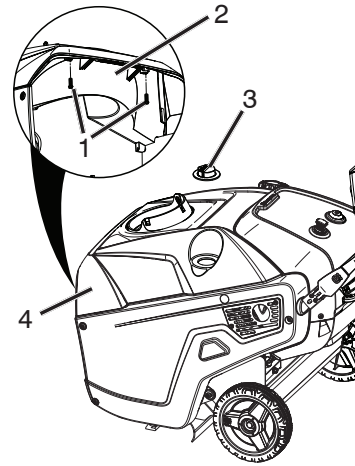


Figure 26

- | | |
|-----------|-----------------|
| 1. Screw | 3. Oil fill cap |
| 2. Plenum | 4. Top cover |

8. Unsnap top cover by firmly pulling upwards at the rear section of the cover disengaging the three clips (Figure 27).
9. Shift top cover until fuel tank is clear of the rear upper cover and set top cover to the side of the unit.
10. Temporarily reinstall oil fill cap to prevent foreign object from entering the engine.
11. Remove 2 screws in the side cover and rear covers on both sides.

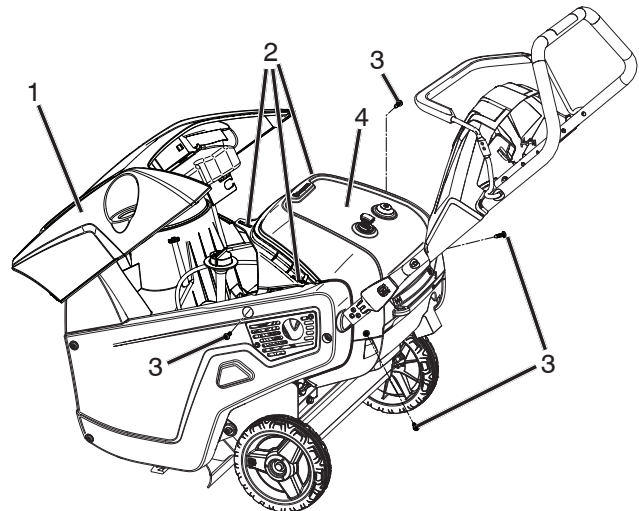


Figure 27

- | | |
|--------------|---------------------|
| 1. Top cover | 3. Screw |
| 2. Clips | 4. Rear upper cover |

MAINTENANCE

12. Unplug electrical wires on back of ignition switch (Figure 28).
13. Pull tube off the back of the primer bulb.

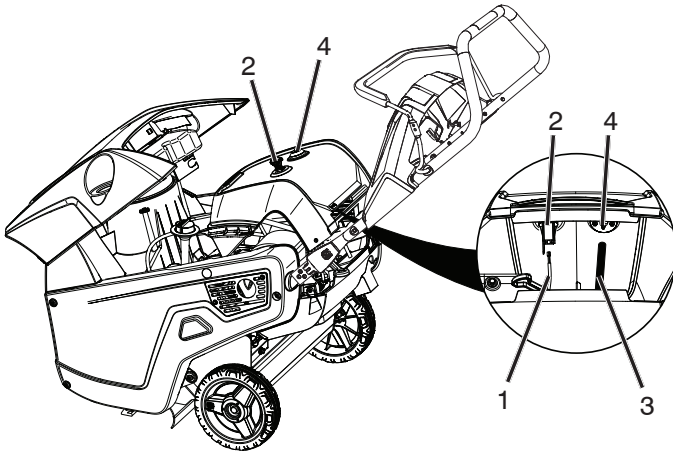


Figure 28

- | | |
|---------------------|----------------|
| 1. Electrical wires | 3. Tube |
| 2. Ignition switch | 4. Primer bulb |

14. Lift rear upper cover and lay it to the side of the unit.
- IMPORTANT:** The recoil rope will still be attached to the upper cover.
15. Disconnect the spark plug wire from the spark plug (Figure 29).
 16. Clean around the spark plug.
 17. Remove the spark plug from the cylinder head.

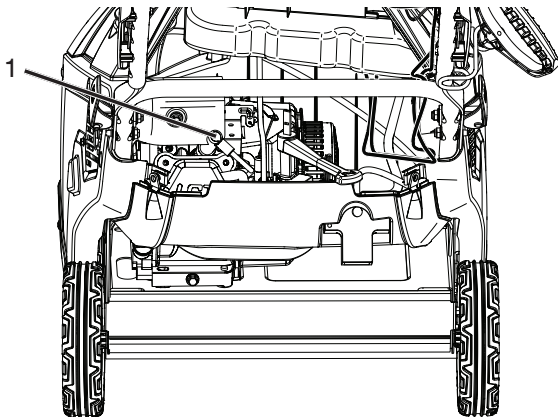


Figure 29

1. Spark plug wire

IMPORTANT: Replace a cracked, fouled, or dirty spark plug. Do not clean the electrodes because grit entering the cylinder can damage the engine.

18. Set the gap on the plug to 0.030 inch (0.76 mm) (Figure 30).

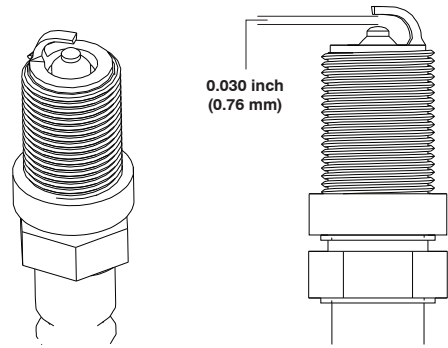


Figure 30

19. Install the spark plug and torque it to 20–22 ft-lb (27–30 N-m).
20. Connect the spark plug wire to the spark plug (Figure 29).
21. Reattach primer bulb tube to primer bulb and electrical wires on back ignition switch of rear upper cover (Figure 28).
22. Set rear upper cover in place so the two screw holes line up with the rear lower cover and side covers (Figure 31).

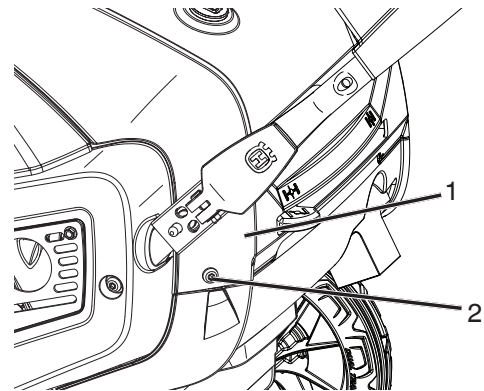


Figure 31

1. Rear upper cover
2. Screw

23. Reattach two screws through the rear covers and into the clip on the side cover (Figure 27).
24. Remove top oil fill cap.
25. Set top cover in place and snap three top cover clips into the rear upper cover (Figure 27).
26. Reinstall top oil fill cap.
27. Reinstall two screws in the side covers that attach to the clips on the top cover.
28. Reinstall two screws in the plenum that attach to the top cover (Figure 26).
29. Reinstall discharge chute with the hardware removed in step 5.

MAINTENANCE

Replacing the Drive Belt

If auger V-belt becomes worn, oil-soaked, excessively cracked, frayed, or otherwise damaged, replace the belt.

1. Remove the drive side cover by removing the six screws as shown in (Figure 32).

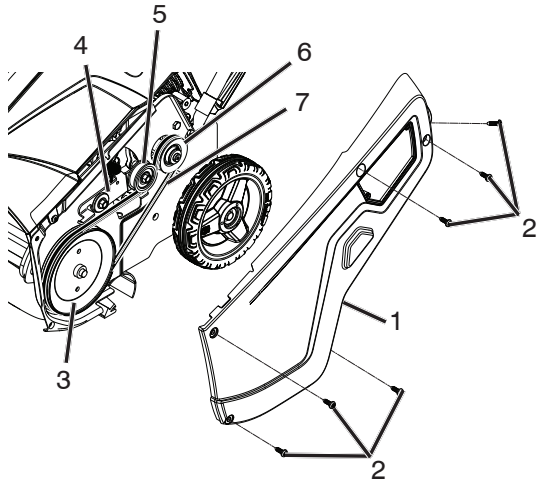


Figure 32

- | | |
|---------------------|------------------|
| 1. Drive side cover | 5. Idler pulley |
| 2. Screw | 6. Engine pulley |
| 3. Drive pulley | 7. Auger V-Belt |
| 4. Idler arm | |

2. Remove drive pulley from the auger shaft.

NOTE: Nut is welded to drive pulley and has left handed threads.

3. Remove the auger v-belt from the drive pulley.

4. Install the new auger V-belt and drive pulley, routing it as shown in Figure 33.

NOTE: Route the new auger v-belt first around the engine pulley, then the idler pulley, and finally around the drive pulley while pressing down on the front of the idler arm. (Figure 33).

5. Install the drive side cover with the screws removed in step 1.

NOTE: Ensure belt keeper on the plastic side panel engages between belt and frame before bolting down.

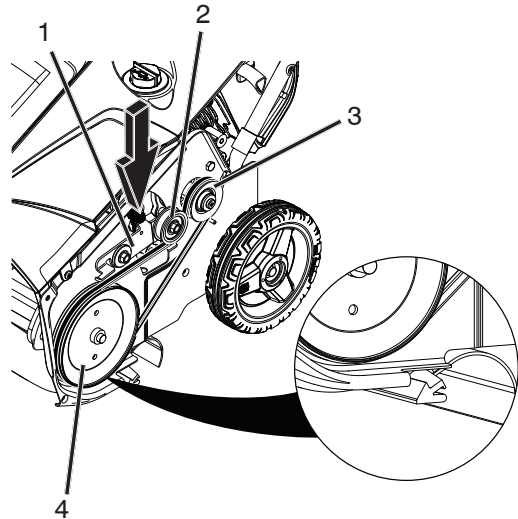


Figure 33

- | |
|------------------|
| 1. Idler arm |
| 2. Idler pulley |
| 3. Engine pulley |
| 4. Drive pulley |

NOTE: Ensure that the auger v-belt is properly adjusted and operating; refer to Checking the Control Cable and Adjusting the Control Cable in the Maintenance section of this manual.

STORAGE

Storage

STORING THE SNOWTHROWER

Immediately prepare your snow thrower for storage at the end of the season or if the unit will not be used for 30 days or more.



WARNING: Never store the snow thrower with gasoline in the tank inside a building where fumes may reach an open flame, spark or pilot light as on a furnace, water heater, clothes dryer or gas appliance. Allow the engine to cool before storing in any enclosure.

SNOW THROWER

When snow thrower is to be stored for a period of time, clean it thoroughly, remove all dirt, grease, leaves, etc. Store in a clean, dry area.

1. Clean entire snow thrower after each use.
2. Inspect and replace belts, if necessary (See “Replacing the Drive Belt” section of this manual).
3. Be sure that all nuts, bolts, screws, and pins are securely fastened. Inspect moving parts for damage, breakage and wear. Replace if necessary.

FUEL SYSTEM

IMPORTANT: It is important to prevent gum deposits from forming in essential fuel system parts such as carburetor, fuel hose, or tank during storage. Also, alcohol blended fuels can attract moisture which leads to separation and formation of acids during storage. Acidic gas can damage the fuel system of an engine while in storage.

- Empty the fuel tank by starting the engine and letting it run until the fuel lines and carburetor are empty.
- Never use engine or carburetor cleaner products in the fuel tank or permanent damage may occur.
- Use fresh fuel next season.

NOTE: Fuel stabilizer is an acceptable alternative in minimizing the formation of fuel gum deposits during storage. Add stabilizer to gasoline in fuel tank or storage container. Always follow the mix ratio found on stabilizer container. Run engine at least 10 minutes after adding stabilizer to allow the stabilizer to reach the carburetor. Do not empty the gas tank and carburetor if using fuel stabilizer.

ENGINE OIL

Drain oil (with engine warm) and replace with clean engine oil. (See “Changing the Engine Oil” section of this manual).

CYLINDER

1. Remove spark plug.
2. Pour one ounce (29 ml) of oil through spark plug hole into cylinder.
3. Pull recoil starter handle slowly a few times to distribute oil.

OTHER

- Remove safety ignition key; store it in a safe place.
- Do not store gasoline from one season to another.
- Replace your gasoline can if your can starts to rust. Rust and/or dirt in your gasoline will cause problems.
- If possible, store your snow thrower indoors and cover it to protect it from dust and dirt.
- Cover your snow thrower with a suitable protective cover that does not retain moisture. Do not use plastic. Plastic cannot breathe, which allows condensation to form and will cause your snow thrower to rust.

IMPORTANT: Never cover snow thrower while engine/exhaust area is still warm.

TROUBLESHOOTING

Troubleshooting

See appropriate section in manual unless directed to a service center/department.

PROBLEM	CAUSE	CORRECTION
Does not start	<ol style="list-style-type: none"> 1. Safety ignition key is not inserted. 2. Out of fuel. 3. ON/OFF switch is OFF. 4. Choke in OFF position. 5. Primer not depressed. 6. Engine is flooded. 7. Spark plug wire is disconnected. 8. Bad spark plug. 9. Stale fuel. 10. Water in fuel. 11. Vapor locked fuel line. 	<ol style="list-style-type: none"> 1. Insert safety ignition key. 2. Fill fuel tank with fresh, clean gasoline. 3. Move ON/OFF switch to ON position. 4. Move to FULL position. 5. Prime as instructed in the Operation section of this manual. 6. Wait a few minutes before restarting, DO NOT prime. 7. Connect wire to spark plug. 8. Replace spark plug. 9. Empty fuel tank & carburetor, refill with fresh, clean gasoline. 10. Empty fuel tank & carburetor, refill with fresh, clean gasoline. 11. Ensure all the fuel line is below the outlet of the fuel tank. Fuel line should run continuously down from fuel tank to carburetor.
Loss of power	<ol style="list-style-type: none"> 1. Spark plug wire loose. 2. Throwing too much snow. 3. Fuel tank cap is covered with ice or snow. 4. Dirty or clogged muffler. 5. Improper cable length. 6. Blocked muffler. 7. Blocked carburetor air intake. 	<ol style="list-style-type: none"> 1. Reconnect spark plug wire. 2. Reduce speed and width of swath. 3. Remove ice and snow on and around fuel tank cap. 4. Clean or replace muffler. 5. Adjust cable. 6. Clear blockage (ensure engine is cool). 7. Clear blockage (ensure engine is cool).
Engine idles or runs roughly	<ol style="list-style-type: none"> 1. Choke is in FULL position. 2. Blockage in fuel line. 3. Stale fuel. 4. Water in fuel. 5. Carburetor is in need of replacing 6. Belt stretch. 	<ol style="list-style-type: none"> 1. Move choke to OFF position. 2. Clean fuel line. 3. Empty fuel tank & carburetor, refill with fresh, clean gasoline. 4. Empty fuel tank & carburetor, refill with fresh, clean gasoline. 5. Contact an authorized service center/department. 6. Replace auger v-belt.
Excessive vibration / Handle movement	<ol style="list-style-type: none"> 1. Loose parts or damaged augers or impeller. 2. Handles not positioned correctly. 3. Adjustment lever nuts are loose. 	<ol style="list-style-type: none"> 1. Tighten all fasteners. Replace damaged parts. If vibration remains, contact an authorized service center/department. 2. Ensure handles are locked into positioning. 3. Tighten nuts until handle feels secure.
Recoil starter is hard to pull	<ol style="list-style-type: none"> 1. Frozen recoil starter. 2. Rope is interfering with components. 	<ol style="list-style-type: none"> 1. See "IF RECOIL STARTER HAS FROZEN" in the Operation section of this manual. 2. Recoil rope should not be touching any wires or hoses.
Loss of snow discharge or slowing of snow discharge	<ol style="list-style-type: none"> 1. Worn belt. 2. Auger v-belt is off of pulley. 3. Auger v-belt is worn. 4. Clogged discharge chute. 5. Augers / impeller jammed. 	<ol style="list-style-type: none"> 1. Adjust drive cable per maintenance procedures. 2. Check / reinstall auger v-belt. 3. Check / replace auger v-belt. 4. Clean snow chute. 5. Remove debris or foreign object from augers / impeller.
Lights not On (If Equipped)	<ol style="list-style-type: none"> 1. Motor not running. 2. Loose wire connection. 3. LED burnt out. 	<ol style="list-style-type: none"> 1. Start engine. 2. Check wire connections at engine and both lights. 3. Replace LED light module. (Individual LEDs are not replaceable)
Rotator hard to move	<ol style="list-style-type: none"> 1. Debris in chute rotator mechanism. 2. Cable are kinked or damaged. 	<ol style="list-style-type: none"> 1. Clean internal parts of chute rotator mechanism. 2. Ensure cables are not kinked. Replace damaged cables.

SERVICE NOTES

SERVICE NOTES

SERVICE NOTES



www.husqvarna.com

Free Manuals Download Website

<http://myh66.com>

<http://usermanuals.us>

<http://www.somanuals.com>

<http://www.4manuals.cc>

<http://www.manual-lib.com>

<http://www.404manual.com>

<http://www.luxmanual.com>

<http://aubethermostatmanual.com>

Golf course search by state

<http://golfingnear.com>

Email search by domain

<http://emailbydomain.com>

Auto manuals search

<http://auto.somanuals.com>

TV manuals search

<http://tv.somanuals.com>