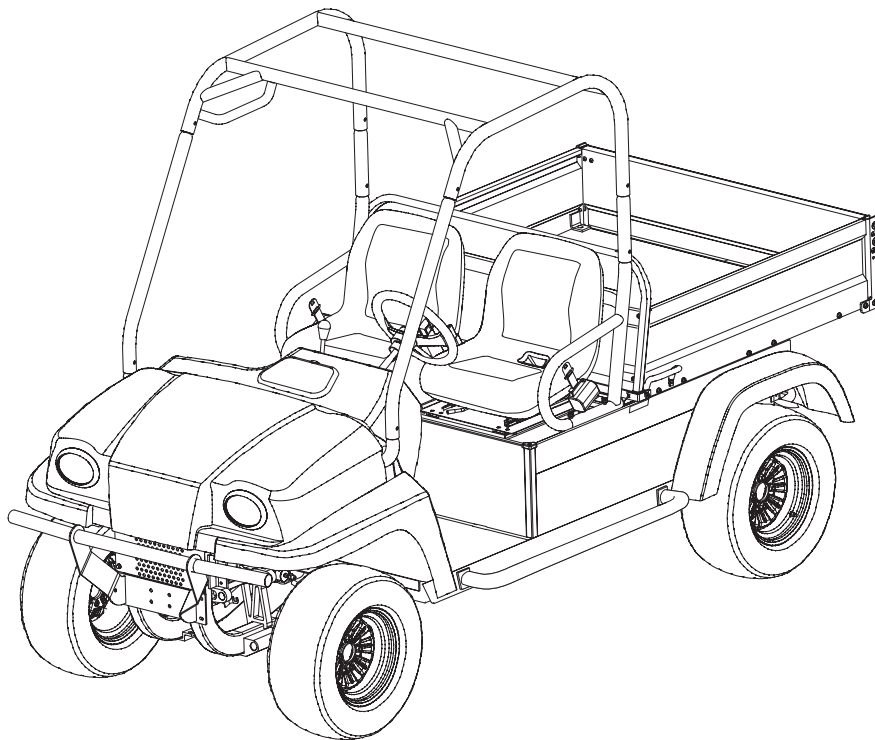




**2005**  
**HUV4420 and HUV4420-D**  
**Illustrated Parts List**



**HUV4420 and HUV4420-D**  
**Gasoline and Diesel Vehicles**

Manual Number 603001805  
Edition Code 0105F1207E



# USING THE ILLUSTRATED PARTS LIST

---

## **⚠ WARNING**

- **This manual is to be used only for identification and ordering of service parts. Be sure to read and use the maintenance and service manual before attempting any vehicle repairs.**

This manual covers all HUV4420 gasoline and HUV4420-D diesel vehicles.

The manual is divided into 15 sections. Sections 1 through 14 pertain to the gasoline and diesel vehicles, Section 15 pertains to tools that are used on all Husqvarna products.

Use the Table of Contents to find the sections and pages that contain the parts and assemblies you seek. The Table of Contents lists section numbers, and under them, the individual page titles and numbers to be found in that section. The index can be used to find specific parts and assemblies. The index is divided into numerical and alphabetical listings with the page numbers in italic text.

There is a two-page spread for each individual page title in the Table of Contents. On the left-hand page is an illustration showing the parts in their relative positions; the parts are each tagged with an item number in a balloon. The right-hand page is the parts list page, and gives the page title at the top, then the item numbers (corresponding to the numbers on the illustration), part descriptions, and quantity of parts used.

Note that a part description may be indented. This indentation corresponds to a parts assembly level indicated by the numbers 1, 2, 3, and 4 at the top left corner of the parts description area of the parts list page. A part that is indented to *level 2* is a component of the *level 1* part (assembly) that it is listed under. A *level 3* part is a component of the *level 2* part that it is listed under, and a *level 4* part is a component of the *level 3* part preceding it. In each case, the part quantity given for a level 2, 3, or 4 part *is the quantity used per next higher level assembly of which it is a component*. A part that is not indented is a *level 1* part. This means that the quantity given is the quantity used per the portion of the vehicle illustrated on that particular spread.

## HOW TO ORDER PARTS

Replacement parts and accessories can be obtained from our network of authorized dealers and distributors. For the name and address of the Husqvarna representative nearest you, logon to our web site at [www.usa.husqvarna.com](http://www.usa.husqvarna.com). If you would prefer to write to us, direct your letter to: Husqvarna, Attention: Marketing Services, 7349 Statesville Rd., Charlotte, NC 28269 USA. Your local authorized Husqvarna representative can also provide technical advice, parts, and service manuals.



Husqvarna Forest and Garden  
7349 Statesville Rd.  
Charlotte, NC 28269  
USA  
[www.husqvarna.com](http://www.husqvarna.com)

**NOTE:** *This illustrated parts list represents the most current information at the time of publication. Husqvarna is continually working to further improve its vehicles and other products. These improvements may affect the parts used to service the vehicle. Any modification and/or significant change in specifications will be forwarded to all Husqvarna distributors/dealers and will, when applicable, appear in future editions of this illustrated parts list.*

*Husqvarna reserves the right to change specifications and designs at any time without notice and without the obligation of making changes to units previously sold.*



# CONTENTS

---

## SECTION 1 – BODY AND TRIM

---

Front Body Trim, Gasoline Vehicles .....	1-3
Front Body Trim, Diesel Vehicles .....	1-5
Front Body Components .....	1-7
Front Seats and Cup Holder .....	1-9
ROPS .....	1-11
Tilt Bed and Hinge .....	1-13
Electric Bed Lift .....	1-15
Cargo Box .....	1-17
Rear Body Trim .....	1-19
Camouflage Covers .....	1-21

## SECTION 2 – WHEELS AND TIRES

---

Wheels and Tires, All-Terrain Tread .....	2-3
Wheels and Tires, Mud Tread .....	2-5

## SECTION 3 – DECALS

---

Safety Decals, Gasoline Decals .....	3-3
Safety Decals, Gasoline Vehicles, Continued .....	3-5
Safety Decals, Diesel Vehicles .....	3-7
Safety Decals, Diesel Vehicles, Continued .....	3-9
Badging Decals, HUV 4420 .....	3-11

## SECTION 4 – BRAKE SYSTEMS

---

Front Brake Assembly .....	4-3
Rear Brake Assembly .....	4-5
Master Cylinder .....	4-7
Hydraulic Brake Lines and Clips .....	4-9
Park Brake Assembly with Pulley System .....	4-11
Park Brake Assembly with Bellcrank System .....	4-13

## SECTION 5 – PEDAL GROUP

---

Accelerator Pedal Assembly .....	5-3
Brake Pedal Assembly .....	5-5
Park Brake Pedal Assembly .....	5-7
Park Brake Pedal Assembly with Bellcrank System .....	5-9

# CONTENTS

---

## SECTION 6 – STEERING AND SUSPENSION

---

Steering Column .....	6-3
Steering Gear Assembly .....	6-5
Front Suspension – A-Arms .....	6-7
Front Suspension (Standard) .....	6-9
Front Suspension (High-Capacity Option) .....	6-11
Rear Suspension (Standard) .....	6-13
Rear Suspension (High-Capacity Option) .....	6-15

---

## SECTION 7 – ELECTRICAL SYSTEM

---

Wiring – Gasoline Vehicles .....	7-5
Forward/Reverse Shifter Assembly .....	7-7
Wiring – Diesel Vehicles .....	7-11
Headlights .....	7-13
Electrical Component Box, Gasoline Vehicles .....	7-15
Electrical Component Box, Diesel Vehicles .....	7-17
Electrical Components, Instrument Panel, Gasoline Vehicles .....	7-19
Electrical Components, Instrument Panel, Diesel Vehicles .....	7-21
Battery – Gasoline Vehicles .....	7-23
Battery – Diesel Vehicles .....	7-25

---

## SECTION 8 – DIESEL ENGINE – CLOSED BREATHER

---

Kubota D722 Diesel Engine Mounting .....	8-3
Crankcase .....	8-5
Oil Pan .....	8-7
Cylinder Head .....	8-9
Gear Case .....	8-11
Head Cover .....	8-13
Dipstick and Guide .....	8-15
Oil Pump .....	8-17
Main Bearing Case .....	8-19
Camshaft and Idle Gear .....	8-21
Piston and Crankshaft .....	8-23
Flywheel .....	8-25
Shaft .....	8-27
Idle Apparatus .....	8-29
Stop Solenoid .....	8-31
40-Amp Alternator .....	8-33

# CONTENTS

---

60-Amp Alternator .....	8-35
Injection Pump .....	8-37
Speed Control Plate .....	8-39
Nozzle Holders and Glow Plugs .....	8-41
Governor Components .....	8-43
Starter .....	8-45
Valves and Rocker Arms .....	8-47
Diesel Inlet Manifold .....	8-49
Exhaust Manifold .....	8-51
Gasket Kits .....	8-53
Piston Kit .....	8-55

## SECTION 9 – HONDA GX620 GASOLINE ENGINE

---

Honda GX620 Gasoline Engine Mounting .....	9-3
Shrouds and Brackets .....	9-5
Ignition Components and Flywheel .....	9-7
Oil Circulation .....	9-9
Cylinder Head .....	9-11
Crankcase and Crankshaft .....	9-13
Oil Filter Adapter and Voltage Regulator .....	9-15

## SECTION 10 – FUEL, INTAKE, AND GOVERNOR SYSTEM

---

Fuel System – Gasoline Vehicles .....	10-3
Fuel Tank – Gasoline Vehicles .....	10-5
Fuel System – Diesel Vehicles .....	10-7
Fuel Tank – Diesel Vehicles .....	10-9
Carburetor Assembly, Honda Gasoline Vehicles .....	10-11
Carburetor Installation – Honda Gasoline Vehicles .....	10-13
Governor and Accelerator Cables, Gasoline Vehicles .....	10-15
Choke Cable, Gasoline Vehicles .....	10-17
Accelerator Cable, Diesel Vehicles .....	10-19
Governor Cover – Gasoline Vehicles .....	10-21
Governor System – Gasoline Vehicles .....	10-23
Intake Duct and Air Box Assembly – Honda Gasoline Vehicles .....	10-25
Intake Duct and Air Box Assembly – Diesel Vehicles .....	10-27

## SECTION 11 – EXHAUST SYSTEM

---

Exhaust System, Gasoline Vehicles .....	11-3
Exhaust System, Diesel Vehicles .....	11-5

# CONTENTS

---

## SECTION 12 – CLUTCHES

---

Clutch Cover (Standard) .....	12-3
Clutch Cover (Sealed) .....	12-5
Drive Belt .....	12-7
Drive Clutch – Gasoline Vehicles .....	12-9
Drive Clutch – Diesel Vehicles .....	12-11
Driven Clutch .....	12-13

---

## SECTION 13 – DRIVETRAIN COMPONENTS

---

Front Differential Mounting and Half Shafts .....	13-3
Front Differential (Output Components) .....	13-5
Front Differential (Input Components) .....	13-7
Prop Shafts .....	13-9
Forward/Reverse Shifter Assembly .....	13-11
Transmission .....	13-13
Transmission, Continued .....	13-15
Transmission, Continued .....	13-17
Transmission Cable .....	13-19
Rear Differential .....	13-21
Rear Differential, Continued .....	13-23

---

## SECTION 14 – RADIATOR AND COOLANT SYSTEM (DIESEL VEHICLES)

---

Radiator .....	14-3
Coolant Expansion Tank .....	14-5
Coolant Pipes and Hoses .....	14-7
Water Flange and Thermostat .....	14-9
Water Pump .....	14-11
Block Coolant Pipe .....	14-13

---

## SECTION 15 – MAINTENANCE AND SERVICE TOOLS

---

Maintenance and Service Tools .....	15-3
Maintenance and Service Tools, Continued .....	15-5
Maintenance and Service Tools, Continued .....	15-7
Maintenance and Service Tools, Continued .....	15-9
Maintenance and Service Tools, Continued .....	15-11

---

## SECTION i – INDEX

---

# BODY AND TRIM

---

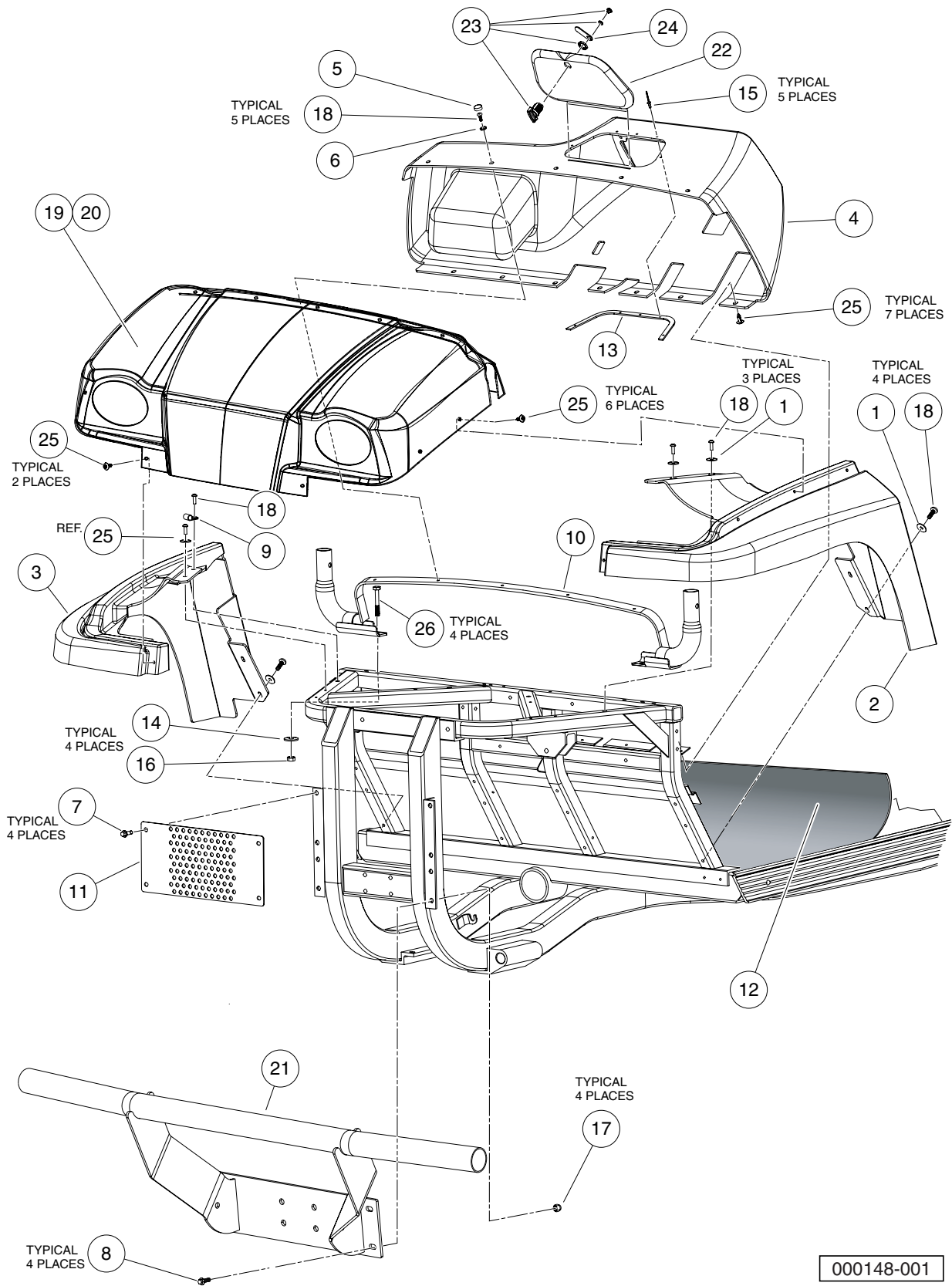
**1**

**G**

**D**

**1**  
**G**

**D**



000148-001

# FRONT BODY TRIM, GASOLINE VEHICLES

ITEM	PART NO.	DESCRIPTION	QTY
		1 2 3 4	
1	603 00 02-22	Washer, 1/4" Type B Flat .....	7
2	603 00 06-74	Fender, Left Front .....	1
3	603 00 06-76	Fender, Right Front .....	1
4	603 00 06-78	Dashboard with Access Hole .....	1
5	603 00 07-29	Cap, 1/4" Plastic Screw Head .....	5
6	603 00 07-37	Washer, 1/4 Id Scalloped Plast .....	5
7	603 00 08-70	Screw, M8 X 1.25 X 30 Tri, Blk .....	4
8	603 00 08-75	Bolt, Flange Head, M8 X 30.0 .....	4
9	603 00 09-66	P-Clamp, Insulated .312 In .....	1
10	603 00 09-89	Weldment, Support, ROPS .....	1
11	603 00 10-04	Grill, Flat .....	1
12	603 00 10-11	Mat, Floor .....	1
13	603 00 11-51	Support, Access Panel, Dash .....	1
14	603 00 11-74	Washer Hard,m10 .....	4
15	603 00 11-81	Rivet, .125" Dia, .311" Panel .....	5
16	603 00 13-00	Nut Flg M10 X 1.5 Mech Def .....	4
17	603 00 13-08	Lock Nut, Flg M8 X 1.25 Nylon .....	4
18	603 00 13-25	Screw, 1/4-20 X 1.0 Pn Hd Torx .....	13
19	603 00 16-75	Cowl, Camo .....	1
20	603 00 16-76	Cowl, Orange .....	1
21	603 00 17-69	Brush Guard .....	1
22	603 00 27-66	Panel, Access, Dash .....	1
23	603 00 27-78	Cam Lock Body .....	1
24	603 00 27-85	Latch, Cam, Access Panel .....	1
25	603 00 06-95	Rivet, Removable, Tuflok 1/4" .....	15
26	603 00 04-48	Bolt, M10 X 1.50 X 65 .....	4

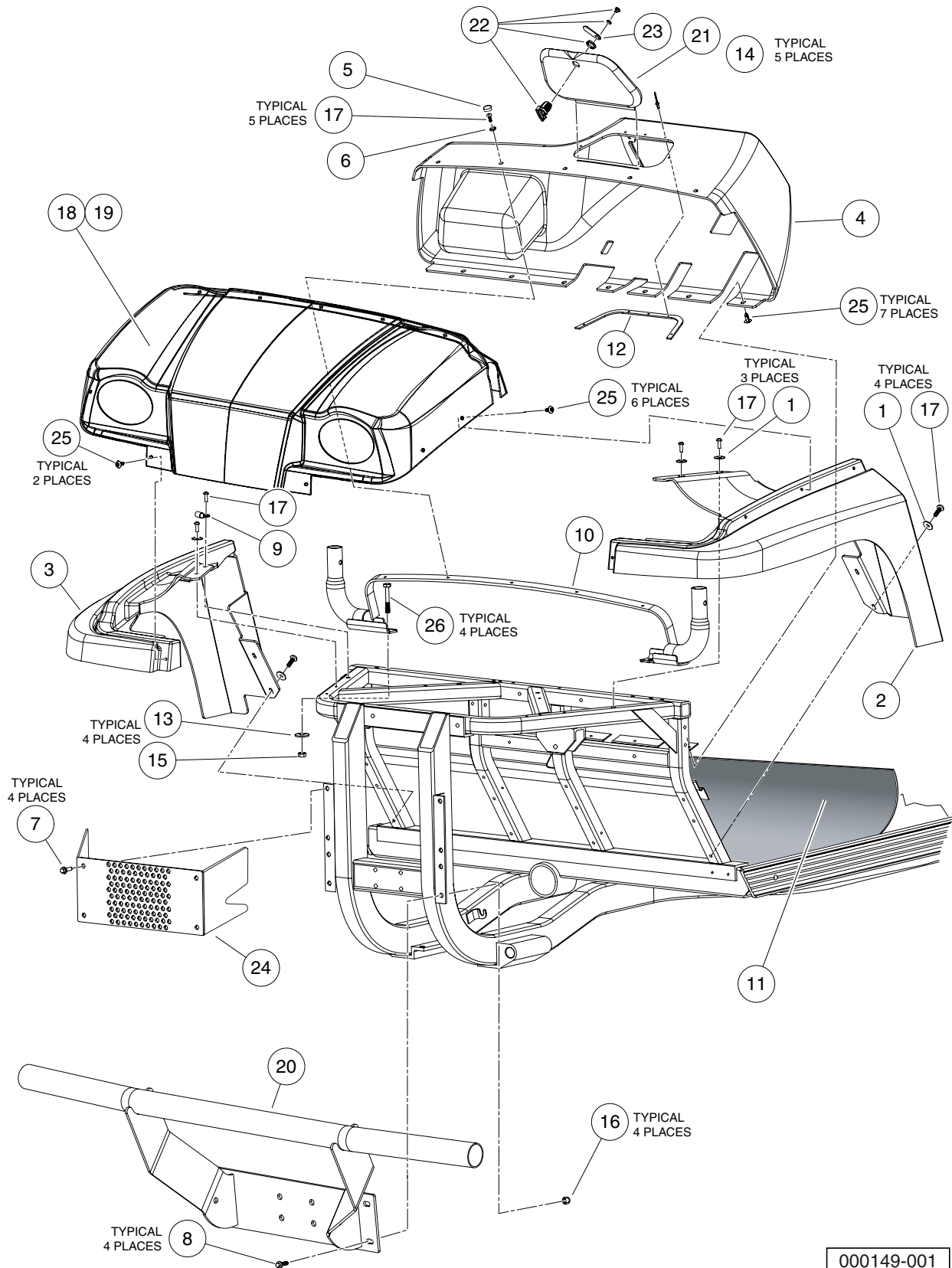
1

G

D

1  
G

D



000149-001



# FRONT BODY TRIM, DIESEL VEHICLES

ITEM	PART NO.	DESCRIPTION	QTY
		1 2 3 4	
1	603 00 02-22	Washer, 1/4" Type B Flat .....	7
2	603 00 06-74	Fender, Left Front .....	1
3	603 00 06-76	Fender, Right Front .....	1
4	603 00 06-78	Dashboard with Access Hole .....	1
5	603 00 07-29	Cap, 1/4" Plastic Screw Head .....	5
6	603 00 07-37	Washer, 1/4 Id Scalloped Plast .....	5
7	603 00 08-70	Screw, M8 X 1.25 X 30 Tri, Blk .....	4
8	603 00 08-75	Bolt, Flange Head, M8 X 30.0 .....	4
9	603 00 09-66	P-Clamp, Insulated .312 In .....	1
10	603 00 09-89	Weldment, Support, ROPS .....	1
11	603 00 10-11	Mat, Floor .....	1
12	603 00 11-51	Support, Access Panel, Dash .....	1
13	603 00 11-74	Washer Hard,m10 .....	4
14	603 00 11-81	Rivet, .125" Dia, .311" Panel .....	5
15	603 00 13-00	Nut Flg M10 X 1.5 Mech Def .....	4
16	603 00 13-08	Lock Nut, Flg M8 X 1.25 Nylon .....	4
17	603 00 13-25	Screw, 1/4-20 X 1.0 Pn Hd Torx .....	13
18	603 00 16-75	Cowl, Camo .....	1
19	603 00 16-76	Cowl, Orange .....	1
20	603 00 17-69	Brush Guard .....	1
21	603 00 27-66	Panel, Access, Dash .....	1
22	603 00 27-78	Cam Lock Body .....	1
23	603 00 27-85	Latch, Cam, Access Panel .....	1
24	603 00 10-58	Guard, Radiator .....	1
25	603 00 06-95	Rivet, Removable, Tuflok 1/4" .....	15
26	603 00 04-48	Bolt, M10 X 1.50 X 65 .....	4

1

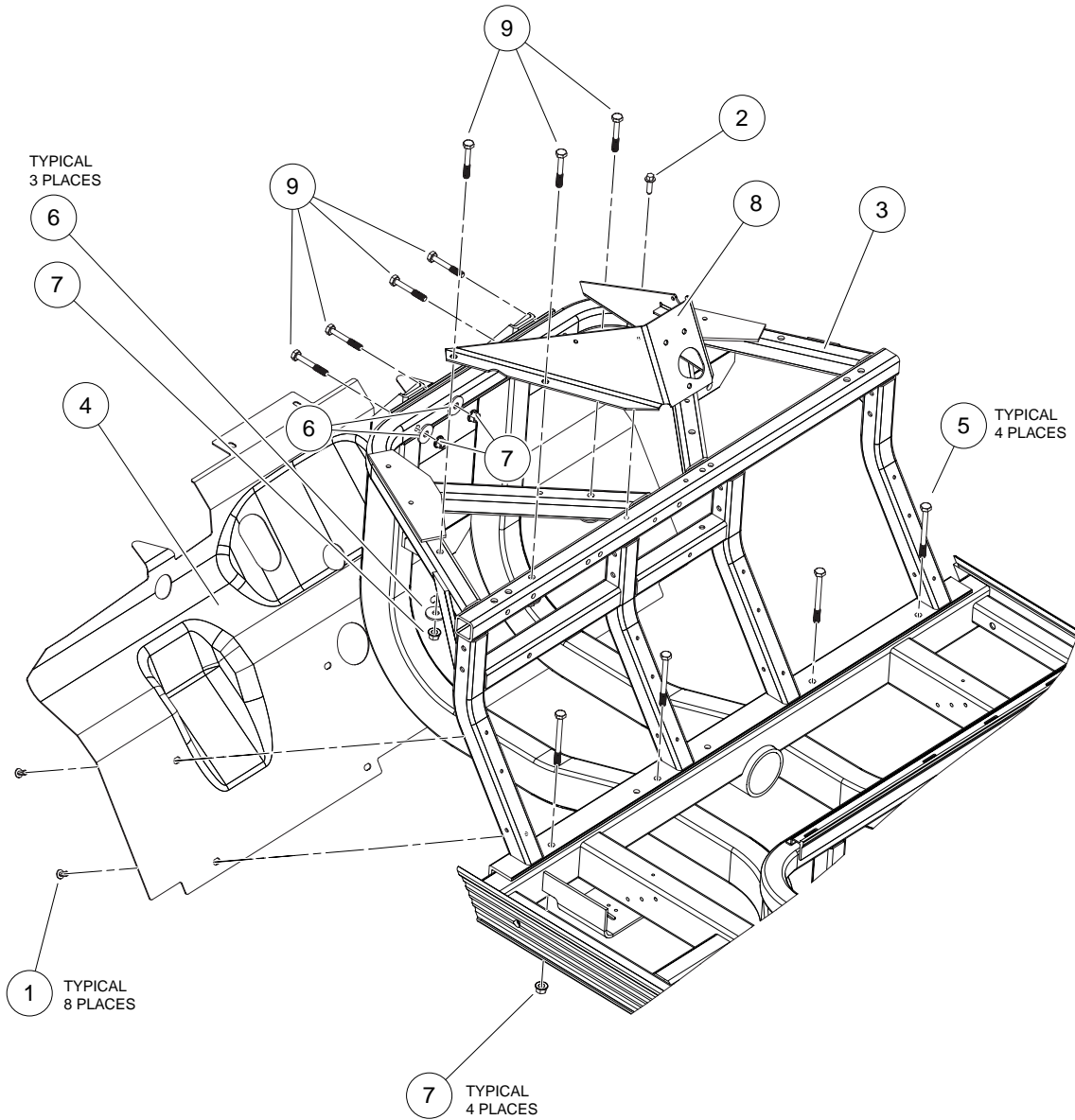
G

D

1

G

D



000017-001

# FRONT BODY COMPONENTS

ITEM	PART NO.	DESCRIPTION	QTY
		1 2 3 4	
1	603 00 03-79	Blind Rivet, Push Type .....	8
2	603 00 08-69	Screw, M8X1.25X30, Hex .....	1
3	****	Weldment, Dash, Front .....	1
4	603 00 10-24	Guard, Splash .....	1
5	603 00 17-59	Bolt, M10x1.50x100 (Black) .....	4
6	603 00 11-74	Washer Hard,m10 .....	7
7	603 00 13-00	Nut Flg M10 X 1.5 Mech Def .....	11
8	****	Bracket, Support, Steering .....	1
9	603 00 04-48	Bolt, M10 X 1.50 X 65 .....	7
		**** Special order item available upon request.	

**1**

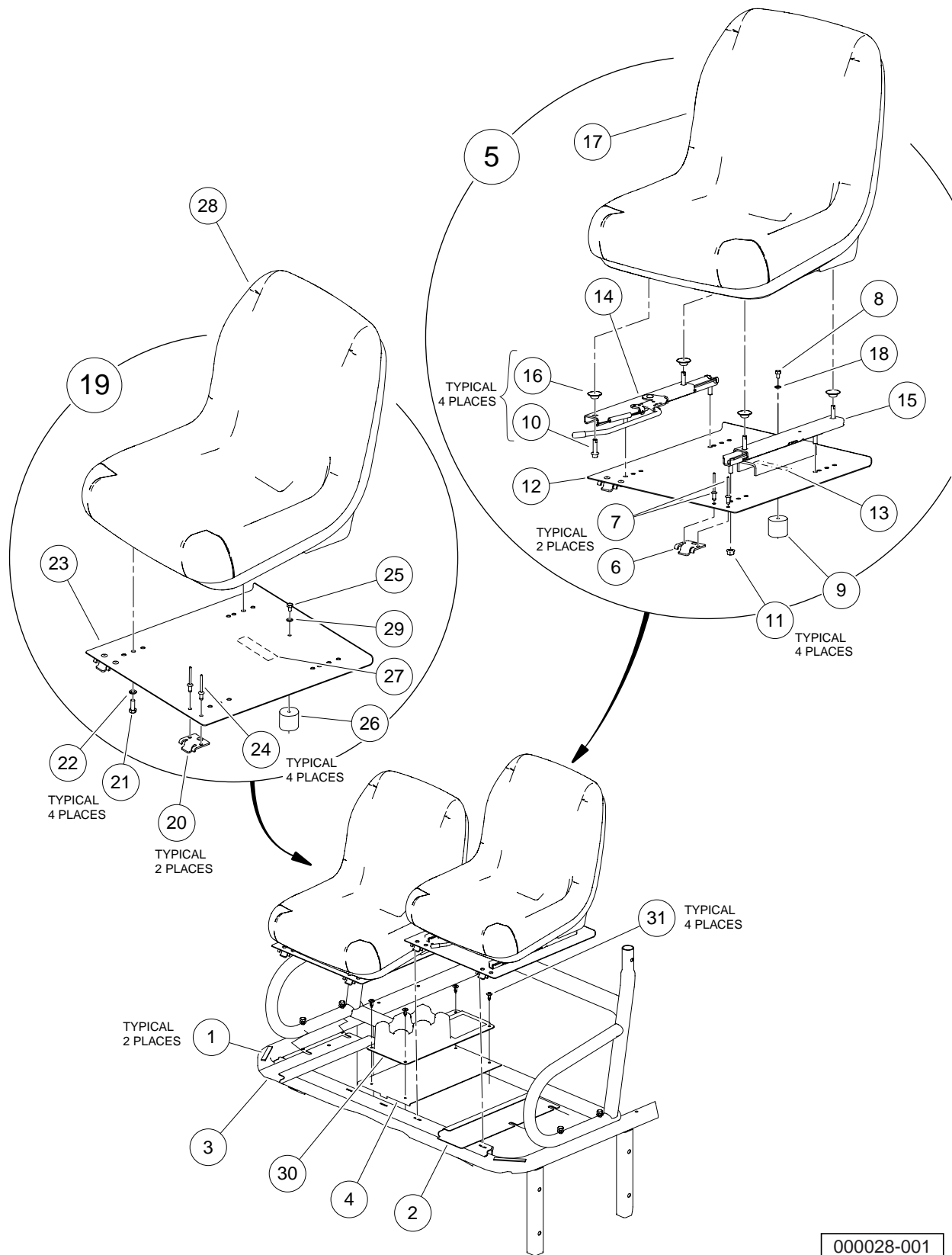
**G**

**D**

1

G

D



000028-001

# FRONT SEATS AND CUP HOLDER

ITEM	PART NO.	DESCRIPTION	QTY
		1 2 3 4	
1	603 00 02-29	Tape, Vinyl Foam 1/8" x 3/4" .....	2
2	603 00 09-98	Closeout, Driver Side .....	1
3	603 00 09-99	Closeout, Passenger Side .....	1
4	603 00 10-49	Pan, Center, Closeout .....	1
5	531 30 82-51	Asm, Bucket Seat Adjustable (includes items 6 through 18) .....	1
6	603 00 01-25	Hinge Plate .....	2
7	603 00 07-36	Rivet, 1/4 X .438 Blind .....	4
8	603 00 07-74	Screw, 6m-1.00 X 10mm Hex Head .....	1
9	603 00 07-77	Seat Holder Cup .....	1
10	603 00 08-75	Bolt, Flange Head, M8 X 30.0 .....	4
11	603 00 12-98	Nut,m8,all Metal Lock .....	4
12	603 00 10-93	Pan, Seat, Driver Asm .....	1
13	603 00 11-02	Decal, Hot Surface Warning .....	1
14	603 00 11-37	Adjuster, Forward/Aft .....	1
15	603 00 11-38	Adjuster, Slider .....	1
16	603 00 11-45	Washer, Bell .....	4
17	603 00 40-79	Seat, Bucket, Gray .....	1
18	603 00 00-58	Lockwasher, 1/4 Helical Split .....	1
19	N/A	Assembly, Bucket Seat w/Spacers (includes items 20 through 29) .....	1
20	603 00 01-25	Hinge Plate .....	2
21	603 00 05-79	Screw, M8-125 X 22 Hex-Head .....	4
22	603 00 01-84	Lockwasher, 8mm Split .....	4
23	603 00 06-89	Pan, Seat, Passenger .....	1
24	603 00 07-36	Rivet, 1/4 X .438 Blind .....	4
25	603 00 07-74	Screw, 6m-1.00 X 10mm Hex Head .....	1
26	603 00 07-77	Seat Holder Cup .....	1
27	603 00 11-02	Decal, Hot Surface Warning .....	1
28	603 00 40-79	Seat, Bucket, Gray .....	1
29	603 00 00-58	Lockwasher, 1/4 Helical Split .....	1
30	603 00 11-61	Console, Center, Drink Holder .....	1
31	603 00 06-95	Rivet, Removable, Tuflok 1/4" .....	4

1

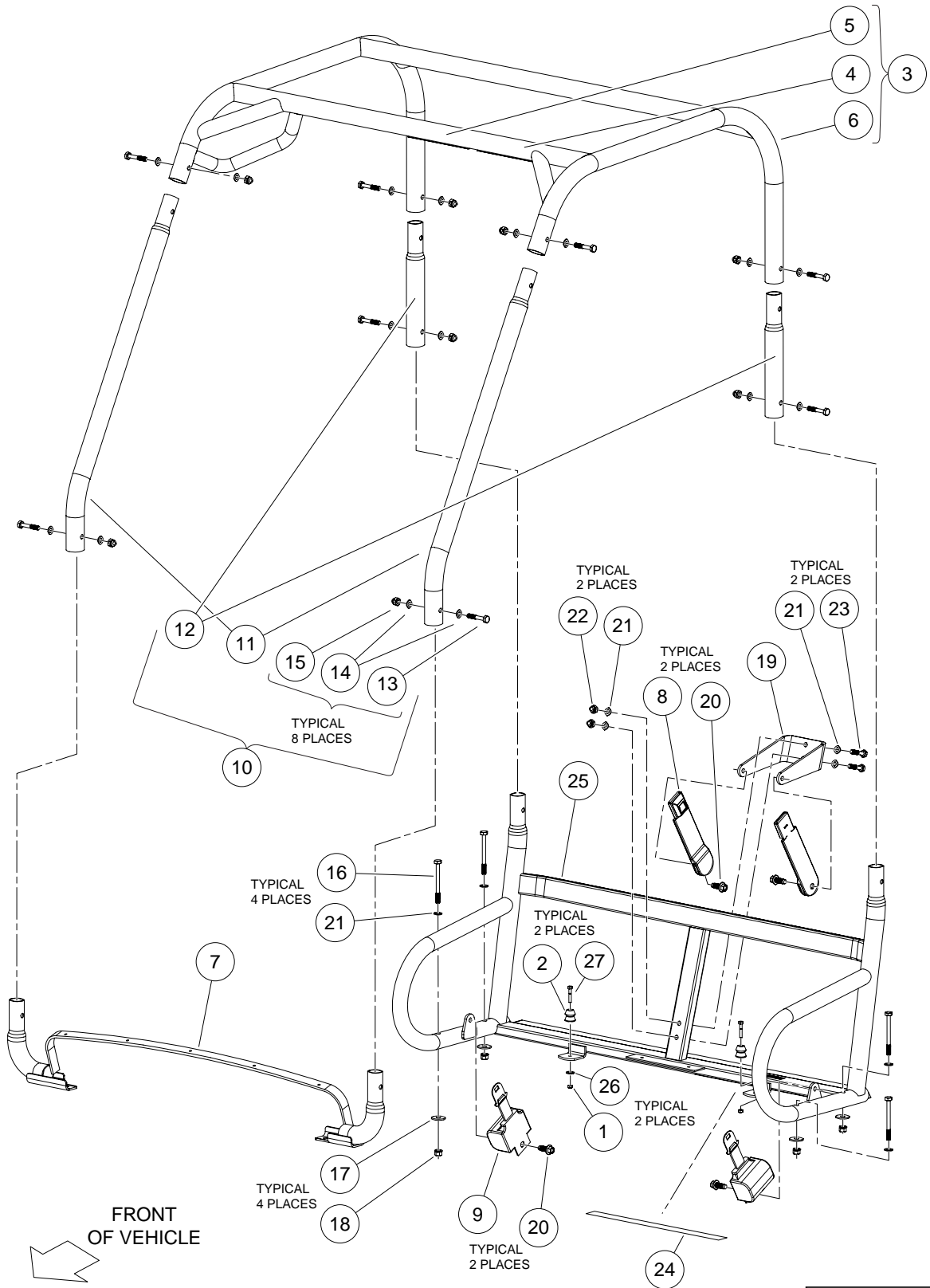
G

D

1

G

D



000029-001

# ROPS

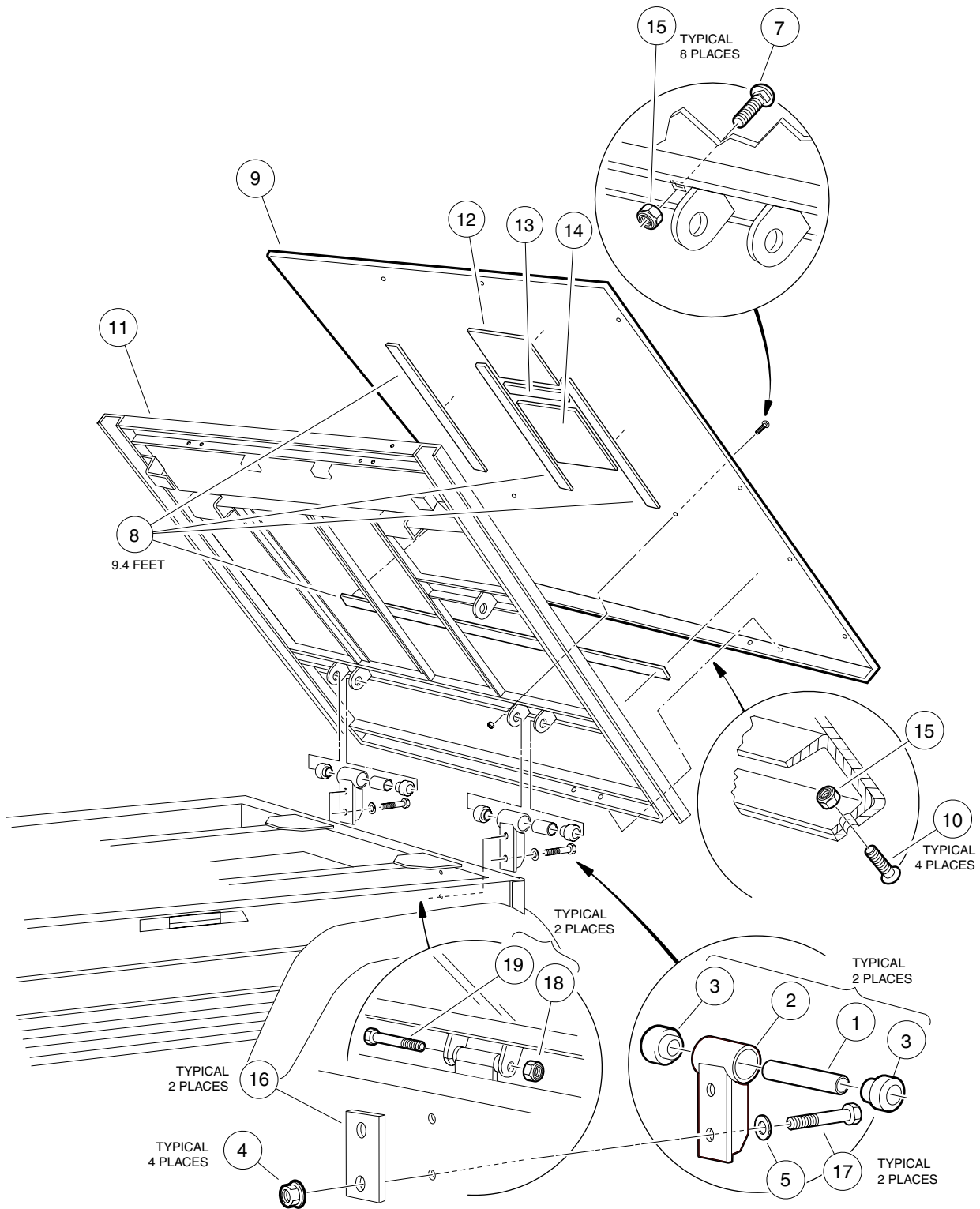
ITEM	PART NO.	DESCRIPTION	QTY
		<b>1 2 3 4</b>	
1	603 00 05-58	Locknut, M6-1.00 Nylon Insert .....	2
2	603 00 07-73	Seat Holder Base .....	2
3	603 00 09-88	Weldment, Top, ROPS (includes items 4 through 6) .....	1
4	603 00 11-06	Decal, Young Driver Warning .....	1
5	603 00 13-14	Decal, ROPS Certification/Warning .....	1
6	603 00 36-06	Weldment, ROPS, Top, Unlabeled .....	1
7	603 00 09-89	Weldment, Support, ROPS .....	1
8	603 00 10-65	Buckle, Seat Belt with Sleeve .....	2
9	603 00 10-66	Retractor, Seat Belt .....	2
10	603 00 11-60	Kit, ROPS (includes items 11 through 15) .....	1
11	603 00 09-90	Tube, Support, Front, ROPS .....	2
12	603 00 09-91	Tube, Support, Rear, ROPS .....	2
13	603 00 16-72	Bolt, M10 X 55, Zn-Ni (Black) .....	8
14	603 00 16-73	Washer, Hard, M10, Zn-Ni/Blk .....	16
15	603 00 16-74	Nut, Hex Cap, M10, Zn-Ni/Blk .....	8
16	603 00 17-59	Bolt, M10x1.50x100 (Black) .....	4
17	603 00 11-74	Washer Hard,m10 .....	4
18	603 00 13-00	Nut Flg M10 X 1.5 Mech Def .....	4
19	603 00 15-85	Bracket, Seatbelt, Bolt-On .....	1
20	603 00 15-89	Screw,m12x1.75x30 Thd Form Blk .....	4
21	603 00 16-73	Washer, Hard, M10, Zn-Ni/Blk .....	8
22	603 00 16-74	Nut, Hex Cap, M10, Zn-Ni/Blk .....	2
23	603 00 17-60	Bolt, M10 X 45, Zn-Ni (Black) .....	2
24	603 00 17-66	Barrier, Heat, Neoprene .....	1
25	603 00 09-87	Weldment, Supp, Seat, Rops .....	1
26	603 00 00-54	Washer, 1/4 Type A Narrow Flat .....	2
27	603 00 04-52	Bolt, M6 X 1 X 45 .....	2

**1**  
**G**  
**D**

1

G

D



000157-001



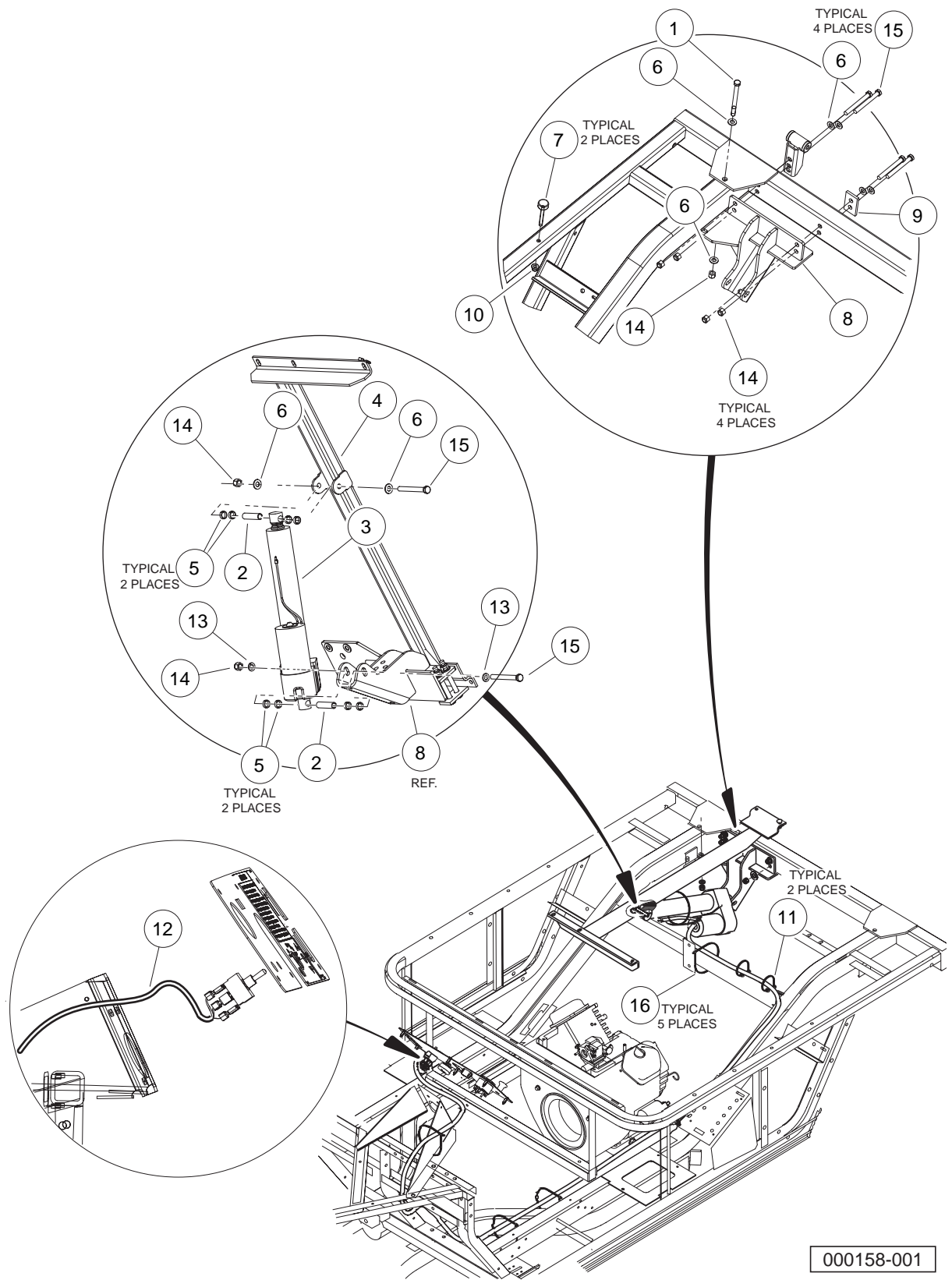
# TILT BED AND HINGE

ITEM	PART NO.	DESCRIPTION	QTY	
		1 2 3 4		<b>1</b>
1	603 00 01-36	Bushing, Steel .....	2	<b>G</b>
2	603 00 02-50	Hinge .....	2	
3	603 00 02-63	Bushing, Urethane .....	2	
4	603 00 07-80	Locknut, 3/8-16 Flanged Dimple .....	4	
5	603 00 07-81	Washer, 3/8 Type B Hard Flat .....	4	<b>D</b>
6	603 00 07-97	Assembly, Tilt Bed, Electric Lift (includes items 7 through 14) .....	1	
7	603 00 01-07	Bolt, Carriage, 5/16-18 X 1.00 .....	4	
8	603 00 02-29	Tape, Vinyl Foam 1/8" x 3/4" .....	A/R	
9	N/A	Plate, Floor Bed .....	1	
10	N/A	Frame Assembly .....	A/R	
11	603 00 02-55	Screw, 5/16-18 X 0.88 Torx Truss-Head .....	4	
12	603 00 18-12	Foam, Barrier, Heat, Bed, Frt .....	1	
13	603 00 16-04	Foam, Barrier, Heat, Bed, Rail .....	1	
14	603 00 00-78	Locknut, 5/16-18 Nylon Insert .....	8	
15	603 00 12-86	Plate, Back .....	2	
16	603 00 00-80	Bolt, 3/8-16 X 3.00 Hex Head .....	4	
17	603 00 00-95	Locknut, 3/8-16 Hex .....	2	
18	603 00 00-96	Screw, 3/8-16 X 3.375 Hex Cap .....	2	

1

G

D



000158-001

# ELECTRIC BED LIFT

ITEM	PART NO.	DESCRIPTION	QTY
		1 2 3 4	
1	603 00 01-06	Bolt, 3/8-16 X 4.25 Hex Head .....	1
2	603 00 03-65	Bushing Long .....	2
3	603 00 03-84	Actuator Assembly, Electric .....	1
4	603 00 03-85	Asm, Actuator Adapter .....	1
5	603 00 04-34	Body Spacer .....	8
6	603 00 07-81	Washer, 3/8 Type B Hard Flat .....	8
7	603 00 10-01	Bumper, Bed, Mtg, Front .....	2
8	603 00 11-27	Weldment, Bracket, Actuator .....	1
9	603 00 12-86	Plate, Back .....	1
10	603 00 13-08	Lock Nut, Flg M8 X 1.25 Nylon .....	2
11	603 00 13-27	Tie Wrap, 8.00" With Mount .....	2
12	603 00 15-95	Wire Harness, Electric Lift .....	1
13	603 00 00-56	Washer, Lock, Hel Sp 3/8 Reg .....	2
14	603 00 00-95	Locknut, 3/8-16 Hex .....	9
15	603 00 00-96	Screw, 3/8-16 X 3.375 Hex Cap .....	6
16	603 00 29-63	Tie Wrap, 8" Nylon .....	5

**1**

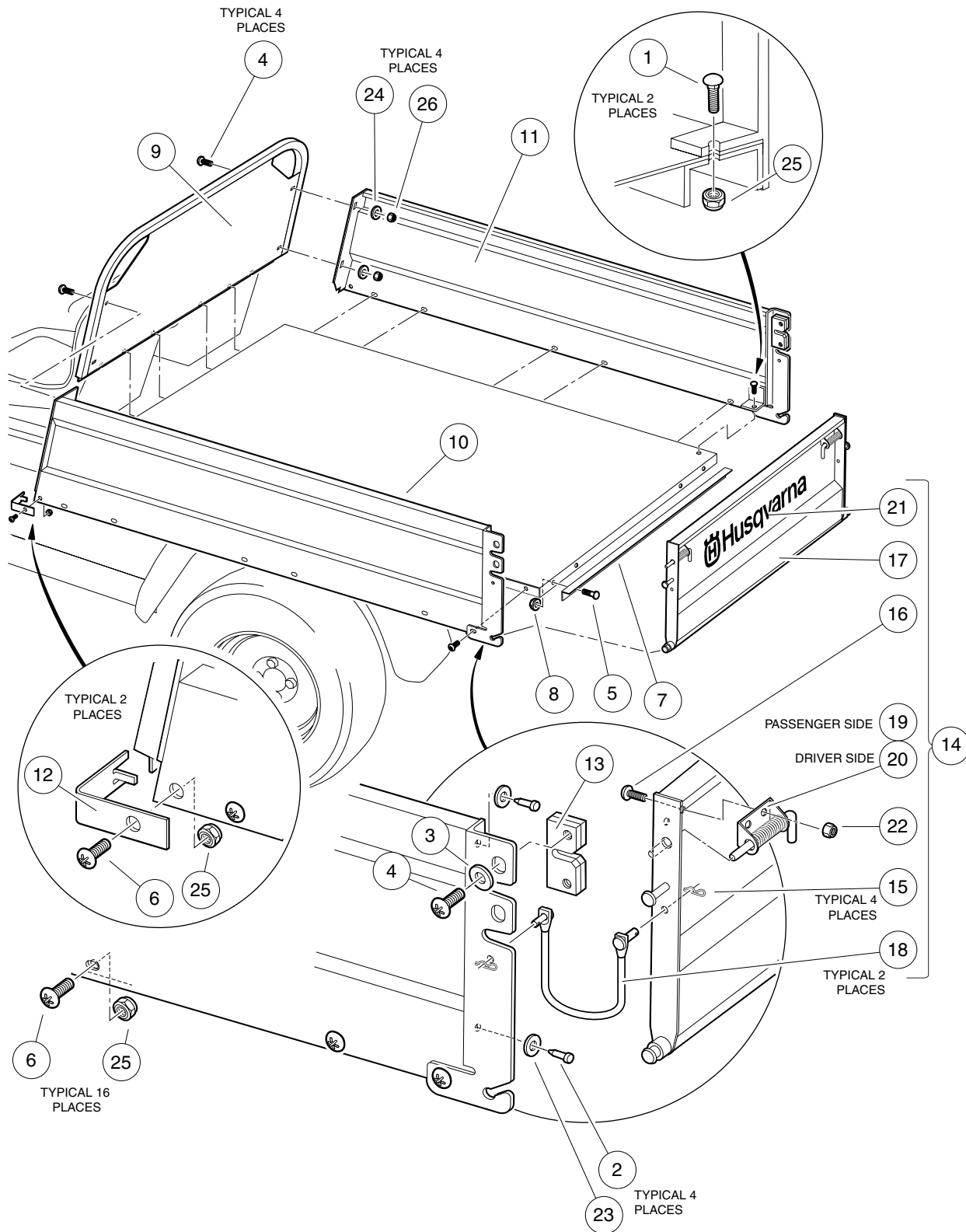
**G**

**D**

1

G

D



000038-002

# CARGO BOX

ITEM	PART NO.	DESCRIPTION	QTY
		1 2 3 4	
1	603 00 01-07	Bolt, Carriage, 5/16-18 X 1.00 .....	13
2	603 00 01-08	Bumper, Rubber .....	4
3	603 00 02-22	Washer, 1/4" Type B Flat .....	4
4	603 00 02-26	Screw, 1/4-20 X 0.75 Torx Truss-Head .....	8
5	603 00 02-32	Stud, Self-Clinching Flush Head .....	4
6	603 00 02-55	Screw, 5/16-18 X 0.88 Torx Truss-Head .....	18
7	603 00 05-73	Box Bed Tailgate Angle .....	1
8	603 00 06-16	Locknut, 5/16-18 Hex Flange .....	4
9	603 00 08-02	Front Panel Weldment .....	1
10	603 00 08-03	Left Panel Weldment .....	1
11	603 00 08-04	Right Panel Weldment .....	1
12	603 00 08-05	Front Corner Cap .....	2
13	603 00 08-07	Slam Latch .....	2
14	603 00 08-13	Assembly, Tailgate (includes items 15 through 22) .....	1
15	603 00 01-72	Hair Pin Clip .....	4
16	603 00 02-26	Screw, 1/4-20 X 0.75 Torx Truss-Head .....	4
17	N/A	Tailgate, Weldment .....	1
18	603 00 08-06	Tether Assembly .....	2
19	603 00 08-08	Spring Latch Left .....	1
20	603 00 08-09	Spring Latch Right .....	1
21	603 00 17-92	Decal, Husqvarna, Tailgate .....	1
22	603 00 00-89	Locknut, 1/4-20 Nylon Insert .....	4
23	603 00 08-16	Washer, Rubber, 3/8 .....	4
24	603 00 00-54	Washer, 1/4 Type A Narrow Flat .....	4
25	603 00 00-78	Locknut, 5/16-18 Nylon Insert .....	31
26	603 00 00-89	Locknut, 1/4-20 Nylon Insert .....	4

1

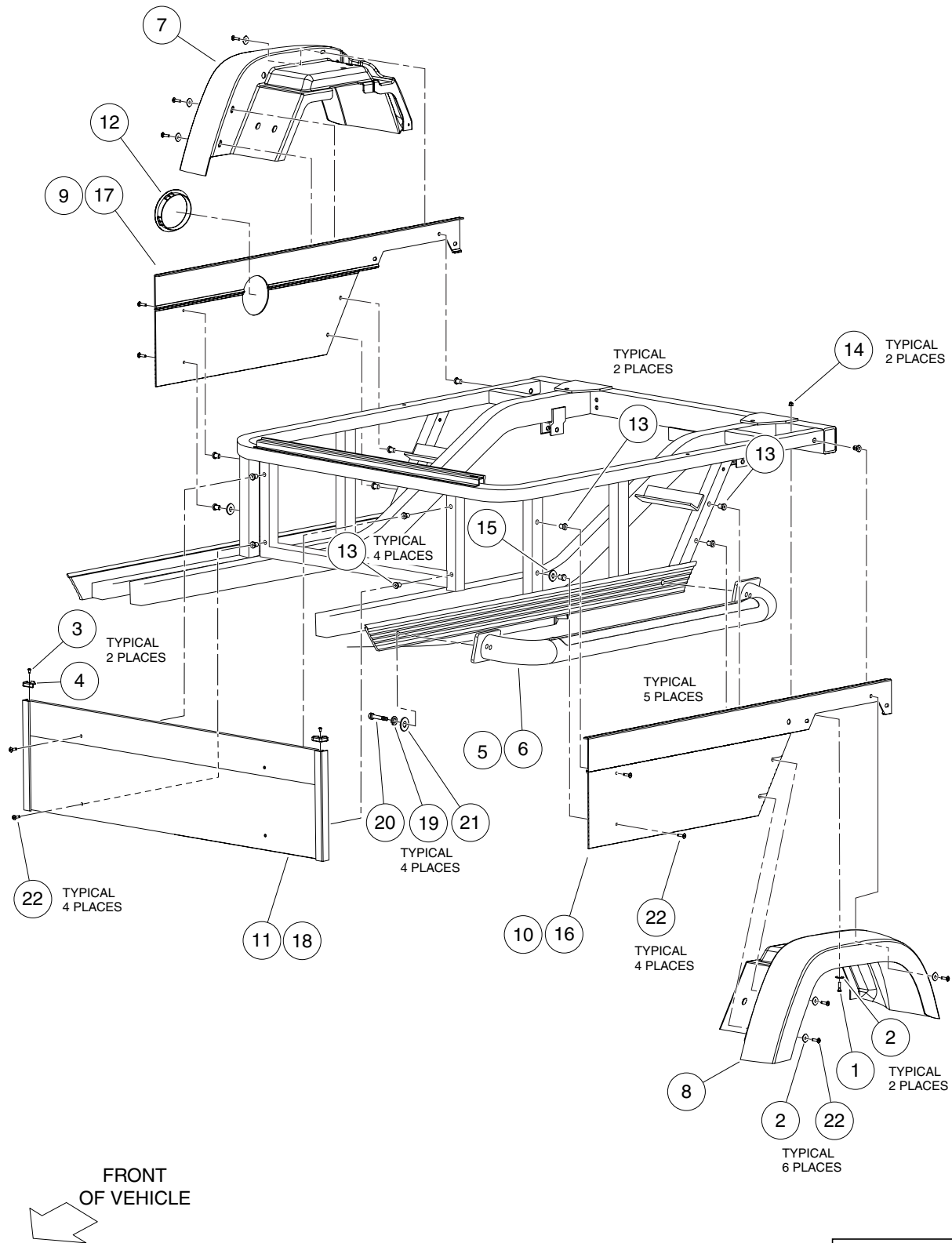
G

D

1

G

D



000150-001

# REAR BODY TRIM

ITEM	PART NO.	DESCRIPTION	QTY
		1 2 3 4	
1	603 00 01-57	Screw, M6-1.00 X 25mm Hex Cap .....	2
2	603 00 02-22	Washer, 1/4" Type B Flat .....	8
3	603 00 02-23	Screw, #10 Truss-Head Torx .....	2
4	603 00 04-58	Corner Cap AWD .....	2
5	603 00 06-93	Side Step Bar (black) .....	2
6	603 00 06-94	Side Step Bar (orange) .....	2
7	603 00 26-90	Fender, Right Rear .....	1
8	603 00 26-91	Fender, Left Rear .....	1
9	603 00 10-85	Assembly, Panel (Passenger Side) .....	1
10	603 00 10-86	Assembly, Panel (Driver Side) .....	1
11	603 00 10-87	Panel, Front .....	1
12	603 00 11-29	Bezel, Fuel Fill .....	1
13	603 00 11-76	Well Nut 1/4-20 .....	14
14	603 00 13-17	Nut Flg, M6 X 1.0 Nylon .....	2
15	603 00 15-99	Washer, M12 Hard Regular .....	2
16	603 00 17-74	Panel, Side, Driver, Steel .....	1
17	603 00 17-75	Panel, Side, Passenger, Steel .....	1
18	603 00 17-76	Panel, Front, Steel .....	1
19	603 00 00-56	Washer, Lock, Hel Sp 3/8 Reg .....	4
20	603 00 00-80	Bolt, 3/8-16 X 3.00 Hex Head .....	4
21	603 00 36-17	Washer, 3/8 Type B Flat .....	4
22	603 00 00-91	Screw, 1/4-20 X 1.0 Truss-Head Machine .....	14

1

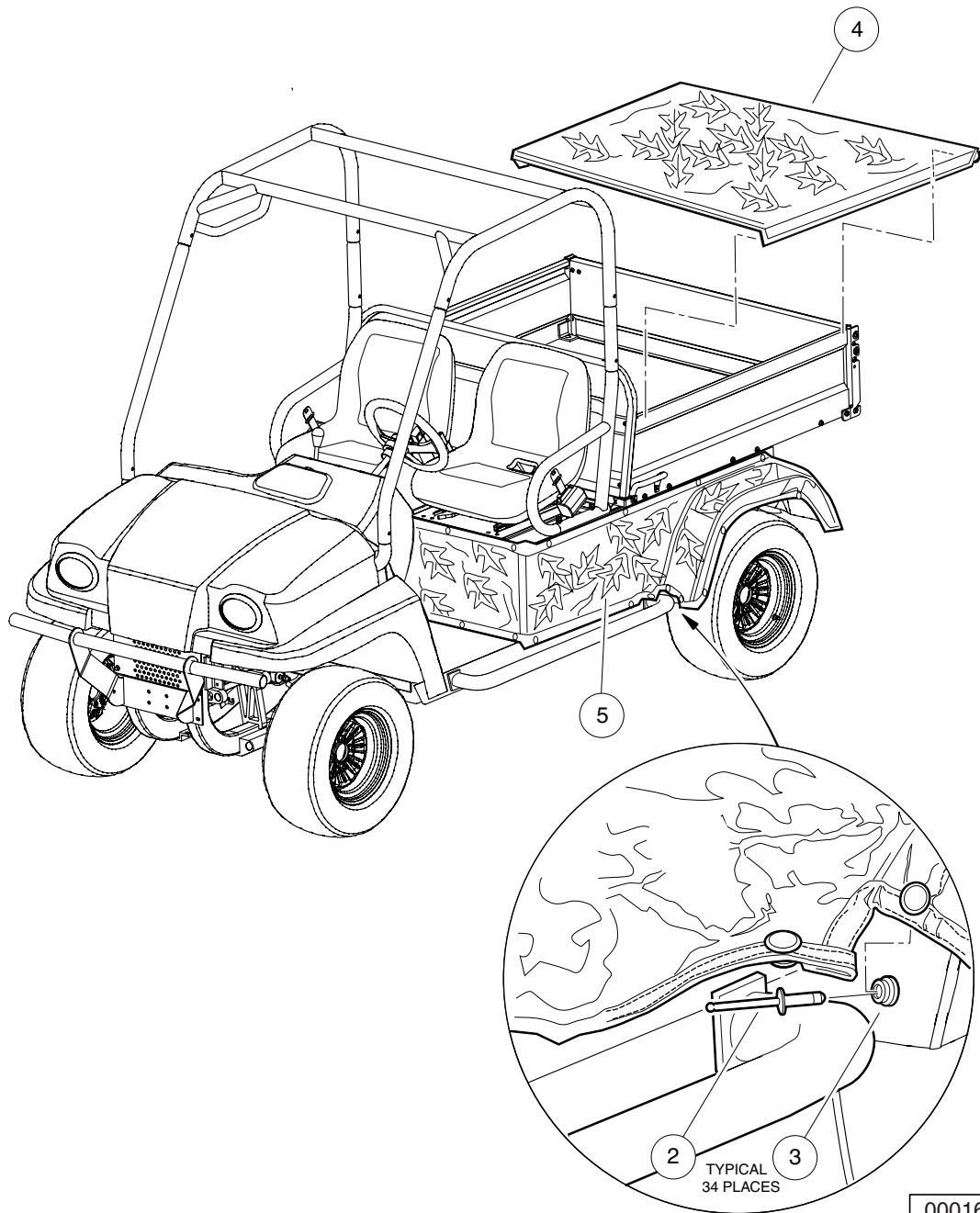
G

D

1

G

D





# CAMOUFLAGE COVERS

ITEM	PART NO.	DESCRIPTION	QTY
		1 2 3 4	
1	603 00 00-45	Kit, Camouflage Cover (includes items 2 through 5) .....	1
2	N/A	Rivet, 0.125" Dia. ....	34
3	N/A	Snap, Male Button, 7/16" .....	34
4	603 00 00-26	Cover, Camouflage Cargo Box (Forest Floor Pattern) .....	1
5	531 30 10-26	Wrap, Camouflage Rear Body (Forest Floor Pattern) .....	1

**1**

**G**

**D**

**1**

**G**

**D**

# WHEELS AND TIRES

---

2

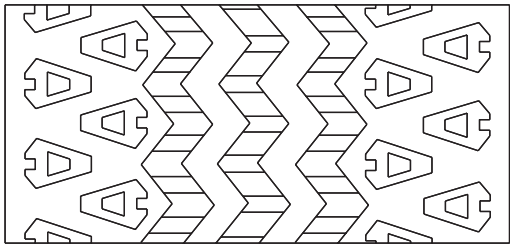
G

D

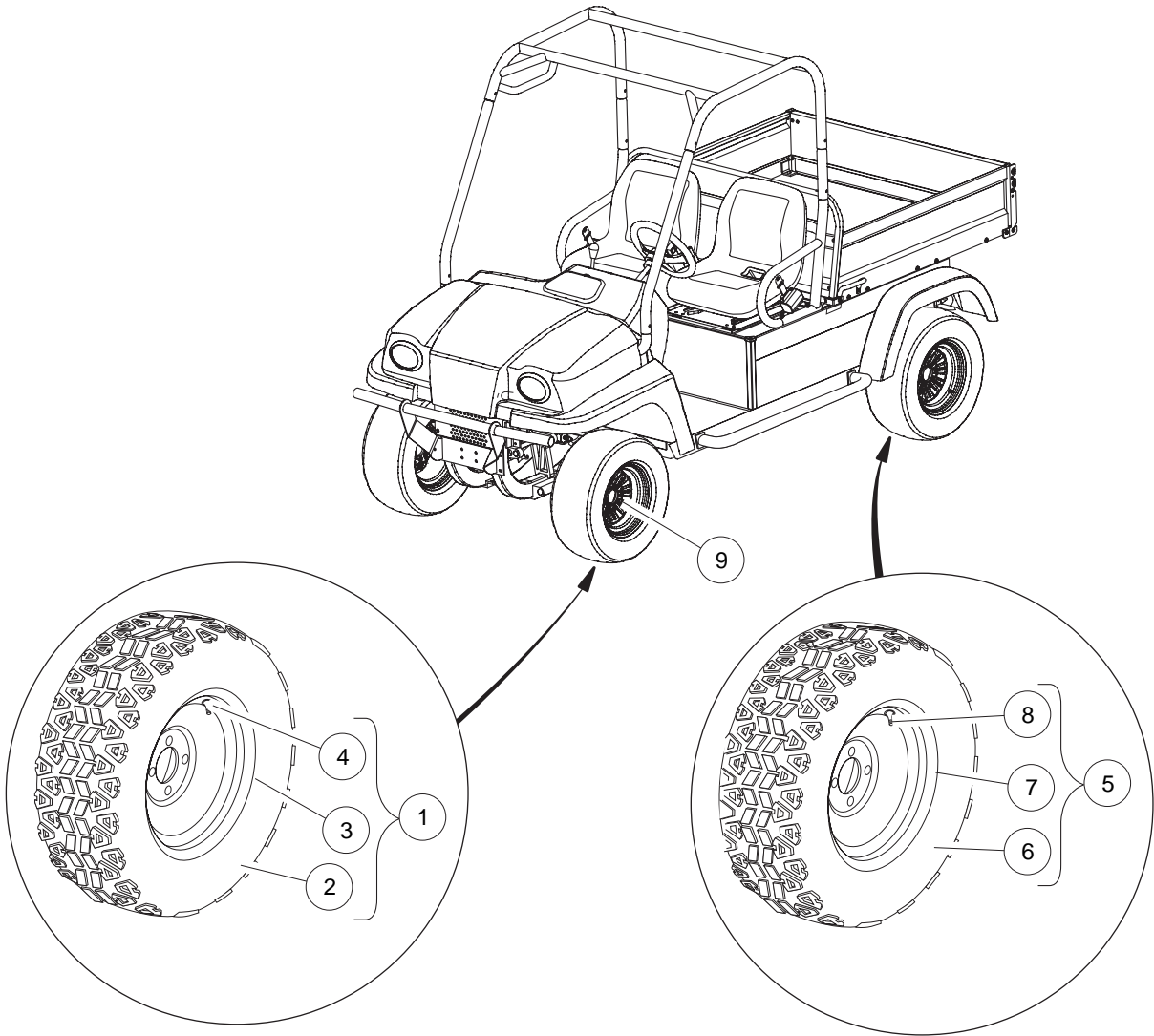
2

G

D



ALL TERRAIN TREAD  
"ALL TRAIL"



000162-001

# WHEELS AND TIRES, ALL-TERRAIN TREAD

ITEM	PART NO.	DESCRIPTION	QTY
		1 2 3 4	
1	603 00 06-70	Gray Tire Assembly, HDAT, 8-Inch (includes items 2 through 4) .....	2
2	603 00 06-67	HDAT Tire, 8" .....	1
3	603 00 00-32	Wheel, Indus Spider, Gray .....	1
4	603 00 00-33	Valve Stem .....	1
5	603 00 06-71	Gray Tire Assembly, HDAT 10.5-Inch (includes items 6 through 8) .....	2
6	603 00 06-65	Tire, HDAT .....	1
7	603 00 00-32	Wheel, Indus Spider, Gray .....	1
8	603 00 00-33	Valve Stem .....	1
9	603 00 00-34	Nut, Lug, 1/2-20 SAE J2283 .....	16

**2**

**G**

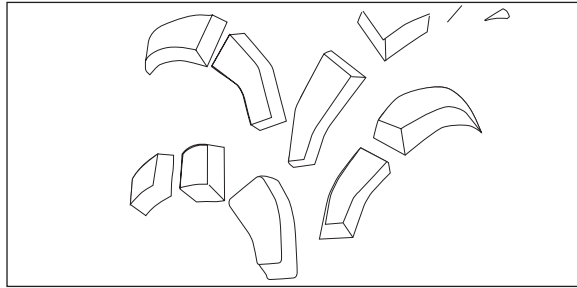
**D**

2

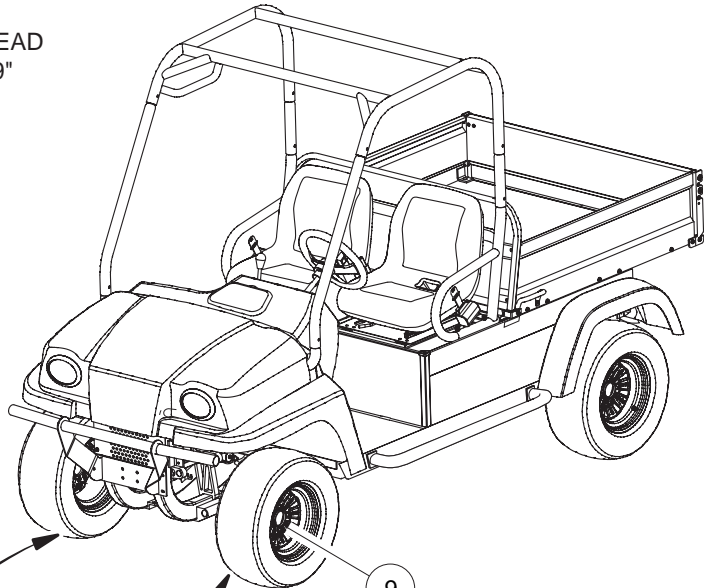
G

D

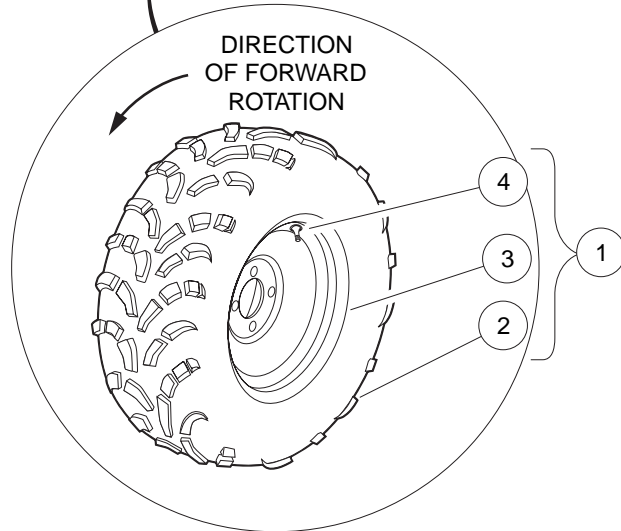
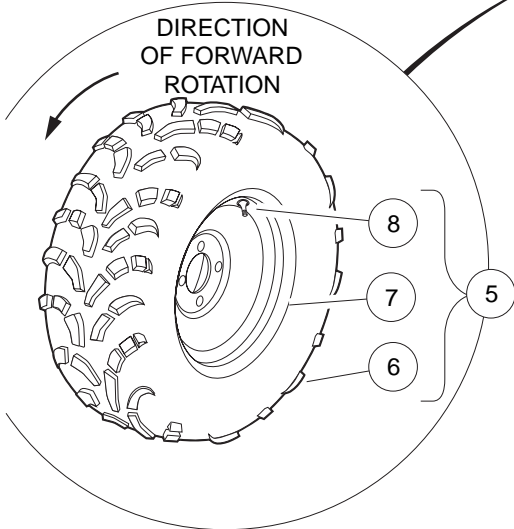
DIRECTION OF FORWARD ROTATION



MUD TREAD "AT489"



9



000177-001

# WHEELS AND TIRES, MUD TREAD

ITEM	PART NO.	DESCRIPTION	QTY
		1 2 3 4	
1	603 00 00-30	Gray Tire Assembly, AT489 LH (includes items 2 through 4) .....	2
2	603 00 00-31	Tire, AT489 .....	1
3	603 00 00-32	Wheel, Indus Spider, Gray .....	1
4	603 00 00-33	Valve Stem .....	1
5	603 00 06-72	Gray Tire Assembly, AT489 RH (includes items 6 through 8) .....	2
6	603 00 00-31	Tire, AT489 .....	1
7	603 00 00-32	Wheel, Indus Spider, Gray .....	1
8	603 00 00-33	Valve Stem .....	1
9	603 00 00-34	Nut, Lug, 1/2-20 SAE J2283 .....	16

**2**

**G**

**D**

**2**

**G**

**D**



# DECALS

---

3

G

D

**3**  
**G**

**D**

**UNDER 16**

**WARNING**  
YOUNG DRIVERS INCREASE CHANCE OF DEATH

- Young drivers may not be able to control vehicle.
- No drivers younger than 16 years old.
- Do not leave children unattended on vehicle. CCI 102682301

**WARNING**  
ROLLOVER OR FALLING OFF MAY CAUSE DEATH

- Read owner's manual and operating instructions.
- Fasten seat belts and remain seated while moving.
- Children requiring a child safety seat must not ride on vehicle. Comply with state and local laws pertaining to child safety.
- Drive slowly in turns and straight up and down slopes.
- Do not start vehicle until all occupants are seated.
- Front seats: One (1) person per seat maximum.
- Operate from driver side only and not on public roads.
- Keep entire body inside vehicle while moving.
- Do not operate while under the influence of alcohol or drugs.
- Never attempt jumps and avoid extremely hard braking in reverse.

OFF ON START

F N R

CCI 1027301

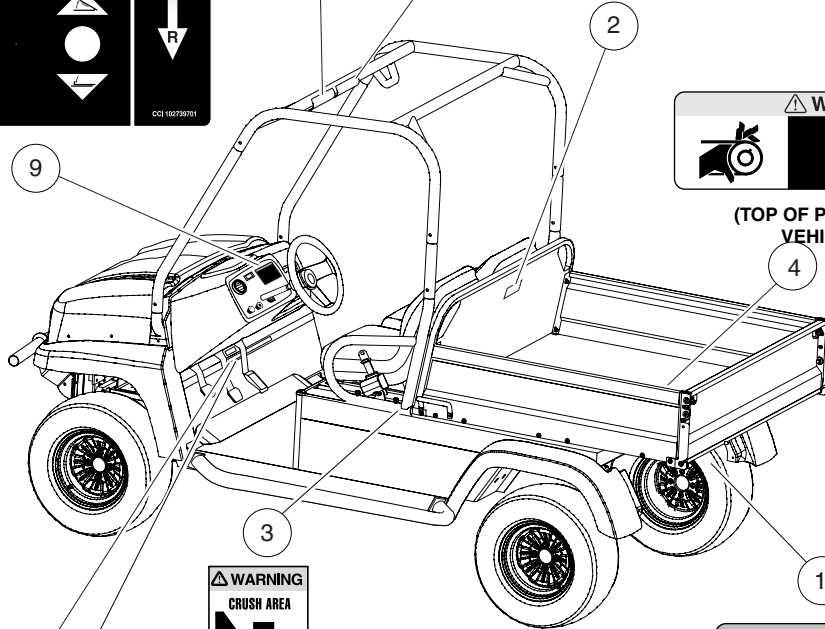
Club Car, Inc  
Augusta, Georgia, USA  
Roll-over Protective Structure (ROPS)  
ROPS per ISO 3471, SAE J1040,  
AS 2294.1, and CSA B352.2  
Certified for vehicle models: Carryall 294,  
XRT 1500, HUV4420, and Bobcat 2200  
(Max. unladen vehicle mass: 2094 lb (950 kg))

**WARNING**

- Do not modify or remove Roll-over Protective Structure (ROPS).
- Replace ROPS if damaged. Do not attempt repair.
- Use seat belts during operation. Do not jump from vehicle.
- Keep away from drop-offs, steep slopes, and unstable surfaces. CCI 102621101

**WARNING**  
Riding in cargo bed can cause severe injury or death. Do not ride in cargo bed. CCI 101553901

**WARNING**  
Rotating Parts CCI 102226001



**WARNING**  
CRUSH AREA  
STAY CLEAR CCI 101609401

**NOTICE**  
MAXIMUM TONGUE WEIGHT - 150 lbs. CCI 1011553  
(ON REAR RECEIVER HITCH)

**VEHICLE LOADING**  
Read owner's manual and warnings on dash.

- Maximum gross vehicle weight: 2750 lb. (1247 kg)
- Maximum cargo load: 800 lb. (363 kg)
- Includes cargo bed load and gross trailer weight.
- Maximum cargo load is reduced by the weight of optional equipment.
- Maximum trailer hitch tongue weight: 150 lb. force (667 N).

**PREVENT VEHICLE ROLL-OVER.**

- Place cargo forward in the cargo bed and distribute evenly side to side. Secure load.
- On uneven or steep terrain reduce speed and load. Avoid stopping on or backing down steep hills.
- Avoid top heavy loads. See owner's manual. CCI 102682301

(STANDARD VEHICLE)

**HIGH-CAPACITY VEHICLE LOADING**  
Read owner's manual and warnings on dash.

- Maximum gross vehicle weight: 3012 lb. (1366 kg)
- Maximum cargo load: 1050 lb. (476 kg)
- Includes cargo bed load and gross trailer weight.
- Maximum cargo load is reduced by the weight of optional equipment.
- Maximum trailer hitch tongue weight: 150 lb. force (667 N).

**PREVENT VEHICLE ROLL-OVER.**

- Place cargo forward in the cargo bed and distribute evenly side to side. Secure load.
- On uneven or steep terrain reduce speed and load. Avoid stopping on or backing down steep hills.
- Avoid top heavy loads. See owner's manual. CCI 102459601

(HIGH CAPACITY OPTION)

000170-001

# SAFETY DECALS, GASOLINE DECALS

ITEM	PART NO.	DESCRIPTION	QTY
		1 2 3 4	
1	603 00 01-23	Decal, Trailer Hitch .....	1
2	603 00 04-63	Decal, Bed Load Warning .....	1
3	603 00 04-66	Decal, Crush Area Warning .....	2
4	603 00 08-11	Decal, Rotating Parts Warning .....	1
5	603 00 11-06	Decal, Young Driver Warning .....	1
6	603 00 11-08	Decal, Vehicle Loading, High-Capacity .....	1
7	603 00 13-14	Decal, ROPS Certification/Warning .....	1
8	603 00 15-96	Decal, Vehicle Loading, Standard Capacity .....	1
9	603 00 17-67	Decal, Warning, Gasoline Instrument Panel .....	1

**3**

**G**

**D**



**WARNING**

- GASOLINE EXPLOSION / FIRE.
- CAN CAUSE SEVERE INJURY OR DEATH.
- NO SMOKING, SPARKS, OR OPEN FLAME.
- STOP ENGINE, ALLOW TO COOL BEFORE REFUELING.
- TURN FUEL VALVE (  ) ON DURING OPERATION.
- (  ) OFF DURING STORAGE OR TRANSPORT. CCI 101547601


(ON PASSENGER SIDE SEAT SUPPORT)

1



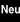
**OPERATING INSTRUCTIONS**

- Read owner's manual and vehicle safety warnings. Study and understand controls.

**TO START ENGINE**

- Place shift lever in Neutral (  ) position and press brake pedal.
- Turn key to "START" position and hold until engine starts.

**TO OPERATE VEHICLE**

- Make sure wheels are turned in desired direction and nothing is in your path.
- Engine must be at idle before moving shift lever.
- While vehicle is stopped, and the engine is at idle, select shift lever position.
-  - Forward    - Neutral    - Reverse (Buzzer will sound)
- Release park brake and slowly press accelerator pedal to increase speed.
- All-wheel drive will automatically drive appropriate wheel(s) as required.

**TO STOP VEHICLE**

- Release accelerator pedal and push brake pedal. After stopping, firmly set park brake.
- Turn key to "OFF" position, remove key and place shift lever in neutral position when not in use.

CCI 102455001

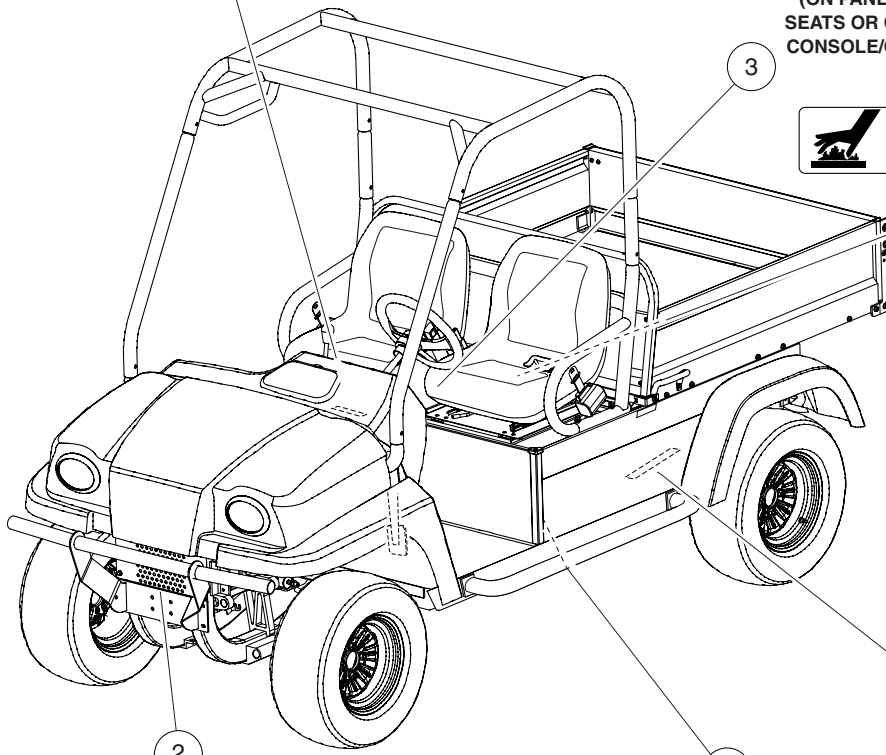
(ON PANEL BETWEEN SEATS OR ON OPTIONAL CONSOLE/CUP HOLDER)



**WARNING**  
CAN CAUSE SEVERE BURNS  
Hot Surface  
CCI 102458901


(ON UNDERSIDE OF EACH SEAT AND ON CROSSBAR BEHIND SEATS)

4



2

(FOR VEHICLES WITH WINCH ACCESSORY)



**WARNING**

WINCH CABLE FRACTURE COULD RESULT IN SERIOUS INJURY OR DEATH.

- Do not use winch while persons are seated on the vehicle.
- Use remote operation switch for winch control.
- Stand to the side and away from the vehicle to operate winch.
- Read winch operator manual before operating winch.

102231601

(ON FRONT BODY)

(ON VEHICLE FRAME)



**WARNING**

Negative frame ground. Can cause severe injury. Do not contact positive (+) battery post or cable to frame. Disconnect negative (-) battery cable first.

CCI 102458101

5

(ON DRIVER-SIDE VEHICLE FRAME)

6

 <p><b>WARNING</b> CAN CAUSE SEVERE INJURY Rotating parts. KEEP CLEAR.</p>	 <p><b>WARNING</b> CAN CAUSE SEVERE INJURY Hot manifold and muffler. KEEP CLEAR.</p> <p>CCI 102459501</p>
---	---

000171-001

# SAFETY DECALS, GASOLINE VEHICLES, CONTINUED

ITEM	PART NO.	DESCRIPTION	QTY
		1 2 3 4	
1	603 00 04-62	Decal, Gasoline Explosion/Fire Warning .....	1
2	603 00 08-14	Decal, Winch Cable Fracture Warning .....	1
3	603 00 10-90	Decal, Operating Instructions, Gasoline .....	1
4	603 00 11-02	Decal, Hot Surface Warning .....	3
5	603 00 11-04	Decal, Frame Ground Warning .....	1
6	603 00 11-07	Decal, Rotating Parts and Hot Exhaust Warning .....	1

**3**

**G**

**D**

**3**  
**G**

**D**

**UNDER 16**

**WARNING**  
YOUNG DRIVERS INCREASE CHANCE OF DEATH

- Young drivers may not be able to control vehicle.
- No drivers younger than 16 years old.
- Do not leave children unattended on vehicle.

CCI 10349401

**WARNING**  
ROLLOVER OR FALLING OFF MAY CAUSE DEATH

- Read owner's manual and operating instructions.
- Fasten seat belts and remain seated while moving.
- Children requiring a child safety seat must not ride on vehicle. Comply with state and local laws pertaining to child safety.
- Drive slowly in turns and straight up and down slopes.
- Do not start vehicle until all occupants are seated.
- Front seats: One (1) person per seat maximum.
- Operate from driver side only and not on public roads.
- Keep entire body inside vehicle while moving.
- Do not operate while under the influence of alcohol or drugs.
- Never attempt jumps and avoid extremely hard braking in reverse.

PREHEAT OFF ON START

F  
N  
R

CCI 10275801

**WARNING**

Club Car, Inc.  
Augusta, Georgia, USA  
Roll-over Protective Structure (ROPS)  
ROPS per ISO 3471, SAE J1040,  
AS 2294.1, and CSA B352.2  
Certified for vehicle models: Carryall 294,  
XRT 1500, HUV4420, and Bobcat 2200  
Max. unladen vehicle mass: 2084 lb (950 kg)

- Do not modify or remove Roll-over Protective Structure (ROPS).
- Replace ROPS if damaged. Do not attempt repair.
- Use seat belts during operation. Do not jump from vehicle.
- Keep away from drop-offs, steep slopes, and unstable surfaces.

CCI 10262101

**WARNING**  
Riding in cargo bed can cause severe injury or death. Do not ride in cargo bed.

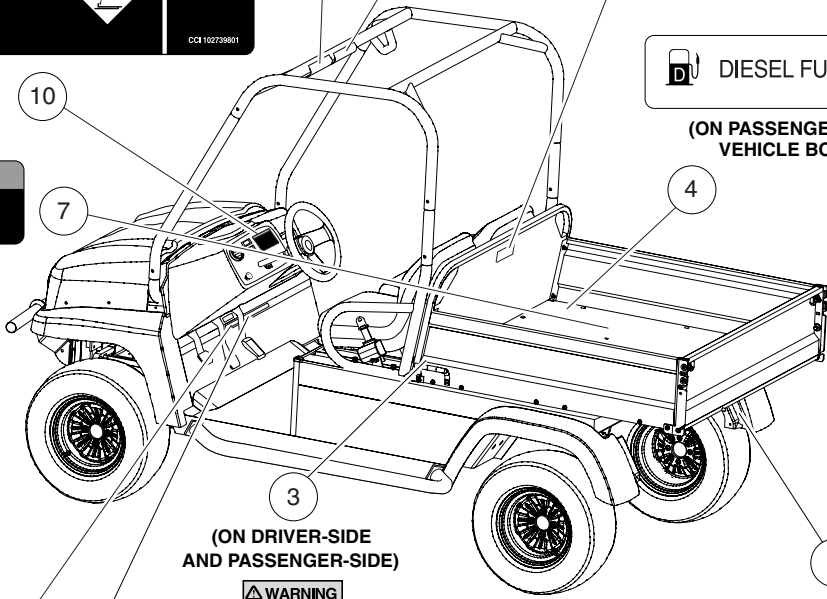
CCI 101553801

**DIESEL FUEL ONLY**  
CCI 102458801  
(ON PASSENGER-SIDE VEHICLE BODY)

**WARNING**  
CAN CAUSE SEVERE INJURY  
Rotating parts, KEEP CLEAR.

CCI 1

(TOP OF PASSENGER-SIDE VEHICLE FRAME)



(ON DRIVER-SIDE AND PASSENGER-SIDE)

**WARNING**  
CRUSH AREA  
STAY CLEAR  
CCI 101609401

**NOTICE**  
MAXIMUM TONGUE WEIGHT - 150 lbs.  
CCI 1011553

**VEHICLE LOADING**  
Read owner's manual and warnings on dash.

- Maximum gross vehicle weight: 2750 lb. (1247 kg)
- Maximum cargo load: 800 lb. (363 kg)
- Includes cargo bed load and gross trailer weight.
- Maximum cargo load is reduced by the weight of optional equipment.
- Maximum trailer hitch tongue weight: 150 lb. force (667 N).

**PREVENT VEHICLE ROLL-OVER.**

- Place cargo forward in the cargo bed and distribute evenly side to side. Secure load.
- On uneven or steep terrain reduce speed and load. Avoid stopping on or backing down steep hills.
- Avoid top heavy loads. See owner's manual.

CCI 102662301

(STANDARD VEHICLE)

**HIGH-CAPACITY VEHICLE LOADING**  
Read owner's manual and warnings on dash.

- Maximum gross vehicle weight: 3012 lb. (1366 kg)
- Maximum cargo load: 1050 lb. (476 kg)
- Includes cargo bed load and gross trailer weight.
- Maximum cargo load is reduced by the weight of optional equipment.
- Maximum trailer hitch tongue weight: 150 lb. force (667 N).

**PREVENT VEHICLE ROLL-OVER.**

- Place cargo forward in the cargo bed and distribute evenly side to side. Secure load.
- On uneven or steep terrain reduce speed and load. Avoid stopping on or backing down steep hills.
- Avoid top heavy loads. See owner's manual.

CCI 102459601

(HIGH CAPACITY OPTION)

000172-001

# SAFETY DECALS, DIESEL VEHICLES

ITEM	PART NO.	DESCRIPTION	QTY
		1 2 3 4	
1	603 00 01-23	Decal, Trailer Hitch .....	1
2	603 00 04-63	Decal, Bed Load Warning .....	1
3	603 00 04-66	Decal, Crush Area Warning .....	2
4	603 00 11-01	Decal, Diesel Fuel Only .....	1
5	603 00 11-06	Decal, Young Driver Warning .....	1
6	603 00 11-08	Decal, Vehicle Loading, High-Capacity .....	1
7	603 00 11-09	Decal, Rotating Parts Warning .....	1
8	603 00 13-14	Decal, ROPS Certification/Warning .....	1
9	603 00 15-96	Decal, Vehicle Loading, Standard Capacity .....	1
10	603 00 17-68	Decal, Warning, Diesel Instrument Panel .....	1

**3**

**G**

**D**

3

G

D

**WARNING**

**DIESEL FUEL EXPLOSION / FIRE.**

- Can cause severe injury or death.
- No smoking, sparks, or open flame.
- Stop engine, allow to cool before refueling.

CCI 102459201

(ON PASSENGER-SIDE SEAT SUPPORT)

**OPERATING INSTRUCTIONS**

- Read owner's manual and vehicle safety warnings. Study and understand controls.

**TO START ENGINE**

- Place shift lever in Neutral (N) position and press brake pedal.
- To preheat glow plugs, turn key to "PREHEAT" position and hold for 10-15 seconds.
- Turn key to "START" position and hold until engine starts.

**TO OPERATE VEHICLE**

- Make sure wheels are turned in desired direction and nothing is in your path.
- Engine must be at idle before moving shift lever.
- While vehicle is stopped, and the engine is at idle, select shift lever position.
- - Forward - Neutral - Reverse (Buzzer will sound)
- Release park brake and slowly press accelerator pedal to increase speed.
- All-wheel drive will automatically drive appropriate wheel(s) as required.

**TO STOP VEHICLE**

- Release accelerator pedal and push brake pedal. After stopping, firmly set park brake.
- Turn key to "OFF" position, remove key and place shift lever in neutral position when not in use.

CCI 102459101

(ON PANEL BETWEEN SEATS OR ON OPTIONAL CONSOLE/ CUP HOLDER)

**WARNING**

**CAN CAUSE SEVERE INJURY**

Rotating parts. KEEP CLEAR.

CCI 102460201

**WARNING**

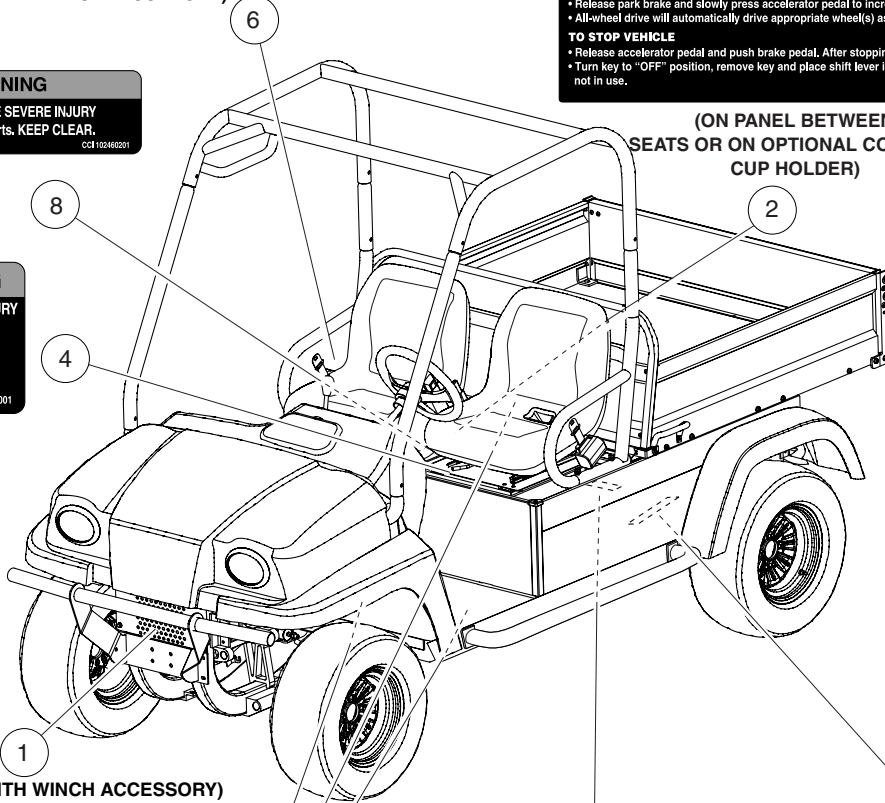
**CAN CAUSE SEVERE INJURY**

**HOT manifold**

KEEP CLEAR

CCI 102459001

(ON ENGINE VALVE COVER)



(FOR VEHICLES WITH WINCH ACCESSORY)

**WARNING**

**WINCH CABLE FRACTURE COULD RESULT IN SERIOUS INJURY OR DEATH.**

- Do not use winch while persons are seated on the vehicle.
- Use remote operation switch for winch control.
- Stand to the side and away from the vehicle to operate winch.
- Read winch operator manual before operating winch.

102231601

(ON FRONT BODY)

(ON VEHICLE FRAME NEAR BATTERY)

**WARNING**

**Negative frame ground. Can cause severe injury. Do not contact positive (+) battery post or cable to frame. Disconnect negative (-) battery cable first.**

CCI 102459101

**WARNING**

**CAN CAUSE SEVERE BURNS**

Hot Surface

CCI 102458901

(ON COOLANT PIPES, UNDERSIDE OF EACH SEAT, AND CROSSBAR BEHIND SEATS)

(ON DRIVER-SIDE VEHICLE FRAME)

	<b>WARNING</b> CAN CAUSE SEVERE INJURY Rotating parts. KEEP CLEAR.		<b>WARNING</b> CAN CAUSE SEVERE INJURY Hot manifold and muffler. KEEP CLEAR.
--	--	--	--

CCI 102459501

000173-001



# SAFETY DECALS, DIESEL VEHICLES, CONTINUED

ITEM	PART NO.	DESCRIPTION	QTY
		1 2 3 4	
1	603 00 08-14	Decal, Winch Cable Fracture Warning .....	1
2	603 00 10-91	Decal, Operating Instructions, Diesel .....	1
3	603 00 11-02	Decal, Hot Surface Warning .....	5
4	603 00 11-03	Decal, Hot Manifold Warning .....	1
5	603 00 11-04	Decal, Frame Ground Warning .....	1
6	603 00 11-05	Decal, Diesel Explosion/Fire Warning .....	1
7	603 00 11-07	Decal, Rotating Parts and Hot Exhaust Warning .....	1
8	603 00 11-09	Decal, Rotating Parts Warning .....	1

3

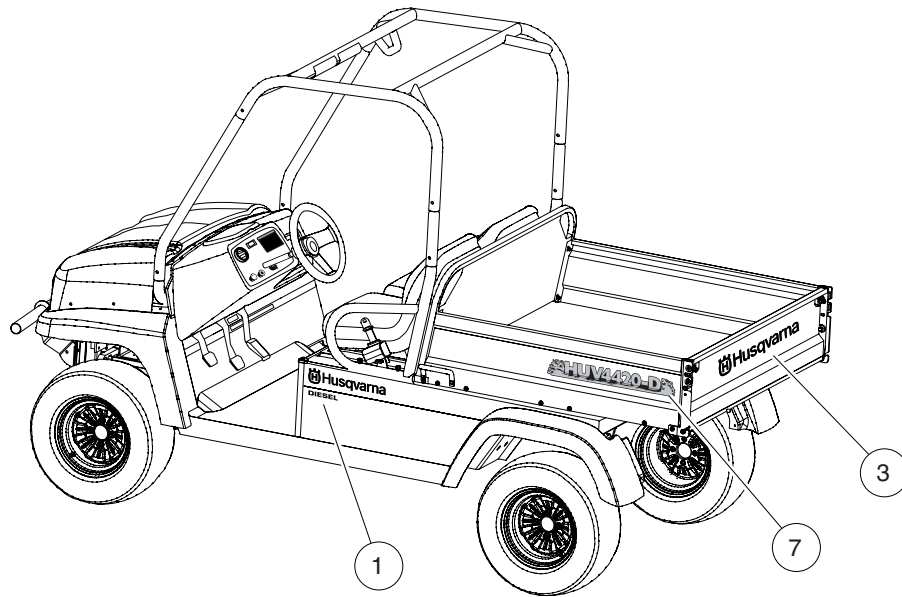
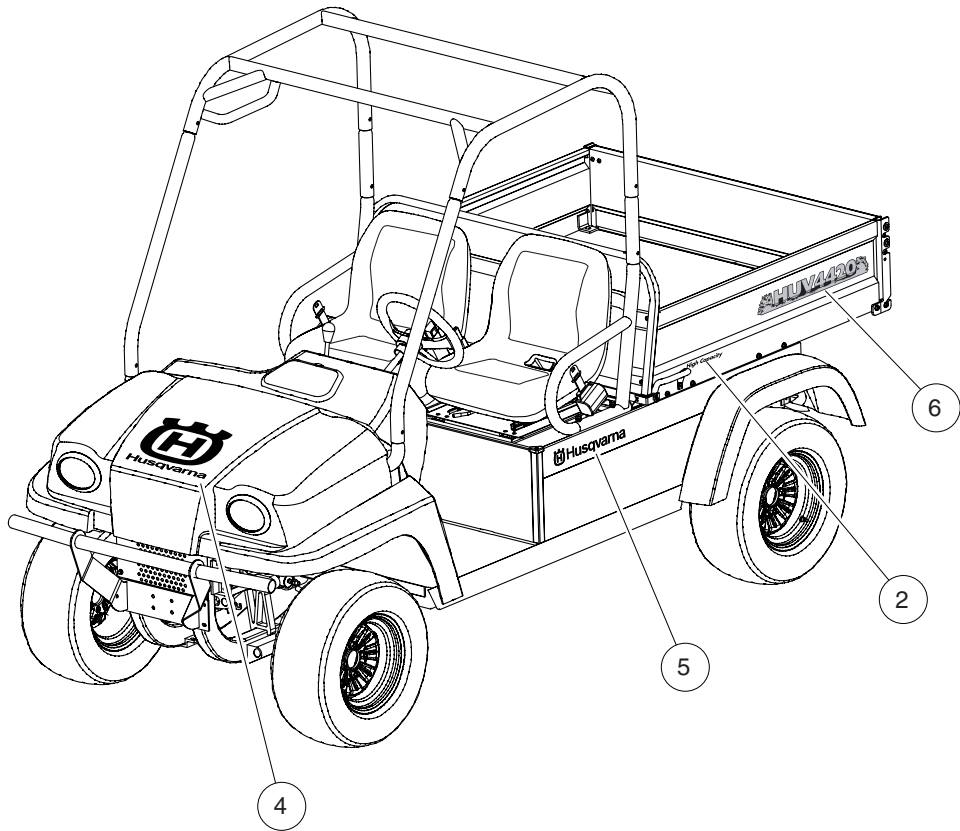
G

D

3

G

D



000174-001

# BADGING DECALS, HUV 4420

ITEM	PART NO.	DESCRIPTION	QTY
		1 2 3 4	
1	603 00 13-18	Decal, Diesel .....	2
2	603 00 15-94	Decal, High-Capacity (optional accessory) .....	2
3	603 00 17-92	Decal, Husqvarna, Tailgate .....	1
4	603 00 17-93	Decal, Husqvarna Cowl .....	1
5	603 00 17-94	Decal, Husqvarna, Side Panel .....	2
6	603 00 17-96	Decal, Bed .....	2
7	603 00 17-97	Decal, Bed .....	2

**3**

**G**

**D**

**3**

**G**

**D**

# BRAKE SYSTEMS

---

4

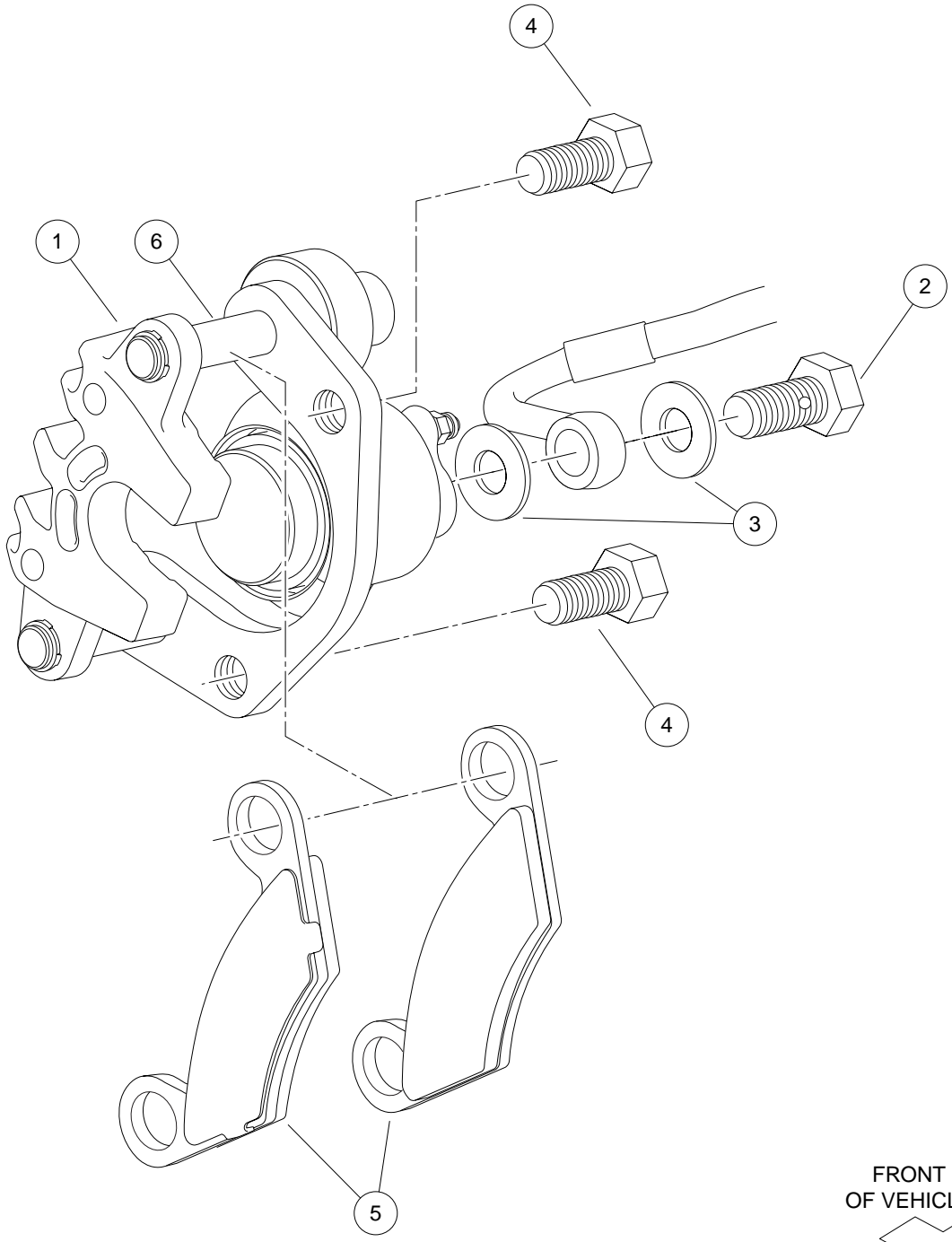
G

D

4

G

D



FRONT  
OF VEHICLE  
↙

000067-001

# FRONT BRAKE ASSEMBLY

ITEM	PART NO.	DESCRIPTION	QTY
		1 2 3 4	
1	603 00 08-98	Brake Caliper, Front, with Brake Pads .....	2
2	603 00 11-62	Bolt, Banjo, M10x1x19 .....	2
3	603 00 11-75	Washer, Copper, M10 Crush .....	4
4	603 00 11-83	Bolt Flange Head, 3/8-24x.750 with Loctite .....	4
5	603 00 16-70	Service Kit, Brake Pad (4 Pads) .....	1
6	603 00 44-75	Pin, Slide, 7/16 .....	2

**4**

**G**

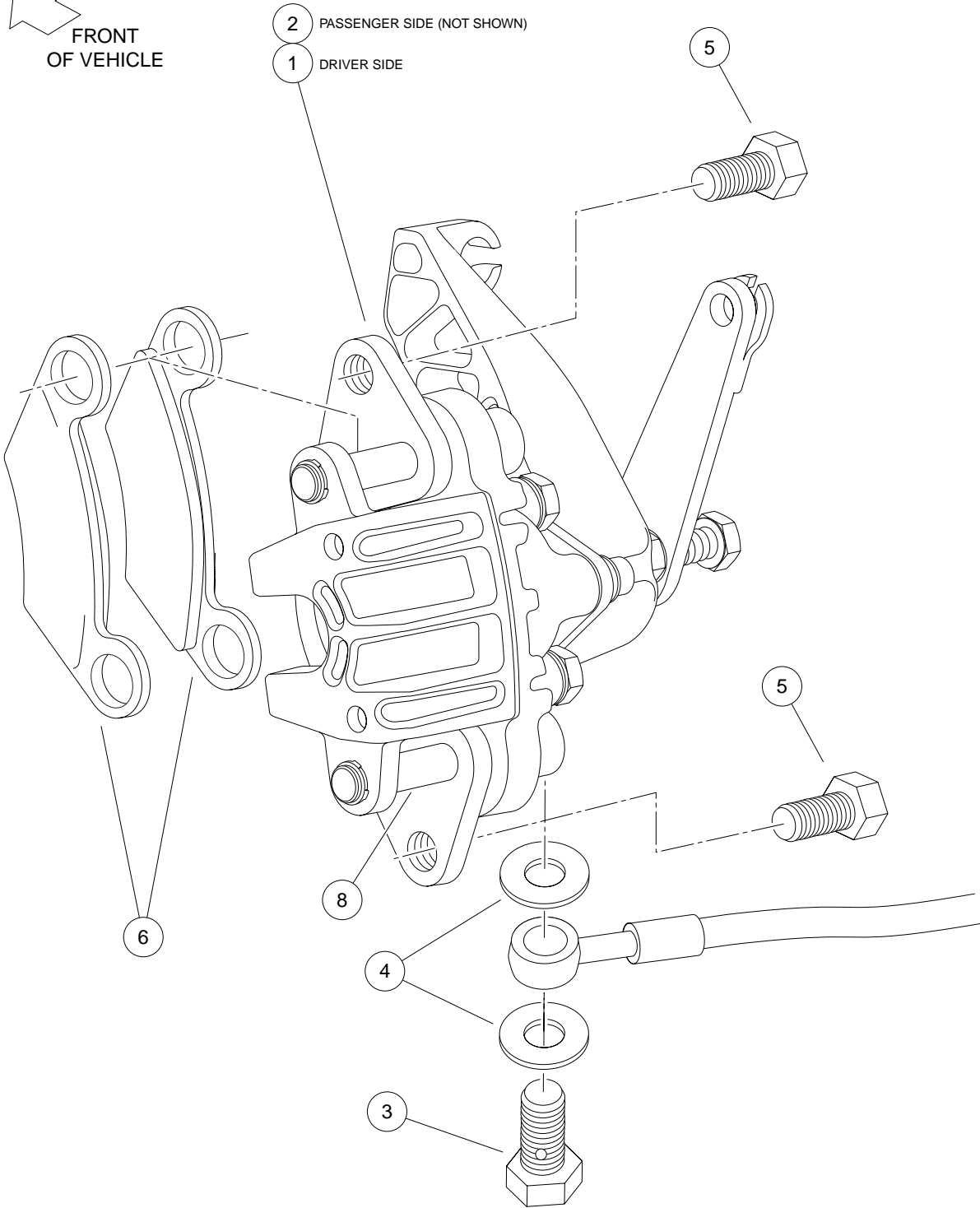
**D**

4

G

D

FRONT  
OF VEHICLE



000068-001



# REAR BRAKE ASSEMBLY

ITEM	PART NO.	DESCRIPTION	QTY
		1 2 3 4	
1	603 00 09-45	Caliper, Brake, Hydro-Mechanical, LH .....	1
2	603 00 09-46	Caliper, Brake, Hydro-Mechanical, RH .....	1
3	603 00 11-62	Bolt, Banjo, M10x1x19 .....	2
4	603 00 11-75	Washer, Copper, M10 Crush .....	4
5	603 00 11-83	Bolt Flange Head, 3/8-24x.750 with Loctite .....	4
6	603 00 16-70	Service Kit, Brake Pad (4 Pads) .....	1
7	603 00 44-76	Spring, Brake Caliper Return .....	1
8	603 00 44-75	Pin, Slide, 7/16 .....	2

**4**

**G**

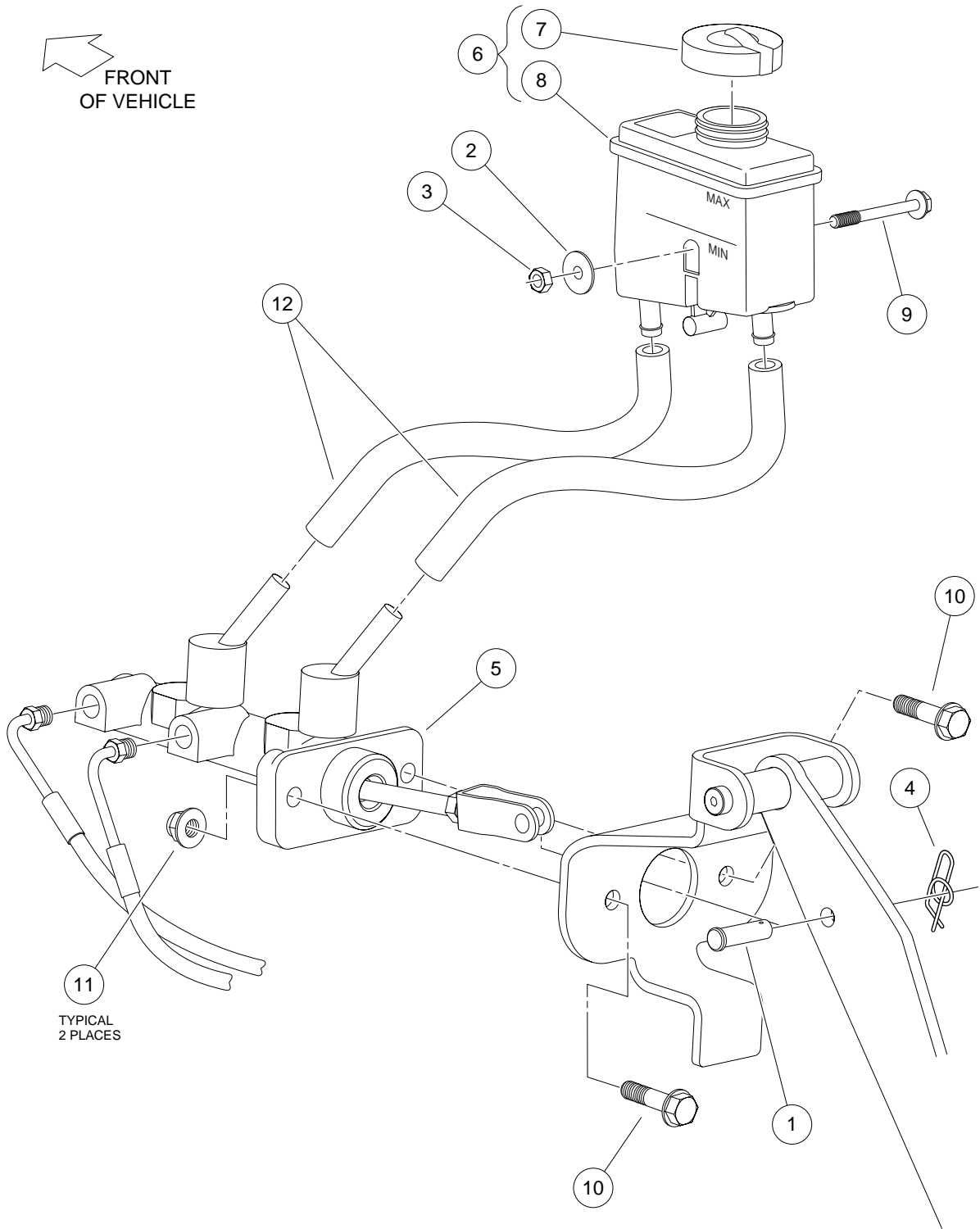
**D**

4

G

D

FRONT  
OF VEHICLE



TYPICAL  
2 PLACES

000069-001

# MASTER CYLINDER

ITEM	PART NO.	DESCRIPTION	QTY
		1 2 3 4	
1	603 00 04-54	Clevis Pin, 5/16 X 1 .....	1
2	603 00 02-22	Washer, 1/4" Type B Flat .....	1
3	603 00 05-58	Locknut, M6-1.00 Nylon Insert .....	1
4	603 00 07-98	Pin, Rue .....	1
5	603 00 09-47	Cylinder, Master, Tandem .....	1
6	603 00 09-48	Assembly, Reservoir, Remote (includes items 7 and 8) .....	1
7	603 00 07-59	Filler Cap Asm .....	1
8	N/A	Reservoir, Brake Fluid, Without Cap .....	1
9	603 00 11-98	Bolt, M 6 X 1.0 X 65 Hex, Flange, Head, Black .....	1
10	603 00 13-07	Bolt Flanged Head, M8 X 1.25 X 35 .....	2
11	603 00 13-08	Lock Nut, Flg M8 X 1.25 Nylon .....	2
12	603 00 16-71	Line, Reservoir, Brake .....	2

**4**

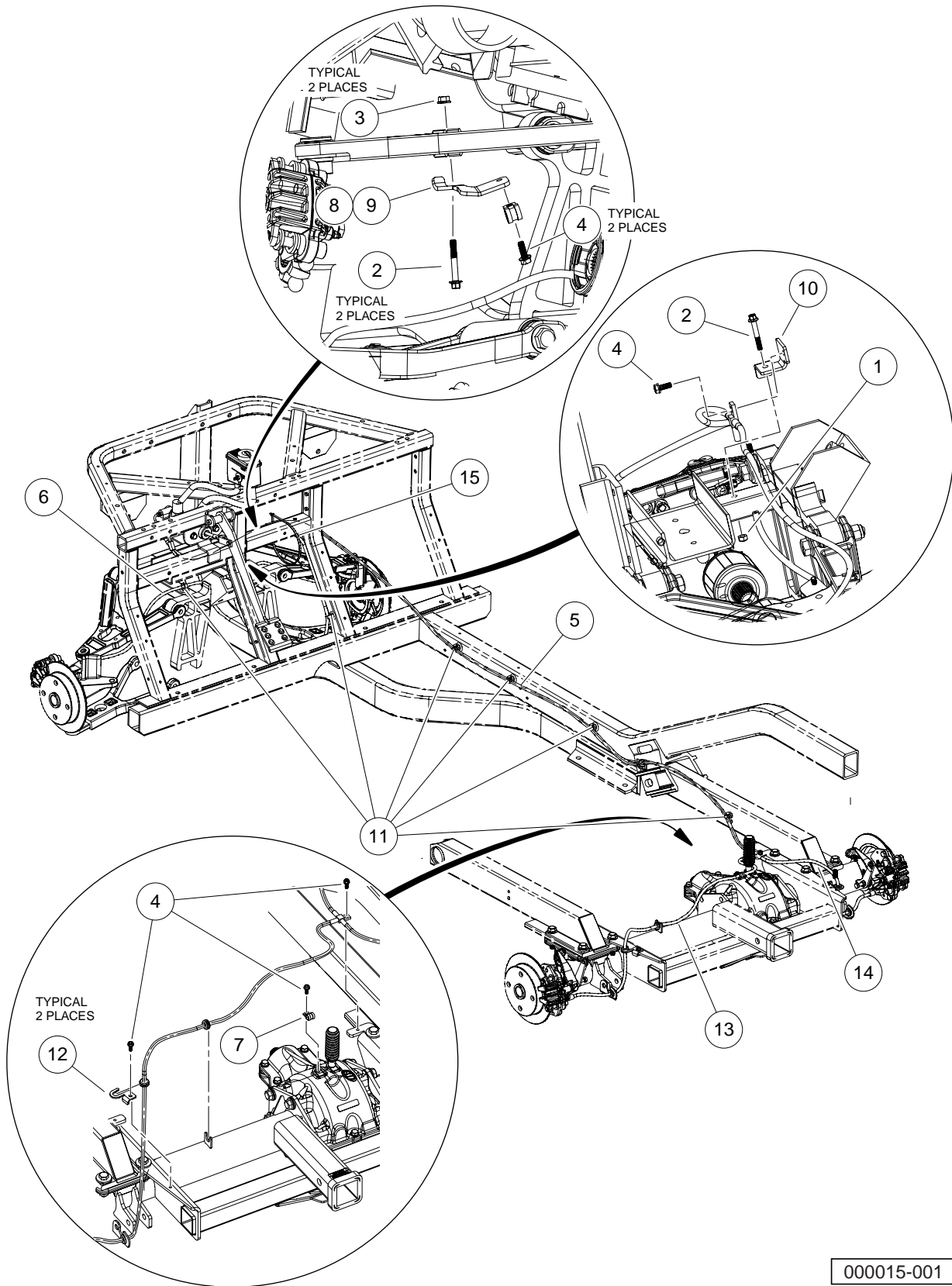
**G**

**D**

4

G

D



000015-001

# HYDRAULIC BRAKE LINES AND CLIPS

ITEM	PART NO.	DESCRIPTION	QTY
		1 2 3 4	
1	603 00 05-58	Locknut, M6-1.00 Nylon Insert .....	1
2	603 00 08-73	Bolt, Flanged Head, M6x1.0x40 .....	3
3	603 00 12-99	Nut-m6x1.0 Flng All Mtl Lock .....	2
4	603 00 08-74	Screw, M6 X 16 Tt Hx Fl Hd .....	7
5	603 00 09-53	Assembly, Brake Line, Rear .....	1
6	603 00 09-54	Assembly, Brakeline, Front (includes item 7) .....	1
7	603 00 09-66	P-Clamp, Insulated .312 In .....	1
8	603 00 11-39	Bracket, Brake Line, Left .....	1
9	603 00 11-40	Bracket, Brake Line, Right .....	1
10	603 00 11-41	Bracket, Tee, Brakeline .....	1
11	603 00 11-43	Clip, Brake Line .....	6
12	603 00 16-05	Bracket, Line, Hydraulic .....	2
13	603 00 16-06	Brkt, Line, Hyd, Shk Mnt, Drv .....	1
14	603 00 16-07	Brkt, Line, Hyd, Shk Mnt, Pass .....	1
15	603 00 00-93	Tie Wrap, 11" Nylon .....	1

4

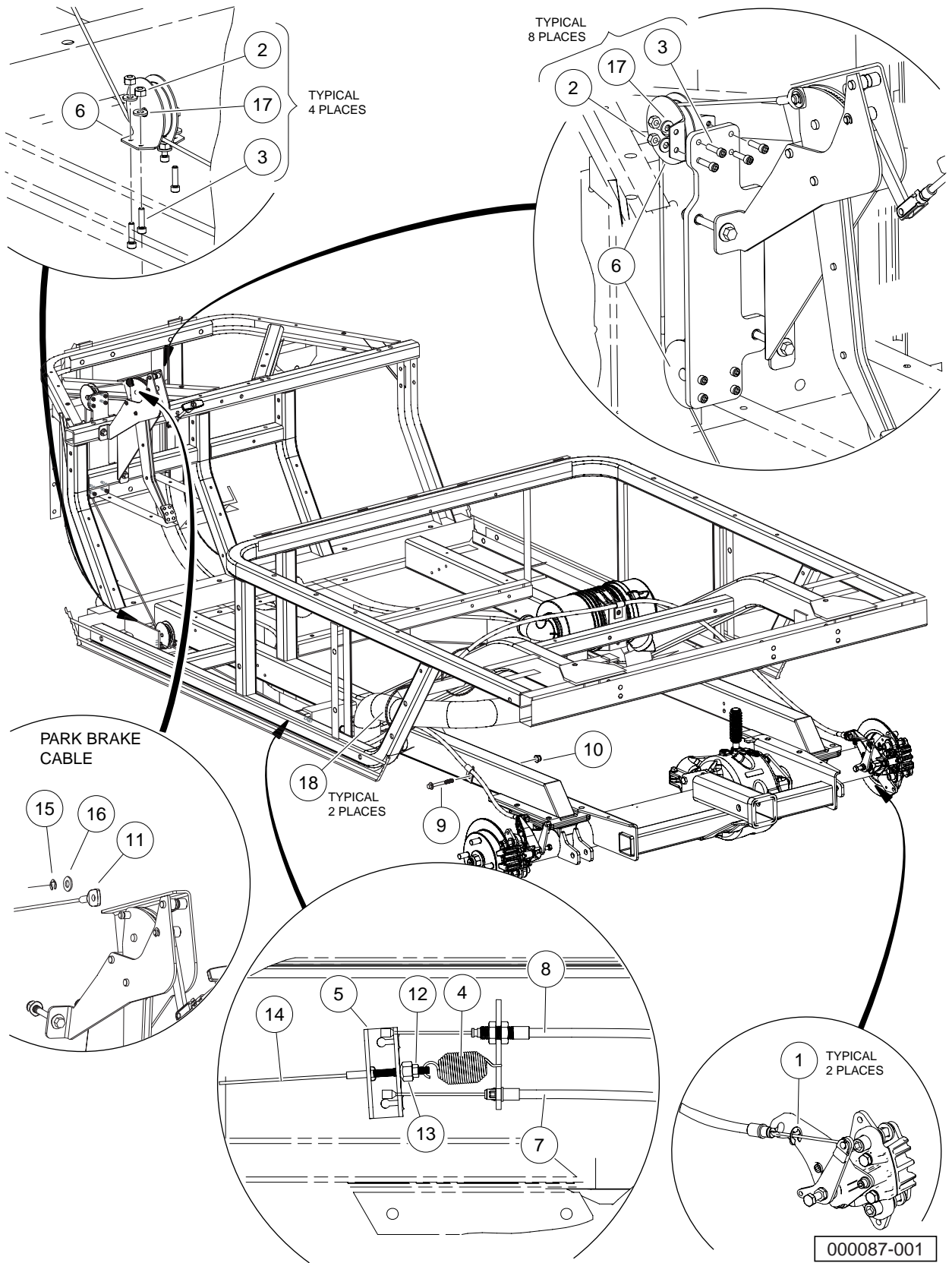
G

D

4

G

D



# PARK BRAKE ASSEMBLY WITH PULLEY SYSTEM

ITEM	PART NO.	DESCRIPTION	QTY
		1 2 3 4	
1	603 00 01-30	E-Clip, 1/2 .....	2
2	603 00 01-41	Locknut, #10-24 Nylon Insert .....	12
3	603 00 04-55	Screw, #10-24 X 3/4 Socket-Head .....	12
4	603 00 01-75	Spring, Brake Return .....	1
5	603 00 06-32	Equalizer Bracket .....	1
6	603 00 07-01	Pulley, 2-Inch Flat Mount .....	3
7	603 00 10-53	Cable, Brake, Parking, Left .....	1
8	603 00 10-54	Cable, Brake, Parking, Right .....	1
9	603 00 13-06	Bolt Flanged Head, M8 X 1.25 X 65 .....	1
10	603 00 13-08	Lock Nut, Flg M8 X 1.25 Nylon .....	1
11	603 00 11-79	Brake Cable, Park, Kit, Front (includes items 12 through 16) .....	1
12	603 00 01-09	Nut, 5/16-24 Hex .....	1
13	603 00 07-66	Nut, 5/16-24 Hex Cone .....	1
14	N/A	Cable, Brake, Parking, Front .....	1
15	603 00 28-20	Ring, Retaining, External, 9mm .....	1
16	603 00 00-65	Washer, 5/16 Type A Flat .....	1
17	603 00 00-51	Washer, #10 Type A Flat .....	12
18	603 00 00-93	Tie Wrap, 11" Nylon .....	2

**4**

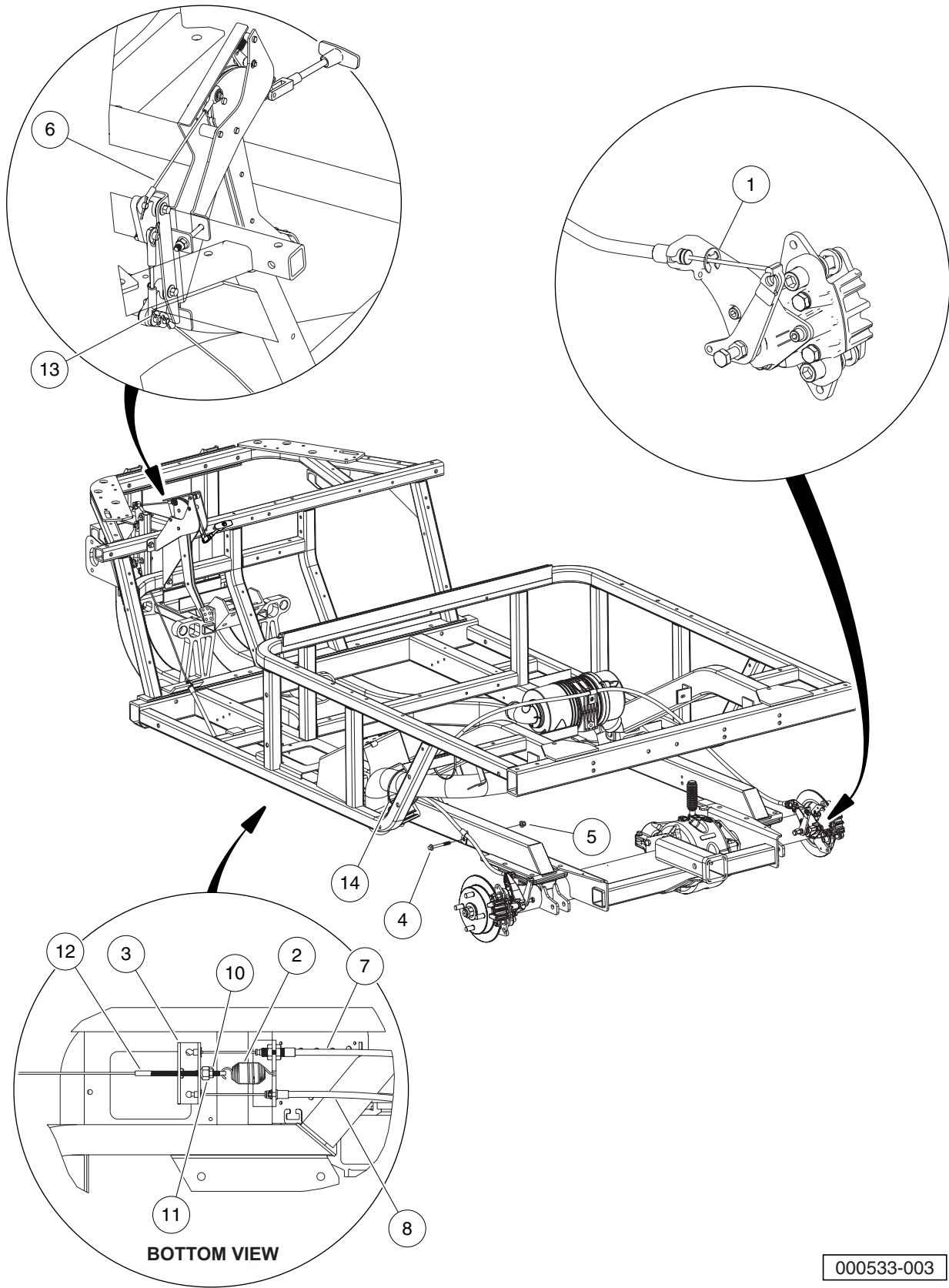
**G**

**D**

4

G

D



000533-003



# PARK BRAKE ASSEMBLY WITH BELLCRANK SYSTEM

ITEM	PART NO.	DESCRIPTION	QTY
		1 2 3 4	
1	603 00 01-30	E-Clip, 1/2 .....	2
2	603 00 01-75	Spring, Brake Return .....	1
3	603 00 06-32	Equalizer Bracket .....	1
4	603 00 13-06	Bolt Flanged Head, M8 X 1.25 X 65 .....	1
5	603 00 13-08	Lock Nut, Flg M8 X 1.25 Nylon .....	1
6	531 30 71-09	Cable, Crank, Bell, Front .....	1
7	603 00 29-24	Cable, Noncoated, Pbrake, Left .....	1
8	603 00 29-25	Cable, Noncoated, Pbrake, Rght .....	1
9	603 00 29-30	Kit, Cable, Brake, Crank, Fr (includes items 10 through 13) .....	1
10	603 00 01-09	Nut, 5/16-24 Hex .....	1
11	603 00 07-66	Nut, 5/16-24 Hex Cone .....	1
12	N/A	Cable, Crank, Bell, Main .....	1
13	603 00 00-63	Pin, 3/32 X 1.00 Sq Cut Cotter .....	1
14	603 00 00-93	Tie Wrap, 11" Nylon .....	2

**4**

**G**

**D**

**4**

**G**

**D**

# PEDAL GROUP

---

**5**

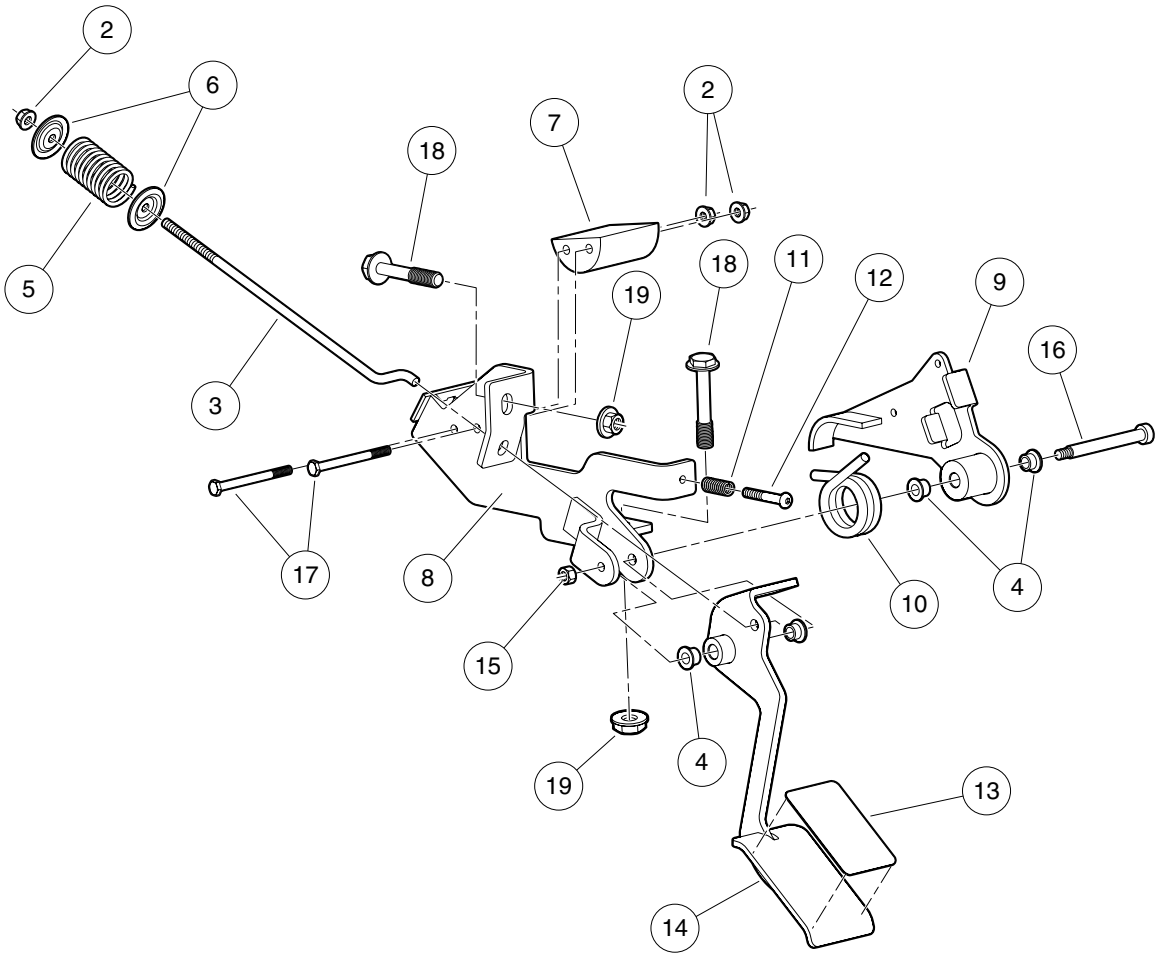
**G**

**D**

5

G

D



000026-001

# ACCELERATOR PEDAL ASSEMBLY

ITEM	PART NO.	DESCRIPTION	QTY
		1 2 3 4	
1	603 00 11-63	Asm, Pedal, Accelerator (includes items 2 through 17) .....	1
2	603 00 12-99	Nut-m6x1.0 Flng All Mtl Lock .....	3
3	N/A	Pullrod, Spring, Compression .....	1
4	603 00 10-55	Bushing, Greaseless .....	4
5	N/A	Spring, Comp, Pedal, Pullrod .....	1
6	N/A	Washer, Retaining Spring, 7mm .....	2
7	N/A	Guide, Cable, Accelerator .....	1
8	N/A	Weldment, Bracket, Pedal .....	1
9	N/A	Weldment, Lever, Motion, Lost .....	1
10	N/A	Spring, Torsion .....	1
11	N/A	Spring, Stop, Pedal .....	1
12	N/A	Bolt, Stop, Pedal .....	1
13	603 00 11-54	Pad, Grip Tape, Accelerator .....	1
14	N/A	Weldment, Pedal, Accelerator .....	1
15	603 00 13-05	Nut M6x1 Mech Def Center .....	1
16	603 00 38-40	Bolt, Shoulder, M8 X 70, Hc .....	1
17	603 00 04-45	Bolt, M6 X 1 X 70 .....	2
18	603 00 13-06	Bolt Flanged Head, M8 X 1.25 X 65 .....	2
19	603 00 13-08	Lock Nut, Flg M8 X 1.25 Nylon .....	2

**5**

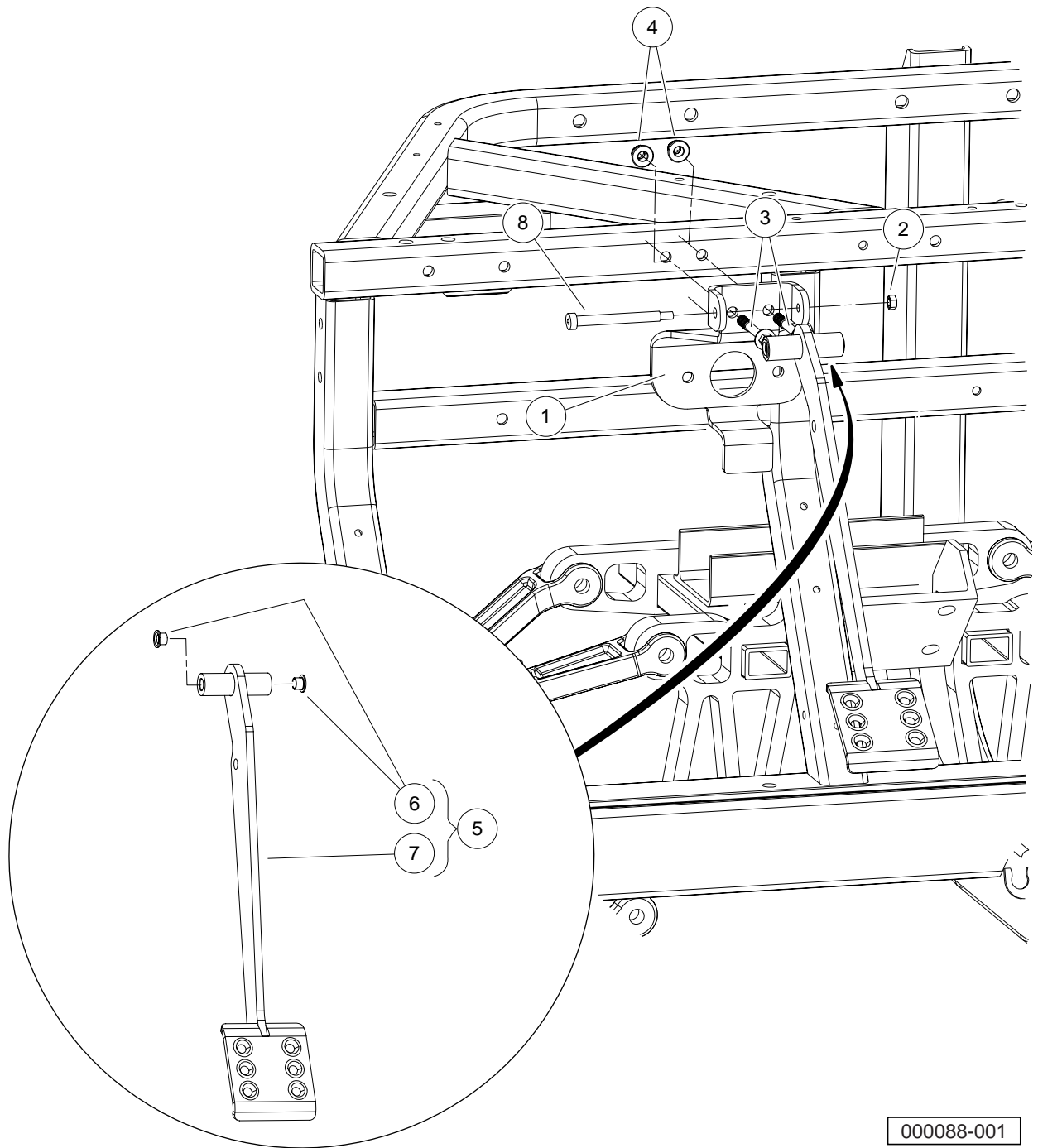
**G**

**D**

5

G

D



000088-001

# BRAKE PEDAL ASSEMBLY

ITEM	PART NO.	DESCRIPTION	QTY
		<b>1 2 3 4</b>	
1	603 00 09-35	Bracket, Pedal, Brake .....	1
2	603 00 13-05	Nut M6x1 Mech Def Center .....	1
3	603 00 13-06	Bolt Flanged Head, M8 X 1.25 X 65 .....	2
4	603 00 13-08	Lock Nut, Flg M8 X 1.25 Nylon .....	2
5	N/A	Asm, Pedal, Brake, Hung (includes items 6 and 7) .....	1
6	603 00 10-55	Bushing, Greaseless .....	2
7	603 00 13-22	Weldment, Pedal, Brake, Hung .....	1
8	603 00 38-40	Bolt, Shoulder, M8 X 70, Hc .....	1

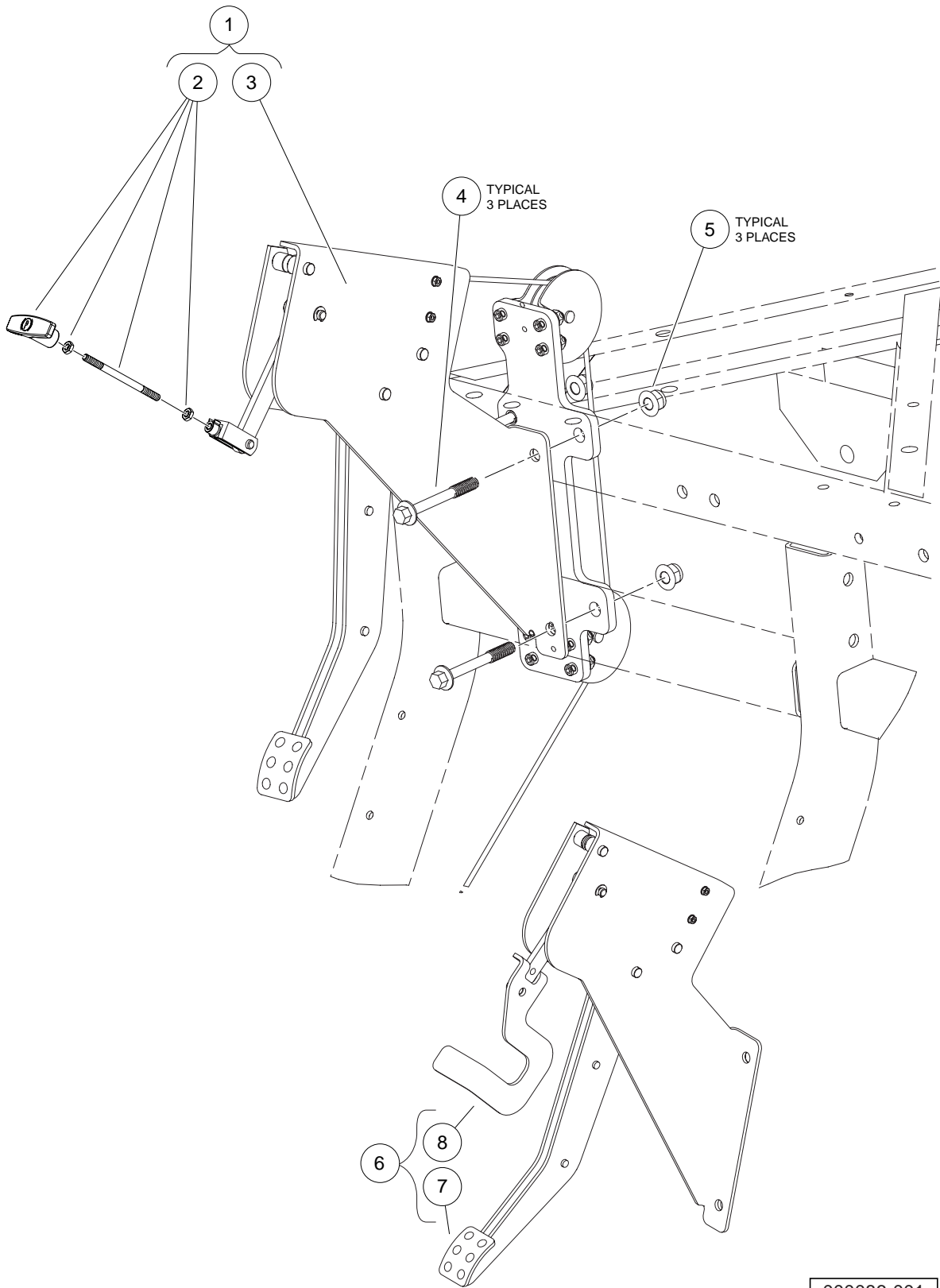
**5**

**G**

**D**

**5**  
**G**

**D**



000086-001



# PARK BRAKE PEDAL ASSEMBLY

ITEM	PART NO.	DESCRIPTION	QTY
		1 2 3 4	
1	N/A	Pedal Asm, Brake, Park (includes items 2 and 3) .....	1
2	603 00 17-77	Kit, Handle, Brake, Park .....	1
3	N/A	Pedal, Brake, Park .....	1
4	603 00 13-06	Bolt Flanged Head, M8 X 1.25 X 65 .....	3
5	603 00 13-08	Lock Nut, Flg M8 X 1.25 Nylon .....	3
6	531 30 73-75	Asm, Pedal, Brake, Hard (includes items 7 and 8) .....	1
7	N/A	Pedal, Brake, Park .....	1
8	603 00 35-26	Handle, Release, Park Brake .....	1
		<p>Note: Item 1 has been discontinued. Use item 6 for replacement of the complete assembly.</p>	

5

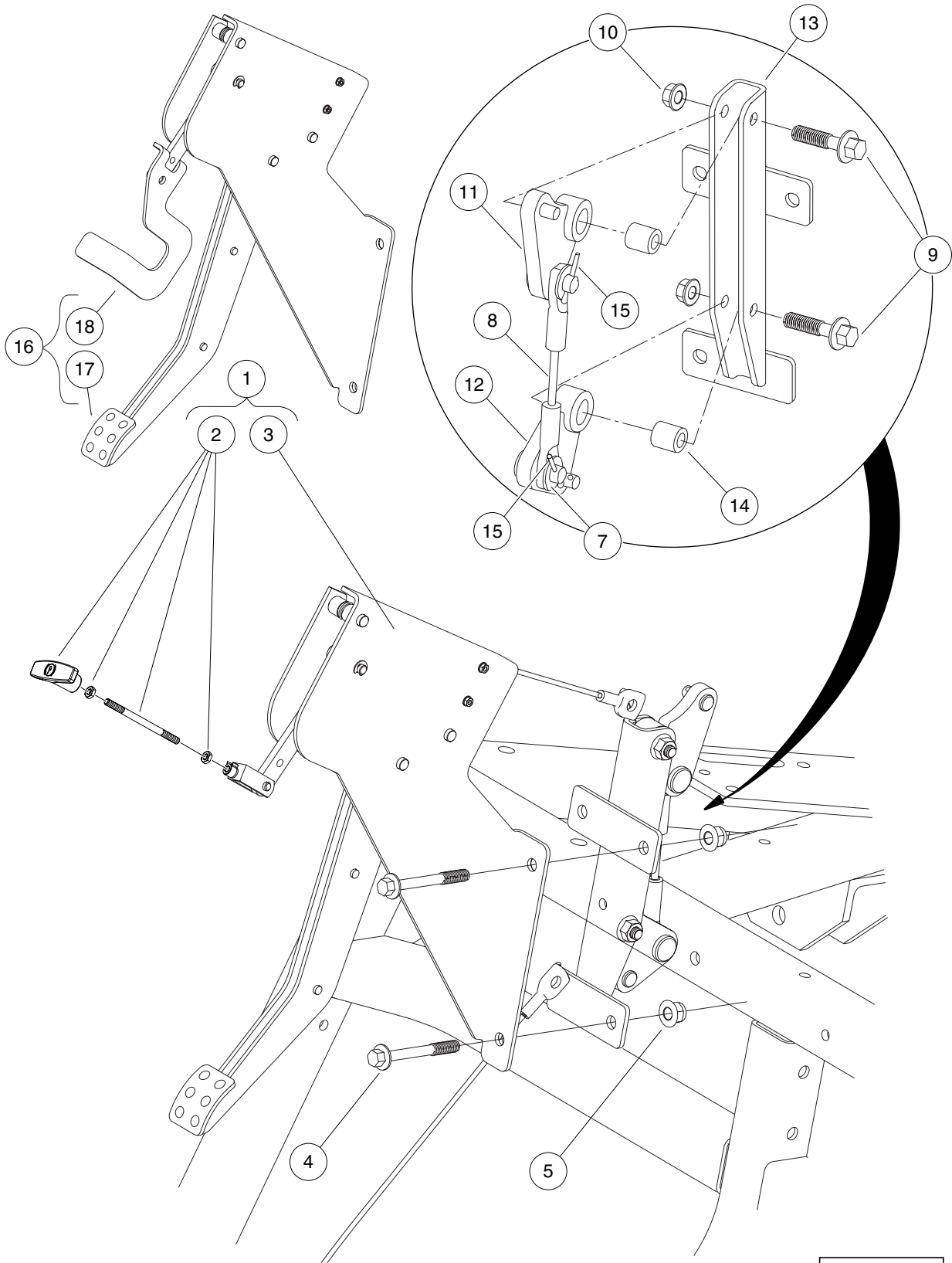
G

D

5

G

D



000086-003

# PARK BRAKE PEDAL ASSEMBLY WITH BELLCRANK SYSTEM

ITEM	PART NO.	DESCRIPTION	QTY
		<b>1 2 3 4</b>	
1	N/A	Pedal Asm, Brake, Park (includes items 2 and 3) .....	1
2	603 00 17-77	Kit, Handle, Brake, Park .....	1
3	N/A	Pedal, Brake, Park .....	1
4	603 00 13-06	Bolt Flanged Head, M8 X 1.25 X 65 .....	3
5	603 00 13-08	Lock Nut, Flg M8 X 1.25 Nylon .....	3
6	603 00 35-25	Asm, Sub, Bracket, Park Brake (includes items 7 through 15) .....	1
7	603 00 35-22	Washer, Flat, 3/8, Blk Fin .....	2
8	531 30 71-10	Cable, Crank, Bell .....	1
9	531 30 71-07	Bolt Flg, M8x1.25 X 35, Gr10.9 .....	2
10	531 30 71-13	Nut Flg M8 X 1.25 Gr 10 .....	2
11	603 00 35-23	Asm, Bellcrank, Upper .....	1
12	603 00 35-24	Asm, Bellcrank, Lower .....	1
13	603 00 41-37	Brkt, Bellcrank, Prk Brk, Awd .....	1
14	603 00 41-38	Spacer, Pivot, Park Brk, Awd .....	2
15	603 00 00-63	Pin, 3/32 X 1.00 Sq Cut Cotter .....	2
16	531 30 73-75	Asm, Pedal, Brake, Hard (includes items 17 and 18) .....	1
17	N/A	Pedal, Brake, Park .....	1
18	603 00 35-26	Handle, Release, Park Brake .....	1
		<p>Note: Item 1 has been discontinued. Use item 16 for replacement of the complete assembly.</p>	

**5**

**G**

**D**

**5**

**G**

**D**

# STEERING AND SUSPENSION

---

6

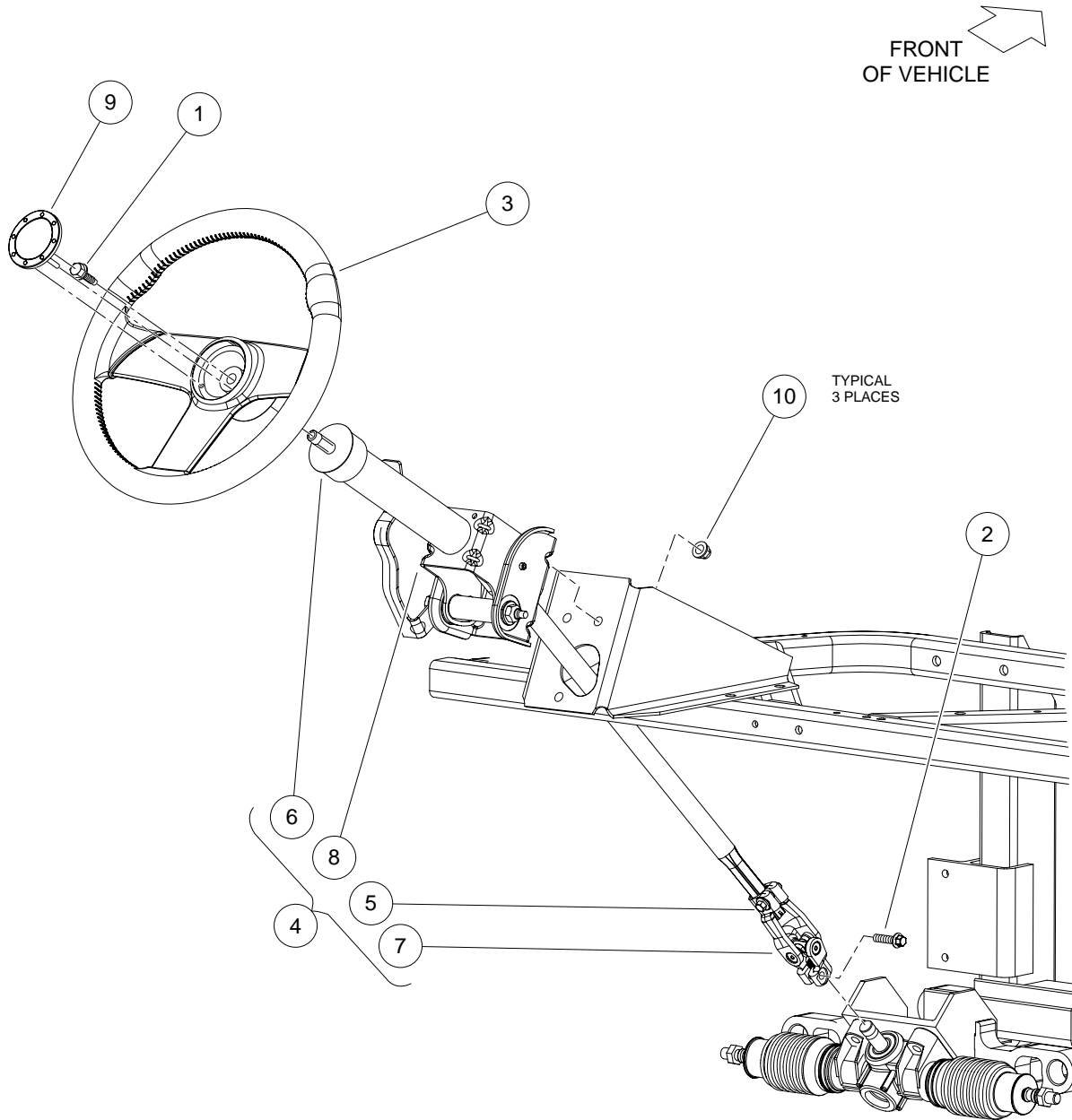
G

D

6

G

D



000070-001

# STEERING COLUMN

ITEM	PART NO.	DESCRIPTION	QTY
		1 2 3 4	
1	603 00 08-71	Bolt, M10 X 20 Hex Washer Hd .....	1
2	603 00 08-75	Bolt, Flange Head, M8 X 30.0 .....	1
3	603 00 08-92	Steering Wheel, Viper, Hex Hub .....	1
4	603 00 28-06	Steering Column (includes items 5 through 8) .....	1
5	603 00 08-75	Bolt, Flange Head, M8 X 30.0 .....	1
6	603 00 44-13	Shroud, Steering Column .....	1
7	N/A	Knuckle, Steering, Slider .....	1
8	N/A	Column, Steering without Knuckle and Shroud .....	1
9	603 00 08-97	Cap, Steering Wheel, Viper .....	1
10	603 00 13-08	Lock Nut, Flg M8 X 1.25 Nylon .....	3

**6**

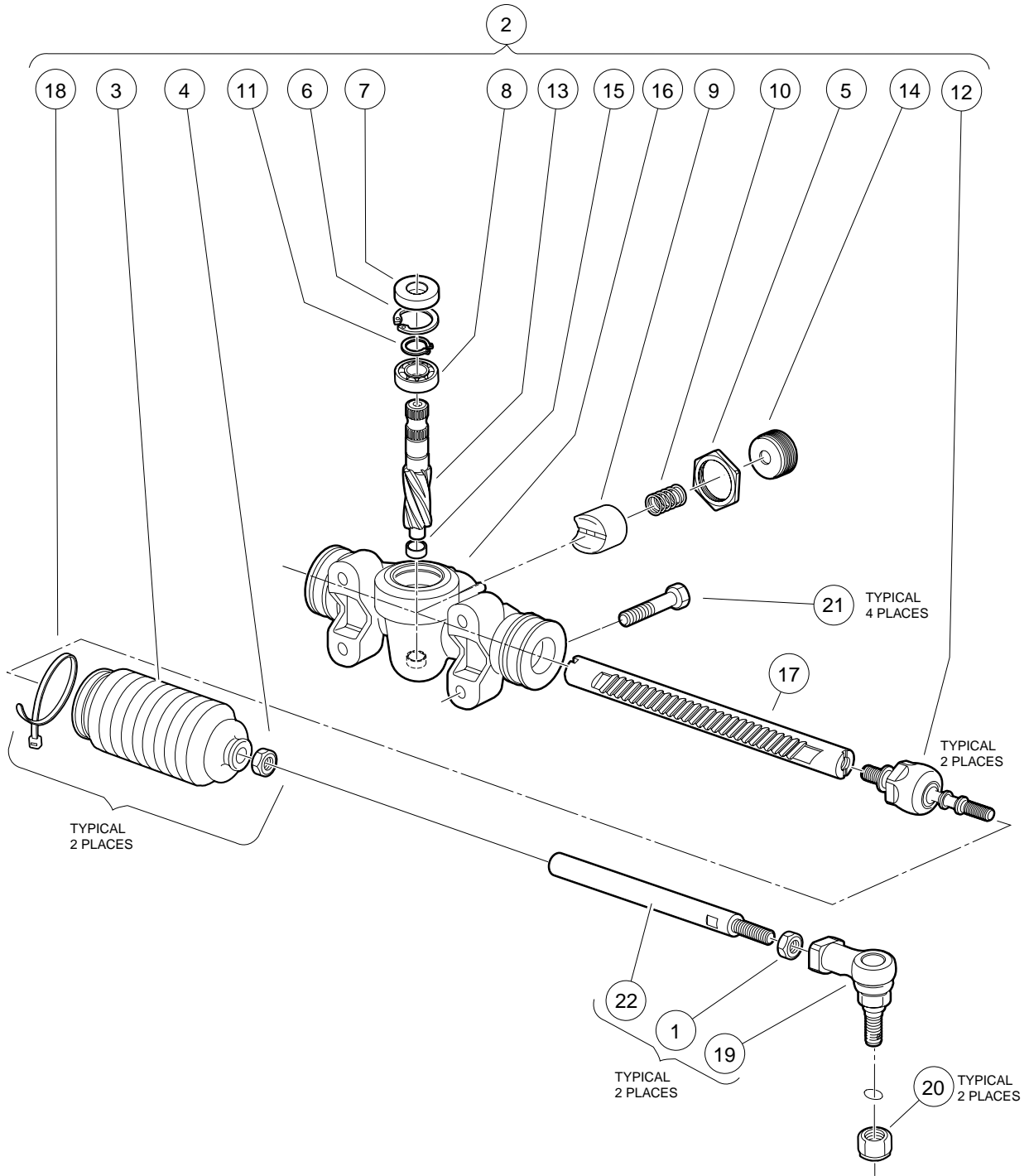
**G**

**D**

6

G

D



000071-001



# STEERING GEAR ASSEMBLY

ITEM	PART NO.	DESCRIPTION	QTY
		1 2 3 4	
1	603 00 01-67	Nut, 12mm Hex .....	2
2	603 00 06-36	Steering Rack (includes items 3 through 18) .....	1
3	603 00 01-66	Bellows, Long .....	2
4	603 00 01-67	Nut, 12mm Hex .....	2
5	603 00 01-68	Rack Screw Locknut .....	1
6	603 00 01-69	Snap Ring .....	1
7	603 00 01-70	Seal, Steering Pinion Dust .....	1
8	603 00 05-49	Bearing, Ball .....	1
9	603 00 05-50	Support Yoke .....	1
10	603 00 05-51	Rack Guide Pressure Spring .....	1
11	603 00 05-52	Ring, Stop, C-Type .....	1
12	603 00 05-53	Inner Ball Joint Asm .....	2
13	N/A	Pinion, Steering .....	1
14	N/A	Bearing, Lower Pinion .....	1
15	N/A	Screw, Rack Guide .....	1
16	N/A	Housing, Steering Gear .....	1
17	N/A	Rack, Steering .....	1
18	603 00 29-63	Tie Wrap, 8" Nylon .....	2
19	603 00 06-82	End, Tie Rod M12 X 1.25 .....	2
20	603 00 06-84	Locknut, M12-1.25 Nylon .....	2
21	603 00 16-03	Bolt, Flange Head, M10x 1.5 X 40 with Loctite .....	4
22	603 00 35-29	Link, Drag, Wt .....	2

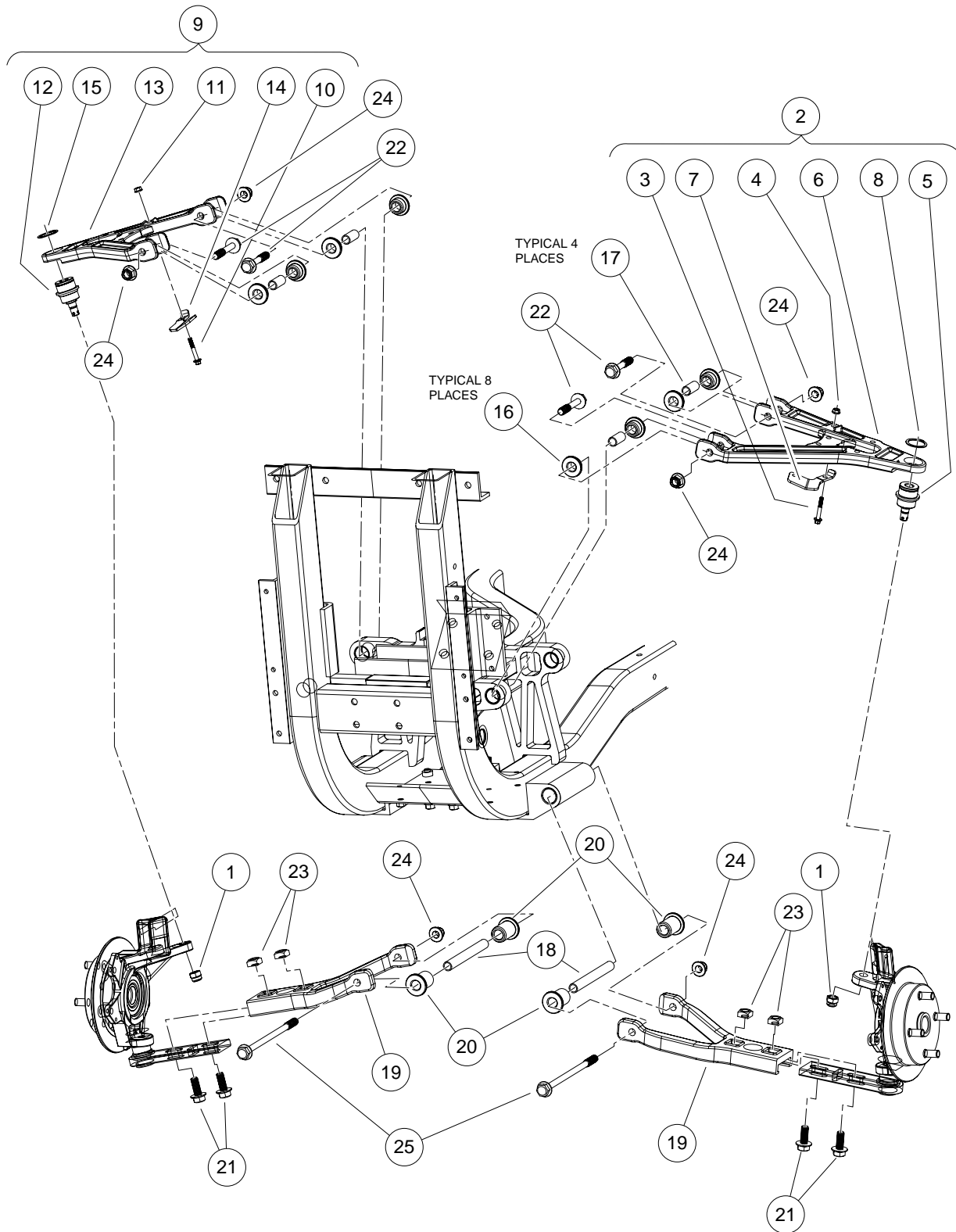
6

G

D

**6**  
**G**

**D**



000074-001

# FRONT SUSPENSION – A-ARMS

ITEM	PART NO.	DESCRIPTION	QTY
		1 2 3 4	
1	603 00 06-84	Locknut, M12-1.25 Nylon .....	2
2	603 00 09-00	Sub-assembly, A-Arm, Upper, LH (includes items 3 through 8) .....	1
3	603 00 08-73	Bolt, Flanged Head, M6x1.0x40 .....	1
4	603 00 12-99	Nut-m6x1.0 Flng All Mtl Lock .....	1
5	603 00 08-91	Joint, Ball .....	1
6	603 00 09-02	A-Arm, Upper, Left .....	1
7	603 00 11-39	Bracket, Brake Line, Left .....	1
8	603 00 16-84	Ring, Retaining, Ext, 1-1/4" .....	1
9	603 00 09-01	Sub-assembly, A-Arm, Upper, RH (includes items 10 through 15) .....	1
10	603 00 08-73	Bolt, Flanged Head, M6x1.0x40 .....	1
11	603 00 12-99	Nut-m6x1.0 Flng All Mtl Lock .....	1
12	603 00 08-91	Joint, Ball .....	1
13	603 00 09-03	A-Arm, Upper, Right .....	1
14	603 00 11-40	Bracket, Brake Line, Right .....	1
15	603 00 16-84	Ring, Retaining, Ext, 1-1/4" .....	1
16	603 00 09-56	Bushing, A-Arm .....	8
17	603 00 10-22	Sleeve, Upper .....	4
18	603 00 10-23	Sleeve, Lower .....	2
19	603 00 10-63	Arm, Lower .....	2
20	603 00 11-31	Bushing, Lower Arm .....	4
21	603 00 11-70	Bolt, Flange Head, M12x 1.75x 30 with Loctite .....	4
22	603 00 12-92	Bolt, Flange Head, M12 X 1.75 X 70 .....	4
23	603 00 13-03	Nut, Square, M12x 1.75 .....	4
24	603 00 13-12	Nut Flg, M12x1.75, Nylon Gr 10 .....	6
25	603 00 35-44	Bolt Flg, M12 X 1.75 X 200 10. ....	2

**6**

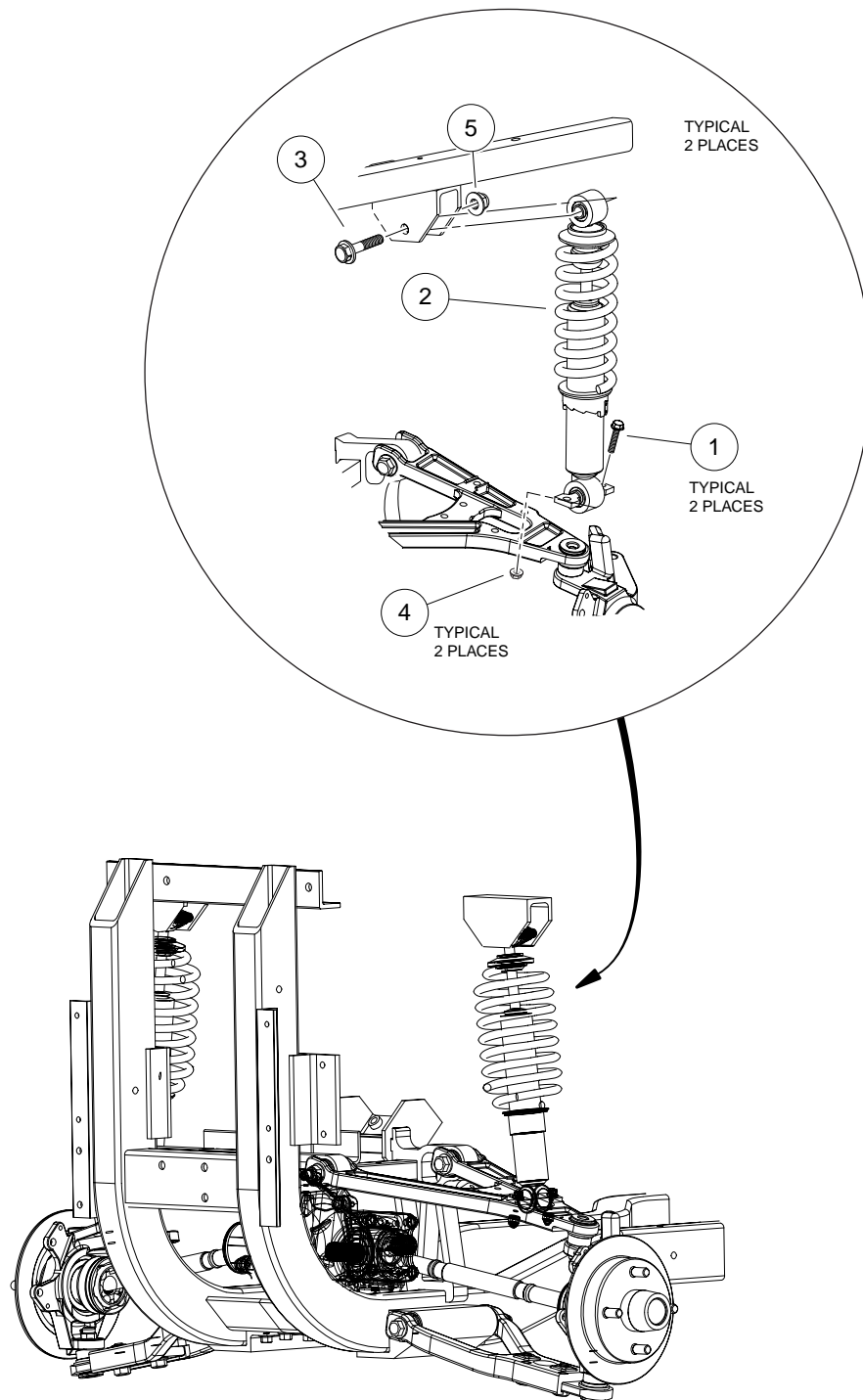
**G**

**D**

6

G

D



000072-001

# FRONT SUSPENSION (STANDARD)

ITEM	PART NO.	DESCRIPTION	QTY
		1 2 3 4	
1	603 00 08-76	Bolt, Flange Head, M8-1.25 X 40 .....	4
2	603 00 44-14	Shock, Coil Over, Front Hd .....	2
3	603 00 12-92	Bolt, Flange Head, M12 X 1.75 X 70 .....	2
4	603 00 13-08	Lock Nut, Flg M8 X 1.25 Nylon .....	4
5	603 00 13-12	Nut Flg, M12x1.75, Nylon Gr 10 .....	2

**6**

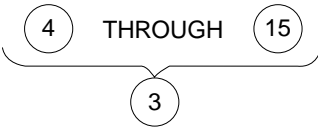
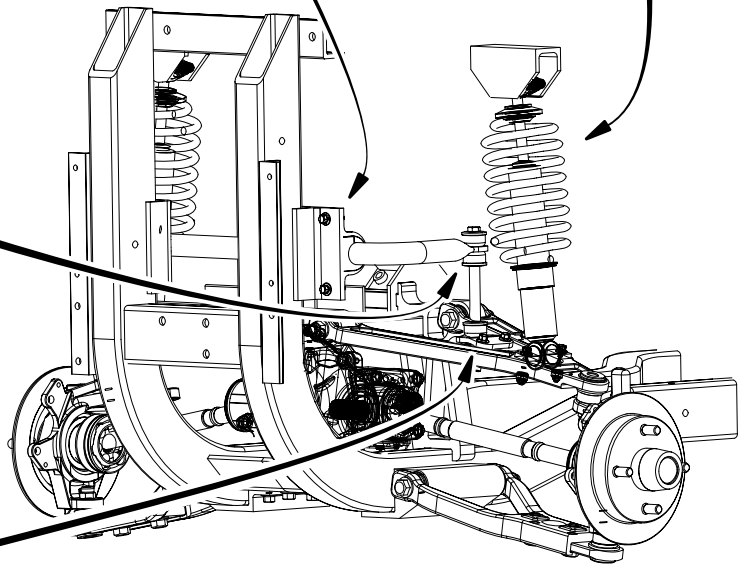
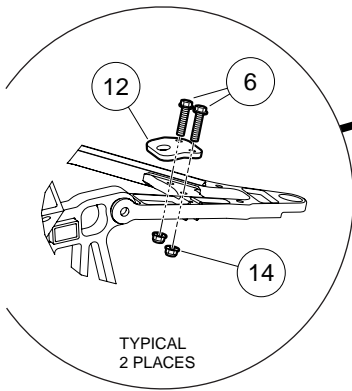
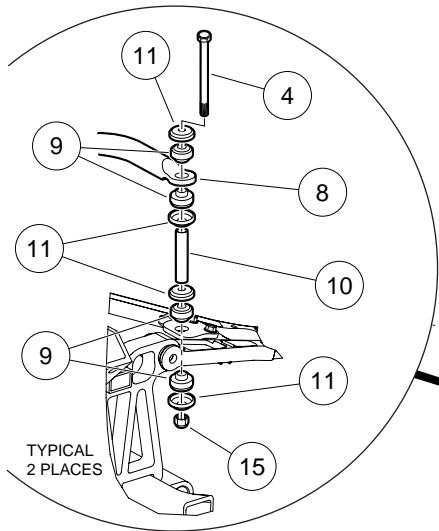
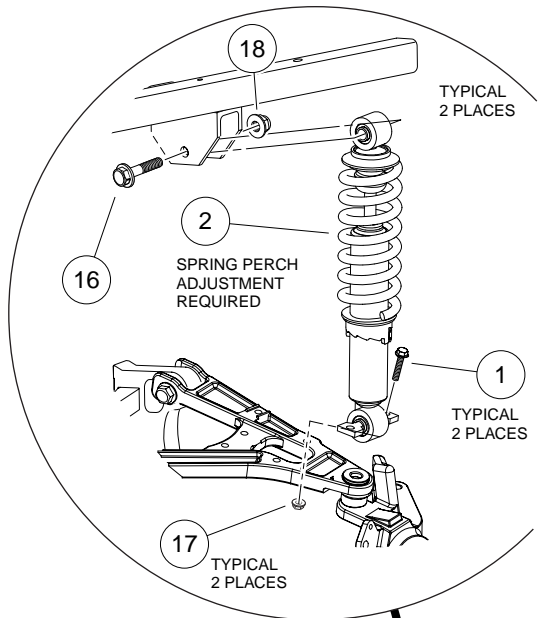
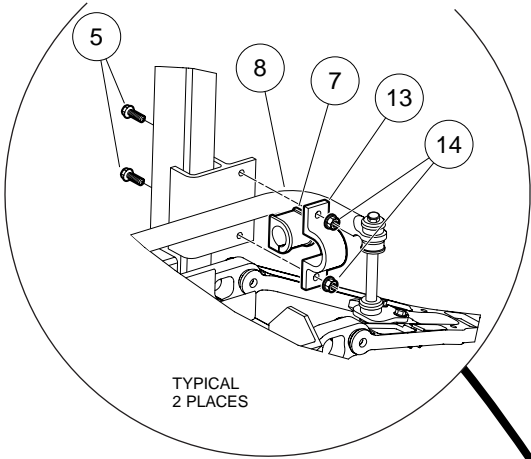
**G**

**D**

6

G

D



000072-002

## FRONT SUSPENSION (HIGH-CAPACITY OPTION)

ITEM	PART NO.	DESCRIPTION	QTY
		1 2 3 4	
1	603 00 08-76	Bolt, Flange Head, M8-1.25 X 40 .....	4
2	603 00 44-14	Shock, Coil Over, Front Hd .....	2
3	603 00 11-30	Kit, Anti-Sway Bar (includes items 4 through 15) .....	1
4	603 00 02-81	Screw, 3/8-16 X 7.00 Hex Cap .....	2
5	603 00 08-75	Bolt, Flange Head, M8 X 30.0 .....	4
6	603 00 08-76	Bolt, Flange Head, M8-1.25 X 40 .....	4
7	603 00 10-62	Bushing, Anti-Sway Bar, 1-1/8 .....	2
8	603 00 11-26	Bar, Sway, Formed .....	1
9	603 00 11-32	Bushing, Link .....	8
10	603 00 11-33	Sleeve, Link .....	2
11	603 00 11-34	Washer, Cup, Bushing .....	8
12	603 00 11-50	Mount, Link .....	2
13	603 00 11-88	Bracket, Anti-Sway Bar .....	2
14	603 00 13-08	Lock Nut, Flg M8 X 1.25 Nylon .....	8
15	603 00 00-95	Locknut, 3/8-16 Hex .....	2
16	603 00 12-92	Bolt, Flange Head, M12 X 1.75 X 70 .....	2
17	603 00 13-08	Lock Nut, Flg M8 X 1.25 Nylon .....	4
18	603 00 13-12	Nut Flg, M12x1.75, Nylon Gr 10 .....	2

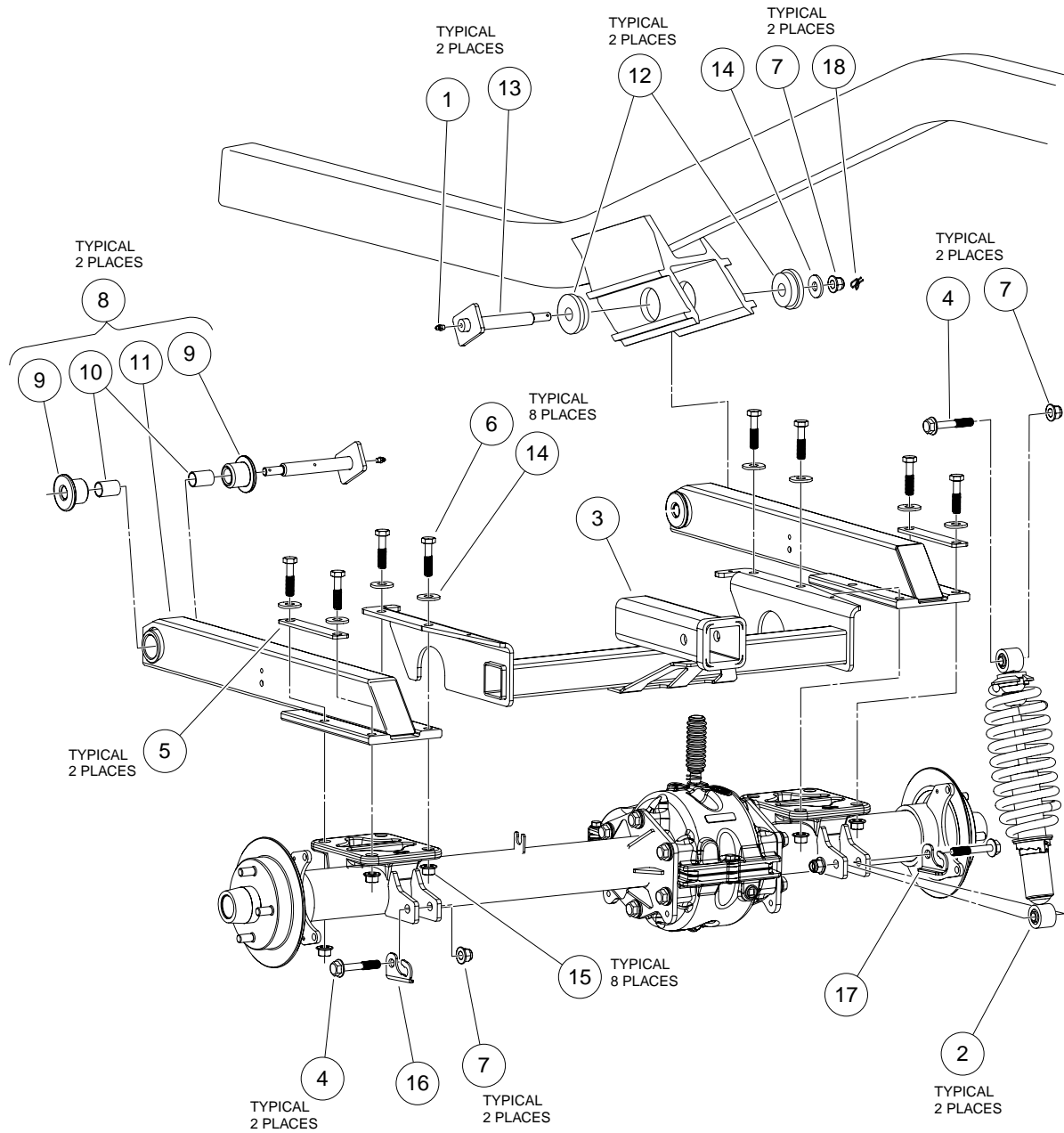
6

G

D

6  
G

D



000031-001



# REAR SUSPENSION (STANDARD)

ITEM	PART NO.	DESCRIPTION	QTY
		1 2 3 4	
1	603 00 02-64	Fitting, 1/4-28 Thread-Forming Grease .....	2
2	603 00 08-94	Shock, Coil Over Rear .....	2
3	603 00 09-41	Weldment, Receiver, Rear .....	1
4	603 00 12-92	Bolt, Flange Head, M12 X 1.75 X 70 .....	4
5	603 00 13-10	Washer, Strip, Swingarm .....	2
6	603 00 13-11	Bolt Flanged Head, M12 X 1.75 X 50 .....	8
7	603 00 13-12	Nut Flg, M12x1.75, Nylon Gr 10 .....	6
8	N/A	Sub Asm Swingarm (includes items 9 through 11) .....	2
9	603 00 09-44	Bushing, Pivot, Urethane .....	2
10	603 00 11-48	Bushing, Teflon .....	2
11	603 00 41-17	Swingarm, Rear, Awd .....	1
12	N/A	Insert, Flanged, H-Bracket .....	4
13	603 00 15-97	Pin, Swingarm, Weldment .....	2
14	603 00 15-99	Washer, M12 Hard Regular .....	10
15	603 00 16-02	Nut Flg M12 X 1.75 Cl10 .....	8
16	603 00 16-06	Brkt, Line, Hyd, Shk Mnt, Drv .....	1
17	603 00 16-07	Brkt, Line, Hyd, Shk Mnt, Pass .....	1
18	603 00 17-63	Cotter, Rue Ring, 1/2" .....	2

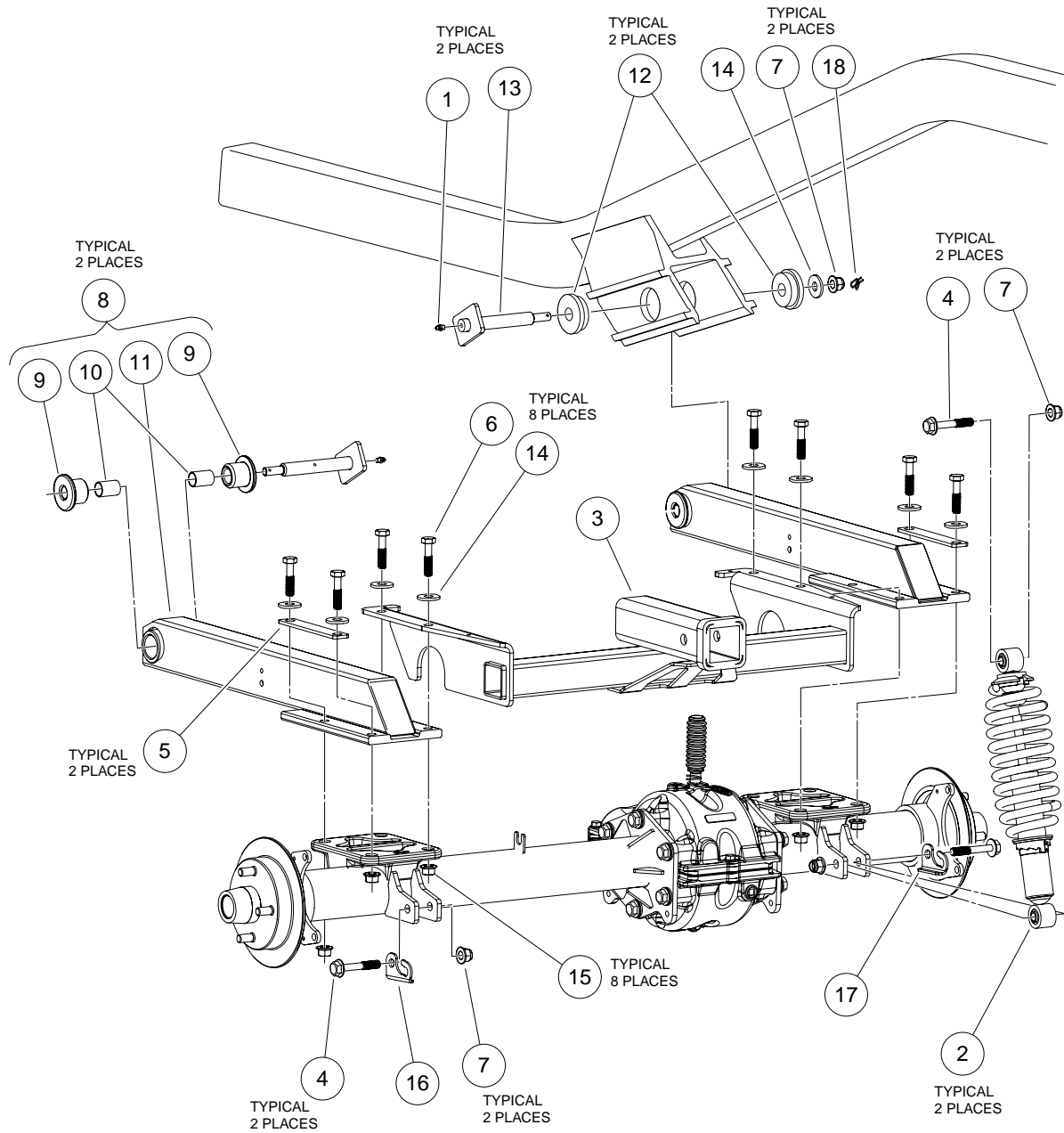
**6**

**G**

**D**

6  
G

D



000031-001

## REAR SUSPENSION (HIGH-CAPACITY OPTION)

ITEM	PART NO.	DESCRIPTION	QTY
		1 2 3 4	
1	603 00 02-64	Fitting, 1/4-28 Thread-Forming Grease .....	2
2	603 00 08-95	Shock, Coil Over, Rear HD .....	2
3	603 00 09-41	Weldment, Receiver, Rear .....	1
4	603 00 12-92	Bolt, Flange Head, M12 X 1.75 X 70 .....	4
5	603 00 13-10	Washer, Strip, Swingarm .....	2
6	603 00 13-11	Bolt Flanged Head, M12 X 1.75 X 50 .....	8
7	603 00 13-12	Nut Flg, M12x1.75, Nylon Gr 10 .....	6
8	N/A	Sub Asm Swingarm (includes items 9 through 11) .....	2
9	603 00 09-44	Bushing, Pivot, Urethane .....	2
10	603 00 11-48	Bushing, Teflon .....	2
11	603 00 41-17	Swingarm, Rear, Awd .....	1
12	N/A	Insert, Flanged, H-Bracket .....	4
13	603 00 15-97	Pin, Swingarm, Weldment .....	2
14	603 00 15-99	Washer, M12 Hard Regular .....	10
15	603 00 16-02	Nut Flg M12 X 1.75 Cl10 .....	8
16	603 00 16-06	Brkt, Line, Hyd, Shk Mnt, Drv .....	1
17	603 00 16-07	Brkt, Line, Hyd, Shk Mnt, Pass .....	1
18	603 00 17-63	Cotter, Rue Ring, 1/2" .....	2

**6**  
**G**  
**D**

**6**

**G**

**D**

# ELECTRICAL SYSTEM

---

7

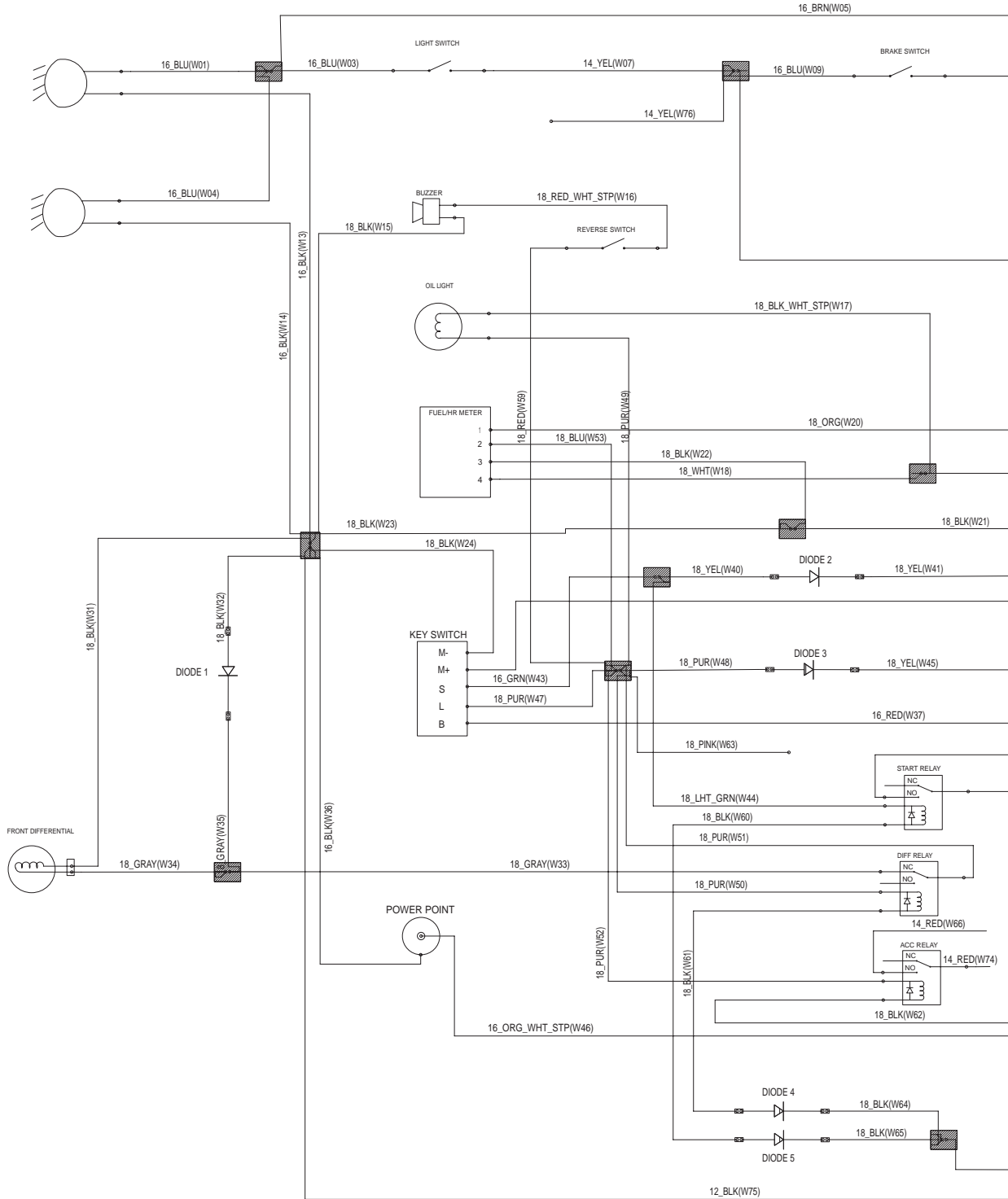
G

D

**7**  
**G**

**GASOLINE VEHICLE**

**D**



000001-002



**7**

**G**

**D**

See previous two pages for illustration.



# WIRING – GASOLINE VEHICLES

ITEM	PART NO.	DESCRIPTION	QTY
1	603 00 10-18	<div style="display: flex; justify-content: space-between; margin-bottom: 5px;"> <span>1</span> <span>2</span> <span>3</span> <span>4</span> </div> Wire Harness, Awd, Gas .....	1

7

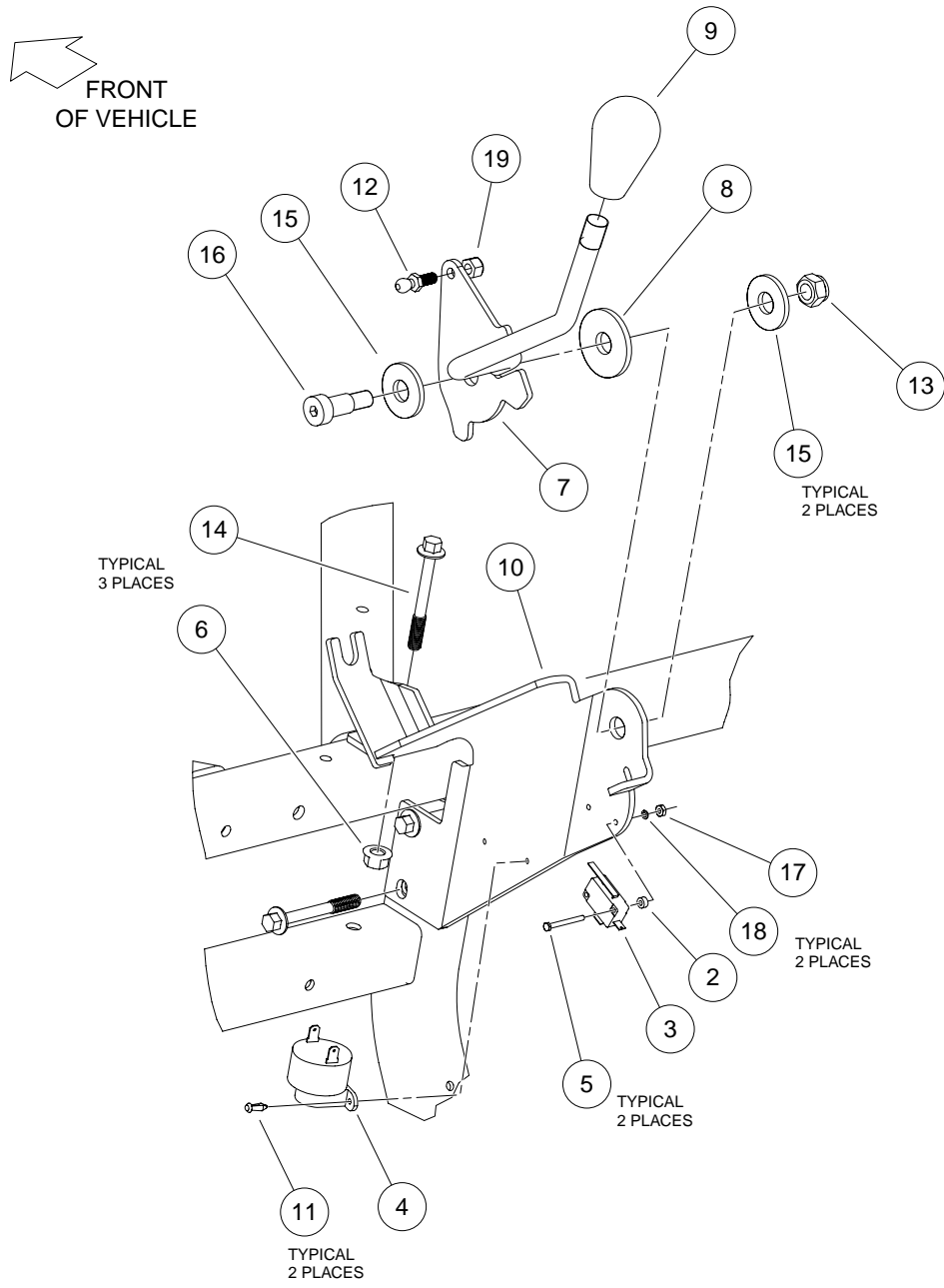
G

D

7

G

D



000030-001

# FORWARD/REVERSE SHIFTER ASSEMBLY

ITEM	PART NO.	DESCRIPTION	QTY
		1 2 3 4	
1	603 00 11-35	Asm, FNR (includes items 2 through 19) .....	1
2	603 00 02-34	Washer, #4 Nylon Flat .....	2
3	603 00 02-36	Switch, Limit .....	1
4	603 00 03-71	Buzzer, Reverse (9-48 VDC) .....	1
5	603 00 03-76	Screw, #4-40 X 1.125 Hx Hd Mch .....	2
6	603 00 12-98	Nut,m8,all Metal Lock .....	3
7	N/A	Weldment, FNR Shifter .....	1
8	603 00 09-23	Bushing, Fnr .....	1
9	603 00 09-24	Knob, Fnr .....	1
10	N/A	Weldment, FNR Shifter Bracket .....	1
11	N/A	Rivet, Micro Tuflok .....	2
12	603 00 12-88	Stud, Ball, .346 Dia .....	1
13	603 00 12-95	Locknut, M10x1.5 Nylon Insert .....	1
14	603 00 13-06	Bolt Flanged Head, M8 X 1.25 X 65 .....	3
15	603 00 15-99	Washer, M12 Hard Regular .....	2
16	603 00 16-00	Shoulder Bolt,m12 X 20 M10 Thd .....	1
17	603 00 00-86	Nut, #4-40 Hex Machine .....	2
18	603 00 00-87	Lockwasher, #4 Helical Split .....	2
19	603 00 00-94	Locknut, 1/4-28 Nylon Insert .....	1

**7**

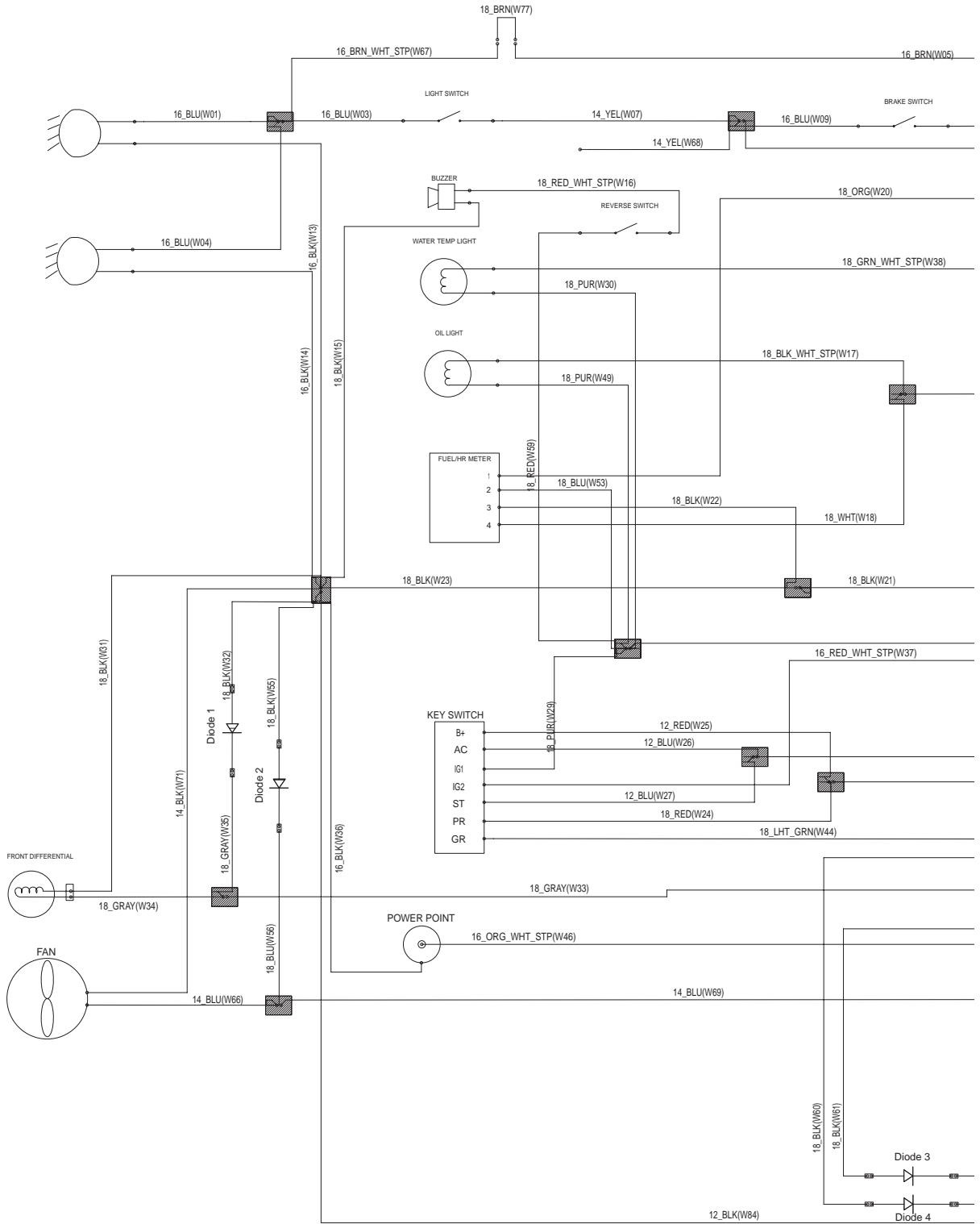
**G**

**D**

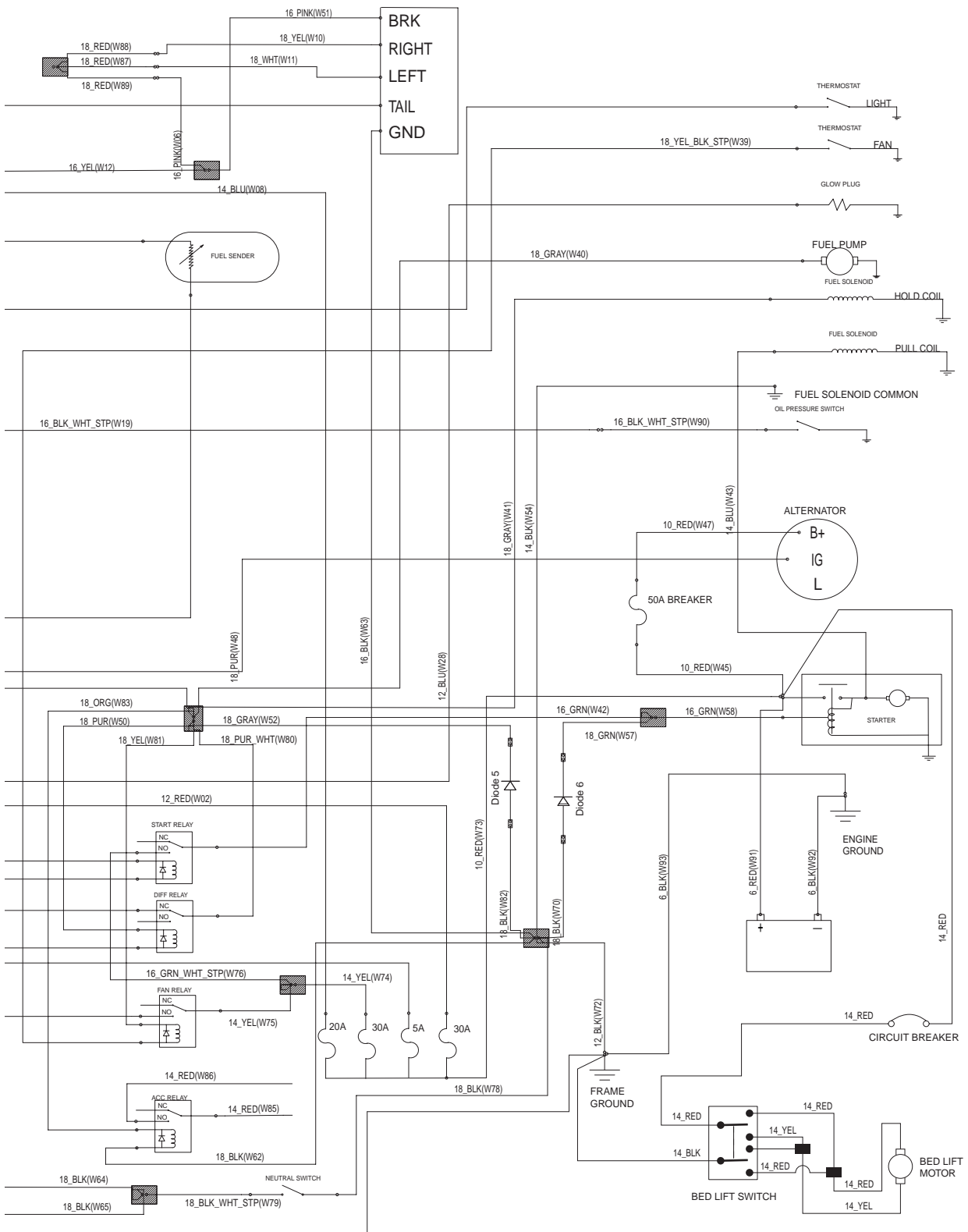
7  
G

D

# DIESEL VEHICLE



000002-002



000002-002

**7**

**G**

**D**

See previous two pages for illustration.

# WIRING – DIESEL VEHICLES

ITEM	PART NO.	DESCRIPTION	QTY
1	603 00 10-60	1 2 3 4 Wire Harness, Awd, Diesel .....	1

7

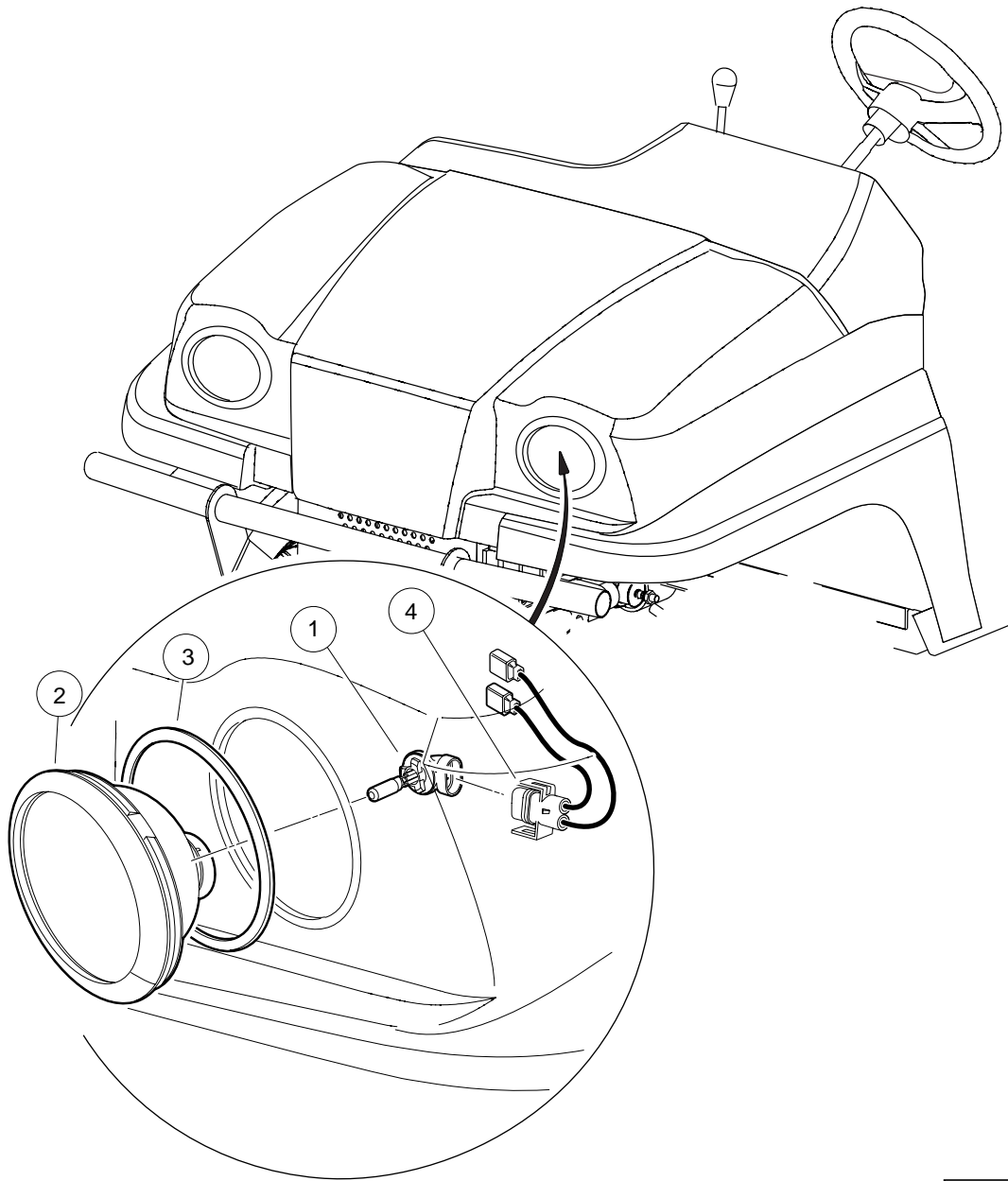
G

D

7

G

D



000163-001



# HEADLIGHTS

ITEM	PART NO.	DESCRIPTION	QTY
		1 2 3 4	
1	603 00 16-77	Assembly, Headlight .....	2
2	603 00 17-98	Spacer, Headlight, Oval .....	2
3	603 00 17-99	Harness, Headlight .....	2
4	603 00 19-41	Bulb, Headlight, Oval .....	A/R

**7**

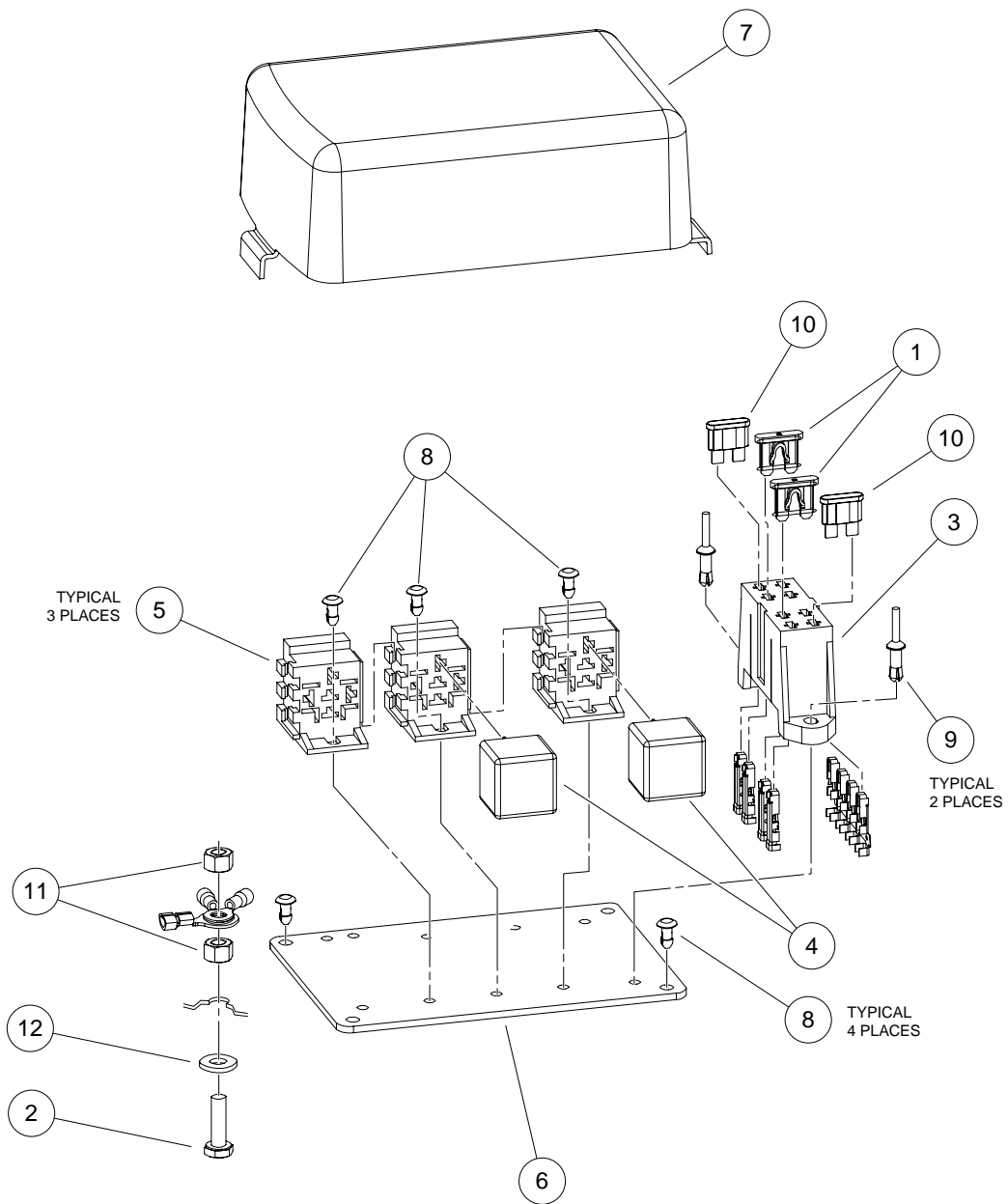
**G**

**D**

7

G

D



FRONT  
OF VEHICLE

000076-001

# ELECTRICAL COMPONENT BOX, GASOLINE VEHICLES

ITEM	PART NO.	DESCRIPTION	QTY
		1 2 3 4	
1	603 00 01-35	Fuse, 10-Amp .....	2
2	N/A	Screw, 1/4-20 X .88 Hex Hd Cap .....	1
3	603 00 02-67	Fuse Block .....	1
4	603 00 09-92	Relay, Mini ISO, SPDT .....	2
5	****	Connector, Relay .....	3
6	603 00 09-93	Plate, Electrical .....	1
7	603 00 09-94	Cover, Electrical .....	1
8	603 00 10-67	Fastener, Push-in .....	7
9	603 00 10-68	Rivet, Drive .....	2
10	603 00 11-77	Fuse, 25-Amp .....	2
11	603 00 00-64	Locknut, 1/4-20 Dimpled .....	2
12	603 00 00-54	Washer, 1/4 Type A Narrow Flat .....	1
		**** Special order item available upon request.	

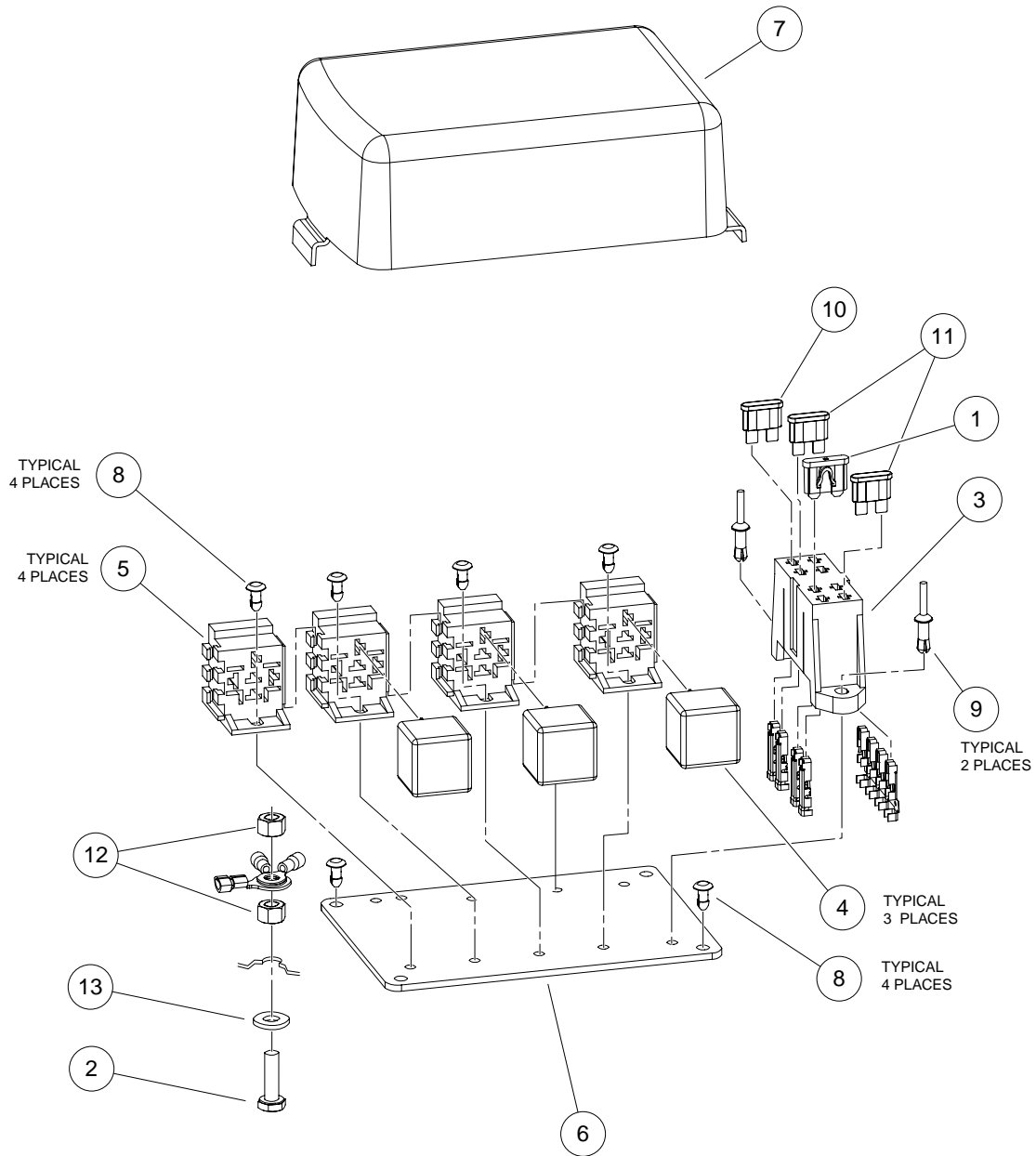
7

G

D

**7**  
**G**

**D**



FRONT  
OF VEHICLE

000076-002

# ELECTRICAL COMPONENT BOX, DIESEL VEHICLES

ITEM	PART NO.	DESCRIPTION	QTY
		1 2 3 4	
1	603 00 01-35	Fuse, 10-Amp .....	1
2	N/A	Screw, 1/4-20 X .88 Hex Hd Cap .....	1
3	603 00 02-67	Fuse Block .....	1
4	603 00 09-92	Relay, Mini ISO, SPDT .....	3
5	****	Connector, Relay .....	4
6	603 00 09-93	Plate, Electrical .....	1
7	603 00 09-94	Cover, Electrical .....	1
8	603 00 10-67	Fastener, Push-in .....	8
9	603 00 10-68	Rivet, Drive .....	2
10	603 00 11-77	Fuse, 25-Amp .....	1
11	603 00 11-78	Fuse, 30-Amp .....	2
12	603 00 00-64	Locknut, 1/4-20 Dimpled .....	2
13	603 00 00-54	Washer, 1/4 Type A Narrow Flat .....	1
		**** Special order item available upon request.	

7

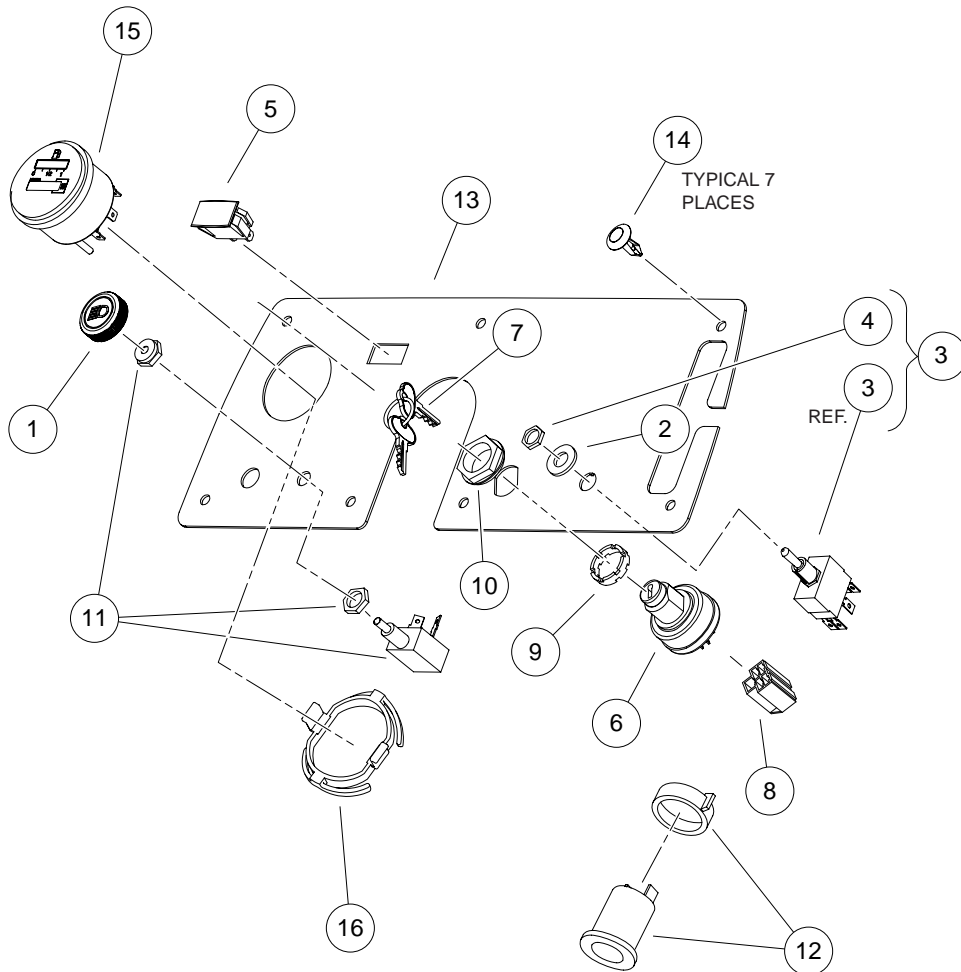
G

D

7

G

D



000080-003

# ELECTRICAL COMPONENTS, INSTRUMENT PANEL, GASOLINE VEHICLES

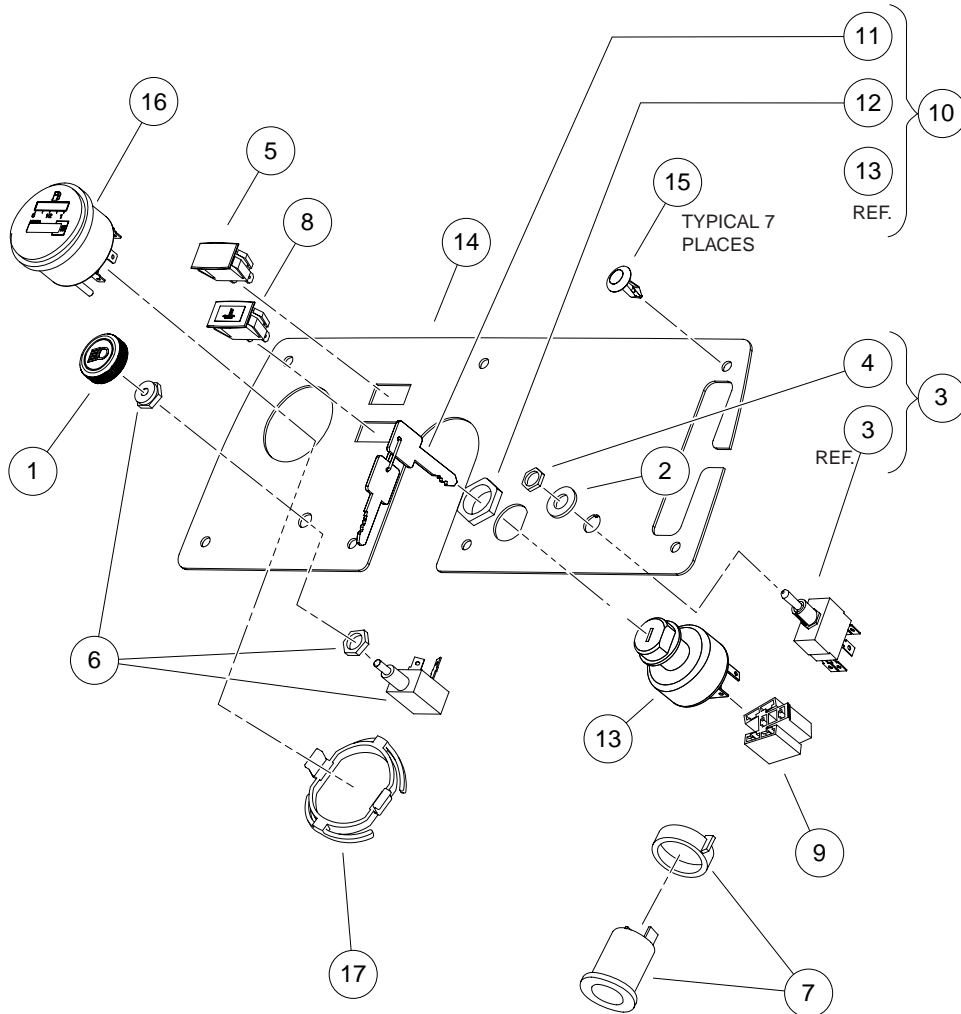
ITEM	PART NO.	DESCRIPTION	QTY
		1 2 3 4	
1	603 00 01-91	Knob, Light Switch .....	1
2	603 00 02-72	Washer, 7/16 Flat .....	1
3	603 00 04-93	Toggle Switch (includes item 4) .....	1
4	N/A	Nut, Toggle Switch .....	1
5	603 00 03-66	Light, Oil .....	1
6	603 00 07-27	Key Switch 12v Key Start .....	1
7	603 00 07-28	Key Set .....	1
8	N/A	Connector, 5 Way, Female .....	1
9	603 00 07-60	Spacer, Keyswitch .....	1
10	603 00 07-61	Nut, Key Switch .....	1
11	603 00 07-62	Switch, Light .....	1
12	603 00 08-01	Receptacle, Accessory .....	1
13	603 00 09-20	Panel, Instrument - Gas .....	1
14	603 00 06-95	Rivet, Removable, Tuflok 1/4" .....	7
15	603 00 41-68	Gauge Fuel-hour Sep Gnd .....	1
16	603 00 41-69	Clip, Meter, Round .....	1

**7**  
**G**  
**D**

7

G

D



000080-004



# ELECTRICAL COMPONENTS, INSTRUMENT PANEL, DIESEL VEHICLES

ITEM	PART NO.	DESCRIPTION	QTY
		1 2 3 4	
1	603 00 01-91	Knob, Light Switch .....	1
2	603 00 02-72	Washer, 7/16 Flat .....	1
3	603 00 04-93	Toggle Switch (includes item 4) .....	1
4	N/A	Nut, Toggle Switch .....	1
5	603 00 03-66	Light, Oil .....	1
6	603 00 07-62	Switch, Light .....	1
7	603 00 08-01	Receptacle, Accessory .....	1
8	603 00 09-22	Light, Indicator, Coolant Temp .....	1
9	N/A	Connector, 6 Way, 56 Series .....	1
10	603 00 10-97	Switch, Key (includes items 11 through 13) .....	1
11	603 00 17-54	Key Set (1 pair) .....	1
12	N/A	Nut, Key Switch .....	1
13	N/A	Switch, Key without Nut .....	1
14	603 00 09-21	Panel, Instrument - Diesel .....	1
15	603 00 06-95	Rivet, Removable, Tuflok 1/4" .....	7
16	603 00 41-68	Gauge Fuel-hour Sep Gnd .....	1
17	603 00 41-69	Clip, Meter, Round .....	1

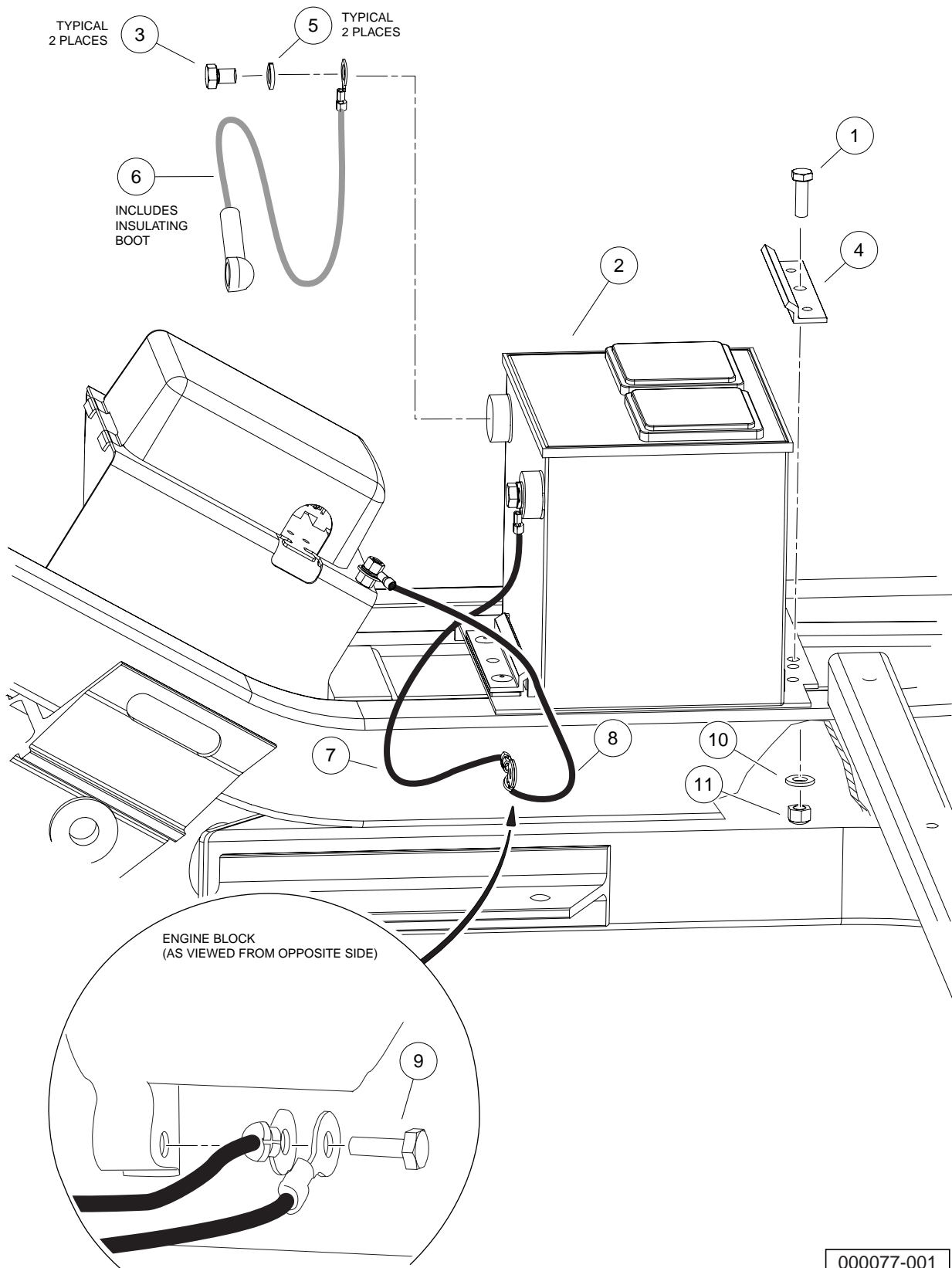
7

G

D

**7**  
**G**

**D**



# BATTERY – GASOLINE VEHICLES

ITEM	PART NO.	DESCRIPTION	QTY
		1 2 3 4	
1	603 00 01-16	Screw, 5/16-18 X 1.00 Hex Cap .....	1
2	603 00 00-02	Battery, 12-Volt .....	1
3	603 00 02-24	Screw, 3/8-16 X 0.50 Stainless Steel Hex-Head .....	2
4	603 00 05-76	Clamp, Battery .....	1
5	603 00 08-90	Lockwasher, 3/8 Stainless Stl .....	2
6	603 00 10-50	Asm, #6 Red Wire .....	1
7	603 00 10-51	Asm, #6 Blk Wire .....	1
8	603 00 10-52	Asm, #6 Blk Wire .....	1
9	603 00 11-67	Bolt, M6 X 1 X 16 Loctite .....	1
10	603 00 00-65	Washer, 5/16 Type A Flat .....	1
11	603 00 00-78	Locknut, 5/16-18 Nylon Insert .....	1

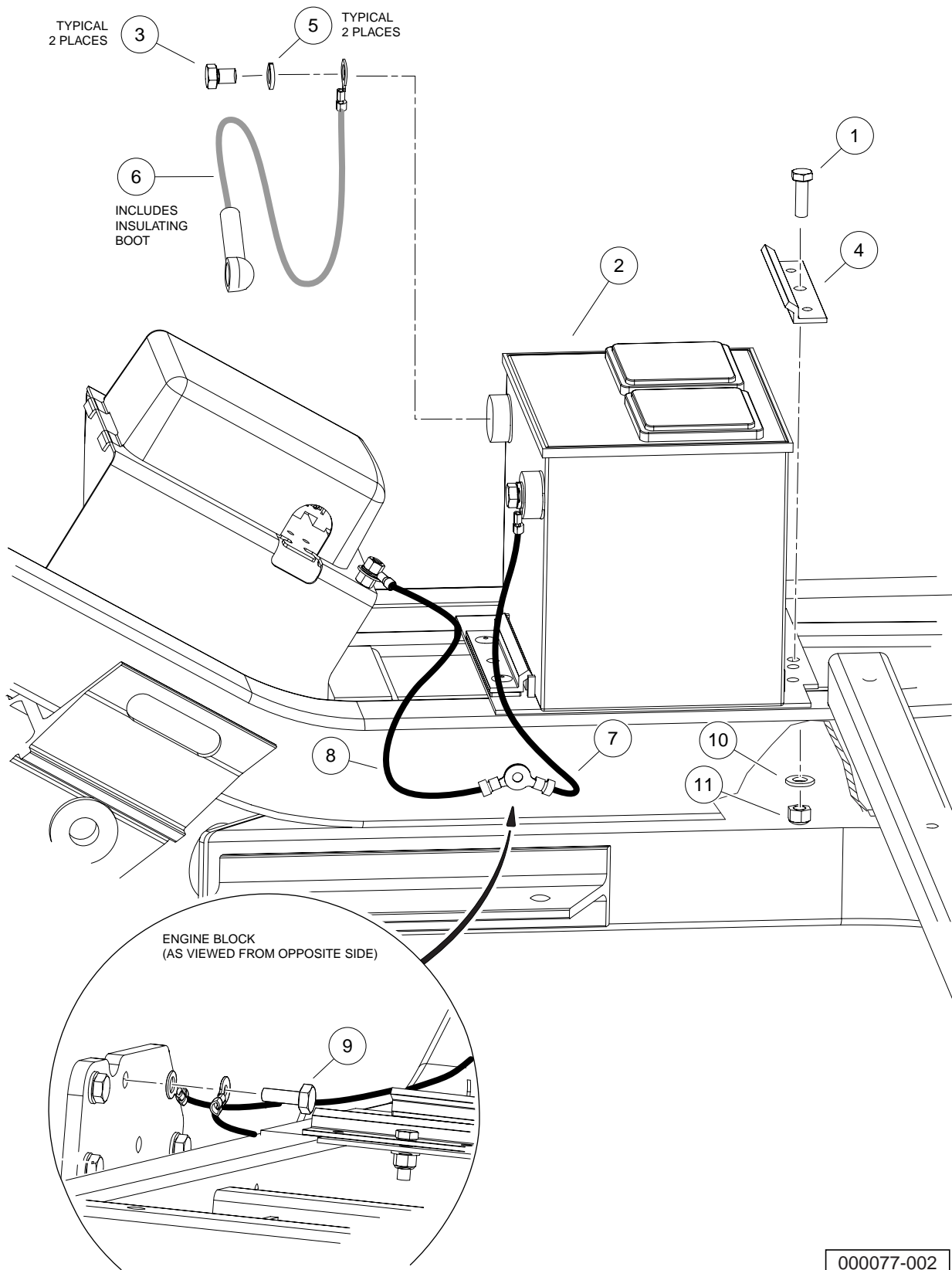
**7**

**G**

**D**

**7**  
**G**

**D**



000077-002

# BATTERY – DIESEL VEHICLES

ITEM	PART NO.	DESCRIPTION	QTY
		1 2 3 4	
1	603 00 01-16	Screw, 5/16-18 X 1.00 Hex Cap .....	1
2	603 00 00-02	Battery, 12-Volt .....	1
3	603 00 02-24	Screw, 3/8-16 X 0.50 Stainless Steel Hex-Head .....	2
4	603 00 05-76	Clamp, Battery .....	1
5	603 00 08-90	Lockwasher, 3/8 Stainless Stl .....	2
6	603 00 10-50	Asm, #6 Red Wire .....	1
7	603 00 10-69	Wire Asm, #6 Blk, Awd, 350 .....	1
8	603 00 10-70	Wire Asm, #6 Blk, Awd, 325 .....	1
9	603 00 11-91	Bolt, M10 X 1.25 X 25 Loctite .....	1
10	603 00 00-65	Washer, 5/16 Type A Flat .....	1
11	603 00 00-78	Locknut, 5/16-18 Nylon Insert .....	1

**7**

**G**

**D**

**7**

**G**

**D**

## Free Manuals Download Website

<http://myh66.com>

<http://usermanuals.us>

<http://www.somanuals.com>

<http://www.4manuals.cc>

<http://www.manual-lib.com>

<http://www.404manual.com>

<http://www.luxmanual.com>

<http://aubethermostatmanual.com>

Golf course search by state

<http://golfingnear.com>

Email search by domain

<http://emailbydomain.com>

Auto manuals search

<http://auto.somanuals.com>

TV manuals search

<http://tv.somanuals.com>