



# Husqvarna®

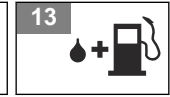
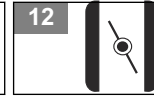
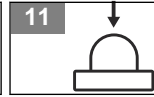
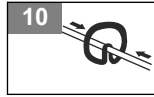
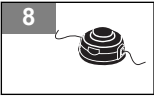
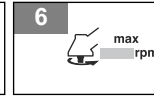
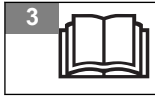
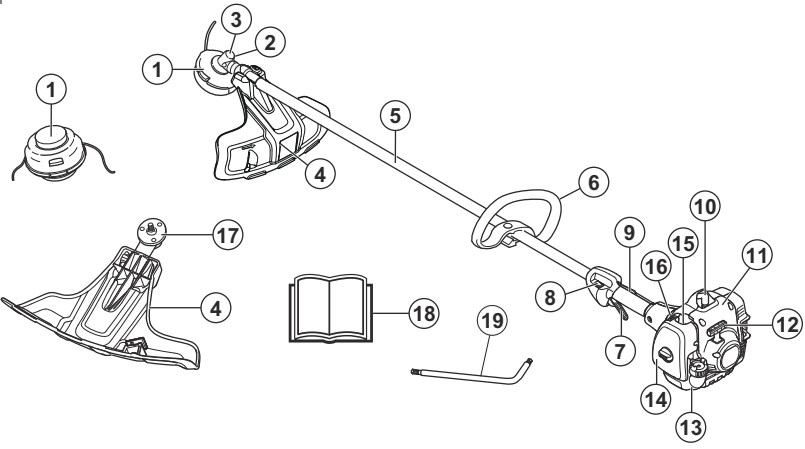


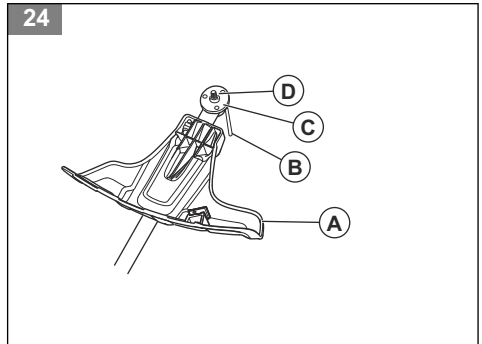
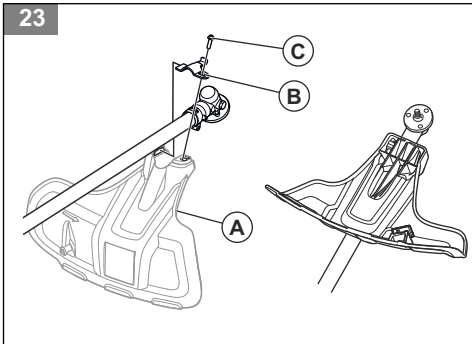
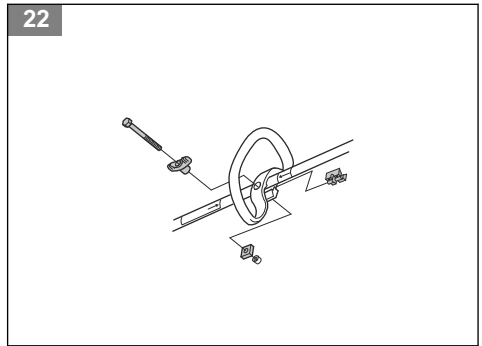
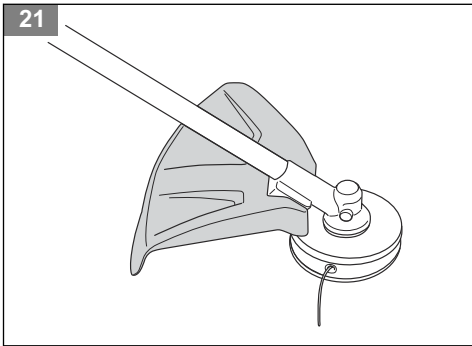
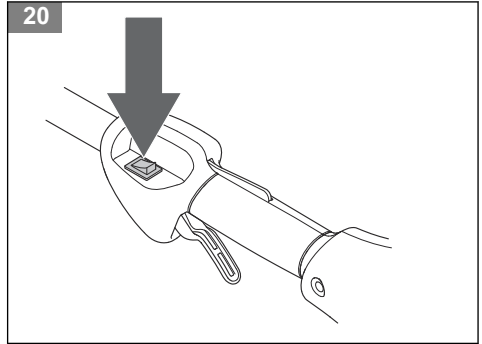
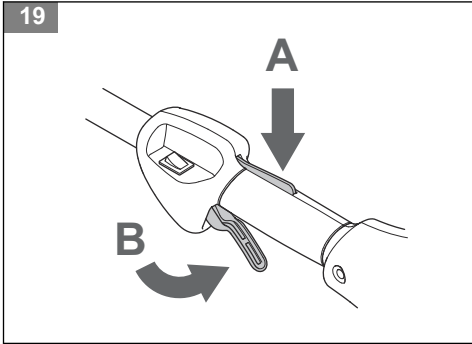
## 325L

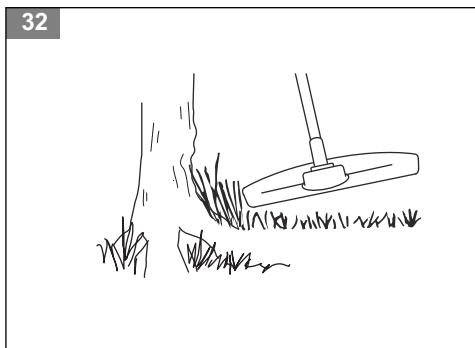
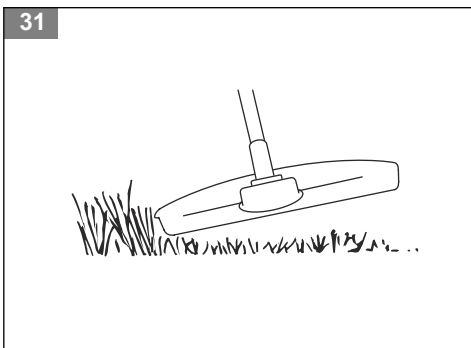
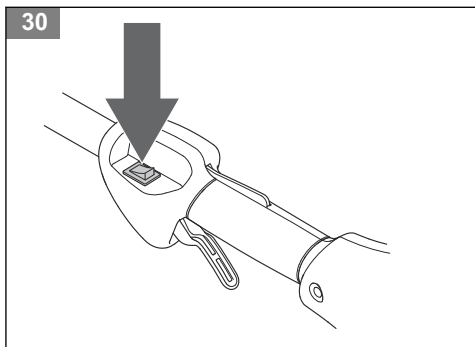
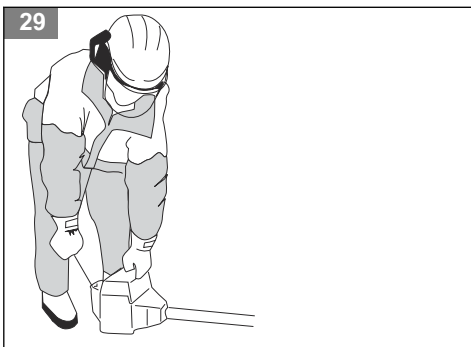
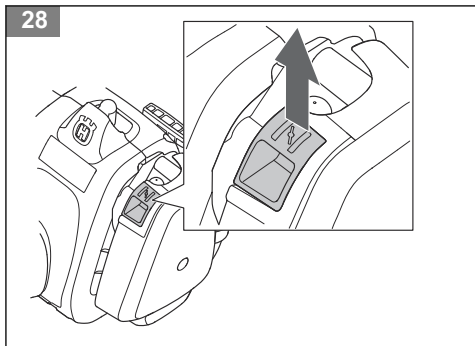
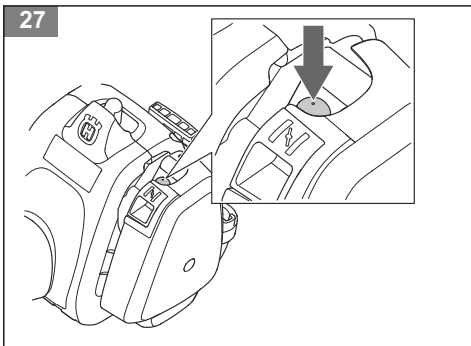
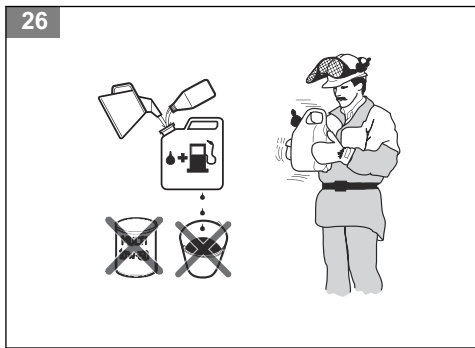
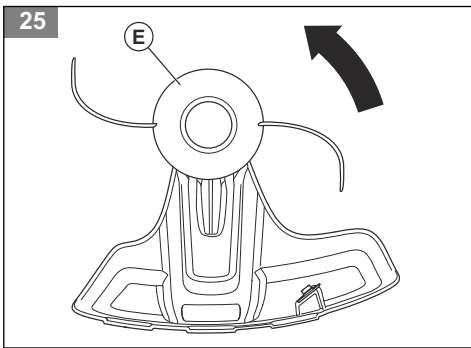


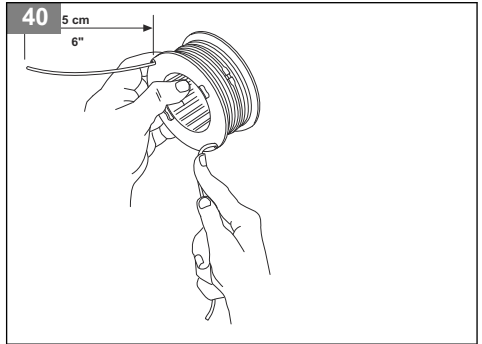
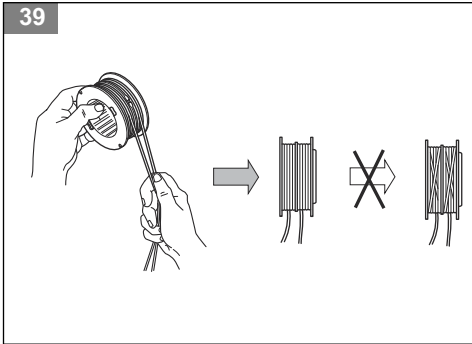
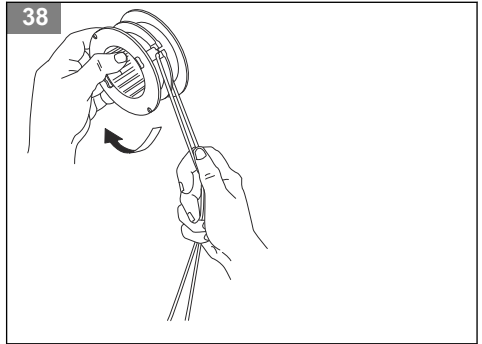
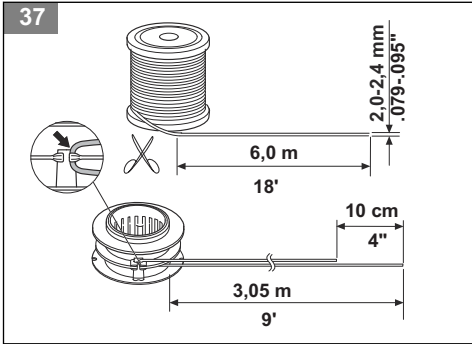
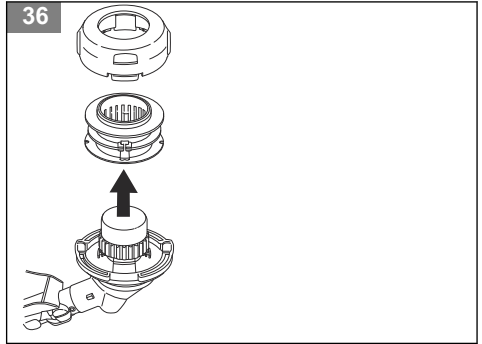
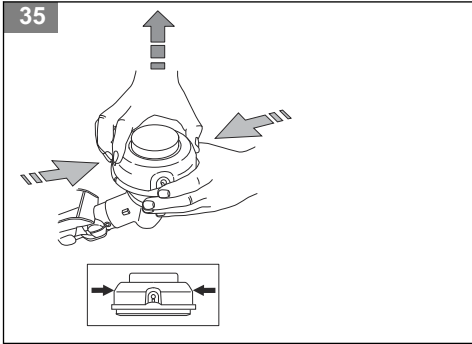
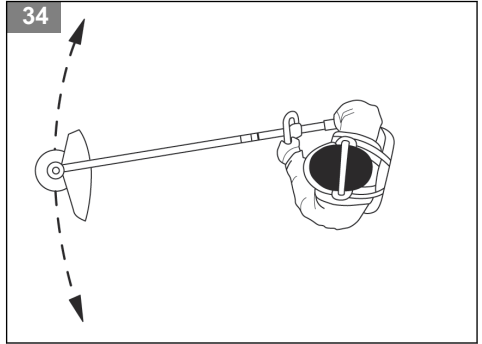
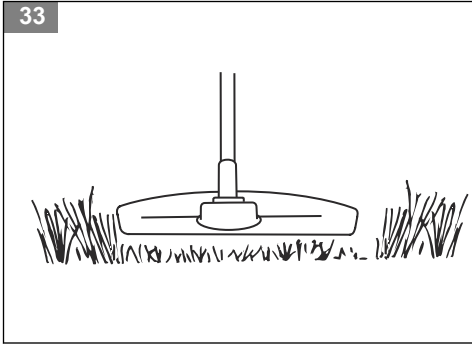
EN	Operator's manual	8-19
BG	Ръководство за експлоатация	20-33
BS	Korisnički priručnik	34-45
CS	Návod k použití	46-57
DA	Brugsanvisning	58-69
DE	Bedienungsanweisung	70-82
EL	Οδηγίες χρήσης	83-96
ES	Manual de usuario	97-109
ET	Kasutusjuhend	110-121
FI	Käyttöohje	122-133
FR	Manuel d'utilisation	134-146
HR	Priručnik za korištenje	147-158
HU	Használati utasítás	159-171
IT	Manuale dell'operatore	172-184
LT	Operatoriaus vadovas	185-196
LV	Lietošanas pamācība	197-208
NL	Gebruiksaanwijzing	209-221
NO	Bruksanvisning	222-233
PL	Instrukcja obsługi	234-246
PT	Manual do utilizador	247-259
RO	Instrucțiuni de utilizare	260-272
RU	Руководство по эксплуатации	273-286
SK	Návod na obsluhu	287-298
SL	Navodila za uporabo	299-310
SR	Priručnik za rukovaoca	311-322
SV	Bruksanvisning	323-334
TR	Kullanım kılavuzu	335-346
UK	Посібник користувача	347-359

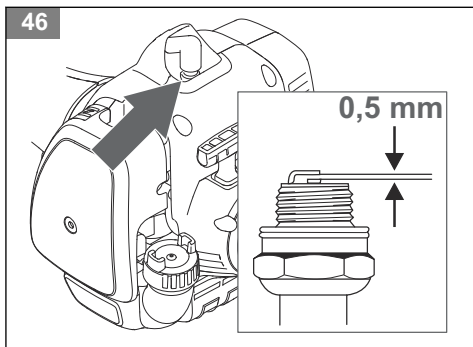
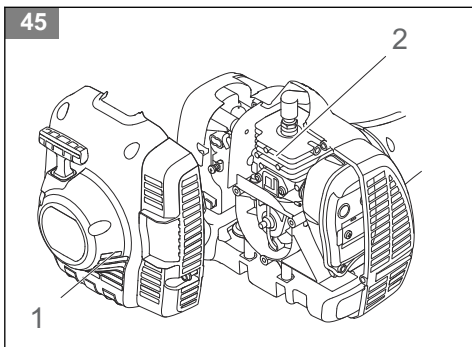
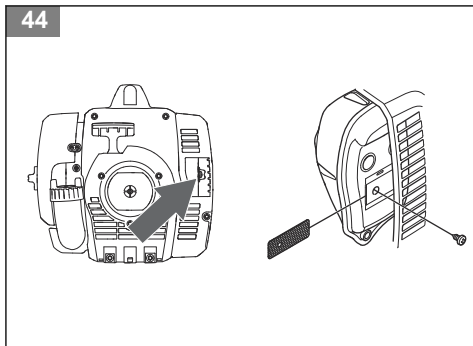
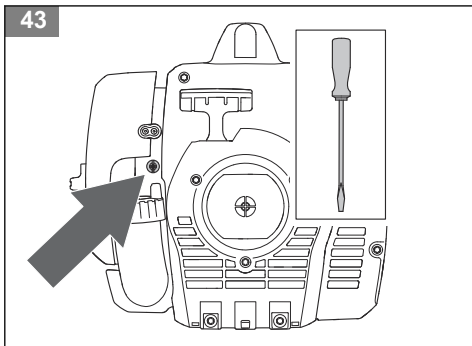
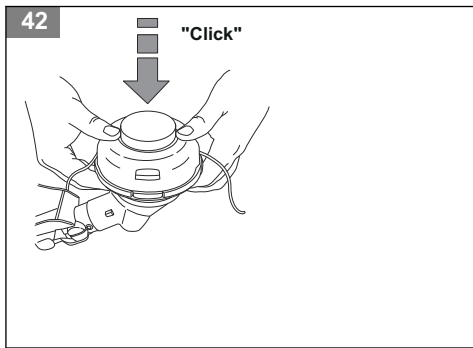
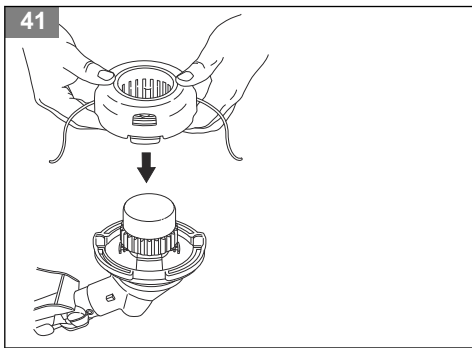
A05328CSHV

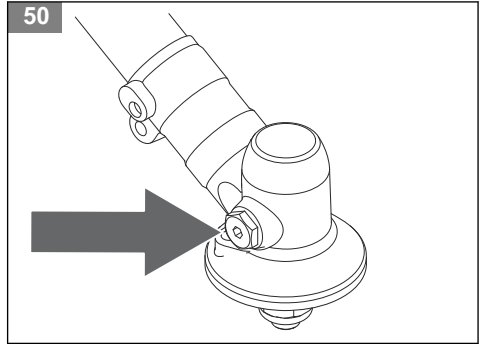
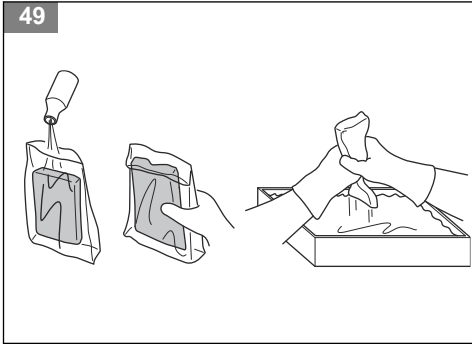
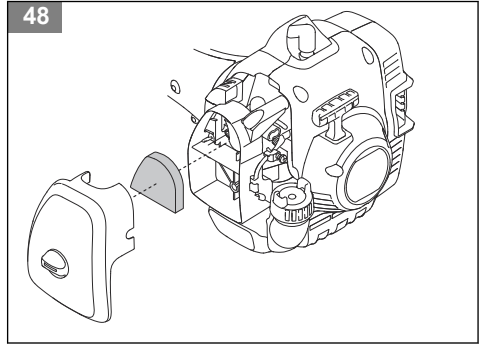
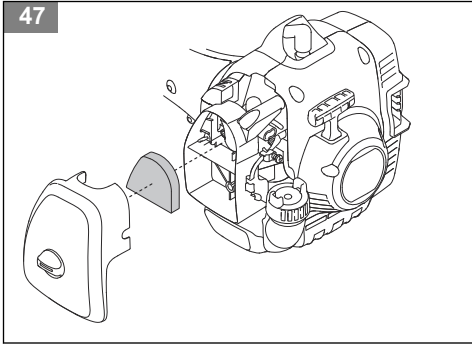












---

# Contents

---

<b>Introduction</b> .....	<b>8</b>	<b>Troubleshooting</b> .....	<b>16</b>
<b>Safety</b> .....	<b>9</b>	<b>Transportation, storage and disposal</b> .....	<b>17</b>
<b>Assembly</b> .....	<b>12</b>	<b>Technical data</b> .....	<b>17</b>
<b>Operation</b> .....	<b>13</b>	<b>Accessories</b> .....	<b>18</b>
<b>Maintenance</b> .....	<b>15</b>	<b>EC Declaration of Conformity</b> .....	<b>19</b>

---

## Introduction

---

### Operator's manual

The initial language of this operator's manual is English. Operator's manuals in other languages are translations from English.

**Note:** National regulations can set limit to the operation of the product.

---

### Intended use

The product is used with a trimmer head to cut grass. Do not use the product for other tasks than grass trimming and grass clearing.

### Product overview

(Fig. 1)

1. Trimmer head
2. Grease filler cap
3. Bevel gear
4. Cutting attachment guard
5. Shaft
6. Loop handle
7. Throttle trigger
8. Stop switch
9. Throttle trigger lockout
10. Spark plug cap, spark plug
11. Starter housing
12. Starter rope handle
13. Fuel tank
14. Air filter cover
15. Air purge bulb
16. Choke control
17. Drive disc
18. Operator's manual
19. Star key

(Fig. 3) Please read the operator's manual carefully and make sure that you understand the instructions before use.

(Fig. 4) Use approved hearing protection. Use approved eye protection.

(Fig. 5) The product can cause objects to eject, which can cause injury.

(Fig. 6) Maximum speed of the output shaft.

(Fig. 7) Keep a minimum of 15 m / 50 ft distance to persons and animals during operation of the product.

(Fig. 8) Use only flexible trimmer line

(Fig. 9) Do not use metal cutting elements

(Fig. 10) The arrows show the limits for the position of the handle.

(Fig. 11) Air purge bulb.

(Fig. 12) Choke.

(Fig. 13) Refuelling.

(Fig. 14) Noise emission to the environment refer to the European Community's Directive. The emission of the product is specified in the Technical data chapter and on the label.

(Fig. 15) The product agrees with the applicable EC directives.

### Symbols on the product

(Fig. 2) **WARNING!** This product is dangerous. Injury or death can occur to the operator or bystanders if the product is not used carefully and correctly. To prevent injury to the operator or bystanders, read and obey all safety instructions in the operator's manual.



(Fig. 16) The product agrees with the applicable EAC directives.

The rating plate shows the serial number. **yyyy** is the production year, **ww** is the production week and **xxxx** is the sequential number.

yyyywwxxxx

**Note:** Other symbols/decals on the product refer to certification requirements for other commercial areas.

## Product liability

As referred to in the product liability laws, we are not liable for damages that our product causes if:

- the product is incorrectly repaired.
- the product is repaired with parts that are not from the manufacturer or not approved by the manufacturer.
- the product has an accessory that is not from the manufacturer or not approved by the manufacturer.
- the product is not repaired at an approved service center or by an approved authority.

## EU V



**WARNING:** Tampering with the engine voids the EU type-approval of this product.

## Safety

### Safety definitions

Warnings, cautions and notes are used to point out specially important parts of the manual.



**WARNING:** Used if there is a risk of injury or death for the operator or bystanders if the instructions in the manual are not obeyed.



**CAUTION:** Used if there is a risk of damage to the product, other materials or the adjacent area if the instructions in the manual are not obeyed.

**Note:** Used to give more information that is necessary in a given situation.

### Vibration safety

This product is for occasional operation only. Continuous or regular operation of the product can cause "white finger" or equivalent medical problems from vibrations. Examine the condition of your hands and fingers if you operate the product continuously or regularly. If your hands or fingers have discoloration, have pain, tingle, or are numb, stop work and speak to a physician immediately.

### General safety instructions



**WARNING:** Read the warning instructions that follow before you use the product.

- Use the product correctly. Injury or death is a possible result of incorrect use. Only use the product

for the tasks found in this manual. Do not use the product for other tasks.

- Obey the instructions in this manual. Obey the safety symbols and the safety instructions. If the operator does not obey the instructions and the symbols, injury, damage or death is a possible result.
- Do not discard this manual. Use the instructions to assemble, to operate and to keep your product in good condition. Use the instructions for correct installation of attachments and accessories. Only use approved attachments and accessories.
- Do not use a damaged product. Obey the maintenance schedule. Only do the maintenance work that you find an instruction about in this manual. An approved service center must do all other maintenance work.
- This manual cannot include all situations that can occur when you use the product. Be careful and use your common sense. Do not operate the product or do maintenance on the product if you are not sure about of the situation. Speak to a product expert, your dealer, service agent or approved service center for information.
- Disconnect the spark plug cable before you assemble the product, put the product into storage or do maintenance.
- Do not use the product if it is changed from its initial specification. Do not change a part of the product without approval from the manufacturer. Only use parts approved by the manufacturer. Injury or death is a possible result of incorrect maintenance.
- Do not breathe in the fumes from the engine. Long-term inhalation of the engine's exhaust fumes is a health risk.
- Do not start the product indoors or near flammable material. The exhaust fumes are hot and can contain a spark which can start a fire. Not sufficient airflow

can cause injury or death because of asphyxiation or carbon monoxide.

- When you use this product the engine makes an electromagnetic field. The electromagnetic field can cause damage to medical implants. Speak to your physician and medical implant manufacturer before you operate the product.
- Do not let a child operate the product. Do not let a person without knowledge of the instructions operate the product.
- Make sure that you always monitor a person, with decreased physical capacity or mental capacity, that uses the product. A responsible adult must be there at all times.
- Lock the product in an area that children and unapproved persons cannot access.
- The product can eject objects and cause injuries. Obey the safety instructions to decrease the risk of injury or death.
- Do not go away from the product when the engine is on.
- The operator of the product is responsible if an accident occurs.
- Make sure that parts are not damaged before you use the product.
- Make sure that you are at minimum 15 m (50 ft) away from other persons or animals before you use the product. Make sure that persons in the adjacent area know that you will use the product.
- Refer to national or local laws. They can prevent or decrease the operation of the product in some conditions.
- Do not use the product if you are fatigued or influenced by alcohol, drugs or medicine. They can have effects on your vision, alertness, coordination or judgment.

## Safety instructions for assembly



**WARNING:** Read the warning instructions that follow before you use the product.

- Remove the spark plug cap from the spark plug before you assemble the product.
- Use approved protective gloves.
- Make sure that you assemble the cover and shaft correctly before you start the engine.

## Safety instructions for operation

- Make sure the product is fully assembled before you use it.
- Before a start, move the product 3 m (10 ft) away from the position where you filled the fuel tank. Put the product on a flat surface. Make sure that the cutting attachment does not touch the ground or other objects.

- The product can cause objects to eject, which can cause damage to the eyes. Always use an approved eye protection when you operate the product.
- Be careful, a child can come near the product without your knowledge during operation.
- Do not operate the product if there are persons in the work area. Stop the product if a person goes into the work area.
- Make sure that you are always in control of the product.
- Do not use the product if you cannot receive aid if an accident occurs. Always make sure others know you will operate the product before you start to operate the product.
- Do not turn with the product before you make sure that no persons or animals are in the safety area.
- Remove all unwanted materials from the work area before you start. If the cutting attachment hits an object, the object can eject and cause injury or damage. Unwanted material can wind around the cutting attachment and cause damage.
- Do not use the product in bad weather (fog, rain, strong winds, risk of lightning or other weather conditions.). Dangerous conditions (such as slippery surfaces) can occur because of bad weather.
- Make sure that you can move freely and work in a stable position.

(Fig. 17)

- Make sure that you cannot fall when you use the product. Do not tilt when you operate the product.
- Always hold the product with your two hands. Hold the product on the right side of your body.

(Fig. 18)

- Operate the product with the cutting attachment below your waist.
- If the choke control is in the choke position when the engine starts, the cutting attachment starts to turn.
- Do not touch the bevel gear after the engine stops. The bevel gear is hot after the engine stops. Hot areas can cause injury.
- Stop the engine before you move the product.
- Do not put down the product with the engine on.
- Before you remove the unwanted materials from the product, stop the engine and wait until the cutting attachment stops. Let the cutting attachment stop before you or an aid remove the cut material.

## Personal protective equipment



**WARNING:** Read the warning instructions that follow before you use the product.

- Always use correct personal protective equipment when you operate the product. The personal protective equipment does not erase the risk of injury. The personal protective equipment decreases the grade of injury if an accident occurs.

- Always use an approved eye protection while you operate the product.
- Do not operate the product with bare feet or with open shoes. Always use heavy-duty slip-resistant boots.
- Use heavy, long pants.
- If it is necessary, use approved protective gloves.
- Use a helmet if it is possible that objects fall on your head.
- Always use approved ear protection while you operate the product. Noise for a long period can cause noise-induced hearing loss.
- Make sure that you have a first aid kit near.

## Safety devices on the product



**WARNING:** Read the warning instructions that follow before you use the product.

- Do not use a product with defective safety devices.
- Do a check of the safety devices regularly. Refer to *Product overview on page 8*.
- If the safety devices are defective, speak to your Husqvarna servicing dealer.

### Throttle trigger lockout

The throttle trigger lockout locks the throttle trigger. (Fig. 19)

Push the throttle trigger lockout (A) to release the throttle trigger (B). When you release the handle, the throttle trigger lockout and the throttle trigger go back to their initial positions.

1. Make sure that the throttle trigger (B) is locked at idle when you release the throttle trigger lockout (A).
2. Push the throttle trigger lockout (A) and make sure that it goes back to its initial position when you release it.
3. Push the throttle trigger (B) and make sure that it goes back to its initial position when you release it.

Start the engine, and then apply full throttle. Release the throttle trigger and examine if the cutting attachment stops. If the cutting attachment turns with the throttle in the idle position, examine the idle adjustment screw of the carburetor.

### Stop switch

Start the engine. Make sure that the engine stops when you move the stop switch to the stop position.

(Fig. 20)

### Cutting attachment guard

The cutting attachment guard prevents a loose object to eject in the direction of the operator.

(Fig. 21)

Examine the cutting attachment guard for damage and replace if it is damaged. Only use the approved guard for the cutting attachment.

### Muffler

- Do not use an engine with a damaged muffler. A damaged muffler increases the noise level and the risk of fire. Keep a fire extinguisher near.
- Examine regularly that the muffler is attached to the product.
- Do not touch the engine or the muffler when the engine is on. Do not touch the engine or the muffler for a while after the engine stops. Hot surfaces can cause injuries.
- A hot muffler can cause a fire. Be careful, if you use the product near flammable liquids or fumes.
- Do not touch the parts in the muffler, if the muffler is damaged. The parts can contain some carcinogenic chemicals.

### Cutting attachment



**WARNING:** Read the warning instructions that follow before you use the product.

- Do the regular maintenance. Let an approved service center regularly examine the cutting attachment to do adjustments or repairs.
  - The performance of the cutting attachment increases.
  - The life of the cutting attachment increases.
  - The risk of accidents decreases.
- Only use an approved cutting attachment guard. For more information, see *Accessories on page 18*.
- Do not use a damaged cutting attachment.

### Fuel safety



**WARNING:** Read the warning instructions that follow before you use the product.

- Do not mix the fuel indoor or near a heat source.
- Do not start the product if there is fuel or engine oil on the product. Remove the unwanted fuel/oil and let the product dry. Remove unwanted fuel from the product.
- If you spill fuel on your clothing, change clothing immediately.
- Do not get fuel on your body, it can cause injury. If you get fuel on your body, use a soap and water to remove the fuel.
- Do not start the engine if you spill oil or fuel on the product or on your body.
- Do not start the product if the engine has a leak. Examine the engine for leaks regularly.

- Be careful with fuel. Fuel is flammable and the fumes are explosive and can cause injuries or death.
- Do not breathe in the fuel fumes, it can cause injury. Make sure that there is a sufficient airflow.
- Do not smoke near the fuel or the engine.
- Do not put warm objects near the fuel or the engine.
- Do not add the fuel when the engine is on.
- Make sure that the engine is cool before you refuel.
- Before you refuel, open the fuel tank cap slowly and release the pressure carefully.
- Do not add fuel to the engine in an indoor area. Not sufficient airflow can cause injury or death because of asphyxiation or carbon monoxide.
- Tighten the fuel tank cap carefully or a fire can occur.
- Move the product at a minimum of 3 m (10 ft) from the position where you filled the tank before a start.
- Do not put too much fuel in the fuel tank.
- Make sure that a leak cannot occur when you move the product or fuel container.
- Do not put the product or a fuel container where there is an open flame, spark or pilot light. Make sure that the storage area does not contain an open flame.
- Only use approved containers when you move the fuel or put the fuel into storage.

- Empty the fuel tank before long-term storage. Obey the local law on where to dispose fuel.
- Clean the product before long-term storage.
- Remove the spark plug cable before you put the product into storage to make sure that the engine does not start accidentally.

## Safety instructions for maintenance



**WARNING:** Read the warning instructions that follow before you do maintenance on the product.

- Do only the maintenance and servicing given in this operator's manual. Let professional servicing personnel do all other servicing and repairs.
- Regularly do the safety checks, maintenance and service instructions given in this manual. Regular maintenance increases the life of the product and decreases the risk of accidents. Refer to *Maintenance schedule on page 15* for instructions.
- If the safety checks in this operator's manual is not approved after you do maintenance, speak to your servicing dealer. We guarantee that there are professional repairs and servicing available for your product.

## Assembly

### Introduction



**WARNING:** Before you assemble the product, you must read and understand the safety chapter.



**WARNING:** Remove the spark plug cable from the spark plug before you assemble the product.

### To assemble the loop handle

1. Put the loop handle between the arrows on the shaft.
2. Tighten the bolt to attach the loop handle to the shaft. (Fig. 22)

### To assemble the cutting attachment

#### To assemble the cutting attachment guard

1. Put the cutting attachment guard (A) onto the shaft. (Fig. 23)

2. Put the bracket (B) in the slot on the cutting attachment guard.
3. Attach the bolt (C) through the hole on the bracket to the cutting attachment guard.

#### To attach the trimmer head

1. Make sure that the cutting attachment guard (A) is attached to the product. Refer to *To assemble the cutting attachment guard on page 12*. (Fig. 24)
2. Make sure that the drive disc (C) is attached to the output shaft (D).
3. Put the star key (B) in the hole to lock the shaft.
4. Put the trimmer head (E) on the output shaft.
5. Turn the trimmer head counterclockwise to tighten it to the output shaft. (Fig. 25)
6. Remove the star key.

# Operation

## Introduction



**WARNING:** Before you operate the product, you must read and understand the safety chapter.

## Fuel

This product has a two-stroke engine.



**CAUTION:** Incorrect type of fuel can result in engine damage. Use a mixture of gasoline and two-stroke oil.

## Premixed fuel

- Use Husqvarna premixed alkylate fuel of a good quality, for best performance and extension of the engine life. This fuel contains less harmful chemicals compared to regular fuel, which decreases harmful exhaust fumes. The quantity of remains after combustion is lower with this fuel, which keeps the components of the engine more clean.

## To mix fuel

### Gasoline



**CAUTION:** Do not use gasoline with an octane number less than 90 RON (87 AKI). This can cause damage to the product.



**CAUTION:** Do not use gasoline with more than 10% ethanol concentration (E10). This can cause damage to the product.

- Always use new unleaded gasoline with a minimum octane number of 90 RON (87 AKI) and with less than 10% ethanol concentration (E10).
- Use gasoline with a higher octane number if you frequently use the product at continuously high engine speed.

### Two-stroke oil

- For best results and performance use Husqvarna two-stroke oil.
- If Husqvarna two-stroke oil is not available, use a two-stroke oil of good quality for air-cooled engines. Speak to your servicing dealer to select the correct oil.



**CAUTION:** Do not use two-stroke oil for water-cooled outboard engines, also referred to as outboard oil. Do not use oil for four-stroke engines.

## To mix gasoline and two-stroke oil

Gasoline, liter	Two-stroke oil, liter
	<b>2% (50:1)</b>
5	0.10
10	0.20
15	0.30
20	0.40



**CAUTION:** Small errors can influence the ratio of the mixture drastically when you mix small quantities of fuel. Measure the quantity of oil carefully and make sure that you get the correct mixture.

(Fig. 26)

1. Fill half the quantity of gasoline in a clean container for fuel.
2. Add the full quantity of oil.
3. Shake the fuel mixture.
4. Add the remaining quantity of gasoline to the container.
5. Carefully shake the fuel mixture.



**CAUTION:** Do not mix fuel for more than 1 month at a time.

## To add fuel

- Always use a fuel container with an antispill valve.
- If there is some fuel on the container, remove the unwanted fuel and let the container dry.
- Make sure that the area near the fuel tank cap is clean.
- Shake the fuel container before you add the fuel mixture to the fuel tank.

## To do a run-in

- During the first 10 hours of operation, do not apply full throttle without load for extended periods.

## To start and stop

### To examine before start

1. Make sure that the product has no missing, damaged, loose or worn parts.
2. Make sure that nuts, screws and bolts are tightened.
3. Make sure that the trimmer head is not damaged.

4. Make sure that the air filter is not clogged.
5. Make sure that the safety devices on the product is not defective.
6. Make sure that the product has no fuel leaks.

### To start a cold engine

1. Push the air purge bulb 10 times. (Fig. 27)
2. Pull the choke control up. (Fig. 28)
3. Hold the body of the product on the ground with your left hand. (Fig. 29) Do not step on the product. Pull the starter rope handle slowly until you feel some resistance. Then pull the starter rope handle with force.

---

**Note:** Do not pull the throttle trigger while you start the engine.

---

4. Continue to pull the starter rope handle until the engine starts or tries to start (max. 3 pulls). If the engine starts or tries to start, push the choke control down. Continue to pull until the engine starts. Wait 60 seconds after a start before you pull the throttle trigger.



**CAUTION:** Do not pull the starter rope until it stops. Do not let go of the starter rope when it is fully extended. Release the starter rope slowly. Failure to obey these instructions can cause damage to the engine.

---

### To start a warm engine

1. Push the air purge bulb 10 times.
2. Pull the starter rope until the engine starts.

### To start the engine when the fuel is too hot

If the product does not start, the fuel can be too hot.

**Note:** Always use new fuel and decrease the operation time during warm weather.

---

1. Put the product in a cool area away from open sunlight.
2. Let the product cool down for 20 minutes at minimum.
3. Press the air purge bulb again and again for 10-15 seconds.
4. Obey the procedure to start a cold engine. Refer to *To start a cold engine on page 14*.

### To stop

- Push the stop switch to stop the engine. (Fig. 30)
- 

**Note:** The stop switch automatically goes back to its initial position.

---

## To operate the grass trimmer



**CAUTION:** Make sure that you slow the engine to idle speed after each operation. A long period at full throttle without a load on the engine can cause damage to the engine.

---

**Note:** Clean the cover of the trimmer head when you attach a new trimmer line to prevent vibrations. Examine other parts of the trimmer head and clean if it is necessary.

---

### To trim the grass

1. Hold the trimmer head immediately above the ground at an angle. Do not push the trimmer line into the grass. (Fig. 31)
2. Decrease the length of the trimmer line by 10-12 cm / 4-4.75 in.
3. Decrease the engine speed to decrease the risk of damage to plants.
4. Use 80 % throttle when you cut grass near objects. (Fig. 32)

### To cut the grass

1. Make sure that the grass trimmer line is parallel to the ground when you cut. (Fig. 33)
2. Do not push the trimmer head to the ground. The ground and the product can be damaged.
3. Do not let the trimmer head touch the ground continuously, it can cause damage to the trimmer head.
4. Use full throttle when you move the product from side to side to cut grass. Make sure that the grass trimmer line is parallel to the ground. (Fig. 34)

## Grass trimmer head

- Make sure that you wind the grass trimmer line tightly and equally around the drum to decrease the vibration.
- Use only the approved grass trimmer heads and grass trimmer lines. See *Accessories on page 18*.
- Use a correct length of the grass trimmer line. A long grass trimmer line uses more engine power than a short grass trimmer line.
- Make sure that the cutter on the cutting attachment guard is not damaged.
- Soak the grass trimmer line in water for 2 days before you attach the grass trimmer line to the product. This increases the life of the grass trimmer line.

### To replace the trimmer line

- (Fig. 35)
- (Fig. 36)
- (Fig. 37)
- (Fig. 38)
- (Fig. 39)

---

## Maintenance

---

### Introduction



**WARNING:** Before you do maintenance, you must read and understand the safety chapter.

For all servicing and repair work on the product, special training is necessary. We guarantee the availability of professional repairs and servicing. If your dealer is not a service agent, speak to them for information about the nearest service agent.

### Maintenance schedule

#### Weekly maintenance

- Clean the external surfaces.
- Make sure that the cutting attachment does not move when on idle speed. Refer to *To adjust the idle speed on page 15*.
- Examine the level of grease in the bevel gear. Refer to *To add grease to the bevel gear on page 16*.

#### Monthly maintenance

- Make sure that the starter rope handle and the starter rope is not damaged.

#### Yearly maintenance

- Examine the spark plug. Refer to *To examine the spark plug on page 15*
- Clean the external surfaces of the carburetor and its adjacent areas.
- Clean the cooling system.
- Examine the spark arrester screen. Refer to *To do maintenance on the spark arrester screen on page 15*.
- Examine the fuel filter.
- Make sure that the fuel hose is not damaged.
- Make sure that cables and connections on the product is not damaged.

### To adjust the idle speed

- Make sure that the air filter is clean and the air filter cover is attached before you adjust the idle speed.
  - Adjust the idle speed with the idle adjustment screw T which is identified with "T" mark.
  - The idle speed is correct when the engine operates smoothly in all positions. The idle speed must be below the speed when the cutting attachment starts to turn.
1. Turn the idle adjustment screw clockwise until the cutting attachment starts to turn. (Fig. 43)
  2. Turn the idle adjustment screw counterclockwise until the cutting attachment stops.

### To do maintenance on the spark arrester screen

Use a wire brush to clean the spark arrester screen. (Fig. 44)

### To clean the cooling system

Clean the parts of the cooling system with a brush. (Fig. 45)

### To examine the spark plug



**CAUTION:** Use the recommended spark plug. Make sure that the replacement is the same as the manufacturer supplied part. An incorrect spark plug can cause damage to the product.

1. Examine the spark plug when:
  - a) the engine is low on power.
  - b) the engine is not easy to start.
  - c) the engine does not operate correctly at idle speed.
2. If, the engine is not easy to start or operate, examine the spark plug for unwanted materials. To decrease the risk of unwanted material on the spark plug electrodes:
  - a) make sure that the idle speed is correctly adjusted.
  - b) make sure that the fuel mixture is correct.
  - c) make sure that the air filter is clean.
3. Clean the spark plug if it is dirty. Examine that the electrode gap is correct. (Fig. 46)
4. Replace the spark plug when it is necessary.

### To do the maintenance to the air filter

#### To clean the air filter

1. Remove the air filter cover and remove the air filter. (Fig. 47)
2. Clean the air filter with warm soap water. Make sure that the air filter is dry before you install it.
3. Replace the air filter if it is too dirty to fully clean it. Always replace a damaged air filter.
4. If your product has a foam air filter, apply air filter oil. Only apply air filter oil to a foam filter. Do not apply oil to a felt filter.

## To apply air filter oil to the air filter



**CAUTION:** Always use special air filter oil on foam air filters. Do not use other types of oil.



**WARNING:** Do not get oil on your body.

1. Remove the air filter cover and remove the air filter. (Fig. 48)
2. Put the air filter in a plastic bag.

3. Put the air filter oil in the plastic bag. (Fig. 49)
4. Push the plastic bag to make sure the oil supplies equally across the air filter.
5. Push on the air filter, while in the bag, to remove the air filter oil that is not necessary. Remove the air filter from the bag.
6. Install the air filter.

## To add grease to the bevel gear

Make sure that the bevel gear is filled 3/4 full with bevel gear grease.

(Fig. 50)

# Troubleshooting

## The engine does not start

Check	Possible cause	Procedure
Stop switch.	The stop switch is in the stop position.	Set the stop switch to the start position.
Starter pawls.	The starter pawls cannot move freely.	Remove the starter cover and clean around the starter pawls.
		Let an approved service agent help you.
Fuel tank.	Incorrect fuel type.	Drain the fuel tank and fill with correct fuel.
Spark plug.	The spark plug is dirty or wet.	Make sure that the spark plug is dry and clean.
	The spark plug electrode gap is incorrect.	Clean the spark plug. Make sure that the electrode gap is correct. Make sure that the spark plug has a suppressor.
		Refer to technical data for correct electrode gap.
The spark plug is loose.	Tighten the spark plug.	

## The engine starts but stops again

Check	Possible cause	Procedure
Fuel tank	Incorrect fuel type.	Empty the fuel tank and fill it with correct fuel.
Air filter	The air filter is clogged.	Clean the air filter.



---

## Transportation, storage and disposal

---

### Transportation and storage

- Let the product cool before transportation or storage.
- Remove the spark plug cap before long-term storage.
- Attach the product during transportation. Make sure that it cannot move.
- Make sure that there is no risk of fuel leaks, fuel fumes, sparks or flames during transportation and storage.
- Clean and do servicing on the product before long-term storage.

---

## Technical data

---

### Technical data

	<b>325L</b> <b>A05328CSHV</b>
<b>Engine</b>	
Cylinder displacement, cm <sup>3</sup>	27.6
Idle speed, rpm	2800 - 3200
Recommended max. speed, rpm	8000
Power / Max. engine output, acc. to ISO 8893, kW/hp @ rpm	0.9/1.2 @ 8000
Catalytic converter muffler	Yes
Speed of output shaft, rpm	7200
<b>Ignition system</b>	
Spark plug	Husqvarna HQT-4
Electrode gap, mm	0,5
<b>Fuel system</b>	
Fuel tank capacity, l/cm <sup>3</sup>	0.343/343
<b>Product dimensions</b>	
Weight (excluding cutting equipment), kg	5.0
<b>Noise emissions<sup>1</sup></b>	
Sound power level, guaranteed (L <sub>WA</sub> ), dB(A)	114
Sound power level, measured, dB(A)	110
<b>Sound levels<sup>2</sup></b>	

<sup>1</sup> Noise emissions in the environment measured as sound power (L<sub>WA</sub>) in conformity with EC directive 2000/14/EC. Reported sound power level for the product has been measured with the original cutting attachment that gives the highest level. The difference between guaranteed and measured sound power is that the guaranteed sound power also includes dispersion in the measurement result and the variations between different products of the same model according to Directive 2000/14/EC.

<sup>2</sup> Reported data for equivalent sound pressure level for the product has a typical statistical dispersion (standard deviation) of 1 dB (A).

	<b>325L</b> <b>A05328CSHV</b>
Sound pressure level at operator's ear, equipped with trimmer head, dB(A)	93
<b>Vibration levels<sup>3</sup></b>	
Equivalent vibration level (ahv, eq) equipped with trimmer head, left handle, m/s <sup>2</sup>	4.2
Equivalent vibration level (ahv, eq) equipped with trimmer head, right handle, m/s <sup>2</sup>	6.1

---

## Accessories

---

### Accessories

Approved accessories	Type	Cutting attachment guard
Threaded shaft	M10L	
Trimmer head	T35, Ø 2.4 mm	588 54 37-01

<sup>3</sup> Reported data for equivalent vibration level has a typical statistical dispersion (standard deviation) of 1 m/s<sup>2</sup>.

---

# EC Declaration of Conformity

---

## Contents of the EC declaration of conformity

We, Husqvarna AB, SE 561 82 Huskvarna, SWEDEN, declare under our sole responsibility that the represented product:

<b>Description</b>	<b>Gasoline Grass Trimmer / Brushcutter</b>
Brand	Husqvarna
Platform / Type / Model	Platform A05328CSHV, representing model 325L.
Batch	Serial number dating 2018 and onwards.

complies fully with the following EU directives and regulations:

<b>Directive/Regulation</b>	<b>Description</b>
2006/42/EC	"relating to machinery"
2014/30/EU	"relating to electromagnetic compatibility"
2000/14/EC	"relating to outdoor noise"
2011/65/EU	"restriction of use of certain hazardous substances"

Harmonized standards and/or technical specifications applied are as follows: EN ISO 12100, EN ISO 11806-1, CISPR 12, ISO 14982, EN 50581:2012 .

In accordance with directive 2000/14/EC, Annex V, the declared sound values are stated in the technical data section of this manual and in the signed EC Declaration of Conformity.

TÜV Rheinland N.A. has carried out a voluntary examination on behalf of Husqvarna AB, providing a Certificate of conformity to EC Council directive 2006/42/EC for machinery.

The certificate, as provided on the signed EC Declaration of Conformity, is applicable to all manufacturing locations and Countries of Origin, as stated on the product.

The supplied gasoline grass trimmer / brushcutter conforms to the example that underwent examination.

---

## Содержание

---

Въведение.....	20	Отстраняване на проблеми.....	30
Безопасност.....	21	Транспортиране, съхранение и изхвърляне.....	30
Монтаж.....	25	Технически данни.....	31
Операция.....	26	Принадлежности.....	32
Поддръжка.....	28	Декларация за съответствие на ЕО.....	33

---

## Въведение

---

### Инструкция за експлоатация

Оригиналната версия на настоящата инструкция за експлоатация е на английски език. Инструкциите за експлоатация на други езици са преведени от английски.

### Предназначение

Продуктът се използва с тримерна глава за косене на трева. Не използвайте продукта за дейности, различни от подрязване и косене на трева.

### Общ преглед на продукта

(Фиг. 1)

1. Тримерна глава
2. Капачка за пълнене с грес
3. Ъглова зъбна предавка
4. Предпазител на режещо оборудване
5. Вал
6. Примкова ръкохватка
7. Регулатор за газта
8. Превключвател за спиране
9. Блокировка на регулатор за газта
10. Лула на запалителната свещ, запалителна свещ
11. Корпус на стартера
12. Дръжка на въжето на стартера
13. Резервоар за гориво
14. Капак на въздушния филтър
15. Купол на горивната помпа
16. Смукач
17. Задвижващ диск
18. Инструкция за експлоатация
19. Ключ със звездовиден профил

### Символи върху машината

- (Фиг. 2) **ПРЕДУПРЕЖДЕНИЕ!** Този продукт е опасен. Невнимателното или погрешното използване на продукта може да доведе до нараняване или смърт на оператора или наблюдатели. За да предотвратите нараняване на оператора или

**Забележка:** Националните разпоредби могат да поставят ограничения за работата с продукта.

---

- наблюдатели, прочетете и спазвайте всички инструкции за безопасност в ръководството на оператора.
- (Фиг. 3) Прочетете внимателно ръководството за оператора и се уверете, че разбирате инструкциите, преди да използвате машината.
- (Фиг. 4) Използвайте одобрени антифони. Използвайте одобрени защитни средства за очите.
- (Фиг. 5) Възможно е изхвърчане на предмети от продукта, което може да доведе до нараняване.
- (Фиг. 6) Максимални обороти на изходния вал.
- (Фиг. 7) Поддържайте минимална дистанция от 15 m/50 ft спрямо хора и животни по време на работа с продукта.
- (Фиг. 8) Използвайте само гъвкава корда за тримера
- (Фиг. 9) Не използвайте метални режещи елементи
- (Фиг. 10) Стрелките показват ограниченията на позицията на ръкохватката.
- (Фиг. 11) Купол на горивната помпа.
- (Фиг. 12) Смукач.

(Фиг. 13) Зареждане с гориво.

(Фиг. 14) Шумовите емисии към околната среда се позовават на Директивата на Европейската общност. Емисията на продукта е посочена в главата „Технически характеристики“ и на табелката.

(Фиг. 15) Продуктът е в съответствие с приложимите директиви на ЕО.

(Фиг. 16) Продуктът е в съответствие с приложимите директиви на ЕАС.

Типовата табелка показва серийния номер. **gggg** е годината на производството, **сс** е седмицата на производството и **xxxx** е последователният номер.

uuuuwwxxxx

**Забележка:** Останалите символи/лепенки на продукта се отнасят до изисквания по отношение на сертификати за други търговски зони.

## Отговорност за вреди, причинени от стоки

Както е посочено в законите за отговорност за вреди, причинени от стоки, ние не носим отговорност за щети, причинени от нашия продукт, ако:

- продуктът е неправилно ремонтиран.
- продуктът е ремонтиран с части, които не са от производителя или не са одобрени от производителя.
- продуктът има принадлежност, която не е от производителя или не е одобрена от производителя.
- продуктът не е ремонтиран в одобрен сервизен център или от одобрен орган.

## EU V



**ПРЕДУПРЕЖДЕНИЕ:** Намесата в двигателя прави невалидно ЕС одобрението на тип на този продукт.

## Безопасност

### Дефиниции за безопасност

Предупреждения, знаци за внимание и бележки се използват за указване на особено важни части на инструкцията.



**ПРЕДУПРЕЖДЕНИЕ:** Използва се, ако има опасност от нараняване или смърт за оператора или за околните, ако не се спазват инструкциите в ръководството.



**ВНИМАНИЕ:** Използва се, ако има опасност от повреждане на машината, други материали или съседната зона, ако не се спазват инструкциите в ръководството.

**Забележка:** Използва се за предоставяне на повече информация, която е необходима в дадена ситуация.

### Безопасност при вибрация

Този продукт е само за сравнително рядка работа. Продължителната или редовната работа с продукта може да доведе до „вибрационна болест“ или подобни медицински проблеми, причинени от вибрации. Ако работите продължително или често с

продукта, проверявайте състоянието на ръцете и пръстите си. Ако ръцете или пръстите ви се обезцветяват, имате болка, изтръпване или схващане, спрете работа и незабавно се консултирайте с лекар.

### Общи инструкции за безопасност



**ПРЕДУПРЕЖДЕНИЕ:** Прочетете следващите предупредителни указания, преди да използвате машината.

- Използвайте правилно продукта. Неправилната употреба може да доведе до нараняване или смърт. Използвайте продукта само за задачите, описани в настоящето ръководство. Не използвайте продукта за други задачи.
- Спазвайте инструкциите в тази инструкция за експлоатация. Спазвайте символите за безопасност и инструкциите за безопасност. Ако операторът не спазва инструкциите и символите, резултатът може да е нараняване, повреда или смърт.
- Не изхвърляйте това ръководство. Следвайте инструкциите за монтиране, използване и поддръжка на продукта в добро състояние. Следвайте инструкциите за правилния монтаж на

приспособленията и принадлежностите. Използвайте само одобрени приспособления и принадлежности.

- Не използвайте повреден продукт. Спазвайте графика за техническо обслужване. Извършвайте само дейностите по техническо обслужване, за които ще намерите инструкцията в това ръководство. Всички други дейности по техническото обслужване трябва да бъдат извършени от одобрен сервизен център.
- Това ръководство не може да включва всички ситуации, които биха могли да възникнат при използване на продукта. Бъдете внимателни и действайте разумно. Не работете с продукта и не извършвайте техническо обслужване на същия, ако не сте наясно със ситуацията. За да получите информация, говорете с експерт по продукта, Вашия дистрибутор, сервиз или с одобрен сервизен център.
- Разкачете проводника на запалителната свещ преди сглобяване, складиране или техническо обслужване на продукта.
- Не използвайте продукта, ако е променен спрямо първоначалните му спецификации. Не сменяйте някоя част на продукта без одобрение от производителя. Използвайте само одобрени от производителя части. Неправилното техническо обслужване е възможно да доведе до нараняване или смърт.
- Не вдъшвайте изпарения от двигателя. Продължителното вдъшване на отработените газове от двигателя е опасно за здравето.
- Не стартирайте продукта на закрито или близо до запалими материали. Отработените газове са горещи и биха могли да съдържат искри, които да предизвикат пожар. Недостатъчният въздушен поток може да доведе до нараняване или смърт поради задушаване или въглероден окис.
- Когато използвате този продукт, двигателят създава електромагнитно поле. Електромагнитното поле може да предизвика повреда на медицински импланти. Говорете с Вашия лекар или с производителя на медицинския имплант, преди да започнете работа с продукта.
- Не позволявайте на деца да работят с продукта. Не позволявайте на лица, които не са запознати с инструкциите, да работят с продукта.
- Уверете се, че винаги наблюдавате лица с намален физически или умствен капацитет, които използват продукта. През цялото време трябва да присъства отговорен възрастен.
- Заклучете продукта в зона, до която нямат достъп деца и неодобрени лица.
- Възможно е от продукта да изхвърчат предмети и да причинят наранявания. Спазвайте инструкциите за безопасност, за да намалите опасността от нараняване или смърт.
- Не се отдалечавайте от продукта, когато двигателят работи.

- Операторът на продукта е отговорен при възникването на инцидент.
- Уверете се, че частите не са повредени, преди да използвате продукта.
- Уверете се, че сте на разстояние от най-малко 15 m (50 ft) от други лица или животни, преди да използвате продукта. Уверете се, че хората, които се намират близо до Вас, са наясно, че ще използвате продукта.
- Направете справка с националните или местните закони. Те биха могли да предотвратят или ограничат работата на продукта при определени условия.
- Не използвайте продукта, ако сте уморен(а) или сте под въздействието на алкохол, наркотици или лекарства. Те могат да окажат въздействие върху Вашето зрение, бдителност, координация или преценка.

## Инструкции за безопасност при монтаж



**ПРЕДУПРЕЖДЕНИЕ:** Прочетете следващите предупредителни указания, преди да използвате продукта.

- Отстранете лулата на запалителната свещ от запалителната свещ, преди да сглобите продукта.
- Използвайте одобрени защитни ръкавици.
- Уверете се, че сте монтирали правилно капака и двусекционния вал, преди да стартирате двигателя.

## Инструкции за безопасност по време на работа

- Уверете се, че продуктът е напълно сглобен, преди да го използвате.
- Преди стартиране преместете продукта на 3 m (10 ft) от позицията, където сте заредили резервоара за гориво. Поставете продукта върху плоска повърхност. Уверете се, че режещото оборудване не влиза в допир с почвата или с други предмети.
- Продуктът може да предизвика изхвърляне на предмети, което може да доведе до увреждане на очите. Винаги използвайте одобрени защитни средства за очите, когато работите с продукта.
- Бъдете внимателни – близо до продукта може да се доближи дете без Вашето знание по време на работа.
- Не работете с продукта, ако има хора в работната зона. Спрете продукта, ако в работната зона влезе човек.
- Уверете се, че винаги имате контрол над продукта.
- Не използвайте продукта, ако не можете да получите помощ при възникването на инцидент.

Винаги бъдете сигурни, че другите са наясно, че ще работите с продукта, преди да започнете работа с него.

- Не включвайте продукта, преди да се уверите, че хората и животните са в безопасната зона.
- Отстранете всички нежелани материали от работната зона, преди да започнете работа. Ако режещото оборудване се удари в предмет, той може да бъде изхвърлен и да доведе до нараняване или повреда. Нежеланите материали могат да се увият около режещото оборудване и да доведат до повреда.
- Не използвайте продукта при лошо време (мъгла, дъжд, силни ветрове, опасност от светкавици или други метеорологични условия). Опасни условия (като хлъзгави повърхности) могат да възникнат поради лошо време.
- Уверете се, че можете да се движите свободно и да работите в стабилна позиция.

(Фиг. 17)

- Уверете се, че няма да паднете, когато използвате продукта. Не наклоняйте при работа с продукта.
- Винаги дръжте продукта с двете си ръце. Дръжте продукта отрядно на тялото си.

(Фиг. 18)

- Работете с продукта с режещото оборудване под нивото на кръста.
- Ако смукачът е в положение "задействан смукач", когато запалите двигателя, режещото оборудване започва да се върти.
- Не докосвайте ъгловата зъбна предавка след спиране на двигателя. Ъгловата зъбна предавка е гореща след спиране на двигателя. Горещите зони могат да причинят нараняване.
- Спрете двигателя, преди да местите продукта.
- Не оставяйте продукта на земята, когато двигателят работи.
- Преди отстраняване на нежелани материали от продукта спрете двигателя и изчакайте, докато режещото оборудване спре. Изчакайте режещото оборудване да спре, преди Вие или Ваш помощник да отстраните изрязания материал.

## Лични предпазни средства



**ПРЕДУПРЕЖДЕНИЕ:** Прочетете следващите предупредителни указания, преди да използвате машината.

- Винаги използвайте правилните лични предпазни средства, когато работите с продукта. Личните предпазни средства не елиминират опасността от нараняване. Личните предпазни средства намаляват степента на нараняване при възникването на инцидент.
- Винаги използвайте одобрени защитни средства за очите, когато работите с продукта.

- Не работете с продукта с голи крака или с отворени обувки. Винаги използвайте устойчиви на плъзгане ботуши за тежък режим на работа.
- Използвайте дълги панталони от здрав плат.
- Ако е необходимо, използвайте одобрени защитни ръкавици.
- Използвайте каска, ако е възможно, за да се предпазите от падащи на главата предмети.
- Винаги използвайте одобрени антифони, когато работите с продукта. Продължителният шум може да доведе до загуба на слуха, причинена от шум.
- Уверете се, че близо до Вас има комплект за първа помощ.

## Приспособления за безопасност на машината



**ПРЕДУПРЕЖДЕНИЕ:** Прочетете следващите предупредителни указания, преди да използвате машината.

- Не използвайте машина с неизправни приспособления за безопасност.
- Проверявайте редовно приспособленията за безопасност. Вижте *Общ преглед на продукта на страница 20*.
- Ако приспособленията за безопасност са дефектни, говорете с Вашия сервиз на Husqvarna.

## Блокировка на регулатор за газта

Блокировката на регулатора за газта заключава регулатора за газта.

(Фиг. 19)

Натиснете блокировката на регулатора за газта (А), за да освободите регулатора за газта (В). Когато освободите ръкохватката, блокировката на регулатора за газта и самият регулатор за газта се връщат към първоначалните си позиции.

1. Уверете се, че регулаторът за газта (В) е заключен на празен ход, когато освободите блокировката на регулатора за газта (А).
2. Натиснете блокировката на регулатора за газта (А) и се уверете, че се връща в първоначална позиция, когато я освободите.
3. Натиснете регулатора за газта (В) и се уверете, че се връща в първоначална позиция, когато го освободите.

Запалете двигателя и подайте пълна газ.

Освободете регулатора за газта и проверете дали режещото оборудване спира. Ако режещото оборудване се завърти, докато газта е в позиция на празен ход, проверете регулиращия винт на скоростта на празен ход на карбуратора.

## Превключвател за спиране

Стартирайте двигателя. Уверете се, че двигателят спираща, когато преместите превключвателя за спиране в стоп позиция.

(Фиг. 20)

## Предпазител на режещо оборудване

Предпазителят на режещото оборудване предотвратява изхвърляне на свободни предмети по посока на оператора.

(Фиг. 21)

Проверете предпазителя на режещото оборудване за повреда и го сменете, ако е повреден. Използвайте само одобрен предпазител за режещото оборудване.

## Ауспух

- Не използвайте двигател с повреден ауспух. Повреденият ауспух повишава нивото на шума и риска от злополука. Съхранявайте наблизо пожарогасител.
- Редовно проверявайте дали ауспухът е закрепен към продукта.
- Не докосвайте двигателя или ауспуха, когато двигателят е включен. Не докосвайте двигателя или ауспуха известно време след спиране на двигателя. Горещите повърхности могат да причинят нараняване.
- Горещият ауспух може да причини пожар. Бъдете внимателни, ако използвате продукта близо до запалителни течности или изпарения.
- Не докосвайте частите в ауспуха, ако е повреден. Частите могат да съдържат канцерогенни химикали.

## Режещо оборудване



**ПРЕДУПРЕЖДЕНИЕ:** Прочетете следващите предупредителни указания, преди да използвате продукта.

- Извършвайте редовното техническо обслужване. Позволете на одобрен сервизен център да извършва редовна проверка на режещото оборудване за корекции или ремонтни дейности.
  - Производителността на режещото оборудване се повишава.
  - Срокът на експлоатация на режещото оборудване се повишава.
  - Рискът от злополука намалява.
- Използвайте само одобрен предпазител на режещо оборудване. За повече информация вижте *Принадлежности на страница 32*.
- Не използвайте повредено режещо оборудване.
- Извършвайте редовното техническо обслужване. Позволете на одобрен сервизен център да извършва редовна проверка на режещото оборудване за корекции или ремонтни дейности.
- Производителността на режещото оборудване се повишава.
- Срокът на експлоатация на режещото оборудване се повишава.
- Рискът от злополука намалява.
- Използвайте само одобрен предпазител на режещо оборудване. За повече информация вижте *Принадлежности на страница 32*.
- Не използвайте повредено режещо оборудване.

## Безопасност при работа с гориво



**ПРЕДУПРЕЖДЕНИЕ:** Прочетете следващите предупредителни указания, преди да използвате машината.

- Не смесвайте горивото на закрито или близо до източник на топлина.
- Не включвайте продукта, ако върху него има гориво или моторно масло. Отстранете нежеланото гориво/масло и оставете продукта да изсъхне. Отстранете нежеланото гориво от продукта.
- Ако разлеее гориво по дрехите си, сменете ги незабавно.
- Внимавайте да не попадне гориво върху тялото Ви, това може да доведе до телесни увреждания. Ако гориво попадне върху тялото Ви, използвайте сапун и вода, за да го отстраните.
- Не стартирайте двигателя, ако разлеее масло или гориво върху продукта или тялото си.
- Не стартирайте продукта, ако от двигателя има теч. Проверявайте редовно двигателя за течове.
- Внимавайте с горивото. Горивото е запалимо, изпаренията са взривоопасни и могат да причинят телесни увреждания или смърт.
- Не вдъшвайте горивните изпарения, това може да доведе до телесни увреждания. Уверете се, че има достатъчен въздушен поток.
- Не пушете близо до горивото или двигателя.
- Не поставяйте топли предмети близо до горивото или двигателя.
- Не добавяйте гориво, когато двигателят работи.
- Уверете се, че двигателят е изстинал преди зареждане с гориво.
- Преди зареждане с гориво отворете бавно капачката на резервоара за гориво и освободете внимателно налягането.
- Не добавяйте гориво към двигателя на закрито. Недостатъчният въздушен поток може да доведе до нараняване или смърт поради задушаване или въглероден окис.
- Затегнете внимателно капачката на резервоара за гориво или може да възникне пожар.
- Преди да включите двигателя, преместете продукта на най-малко 3 m (10 ft) от мястото, където сте заредили резервоара.
- Не препълвайте резервоара за гориво.
- Уверете се, че няма течове, когато местите продукта или резервоара за гориво.
- Не поставяйте продукта или резервоара за гориво на място, където има открит огън, искри или постоянна малка горелка. Уверете се, че в зоната за съхранение няма открит огън.
- При преместване или съхранение на гориво използвайте само одобрени за целта контейнери.



- Изпразнете резервоара за гориво преди дългосрочно съхранение. Спазвайте местните закони за това къде да изхвърляте горивото.
- Почистете продукта преди дългосрочно съхранение.
- Отстранете проводника на запалителната свещ, преди да оставите продукта за съхранение, за да се уверите, че двигателят няма случайно да се включи.

## Инструкции за безопасност при техническо обслужване



**ПРЕДУПРЕЖДЕНИЕ:** Прочетете следващите предупредителни указания, преди да извършвате техническо обслужване на продукта.

- Извършвайте само посоченото в тази инструкция за експлоатация техническо и сервизно

обслужване. Възложете на професионален сервизен персонал извършването на другите сервизни работи и ремонтите.

- Редовно извършвайте описаните в това ръководство за експлоатация проверки за безопасност, техническо и сервизно обслужване. Редовното техническо обслужване увеличава срока на експлоатация на продукта и намалява риска от злополуки. Инструкции можете да видите в *График за техническо обслужване на страница 28*.
- Ако проверките за безопасност в тази инструкция за експлоатация не дадат удовлетворителен резултат, след като извършите техническо обслужване, говорете с дистрибутора по сервизното обслужване. Ние гарантираме, че за Вашия продукт има налични професионални поправки и ремонти.

## Монтаж

### Въведение



**ПРЕДУПРЕЖДЕНИЕ:** Преди сглобяване на продукта трябва да прочетете и разберете главата за безопасност.



**ПРЕДУПРЕЖДЕНИЕ:** Отстранете кабела на запалителната свещ от запалителната свещ, преди да сглобите продукта.

### За монтаж на примковата ръкохватка

1. Поставете примковата ръкохватка между стрелките на двусекционния вал.
2. Затегнете болта, за да закрепите примковата ръкохватка към двусекционния вал. (Фиг. 22)

### За сглобяване на режещото оборудване

#### Монтаж на предпазителя на режещото оборудване

1. Поставете предпазителя на режещото оборудване (А) върху двусекционния вал. (Фиг. 23)

2. Поставете скобата (В) в гнездото върху предпазителя на режещото оборудване.
3. Поставете болта (С) през отвора на скобата и в предпазителя на режещото оборудване.

#### Монтиране на тримерната глава

1. Уверете се, че предпазителят на режещото оборудване (А) е монтиран към продукта. Направете справка с *Монтаж на предпазителя на режещото оборудване на страница 25*. (Фиг. 24)
2. Уверете се, че задвижващият диск (С) е монтиран към изходния вал (D).
3. Поставете ключа със звездовиден профил (В) в отвора, за да заключи двусекционния вал.
4. Поставете тримерната глава (Е) върху изходния вал.
5. Завъртете тримерната глава обратно на часовниковата стрелка, за да я затегнете към изходния вал. (Фиг. 25)
6. Извадете ключа със звездовиден профил.

# Операция

## Въведение



**ПРЕДУПРЕЖДЕНИЕ:** Преди работа с продукта трябва да прочетете и разберете главата за безопасност.

сервизното обслужване за избор на точното масло.



**ВНИМАНИЕ:** Не използвайте масло за извънбордови двутактови двигатели с водно охлаждане, понякога наричано извънбордово масло. Не използвайте масло за четиритактови двигатели.

## Гориво

Този продукт разполага с двутактов двигател.



**ВНИМАНИЕ:** Неподходящият тип гориво може да доведе до повреда на двигателя. Използвайте смес от бензин и масло за двутактови двигатели.

## Смесване на бензин и масло за двутактов двигател

Бензин, литри	Масло за двутактов двигател, литри
	<b>2% (50:1)</b>
5	0,10
10	0,20
15	0,30
20	0,40

## Предварително смесено гориво

- За постигане на оптимални работни характеристики и за удължаване на срока на експлоатация използвайте висококачественото алкилатно гориво на Husqvarna. Това гориво съдържа по-малко вредни химикали в сравнение с обикновеното гориво и това намалява вредните отработени газове. С това гориво количеството остатъци след изгарянето е по-ниско, което запазва компонентите на двигателя по-чисти.

## За изготвяне на горивна смес

### Бензин



**ВНИМАНИЕ:** Не използвайте бензин с октаново число по-малко от 90 RON (87 AKI). Това може да повреди продукта.



**ВНИМАНИЕ:** Малки грешки могат да повлияят драстично на съотношението в сместа, когато смесвате малки количества гориво. Измервайте внимателно количеството масло, за да сте сигурни, че ще получите правилната смес.



**ВНИМАНИЕ:** Не използвайте бензин с повече от 10% концентрация на етанол (E10). Това може да повреди продукта.

(Фиг. 26)

- Винаги използвайте пресен безоловен бензин с минимално октаново число от 90 RON (87 AKI) и с по-малко от 10% концентрация на етанол (E10).
- Използвайте бензин с по-високо октаново число, ако често използвате продукта при постоянно високи обороти на двигателя.

1. Налейте половината гориво в чист съд за гориво.
2. Добавете цялото количество масло.
3. Разклатете горивната смес.
4. Долейте останалото количество бензин в съда.
5. Разклатете внимателно горивната смес.

## Масло за двутактов двигател

- За постигане на най-добри резултати и работни характеристики използвайте масло за двутактови двигатели на Husqvarna.
- Ако не разполагате с масло за двутактови двигатели на Husqvarna, използвайте друго висококачествено масло за двутактови двигатели, разработено за двигатели с въздушно охлаждане. Говорете с дистрибутора по



**ВНИМАНИЕ:** Не смесвайте количество гориво, което ще престои повече от 1 месец.

## За да добавите гориво

- Винаги използвайте резервоар за гориво с клапан против разливане.
- Ако върху резервоара има гориво, отстранете нежеланото гориво и оставете резервоара да изсъхне.
- Уверете се, че зоната близо до капачката на резервоара за гориво е чиста.

- Разклатете резервоара за гориво, преди да добавите горивната смес към резервоара за гориво.

## За да извършите разработване

- През първите 10 часа работа не подавайте за продължително време максимална газ без натоварване.

## За стартиране и спиране

### Проверка преди старта

1. Уверете се, че продуктът няма липсващи, повредени, разхлабени или износени части.
2. Уверете се, че всички гайки, винтове и болтове са затегнати.
3. Уверете се, че тримерната глава не е повредена.
4. Уверете се, че въздушният филтър не е задръстен.
5. Уверете се, че приспособленията за безопасност на продукта не са дефектни.
6. Уверете се, че продуктът няма течове на гориво.

### Стартиране при студен двигател

1. Натиснете купола на горивната помпа 10 пъти. (Фиг. 27)
2. Издърпайте смукача нагоре. (Фиг. 28)
3. Задръжте корпуса на продукта на земята с лявата си ръка. (Фиг. 29) Не стъпвайте върху продукта. Издърпайте бавно дръжката на въжето на стартера, докато усетите известно съпротивление. След това издърпайте въжето за стартиране със сила.

**Забележка:** Не дърпайте регулатора за газта, докато стартирате двигателя.

4. Продължете да дърпате дръжката на въжето за стартиране, докато двигателя стартира или направи опит за стартиране (макс. 3 издърпвания). При включване или опит на двигателя да се включи, натиснете смукача надолу. Продължете да дърпате, докато двигателят запали. Изчакайте 60 секунди след стартиране, преди да издърпате регулатора за газта.



**ВНИМАНИЕ:** Не дърпайте въжето за стартиране, докато не спре. Не пускайте въжето за стартиране, когато е разтегнато докрай. Освободете бавно въжето на стартера. Неспазването на тези инструкции може да причини повреда на двигателя.

### За стартиране на топъл двигател

1. Натиснете купола на горивната помпа 10 пъти.

2. Издърпайте въжето за стартиране, докато двигателят запали.

### Включване на двигателя при прекомерно загрято гориво

Когато продуктът не се включва, е възможно горивото да е твърде загрято.

**Забележка:** Винаги използвайте неупотребявано гориво, а при топло време намалете продължителността на работа.

1. Поставете продукта на хладно място, далеч от пряка слънчева светлина.
2. Оставете продукта за поне 20 минути, за да се охлади.
3. Натиснете купола на горивната помпа няколко пъти в продължение на 10 – 15 секунди.
4. Следвайте процедурата за стартиране при студен двигател. Направете справка с *Стартиране при студен двигател на страница 27*.

### Спиране на работа

- Натиснете превключвателя за спиране, за да спрете двигателя. (Фиг. 30)

**Забележка:** Превключвателят за спиране автоматично се връща в първоначалното положение.

### За работа с тримера за трева



**ВНИМАНИЕ:** Не забравяйте да понижите оборотите на двигателя до обороти на празния ход след всяка експлоатация. Продължителната работа при пълна газ без натоварване на двигателя може да доведе до повреда на двигателя.

**Забележка:** Почистете капака на тримерната глава, когато монтирате нова корда на тример, за да предотвратите вибрации. Проверете другите части на тримерната глава и ги почистете, ако е необходимо.

### Кастрене на трева

1. Дръжте тримерната глава непосредствено над земята под ъгъл. Не натискайте кордата на тримера в тревата. (Фиг. 31)
2. Намалете дължината на кордата на тримера с 10 – 12 cm/4 – 4,75 in.
3. Намалете оборотите на двигателя, за да понижите опасността от увреждане на растенията.
4. Използвайте 80% газ, когато режете трева близо до обекти. (Фиг. 32)

## Рязане на трева

1. Уверете се, че кордата на тримера за трева е успоредна на земята, когато режете. (Фиг. 33)
2. Не натискайте тримерната глава към земята. Можете да повредите земята и продукта.
3. Не позволявайте на тримерната глава непрекъснато да докосва земята, това може да доведе до повреда на тримерната глава.
4. Използвайте пълна газ, когато местите продукта настрани за рязане на трева. Уверете се, че кордата на тримера за трева е успоредна на земята. (Фиг. 34)

## Тримерна глава за трева

- Не забравяйте да навиете кордата на тримера за трева здраво и равномерно около барабана, за да намалите вибрациите.
- Използвайте само одобрени тримерни глави за трева и корди на тример за трева. Вижте *Принадлежности на страница 32*.

- Използвайте корда на тример за трева с правилна дължина. Дългата корда на тример за трева използва повече мощност на двигателя в сравнение с късата корда на тример за глава.
- Уверете се, че резецът на предпазителя на режещото оборудване не е повреден.
- Потопете кордата на тримера за трева във вода в продължение на 2 дни, преди да закрепите кордата на тримера за трева към продукта. Това повишава срока на експлоатация на кордата на тримера за трева.

## За смяна на кордата на тримера

(Фиг. 35)

(Фиг. 36)

(Фиг. 37)

(Фиг. 38)

(Фиг. 39)

(Фиг. 40)

(Фиг. 41)

(Фиг. 42)

---

# Поддръжка

---

## Въведение



**ПРЕДУПРЕЖДЕНИЕ:** Преди да извършите техническо обслужване, трябва да прочетете и разберете раздела за безопасност.

За всички работи по поддръжката и поправката на продукта е необходимо специално обучение. Осигуряваме предлагане на професионални ремонти и обслужване. Ако Вашият дилър не предлага сервизно обслужване, говорете с него, за да Ви даде информация за най-близкия сервиз.

## График за техническо обслужване

### Седмично техническо обслужване

- Почистете външните повърхности.
- Уверете се, че режещото оборудване не се движи при обороти на празен ход. Направете справка с *Регулиране на оборотите на празния ход на страница 28*.
- Проверете нивото на греста в ъгловата зъбна предавка. Направете справка с *За да добавите грес към ъгловата зъбна предавка на страница 29*.

### Месечно техническо обслужване

- Уверете се, че дръжката на стартерното въже и стартерното въже не са повредени.

### Ежегодно обслужване

- Проверете запалителната свещ. Направете справка с *За проверка на запалителната свещ на страница 29*

- Почистете външните повърхности на карбуратора и зоните около него.
- Почистете системата за охлаждане.
- Проверете искрогасителната мрежа. Направете справка с *За да направите техническо обслужване на искрогасителния екран на страница 29*.
- Проверете горивния филтър.
- Уверете се, че маркучът за горивото не е повреден.
- Уверете се, че проводниците и връзките на продукта не са повредени.

## Регулиране на оборотите на празния ход

- Уверете се, че въздушният филтър е чист и капакът на въздушния филтър е закрепен, преди да регулирате оборотите на празния ход.
  - Регулирайте оборотите на празния ход с регулиращия винт, означен със знака "Т".
  - Оборотите на празния ход са правилни, когато двигателят работи плавно във всяко положение. Оборотите на празния ход трябва да бъдат под оборотите, при които режещото оборудване започва да се върти.
1. Завъртете регулиращия винт на оборотите по часовниковата стрелка, докато режещото оборудване започне да се върти. (Фиг. 43)
  2. Завъртете регулиращия винт на оборотите обратно на часовниковата стрелка, докато режещото оборудване спре.

## За да направите техническо обслужване на искрогасителния екран

Използвайте телена четка за почистване на искрогасителния екран. (Фиг. 44)

## За почистване на системата за охлаждане

Почистете частите на системата за охлаждане с четка.

(Фиг. 45)

## За проверка на запалителната свещ



**ВНИМАНИЕ:** Използвайте препоръчаната запалителна свещ. Уверете се, че резервната част е същата като предоставената от производителя част. Използването на запалителна свещ от неправилен тип може да повреди продукта.

1. Проверете запалителната свещ, когато:
  - a) мощността на двигателя е ниска.
  - b) двигателят не може да запали лесно.
  - c) двигателят не работи правилно при обороти на празния ход.
2. Ако не можете лесно да запалите или да работите с двигателя, проверете запалителната свещ за нежелани материали. За да намалите опасността от нежелани материали върху електродите на запалителната свещ:
  - a) уверете се, че оборотите на празния ход са правилно регулирани.
  - b) уверете се, че горивната смес е правилна.
  - c) уверете се, че въздушният филтър е чист.
3. Почистете запалителната свещ, ако е замърсена. Проверете, че разстоянието между електродите е правилно. (Фиг. 46)
4. Подменете запалителната свещ, когато е необходимо.

## За да извършвате техническо обслужване на въздушния филтър

## Почистване на въздушния филтър

1. Свалете капака на въздушния филтър и самия въздушен филтър. (Фиг. 47)
2. Почистете въздушния филтър с топла сапунена вода. Уверете се, че въздушният филтър е сух, преди да го монтирате.
3. Сменете въздушния филтър, ако е прекалено замърсен за пълно почистване. Винаги заменяйте повреден въздушен филтър.
4. Ако продуктът Ви разполага с пенест въздушен филтър, нанесете масло за въздушен филтър. Нанасяйте масло за въздушен филтър само върху пенест филтър. Не нанасяйте масло върху филтър Felt.

## За нанасяне на масло за въздушен филтър върху въздушния филтър



**ВНИМАНИЕ:** Винаги използвайте специално масло за въздушен филтър върху пенестите въздушни филтри. Не използвайте други типове масла.



**ПРЕДУПРЕЖДЕНИЕ:** Не нанасяйте масло върху тялото си.

1. Свалете капака на въздушния филтър и самия въздушен филтър. (Фиг. 48)
2. Поставете въздушния филтър в найлонова торбичка.
3. Поставете маслото на въздушния филтър в найлоновата торбичка. (Фиг. 49)
4. Натиснете найлоновата торбичка, за да се уверите, че маслото е нанесено равномерно върху въздушния филтър.
5. Натиснете въздушния филтър, докато е в торбичката, за да отстраните маслото за въздушния филтър, което не е необходимо. Отстранете въздушния филтър от торбичката.
6. Монтирайте въздушния филтър.

## За да добавите грес към ъгловата зъбна предавка

Уверете се, че ъгловата зъбна предавка е напълнена с 3/4 грес за ъглова зъбна предавка. (Фиг. 50)

## Отстраняване на проблеми

### Двигателят не се стартира

Проверете	Възможна причина	Процедура
Превключвател за спиране.	Ключът за спиране е в положение за спиране.	Поставете превключвателя за спиране в стартово положение.
Зъбци на стартера.	Зъбците на стартера не могат да се движат свободно.	Отстранете капака на стартера и почистете около зъбците на стартера.
		Поискайте помощ от оторизиран сервиз.
Резервоар за гориво.	Неправилен тип гориво.	Източете резервоара за гориво и напълнете с правилното гориво.
Запалителна свещ.	Запалителната свещ е замърсена или влажна.	Уверете се, че запалителната свещ е суха и чиста.
	Разстоянието между електродите на запалителната свещ е неправилно.	Почистете запалителната свещ. Уверете се, че разстоянието между електродите е правилно. Уверете се, че към запалителната свещ има монтиран супресор.
	Запалителната свещ е разхлабена.	Направете справка с техническите характеристики за правилно разстояние между електродите.
	Запалителната свещ е разхлабена.	Затегнете запалителната свещ.

### Двигателят стартира, но спира отново

Проверете	Възможна причина	Процедура
Резервоар за гориво	Неправилен тип гориво.	Изпразнете резервоара за гориво и напълнете с правилното гориво.
Въздушен филтър	Въздушният филтър е задръстен.	Почистете въздушния филтър.

## Транспортиране, съхранение и изхвърляне

### Транспорт и съхранение

- Оставете продукта да се охлади преди транспортиране или съхранение.
- Отстранете капачката на запалителната свещ преди дълго съхранение.
- Закрепете продукта преди транспортиране. Уверете се, че не може да се движи.

- Уверете се, че няма опасност от изтичане на гориво, горивни изпарения, искри или пламъци по време на транспортиране и съхранение.
- Почистете и извършете обслужване на продукта преди съхранение за дълъг период.

## Технически данни

### Технически характеристики

	<b>325L</b> <b>A05328CSHV</b>
<b>Двигател</b>	
Обем на цилиндъра, cm <sup>3</sup>	27,6
Обороти на празния ход, об/мин	2800 – 3200
Препоръчвани макс. обороти, об/мин	8000
Мощност/макс. мощност на двигателя съгласно ISO 8893, kW/hp при об/мин	0,9/1,2 при 8000
Заглушител на катализатора	Да
Скорост на изходния вал, об/мин	7200
<b>Запалителна система</b>	
Запалителна свещ	Husqvarna HQT-4
Разстояние между електродите, мм	0,5
<b>Горивна система</b>	
Вместимост на резервоара за гориво, l/cm <sup>3</sup>	0,343/343
<b>Размери на продукта</b>	
Тегло (без режещо оборудване), kg	5,0
<b>Шумови емисии<sup>4</sup></b>	
Ниво на звуковата мощност, гарантирано (L <sub>WA</sub> ), dB(A)	114
Ниво на звуковата мощност, измерено, dB(A)	110
<b>Нива на шума<sup>5</sup></b>	
Ниво на звуково налягане при ухото на оператора, оборудване с тримерна глава, dB(A)	93
<b>Нива на вибрациите<sup>6</sup></b>	
Еквивалентно ниво на вибрациите (ahv, eq), оборудване с тримерна глава, лява дръжка, m/s <sup>2</sup>	4,2

<sup>4</sup> Шумови емисии в околната среда, измерени като звукова мощност (L<sub>WA</sub>) в съответствие с директива на ЕО 2000/14/ЕО. Отчетеното ниво на шум за продукта е измерено с оригиналното режещо оборудване, което създава най-високото ниво. Разликата между гарантираното и измереното ниво на шума е в това, че гарантираното ниво на шума включва също и дисперсията в резултата от измерването, както и вариациите между различните продукти от един и същи модел, в съответствие с Директива 2000/14/ЕО.

<sup>5</sup> Отчетените данни за еквивалентното ниво на звуковото налягане за продукта имат типична статистическа дисперсия (стандартно отклонение) от 1 dB (A).

<sup>6</sup> Отчетените данни за еквивалентното ниво на вибрациите имат типична статистическа дисперсия (стандартно отклонение) от 1 m/s<sup>2</sup>.

	<b>325L</b> <b>A05328CSHV</b>
Еквивалентно ниво на вибрациите (ahv, eq), с оборудване с тримерна глава, дясна дръжка, m/s <sup>2</sup>	6,1

---

## Принадлежности

---

### Принадлежности

Одобрени приспособления	Тип	Предпазител на режещо оборудване
Двусекционен вал с резба	M10L	
Тримерна глава	T35, Ø 2,4 mm	588 54 37-01



## Декларация за съответствие на ЕО

### Съдържание на ЕО декларацията за съответствие

Ние, Husqvarna AB, SE 561 82 Huskvarna, ШВЕЦИЯ, декларираме на своя собствена отговорност, че представеният продукт:

Доставените бензинов тример за трева/храсторез съответстват на образеца, подложен на контрол.

<b>Описание</b>	<b>Бензинов тример за трева/храсторез</b>
Марка	Husqvarna
Платформа/вид/модел	Платформа A05328CSHV, представляваща модел 325L.
Партида	Сериен номер, датиращ от 2018 г. нататък.

отговаря напълно на следните директиви и регламенти на ЕС:

Директива/регламент	Описание
2006/42/ЕО	"относно машините"
2014/30/ЕС	"относно електромагнитната съвместимост"
2000/14/ЕО	"относно шума на открито"
2011/65/ЕС	"ограничения за използване на определени опасни вещества"

Приложените хармонизирани стандарти и/или технически спецификации са следните: EN ISO 12100, EN ISO 11806-1, CISPR 12, ISO 14982, EN 50581:2012.

В съответствие с Директива 2000/14/ЕО, приложение V, декларираните звукови стойности са посочени в раздела за технически характеристики на тази инструкция за експлоатация и в подписаната Декларация за съответствие на ЕО.

TÜV Rheinland N.A. извърши доброволен контрол от името на Husqvarna AB и изготви Сертификат за съответствие с Директива 2006/42/ЕО на Съвета относно машините.

Сертификатът, както е предвиден в подписаната Декларация за съответствие на ЕО, се прилага за всички места на производство и държави на произход, както е посочено на продукта.

---

## Sadržaj

---

Uvod.....	34	Rješavanje problema.....	42
Sigurnost.....	35	Transport, skladištenje i odbacivanje.....	43
Sastavljanje.....	38	Tehnički podaci.....	43
Rukovanje.....	39	Pribor.....	44
Održavanje.....	41	Izjava EK o usklađenosti.....	45

---

## Uvod

---

### Priručnik za rad

Inicijalni jezik priručnika za rad je engleski. Priručnici za rad na drugim jezicima su prijevodi s engleskog.

### Namjena

Proizvod se koristi s glavom trimera za košenje trave. Nemojte koristiti proizvod za druge stvari osim za šišanje ili uklanjanje trave.

### Pregled proizvoda

(Sl. 1)

1. Glava za podrezivanje
2. Kapa dijela za sipanje maziva
3. Konusni pogon
4. Zaštitnik reznog dodatka
5. Vrat
6. Okrugla ručka
7. Poluga gasa
8. Prekidač za zaustavljanje
9. Blokada poluge gasa
10. Kapica svječiće, svječića
11. Kućište startera
12. Ručka konopa za paljenje
13. Rezervoar za gorivo
14. Poklopac filtera za zrak
15. Sijalica pumpice za istiskivanje zraka
16. Ručica za čok
17. Pogonska ploča
18. Priručnik za rad
19. Zvezdasti ključ

### Simboli na proizvodu

- (Sl. 2) **UPOZORENJE!** Ovaj proizvod je opasan. Ukoliko se proizvod ne koristi pažljivo i na pravilan način, može doći do povrede ili smrti rukovaoca ili osobe koja stoji u blizini. Da biste spriječili povrede rukovaoca ili osoba koje stoje u blizini, pročitajte i poštujujte sva uputstva o sigurnosti koja su data u priručniku za rad.

**Napomena:** Državni propisi mogu postaviti ograničenja za rukovanje proizvodom.

---

- (Sl. 3) Prije upotrebe pažljivo pročitajte priručnik za rad rukovaoca i vodite računa da vam upute budu jasne.
- (Sl. 4) Koristite odobrenu zaštitu za uši. Koristite odobrenu zaštitu za oči.
- (Sl. 5) Proizvod može uzrokovati izbacivanje predmeta, što može izazvati povrede.
- (Sl. 6) Maksimalna brzina izlaznog vratila.
- (Sl. 7) Za vrijeme rukovanja proizvodom budite udaljeni od osoba i životinja najmanje 15 m / 50 stopa.
- (Sl. 8) Koristite samo fleksibilni flaks za trimer
- (Sl. 9) Nemojte koristiti oštećena noževе za rezanje
- (Sl. 10) Strelice pokazuju ograničenja za položaj ručke.
- (Sl. 11) Kuglica pumpice za istiskivanje zraka.
- (Sl. 12) Čok.
- (Sl. 13) Ponovno punjenje goriva.
- (Sl. 14) Emisija buke u okoliš je u skladu s Direktivom Evropske zajednice. Emisija proizvoda je navedena u poglavlju Tehnički podaci i na naljepnici.
- (Sl. 15) Proizvod je usklađen s važećim direktivama EZ.

(Sl. 16) Proizvod je u skladu s važećim EAC direktivama.

Na pločici s oznakom kategorije je prikazan serijski broj. **yyyy** je godina proizvodnje, **ww** je sedmica proizvodnje, a **xxxx** je redni broj.

yyyywwxxxx

**Napomena:** Drugi simboli/naljepnice na proizvodu odnose se na zahtjeve certifikacije za druga komercijalna područja.

## Odgovornost za proizvod

Kao što je navedeno u zakonima o odgovornosti za proizvod, mi nismo odgovorni za oštećenja koja uzrokuje naš proizvod ako:

- je proizvod pogrešno popravljen.
- je proizvod popravljen koristeći dijelove koji nisu od proizvođača ili koji nisu odobreni od strane proizvođača.
- proizvod ima dodatnu opremu koju nije napravio proizvođač ili koju proizvođač ne odobrava.
- proizvod nije popravljen u nekom od odobrenih servisa ili od strane odobrenog tijela.

## EU V



**UPOZORENJE:** Neovlaštenim otvaranjem proizvoda poništava se EU odobrenje tipa ovog proizvoda.

## Sigurnost

### Definicije sigurnosti

Upozorenja, pozivi na oprez i napomene se koriste za isticanje naročito važnih dijelova priručnika.



**UPOZORENJE:** Koriste se ukoliko postoji opasnost od povrede ili smrti rukovaoca ili osoba u blizini ako se uputstva iz priručnika ne poštuju.



**OPREZ:** Koriste se ukoliko postoji opasnost od oštećenja proizvoda, drugih materijala ili neposrednog okruženja ako se uputstva iz priručnika ne poštuju.

**Napomena:** Koriste se za pružanje više informacija koje su neophodne u datoj situaciji.

### Sigurnost od vibracija

Proizvod je samo za povremeni rad. Neprekidnim i redovnim korištenjem ovog proizvoda mogu nastati "bijeli prsti" ili slični zdravstveni problemi uzrokovani vibracijama. Ukoliko neprekidno ili redovno koristite ovaj proizvod pregledajte stanje šaka i prstiju. Ukoliko na šakama ili prstima primjetite bljedilo, osjetite bolove, trnce ili trnjenje, prestanite raditi i odmah se obratite ljekaru.

### Opće sigurnosne upute



**UPOZORENJE:** Prije upotrebe proizvoda pročitajte upozorenja u nastavku.

- Koristite proizvod na pravilan način. Povreda ili smrt je moguć ishod nepravilnog korištenja. Proizvod koristite samo za poslove koji su navedeni u ovom priručniku. Nemojte koristiti proizvod za druge poslove.
- Poštujte uputstva iz ovog priručnika. Poštujte sigurnosne simbole i sigurnosna uputstva. Ako operater ne poštuje uputstva i simbole, povreda, oštećenje ili smrt su mogući ishodi.
- Nemojte bacati ovaj priručnik. Koristite uputstva da sastavite, rukujete i održavate svoj proizvod u dobrom stanju. Koristite uputstva da biste pravilno ugradili priključke i dodatke. Koristite samo odobrene priključke i dodatke.
- Nemojte koristiti oštećen proizvod. Poštujte raspored održavanja. Obavljajte samo one radove na održavanju za koje pronađete uputstva u ovom priručniku. Sve druge radove na održavanju mora obavljati ovlašteni servisni centar.
- Ovaj priručnik ne može uključivati sve situacije koje se mogu desiti kada koristite proizvod. Budite oprezni i koristite svoj zdrav razum. Nemojte rukovati proizvodom ili obavljati radove na održavanju proizvoda ako niste upoznati sa stanjem. Za informacije se obratite stručnjaku za proizvod, svom trgovcu, servisnom zastupniku ili ovlaštenom servisnom centru.
- Isključite kabl svjećice prije nego što sastavite proizvod, odložite proizvod na skladište ili prije radova na održavanju.
- Nemojte koristiti proizvod ako je promijenjen od svoje inicijalne specifikacije. Nemojte mijenjati dio proizvoda bez odobrenja od proizvođača. Koristite samo dijelove koje je odobrio proizvođač. Povreda ili smrt je moguć ishod nepravilnog održavanja.

- Nemojte udisati pare iz motora. Dugotrajno udisanje ispušnih para motora opasno je po zdravlje.
- Nemojte pokretati proizvod u zatvorenom prostoru ili u blizini zapaljivih materijala. Izduvne pare su vruće i mogu sadržavati iskre koje mogu izazvati požar. Nedovoljan protok zraka može izazvati povredu ili smrt zbog nedostatka kisika ili ugljičnog monoksida.
- Kada koristite ovaj proizvod, motor stvara elektromagnetno polje. Elektromagnetno polje može izazvati oštećenje na medicinskim implantatima. Porazgovarajte s ljekarom i proizvođačem medicinskog implantata prije rada s proizvodom.
- Nemojte dopustiti da dijete rukuje proizvodom. Nemojte dopustiti osobi bez znanja o uputstvima da rukuje proizvodom.
- Uvjerite se da uvijek nadgledate osobu, sa smanjenim fizičkim kapacitetom ili mentalnim sposobnostima, koja koristi proizvod. Odgovorna osoba mora biti prisutna cijelo vrijeme.
- Zaključajte proizvod u području koje nije pristupačno djeci i neovlaštenim osobama.
- Proizvod može izbaciti predmete i izazvati povrede. Poštujte sigurnosna uputstva da biste smanjili opasnost od povrede ili smrti.
- Nemojte napuštati proizvod dok je motor uključen.
- Rukovalac proizvodom je odgovoran ako dođe do nezgode.
- Prije korištenja proizvoda, uvjerite se da dijelovi nisu oštećeni.
- Vodite računa da ste udaljeni najmanje 15 m (50 stopa) od drugih osoba ili životinja prije korištenja proizvoda. Vodite računa da osobe koja su u blizini budu upoznate da ćete koristiti proizvod.
- Pogledajte državne ili lokalne zakone. Oni mogu spriječiti ili smanjiti rad proizvoda u nekim uslovima.
- Nemojte koristiti proizvod kada ste umorni ili pod dejstvom alkohola, droga ili lijekova. Oni mogu uticati na vaš vid, opreznost, koordinaciju i rasuđivanje.
- Proizvod može uzrokovati izbacivanje predmeta, što može izazvati povrede očiju. Uvijek koristite odobrenu zaštitu za oči kada rukujete proizvodom.
- Budite oprezni, dijete može doći u blizinu proizvoda bez vašeg znanja tokom rada.
- Nemojte rukovati proizvodom ako se u radnom području nalaze osobe. Zaustavite proizvod ako osoba uđe u radno područje.
- Uvjerite se da uvijek imate kontrolu nad proizvodom.
- Nemojte koristiti proizvod ako ne možete primiti pomoć u slučaju da se dogodi nezgoda. Uvijek osigurajte da drugi znaju da ćete rukovati proizvodom prije nego što počete raditi s proizvodom.
- Nemojte se okretati s proizvodom prije nego što se uvjerite da nema osoba ili životinja u sigurnosnom području.
- Uklonite sve neželjene materijale iz radnog područja prije nego počnete s radom. Ako rezni dodatak udari u neki predmet, taj predmet se može izbaciti iz proizvoda i izazvati povredu ili oštećenje. Neželjeni materijal se može okretati oko reznog dodatka i izazvati oštećenje.
- Nemojte koristiti proizvod pod lošim vremenskim uslovima (magla, kiša, jak vjetar, opasnosti od groma ili drugi vremenski uslovi) Opasni uslovi (kao što je klizava površina) se mogu pojaviti uslijed lošeg vremena.
- Provjerite možete li se slobodno kretati u stabilnom položaju.

(Sl. 17)

- Uvjerite se da ne možete pasti kada koristiti proizvod. Nemojte se naginjati kada rukujete proizvodom.
- Uvijek držite proizvod s dvije ruke. Proizvod držite s desne strane svog tijela.

(Sl. 18)

- Rukujte proizvodom s reznim dodatkom ispod vašeg struka.
- Ako je ručica za čok u položaju za gušenje kada se motor pokrene, rezni dodatak se počinje okretati.
- Nemojte dodirivati konusni pogon kada se motor zaustavi. Konusni pogon je vruć nakon što se motor zaustavi. Vruća područja mogu izazvati povredu.
- Zaustavite motor prije nego što pomjerite proizvod.
- Nemojte spuštati proizvod s uključenim motorom.
- Prije nego što uklonite neželjene materijale sa proizvoda, zaustavite motor i sačekajte da se rezni dodatak zaustavi. Dopustite da se rezni dodatak zaustavi prije nego što uklonite isječeni materijal.

## Sigurnosna uputstva za sklapanje



**UPOZORENJE:** Prije upotrebe proizvoda pročitajte upozorenja u nastavku.

- Prije sklapanja proizvoda sa svjećice uklonite kapicu svjećice.
- Koristite odobrene zaštitne rukavice.
- Vodite računa da prije pokretanja motora ispravno spojite poklopac i vratilo.

## Sigurnosna uputstva za rad

- Uvjerite se da je proizvod u potpunosti sastavljen prije korištenja istog.
- Prije početka, pomjerite proizvod na udaljenost od 3 m (10 stopa) od položaja gdje punite gorivo. Postavite proizvod na ravnu površinu. Uvjerite se da rezni dodatak ne dodiruje tlo ili druge predmete.

## Lična zaštitna oprema



**UPOZORENJE:** Prije upotrebe proizvoda pročitajte upozorenja u nastavku.

- Uvijek koristite pravilnu opremu za ličnu zaštitu kada rukujete proizvodom. Oprema za ličnu zaštitu ne

eliminiraju opasnost od povrede. Oprema za ličnu zaštitu smanjuje stepen povrede ako se nezgoda desi.

- Uvijek koristite odobrenu zaštitu za oči dok rukujete proizvodom.
- Nemojte rukovati proizvodom bosim stopalima ili u obući otvorenog tipa. Uvijek koristite robusne protuklizne čizme.
- Koristite jake, duge hlače.
- Ako je potrebno, koristite odobrene zaštitne rukavice.
- Koristite kacigu ako postoji mogućnost pada predmeta na glavu.
- Uvijek koristite odobrenu zaštitu za uši dok rukujete proizvodom. Buka tokom dužeg perioda može izazvati gubitak sluha uzrokovan bukom.
- Osigurajte da u blizini imate pribor prve pomoći.

## Sigurnosna sredstva na proizvodu



**UPOZORENJE:** Prije upotrebe proizvoda pročitajte upozorenja u nastavku.

- Nemojte koristiti proizvod s neispravnim sigurnosnim sredstvima.
- Redovno provjeravajte sigurnosna sredstva. Pogledajte *Pregled proizvoda na strani 34*.
- Ukoliko sigurnosno sredstvo nije ispravno, obratite se svom Husqvarna zastupniku servisa.

## Blokada poluge gasa

Isključivanjem poluge gasa zaključava se poluga gasa. (Sl. 19)

Pritisnite za isključivanje poluge gasa (A) da oslobodite polugu gasa (B). Kada oslobodite ručku, isključivanje poluge gasa se vraća nazad u svoj početni položaj.

1. Uvjerite se da je poluga gasa (B) zaključana u stanju mirovanja kada oslobodite isključivanje poluge gasa (A).
2. Pritisnite za isključivanje poluge gasa (A) i uvjerite se da se ona vraća u svoj početni položaj kada je oslobodite.
3. Pritisnite polugu gasa (A) i uvjerite se da se ona vraća u svoj početni položaj kada je oslobodite.

Pokrenite motor i potom dajte puni gas. Oslobodite polugu gasa i ispitajte da li se rezni dodatak zaustavlja. Ako se rezni dodatak okreće s gasom u položaju mirovanja, ispitajte vijak za podešavanje u stanju mirovanja u karburatoru.

## Prekidač za zaustavljanje

Pokrenite motor. Provjerite da li se motor zaustavlja kada prekidač za zaustavljanje pomjerite u položaj za zaustavljanje.

(Sl. 20)

## Zaštitnik reznog dodatka

Zaštitnik reznog dodatka sprečava da se labavi dijelovi izbacе u smjeru rukovaoca.

(Sl. 21)

Ispitajte zaštitnik reznog dodatka radi oštećenja i zamijenite ga ako je oštećen. Koristite samo odobrene zaštitnike za rezni dodatak.

## Auspuh

- Nemojte koristiti motor s oštećenim auspuhom. Oštećeni auspuh povećava nivo buke i opasnost od požara. Držite aparat za gašenje požara u blizini.
- Redovno provjeravajte da je auspuh pričvršćen za proizvod.
- Nemojte dodirivati motor ili auspuh kada je motor uključen. Nemojte dodirivati motor ili auspuh tokom nekog vremena nakon što se motor zaustavi. Vruće površine mogu izazvati povredu.
- Vrući auspuh može izazvati požar. Budite oprezni, ako koristite proizvod u blizini zapaljivih tečnosti ili para.
- Nemojte dodirivati dijelove na auspuhu, ako je auspuh oštećen. Dijelovi mogu sadržavati neke kancerogene hemikalije.

## Rezni dodatak



**UPOZORENJE:** Prije upotrebe proizvoda pročitajte upozorenja u nastavku.

- Obavljajte redovno održavanje. Dopustite ovlaštenom servisnom centru da redovno ispituju rezni dodatak kako bi obavili prilagođavanja ili popravke.
  - Performanse reznog dodatka se time povećavaju.
  - Životni vijek reznog dodatka se time povećava.
  - Opasnost od nezgoda se smanjuje.
- Koristite samo odobreni zaštitnik reznog dodatka. Za više informacija, pogledajte *Pribor na strani 44*.
- Nemojte koristiti oštećen rezni dodatak.

## Sigurnosne mjere pri rukovanju s gorivom



**UPOZORENJE:** Prije upotrebe proizvoda pročitajte upozorenja u nastavku.

- Nemojte miješati gorivo u zatvorenoj prostoriji ili u blizini izvora toplote.
- Nemojte pokretati proizvod ako u proizvodu ima goriva ili motornog ulja na proizvodu. Odstranite neželjeno gorivo/ulje i dopustite da se proizvod osuši. Odstranite neželjeno gorivo s proizvoda.
- Ako prolijete gorivo po odjeći, odmah presvucite odjeću.

- Nemojte dopustiti da gorivo dospije na tijelo, to može izazvati povredu. Ako gorivo dospije na odjeću, koristite sapun i vodu da odstranite gorivo.
- Nemojte pokretati motor ako prolijete ulje ili gorivo po proizvodu ili po svom tijelu.
- Nemojte pokretati proizvod ako se na motoru javlja curenje. Redovno provjeravajte motor na curenje.
- Budite oprezni s gorivom. Gorivo je zapaljivo i pare su eksplozivne i mogu izazvati povrede ili smrt.
- Nemojte udisati pare od goriva, to može izazvati povredu. Uvjerite se da ima dovoljno protoka zraka.
- Nemojte pušiti u blizini goriva ili motora.
- Nemojte stavljati tople predmete u blizini goriva ili motora.
- Nemojte dodavati gorivo kada je motor uključen.
- Uvjerite se da je motor hladan prije nego dopunite gorivo.
- Prije dopunjavanja gorivom, otvorite poklopac rezervoara za gorivo i pažljivo oslobodite pritisak.
- Nemojte dodavati gorivo u motor u zatvorenom prostoru. Nedovoljni protok zraka može izazvati povredu ili smrt zbog nedostatka kisika ili ugljičnog monoksida.
- Pažljivo pričvrstite poklopac spremnika za gorivo ili bi moglo doći do požara.
- Pomjerite proizvod minimalno 3 m (10 stopa) od položaja gdje ste punili spremnik za gorivo prije pokretanja proizvoda.
- Nemojte stavljati previše goriva u spremnik za gorivo.
- Uvjerite se da ne može doći do curenja kada pomjerite proizvod ili spremnik za gorivo.
- Nemojte stavljati proizvod ili spremnik za gorivo gdje postoji otvoreni plamen, iskra ili plinski plamen. Uvjerite se da područje za skladištenje ne sadrži otvoreni plamen.
- Koristite samo odobrene spremnika kada pomjerate gorivo ili stavljate gorivo u skladište.
- Ispraznite spremnik za gorivo prije dugotrajnog skladištenja. Poštujte lokalni zakon o tome gdje odlagati gorivo.
- Očistite proizvod prije dugotrajnog skladištenja.
- Skinite kabl svječiće prije nego što stavite proizvod u skladište kako biste bili sigurni da se motor neće pokrenuti slučajno.

## Sigurnosna uputstva za održavanje



**UPOZORENJE:** Prije održavanja proizvoda pročitajte upozorenja u nastavku.

- Vršite održavanje i servisiranje samo onako kako je dato u priručnik za rad. Prepustite da stručni serviseri izvrše sva ostala servisiranja i popravke.
- Redovno vršite sigurnosne provjere, održavanje i servisna uputstva opisana u ovom priručniku. Redovnim održavanjem se produžava trajanje proizvoda i umanjuje se opasnost od nesreća. Uputstva potražite u *Plan održavanja na strani 41*.
- Ukoliko sigurnosne provjere u ovom priručnik za rad nisu odobrene nakon što ste izvršili održavanje, obratite se zastupniku servisa. Garantujemo da za vaš proizvod nudimo stručan popravak i servisiranje.

## Sastavljanje

### Uvod



**UPOZORENJE:** Prije sklapanja proizvoda, morate s razumijevanjem pročitati poglavlje o sigurnosti.



**UPOZORENJE:** Prije sklapanja proizvoda sa svječiće uklonite kabl svječiće.

### Sklapanje okrugle ručke

1. Stavite okruglu ručku između strelica na vratilu.
2. Pritegnite vijak da pričvrstite okruglu ručku u vratilo. (Sl. 22)

### Da biste sastavili rezni dodatak

#### Da biste sastavili štitnik reznog dodatka

1. Stavite štitnik reznog dodatka (A) u vratilo. (Sl. 23)

2. Stavite držač (B) u isječak na štitniku reznog dodatka.
3. Postavite vijak (C) kroz rupu na držaču do štitnika reznog dodatka.

### Postavljanje glave trimera

1. Provjerite je li štitnik reznog dodatka (A) pričvršćen na proizvod. Pogledajte *Da biste sastavili štitnik reznog dodatka na strani 38*. (Sl. 24)
2. Provjerite je li pogonska ploča (C) pričvršćena na izlazno vratilo (D).
3. Postavite zvjezdasti ključ (B) u otvor kako biste zabravili vratilo.
4. Postavite glavu trimera (E) na izlazno vratilo.
5. Okrenite glavu trimera u smjeru suprotno od kazaljki na satu da je pritegnete na izlazno vratilo. (Sl. 25)
6. Uklonite zvjezdasti ključ.

# Rukovanje

## Uvod



**UPOZORENJE:** Prije rada s proizvodom, morate s razumijevanjem pročitati poglavlje o sigurnosti.

## Gorivo

Ovaj proizvod ima dvotaktni motor.



**OPREZ:** Nepravilno gorivo može uzrokovati oštećenje motora. Koristite mješavinu benzina i ulja za dvotaktni motor.

## Pripremljena smješa goriva

- Za najbolje rezultate i duži radni vijek motora, koristite pripremljenu smještu goriva Husqvarna dobrog kvaliteta. Takvo gorivo sadrži manje opasne hemikalije od običnog goriva, čime se smanjuju opasni ispušni dimovi. S takvim gorivom, količina ostataka nakon sagorijevanja je manja, zbog čega sastavni dijelovi motora budu čišći.

## Miješanje goriva

### Benzin



**OPREZ:** Nemojte koristiti benzin s brojem oktana koji je manji od 90 RON (87 AKI). To može izazvati oštećenje na proizvodu.



**OPREZ:** Nemojte koristiti benzin s više od 10% koncentracije etanola (E10). To može izazvati oštećenje na proizvodu.

- Uvijek koristite novi bezolovni benzin s minimalnim brojem oktana od 90 RON (87 AKI) i s manje od 10% koncentracije etanola (E10).
- Koristite benzin s većim brojem oktana ako često koristite proizvod pri kontinuirano visokoj brzini.

### Ulje za dvotaktne motore

- Za najbolje rezultate i rada koristite Husqvarna ulje za dvotaktne motore.
- Ukoliko Husqvarna ulje za dvotaktne motore nije dostupno, koristite kvalitetno ulje za dvotaktne motore sa zračnim hlađenjem. Obratite se zastupniku servisa za odabir pravilnog ulja.



**OPREZ:** Nemojte koristiti ulje za vanbrodske dvotaktne motore s vodenim hlađenjem, koji se nazivaju i vanbrodski. Nemojte koristiti ulje za četverotaktne motore.

## Miješanje benzina i ulja za dvotaktne motore

Benzin, litar	Ulje za dvotaktne motore, litar
	2% (50:1)
5	0,10
10	0,20
15	0,30
20	0,40



**OPREZ:** Ukoliko pravite malu količinu smješe, male greške mogu drastično poremetiti omjer smješe. Pravilno izmjerite količinu ulja i vodite računa da dobijete pravilnu smještu.

(Sl. 26)

1. Naspite pola količine benzina u čistu posudu za gorivo.
2. Dodajte punu količinu ulja.
3. Protresite smještu goriva.
4. Dodajte preostalu količinu benzina u posudu.
5. Protresite smještu goriva.



**OPREZ:** Nemojte miješati gorivo više od jednom mjesečno.

## Da biste dodali gorivo

- Uvijek koristite spremnik goriva s ventilom protiv prolijevanja.
- Ako je u spremniku ostalo nešto goriva, uklonite neželjeno gorivo i ostavite da se spremnik osuši.
- Uvjerite se da je područje koje se nalazi u blizini spremnika za gorivo čisto.
- Protresite spremnik za gorivo prije nego što dodate mješavinu goriva u spremnik za gorivo.

## Razrađivanje

- Za vrijeme prvih 10 sati rada, nemojte koristiti puni gas bez opterećenja duže vrijeme.

## Pokretanje i zaustavljanje

### Pregled prije početka rada

1. Vodite računa da na proizvodu nema dijelova koji su oštećeni, olabavljeni, istrošeni ili koji nedostaju.
2. Vodite računa da su matice i vijci pričvršćeni.

3. Vodite računa da glava trimera ne bude oštećena.
4. Vodite računa da filter za zrak nije začepljen.
5. Vodite računa da sigurnosni uređaji na proizvodu nisu neispravni.
6. Vodite računa da gorivo ne curi iz proizvoda.

## Pokretanje hladnog motora

1. Pritisnite pumpicu za istiskivanje zraka 10 puta. (Sl. 27)
2. Povucite ručicu za kontrolu čoka prema gore. (Sl. 28)
3. Kućište proizvoda držite na tlu lijevom rukom. (Sl. 29) Nemojte stajati na proizvod. Povucite ručku konopa za paljenje dok ne osjetite otpor. Zatim povucite ručku konopa za paljenje koristeći silu.

**Napomena:** Nemojte povlačiti polugu gasa prilikom pokretanja motora.

4. Nastavite povlačiti ručku konopa za paljenje dok se motor ne pokrene ili pokuša pokrenuti (maksimalno 3 povlačenja). Ako se motor pokrene ili pokuša pokrenuti, pritisnite ručicu za čok prema dolje. Nastavite povlačiti dok se motor ne pokrene. Sačekajte 60 sekundi nakon pokretanja prije nego što povučete polugu gasa.



**OPREZ:** Nemojte povlačiti konop za paljenje dok se ne zaustavi. Ne puštajte konop za paljenje kada je izvučen do kraja. Polako otpustite konop za paljenje. Ako se ne pridržavate ovih uputstava, to može izazvati oštećenje na motoru.

## Da biste pokrenuli zagrijan motor.

1. Pritisnite pumpicu za istiskivanje zraka 10 puta.
2. Povlačite konop za paljenje dok se motor ne pokrene.

## Da biste pokrenuli motor kada je gorivo pregrijano

Ako ne možete pokrenuti proizvod, moguće je da je gorivo pregrijano.

**Napomena:** Uvijek koristite novo gorivo i smanjite vrijeme rada tokom toplog vremena.

1. Odložite proizvod u hladno područje dalje od direktne sunčeve svjetlosti.
2. Ostavite proizvod da se ohladi minimalno 20 minuta.
3. Pritišćite pumpicu za pročišćenje zraka nekoliko puta tokom 10-15 sekundi.
4. Poštujte postupak za pokretanje hladnog motora. Pogledajte *Pokretanje hladnog motora na strani 40*.

## Zaustavljanje

- Pritisnite prekidač za zaustavljanje da zaustavite motor. (Sl. 30)

**Napomena:** Prekidač za zaustavljanje se automatski vraća u svoj početni položaj.

## Rukovanje trimenom za travu



**OPREZ:** Uvjerite se da ste mašinu usporili na brzinu u praznom hodu nakon svake operacije. Dugi period pri punom gasu bez opterećenja na motoru može uzrokovati oštećenje motora.

**Napomena:** Očistite poklopac glave trimera kada postavljate novi flaks za trimer kako biste spriječili vibracije. Provjerite ostale dijelove glave trimera i očistite ih po potrebi.

## Trimovanje trave

1. Glavu za podrezivanje držite nakošeno odmah iznad tla. Nemojte gurati flaks trimera u travu. (Sl. 31)
2. Smanjite dužinu flaksa trimera za 10–12 cm / 4–4,75 inča.
3. Smanjite brzinu motora kako biste smanjili rizik od oštećenja biljaka.
4. Koristite 80% gasa kada režete travu u blizini predmeta. (Sl. 32)

## Rezanje trave

1. Pazite da flaks za trimer bude paralelan s tlom kada obavljate rezanje. (Sl. 33)
2. Nemojte pritiskati glavu trimera u tlo. To može oštetiti tlo i proizvod.
3. Nemojte dopustiti da glava trimera stalno dodiruje tlo, to može izazvati oštećenje glave trimera.
4. Koristite puni gas kada pomjerate proizvod s mjesta na mjesto da biste rezali travu. Uvjerite se da je silk za trimer za rezanje trave paralelno postavljen s tlom. (Sl. 34)

## Glava trimera za travu

- Uvjerite se da flaks za trimer namotate čvrsto i ravnomjerno oko doboša kako biste smanjili vibracije.
- Koristite samo odobrene glave trimera za travu i flaks trimera za travu. Pogledajte *Pribor na strani 44*.
- Koristite pravilnu dužinu flaksa za trimer. Flaks za trimer za dugu travu koristi veću snagu motora nego flaks za trimer za kratku travu.
- Uvjerite se da sječivo na zaštitniku reznog dodatka nije oštećeno.



- Umočite flaks za trimer u vodu tokom 2 dana prije nego što pričvrstite flaks za trimer na proizvod. To povećava životni vijek flaksa za trimer.

(Sl. 37)  
(Sl. 38)  
(Sl. 39)  
(Sl. 40)  
(Sl. 41)  
(Sl. 42)

## Da biste zamijenili flaks za trimer

(Sl. 35)  
(Sl. 36)

# Održavanje

## Uvod



**UPOZORENJE:** Prije održavanja, morate s razumijevanjem pročitati poglavlje o sigurnosti.

Za sve servisne radove i popravke proizvoda, potrebna je posebna obuka. Mi garantujemo da su na raspolaganju profesionalna popravka i usluga. Ukoliko vaš prodavač nije predstavnik servisa, zatražite od njega informacije o najbližem predstavniku servisa.

## Plan održavanja

### Sedmično održavanje

- Očistite vanjske površine.
- Vodite računa da se rezni dodatak se ne pomjera pri radu u praznom hodu. Pogledajte *Da biste podesili brzinu u praznom hodu na strani 41*.
- Provjerite nivo podmazanosti na konusnom pogonu. Pogledajte *Da biste podmazali konusni pogon na strani 42*.

### Mjesečno održavanje

- Vodite računa da ručka konopa za pokretanje i konop za pokretanje nisu oštećeni.

### Godišnje održavanje

- Provjerite svječiću. Pogledajte *Da biste provjerili svječiću na strani 41*
- Očistite vanjske površine karburatora i područja u njegovoj blizini.
- Očistite sistem za hlađenje.
- Provjerite zaslon odvodnika iskri. Pogledajte *Da biste obavili radove na održavanju na zaslonu odvodnika iskri na strani 41*.
- Provjerite filter za gorivo.
- Vodite računa da crijevo za gorivo nije oštećeno.
- Vodite računa da kablovi i priključci na proizvodu nisu oštećeni.

## Da biste podesili brzinu u praznom hodu

- Uvjerite se da je filter za zrak čist i da je poklopac filtera za zrak pričvršćen prije nego što podesite brzinu u praznom hodu.

- Podesite brzinu u praznom hodu pomoću vijka za podešavanje brzine u praznom hodu T koji je označen oznakom "T".
- Brzina u praznom hodu je pravilno namještena kada motor glatko radi u svakom položaju. Brzina u praznom hodu mora biti manja od brzine pri kojoj se rezni dodatak počinje okretati.

1. Okrenite vijak u smjeru kretanja kazaljki na satu dok se rezni dodatak ne pode okretati. (Sl. 43)
2. Okrenite vijak za podešavanje brzine u praznom hodu u smjeru suprotnom od smjera kretanja kazaljki na satu dok se rezni dodatak ne zaustavi.

## Da biste obavili radove na održavanju na zaslonu odvodnika iskri

Koristite žičanu četku da očistite mrežicu odvodnika iskri.

(Sl. 44)

## Čišćenje sistema za hlađenje

Četkom očistite dijelove sistema za hlađenje.

(Sl. 45)

## Da biste provjerili svječiću



**OPREZ:** Koristite preporučene svječice.

Uvjerite se da zamijenjeni dio bude isti kao i dio kojeg je osigurao proizvođač. Nepravilna svječica može izazvati oštećenje na proizvodu.

1. Provjerite svječiću kada:
  - a) je motor pri malo jačini,
  - b) se motor ne pokreće lako,
  - c) motor ne radi ispravno pri brzini u praznom hodu.
2. Ako se motor ne pokreće lako ili ne radi glatko, provjerite svječiću zbog neželjenih materijala. Da biste smanjili opasnost od neželjenih materijala na elektrodama svječice:
  - a) uvjerite se da je brzina u praznom hodu ispravno podešena,
  - b) uvjerite se da je mješavina goriva ispravna,
  - c) uvjerite se da je filter za zrak čist.
3. Očistite svječiću ako je prljava. Provjerite zazor između elektroda. (Sl. 46)

4. Zamijenite svjeću kad je to potrebno.

## Za održavanje filtera

### Čišćenje zračnog filtera

1. Uklonite poklopac filtera za zrak i uklonite filter za zrak. (Sl. 47)
2. Očistite filter za zrak toplom sapunjavom vodom. Uvjerite se da je filter za zrak suh prije nego ga postavite.
3. Zamijenite filter zraka ako je previše prljav kako biste ga potpuno očistili. Uvijek zamijenite oštećeni filter za zrak.
4. Ako vaš proizvod ima pjenasti filter za zrak, nanesite ulje za filter za zrak. Nanesite samo ulje za filter za zrak na pjenasti filter. Nemojte nanositi ulje na felt filter.

### Da biste nanijeli ulje za filter za zrak na zračni filter



**OPREZ:** Uvijek koristite posebno ulje za filter za zrak na pjenaste zračne filtere. Nemojte koristiti druge tipove ulja.



**UPOZORENJE:** Nemojte dopustiti da ulje dospje na vaše tijelo.

1. Uklonite poklopac filtera za zrak i uklonite filter za zrak. (Sl. 48)
2. Stavite filter za zrak u plastičnu vrećicu.
3. Stavite ulje za filter za zrak u plastičnu vrećicu. (Sl. 49)
4. Pritisnite plastičnu vrećicu kako biste osigurali da se ulje raspoređuje jednako širom filtera za zrak.
5. Pritisnite filter za zrak dok je u vrećici, kako biste uklonili ulje za filter za zrak koje nije potrebno. Uklonite filter za zrak iz vrećice.
6. Postavite filter za zrak.

### Da biste podmazali konusni pogon

Provjerite je li konusni pogon napunjen do 3/4 masti za konusni pogon.

(Sl. 50)

## Rješavanje problema

### Motor se ne pokreće

Provjeriti	Mogući uzrok	Postupak
Prekidač za zaustavljanje.	Prekidač za zaustavljanje je u položaju za zaustavljanje.	Prekidač za zaustavljanje postavite u položaj za pokretanje.
Zapinjači startera.	Zapinjači startera se ne mogu slobodno pomjerati.	Uklonite poklopac startera i očistite područje oko zapinjača startera. Za pomoć se obratite ovlaštenom predstavniku servisa.
Rezervoar za gorivo.	Neodgovarajuća vrsta goriva.	Ispraznite rezervoar za gorivo i napunite ga odgovarajućom vrstom goriva.
Svjeća.	Svjeća je prljava ili vlažna.	Vodite računa da svjeća bude čista i suha.
	Zazor elektrode svjeće je neodgovarajući.	Očistite svjeću. Vodite računa da zazor elektrode bude ispravan. Provjerite je li na svjeći postavljen potiskivač. Podatke o odgovarajućem zazoru elektrode potražite u tehničkim podacima.
	Svjeća je labava.	Pritegnite svjeću.

## Motor se pokreće ali se ponovo zaustavlja.

Provjeri	Mogući uzrok	Postupak
Rezervoar za gorivo	Neodgovarajuća vrsta goriva.	Ispraznite rezervoar za gorivo i napunite ga odgovarajućom vrstom goriva.
Filter zraka	Filter zraka je začepljen.	Očistite filter zraka.

## Transport, skladištenje i odbacivanje

### Transport i skladištenje

- Prije transporta ili skladištenja ostavite da se proizvod ohladi.
- Prije skladištenja na duže vrijeme uklonite zatvarač svjećice.
- Pričvrstite proizvod za vrijeme transporta. Vodite računa da se ne može pomjerati.
- Vodite računa da tokom transporta nema opasnosti od curenja goriva, para goriva, iskri ili plamena.
- Prije skladištenja na duže vrijeme očistite i servisirajte proizvod.

## Tehnički podaci

### Tehnički podaci

	<b>325L</b> <b>A05328CSHV</b>
<b>Motor</b>	
Volumen cilindra cm <sup>3</sup>	27,6
Broj obrtaja u praznom hodu, o/min	2800 - 3200
Preporučena maksimalna brzina, broj o/min:	8000
Snaga / Maksimalna snaga motora, prema ISO 8893, kW/ o/min	0,9/1.2 / 8000
Auspuh sa katalizatorom	Da
Brzina izlazne osovine, o/min	7200
<b>Sistem paljenja</b>	
Svjećica	Husqvarna HQT-4
Zazor elektroda, mm	0,5
<b>Sistem goriva</b>	
Kapacitet rezervoara za gorivo, l/cm <sup>3</sup>	0,343/343
<b>Dimenzije proizvoda</b>	
Težina (bez opreme za rezanje), kg	5,0

	<b>325L</b> <b>A05328CSHV</b>
<b>Emisija buke<sup>7</sup></b>	
Nivo jačine zvuka, garantovani ( $L_{WA}$ ), dB(A)	114
Nivo jačine zvuka, izmjeren, dB(A)	110
<b>Nivoi jačine zvuka<sup>8</sup></b>	
Nivo pritiska zvuka u uhu rukovaoca, opremljeno glavom trimera, dB(A)	93
<b>Nivoi vibracija<sup>9</sup></b>	
Ekvivalentni nivo vibracije (ahv, eq), opremljeno glavom trimera, lijeva strana, $m/s^2$	4,2
Ekvivalentni nivo vibracije (ahv, eq), opremljeno glavom trimera, desna strana, $m/s^2$	6,1

---

## Pribor

---

### Pribor

Odobreni pribor	Tip	Zaštitnik reznog dodatka
Vratilo s navojima	M10L	
Glava trimera	T35, Ø 2,4 mm	588 54 37-01

<sup>7</sup> Emisije buke u okruženju mjerene kao jačina zvuka ( $L_{WA}$ ) u skladu s Direktivom EC 2000/14/EC. Prijavljeni nivo jačine zvuka za proizvod izmjeren je s originalnim reznim dodatkom koji daje najviši nivo. Razlika između garantirane i izmjerene jačine zvuka je u tome da garantirana jačina zvuka obuhvata i disperziju rezultata mjerenja i varijacije između različitih proizvoda istog modela u skladu s Direktivom 2000/14/EC.

<sup>8</sup> Prijavljeni podaci za ekvivalentni nivo pritiska zvuka za proizvod imaju tipičnu statističku disperziju (standardno odstupanje) od 1 dB (A).

<sup>9</sup> Prijavljeni podaci ekvivalentnih nivoa vibracije posjeduju tipičnu statičku disperziju (standardno odstupanje) od 1  $m/s^2$ .

---

## Izjava EK o usklađenosti

---

### Sadržaj deklaracije EZ o usklađenosti

Mi, Husqvarna AB, SE 561 82 Huskvarna, ŠVEDSKA, izjavljujemo pod punom odgovornošću da predstavljeni proizvod:

<b>Opis</b>	<b>Benzinski trimer za travu / čistač grmova</b>
Brend	Husqvarna
Platforma / tip / model	Platforma A05328CSHV, predstavlja model 325L.
Serijski broj	Serijski broj s datumom od 2018 i nadalje.

u potpunosti su u skladu sa sljedećim EU direktivama i propisima:

Direktiva/propis	Opis
2006/42/EC	“o mašinama”
2014/30/EU	“o elektromagnetnoj kompatibilnosti”
2000/14/EC	“o spoljnoj buci”
2011/65/EU	“o ograničenju upotrebe određenih opasnih supstanci”

Harmonizirani standardi i/ili tehničke specifikacije primijenjene su kako slijedi: EN ISO 12100, EN ISO 11806-1, CISPR 12, ISO 14982, EN 50581:2012.

U skladu s direktivom 2000/14/EC, Aneks V, deklarirane vrijednosti zvuka su navedene u odjeljku za tehničke podatke ovog priručnika i u potpisanoj Deklaraciji EC o usklađenosti.

Organizacija TÜV Rheinland N.A. je izvršila dobrovoljno ispitivanje u ime kompanije Husqvarna AB i dodijelila certifikat o usklađenosti s Direktivom vijeća EC 2006/42/EC za mašinsku opremu.

Certifikat, kao što je navedeno u potpisanoj Deklaraciji EC o usklađenosti, primjenjuje se na svim lokacijama proizvođača i u zemljama porijekla, kao što je navedeno na proizvodu.

Isporučeni benzinski trimer za travu / čistač grmova usklađen je s primjerom koji je bio podvrgnut ispitivanju.

---

## Obsah

---

Úvod.....	46	Odstraňování problémů.....	54
Bezpečnost.....	47	Přeprava, skladování a likvidace.....	55
Montáž.....	50	Technické údaje.....	55
Provoz.....	51	Příslušenství.....	56
Údržba.....	53	ES Prohlášení o shodě.....	57

---

## Úvod

---

### Návod k používání

Návod k obsluze byl původně napsán v angličtině. Návod k obsluze v ostatních jazycích jsou překlady z angličtiny.

### Doporučené použití

Výrobek se používá se strunovou hlavou k sečení trávy. Nepoužívejte výrobek k jiným činnostem, než je vyžínání trávy a travního porostu.

### Popis výrobku

(Obr. 1)

1. Strunová hlava
2. Uzávěr mazacího otvoru
3. Kolmý ozubený převod
4. Ochrana řezacího nástavce
5. Trubka hřídele
6. Obloukové držadlo
7. Páčka plynu
8. Stop spínač (vypínač zapalování)
9. Pojistka spínače plynu
10. Koncovka kabelu zapalovací svíčky, zapalovací svíčka
11. Kryt startéru
12. Rukojeť startéru
13. Palivová nádrž
14. Kryt vzduchového filtru
15. Pomocná palivová pumpička
16. Ovládání sytiče
17. Hnací kotouč
18. Návod k používání
19. Torx

### Symbyly na výrobku

- (Obr. 2) **VAROVÁNÍ!** Tento výrobek je nebezpečný. Pokud není výrobek používán obezřetně a řádně, může dojít k zranění nebo usmrcení obsluhy či osob v okolí. Aby se zabránilo zranění obsluhy a osob v okolí, přečtěte si a dodržujte všechny

**Povšimněte si:** Věk pro používání výrobku může být omezen místními předpisy.

---

- bezpečnostní pokyny uvedené v návodu k používání.
- (Obr. 3) Před použitím si pozorně prostudujte tento návod k používání a nepoužívejte výrobek, pokud návodu zcela nerozumíte.
- (Obr. 4) Vždy používejte schválenou ochranu sluchu. Vždy používejte schválenou ochranu očí.
- (Obr. 5) Výrobek může způsobit vymrštění předmětů a následné zranění.
- (Obr. 6) Maximální otáčky výstupního hřídele
- (Obr. 7) Během používání výrobku udržuje minimální vzdálenost 15 m od osob a zvířat.
- (Obr. 8) Používejte výhradně pružnou vyžínací strunu
- (Obr. 9) Nepoužívejte kovové žací prvky
- (Obr. 10) Šipky znázorňují krajní polohy držadla.
- (Obr. 11) Pomocná palivová pumpička.
- (Obr. 12) Sytič.
- (Obr. 13) Doplnňování paliva.
- (Obr. 14) Emise hluku do okolí dle směrnice Evropského společenství. Emise výrobku jsou uvedeny v kapitole Technické údaje a na štítku.

(Obr. 15) Výrobek odpovídá příslušným směrnícím ES.

(Obr. 16) Výrobek odpovídá příslušným směrnícím EAC.

Typový štítek s výrobním číslem. **yyyy** je rok výroby, **ww** je týden výroby a **xxxxx** je sériové číslo.

yyyywwxxxx

**Povšimněte si:** Další symboly/štítky na produktu se týkají certifikačních požadavků pro další komerční oblasti.

## Odpovědnost za výrobek

Jak uvádí zákon o odpovědnosti za výrobek, neneseme odpovědnost za žádnou škodu způsobenou našim výrobkem, pokud:

- byl produkt nesprávně opraven,
- byl produkt opraven pomocí součástí od jiného výrobce nebo součástí, které nejsou výrobcem schváleny,
- má produkt příslušenství od jiného výrobce nebo příslušenství, které není výrobcem schváleno,
- produkt nebyl opraven ve schváleném servisním středisku nebo schváleným odborníkem.

## EU V



**VÝSTRAHA:** Manipulace s motorem vede k zneplnění typového schválení EU tohoto výrobku.

## Bezpečnost

### Definice týkající se bezpečnosti

Varování, upozornění a poznámky slouží jako upozornění na specifické důležité části návodu.



**VÝSTRAHA:** Používá se v případě nebezpečí úrazu nebo usmrcení obsluhy nebo okolních osob, pokud nejsou dodrženy pokyny uvedené v této příručce.



**VAROVÁNÍ:** Používá se v případě nebezpečí poškození výrobku, dalších materiálů či škod na majetku v blízkém okolí, pokud nejsou dodrženy pokyny uvedené v této příručce.

**Povšimněte si:** Používá se k poskytnutí dalších informací, které jsou nezbytné v dané situaci.

### Ochrana před vibracemi

Tento výrobek je určen pouze k příležitostnému provozu. Souvislý nebo pravidelný provoz tohoto výrobku může způsobit onemocnění rukou, tzv. bílé prsty, nebo podobné zdravotní problémy způsobené vibracemi. Pokud používáte výrobek souvisle nebo pravidelně, kontrolujte stav rukou a prstů. Pokud ruce nebo prsty zblednou, bolí, cítíte mravenčení nebo jsou znečitlivěné, ukončete práce a promluvte si co nejdříve s lékařem.

### Obecné bezpečnostní pokyny



**VÝSTRAHA:** Před použitím výrobku si přečtěte následující varování.

- Používejte výrobek správně. Nesprávné používání může mít za následek zranění nebo smrt. Výrobek používejte pouze k činnostem uvedeným v tomto návodu. K jiným činnostem výrobek nepoužívejte.
- Řiďte se pokyny v návodu. Řiďte se bezpečnostními symboly a pokyny. Pokud se obsluha nebude řídit pokyny a symboly, může dojít ke zranění, poškození nebo smrti.
- Tento návod nevyhazujte. Použijte pokyny k sestavení, k používání a udržování výrobku v dobrém stavu. Použijte pokyny k správné montáži nástavců a příslušenství. Používejte pouze schválené nástavce a příslušenství.
- Nepoužívejte poškozený výrobek. Dodržujte plán údržby. Provádějte pouze údržbu, ke které najdete pokyny v tomto návodu. Veškerou údržbu musí provádět schválené servisní středisko.
- Tento návod nemůže obsahovat všechny situace, ke kterým při používání výrobku dochází. Buďte opatrní a používejte zdravý rozum. Výrobek nepoužívejte a neprovádějte údržbu, když si nejste jisti danou situací. Poradte se s odborníkem, prodejcem, servisním pracovníkem nebo schváleným servisním střediskem.
- Před montáží, uskladněním nebo údržbou výrobku odpojte kabel zapalovací svíčky.
- Pokud se změní původní specifikace výrobku, nepoužívejte ho. Bez schválení výrobcem neměňte žádné součásti výrobku. Používejte výhradně díly schválené výrobcem. Nesprávná údržba může mít za následek zranění nebo smrt.
- Nevdechujte výpary motoru. Dlouhodobé vdechování výfukových plynů z motoru představuje zdravotní riziko.
- Nestartujte výrobek uvnitř budovy ani v blízkosti hořlavých materiálů. Výfukové plyny jsou horké a mohou obsahovat jiskry, které by mohly zažehnout

požár. Nedostatečné proudění vzduchu může způsobit zranění nebo smrt udušením nebo otravou kyslíčnícem uhelnatým.

- Při používání výrobku vytváří motor elektromagnetické pole. Elektromagnetické pole může poškodit implantované lékařské přístroje. Před použitím výrobku se poraďte s lékařem a výrobcem implantovaných lékařských přístrojů.
- Zamezte používání výrobku dětmi. Zamezte používání výrobku osobami, které naznaží pokyny.
- Vždy sledujte osoby s fyzickým nebo mentálním postižením při práci s výrobkem. Vždy musí být přítomna zodpovědná dospělá osoba.
- Výrobek zamykejte na místě, kam nemají přístup děti a nežádoucí osoby.
- Produkt může způsobit vymrštění předmětů a následně poranění. Dodržujte bezpečnostní předpisy pro snížení rizika zranění a smrti.
- Neodcházejte od výrobku, když je spuštěný motor.
- Za případnou nehodu nese zodpovědnost obsluha výrobku.
- Před použitím se přesvědčte, že nejsou poškozeny součásti.
- Před použitím výrobku zajistěte, abyste byli ve vzdálenosti minimálně 15 m (50 stop) od ostatních osob a zvířat. Zajistěte, aby osoby ve vaší blízkosti věděly, že budete výrobek používat.
- Podrobnosti naleznete v mezinárodních a místních zákonech. Za určitých podmínek mohou použití výrobku zakazovat nebo omezovat.
- Nepoužívejte výrobek, jste-li unavení nebo pod vlivem alkoholu, drog nebo léků. Tyto faktory mohou ovlivnit váš zrak, pozornost, koordinaci nebo úsudek.

## Bezpečnostní pokyny pro montáž



**VÝSTRAHA:** Před použitím výrobku si přečtěte následující varování.

- Před montáží výrobku vyjměte ze zapalovací svíčky koncovku kabelu zapalovací svíčky.
- Používejte schválené ochranné rukavice.
- Před spuštěním motoru zkontrolujte, zda jsou kryt a hřídel správně namontovány.

## Bezpečnostní pokyny pro provoz

- Před použitím zkontrolujte, že je výrobek zcela smontovaný.
- Před spuštěním poodejděte 3 m (10 stop) od místa, kde jste doplňovali palivo. Položte výrobek na rovný podklad. Zkontrolujte, zda sekací nástavec nemůže přijít do kontaktu se zemí nebo cizími objekty.
- Produkt může způsobit vymrštění předmětů a následně poranění očí. Při práci s výrobkem vždy používejte ochranu očí.
- Dejte pozor, během práce se k vám může přiblížit dítě, aniž byste o tom věděli.

- Pokud se v pracovní oblasti vyskytují osoby, nepracujte. Když do pracovní oblasti vstoupí jiná osoba, výrobek vypněte.
- Přesvědčte se, že máte výrobek stále pod kontrolou.
- Pokud by vám v případě nehody neměl kdo pomoci, výrobek nepoužívejte. Než začnete výrobek používat, přesvědčte se, že o tom ostatní vědí.
- Než se s výrobkem otočíte, přesvědčte se, že se v bezpečnostní oblasti nevyskytují žádné osoby ani zvířata.
- Než výrobek spustíte, odstraňte z pracovní oblasti případné nechtěné materiály. Pokud sekací nástavec zasáhne nějaký předmět, může dojít k vymrštění předmětu a zranění nebo škodě. Nechtěný materiál se může namotat na sekací nástavec a způsobit škodu.
- Výrobek nepoužívejte za špatného počasí (mlha, déšť, silný vítr, nebezpečí blesku nebo jiné počasí). Špatné počasí může způsobit nebezpečné podmínky (například kluzký povrch).
- Přesvědčte se, že se můžete volně pohybovat a pracovat ve stabilní poloze.

(Obr. 17)

- Ujistěte se, že při používání výrobku nemůžete spadnout. Při používání výrobku se nenaklánějte.
- Výrobek počásí může způsobit nebezpečné podmínky (například kluzký povrch).

(Obr. 18)

- Při práci s výrobkem udržujte sekací nástavec pod úrovní pasu.
- Pokud je po spuštění motoru ovládní tyčiče v poloze sycení, spustí se sekací nástavec.
- Po zastavení motoru se nedotýkejte kuželového ozubeného kola. Kuželové ozubené kolo je po zastavení motoru horké. Horké oblasti mohou způsobit zranění.
- Než výrobek začnete přesouvat, zastavte motor.
- Neodkládejte výrobek, když je spuštěný motor.
- Než začnete s výrobku odstraňovat nechtěný materiál, zastavte motor a počkejte, než se sekací nástavec zastaví. Než vy nebo asistent odstraníte nechtěný materiál, nechte sekací nástavec zastavit.

## Osobní ochranné prostředky



**VÝSTRAHA:** Před použitím výrobku si přečtěte následující varování.

- Při práci s výrobkem vždy používejte správné osobní ochranné prostředky. Osobní ochranné prostředky neodstraňují nebezpečí zranění. Osobní ochranné prostředky snižují úroveň zranění v případě nehody.
- Při práci s výrobkem vždy používejte schválenou ochranu očí.
- Nepracujte s výrobkem bosí nebo v otevřených botách. Vždy používejte odolnou obuv s protiskluzovou podrážkou.
- Používejte silné, dlouhé kalhoty.



- V případě nutnosti použijte schválené ochranné rukavice.
- Pokud hrozí nebezpečí pádu nějakého předmětu, použijte helmu.
- Při práci s výrobkem vždy používejte schválenou ochranu sluchu. Dlouhodobé působení hluku může způsobit ztrátu sluchu vyvolanou hlukem.
- Přesvědčte se, že máte v dosahu k dispozici lékárníčku.

## Bezpečnostní zařízení na produktu



**VÝSTRAHA:** Před použitím výrobku si přečtěte následující varování.

- Nepoužívejte výrobek, jehož bezpečnostní zařízení jsou vadná!
- Pravidelně kontrolujte bezpečnostní zařízení. Další informace naleznete v části *Popis výrobku na strani 46*.
- Pokud je bezpečnostní zařízení vadné, obraťte se na servisního prodejce Husqvarna.

### Pojistka spínače plynu

Pojistka spínače plynu blokuje spínač plynu. (Obr. 19)

Stisknutím pojistky spínače plynu (A) uvolníte spínač plynu (B). Když uvolníte rukojeť, pojistka spínače plynu a spínač plynu se vrátí do výchozí polohy.

1. Při uvolnění pojistky spínače plynu (A) se přesvědčte, že je spínač plynu (B) zablokovaný ve volnoběžných otáčkách.
2. Stiskněte pojistku spínače plynu (A) a zkontrolujte, zda se po uvolnění vrátí do své výchozí polohy.
3. Stiskněte spínač plynu (B) a zkontrolujte, zda se po uvolnění vrátí do své výchozí polohy.

Nastartujte motor a dejte plný plyn. Uvolněte spínač plynu a zkontrolujte, jestli se sekací nástavec zastaví. Pokud se sekací nástavec otáčí, když je plyn v pozici volnoběhu, zkontrolujte stavěcí šroub karburátoru.

### Stop spínač (vypínač zapalování)

Nastartujte motor. Zkontrolujte, zda se motor zastaví při přesunutí vypínače zapalování do polohy zastavení.

(Obr. 20)

### Ochrana řezacího nástavce

Kryt sekacího nástavce brání vymrštění volných předmětů směrem k obsluze.

(Obr. 21)

Zkontrolujte, zda není kryt sekacího nástavce poškozený a případně ho vyměňte. Používejte pouze kryt schválený pro sekací nástavec.

## Tlumič výfuku

- Nepoužívejte motor s poškozeným tlumičem. Poškozený tlumič zvyšuje úroveň hluku a nebezpečí požáru. Vždy mějte poblíž hasicí přístroj.
- Pravidelně kontrolujte, zda je k výrobku namontován tlumič.
- Nedotýkejte se běžícího motoru ani tlumiče. Motoru ani tlumiče se nedotýkejte ani nějakou dobu po zastavení motoru. Horký povrch může způsobit zranění.
- Horký tlumič může způsobit požár. Buďte opatrní, pokud výrobek používáte v blízkosti hořlavých kapalin a plynů.
- Pokud je tlumič poškozen, nedotýkejte se jeho součástí. Součásti mohou obsahovat karcinogenní chemikálie.

## Sekací nástavec



**VÝSTRAHA:** Před použitím výrobku si přečtěte následující varování.

- Provádějte pravidelnou údržbu. Ve schváleném servisním středisku nechte sekací nástavec pravidelně kontrolovat, seřadit nebo případně opravit.
  - Zvýší se tím výkon sekacího nástavce.
  - Prodlouží se tím životnost sekacího nástavce.
  - Sniží se nebezpečí nehody.
- Používejte pouze schválený kryt sekacího nástavce. Další informace viz *Příslušenství na strani 56*.
- Nepoužívejte poškozený sekací nástavec.

## Bezpečnost při manipulaci s palivem



**VÝSTRAHA:** Před použitím výrobku si přečtěte následující varování.

- Nemíchejte palivo ve vnitřních prostorech nebo v blízkosti zdrojů tepla.
- Pokud je na výrobku palivo nebo olej, nespouštějte ho. Nechtěné palivo/olej z výrobku odstraňte a nechte výrobek uschnout. Nechtěné palivo z výrobku odstraňte.
- Pokud si palivem polijete oblečení, okamžitě se převlékněte.
- Zabraňte styku paliva s tělem, může způsobit zranění. Pokud se palivo na vaše tělo dostane, omyjte se vodou a mýdlem.
- Pokud polijete výrobek nebo sebe olejem nebo palivem, nespouštějte motor výrobku.
- Nepouštějte motor, pokud z něj něco uniká. Pravidelně kontrolujte, jestli z motoru nic neuniká.
- Při manipulaci s palivem buďte opatrní. Palivo je hořlavé a výpary jsou výbušné a mohou způsobit zranění nebo smrt.

- Nevdechujte palivové výpary, můžou způsobit zranění. Zajistěte dostatečný průtok vzduchu.
- V blízkosti paliva ani motoru nekuřte.
- Do blízkosti paliva ani motoru neumísťujte horké předměty.
- Když je spuštěný motor, nedoplňujte palivo.
- Než začnete doplňovat palivo, přesvědčte se, že je motor studený.
- Než doplníte palivo, pomalu otevřete uzávěr palivové nádrže a opatrně uvolněte tlak.
- Palivo do motoru nedoplňujte ve vnitřních prostorech. Nedostatečné proudění vzduchu může způsobit zranění nebo smrt udušením nebo otravou kyslíčnickem uhelnatým.
- Uzávěr palivové nádrže pečlivě dotáhněte, aby nedošlo k požáru.
- Než výrobek spustíte, přejděte s ním minimálně 3 m (10 stop) od místa, kde jste doplňovali palivo.
- Palivovou nádrž nepřepiňte.
- Přesvědčte se, že při pohybu výrobku nebo nádoby na palivo nemůže dojít k úniku.
- Výrobek ani nádobu na palivo neumísťujte do míst s otevřeným ohněm, jiskrami nebo zapalovacím plamínkem. Přesvědčte se, že v oblasti uložení nevyskytuje otevřený plamen.
- Pro přenášení a skladování paliva používejte pouze schválené nádoby.

- Před dlouhodobým uskladněním vyprázdněte palivovou nádrž. Dodržujte místní zákony ohledně likvidace paliva.
- Před dlouhodobým uskladněním výrobek vyčistěte.
- Než výrobek uskladníte, odstraňte kabel zapalovací svíčky, aby motor nahodile nenastartoval.

## Bezpečnostní pokyny pro údržbu



**VÝSTRAHA:** Před prováděním údržby výrobku si přečtěte následující varování.

- Provádějte pouze takové údržbářské a servisní úkony, které jsou uvedené v tomto návodu k používání. Všechny ostatní opravy svěřte profesionálnímu servisu.
- Pravidelně provádějte bezpečnostní kontroly, údržbu a servis podle pokynů uvedených v této příručce. Pravidelná údržba prodlužuje životnost výrobku a snižuje nebezpečí nehod. Viz pokyny v části *Plán údržby na stráni 53*.
- Pokud po provedení údržby nelze potvrdit bezpečnostní kontroly uvedené v této příručce, obraťte se na prodejce poskytujícího servis. Garantujeme, že jsou pro váš výrobek k dispozici profesionální opravy a servis.

## Montáž

### Úvod



**VÝSTRAHA:** Před montáží výrobku je třeba, abyste si přečetli a porozuměli kapitole o bezpečnosti.



**VÝSTRAHA:** Před montáží výrobku sejměte koncovku kabelu zapalovací svíčky ze zapalovací svíčky.

### Montáž držadla ve tvaru „D“

1. Umístěte držadlo ve tvaru "D" mezi šipky na hřídeli.
2. Dotáhněte šroub, abyste nasadili držadlo ve tvaru „D“ na hřídel. (Obr. 22)

### Sestavení sekacího nástavce

#### Sestavení ochrany řezacího nástavce

1. Připevněte ochranu řezacího nástavce (A) na hřídel. (Obr. 23)

2. Umístěte držák (B) do otvoru na ochraně řezacího nástavce.
3. Připevněte šroub (C) do otvorů na držáku a na ochraně řezacího nástavce.

#### Upevnění strunové hlavy

1. Zkontrolujte, zda je ochrana řezacího nástavce (A) připevněna k výrobku. Další informace naleznete v části *Sestavení ochrany řezacího nástavce na stráni 50*. (Obr. 24)
2. Zkontrolujte, zda je hnací kotouč (C) připojen k výstupní hřídeli (D).
3. Zasuňte torx (B) do otvoru tak, aby byla hřídel připojena.
4. Namontujte strunovou hlavu (E) na výstupní hřídel.
5. Otočte strunovou hlavou proti směru hodinových ručiček a dotáhněte ji tak k výstupní hřídeli. (Obr. 25)
6. Vyjměte torx.

# Provoz

## Úvod



**VÝSTRAHA:** Před používáním produktu je třeba, abyste si přečetli a porozuměli kapitole o bezpečnosti.

## Palivo

Tento výrobek je vybaven dvoudobým motorem.



**VAROVÁNÍ:** Používání nesprávného typu paliva může vést k poškození motoru. Používejte směs benzínu a oleje pro dvoudobé motory.

## Předmíchané palivo

- Používejte předmíchané alkylátové palivo Husqvarna dobré kvality. Zajišťují nejlepší výkon výrobku a prodlouží životnost motoru. Toto palivo obsahuje méně škodlivých chemikálií v porovnání s běžným palivem a snižuje množství škodlivých výfukových plynů. Množství zbytků po spálení je s tímto palivem menší a díky tomu jsou součásti motoru čistější.

## Míchání paliva

### Benzín



**VAROVÁNÍ:** Nepoužívejte benzín s oktanovým číslem nižším než 90 RON (87 AKI). Můžete tím výrobek poškodit.



**VAROVÁNÍ:** Nepoužívejte benzín s koncentrací etanolu vyšší než 10 % (E10). Můžete tím výrobek poškodit.

- Vždy používejte bezolovnatý benzín oktanovým číslem minimálně 90 RON (87 AKI) s koncentrací etanolu nižší než 10 % (E10).
- Pokud výrobek používáte často s průběžně vyššími otáčkami motoru, používejte benzín s vyšším oktanovým číslem.

### Olej pro dvoudobé motory

- Nejlepších výsledků dosáhnete s olejem pro dvoudobé motory Husqvarna.
- Není-li k dispozici olej pro dvoudobé motory Husqvarna, použijte kvalitní olej pro dvoudobé motory určený pro vzduchem chlazené motory. Správný olej vám doporučí servisní prodejce.



**VAROVÁNÍ:** Nepoužívejte olej pro dvoudobé motory chlazené vodou (olej

pro lodní motory). Nepoužívejte olej pro čtyřdobé motory.

## Míchání paliva a oleje pro dvoudobé motory

Benzín, l	Olej pro dvoutaktní motory, l
	<b>2 % (50:1)</b>
5	0,10
10	0,20
15	0,30
20	0,40



**VAROVÁNÍ:** Při míchání pouze malého množství paliva hrozí riziko, že malá chyba v poměru významně ovlivní výslednou směs. Pečlivě odměřte množství oleje, který bude přimíchán do paliva, aby bylo zajištěno, že docílíte správného poměru.

(Obr. 26)

- Doplňte polovinu množství benzínu do čisté nádoby na palivo.
- Přidejte celé množství oleje.
- Směs paliva řádně protřepejte.
- Přidejte do nádoby zbývající množství benzínu.
- Směs paliva dobře protřepejte.



**VAROVÁNÍ:** Neskladujte směs paliva déle než 1 měsíc.

## Přidání paliva

- Používejte nádoby na palivo s plnicím hrdlem s ochrannou proti přeplnění.
- Pokud je nějaké palivo na nádobě, odstraňte ho a nechte nádobu uschnout.
- Okolí uzávěru palivové nádrže musí být čisté.
- Než nalijete palivovou směs do palivové nádrže, protřepejte nádobu s palivem.

## Záběh motoru

- Během prvních 10 hodin provozu nepoužívejte plný plyn bez zatížení po dlouhou dobu.

## Zapnutí a vypnutí

### Prohlídka před spuštěním.

1. Zkontrolujte, jestli na výrobku nechybí součásti, nejsou povolené nebo opotřebované.
2. Zkontrolujte, zda jsou šrouby a matice dotažené.
3. Zkontrolujte, zda není poškozená strunová hlava.
4. Zkontrolujte, zda není vzduchový filtr ucpaný.
5. Zkontrolujte, zda nejsou vadná bezpečnostní zařízení výrobku.
6. Zkontrolujte, zda výrobku neuniká palivo.

### Spuštění studeného motoru

1. Stlačte pomocnou palivovou pumpičku desetkrát za sebou. (Obr. 27)
2. Vytáhněte ovládání sytiče nahoru. (Obr. 28)
3. Přitiskněte celý výrobek k zemi levou rukou. (Obr. 29) Na výrobek nešapejte. Lehce táhněte za rukojeť startéru, až pocítíte odpor. Potom za rukojeť startéru zatáhněte silou.

**Povšimněte si:** Při startování motoru nevytahujte spínač plynu.

4. Tahejte za rukojeť startéru, dokud se motor nenastartuje nebo se nepokusí spustit (maximálně 3 zatažení). Pokud motor nastartuje nebo se pokusí rozběhnout, stlačte ovladač sytiče směrem dolů. Tahejte, dokud motor nenastartuje. Po nastartování počkejte 60 sekund a poté vytáhněte spínač plynu.



**VAROVÁNÍ:** Nevytahujte rukojeť startéru až na doraz. Když je lano startéru zcela vytažené, nepouštějte ho. Pouštějte lano startéru pomalu. Pokud tyto pokyny nedodržíte, může dojít k poškození motoru.

### Spuštění teplého motoru

1. Stlačte pomocnou palivovou pumpičku desetkrát za sebou.
2. Zatáhněte za lano startéru, až se motor spustí.

### Spuštění motoru, když je palivo příliš horké

Pokud výrobek nestartuje, může být palivo příliš horké.

**Povšimněte si:** Vždy používejte nové palivo a v teplém počasí zkrátte dobu provozu.

1. Umístěte výrobek na chladné místo chráněné před přímým slunečním světlem.
2. Nechejte výrobek vychladnout minimálně 20 minut.
3. Stiskněte opakovaně pomocnou palivovou pumpičku po dobu 10 až 15 sekund.

4. Postupujte podle pokynů pro spouštění studeného motoru. Další informace naleznete v části *Spuštění studeného motoru na strani 52.*

### Zastavení

- Stisknutím vypínače zapalování vypněte motor. (Obr. 30)

**Povšimněte si:** Vypínač se automaticky vrátí do původní polohy.

### Práce s vyžínací strunou



**VAROVÁNÍ:** Po každém použití zpomalte motor do volnoběžných otáček. Dlouhodobý běh na plný plyn bez zátěže může způsobit poškození motoru.

**Povšimněte si:** Aby nedocházelo k vibracím, vyčistěte po nasazení nové vyžínací struny novou hlavu vyžínáče. Zkontrolujte ostatní součásti hlavy vyžínáče a v případě potřeby je vyčistěte.

### Vyžínání trávy

1. Držte strunovou hlavu těsně nad úrovní terénu a pod úhlem. Netlačte vyžínací strunu do trávy. (Obr. 31)
2. Zkrátte délku vyžínací struny o 10–12 cm (4–4,75 palce).
3. Snižte otáčky motoru, abyste snížili nebezpečí poškození rostlin.
4. Když sečete trávu v blízkosti předmětů, používejte plyn na 80 %. (Obr. 32)

### Sečení trávy

1. Zajistěte, aby při sečení byla vyžínací struna souběžně se zemí. (Obr. 33)
2. Netlačte hlavu vyžínáče k zemi. Mohlo by dojít k poškození podkladu a výrobku.
3. Nedotýkejte se hlavou vyžínáče trvale země, mohlo by dojít k poškození hlavy.
4. Při pohybu výrobkem ze strany na stranu při sečení trávy použijte plný plyn. Zajistěte, aby při sečení byla vyžínací struna souběžně se zemí. (Obr. 34)

### Hlava vyžínáče

- Pro snížení vibrací namotejte vyžínací strunu na buben pevně a rovnoměrně.
- Používejte pouze schválené hlavy vyžínáče a vyžínací struny. Viz *Příslušenství na strani 56.*
- Používejte vyžínací struny správné délky. Příliš dlouhá vyžínací struna potřebuje větší výkon motoru než krátká.
- Dbejte na to, aby nůž na krytu sekacího nástavce nebyl poškozen.

- Před nasazením na výrobek namočte vyžínací strunu na dva dny do vody. Tím se prodlouží životnost vyžínací struny.

## Výměna vyžínací struny

(Obr. 35)  
(Obr. 36)

(Obr. 37)  
(Obr. 38)  
(Obr. 39)  
(Obr. 40)  
(Obr. 41)  
(Obr. 42)

# Údržba

## Úvod



**VÝSTRAHA:** Před prováděním údržby je třeba, abyste si přečetli a porozuměli kapitole o bezpečnosti.

Pro servis a opravy výrobku je nezbytné speciální školení. Garantujeme dostupnost profesionálních oprav a servisu. Pokud neposkytujete prodejce servisní služby, požádejte jej o informace o nejbližším servisu.

## Plán údržby

<:fc 1>Týdenní údržba<:/fc>

- Vyčistěte vnější povrchy.
- Zkontrolujte, zda se řezací nástavec nepohybuje při chodu motoru na volnoběžné otáčky. Další informace naleznete v části *Úprava volnoběžných otáček na strani 53*.
- Zkontrolujte hladinu maziva v úhlové převodovce. Další informace naleznete v části *Přidání maziva na ozubený převod na strani 54*.

### Měsíční údržba

- Zkontrolujte, zda není poškozena rukojeť startéru a startovací šňůra.

### Roční údržba

- Zkontrolujte zapalovací svíčku. Viz část *Kontrola zapalovací svíčky na strani 53*
- Vyčistěte vnější povrch karburátoru a okolních ploch.
- Vyčistěte chladicí systém.
- Zkontrolujte sítko lapače jisker. Další informace naleznete v části *Údržba sítko lapače jisker na strani 53*.
- Zkontrolujte palivový filtr.
- Zkontrolujte, zda není poškozena hadice přívodu paliva.
- Zkontrolujte, zda nejsou vadné elektrické kabely a konektory výrobku.

## Úprava volnoběžných otáček

- Než nastavíte volnoběh, zkontrolujte čistotu vzduchového filtru a to, zda je nasazen kryt vzduchového filtru.
- Pomocí stavěcího šroubu T, který je popsán symbolem T, nastavte volnoběžné otáčky.
- Rychlost volnoběhu je správná tehdy, když má motor klidný chod v každé poloze. Po spuštění sekacího

nástavce musí být volnoběžné otáčky nižší než tyto otáčky.

1. Otáčejte stavěcím šroubem ve směru hodinových ručiček, dokud se řezací nástavec nezačne otáčet. (Obr. 43)
2. Otáčejte stavěcím šroubem proti směru hodinových ručiček, dokud se řezací nástavec nezastaví.

## Údržba sítko lapače jisker

Vyčistěte sítko lapače jisker drátěným kartáčem. (Obr. 44)

## Čištění chladicího systému

Vyčistěte součásti chladicího systému kartáčem. (Obr. 45)

## Kontrola zapalovací svíčky



**VAROVÁNÍ:** Použijte doporučenou zapalovací svíčku. Ujistěte se, že je náhradní díl stejný, jako díl dodaný výrobcem. Nesprávná zapalovací svíčka může výrobek poškodit.

1. Zkontrolujte zapalovací svíčku, když:
  - a) je výkon motoru nízký;
  - b) není snadné motor spustit;
  - c) motor nefunguje správně ve volnoběžných otáčkách.
2. Pokud nelze motor snadno spustit nebo ovládat, zkontrolujte, zda se na zapalovací svíčce nenachází nechtěné materiály. Pro snížení nebezpečí přítomnosti nechtěných materiálů na elektrodách zapalovací svíčky:
  - a) zkontrolujte, zda jsou správně nastaveny volnoběžné otáčky;
  - b) zkontrolujte správnost palivové směsi;
  - c) zkontrolujte, zda je vzduchový filtr čistý.
3. Pokud je zapalovací svíčka znečištěná, vyčistěte ji. Zkontrolujte správnou vzdálenost elektrod. (Obr. 46)
4. V případě potřeby zapalovací svíčku vyměňte.

## Údržba vzduchového filtru

### Čištění vzduchového filtru

1. Odmontujte kryt vzduchového filtru a vzduchový filtr. (Obr. 47)
2. Vyčistěte filtr teplou mýdlovou vodou. Před montáží zkontrolujte, že je vzduchový filtr suchý.
3. Pokud je vzduchový filtr tak znečištěný, že jej nelze vyčistit, vyměňte ho. Poškozený vzduchový filtr vždy vyměňte.
4. Pokud je váš výrobek vybaven pěnovým filtrem, naneste olej na vzduchové filtry. Olej na vzduchové filtry naneste pouze na pěnový filtr. Nenanášejte olej na vzduchové filtry na plstěný filtr.

### Naneseí oleje na vzduchové filtry na vzduchový filtr



**VAROVÁNÍ:** Na pěnové filtry vždy používejte speciální olej na vzduchové filtry. Jiné druhy oleje nepoužívejte.



**VÝSTRAHA:** Zabraňte kontaktu oleje s tělem.

1. Odmontujte kryt vzduchového filtru a vzduchový filtr. (Obr. 48)
2. Vložte vzduchový filtr do plastového sáčku.
3. Nalijte olej na vzduchové filtry do plastového sáčku. (Obr. 49)
4. Plastový sáček zmáčkněte, aby se olej rozprostřel po celém vzduchovém filtru.
5. Když je vzduchový filtr ještě v sáčku, zmáčkněte ho, aby z něj vyšel přebytečný olej. Vydejte vzduchový filtr ze sáčku.
6. Namontujte vzduchový filtr.

### Přidání maziva na ozubený převod

Zkontrolujte, zda je ozubený převod naplněný do 3/4 mazivem.

(Obr. 50)

## Odstraňování problémů

### Motor nespustuje.

Kontrola	Možná příčina	Pracovní postup
Vypínač.	Vypínač je v poloze Stop.	Nastavte vypínač do startovací polohy.
Západky startéru.	Západky startéru se volně nepohybují.	Odmontujte kryt startéru a vyčistěte prostor kolem západek startéru. Obrat'te se na schválený servis.
Palivová nádrž.	Nesprávný typ paliva.	Vypus't'te palivovou nádrž a doplňte správné palivo.
Zapalovací svíčka.	Zapalovací svíčka je znečištěná nebo mokrá.	Ujistěte se, že je zapalovací svíčka suchá a čistá.
	Vzdálenost elektrod zapalovací svíčky je nastavena nesprávně.	Vyčistěte zapalovací svíčku. Zkontrolujte, zda je vzdálenost elektrod správná. Zkontrolujte, zda je zapalovací svíčka vybavena krytem. Správnou vzdálenost elektrod najdete v části s technickými údaji.
	Zapalovací svíčka je povolena.	Dotáhněte zapalovací svíčku.

## Motor startuje, ale znovu se vypíná.

Kontrola	Možná příčina	Pracovní postup
Palivová nádrž	Nesprávný typ paliva.	Vyprázdněte palivovou nádrž a doplňte správné palivo.
Vzduchový filtr	Vzduchový filtr je zanesený.	Vyčistěte vzduchový filtr.

## Přeprava, skladování a likvidace

### Přeprava a skladování

- Před přepravou nebo uskladněním nechte výrobek vychladnout.
- Před dlouhodobým uskladněním vyjměte koncovku kabelu zapalovací svíčky.
- Během přepravy musí být výrobek řádně upevněný. Ujistěte se, že se nepohybuje.
- Zkontrolujte, zda během přepravy nebo skladování nehrozí únik paliva, výparů paliva a zda nejsou přítomny jiskry nebo otevřený oheň.
- Před dlouhodobým uskladněním výrobek vyčistěte a proveďte servis.

## Technické údaje

### Technické údaje

	<b>325L</b> <b>A05328CSHV</b>
<b>Motor</b>	
Zdvihový objem válce, cm <sup>3</sup>	27,6
Volnoběžné otáčky, ot/min	2800 až 3200
Doporučené maximální rychlé otáčky bez zatížení, ot/min	8000
Výkon / max. výkon motoru, dle normy ISO 8893, kW/hp při ot/min	0,9/1,2 při 8000
Tlumič zaběhnutý s katalyzátorem	Ano
Obrátky výchozího hřídele, ot/min	7200
<b>Systém zapalování</b>	
Zapalovací svíčka	Husqvarna HQT-4
Vzdálenost elektrod, mm	0,5
<b>Palivový systém</b>	
Objem palivové nádrže, l/cm <sup>3</sup>	0,343/343
<b>Rozměry produktu</b>	
Hmotnost (bez řezacího zařízení), kg	5,0

	<b>325L</b> <b>A05328CSHV</b>
<b>Emise hluku<sup>10</sup></b>	
Hladina akustického výkonu, zaručená ( $L_{WA}$ ), dB(A)	114
Hladina akustického výkonu, změřená, dB(A)	110
<b>Hladiny hluku<sup>11</sup></b>	
Hladina akustického tlaku v uších uživatele, při použití strunové hlavy, dB(A)	93
<b>Úrovně vibrací<sup>12</sup></b>	
Ekvivalentní hladina vibrací (ahv, eq), při použití strunové hlavy, levá rukojeť, m/s <sup>2</sup>	4,2
Ekvivalentní hladina vibrací (ahv, eq), při použití strunové hlavy, pravá rukojeť, m/s <sup>2</sup>	6.1

---

## Příslušenství

---

### Příslušenství

Schválené příslušenství	Typ	Ochrana řezacího nástavce
Hřídél se závitem	M10L	
Strunová hlava	T35, Ø 2,4 mm	588 54 37-01

<sup>10</sup> Emise hluku v životním prostředí měřené jako akustický výkon ( $L_{WA}$ ) v souladu se směrnicí 2000/14/EU. Uváděná hladina akustického výkonu pro výrobek byla měřena s originálním řezacím nástavcem, který generuje nejvyšší hladinu. Rozdíl mezi garantovaným a měřeným akustickým výkonem je v tom, že garantovaný akustický výkon rovněž zahrnuje rozptyl výsledků měření a rozdíly mezi různými výrobky téhož modelu podle Směrnice 2000/14/ES.

<sup>11</sup> Uváděná data pro ekvivalentní hladinu akustického tlaku pro produkt mají typickou statistickou odchylku (standardní odchylku) 1 dB (A).

<sup>12</sup> Uváděná data pro ekvivalentní hladinu vibrací mají typickou statistickou odchylku (standardní odchylku) 1 m/s<sup>2</sup>.



---

# ES Prohlášení o shodě

---

## Obsah prohlášení o shodě ES

My, společnost Husqvarna AB, SE 561 82 Huskvarna, ŠVÉDSKO, zcela zodpovědně prohlašujeme, že příslušný výrobek:

<b>Popis</b>	<b>Benzinový vyžinač / křovinořez</b>
Značka	Husqvarna
Platforma / typ / model	Platforma A05328CSHV, představující model 325L.
Šarže	Výrobní číslo od roku 2018 a dále.

je zcela ve shodě s následujícími směrnicemi a předpisy EU:

<b>Směrnice/předpis</b>	<b>Popis</b>
2006/42/ES	„o strojních zařízeních“
2014/30/EU	„o elektromagnetické kompatibilitě“
2000/14/ES	„o venkovním hluku“
2011/65/EU	„o omezení používání některých nebezpečných látek“

Platí následující harmonizované normy a/nebo technické specifikace: EN ISO 12100, EN ISO 11806-1, CISPR 12, ISO 14982, EN 50581:2012.

Deklarované úrovně hluku jsou uvedeny v části s technickými údaji této příručky a podepsaném prohlášení o shodě EU ve shodě se směrnicí 2000/14/ES, příloha V.

Společnost TÜV Rheinland N.A. provedla jménem společnosti Husqvarna AB dobrovolnou zkoušku zaručující Certifikát o shodě podle Směrnice 2006/42/ES Evropské rady pro strojní zařízení.

Tento certifikát, který je poskytnut na podepsaném prohlášení o shodě, se vztahuje na všechny výrobní závody a země původu uvedené na produktu.

Dodaný benzinový vyžinač trávy / křovinořez je shodný s exemplářem, který prošel zkouškou.

---

## Indhold

---

Indledning.....	58	Fejlfinding.....	66
Sikkerhed.....	59	Transport, opbevaring og bortskaffelse.....	67
Montering.....	62	Tekniske data.....	67
Drift.....	63	Tilbehør.....	68
Vedligeholdelse.....	65	EU-overensstemmelseserklæring.....	69

---

## Indledning

---

### Brugervejledning

Det oprindelige sprog i denne brugervejledning er engelsk. Brugervejledninger på andre sprog er oversættelser fra engelsk.

### Anvendelsesformål

Produktet bruges med trimmerhoved til at slå græs. Brug ikke produktet til andre opgaver end græstrimming og græsrydning.

### Produktoversigt

(Fig. 1)

1. Trimmerhoved
2. Påfyldningsdæksel til smøremiddel
3. Vinkelgear
4. Beskyttelse til skæreudstyr
5. Aksel
6. Loophåndtag
7. Gasregulering
8. Stopkontakt
9. Gasreguleringslås
10. Tændhætte, tændrør
11. Starterhus
12. Startrebets håndgreb
13. Brændstoftank
14. Luffilterlås
15. Brændstofpumpebold
16. Chokerhåndtag
17. Medbringerhjul
18. Brugsanvisning
19. Stjernegnøgen

### Symboler på produktet

- (Fig. 2) **ADVARSEL!** Dette produkt er farligt. Personskade eller død kan forekomme hos brugeren eller personer i nærheden, hvis produktet ikke anvendes forsigtigt og korrekt. For at undgå, at brugeren eller personer i nærheden kommer til skade, skal

**Bemærk:** National lovgivning kan definere begrænsninger på betjeningen af produktet.

---

- alle sikkerhedsinstruktioner i brugsanvisningen læses og overholdes.
- (Fig. 3) Læs brugsanvisningen omhyggeligt igennem, og sørg for at have forstået instruktionerne, inden du bruger produktet.
- (Fig. 4) Brug godkendt høreværn. Brug godkendt øjenværn.
- (Fig. 5) Produktet kan forårsage, at genstande slynges ud, hvilket kan forårsage personskade.
- (Fig. 6) Maksimalt omdrejningstal for udgående aksel.
- (Fig. 7) Hold en afstand på mindst 15 m/50 fod til personer og dyr under brug af produktet.
- (Fig. 8) Brug kun en fleksibel trimmertråd
- (Fig. 9) Brug ikke skæreelementer af metal
- (Fig. 10) Pilene viser grænserne for håndtagets position.
- (Fig. 11) Brændstofpumpebold.
- (Fig. 12) Choker.
- (Fig. 13) Påfyldning af brændstof.
- (Fig. 14) Støjemissioner til omgivelserne henviser til EF-direktiv. Produktets emission fremgår af kapitlet Tekniske data og af mærkaten.

(Fig. 15) Produktet er i overensstemmelse med gældende EF-direktiver.

(Fig. 16) Produktet er i overensstemmelse med gældende EAC-direktiver.

Typeskiltet viser serienummeret. **yyyy** er produktionsåret, **ww** er produktionsugen og **xxxx** er serienummeret.

yyyywwxxxx

**Bemærk:** Andre symboler/mærkater på produktet henviser til certificeringskrav i andre handelsområder.

## Produktansvar

Som nævnt i produktansvarsbestemmelserne hæfter vi ikke for skader forårsaget af vores produkt, hvis:

- produktet er forkert repareret
- produktet er repareret med dele, der ikke er fra producenten eller ikke er godkendt af producenten
- produktet har tilbehør, der ikke er fra producenten eller ikke er godkendt af producenten.
- produktet ikke er repareret på et godkendt servicecenter eller af en godkendt myndighed.

## EU V



**ADVARSEL:** Ved manipulation af motoren bortfalder EU-typegodkendelsen af dette produkt.

## Sikkerhed

### Sikkerhedsdefinitioner

Advarsler, forholdsregler og bemærkninger bruges til at pege på særligt vigtige dele af brugsanvisningen.



**ADVARSEL:** Bruges, hvis føreren udsætter sig selv eller omkringstående personer for risiko for personskade eller dødsfald ved tilsidesættelse af instruktionerne i brugsanvisningen.



**BEMÆRK:** Bruges, hvis der er risiko for skader på produktet, andre materialer eller det omgivende område ved tilsidesættelse af instruktionerne i brugsanvisningen.

**Bemærk:** Bruges til at give yderligere oplysninger, der er nødvendige i en given situation.

### Vibrationssikkerhed

Dette produkt er kun til lejlighedsvis brug. Vedvarende eller regelmæssig brug af produktet kan forårsage "hvide fingre" eller tilsvarende medicinske problemer på grund af vibrationer. Hold øje med dine hænder og fingre, hvis du betjener produktet vedvarende eller regelmæssigt. Hvis dine hænder eller fingre har misfarvning, gør ondt, snurrer eller er følelsesløse, skal du stoppe arbejdet og tale med en læge med det samme.

### Generelle sikkerhedsinstruktioner



**ADVARSEL:** Læs følgende advarselsinstruktioner, inden du bruger produktet.

- Brug produktet korrekt. Forkert brug kan medføre personskader eller dødsfald. Brug kun produktet til de opgaver, der angives i denne vejledning. Brug ikke produktet til andre opgaver.
- Følg instruktionerne i denne vejledning. Overhold sikkerhedssymboler og sikkerhedsinstruktioner. Hvis operatøren ikke følger vejledningen og symbolerne, kan det medføre personskader, beskadigelse eller dødsfald.
- Smid ikke denne vejledning ud. Brug vejledningen til at samle, betjene og vedligeholde dit produkt. Brug vejledningen til korrekt montering af udstyr og tilbehør. Brug kun godkendt udstyr og tilbehør.
- Brug ikke et beskadiget produkt. Overhold vedligeholdelsesskemaet. Udfør kun det vedligeholdelsesarbejde, du kan finde vejledning til i denne vejledning. Et godkendt servicecenter skal udføre alt andet vedligeholdelsesarbejde.
- Denne vejledning beskriver ikke alle situationer, der kan opstå, når du bruger produktet. Vær forsigtig og brug din sunde fornuft. Du må ikke bruge produktet eller foretage vedligeholdelse på produktet, hvis du ikke er sikker på, hvad du skal gøre. Snak med en produkt ekspert, forhandler, et serviceværksted eller et godkendt servicecenter for at få mere at vide.
- Fjern kablet fra trædrøret, før du samler produktet, sætter produktet til opbevaring eller foretager vedligeholdelse.
- Brug ikke produktet, hvis det er blevet ændret fra den oprindelige specifikation. Du må ikke ændre dele af produktet uden producentens godkendelse. Brug kun dele, der er godkendt af producenten. Forkert vedligeholdelse kan medføre personskader eller dødsfald.
- Indånd ikke dampe fra motoren. Langvarig indånding af motorens udstødningsgasser er sundhedsskadelig.

- Start ikke produktet indendørs eller i nærheden af brandfarligt materiale. Udstødningsgasserne er varme og kan indeholde gnister, der kan starte en brand. Utilstrækkelig luftstrøm kan forårsage personskader eller dødsfald på grund af kvælning eller kulilte.
- Motoren danner et elektromagnetisk felt, når du bruger dette produkt. Det elektromagnetiske felt kan beskadige medicinske implantater. Tal med din læge og producenten af det medicinske implantat, før du betjener produktet.
- Lad ikke børn betjene produktet. Lad ikke en person uden kendskab til vejledningen betjene produktet.
- Sørg for at overvåge personer med nedsat fysisk eller mental kapacitet, der bruger produktet. En voksen skal være til stede hele tiden.
- Lås produktet inde i områder, hvor børn og uautoriserede personer ikke kan få adgang.
- Produktet kan slynge genstande ud og forårsage skader. Overhold sikkerhedsinstruktionerne for at mindske risikoen for personskader eller dødsfald.
- Du må ikke gå væk fra produktet, når motoren er tændt.
- Brugeren af produktet er ansvarlig, hvis der sker et uheld.
- Sørg for, at delene ikke er beskadigede, før du bruger produktet.
- Sørg for, at du som minimum er 15 m væk fra andre personer eller dyr, før du bruger produktet. Sørg for, at personer i det nærliggende område ved, at du bruger produktet.
- Overhold nationale eller lokale love. Visse love kan forhindre eller mindske brugen af produktet under nogle forhold.
- Brug ikke produktet, hvis du er træt eller påvirket af alkohol, narkotika eller medicin. Det kan påvirke dit syn, din opmærksomhed, din koordination eller din dømmekraft.

## Sikkerhedsinstruktioner til montering



**ADVARSEL:** Læs følgende advarselsinstruktioner, inden du bruger produktet.

- Fjern tændrørshatten fra tændrøret inden samling af produktet.
- Brug godkendte beskyttelseshandsker.
- Sørg for at samle dækslet og akslen korrekt før start af motoren.

## Sikkerhedsinstruktioner for drift

- Sørg for, at produktet er helt samlet, før du bruger det.
- Før du begynder, skal du flytte produkter 3 m væk fra den position, hvor du påfyldte brændstoffranken.

Anbring produktet på en plan overflade. Sørg for, at skæreudstyret ikke rører jorden eller andre objekter.

- Produktet kan forårsage, at genstande slynges ud, hvilket kan forårsage skader på øjnene. Anvend altid godkendt øjenværn, når du betjener produktet.
- Vær opmærksom på, at børn kan komme i nærheden af produktet, uden at du ved det, når du betjener produktet.
- Betjen ikke produktet, hvis der er personer i arbejdsområdet. Stop produktet, hvis en person går ind i arbejdsområdet.
- Sørg for, at du altid har kontrol over produktet.
- Brug ikke produktet, hvis du ikke kan få hjælp i tilfælde af en ulykke. Sørg altid for, at andre ved, at du betjener produktet, før du begynder at bruge det.
- Drej ikke med produktet, før du sikrer dig, at ingen mennesker eller dyr er i sikkerhedsområdet.
- Fjern alle uønskede materialer fra arbejdsområdet, før du går i gang. Hvis skæreudstyret rammer en genstand, kan genstanden slynges af sted og forårsage skader. Uønsket materiale kan vikle sig rundt om skæreudstyret og forårsage skader.
- Brug ikke produktet i dårligt vejr (tåge, regn, hård vind, risiko for lynnedslag eller andre vejrforhold). Farlige situationer (f.eks. glatte overflader) kan forekomme på grund af dårligt vejr.
- Sørg for, at du kan bevæge sig frit og arbejde i en stabil stilling

(Fig. 17)

- Sørg for, at du ikke kan falde, når du bruger produktet. Stå ikke skråt, når du bruger produktet.
- Hold altid produktet med to hænder. Hold produktet på højre side af kroppen.

(Fig. 18)

- Betjen produktet med skæreudstyret under bæltetestet.
- Hvis chokerhåndtaget er i chokerpositionen, når motoren starter, begynder skæreudstyret at dreje.
- Rør ikke vinkelgearet, når motoren stopper. Vinkelgearet er varmt, når motoren stopper. Varme områder kan forårsage skader.
- Stop motoren, før du flytter produktet.
- Sæt ikke produktet ned, mens motoren er tændt.
- Før du fjerner uønsket materiale fra produktet, skal du stoppe motoren og vente, indtil skæreudstyret standser. Sørg for, at skæreudstyret er stoppet, før du eller en hjælper fjerner det afskårne materiale.

## Personligt beskyttelsesudstyr



**ADVARSEL:** Læs følgende advarselsinstruktioner, inden du bruger produktet.

- Brug altid korrekt personligt beskyttelsesudstyr, når du bruger produktet. Personligt beskyttelsesudstyr fjerner ikke risikoen for skader. Personligt beskyttelsesudstyr mindsker eventuelle skader, hvis der sker et uheld.

- Anvend altid godkendt øjenværn, når du betjener produktet.
- Du må ikke betjene produktet med bare fødder eller åbne sko. Brug altid kraftige, skridsikre støvler.
- Brug kraftige, lange bukser.
- Hvis det er nødvendigt, skal du bruge godkendte beskyttelseshandsker.
- Brug en hjelm, hvis der er risiko for, at genstande kan falde ned på dit hoved.
- Brug altid godkendt høreværn, når du bruger produktet. Støj over længere perioder kan forårsage støjbetinget høretab.
- Sørg for, at du har en førstehjælpskasse i nærheden.

## Sikkerhedsanordninger på produktet



**ADVARSEL:** Læs følgende advarselsinstruktioner, inden du bruger produktet.

- Brug ikke et produkt med defekte sikkerhedsanordninger.
- Kontrollér sikkerhedsanordningerne regelmæssigt. Se *Produktoversigt på side 58*.
- Hvis sikkerhedsanordningerne er defekte, skal du henvende dig til din Husqvarna-serviceforhandler.

## Gasreguleringslås

Gasreguleringslåsen låser gasreguleringen. (Fig. 19)

Skub gasreguleringslåsen (A) for at frigøre gasreguleringen (B). Når du slipper håndtaget, går gasreguleringslåsen og gasreguleringen tilbage til deres oprindelige positioner.

1. Sørg for, at gasreguleringen (B) er låst i tomgang, når du slipper gasreguleringslåsen (A).
2. Skub gasreguleringslåsen (A), og sørg for, at den går tilbage til dens oprindelige position, når du slipper den.
3. Tryk på gasreguleringen (B), og sørg for, at den går tilbage til dens oprindelige position, når du slipper den.

Start motoren og giv fuld gas. Slip gasreguleringen, og undersøg, om skæreudstyret stopper. Hvis skæreudstyret roterer, mens gasreguleringen er i tomgang, skal du undersøge tomgangsjusteringsskruen på karburatoren.

## Stopkontakt

Start motoren. Sørg for, at motoren stopper, når stopkontakten sættes i stopposition.

(Fig. 20)

## Beskyttelse til skæreudstyr

Beskyttelsen til skæreudstyret forhindrer, at løse genstande slynges ud i retning af brugeren.

(Fig. 21)

Undersøg beskyttelsen til skæreudstyret for skader, og udskift den, hvis den er beskadiget. Brug kun godkendt beskyttelse til skæreudstyret.

## Lyddæmper

- Brug ikke motoren med en defekt lyddæmper. En defekt lyddæmper øger støjniveauet og risikoen for brand. Hav en brandslukker i nærheden.
- Undersøg regelmæssigt, om lyddæmperen er fastgjort til produktet.
- Rør ikke ved motoren eller lyddæmperen, når motoren er tændt. Rør ikke ved motoren eller lyddæmperen et stykke tid, efter at motoren stopper. Varme overflader kan medføre personskader.
- En varm lyddæmper kan forårsage brand. Vær forsigtig, hvis du bruger produktet i nærheden af brændbare væsker eller gasser.
- Rør ikke delene i lyddæmperen, hvis lyddæmperen er beskadiget. Delene kan indeholde visse kræftfremkaldende kemikalier.

## Skæreudstyr



**ADVARSEL:** Læs følgende advarselsinstruktioner, inden du bruger produktet.

- Foretag regelmæssig vedligeholdelse. Lad et godkendt servicecenter regelmæssigt undersøge skæreudstyret og udføre justeringer eller reparationer.
  - Skæreudstyrets ydeevne øges.
  - Skæreudstyrets levetid øges.
  - Risikoen for ulykker mindskes.
- Brug kun godkendt beskyttelse til skæreudstyret. For yderligere oplysninger henvises til *Tilbehør på side 68*.
- Brug ikke beskadiget skæreudstyr.

## Brændstofsikkerhed



**ADVARSEL:** Læs følgende advarselsinstruktioner, inden du bruger produktet.

- Bland ikke brændstof indendørs eller i nærheden af en varmekilde.
- Start ikke produktet, hvis der er brændstof eller motorolie på produktet. Fjern uønsket brændstof/olie og lad produktet tørre. Fjern uønsket brændstof fra produktet.
- Hvis du får brændstof på dit tøj, skal du skifte tøj med det samme.
- Undgå at få brændstof på kroppen, da det kan forårsage personskader. Hvis du får brændstof på kroppen, skal du bruge sæbe og vand til at fjerne brændstoffet.

- Start ikke motoren, hvis du får olie eller brændstof på produktet eller på din krop.
- Start ikke produktet, hvis motoren lækker. Undersøg regelmæssigt motoren for lækager.
- Vær forsigtig med brændstof. Brændstof er letantændeligt og dampe er eksplosive og kan medføre personskader eller dødsfald.
- Undgå at indånde brændstoffdampene, da det kan forårsage personskader. Sørg for, at der er tilstrækkelig luftstrøm.
- Ryg ikke i nærheden af brændstof eller motor.
- Anbring ikke varme genstande i nærheden af brændstof eller motor.
- Fyld ikke brændstof på, når motoren er tændt.
- Sørg for, at motoren er afkølet, inden du fylder brændstof på.
- Før du fylder brændstof på, skal du åbne brændstofftankens dæksel langsomt og forsigtigt udløse trykket.
- Fyld ikke brændstof på motoren i et indendørs område. Utilstrækkelig med luftstrøm kan forårsage personskader eller dødsfald på grund af kvælning eller kullite.
- Spænd dækslet på brændstofftanken omhyggeligt, ellers kan der opstå brand.
- Flyt produktet minimum 3 m fra det sted, hvor du fyldte tanken, før du starter det.
- Fyld ikke for meget brændstof i brændstofftanken.
- Sørg for, at der ikke er lækager, når du flytter produktet eller brændstoffdunken.
- Anbring ikke produktet eller en brændstoffdunk på steder med åben ild, gnister eller tændflammer. Sørg for, at der ikke er åben ild i opbevaringsområdet.

- Brug kun godkendte tanke, når du flytter brændstoffet eller sætter det til opbevaring.
- Tøm brændstofftanken før langtidsoopbevaring. Overhold lokal lovgivning om bortskaffelse af brændstof.
- Rengør produktet før langtidsoopbevaring.
- Fjern kablet fra tændrøret inden opbevaring for at sikre, at motoren ikke starter utilsigtet.

## Sikkerhedsinstruktioner for vedligeholdelse



**ADVARSEL:** Læs følgende advarselsinstruktioner, inden du udfører vedligeholdelse på produktet.

- Udfør kun den form for vedligeholdelses- og servicearbejde, der angives i denne brugervejledning. Lad et professionelt serviceværksted foretage al anden vedligeholdelse og reparation.
- Foretag regelmæssigt den sikkerhedskontrol, vedligeholdelse og service, der er angivet i denne brugsanvisning. Regelmæssig vedligeholdelse øger produktets levetid og mindsker risikoen for ulykker. Se *Vedligeholdelsesskema på side 65* for yderligere vejledning.
- Hvis sikkerhedskontrolerne i denne brugsanvisning ikke kan godkendes, efter at du har udført vedligeholdelse, skal du kontakte en serviceforhandler. Vi garanterer, at der er professionelle reparationer og vedligeholdelse til rådighed for dit produkt.

## Montering

### Indledning



**ADVARSEL:** Inden brug af produktet skal du læse og forstå kapitlet om sikkerhed.



**ADVARSEL:** Fjern tændrørskablet fra tændrøret inden samling af produktet.

### Sådan monterer du loophåndtaget

1. Sæt loophåndtaget mellem pilene på skaftet.
2. Spænd boltene for at fastgøre loophåndtaget på akslen. (Fig. 22)

### Sådan samler du skæreudstyret

#### Sådan samler du beskyttelsen til skæreudstyret

1. Sæt beskyttelsen til skæreudstyret (A) på akslen. (Fig. 23)
2. Sæt beslaget (B) i rillen på beskyttelsen til skæreudstyret.
3. Fastgør boltene (C) til beslaget gennem hullet til beskyttelsen til skæreudstyret.

#### Sådan fastgøres trimmerhovedet

1. Sørg for, at beskyttelsen til skæreudstyret (A) er fastgjort til produktet. Se *Sådan samler du beskyttelsen til skæreudstyret på side 62*. (Fig. 24)
2. Sørg for, at medbringerhjulet (C) sidder på udgangsakslen (D).
3. Sæt stjernenøglen (B) ind i hullet, så akslen låses.
4. Sæt trimmerhovedet (E) på den udgående aksel.

5. Drej trimmerhovedet mod uret for at fastgøre den til udgangsakslen. (Fig. 25)

6. Fjern stjernegenlen.

## Drift

### Indledning



**ADVARSEL:** Før du bruger produktet, skal du læse og forstå kapitlet om sikkerhed.

### Brændstof

Dette produkt har en totaktsmotor.



**BEMÆRK:** Forkert brændstof kan medføre beskadigelse af motoren. Brug en blanding af benzin og totaktsolie.

### Forblandet brændstof

- Brug forblandet Husqvarna-alkylatbenzin af god kvalitet – det giver det bedste resultat og forlænger af motorens levetid. Dette brændstof indeholder færre skadelige kemikalier sammenlignet med almindeligt brændstof, hvilket reducerer skadelige udstødningsgasser. Mængden af rester efter forbrændingen er lavere med dette brændstof, som holder komponenterne i motoren mere rene.

### Sådan blandes brændstof

#### Benzin



**BEMÆRK:** Brug ikke benzin med et oktantal mindre end 90 RON (87 AKI). Det kan forårsage skader på produktet.



**BEMÆRK:** Brug ikke benzin med en ethanolkoncentration på mere end 10 % (E10). Det kan forårsage skader på produktet.

- Brug altid ny blyfri benzin med et oktantal på minimum 90 RON (87 AKI) og med en ethanolkoncentration på mindre end 10 % (E10).
- Brug aldrig benzin med højere oktantal, hvis du ofte bruger produktet ved et konstant højt motoromdrejningstal.

#### Totaktsolie

- De bedste resultater opnås ved anvendelse af Husqvarna-totaktsolie.
- Hvis du ikke kan få fat i Husqvarna-totaktsolie, kan du også bruge en anden totaktsolie af høj kvalitet, som er beregnet til luftkølede motorer. Tal med din serviceforhandler om valg af den korrekte olie.



**BEMÆRK:** Brug aldrig totaktsolie til vandafkølede udenbordsmotorer, såkaldt outboardoil. Brug ikke olie beregnet til firetaktsmotorer.

### Sådan blandes benzin og totaktsolie

Benzin, liter	Totaktsolie, liter
	<b>2 % (50:1)</b>
5	0,10
10	0,20
15	0,30
20	0,40



**BEMÆRK:** Små fejl kan påvirke forholdet i blandingen drastisk, hvis du blander små mængder brændstof. Mål omhyggeligt mængden af olie, og sørg for, at du får den rigtige blanding.

(Fig. 26)

1. Fyld halvdelen af mængden af benzin i en ren beholder til brændstof.
2. Tilføj al olien.
3. Ryst brændstofblandingen.
4. Hæld den resterende mængde over i beholderen.
5. Ryst brændstofblandingen omhyggeligt.



**BEMÆRK:** Bland ikke brændstof til mere end 1 måned ad gangen.

### Sådan påfylder du brændstof

- Brug altid en brændstofdunk med overløbssikring.
- Hvis der er brændstof på dunken, skal du fjerne det uønskede brændstof og lade dunken tørre.
- Sørg for, at området i nærheden af brændstofdækslet er rent.
- Ryst brændstofdunken, før du fylder brændstofblandingen i brændstoftanken.

### Sådan køres produktet til

- I løbet af de første 10 timers drift må du ikke køre med fuld gas uden belastning i længere tid.

## Sådan starter og stopper du

### Følgende undersøges før start

1. Sørg for, at produktet ikke har nogen manglende, beskadigede, løse eller slidte dele.
2. Sørg for, at møtrikker, skruer og bolte er strammede.
3. Sørg for, at trimmerhovedet ikke er beskadiget.
4. Sørg for, at luftfilteret ikke er tilstoppet.
5. Sørg for, at sikkerhedsanordningerne på produktet ikke er defekte.
6. Sørg for, at produktet ikke har nogen brændstoftækager.

### Sådan starter du en kold motor

1. Tryk på brændstofpumpebolden 10 gange. (Fig. 27)
2. Træk chokerhåndtaget op. (Fig. 28)
3. Hold hoveddelen af produktet på jorden med venstre hånd. (Fig. 29) Træk ikke på produktet. Træk langsomt i startsnorens håndtag, indtil du mærker modstand. Træk derefter kraftigt i startrebets håndtag.

**Bemærk:** Træk ikke i gasreguleringen, mens du starter motoren.

4. Fortsæt med at trække i startrebets håndtag, indtil motoren starter eller forsøger at starte (maks. 3 træk). Hvis motoren starter eller forsøger at starte, skal du skubbe chokerhåndtaget ned. Fortsæt med at trække, indtil motoren starter. Vent 60 sekunder efter en start, før du trækker i gasreguleringen.



**BEMÆRK:** Træk ikke i startrebet, indtil det stopper. Slip ikke startrebet, når det er trukket helt ud. Slip startsnoren langsomt. Hvis disse instruktioner ikke følges, kan motoren tage skade.

### Sådan starter du en varm motor

1. Tryk på brændstofpumpebolden 10 gange.
2. Træk i startrebet, indtil motoren starter.

### Sådan startes motoren, når brændstoffet er for varmt

Hvis produktet ikke starter, kan brændstoffet være for varmt.

**Bemærk:** Brug altid nyt brændstof, og brug produktet i mindre tid i varmt vejr.

1. Sæt produktet et køligt sted i skyggen.
2. Lad det køle af i mindst 20 minutter.
3. Tryk på brændstofpumpebolden igen og igen i 10-15 sekunder.
4. Følg proceduren for start af kold motor. Se *Sådan starter du en kold motor på side 64*.

### Sådan stopper du:

- Tryk på stopkontakten for at standse motoren. (Fig. 30)

**Bemærk:** Stopkontakten vender automatisk tilbage til dens oprindelige position.

### Sådan betjener du græstrimmeren



**BEMÆRK:** Sørg for, at du sænker motoren til tomgangshastighed, hver gang du har brugt den. En længere periode med fuld gas uden belastning på motoren kan medføre skader på motoren.

**Bemærk:** Rengør dækslet på trimmerhovedet, når du fastgør en ny trimmertråd for at undgå vibrationer. Undersøge andre dele af trimmerhovedet, og rengør det, hvis det er nødvendigt.

### Sådan trimmes græsset

1. Hold trimmerhovedet lige over jorden, og hold det i vinkel. Tryk ikke trimmertråden ned i græsset. (Fig. 31)
2. Reducer længden af trimmertråden med 10-12 cm/ 4-4,75 tommer.
3. Reducer motorhastigheden for at mindske risikoen for skader på planterne.
4. Brug 80 % gas, når du klipper græs nær genstande. (Fig. 32)

### Sådan klippes græsset

1. Sørg for, at græstrimmertråden er parallel med underlaget, når du klipper. (Fig. 33)
2. Skub ikke trimmerhovedet ned mod jorden. Jorden og produktet kan blive beskadiget.
3. Lad ikke trimmerhovedet røre jorden konstant, da det kan beskadige trimmerhovedet.
4. Brug fuld gas, når du flytter produktet fra side til side for at klippe græs. Sørg for, at græstrimmertråden er parallelt med jorden. (Fig. 34)

### Græstrimmerhoved

- Sørg for, at du vikler græstrimmertråden stramt og jævnt rundt om tromlen for at mindske vibrationer.
- Brug kun godkendte græstrimmerhoveder og græstrimmertråde. Se *Tilbehør på side 68*.
- Brug korrekt længde græstrimmertråd. En lang græstrimmertråd bruger mere motorkraft end en kort græstrimmertråd.
- Sørg for, at kniven på beskyttelsen til skæreudstyret ikke er beskadiget.
- Læg græstrimmertråden i vand i 2 dage, før du fastgør græstrimmertråden til produktet. Dette øger græstrimmertrådens levetid.



## Sådan udskifter du trimmertråden

(Fig. 35)  
(Fig. 36)  
(Fig. 37)  
(Fig. 38)

(Fig. 39)  
(Fig. 40)  
(Fig. 41)  
(Fig. 42)

# Vedligeholdelse

## Indledning



**ADVARSEL:** Inden der foretages vedligeholdelse, skal du læse og forstå kapitlet om sikkerhed.

Alt service- og reparationsarbejde på produktet kræver specialuddannelse. Vi garanterer faglig korrekt reparation og service. Hvis forhandleren ikke er et serviceværksted, kan vedkommende oplyse om nærmeste serviceværksted.

## Vedligeholdelsesskema

### Ugentligt eftersyn

- Rengør de udvendige overflader.
- Sørg for, at skæreudstyret ikke bevæger sig i tomgang. Se *Sådan justerer du tomgangshastigheden på side 65*.
- Undersøg niveauet af fedt i vinkelgearet. Se *Sådan påfører du fedt på vinkelgearet på side 66*.

### Månedligt eftersyn

- Sørg for, at startsnorens håndgreb og startsnoren ikke er beskadiget.

### Årlig vedligeholdelse

- Undersøg tændrøret. Se *Sådan undersøger du tændrøret på side 65*
- Rengør de udvendige overflader på karburatoren og dens tilstødende områder.
- Rengør kølesystemet.
- Undersøg gnistfangerskærmen. Se *Sådan foretager du vedligeholdelse på gnistfangerskærmen på side 65*.
- Undersøg brændstoffilteret.
- Sørg for, at brændstofslangen ikke er beskadiget.
- Sørg for, at kabler og forbindelser på produktet ikke er beskadigede.

## Sådan justerer du tomgangshastigheden

- Sørg for, at luftfilteret er rent og at luftfilterdækslet er fastgjort, før du justerer tomgangshastigheden.
- Juster tomgangshastigheden med den ledige justerskrue T, som er markeret med et "T".
- Tomgangshastigheden er korrekt, når motoren kører jævnt i alle positioner. Tomgangshastigheden skal være under den hastighed, hvor skæreudstyret begynder at rotere.

1. Drej tomgangsjusteringsskruen med uret, indtil skæreudstyret begynder at rotere. (Fig. 43)
2. Drej tomgangsjusteringsskruen mod uret, indtil skæreudstyret stopper.

## Sådan foretager du vedligeholdelse på gnistfangerskærmen

Brug en stålborste til at rengøre gnistfangerskærmen. (Fig. 44)

## Sådan renser du kølesystemet

Rens delene i kølesystemet med en børste.

(Fig. 45)

## Sådan undersøger du tændrøret



**BEMÆRK:** Brug det anbefalede tændrør. Sørg for, at reservedelen er den samme som den vare, der leveres af producenten. Et forkert tændrør kan medføre skader på produktet.

1. Undersøg tændrøret hvis:
  - a) motorens effekt er lav.
  - b) motoren ikke er nem at starte.
  - c) motoren ikke fungerer korrekt i tomgangshastighed.
2. Hvis motoren ikke er nem at starte og køre, skal du undersøge tændrøret for uønskede materialer. Sådan mindsker du risikoen for uønsket materiale på tændrørets elektroder:
  - a) sørg for, at tomgangshastigheden er indstillet korrekt.
  - b) sørg for, at brændstofblandingen er korrekt.
  - c) sørg for, at luftfilteret er rent.
3. Rengør tændrøret, hvis det er snavset. Kontroller, at elektrodeafstanden er korrekt. (Fig. 46)
4. Udskift tændrøret, når det er nødvendigt.

## Sådan foretager du vedligeholdelse af luftfiltret

### Rengøring af luftfilteret

1. Fjern luftfilterdækslet og luftfiltret. (Fig. 47)
2. Rens luftfilteret med varmt sæbevand. Sørg for, at luftfilteret er tørt, før du sætter det i igen.

3. Udskift luftfilteret, hvis det er for beskidt til at rengøres helt. Udskift altid et beskadiget luftfilter.
4. Hvis produktet har et skumluftfilter, skal du påføre luftfilterolie. Anvend kun luftfilterolie til et skumfilter. Anvend ikke olie i et filtfilter.

### Sådan påfører du luftfilterolie i et luftfilter



**BEMÆRK:** Brug altid særlig luftfilterolie til skumluftfiltre. Brug ikke andre typer olie.



**ADVARSEL:** Undgå at få olie på din krop.

1. Fjern luftfilterdækslet og luftfilteret. (Fig. 48)

2. Anbring luftfilteret i en plastpose.
3. Anbring luftfilterolien i plastposen. (Fig. 49)
4. Skub til plastposen for at sikre, at olien er påført jævnt på luftfilteret.
5. Tryk på luftfilteret, mens det er i posen, for at fjerne luftfilterolie, der ikke skal bruges. Tag luftfilteret ud af posen.
6. Sæt luftfilteret i.

### Sådan påfører du fedt på vinkelgearet

Sørg for, at vinkelgearet er fyldt 3/4 op med vinkelgearfedt.

(Fig. 50)

## Fejlfinding

### Motoren starter ikke

Kontrollér	Mulig årsag	Fremgangsmåde
Stopkontakt.	Stopkontakten er placeret i stoppositionen.	Sæt stopkontakten i startstilling.
Starthager.	Starthagerne kan ikke bevæge sig frit.	Fjern starterdækslet, og rens rundt om starthagerne. Lad et godkendt serviceværksted hjælpe dig.
Brændstoftank.	Forkert brændstoftype.	Tøm brændstoftanken, og påfyld det rigtige brændstof.
Tændrør.	Tændrøret er snavset eller vådt.	Sørg for, at tændrøret er tørt og rent.
	Tændrørets elektrodeafstand er forkert.	Rens tændrøret. Sørg for, at elektrodeafstanden er korrekt. Sørg for, at tændrøret har en støjdempningsenhed.
	Tændrøret er løst.	Spænd tændrøret.

### Motoren starter, men stopper igen

Kontrollér	Mulig årsag	Fremgangsmåde
Brændstoftank	Forkert brændstoftype.	Tøm brændstoftanken, og påfyld det rigtige brændstof.
Luftfilter	Luftfilteret er tilstoppet.	Rens luftfilteret.

# Transport, opbevaring og bortskaffelse

## Transport og opbevaring

- Lad produktet køle af før transport og opbevaring.
- Fjern tændhætten før langtidsopbevaring.
- Fastspænd produktet under transporten. Sørg for, at det ikke kan rykke sig.

- Sørg for, at der ikke er risiko for brændstofudsvivning, brændstoffdampe, gnister og åben ild under transport og opbevaring.
- Rens og udfør service på produktet inden langtidsopbevaring.

## Tekniske data

### Tekniske data

	<b>325L</b> <b>A05328CSHV</b>
<b>Motor</b>	
Cylindervolumen, cm <sup>3</sup>	27,6
Omdrejningstal i tomgang, o/min.	2800-3200
Anbefalet maks. hastighed, o/min.	8000
Strøm/maks. motoreffekt iht. ISO 8893, kW/ o/min	0,9/1,2 ved 8000
Lyddæmper med katalysator	Ja
Omdrejningstal på udgående aksel, o/min	7200
<b>Tændingssystem</b>	
Tændrør	Husqvarna HQT-4
Elektrodeafstand, mm	0,5
<b>Brændstofsysteem</b>	
Brændstoftankens kapacitet, l/cm <sup>3</sup>	0,343/343
<b>Produkt mål</b>	
Vægt (uden skæreudstyr), kg	5,0
<b>Støjemissioner<sup>13</sup></b>	
Lydeffektniveau, garanteret (L <sub>WA</sub> ), dB(A)	114
Lydeffektniveau, målt, dB(A)	110
<b>Lydniveauer<sup>14</sup></b>	
Lydtryksniveau ved operatørens øre, udstyret med trimmerhoved, dB (A)	93

<sup>13</sup> Emission af støj til omgivelserne målt som lydeffekt (L<sub>WA</sub>) i henhold til EF-direktiv 2000/14/EF. Rapporteret lydeffektniveau for produktet er målt med det originale skæreudstyr, der giver det højeste niveau. Forskellen mellem garanteret og målt lydeffekt er, at den garanterede lydeffekt også omfatter spredning i måleresultatet og variationerne mellem forskellige produkter af samme model i henhold til direktivet 2000/14/EF.

<sup>14</sup> Rapporterede data for ækvivalent lydtryksniveau for produktet har en typisk statistisk spredning (standardafvigelse) på 1 dB(A).

	<b>325L</b> <b>A05328CSHV</b>
<b>Vibrationsniveauer<sup>15</sup></b>	
Ækvivalent vibrationsniveau (ahv, eq), udstyret med trimmerhoved, venstre håndtag, m/s <sup>2</sup>	4,2
Ækvivalent vibrationsniveau (ahv, eq), udstyret med trimmerhoved, højre håndtag, m/s <sup>2</sup>	6,1

---

## Tilbehør

---

### Tilbehør

Godkendt tilbehør	Type	Beskyttelse til skæreudstyr
Gevindstykke	M10L	
Trimmerhoved	T35, Ø 2,4 mm	588 54 37-01

<sup>15</sup> Rapporterede data for ækvivalent vibrationsniveau har en typisk statistisk spredning (standardafvigelse) på 1 m/s<sup>2</sup>.

---

## EU-overensstemmelseserklæring

---

### Indhold i EF-overensstemmelseserklæring

Vi, Husqvarna AB, SE 561 82 Huskvarna, SVERIGE, erklærer under eget ansvar, at det repræsenterede produkt:

<b>Beskrivelse</b>	<b>Benzingræstrimmer/ buskrydder</b>
Mærke	Husqvarna
Platform / type / model	PlatformA05328CSHV, repræsenterer model 325L.
Batch	Serienumre fra 2018 og fremefter.

overholder følgende EU-direktiver og bestemmelser:

Direktiv/bestemmelser	Beskrivelse
2006/42/EF	"angående maskiner"
2014/30/EU	"angående elektromagnetisk kompatibilitet"
2000/14/EF	"vedrørende udendørs støj"
2011/65/EU	"begrænsning af anvendelsen af visse farlige stoffer"

Harmoniserede standarder og/eller tekniske specifikationer anvendt er som følger: EN ISO 12100, EN ISO 11806-1, CISPR 12, ISO 14982, EN 50581:2012.

I overensstemmelse med direktiv 2000/14/EF, bilag V, er de erklærede lydverdier angivet i afsnittet om tekniske data i denne manual og i den underskrevne EF-overensstemmelseserklæring.

TÜV Rheinland N.A. har udført en frivillig afprøvning på vegne af Husqvarna AB med opnåelse af overensstemmelsesattest iht. Rådets maskindirektiv 2006/42/EF.

Certifikatet, som findes i den underskrevne EF-overensstemmelseserklæring, gælder for alle produktionssteder og oprindelseslande, som angivet på produktet.

Den leverede benzingræstrimmer/buskrydder stemmer overens med det eksemplar, der har gennemgået afprøvningen.

---

# Inhalt

---

Einleitung.....	70	Fehlersuche.....	79
Sicherheit.....	71	Transport, Lagerung und Entsorgung.....	80
Montage.....	75	Technische Daten.....	80
Betrieb.....	75	Zubehör.....	81
Wartung.....	78	EG-Konformitätserklärung.....	82

---

## Einleitung

---

### Bedienungsanleitung

Die Ausgangssprache dieser Betriebsanleitung ist Englisch. Bedienungsanleitungen in anderen Sprachen sind Übersetzungen aus dem Englischen.

nicht für andere Zwecke als Grastrimmen und Grasfreischneiden.

**Hinweis:** Der Betrieb des Geräts kann durch nationale Vorschriften eingeschränkt werden.

---

### Verwendungszweck

Das Gerät wird mit einem Trimmerkopf zum Grasschneiden verwendet. Verwenden Sie das Gerät

### Produktübersicht

(Abb. 1)

1. Trimmerkopf
2. Einfüllöffnung für Fett
3. Winkelgetriebe
4. Schutz für die Schneidaustrüstung
5. Führungsrohr
6. Loophandgriff
7. Gashebel
8. Stoppschalter
9. Gashebelsperre
10. Zündkappe, Zündkerze
11. Startvorrichtungsgehäuse
12. Startseilgriff
13. Kraftstofftank
14. Luftfilterdeckel
15. Kraftstoffpumpe
16. Choke-Hebel
17. Mitnehmer
18. Bedienungsanleitung
19. Sternschlüssel

und befolgen Sie alle Sicherheitshinweise in der Bedienungsanleitung.

(Abb. 3) Lesen Sie die Bedienungsanleitung sorgfältig durch und machen Sie sich vor der Benutzung mit dem Inhalt vertraut.

(Abb. 4) Tragen Sie einen zugelassenen Gehörschutz. Tragen Sie einen zugelassenen Augenschutz.

(Abb. 5) Das Produkt kann Objekte umherschleudern und Augenverletzungen verursachen.

(Abb. 6) Maximale Drehzahl der Abtriebswelle.

(Abb. 7) Halten Sie während des Betriebs des Gerätes einen Mindestabstand von 15 m zu Personen oder Tieren ein.

(Abb. 8) Verwenden Sie nur flexible Trimmerfäden

(Abb. 9) Verwenden Sie keine Schneidwerkaustrüstungen aus Metall.

(Abb. 10) Die Pfeile zeigen die Grenzwerte für die Position des Griffs.

(Abb. 11) Kraftstoffpumpe

(Abb. 12) Choke.

(Abb. 13) Tanken.

(Abb. 14) Umweltbelastende Geräuschemissionen gemäß der entsprechenden Richtlinie der Europäischen Gemeinschaft. Die Emission des Produkts ist im Abschnitt „Technische

### Symbole auf dem Produkt

(Abb. 2) **WARNUNG!** Dieses Produkt ist gefährlich. Wenn das Produkt nicht sorgfältig und korrekt verwendet wird, kann es zu Verletzungen oder zum Tod des Bedieners oder anderer Personen kommen. Zur Vermeidung von Verletzungen für den Bediener oder umstehende Personen, lesen

Daten" und auf dem Geräteschild angegeben.

(Abb. 15) Dieses Gerät entspricht den geltenden CE-Richtlinien.

(Abb. 16) Dieses Gerät entspricht den geltenden EAC-Richtlinien.

Das Typenschild zeigt die Seriennummer. **yyyy** ist das Produktionsjahr, **ww** die Produktionswoche und **xxxx** die fortlaufende Nummer.

yyyywwxxxx

**Hinweis:** Weitere Symbole/Aufkleber auf dem Gerät beziehen sich auf die Zertifizierungsanforderungen für andere kommerzielle Bereiche.

## Produkthaftung

Im Sinne der Produkthaftungsgesetze übernehmen wir keine Haftung für Schäden, die unser Gerät verursacht, wenn...

- das Gerät nicht ordnungsgemäß repariert wurde.
- das Gerät mit Teilen repariert wurde, die nicht vom Hersteller stammen oder vom Hersteller zugelassen sind.
- ein Zubehörteil mit dem Gerät verwendet wird, das nicht vom Hersteller stammt oder vom Hersteller zugelassen ist.
- das Gerät nicht bei einem autorisierten Service Center oder von einem zugelassenen Fachmann repariert wurde.

## EU V



**WARNUNG:** Bei einem Eingriff in den Motor erlischt die EU-Typgenehmigung für dieses Produkt.

## Sicherheit

### Sicherheitsdefinitionen

Warnungen, Vorsichtsmaßnahmen und Hinweise werden verwendet, um auf besonders wichtige Teile der Bedienungsanleitung hinzuweisen.



**WARNUNG:** Wird verwendet, wenn bei Nichtbeachtung der Anweisungen in diesem Handbuch die Gefahr von Verletzung oder Tod des Bedieners oder anderer Personen besteht.



**ACHTUNG:** Wird verwendet, wenn bei Nichtbeachtung der Anweisungen in diesem Handbuch die Gefahr von Schäden am Gerät, an anderen Materialien oder in der Umgebung besteht.

**Hinweis:** Für weitere Informationen, die in bestimmten Situationen nötig sind.

### Vibrationen Sicherheit

Dieses Produkt ist nur für den gelegentlichen Einsatz gedacht. Der kontinuierliche oder regelmäßige Betrieb des Geräts kann „Weißfingerkrankheit“ oder entsprechende gesundheitliche Probleme durch Vibrationen verursachen. Untersuchen Sie den Zustand Ihrer Hände und Finger, wenn Sie das Gerät dauerhaft oder in regelmäßigen Abständen bedienen. Wenn Ihre

Hände oder Finger Verfärbungen aufweisen, diese sich taub anfühlen oder Sie Schmerzen oder Krabbeln spüren, unterbrechen Sie die Arbeit, und suchen Sie sofort einen Arzt auf.

### Allgemeine Sicherheitshinweise



**WARNUNG:** Lesen Sie die folgenden Warnhinweise, bevor Sie das Gerät benutzen.

- Verwenden Sie das Gerät ordnungsgemäß. Eine falsche Verwendung kann zu schweren bis tödlichen Verletzungen führen. Verwenden Sie das Gerät nur für die in dieser Betriebsanleitung aufgeführten Arbeiten. Verwenden Sie das Gerät nicht für andere Aufgaben.
- Beachten Sie die Anweisungen in dieser Bedienungsanleitung. Beachten Sie die Symbole und die Sicherheitshinweise. Die Nichtbeachtung der Anweisungen und Symbole kann zu Verletzungen oder zum Tod führen.
- Werfen Sie diese Bedienungsanleitung nicht weg. Verwenden Sie die Anweisungen für das Zusammensetzen und den Betrieb, und halten Sie Ihr Gerät in gutem Zustand. Befolgen Sie die Anweisungen für die korrekte Installation von Anbaugeräten und Zubehörteilen. Verwenden Sie ausschließlich zugelassene Anbaugeräte und Zubehörteile.

- Verwenden Sie das Gerät nicht, wenn es beschädigt ist. Halten Sie sich an den Wartungsplan. Führen Sie nur diejenigen Wartungsarbeiten aus, die Sie in den Anweisungen in dieser Bedienungsanleitung finden. Alle sonstigen Wartungsarbeiten müssen von einer autorisierten Servicewerkstatt durchgeführt werden.
- Diese Bedienungsanleitung kann nicht alle Situationen abdecken, die bei der Verwendung des Geräts auftreten können. Seien Sie immer vorsichtig und arbeiten Sie mit gesundem Menschenverstand. Führen Sie keine Arbeiten mit dem Gerät oder Wartungen am Gerät durch, wenn Sie sich in einer Situation unsicher sind. Wenden Sie sich an einen Produktfachmann, Ihren Fachhändler, Ihren Service Vertreter oder das autorisierte Service Center für weitere Informationen.
- Ziehen Sie den Zündkerzenstecker ab, bevor Sie das Gerät zusammenbauen, einlagern oder warten.
- Verwenden Sie das Gerät nicht, wenn es nicht mehr der ursprünglichen Spezifikation entspricht. Ändern Sie kein Teil des Geräts ohne Genehmigung des Herstellers. Verwenden Sie nur Teile, die vom Gerätehersteller zugelassen sind. Eine falsche Wartung kann zu schweren bis tödlichen Verletzungen führen.
- Atmen Sie die Abgase des Motors nicht ein. Das Einatmen der Motorabgase über längere Zeit kann eine Gefahr für die Gesundheit darstellen.
- Das Gerät sollte nicht im Innenbereich oder in der Nähe von feuergefährlichen Stoffen gestartet werden. Die Abgase sind heiß und können Funken erzeugen, die einen Brand verursachen können. Eine mangelhafte Luftzirkulation kann zu schweren oder tödlichen Verletzungen durch Ersticken oder eine Kohlenmonoxidvergiftung führen.
- Wenn Sie das Gerät nutzen, erzeugt der Motor ein elektromagnetisches Feld. Das elektromagnetische Feld kann medizinische Implantate beschädigen. Sprechen Sie vor der Inbetriebnahme des Geräts mit Ihrem Arzt und dem Hersteller des medizinischen Implantats.
- Lassen Sie nicht zu, dass Kinder das Gerät verwenden. Erlauben Sie nicht, dass Personen ohne Kenntnis der Anweisungen das Gerät bedienen.
- Stellen Sie sicher, dass Personen mit verminderter physischer oder psychischer Leistungsfähigkeit dieses Gerät nicht unbeobachtet verwenden. Es muss immer ein verantwortlicher Erwachsener anwesend sein.
- Verschließen Sie das Gerät in einem Bereich, zum dem Kinder und nicht autorisierte Personen keinen Zugang haben.
- Das Gerät kann Objekte auswerfen und Verletzungen verursachen. Beachten Sie die Sicherheitshinweise, um das Risiko von Verletzungen oder Tod zu verringern.
- Entfernen Sie sich nicht vom Gerät, wenn der Motor eingeschaltet ist.
- Der Bediener des Geräts trägt bei einem Unfall die Verantwortung.

- Überprüfen Sie vor dem Gebrauch das Gerät auf schadhafte Teile.
- Achten Sie vor dem Gebrauch des Geräts darauf, einen Mindestabstand von 15 m von anderen Personen oder von Tieren einzuhalten. Stellen Sie sicher, dass Personen im angrenzenden Bereich wissen, dass Sie das Gerät benutzen.
- Halten Sie sich an nationale und lokale gesetzliche Bestimmungen. Diese können den Betrieb des Geräts unter bestimmten Bedingungen verhindern oder einschränken.
- Verwenden Sie das Gerät nicht, wenn Sie müde sind oder unter Einfluss von Alkohol, Drogen oder Medikamenten stehen, die Ihre Sehkraft, Aufmerksamkeit, Körperkontrolle oder Ihr Urteilsvermögen beeinträchtigen könnten.

## Sicherheitshinweise für die Montage



**WARNING:** Lesen Sie die folgenden Warnhinweise, bevor Sie das Gerät benutzen.

- Ziehen Sie die Zündkappe von der Zündkerze ab, bevor Sie das Gerät zusammenbauen.
- Tragen Sie zugelassene Schutzhandschuhe.
- Stellen Sie sicher, dass Sie die Abdeckung und die Welle korrekt zusammenbauen, bevor Sie den Motor starten.

## Sicherheitshinweise für den Betrieb

- Stellen Sie sicher, dass das Gerät vollständig zusammengebaut ist, bevor Sie es verwenden.
- Stellen Sie das Gerät vor dem Einschalten in einem Abstand von mindestens 3 m von der Stelle ab, wo Sie zuvor den Kraftstofftank gefüllt haben. Stellen Sie das Gerät auf einer ebenen Oberfläche ab. Stellen Sie sicher, dass die Schneidusrüstung nicht den Boden oder ein anderes Objekt berührt.
- Das Gerät kann Objekte umherschleudern und Augenverletzungen verursachen. Tragen Sie immer einen zugelassenen Augenschutz, wenn Sie mit dem Gerät arbeiten.
- Achten Sie darauf, dass sich während der Arbeiten kein Kind unbemerkt dem Gerät nähert.
- Benutzen Sie das Gerät nicht, wenn sich Personen im Arbeitsbereich befinden. Halten Sie das Gerät an, wenn eine Person den Arbeitsbereich betritt.
- Stellen Sie sicher, dass Sie immer die Kontrolle über das Gerät behalten.
- Verwenden Sie das Gerät nicht, wenn Sie bei einem Unfall keine Hilfe holen können. Vergewissern Sie sich immer, dass Dritte von Ihren Arbeiten wissen, bevor Sie das Gerät in Betrieb nehmen.
- Schauen Sie sich immer nach Personen und Tieren im Sicherheitsbereich um, bevor Sie sich mit dem Gerät herumdrehen.
- Entfernen Sie alle unerwünschten Materialien aus dem Arbeitsbereich, bevor Sie beginnen. Wenn die



Schneidausrüstung gegen ein Objekt stößt, kann das Objekt umhergeschleudert werden und Verletzungen oder Schäden verursachen. Unerwünschtes Material kann sich um die Schneidausrüstung wickeln und Schäden verursachen.

- Verwenden Sie das Gerät nicht bei schlechtem Wetter (Nebel, Regen oder starke Winde, Gewittergefahr oder sonstigen Schlechtwetterbedingungen). Bei schlechtem Wetter könnten sich gefährliche Bedingungen (z. B. rutschige Bodenflächen) einstellen.
- Stellen Sie sicher, dass Sie sich beim Arbeiten frei bewegen und stabil stehen können.

(Abb. 17)

- Vermeiden Sie Situationen, in denen Sie fallen könnten, wenn Sie mit dem Gerät arbeiten. Neigen Sie sich nicht bei der Arbeit mit dem Gerät.
- Halten Sie das Gerät immer mit beiden Händen fest. Halten Sie das Gerät auf der rechten Seite des Körpers.

(Abb. 18)

- Betreiben Sie das Gerät mit der Schneidausrüstung unter Hüfthöhe.
- Wenn sich beim Motorstart der Choke in der Choke-Stellung befindet, beginnt sich die Schneidausrüstung zu drehen.
- Berühren Sie das Winkelgetriebe nicht direkt nach dem Abstellen des Motors. Das Winkelgetriebe ist nach dem Abstellen des Motors noch heiß. Heiße Stellen können zu Verletzungen führen.
- Stellen Sie den Motor ab, bevor Sie das Gerät transportieren.
- Legen Sie das Gerät auf keinen Fall ab, solange der Motor läuft.
- Stellen Sie vor dem Entfernen unerwünschter Materialien den Motor ab und warten Sie, bis die Schneidausrüstung stillsteht. Lassen Sie die Schneidausrüstung anhalten, bevor Sie oder ein Helfer das geschnittene Material entfernen.

## Persönliche Schutzausrüstung



**WARNUNG:** Lesen Sie die folgenden Warnhinweise, bevor Sie das Gerät benutzen.

- Verwenden Sie immer geeignete persönliche Schutzausrüstung bei der Benutzung des Geräts. Das Tragen persönlicher Schutzausrüstung schließt das Risiko von Verletzungen nicht aus. Das Tragen persönlicher Schutzausrüstung verringert das Ausmaß der Verletzungen bei einem Unfall.
- Tragen Sie immer einen zugelassenen Augenschutz beim Arbeiten mit dem Gerät.
- Arbeiten Sie mit dem Gerät nicht barfuß oder mit offenen Schuhen. Tragen Sie stets robuste und rutschfeste Schuhe.
- Tragen Sie schwere, lange Hosen.

- Tragen Sie bei Bedarf auch zugelassene Schutzhandschuhe.
- Tragen Sie einen Helm, wenn Ihnen Gegenstände auf den Kopf fallen könnten.
- Tragen Sie immer einen zugelassenen Gehörschutz beim Arbeiten mit dem Gerät. Lärmbelastung über einen längeren Zeitraum kann zu lärmbedingten Hörschäden führen.
- Vergewissern Sie sich, dass Sie einen Erste-Hilfe-Kasten griffbereit haben.

## Sicherheitsvorrichtungen am Gerät



**WARNUNG:** Lesen Sie die folgenden Warnhinweise, bevor Sie das Gerät benutzen.

- Benutzen Sie kein Gerät mit defekten Sicherheitsvorrichtungen.
- Führen Sie regelmäßig eine Überprüfung der Sicherheitsvorrichtungen durch. Siehe *Produktübersicht auf Seite 70*.
- Wenn die Sicherheitsvorrichtungen defekt sind, wenden Sie sich an Ihre Husqvarna-Servicewerkstatt.

## Gashebelsperre

Die Gashebelsperre arretiert den Gashebel.

(Abb. 19)

Drücken Sie die Gashebelsperre (A), um den Gashebel (B) freizugeben. Wenn Sie den Griff loslassen, kehren Gashebelsperre und Gashebel wieder in die Ausgangsstellung zurück.

1. Stellen Sie sicher, dass der Gashebel (B) im Leerlauf arretiert ist, wenn Sie die Gashebelsperre (A) lösen.
2. Drücken Sie die Gashebelsperre (A) und kontrollieren Sie, ob sie beim Loslassen in die Ausgangsstellung zurückkehrt.
3. Drücken Sie den Gashebel (B) und kontrollieren Sie, ob er beim Loslassen in die Ausgangsstellung zurückkehrt.

Starten Sie den Motor, und geben Sie Vollgas. Lassen Sie den Gashebel los und kontrollieren Sie, ob die Schneidausrüstung stehen bleibt. Wenn sich die Schneidausrüstung dreht, während der Gashebel auf Leerlauf steht, überprüfen Sie die Einstellschraube für den Leerlauf am Vergaser.

## Stopschalter

Motor starten. Kontrollieren Sie, dass der Motor anhält, wenn Sie den Schalter auf die Stopp-Position stellen.

(Abb. 20)

## Schutz für die Schneidusrüstung

Die Schutzvorrichtung der Schneidusrüstung verhindert, dass ein loser Fremdkörper in Richtung des Fahrers geschleudert wird.

(Abb. 21)

Überprüfen Sie den Schutz der Schneidusrüstung auf Beschädigung und ersetzen Sie ihn gegebenenfalls.

Verwenden Sie nur die zugelassene Schutzvorrichtung für die Schneidusrüstung.

## Schalldämpfer

- Verwenden Sie keinen Motor mit defektem Schalldämpfer. Ein beschädigter Schalldämpfer erhöht den Geräuschpegel und die Brandgefahr. Halten Sie stets einen Feuerlöscher griffbereit.
- Überprüfen Sie regelmäßig, ob der Schalldämpfer mit dem Gerät verbunden ist.
- Berühren Sie den Motor oder den Schalldämpfer nicht, solange der Motor eingeschaltet ist. Warten Sie nach dem Abstellen des Motors eine Weile, bevor Sie den Motor oder den Schalldämpfer berühren. Heiße Oberflächen können zu Verletzungen führen.
- Ein heißer Schalldämpfer kann einen Brand verursachen. Seien Sie vorsichtig, wenn Sie das Gerät in der Nähe von entzündlichen Flüssigkeiten oder Gasen verwenden.
- Berühren Sie keine Teile im Schalldämpfer, wenn der Schalldämpfer beschädigt ist. Diese Teile können krebserregende Stoffe enthalten.

## Schneidusrüstung



**WARNUNG:** Lesen Sie die folgenden Warnhinweise, bevor Sie das Gerät benutzen.

- Führen Sie die regelmäßigen Wartungen aus. Lassen Sie ein autorisiertes Service Center die Schneidusrüstung regelmäßig überprüfen, um Einstellungen oder Reparaturen vorzunehmen.
  - Dies erhöht die Leistung der Schneidusrüstung.
  - Die Lebensdauer der Schneidusrüstung steigt.
  - Die Gefahr von Unfällen sinkt.
- Verwenden Sie ausschließlich eine für die Schneidusrüstung zugelassene Schutzvorrichtung. Weitere Informationen finden Sie unter *Zubehör auf Seite 31*.
- Verwenden Sie keine beschädigte Schneidusrüstung.

## Sicherer Umgang mit Kraftstoff



**WARNUNG:** Lesen Sie die folgenden Warnhinweise, bevor Sie das Gerät benutzen.

- Mischen Sie den Kraftstoff weder im Innenbereich noch in der Nähe einer Wärmequelle.
- Starten Sie das Gerät nicht, wenn sich Kraftstoff oder Öl darauf befindet. Entfernen Sie den unerwünschten Kraftstoff bzw. das Öl und lassen Sie das Gerät trocknen. Entfernen Sie unerwünschten Kraftstoff aus dem Gerät.
- Wechseln Sie sofort die Kleidung, wenn Sie Kraftstoff darauf verschütten.
- Lassen Sie keinen Kraftstoff auf Ihren Körper gelangen, denn dies kann zu Verletzungen führen. Wenn Kraftstoff auf Ihre Haut gelangt, diesen mit Wasser und Seife abwaschen.
- Starten Sie den Motor niemals, wenn Sie Öl oder Kraftstoff auf das Gerät oder auf Ihren Körper verschüttet haben.
- Starten Sie das Gerät nicht, wenn der Motor undicht ist. Überprüfen Sie den Motor regelmäßig auf Undichtigkeiten.
- Gehen Sie vorsichtig mit Kraftstoff um. Kraftstoff ist feuergefährlich, und die Dämpfe sind explosiv und können zu Verletzungen oder sogar zum Tod führen.
- Atmen Sie die Kraftstoffdämpfe nicht ein, denn sie sind gesundheitsschädigend. Achten Sie auf ausreichende Belüftung.
- Rauchen Sie nicht in der Nähe des Kraftstoffs oder des Motors.
- Stellen Sie keine heißen Gegenstände in der Nähe des Kraftstoffs oder Motors ab.
- Füllen Sie keinen Kraftstoff nach, während der Motor läuft.
- Vergewissern Sie sich, dass der Motor abgekühlt ist, bevor Sie Kraftstoff nachfüllen.
- Öffnen Sie vor dem Nachfüllen den Tankdeckel langsam und lassen Sie den Druck vorsichtig entweichen.
- Füllen Sie keinen Kraftstoff in den Motor, wenn Sie sich in einem Innenraum befinden. Eine mangelhafte Luftzirkulation kann zu schweren oder tödlichen Verletzungen durch Ersticken oder eine Kohlenmonoxidvergiftung führen.
- Drehen Sie den Tankdeckel sorgfältig zu, da ansonsten Brandgefahr besteht.
- Stellen Sie vor dem Einschalten das Gerät in einem Abstand von mindestens 3 m von der Stelle auf, wo Sie den Tank befüllt haben.
- Überfüllen Sie den Kraftstofftank nicht.
- Stellen Sie sicher, dass kein Kraftstoff austreten kann, wenn Sie das Gerät oder den Kraftstoffbehälter transportieren.
- Bewegen Sie sich mit dem Gerät oder einen Kraftstoffbehälter nicht in Bereichen mit offenem Feuer, Funkenbildung oder Zündflammen. Stellen Sie sicher, dass sich im Lagerbereich keine offene Feuerquelle befindet.
- Verwenden Sie nur zugelassene Behälter, wenn Sie den Kraftstoff transportieren oder lagern Sie den Kraftstoff ein.

- Leeren Sie den Kraftstofftank, bevor Sie das Gerät für längere Zeit einlagern. Entsorgen Sie den Kraftstoff an Orten, die durch die lokalen gesetzlichen Bestimmungen dafür vorgesehen sind.
- Reinigen Sie das Gerät, bevor Sie es für längere Zeit einlagern.
- Ziehen Sie das Zündkerzenkabel ab, bevor Sie das Gerät einlagern, um sicherzustellen, dass der Motor nicht unbeabsichtigt starten kann.

## Sicherheitshinweise für die Wartung



**WARNUNG:** Lesen Sie die folgenden Warnhinweise, bevor Sie das Gerät warten.

- Sie dürfen nur die Wartungs- und Servicearbeiten ausführen, die in dieser Bedienungsanleitung

beschrieben sind. Lassen Sie professionelles Wartungspersonal alle anderen Wartungsarbeiten und Reparaturen durchführen.

- Die Kontroll-, Wartungs- und Serviceanweisungen in dieser Bedienungsanleitung sind regelmäßig durchzuführen. Durch eine regelmäßige Wartung verlängert sich die Lebensdauer des Geräts und verringert sich die Gefahr von Unfällen. Eine Anleitung finden Sie in *Wartungsplan auf Seite 78*.
- Wenn die Sicherheitskontrollen in dieser Bedienungsanleitung nach Wartungsarbeiten nicht genehmigt werden, wenden Sie sich an Ihren Kundendienst. Wir garantieren Ihnen, dass für Ihr Gerät professionelle Service- und Reparaturdienste verfügbar sind.

## Montage

### Einleitung



**WARNUNG:** Vor dem Betrieb des Gerätes müssen Sie die Sicherheitsinformationen lesen und verstehen.



**WARNUNG:** Ziehen Sie den Zündkerzenstecker von der Zündkerze ab, bevor Sie das Gerät zusammenbauen.

### So montieren Sie den Loophandgriff

1. Setzen Sie den Loophandgriff zwischen die Pfeile auf die Welle.
2. Ziehen Sie die Schraube zur Befestigung des Loophandgriffs auf der Welle an. (Abb. 22)

### So montieren Sie die Schneidausrüstung

#### So montieren Sie den Schneidausrüstungsschutz

1. Setzen Sie den Schneidausrüstungsschutz (A) auf die Welle. (Abb. 23)

2. Drücken Sie die Halterung (B) in den Schlitz auf dem Schneidausrüstungsschutz.
3. Stecken Sie die Schraube (C) durch das Loch an der Halterung und befestigen Sie diese am Schneidausrüstungsschutz.

#### So montieren Sie den Trimmerkopf

1. Stellen Sie sicher, dass der Schneidausrüstungsschutz (A) am Gerät befestigt ist. Siehe *So montieren Sie den Schneidausrüstungsschutz auf Seite 75*. (Abb. 24)
2. Stellen Sie sicher, dass das Mitnehmerrad (C) an der Abtriebswelle (D) befestigt ist.
3. Stecken Sie den Sternschlüssel (B) in das Loch, so dass die Achse fixiert ist.
4. Montieren Sie den Trimmerkopf (E) an der Abtriebswelle.
5. Drehen Sie den Trimmerkopf gegen den Uhrzeigersinn, um ihn an der Abtriebswelle zu festzuziehen. (Abb. 25)
6. Entfernen Sie den Sternschlüssel.

## Betrieb

### Einleitung



**WARNUNG:** Vor dem Betrieb des Gerätes müssen Sie die Sicherheitsinformationen lesen und verstehen.



**ACHTUNG:** Die Verwendung eines falschen Kraftstoffs kann zu einer Beschädigung des Motors führen. Verwenden Sie eine Mischung aus Benzin und Zweitaktöl.

### Kraftstoff

Dieses Produkt verfügt über einen Zweitaktmotor.

#### Vorgemischter Kraftstoff

- Verwenden Sie Husqvarna vorgemischten Alkylatkraftstoff von hoher Qualität. Dies sorgt für die

beste Leistung und eine Verlängerung der Lebensdauer des Motors. Im Vergleich zu herkömmlichem Kraftstoff enthält dieser Kraftstoff weniger gesundheitsschädliche Substanzen, wodurch der Ausstoß schädlicher Abgase verringert wird. Die Menge von Rückständen nach der Verbrennung ist bei diesem Kraftstoff niedriger. Dadurch bleiben die Bauteile des Motors sauberer.

## So mischen Sie Kraftstoff vor

### Benzin



**ACHTUNG:** Verwenden Sie kein Benzin mit einer geringeren Oktanzahl als 90 RON (87 AKI). Dies kann das Gerät beschädigen.



**ACHTUNG:** Verwenden Sie kein Benzin mit einer höheren Ethanolkonzentration als 10 % (E10). Dies kann das Gerät beschädigen.

- Verwenden Sie immer frisches bleifreies Benzin mit einer Oktanzahl von mindestens 90 RON (87 AKI) und einer Ethanolkonzentration unter 10 % (E10).
- Verwenden Sie Benzin mit einer höheren Oktanzahl, wenn Sie das Gerät häufig und bei kontinuierlich hoher Motordrehzahl verwenden.

### Zweitaktöl

- Verwenden Sie für beste Ergebnisse und die beste Leistung Husqvarna Zweitaktöl.
- Wenn Husqvarna Zweitaktöl nicht verfügbar ist, verwenden Sie ein qualitativ hochwertiges Zweitaktöl für luftgekühlte Motoren. Wenden Sie sich an Ihren Kundendienst zur Auswahl der richtigen Ölsorte.



**ACHTUNG:** Verwenden Sie kein Zweitaktöl für wassergekühlte Außenbordmotoren (auch Outboardoil genannt). Verwenden Sie kein Öl für Viertaktmotoren.

### So mischen Sie Benzin und Zweitaktöl

Benzin, Liter	Zweitaktöl, Liter
	<b>2 % (50:1)</b>
5	0,10
10	0,20
15	0,30
20	0,40



**ACHTUNG:** Beim Mischen kleiner Kraftstoffmengen wirken sich auch kleine Abweichungen bei der Ölmenge stark auf das Mischungsverhältnis aus. Um das korrekte Mischungsverhältnis sicherzustellen, muss die beizumischende Ölmenge genau abgemessen werden.

(Abb. 26)

1. Füllen die Hälfte des Benzins in einen sauberen Kraftstoffbehälter.
2. Fügen Sie die gesamte Menge Öl hinzu.
3. Schütteln Sie die Kraftstoffmischung.
4. Geben Sie dann den Rest des Benzins in den Behälter dazu.
5. Schütteln Sie die Kraftstoffmischung sorgfältig.



**ACHTUNG:** Mischen Sie Kraftstoff höchstens für einen Monat im Voraus.

## So füllen Sie Kraftstoff nach

- Verwenden Sie immer einen Kraftstoffbehälter mit einem Überfüllungsschutz.
- Wenn sich noch Kraftstoff auf dem Behälter befindet, entfernen Sie diesen und lassen Sie den Behälter trocknen.
- Stellen Sie sicher, dass der Bereich um den Tankverschluss sauber ist.
- Schütteln Sie den Kraftstoffbehälter, bevor Sie das Kraftstoffgemisch in den Kraftstofftank einfüllen.

## So fahren Sie den Motor ein

- Geben Sie während der ersten 10 Betriebsstunden nicht über einen längeren Zeitraum Vollgas ohne Last.

## Starten und stoppen

### So führen Sie eine Untersuchung vor dem Start durch

1. Stellen Sie sicher, dass sich auf dem Produkt keine fehlenden, beschädigten, losen oder abgenutzten Teile befinden.
2. Stellen Sie sicher, dass alle Muttern, Schrauben und Bolzen angezogen sind.
3. Stellen Sie sicher, dass der Trimmerkopf nicht beschädigt ist.
4. Vergewissern Sie sich, dass der Luftfilter nicht verstopft ist.
5. Stellen Sie sicher, dass die Sicherheitsvorrichtungen am Gerät nicht beschädigt sind.
6. Stellen Sie sicher, dass am Gerät kein Kraftstoff ausläuft.

## So starten Sie bei kaltem Motor

1. Drücken Sie 10-mal auf die Kraftstoffpumpenblase. (Abb. 27)
2. Ziehen Sie den Choke-Hebel nach oben. (Abb. 28)
3. Drücken Sie den Gerätekörper mit der linken Hand gegen den Boden. (Abb. 29) Treten Sie nicht auf das Produkt. Ziehen Sie langsam am Startseilhandgriff, bis Sie einen Widerstand spüren. Ziehen Sie dann mit Kraft am Startseil.

---

**Hinweis:** Betätigen Sie nicht den Gashebel, während Sie den Motor starten.

---

4. Ziehen Sie weiter am Startseilhandgriff, bis der Motor anspringt oder versucht zu starten (max. 3 Mal). Wenn der Motor anspringt oder versucht zu starten, drücken Sie den Choke nach unten. Ziehen Sie weiter, bis der Motor anspringt. Warten Sie 60 Sekunden lang nach einem Start, bevor Sie den Gashebel betätigen.



**ACHTUNG:** Ziehen Sie das Startseil nicht bis zum Anschlag heraus. Lassen Sie das Startseil nicht los, wenn es vollständig ausgezogen ist. Lösen Sie das Startseil langsam. Bei Nichtbeachtung dieser Anweisungen kann es zu einer Beschädigung des Motors kommen.

---

## So starten Sie einen warmen Motor

1. Drücken Sie 10-mal auf die Kraftstoffpumpenblase.
2. Ziehen Sie am Startseil, bis der Motor anspringt.

## So starten Sie den Motor, wenn der Kraftstoff zu heiß ist

Wenn das nicht Gerät startet, kann dies darauf zurückzuführen sein, dass der Kraftstoff zu heiß ist.

**Hinweis:** Verwenden Sie stets neuen Kraftstoff, und verringern Sie bei warmem Wetter die Betriebszeit.

---

1. Stellen Sie das Gerät an einem kühlen Ort ab, wo es keiner direkten Sonneneinstrahlung ausgesetzt ist.
2. Lassen Sie das Gerät mindestens 20 Minuten lang abkühlen.
3. Drücken Sie die Kraftstoffpumpenblase wiederholt 10-15 Sekunden.
4. Gehen Sie wie beim Starten eines kalten Motors vor. Siehe *So starten Sie bei kaltem Motor auf Seite 77*.

## So stoppen Sie das Gerät

- Drücken Sie den Stoppschalter, um den Motor auszustellen. (Abb. 30)

**Hinweis:** Der Stoppschalter kehrt dann automatisch wieder in seine Ausgangsstellung zurück.

---

## So arbeiten Sie mit dem Rasentrimmer



**ACHTUNG:** Stellen Sie sicher, dass Sie nach jedem Betrieb den Motor wieder in den Leerlauf drosseln. Wenn der Motor längere Zeit bei voller Drehzahl ohne Last läuft, kann er dadurch beschädigt werden.

---

**Hinweis:** Reinigen Sie die Abdeckung des Trimmerkopfes, wenn Sie einen neuen Trimmerfaden befestigen, um Schwingungen zu vermeiden. Untersuchen Sie andere Teile der Trimmerkopfes und reinigen Sie diese, falls erforderlich.

---

## So trimmen Sie Gras

1. Halten Sie den Trimmerkopf nah über dem Boden und neigen Sie ihn dabei etwas. Drücken Sie den Trimmerfaden nicht in das Gras. (Abb. 31)
2. Verringern Sie die Länge des Trimmerfadens um 10-12 cm.
3. Senken Sie die Motordrehzahl, um das Risiko, Pflanzen zu beschädigen, zu verringern.
4. Arbeiten Sie mit 80 % Gas, wenn Sie Gras in der Nähe von Objekten schneiden. (Abb. 32)

## So mähen Sie den Rasen

1. Stellen Sie sicher, dass der Rasentrimmerfaden beim Schneiden parallel zum Boden läuft. (Abb. 33)
2. Drücken Sie den Trimmerkopf nicht auf den Boden. Der Boden und das Gerät könnten dadurch beschädigt werden.
3. Der Trimmerkopf sollte nicht durchgängig den Boden berühren, da es sonst zu Schäden am Trimmerkopf kommen kann.
4. Arbeiten Sie mit Vollgas, wenn Sie das Gerät beim Mähen von einer Seite zur anderen bewegen. Stellen Sie sicher, dass der Rasentrimmerfaden beim Schneiden parallel zum Boden läuft. (Abb. 34)

## Kopf des Rasentrimmers

- Wickeln Sie den Faden des Rasentrimmers straff und gleichmäßig um die Trommel, um Vibrationen zu vermeiden.
- Verwenden Sie nur zugelassene Rasentrimmerköpfe und Rasentrimmerfäden. Siehe *Zubehör auf Seite 81*.
- Verwenden Sie einen Rasentrimmerfaden mit korrekter Länge. Ein langer Rasentrimmerfaden verbraucht mehr Motorleistung als ein kurzer Rasentrimmerfaden.
- Achten Sie darauf, dass das Messer an der Schutzvorrichtung der Schneidusrüstung nicht beschädigt ist.
- Weichen Sie den Rasentrimmerfaden zwei Tage lang in Wasser ein, bevor Sie ihn am Gerät

befestigen. Dies erhöht die Lebensdauer des Rasentrimmerfadens.

(Abb. 37)  
(Abb. 38)  
(Abb. 39)  
(Abb. 40)  
(Abb. 41)  
(Abb. 42)

## So tauschen Sie den Trimmerfaden aus

(Abb. 35)  
(Abb. 36)

---

# Wartung

---

## Einleitung



**WARNUNG:** Bevor Sie eine Wartung durchführen, müssen Sie das Kapitel über die Sicherheit lesen und verstehen.

Für alle Wartungs- und Reparaturarbeiten am Produkt ist eine spezielle Schulung erforderlich. Wir garantieren die Verfügbarkeit von professionellen Reparaturen und Wartungsarbeiten. Wenn Ihr Händler keine Servicewerkstatt ist, sprechen Sie mit ihm, um Informationen über die nächste Servicewerkstatt zu erhalten.

## Wartungsplan

### Wöchentliche Wartung

- Reinigen Sie die Außenflächen.
- Vergewissern Sie sich, dass sich die Schneidausrüstung im Leerlauf nicht bewegt. Siehe *So stellen Sie die Leerlaufdrehzahl ein auf Seite 78*.
- Überprüfen Sie den Schmierfettstand im Winkelgetriebe. Siehe *So fetten Sie das Winkelgetriebe nach auf Seite 79*.

### Monatliche Wartung

- Stellen Sie sicher, dass Startseil und Startseilgriff nicht beschädigt sind.

### Jährliche Wartung

- Überprüfen Sie die Zündkerze. Siehe *So überprüfen Sie die Zündkerze auf Seite 78*
- Reinigen Sie die Außenflächen des Vergasers und die angrenzenden Bereiche.
- Reinigen Sie das Kühlsystem.
- Überprüfen Sie den Funkenschutz. Siehe *So warten Sie den Funkenschutz auf Seite 78*.
- Überprüfen Sie den Kraftstofffilter.
- Vergewissern Sie sich, dass der Kraftstoffschlauch nicht beschädigt ist.
- Stellen Sie sicher, dass Kabel und Anschlüsse am Gerät nicht beschädigt sind.

## So stellen Sie die Leerlaufdrehzahl ein

- Stellen Sie sicher, dass der Luftfilter sauber ist und der Luftfilterdeckel befestigt wurde, bevor Sie die Leerlaufdrehzahl einstellen.

- Stellen Sie die Leerlaufdrehzahl mit der zugehörigen Einstellschraube T ein, die mit der „T“-Markierung versehen ist.
- Die Leerlaufdrehzahl ist richtig eingestellt, wenn der Motor in allen Stellungen gleichmäßig läuft. Die Leerlaufdrehzahl muss niedriger sein als die Geschwindigkeit, bei der sich die Schneidausrüstung zu drehen beginnt.

1. Drehen Sie die Einstellschraube im Uhrzeigersinn, bis die Schneidausrüstung sich zu drehen beginnt. (Abb. 43)
2. Drehen Sie die Einstellschraube gegen den Uhrzeigersinn, bis die Schneidausrüstung stehen bleibt.

## So warten Sie den Funkenschutz

Reinigen Sie den Funkenschutz mit einer Drahtbürste. (Abb. 44)

## So reinigen Sie das Kühlsystem

Reinigen Sie die Teile des Kühlsystems mit einer Bürste.

(Abb. 45)

## So überprüfen Sie die Zündkerze



**ACHTUNG:** Verwenden Sie die empfohlene Zündkerze. Stellen Sie sicher, dass ein Ersatzteil mit dem vom Hersteller gelieferten Teil identisch ist. Eine falsche Zündkerze kann zu Schäden am Gerät führen.

1. Überprüfen Sie die Zündkerze, wenn...
  - a) der Motor zu wenig Leistung erbringt.
  - b) der Motor sich nicht leicht starten lässt.
  - c) der Motor nicht ordnungsgemäß im Leerlauf funktioniert.
2. Untersuchen Sie die Zündkerze auf unerwünschtes Material, wenn sich der Motor nicht leicht starten und betreiben lässt. So verringern Sie die Gefahr von unerwünschtem Material an den Elektroden der Zündkerze:
  - a) Vergewissern Sie sich, dass die Leerlaufdrehzahl richtig eingestellt ist.
  - b) Vergewissern Sie sich, dass das Kraftstoffgemisch korrekt ist.
  - c) Vergewissern Sie sich, dass der Luftfilter sauber ist.

- Reinigen Sie die Zündkerze, wenn sie schmutzig ist. Kontrollieren Sie, dass der Elektrodenabstand korrekt ist. (Abb. 46)
- Tauschen Sie die Zündkerze bei Bedarf aus.

## So warten Sie den Luftfilter

### Reinigen des Luftfilters

- Nehmen Sie Luftfilterdeckel und Luftfilter ab. (Abb. 47)
- Reinigen Sie den Luftfilter mit warmer Seifenlauge. Achten Sie darauf, dass der Luftfilter trocken ist, bevor Sie ihn wieder einbauen.
- Tauschen Sie den Luftfilter aus, falls er für eine Reinigung zu stark verschmutzt ist. Tauschen Sie einen beschädigten Luftfilter unbedingt aus.
- Wenn sich in Ihrem Gerät ein Luftfilter aus Schaumstoff befindet, tragen Sie Luftfilteröl auf. Verwenden Sie Luftfilteröl ausschließlich bei Schaumstofffiltern. Tragen Sie auf keinen Fall Öl auf einen Filzfilter auf.

### So tragen Sie Luftfilteröl auf den Luftfilter auf



**ACHTUNG:** Verwenden Sie grundsätzlich spezielles Luftfilteröl auf Schaumstoff-

Luftfiltern. Verwenden Sie keine anderen Arten von Öl.



**WARNUNG:** Lassen Sie das Öl nicht auf die Haut kommen.

- Nehmen Sie Luftfilterdeckel und Luftfilter ab. (Abb. 48)
- Stecken Sie den Luftfilter in einen Plastikbeutel.
- Schütten Sie das Luftfilteröl in den Plastikbeutel. (Abb. 49)
- Drücken Sie die Plastiktüte, um sicherzustellen, dass sich das Öl gleichmäßig über den Luftfilter verteilt.
- Drücken Sie auf den Luftfilter in dem Beutel, um überflüssiges Luftfilteröl zu entfernen. Nehmen Sie den Luftfilter aus dem Beutel.
- Montieren Sie den Luftfilter.

### So fetten Sie das Winkelgetriebe nach

Stellen Sie sicher, dass das Winkelgetriebe zu 3/4 mit Schmiermittel gefüllt ist.

(Abb. 50)

## Fehlersuche

### Der Motor springt nicht an

Prüfung	Mögliche Ursache	Empfohlene Vorgehensweise
Stoppsschalter	Der Stoppsschalter ist in Stopposition.	Den Stoppsschalter in Startposition stellen.
Starterklinken	Die Starterklinken sind nicht frei beweglich.	Entfernen Sie das Gehäuse der Startvorrichtung und reinigen Sie den Bereich um die Starterklinken. Wenden Sie sich an eine zugelassene Servicewerkstatt.
Kraftstofftank.	Falsche Kraftstoffsorte.	Wechseln Sie den Kraftstoff aus.

Prüfung	Mögliche Ursache	Empfohlene Vorgehensweise
Zündkerze.	Die Zündkerze ist verschmutzt oder nass.	Stellen Sie sicher, dass die Zündkerze sauber und trocken ist.
	Zündkerze mit falschem Elektrodenabstand.	Reinigen Sie die Zündkerze. Stellen Sie sicher, dass der Elektrodenabstand korrekt ist. Stellen Sie sicher, dass die Zündkerze eine sog. Funkentstörung hat.
		Siehe technische Daten für den korrekten Elektrodenabstand.
	Die Zündkerze sitzt lose.	Zündkerze festziehen.

## Der Motor startet, geht aber wieder aus.

Prüfung	Mögliche Ursache	Empfohlene Vorgehensweise
Kraftstofftank	Falsche Kraftstoffsorte.	Wechseln Sie den Kraftstoff aus.
Luftfilter	Der Luftfilter ist verstopft.	Reinigen Sie den Luftfilter.

## Transport, Lagerung und Entsorgung

### Transport und Lagerung

- Lassen Sie das Produkt vor dem Transport oder der Lagerung abkühlen.
- Entfernen Sie die Zündkappe von der Zündkerze, bevor Sie sie für längere Zeit einlagern.
- Befestigen Sie das Produkt während des Transports. Sorgen Sie dafür, dass sich das Gerät während des Transports nicht bewegen kann.
- Stellen Sie sicher, dass während des Transports und der Lagerung kein Risiko für das Austreten von Kraftstoff und Kraftstoffdämpfen und das Entstehen von Funken oder Flammen besteht.
- Reinigen und warten Sie das Gerät, bevor Sie es für längere Zeit einlagern.

## Technische Daten

### Technische Angaben

	<b>325L</b>
	<b>A05328CSHV</b>
<b>Motor</b>	
Hubraum, cm <sup>3</sup>	27,6
Leerlaufdrehzahl, U/min	2800 - 3200
Empfohlene max. Drehzahl U/min	8000
Leistung/Motorhöchstleistung gemäß ISO 8893, kW/PS bei U/min	0,9/1,2 bei 8000
Katalysatorschalldämpfer	Ja



	<b>325L</b> <b>A05328CSHV</b>
Drehzahl der Abtriebswelle, U/min	7200
<b>Zündanlage</b>	
Zündkerze	Husqvarna HQT-4
Elektrodenabstand, mm	0,5
<b>Kraftstoffsystem</b>	
Volumen des Kraftstofftanks, l/cm <sup>3</sup>	0,343/343
<b>Produktmaße</b>	
Gewicht (ohne Schneidusrüstung), kg	5,0
<b>Geräuschemissionen<sup>16</sup></b>	
Schallleistungspegel, garantiert (L <sub>WA</sub> ), dB(A)	114
Schallleistungspegel, gemessen, dB(A)	110
<b>Lautstärke<sup>17</sup></b>	
Schalldruckpegel am Ohr des Bedieners, ausgestattet mit Trimmerkopf, dB (A)	93
<b>Vibrationswerte<sup>18</sup></b>	
Äquivalenter Vibrationspegel (ahv, eq), ausgestattet mit Trimmerkopf, linker Griff, <sup>2</sup>	4,2
Äquivalenter Vibrationspegel (ahv, eq), ausgestattet mit Trimmerkopf, rechter Griff, m/s <sup>2</sup>	6.1

---

## Zubehör

---

### Zubehör

Zugelassenes Zubehör	Typ	Schutz für die Schneidusrüstung
Gewindwelle	M10L	
Trimmerkopf	T35, Ø 2,4 mm	588 54 37-01

<sup>16</sup> Umweltbelastende Geräuschemissionen, gemessen als Schalleistung (L<sub>WA</sub>) gemäß EG-Richtlinie 2000/14/EG. Der aufgezeichnete Lautstärkepegel für das Gerät wurde unter Verwendung der originalen Schneidusrüstung mit dem höchsten Pegel gemessen. Die Differenz zwischen garantiertem und gemessenem Schalleistungspegel besteht darin, dass beim garantierten Schalleistungspegel auch eine Streuung im Messergebnis und Variationen zwischen verschiedenen Geräten desselben Modells gemäß der Richtlinie 2000/14/EG berücksichtigt werden.

<sup>17</sup> Berichten zufolge liegt der Schalldruckpegel für dieses Gerät normalerweise bei einer Ausbreitungsklasse (Standardabweichung) von 1 dB (A).

<sup>18</sup> Berichten zufolge liegt der äquivalente Vibrationspegel normalerweise bei einer Ausbreitungsklasse (Standardabweichung) von 1 m/s<sup>2</sup>.

---

# EG-Konformitätserklärung

---

## Inhalt der EG-Konformitätserklärung

Wir, Husqvarna AB, SE 561 82 Huskvarna, SCHWEDEN, erklären in alleiniger Verantwortung, dass das Gerät Folgendem genügt:

Beschreibung	Benzinbetriebener Rasentrimmer/Motorsense
Marke	Husqvarna
Plattform/Typ/Modell	Plattform A05328CSHV, Modell 325L
Charge	Seriennummer ab Baujahr 2018

Es erfüllt die folgenden EU-Vorschriften und -Richtlinien:

Richtlinie/Verordnung	Beschreibung
2006/42/EG	„Über Maschinen“
2014/30/EG	EMV-Richtlinie
2000/14/EG	„über umweltbelastende Geräuschemissionen“
2011/65/EG	„Beschränkung der Verwendung bestimmter gefährlicher Stoffe“

Harmonisierte Normen und/oder technische Spezifikationen gelten wie folgt: EN ISO 12100, EN ISO 11806-1, CISPR 12, ISO 14982, EN 50581:2012

Die im Abschnitt „Technische Daten“ in dieser Bedienungsanleitung und in der signierten EU-Konformitätserklärung angegebenen Schallwerte entsprechen der EU-Richtlinie 2000/14/EG, Anhang V.

Der TÜV Rheinland N.A. führte im Auftrag von Husqvarna AB eine freiwillige Typenprüfung durch, und stellte eine Konformitätsbescheinigung nach EG-Richtlinie 2006/42/EG für Maschinen aus.

Das Zertifikat, wie auf der unterzeichneten EU-Konformitätserklärung angegeben, gilt für alle Fertigungsstandorte und Ursprungsländer, wie auf dem Gerät angegeben.

Der gelieferte benzinbetriebene Trimmer/die Motorsense entspricht dem Exemplar, das der EU-Typenprüfung unterzogen wurde.

---

## Περιεχόμενα

---

Εισαγωγή.....	83	Αντιμετώπιση προβλημάτων.....	92
Ασφάλεια.....	84	Μεταφορά, αποθήκευση και απόρριψη.....	93
Συναρμολόγηση.....	88	Τεχνικά στοιχεία.....	94
Λειτουργία.....	88	Αξεσουάρ.....	95
Συντήρηση.....	91	Δήλωση Συμμόρφωσης ΕΚ.....	96

---

## Εισαγωγή

---

### Εγχειρίδιο χρήσης

Η αρχική γλώσσα του παρόντος εγχειριδίου χρήσης είναι τα Αγγλικά. Τα εγχειρίδια χρήσης σε άλλες γλώσσες είναι μεταφράσεις από τα Αγγλικά.

### Προβλεπόμενη χρήση

Το προϊόν χρησιμοποιείται με κεφαλή χορτοκοπτικού για την κοπή χόρτων. Μην χρησιμοποιείτε το προϊόν για

### Επισκόπηση προϊόντος

(Εικ. 1)

1. Κεφαλή χορτοκοπτικού
2. Τάπα πλήρωσης γράσου
3. Κωνικό γρανάζι
4. Προστατευτικό εξαρτήματος κοπής
5. Άξονας
6. Χειρολαβή τύπου βρόγχου
7. Σκανδάλη γκαζιού
8. Διακόπτης διακοπής λειτουργίας
9. Ασφάλεια σκανδάλης γκαζιού
10. Καπάκι μπουζί, μπουζί
11. Περιβλήμα συστήματος εκκίνησης
12. Λαβή εκκίνησης
13. Ντεπόζιτο καυσίμου
14. Κάλυμμα φίλτρου αέρα
15. Φούσκα πλήρωσης χειροκίνητης αντλίας καυσίμου (πουάρ)
16. Χειριστήριο τσοκ
17. Δίσκος μετάδοσης
18. Εγχειρίδιο χρήσης
19. Κλειδί Torx

### Σύμβολα στο προϊόν

- (Εικ. 2) **ΠΡΟΕΙΔΟΠΟΙΗΣΗ!** Αυτό το προϊόν είναι επικίνδυνο. Μπορεί να προκληθεί τραυματισμός ή θάνατος του χειριστή ή των παρευρισκόμενων αν το προϊόν δεν χρησιμοποιείται προσεκτικά και σωστά. Για να αποτραπεί ο τραυματισμός του χειριστή ή των παρευρισκόμενων, διαβάστε και τηρείτε

άλλες εργασίες εκτός από την κοπή και τον καθαρισμό χόρτων.

**Περιεχόμενα** Μπορεί να ισχύουν εθνικοί κανονισμοί που θέτουν όρια στη χρήση του προϊόντος.

---

όλες τις οδηγίες ασφαλείας που αναφέρονται στο εγχειρίδιο χρήσης.

- (Εικ. 3) Προτού χρησιμοποιήσετε το προϊόν, διαβάστε το εγχειρίδιο χρήσης προσεκτικά και βεβαιωθείτε ότι έχετε κατανοήσει τις οδηγίες.

(Εικ. 4) Χρησιμοποιείτε εγκεκριμένα προστατευτικά ακοής. Χρησιμοποιείτε εγκεκριμένη προστασία των ματιών.

(Εικ. 5) Το προϊόν μπορεί να προκαλέσει την εκτίναξη αντικειμένων, το οποίο μπορεί να προκαλέσει τραυματισμό.

(Εικ. 6) Μέγιστη ταχύτητα του άξονα εξαγωγής.

(Εικ. 7) Για όση ώρα λειτουργεί το προϊόν, να διατηρείτε ελάχιστη απόσταση 15 μέτρων από ανθρώπους και ζώα.

(Εικ. 8) Χρησιμοποιείτε μόνο εύκαμπτη μεσινέζα.

(Εικ. 9) Μην χρησιμοποιείτε μεταλλικά στοιχεία κοπής.

(Εικ. 10) Τα βέλη δείχνουν τα όρια για τη θέση της λαβής.

(Εικ. 11) Φούσκα πλήρωσης χειροκίνητης αντλίας καυσίμου (πουάρ).

(Εικ. 12) Τσοκ.

(Εικ. 13) Ανεφοδιασμός.

(Εικ. 14) Οι εκπομπές θορύβου στο περιβάλλον αναφέρονται στην Οδηγία της Ευρωπαϊκής Κοινότητας. Οι εκπομπές καυσαερίων του προϊόντος αναγράφονται στο κεφάλαιο "Τεχνικά στοιχεία" και στην πινακίδα του προϊόντος.

(Εικ. 15) Το προϊόν συμμορφώνεται με τις ισχύουσες οδηγίες ΕΚ.

(Εικ. 16) Το προϊόν συμμορφώνεται με τις ισχύουσες οδηγίες ΕΑC.

Η πινακίδα στοιχείων δείχνει τον αριθμό σειράς. Το **yyyy** είναι το έτος παραγωγής, το **ww** είναι η εβδομάδα παραγωγής και το **xxxx** είναι ο αριθμός σειράς.

yyyywwxxxx

**Περιεχόμενα** Άλλα σύμβολα/σήματα που υπάρχουν στο προϊόν αναφέρονται σε απαιτήσεις πιστοποίησης για άλλες εμπορικές περιοχές.

## Ευθύνη προϊόντος

Όπως αναφέρεται στη νομοθεσία περί ευθύνης για τα προϊόντα, δεν φέρουμε καμία ευθύνη για ζημιές που οφείλονται στο προϊόν μας εάν:

- Το προϊόν έχει επισκευαστεί λανθασμένα.
- Το προϊόν έχει επισκευαστεί με εξαρτήματα που δεν προέρχονται από τον κατασκευαστή ή που δεν έχουν εγκριθεί από τον κατασκευαστή.
- Το προϊόν διαθέτει ένα αξεσουάρ που δεν προέρχεται από τον κατασκευαστή ή που δεν έχει εγκριθεί από τον κατασκευαστή.
- Το προϊόν δεν έχει επισκευαστεί σε εγκεκριμένο κέντρο σέρβις ή από εγκεκριμένη αρχή.

## ΕΥ V



**ΠΡΟΕΙΔΟΠΟΙΗΣΗ:** Οποιαδήποτε μη εξουσιοδοτημένη παρέμβαση στον κινητήρα ακυρώνει την έγκριση τύπου ΕΕ αυτού του προϊόντος.

## Ασφάλεια

### Ορισμοί για την ασφάλεια

Για την επισήμανση ειδικών σημαντικών τμημάτων του εγχειριδίου χρησιμοποιούνται προειδοποιήσεις, συστάσεις προσοχής και σημειώσεις.



**ΠΡΟΕΙΔΟΠΟΙΗΣΗ:** Χρησιμοποιείται όταν υπάρχει κίνδυνος τραυματισμού ή θανάτου του χειριστή ή άλλων παριστάμενων ατόμων, αν δεν τηρηθούν οι οδηγίες που παρέχονται στο εγχειρίδιο.



**ΠΡΟΣΟΧΗ:** Χρησιμοποιείται όταν υπάρχει κίνδυνος πρόκλησης ζημιάς στο προϊόν, σε άλλα υλικά ή στον παρακείμενο χώρο, αν δεν τηρηθούν οι οδηγίες που παρέχονται στο εγχειρίδιο.

**Περιεχόμενα** Χρησιμοποιείται για παροχή περισσότερων πληροφοριών, οι οποίες χρειάζονται σε μια δεδομένη κατάσταση.

### Ασφάλεια δονήσεων

Αυτό το προϊόν προορίζεται μόνο για περιστασιακή χρήση. Η συνεχής ή τακτική χρήση του προϊόντος μπορεί να προκαλέσει σύνδρομο "Ρεϊνό" ή αντίστοιχα προβλήματα υγείας λόγω των δονήσεων. Αν χρησιμοποιείτε το προϊόν συνεχώς ή τακτικά, να

εξετάζετε συχνά την κατάσταση των χεριών και των δαχτύλων σας. Αν τα χέρια ή τα δάχτυλά σας έχουν αποχρωματιστεί ή αν παρατηρήσετε πόνο, τσιμπήματα ή μούδιασμα, σταματήστε τις εργασίες και απευθυνθείτε αμέσως σε έναν γιατρό.

### Γενικές οδηγίες ασφαλείας



**ΠΡΟΕΙΔΟΠΟΙΗΣΗ:** Προτού χρησιμοποιήσετε το προϊόν, διαβάστε τις παρακάτω προειδοποιητικές οδηγίες.

- Χρησιμοποιήστε σωστά το προϊόν. Λόγω της εσφαλμένης χρήσης μπορεί να προκληθεί τραυματισμός ή θάνατος. Χρησιμοποιήστε το προϊόν μόνο για τις εργασίες που αναφέρονται στο παρόν εγχειρίδιο. Μην χρησιμοποιείτε το προϊόν για άλλες εργασίες.
- Τηρείτε τις οδηγίες του παρόντος εγχειριδίου. Τηρείτε τα σύμβολα ασφαλείας και τις οδηγίες ασφαλείας. Εάν ο χειριστής δεν τηρεί τις οδηγίες και τα σύμβολα, μπορεί να προκληθεί τραυματισμός, ζημιά ή θάνατος.
- Μην απορρίψετε αυτό το εγχειρίδιο. Χρησιμοποιήστε τις οδηγίες για τη συναρμολόγηση, τη χρήση και τη διατήρηση του προϊόντος σε καλή κατάσταση. Χρησιμοποιήστε τις οδηγίες για τη σωστή εγκατάσταση των εξαρτημάτων και των παρελκόμενων. Να χρησιμοποιείτε μόνο εγκεκριμένα εξαρτήματα και παρελκόμενα.

- Να μην χρησιμοποιείτε προϊόντα που παρουσιάζουν ζημιά. Να τηρείτε το πρόγραμμα συντήρησης. Να εκτελείτε μόνο τις εργασίες συντήρησης που αναφέρονται σε οδηγίες του παρόντος εγχειριδίου. Όλες οι υπόλοιπες εργασίες συντήρησης πρέπει να εκτελούνται από ένα εγκεκριμένο κέντρο σέρβις.
- Το παρόν εγχειρίδιο δεν περιλαμβάνει όλες τις καταστάσεις που μπορεί να προκύψουν κατά τη χρήση του προϊόντος. Να είστε προσεκτικοί και να χρησιμοποιείτε την κοινή λογική. Μην χρησιμοποιείτε το προϊόν και μην εκτελείτε συντήρηση σε αυτό, εάν δεν είστε σίγουροι για την κατάσταση. Απευθυνθείτε σε έναν ειδικό για το προϊόν, τον αντιπρόσωπό σας, τον αντιπρόσωπο σέρβις ή ένα εγκεκριμένο κέντρο σέρβις για πληροφορίες.
- Αποσυνδέστε το καλώδιο του μπουζί πριν από τη συναρμολόγηση του προϊόντος, την τοποθέτησή του στην περιοχή αποθήκευσης ή την εκτέλεση εργασιών συντήρησης.
- Μην χρησιμοποιείτε το προϊόν εάν τροποποιηθεί από τις αρχικές του προδιαγραφές. Μην αλλάξετε ένα εξάρτημα του προϊόντος χωρίς έγκριση από τον κατασκευαστή. Πρέπει να χρησιμοποιείτε μόνο εξάρτηματα εγκεκριμένα από τον κατασκευαστή. Λόγω της εσφαλμένης συντήρησης μπορεί να προκληθεί τραυματισμός ή θάνατος.
- Μην αναπνέετε τα καυσαέρια από τον κινητήρα. Η μακροχρόνια εισπνοή των αναθυμιάσεων της εξάτμισης του κινητήρα είναι επικίνδυνη για την υγεία.
- Μην θέτετε το προϊόν σε λειτουργία σε εσωτερικό χώρο ή κοντά σε εύφλεκτα υλικά. Οι αναθυμιάσεις της εξάτμισης είναι καυτές και μπορεί να περιέχουν σπινθήρες που μπορεί να προκαλέσουν πυρκαγιά. Η ανεπαρκής ροή αέρα μπορεί να προκαλέσει τραυματισμό ή θάνατο λόγω ασφυξίας ή μονοξειδίου του άνθρακα.
- Όταν χρησιμοποιείτε αυτό το προϊόν, ο κινητήρας δημιουργεί ηλεκτρομαγνητικό πεδίο. Το ηλεκτρομαγνητικό πεδίο μπορεί να προκαλέσει ζημιά στα ιατρικά εμφυτεύματα. Προτού χρησιμοποιήσετε το προϊόν, συμβουλευθείτε το γιατρό σας ή τον κατασκευαστή του ιατρικού εμφυτεύματος.
- Μην επιτρέψετε σε παιδιά να χρησιμοποιήσουν το προϊόν. Μην αφήνετε να χρησιμοποιήσουν το προϊόν άτομα που δεν γνωρίζουν τις οδηγίες.
- Φροντίστε να παρακολουθείτε πάντα τα άτομα με μειωμένες σωματικές ή διανοητικές ικανότητες που χρησιμοποιούν το προϊόν. Πρέπει να είναι παρών ένας υπεύθυνος ενήλικας ανά πάσα στιγμή.
- Ασφαλίστε το προϊόν σε σημείο στο οποίο δεν έχουν πρόσβαση παιδιά και μη εγκεκριμένα άτομα.
- Το προϊόν μπορεί να εκτινάξει αντικείμενα και να προκαλέσουν τραυματισμούς. Τηρείτε τις οδηγίες ασφαλείας για να μειώσετε τον κίνδυνο τραυματισμού ή θανάτου.
- Μην απομακρύνετε από το προϊόν όταν ο κινητήρας είναι σε λειτουργία.
- Ο χειριστής του προϊόντος είναι υπεύθυνος σε περίπτωση ατυχήματος.

- Βεβαιωθείτε ότι τα εξαρτήματα δεν έχουν υποστεί ζημιά πριν χρησιμοποιήσετε το προϊόν.
- Προτού χρησιμοποιήσετε το προϊόν, βεβαιωθείτε ότι βρισκείτε σε απόσταση τουλάχιστον 15 m (50 ft) από άλλα άτομα ή ζώα. Βεβαιωθείτε ότι τα άτομα που βρίσκονται κοντά γνωρίζουν ότι θα χρησιμοποιήσετε το προϊόν.
- Ανατρέξτε στην εθνική ή τοπική νομοθεσία. Μπορεί να εμποδίσει ή να μειώσει τη λειτουργία του προϊόντος σε ορισμένες περιπτώσεις.
- Μην χρησιμοποιείτε το προϊόν αν είστε κουρασμένοι ή υπό την επήρεια αλκοόλ, ναρκωτικών ή φαρμάκων. Μπορεί να επηρεαστεί αρνητικά η όραση, η εγρήγορση, ο συντονισμός ή η κρίση σας.

## Οδηγίες ασφαλείας για τη συναρμολόγηση



**ΠΡΟΕΙΔΟΠΟΙΗΣΗ:** Προτού χρησιμοποιήσετε το προϊόν, διαβάστε τις παρακάτω προειδοποιητικές οδηγίες.

- Αφαιρέστε το καπάκι από το μπουζί πριν από τη συναρμολόγηση του προϊόντος.
- Χρησιμοποιείτε εγκεκριμένα προστατευτικά γάντια.
- Βεβαιωθείτε ότι έχετε συναρμολογήσει σωστά το κάλυμμα και τον άξονα προτού βάλετε μπροστά τον κινητήρα.

## Οδηγίες ασφαλείας για τη λειτουργία

- Βεβαιωθείτε ότι το προϊόν είναι πλήρως συναρμολογημένο πριν από τη χρήση του.
- Πριν από την εκκίνηση, μετακινήστε το προϊόν σε απόσταση 3 m (10 ft) από το σημείο όπου γεμίσατε το ντεπόζιτο καυσίμου. Τοποθετήστε το προϊόν σε επίπεδη επιφάνεια. Βεβαιωθείτε ότι το παρελκόμενο κοπής δεν έρχεται σε επαφή με το έδαφος ή με άλλα αντικείμενα.
- Το προϊόν μπορεί να προκαλέσει την εκτίναξη αντικειμένων, τα οποία μπορούν να προκαλέσουν ζημιά στα μάτια. Χρησιμοποιήστε πάντα εγκεκριμένη προστασία των ματιών κατά τη χρήση του προϊόντος.
- Να είστε προσεκτικοί! Ένα παιδί μπορεί να πλησιάσει στο προϊόν εν αγνοία σας κατά τη διάρκεια της λειτουργίας.
- Μην χρησιμοποιείτε το προϊόν εάν υπάρχουν άτομα στο χώρο εργασίας. Σταματήστε τη λειτουργία του προϊόντος εάν ένα άτομο μπει στο χώρο εργασίας.
- Βεβαιωθείτε ότι έχετε πάντα τον έλεγχο του προϊόντος.
- Μην χρησιμοποιείτε το προϊόν εάν δεν μπορείτε να λάβετε βοήθεια σε περίπτωση ατυχήματος. Διασφαλίστε πάντα ότι τα υπόλοιπα άτομα γνωρίζουν ότι θα χρησιμοποιήσετε το προϊόν πριν ξεκινήσετε να το χρησιμοποιείτε.
- Μην γυρίζετε με το προϊόν πριν να βεβαιωθείτε ότι δεν υπάρχουν άτομα ή ζώα στην περιοχή ασφαλείας.

- Απομακρύνετε όλα τα ανεπιθύμητα υλικά από την περιοχή εργασίας πριν ξεκινήσετε. Εάν το παρελκόμενο κοπής χτυπήσει κάποιο αντικείμενο, το αντικείμενο μπορεί να εκτιναχθεί και να προκληθεί τραυματισμός ή ζημιά. Γύρω από το παρελκόμενο κοπής μπορεί να τυλιχθεί ανεπιθύμητο υλικό και να προκαλέσει ζημιά.
- Μην χρησιμοποιείτε το προϊόν σε κακές καιρικές συνθήκες (ομίχλη, βροχή, ισχυρούς ανέμους, κίνδυνο κεραυνού ή άλλες καιρικές συνθήκες). Μπορεί να προκύψουν επικίνδυνες συνθήκες (όπως ολισθηρές επιφάνειες) λόγω κακοκαιρίας.
- Φροντίστε να είστε σε θέση να μετακινήσετε ελεύθερα και να εργάζεστε σε σταθερή θέση.

(Εικ. 17)

- Βεβαιωθείτε ότι δεν μπορείτε να πέσετε όταν χρησιμοποιείτε το προϊόν. Μην γέρνετε όταν χρησιμοποιείτε το προϊόν.
- Κρατάτε πάντα το προϊόν και με τα δύο σας χέρια. Να κρατάτε το προϊόν στη δεξιά πλευρά του σώματός σας.

(Εικ. 18)

- Χρησιμοποιήστε το προϊόν με το παρελκόμενο κοπής κάτω από τη μέση σας.
- Εάν το χειριστήριο τσοκ βρίσκεται στη θέση του τσοκ κατά την εκκίνηση του κινητήρα, το παρελκόμενο κοπής αρχίζει να περιστρέφεται.
- Μην αγγίζετε το κωνικό γρανάζι μετά το σβήσιμο του κινητήρα. Το κωνικό γρανάζι είναι καυτό μετά το σβήσιμο του κινητήρα. Οι καυτές περιοχές μπορεί να προκαλέσουν τραυματισμό.
- Σβήστε τον κινητήρα πριν μετακινήσετε το προϊόν.
- Μην ακουμπάτε το προϊόν με τον κινητήρα σε λειτουργία.
- Πριν απομακρύνετε τα ανεπιθύμητα υλικά από το προϊόν, σβήστε τον κινητήρα και περιμένετε μέχρι να σταματήσει το παρελκόμενο κοπής να σταματήσει προτού το κομμένο υλικό να απομακρυνθεί από εσάς ή ένα βοηθό.

## Προσωπικός εξοπλισμός προστασίας



**ΠΡΟΕΙΔΟΠΟΙΗΣΗ:** Προτού χρησιμοποιήσετε το προϊόν, διαβάστε τις παρακάτω προειδοποιητικές οδηγίες.

- Χρησιμοποιείτε πάντα σωστό προσωπικό εξοπλισμό προστασίας κατά τη χρήση του προϊόντος. Ο προσωπικός εξοπλισμός προστασίας δεν εξαλείφει τον κίνδυνο τραυματισμού. Ο προσωπικός εξοπλισμός προστασίας μειώνει το βαθμό τραυματισμού σε περίπτωση ατυχήματος.
- Χρησιμοποιήστε πάντα εγκεκριμένη προστασία των ματιών κατά τη χρήση του προϊόντος.
- Μην χρησιμοποιείτε το προϊόν με γυμνά πόδια ή με ανοικτά παπούτσια. Χρησιμοποιήστε πάντοτε αντιολισθητικές μπότες βαρέως τύπου.
- Χρησιμοποιήστε χοντρά, μακριά παντελόνια.

- Εάν είναι απαραίτητο, χρησιμοποιήστε εγκεκριμένα προστατευτικά γάντια.
- Χρησιμοποιήστε κράνος εάν υπάρχει πιθανότητα να πέσουν αντικείμενα στο κεφάλι σας.
- Χρησιμοποιήστε πάντα εγκεκριμένη προστασία αυτιών κατά τη χρήση του προϊόντος. Τυχόν θόρυβος για μεγάλο χρονικό διάστημα μπορεί να προκαλέσει θορυβογενή απώλεια ακοής.
- Βεβαιωθείτε ότι υπάρχει ένα κιτ πρώτων βοηθειών σε μικρή απόσταση.

## Συσκευές ασφαλείας στο προϊόν



**ΠΡΟΕΙΔΟΠΟΙΗΣΗ:** Προτού χρησιμοποιήσετε το προϊόν, διαβάστε τις παρακάτω προειδοποιητικές οδηγίες.

- Μην χρησιμοποιείτε ποτέ το προϊόν, αν υπάρχουν ελαττωματικές συσκευές ασφαλείας.
- Πρέπει να κάνετε τακτικά έλεγχο των συσκευών ασφαλείας. Ανατρέξτε στην ενότητα *Επισκόπηση προϊόντος στη σελίδα 83*.
- Αν οι συσκευές ασφαλείας είναι ελαττωματικές, απευθυνθείτε στον αντιπρόσωπο σέρβις της Husqvarna.

## Ασφάλεια σκανδάλης γκαζιού

Η ασφάλεια της σκανδάλης γκαζιού κλειδώνει τη σκανδάλη γκαζιού.

(Εικ. 19)

Πιέστε την ασφάλεια σκανδάλης γκαζιού (A) για να απασφαλίσετε τη σκανδάλη γκαζιού (B). Όταν αφήσετε τη λαβή, η ασφάλεια σκανδάλης γκαζιού και η σκανδάλη γκαζιού επιστρέφουν στις αρχικές τους θέσεις.

1. Βεβαιωθείτε ότι η σκανδάλη γκαζιού (B) είναι ασφαλισμένη στο ρελαντί όταν αφήνετε την ασφάλεια σκανδάλης γκαζιού (A).
2. Πιέστε την ασφάλεια σκανδάλης γκαζιού (A) και βεβαιωθείτε ότι επιστρέφει στην αρχική της θέση όταν την αφήνετε.
3. Πιέστε τη σκανδάλη γκαζιού (B) και βεβαιωθείτε ότι επιστρέφει στην αρχική της θέση όταν την αφήνετε.

Βάλτε μπροστά τον κινητήρα και κατόπιν ανοίξτε τέρμα το γκάζι. Αφήστε τη σκανδάλη γκαζιού και ελέγξτε εάν σταματά το παρελκόμενο κοπής. Εάν το παρελκόμενο κοπής περιστρέφεται με το γκάζι στη θέση ρελαντί, εξετάστε τη βίδα ρύθμισης ρελαντί του καρμπυρατέρ.

## Διακόπτης διακοπής λειτουργίας

Βάλτε μπροστά τον κινητήρα. Βεβαιωθείτε ότι ο κινητήρας σβήνει όταν μετακινείτε το διακόπτη λειτουργίας στη θέση διακοπής λειτουργίας.

(Εικ. 20)

## Προστατευτικό παρελκόμενου κοπής

Το προστατευτικό παρελκόμενου κοπής εμποδίζει την εκτίναξη σκόρπιων αντικειμένων προς την κατεύθυνση του χειριστή.  
(Εικ. 21)

Εξετάστε το προστατευτικό παρελκόμενου κοπής για ζημιά και αντικαταστήστε το, εάν έχει υποστεί ζημιά. Χρησιμοποιήστε μόνο το εγκεκριμένο προστατευτικό για το παρελκόμενο κοπής.

## Εξάτμιση (σιγαστήρας)

- Μην χρησιμοποιείτε κινητήρα με κατεστραμμένη εξάτμιση (σιγαστήρας). Η κατεστραμμένη εξάτμιση (σιγαστήρας) αυξάνει το επίπεδο θορύβου και τον κίνδυνο φωτιάς. Πρέπει να υπάρχει σε μικρή απόσταση πυροσβεστήρας.
- Εξετάζετε τακτικά ότι η εξάτμιση (σιγαστήρας) είναι προσαρτημένη στο προϊόν.
- Μην αγγίζετε τον κινητήρα ή την εξάτμιση (σιγαστήρας) όταν ο κινητήρας είναι σε λειτουργία. Μην αγγίζετε τον κινητήρα ή την εξάτμιση (σιγαστήρας) για ένα διάστημα μετά το σβήσιμο του κινητήρα. Οι καυτές επιφάνειες μπορεί να προκαλέσουν τραυματισμούς.
- Η καυτή εξάτμιση (σιγαστήρας) μπορεί να προκαλέσει πυρκαγιά. Να είστε προσεκτικοί εάν χρησιμοποιείτε το προϊόν κοντά σε εύφλεκτα υγρά ή αέρια.
- Μην αγγίζετε τα εξαρτήματα στην εξάτμιση (σιγαστήρας), εάν η εξάτμιση έχει υποστεί ζημιά. Τα εξαρτήματα μπορεί να περιέχουν μερικές καρκινογόνες χημικές ουσίες.

## Παρελκόμενο κοπής



**ΠΡΟΕΙΔΟΠΟΙΗΣΗ:** Προτού χρησιμοποιήσετε το προϊόν, διαβάστε τις παρακάτω προειδοποιητικές οδηγίες.

- Εκτελείτε τις τακτικές εργασίες συντήρησης. Ένα εγκεκριμένο κέντρο σέρβις πρέπει να εξετάζει τακτικά το παρελκόμενο κοπής για την εκτέλεση ρυθμίσεων ή επισκευών.
  - Αυξάνεται η απόδοση του παρελκόμενου κοπής.
  - Αυξάνεται η διάρκεια ζωής του παρελκόμενου κοπής.
  - Μειώνεται ο κίνδυνος ατυχημάτων.
- Χρησιμοποιήστε μόνο εγκεκριμένο προστατευτικό παρελκόμενου κοπής. Για περισσότερες πληροφορίες, βλ. *Αξεσουάρ στη σελίδα 95*.
- Μην χρησιμοποιείτε παρελκόμενα κοπής που παρουσιάζουν ζημιά.

## Ασφάλεια καυσίμου



**ΠΡΟΕΙΔΟΠΟΙΗΣΗ:** Προτού χρησιμοποιήσετε το προϊόν, διαβάστε τις παρακάτω προειδοποιητικές οδηγίες.

- Μην αναμειγνύετε το καύσιμο σε εσωτερικούς χώρους ή κοντά σε πηγή θερμότητας.
- Μην θέτετε το προϊόν σε λειτουργία, εάν υπάρχει καύσιμο ή λάδι κινητήρα στο προϊόν. Αφαιρέστε το ανεπιθύμητο καύσιμο/λάδι και αφήστε το προϊόν να στεγνώσει. Αφαιρέστε το ανεπιθύμητο καύσιμο από το προϊόν.
- Εάν χύσετε καύσιμο στα ρούχα σας, αλλάξτε τα αμέσως.
- Μην χύσετε καύσιμο στο σώμα σας, καθώς μπορεί να προκληθεί τραυματισμός. Εάν χύσετε καύσιμο στο σώμα σας, χρησιμοποιήστε σαπουνόνερο για να αφαιρέσετε το καύσιμο.
- Μην βάλτε μπροστά τον κινητήρα εάν χύσετε λάδι ή καύσιμο στο προϊόν ή στο σώμα σας.
- Μην θέσετε το προϊόν σε λειτουργία, εάν ο κινητήρας έχει διαρροή. Εξετάζετε τακτικά τον κινητήρα για διαρροές.
- Να είστε προσεκτικοί με το καύσιμο. Το καύσιμο είναι εύφλεκτο και οι αναθυμιάσεις είναι εκρηκτικές και μπορούν να προκαλέσουν τραυματισμό ή θάνατο.
- Μην εισπνεύσετε τις αναθυμιάσεις καυσίμου, καθώς μπορεί να προκληθεί τραυματισμός. Βεβαιωθείτε ότι υπάρχει επαρκής ροή αέρα.
- Μην καπνίζετε κοντά στο καύσιμο ή τον κινητήρα.
- Μην τοποθετείτε ζεστά αντικείμενα κοντά στο καύσιμο ή τον κινητήρα.
- Μην προσθέτετε καύσιμο όταν λειτουργεί ο κινητήρας.
- Βεβαιωθείτε ότι ο κινητήρας έχει κρυώσει πριν από τον ανεφοδιασμό.
- Πριν από τον ανεφοδιασμό, ανοίξτε αργά την τάπα του νεπετόζιτου καυσίμου και εκτονώστε προσεκτικά την πίεση.
- Μην προσθέτετε καύσιμο στον κινητήρα σε εσωτερικό χώρο. Η ανεπαρκής ροή αέρα μπορεί να προκαλέσει τραυματισμό ή θάνατο λόγω ασφυξίας ή μονοξειδίου του άνθρακα.
- Σφίξτε προσεκτικά την τάπα του νεπετόζιτου καυσίμου, διαφορετικά μπορεί να προκληθεί πυρκαγιά.
- Πριν από την εκκίνηση, μετακινήστε το προϊόν σε απόσταση τουλάχιστον 3 m (10 ft) από το σημείο όπου γεμίσατε το νεπετόζιτο.
- Μην προσθέτετε υπερβολική ποσότητα καυσίμου στο νεπετόζιτο καυσίμου.
- Βεβαιωθείτε ότι δεν μπορεί να προκληθεί διαρροή όταν μετακινείτε το προϊόν ή το δοχείο καυσίμου.
- Μην τοποθετείτε το προϊόν ή ένα δοχείο καυσίμου όπου υπάρχουν ακάλυπτες φλόγες, σπινθήρες ή φλόγιστρα. Βεβαιωθείτε ότι στην περιοχή αποθήκευσης δεν υπάρχουν ακάλυπτες φλόγες.
- Χρησιμοποιήστε μόνο εγκεκριμένα δοχεία όταν μετακινείτε το καύσιμο ή προσθέτετε το καύσιμο στην περιοχή αποθήκευσης.
- Αδειάζετε το νεπετόζιτο καυσίμου πριν από μακροχρόνια αποθήκευση. Τηρείτε την τοπική

νομοθεσία σχετικά με την περιοχή απόρριψης καυσιμίων.

- Καθαρίζετε το προϊόν πριν από μακροχρόνια αποθήκευση.
- Αφαιρέστε το καλώδιο του μπουζί πριν να τοποθετήσετε το προϊόν στην περιοχή αποθήκευσης, για να βεβαιωθείτε ότι ο κινητήρας δεν θα εκκινηθεί ακούσια.

## Οδηγίες ασφαλείας για τη συντήρηση



**ΠΡΟΕΙΔΟΠΟΙΗΣΗ:** Προτού εκτελέσετε εργασίες συντήρησης στο προϊόν, διαβάστε τις παρακάτω προειδοποιητικές οδηγίες.

- Πρέπει να εκτελείτε μόνο τη συντήρηση και το σέρβις που περιγράφονται σε αυτό το εγχειρίδιο χρήσης.

Όλες οι υπόλοιπες εργασίες σέρβις και επισκευών πρέπει να ανατίθενται σε επαγγελματικό προσωπικό για το σέρβις.

- Φροντίστε να εκτελείτε τακτικά τους ελέγχους ασφαλείας και τη συντήρηση και να ακολουθείτε τις οδηγίες για το σέρβις που παρέχονται στο παρόν εγχειρίδιο. Η τακτική συντήρηση αυξάνει τη διάρκεια ζωής του προϊόντος και μειώνει τον κίνδυνο ατυχημάτων. Για οδηγίες, ανατρέξτε στην ενότητα *Πρόγραμμα συντήρησης στη σελίδα 91*.
- Αν τα αποτελέσματα των ελέγχων ασφαλείας που περιγράφονται σε αυτό το εγχειρίδιο χρήσης δεν είναι τα εγκεκριμένα, απευθυνθείτε στον αντιπρόσωπο σέρβις. Εγγυόμαστε ότι υπάρχει δυνατότητα επαγγελματικής επισκευής και σέρβις για το προϊόν σας.

## Συναρμολόγηση

### Εισαγωγή



**ΠΡΟΕΙΔΟΠΟΙΗΣΗ:** Προτού συναρμολογήσετε το προϊόν, πρέπει να διαβάσετε και να κατανοήσετε το κεφάλαιο για την ασφάλεια.



**ΠΡΟΕΙΔΟΠΟΙΗΣΗ:** Αφαιρέστε το καλώδιο του μπουζί από το μπουζί πριν τη συναρμολόγηση του προϊόντος.

### Για τη συναρμολόγηση της χειρολαβής τύπου βρόγχου

1. Τοποθετήστε τη χειρολαβή τύπου βρόγχου ανάμεσα στα βέλη στον άξονα.
2. Σφίξτε τη βίδα για να προσαρτήσετε τη χειρολαβή τύπου βρόγχου στον άξονα. (Εικ. 22)

### Για να συναρμολογήσετε το παρελκόμενο κοπής

#### Συναρμολόγηση του προστατευτικού του παρελκόμενου κοπής

1. Τοποθετήστε το προστατευτικό του παρελκόμενου κοπής (A) επάνω στον άξονα. (Εικ. 23)

2. Τοποθετήστε το μπρακέτο (B) στην εγκοπή επάνω στο προστατευτικό του παρελκόμενου κοπής.
3. Περάστε τη βίδα (C) μέσα από την οπή στο μπρακέτο του προστατευτικού του παρελκόμενου κοπής.

#### Τοποθέτηση της κεφαλής χορτοκοπτικού

1. Βεβαιωθείτε ότι το προστατευτικό του παρελκόμενου κοπής (A) είναι τοποθετημένο στο προϊόν. Ανατρέξτε στην ενότητα *Συναρμολόγηση του προστατευτικού του παρελκόμενου κοπής στη σελίδα 88*. (Εικ. 24)
2. Βεβαιωθείτε ότι ο δίσκος μετάδοσης (C) είναι τοποθετημένος στον άξονα εξαγωγής (D).
3. Τοποθετήστε το κλειδί Torx (B) στην οπή για να ασφαλίσετε τον άξονα.
4. Τοποθετήστε τη κεφαλή του χορτοκοπτικού (E) στον άξονα εξαγωγής.
5. Περιστρέψτε την κεφαλή του χορτοκοπτικού προς τα αριστερά για να τη σφίξετε στον άξονα εξαγωγής. (Εικ. 25)
6. Αφαιρέστε το κλειδί Torx.

## Λειτουργία

### Εισαγωγή



**ΠΡΟΕΙΔΟΠΟΙΗΣΗ:** Προτού χρησιμοποιήσετε το προϊόν, πρέπει να διαβάσετε και να κατανοήσετε το κεφάλαιο για την ασφάλεια.

### Καύσιμο

Αυτό το προϊόν διαθέτει δίχρονο κινητήρα.



**ΠΡΟΣΟΧΗ:** Τα καύσιμα εσφαλμένου τύπου μπορεί να προκαλέσουν ζημιά στον



κινητήρα. Χρησιμοποιήστε μείγμα βενζίνης και λαδιού για δίχρονους κινητήρες.

## Προαναμεμιγμένο καύσιμο

- Για βέλτιστη απόδοση και παράταση της διάρκειας ζωής του κινητήρα, χρησιμοποιήστε προαναμεμιγμένο αλκυλιωμένο καύσιμο καλής ποιότητας της Husqvarna. Αυτό το καύσιμο περιέχει λιγότερα επιβλαβή χημικά σε σύγκριση με τα κανονικά καύσιμα, με αποτέλεσμα να μειώνονται οι επιβλαβείς αναθυμιάσεις της εξάτμισης. Η ποσότητα των καταλοίπων της καύσης είναι χαμηλότερη με αυτό το καύσιμο, το οποίο προστατεύει τα εξαρτήματα του κινητήρα και τα διατηρεί πιο καθαρά.

## Ανάμειξη του καυσίμου

### Βενζίνη



**ΠΡΟΣΟΧΗ:** Μην χρησιμοποιείτε βενζίνη με αριθμό οκτανίων κάτω από 90 RON (87 AKI). Μπορεί να προκληθεί ζημιά στο προϊόν.



**ΠΡΟΣΟΧΗ:** Μην χρησιμοποιείτε βενζίνη με συγκέντρωση αιθανόλης πάνω από 10% (E10). Μπορεί να προκληθεί ζημιά στο προϊόν.

- Χρησιμοποιήστε πάντα καινούργια αμόλυβδη βενζίνη με ελάχιστο αριθμό οκτανίων 90 RON (87 AKI) και με συγκέντρωση αιθανόλης κάτω από 10% (E10).
- Χρησιμοποιήστε βενζίνη με υψηλότερο αριθμό οκτανίων εάν χρησιμοποιείτε συχνά το προϊόν συνεχώς σε υψηλές στροφές ανά λεπτό (σ.α.λ) του κινητήρα.

### Λάδι για δίχρονους κινητήρες

- Για καλύτερα αποτελέσματα και υψηλότερη απόδοση, χρησιμοποιήστε λάδι Husqvarna για δίχρονους κινητήρες.
- Εάν το λάδι για δίχρονους κινητήρες της Husqvarna δεν είναι διαθέσιμο, χρησιμοποιήστε διαφορετικό λάδι καλής ποιότητας για αερόψυκτους κινητήρες. Για την επιλογή του σωστού λαδιού, απευθυνθείτε στον αντιπρόσωπο σέρβις.



**ΠΡΟΣΟΧΗ:** Μην χρησιμοποιείτε λάδι για δίχρονους υδρόψυκτους εξωλέμβιους κινητήρες, το οποίο αναφέρεται επίσης ως λάδι για εξωλέμβιες. Μην χρησιμοποιείτε λάδι για τετράχρονους κινητήρες.

## Για να αναμίξετε βενζίνη και λάδι για δίχρονους κινητήρες

Βενζίνη, λίτρα	Λάδι για δίχρονους κινητήρες, λίτρα
	<b>2% (50:1)</b>
5	0,10
10	0,20
15	0,30
20	0,40



**ΠΡΟΣΟΧΗ:** Μικρά λάθη μπορεί να επηρεάσουν δραστικά την αναλογία του μείγματος κατά τη ανάμειξη μικρών ποσοτήτων καυσίμου. Μετρήστε προσεκτικά την ποσότητα του λαδιού και βεβαιωθείτε ότι το μείγμα που προκύπτει είναι σωστό.

(Εικ. 26)

- Ρίξτε σε ένα καθαρό δοχείο για καύσιμα τη μισή ποσότητα της βενζίνης.
- Προσθέστε ολόκληρη την ποσότητα λαδιού.
- Ανακινήστε το μίγμα καυσίμου.
- Προσθέστε στο δοχείο την υπόλοιπη ποσότητα της βενζίνης.
- Ανακινήστε προσεκτικά το μείγμα καυσίμου.



**ΠΡΟΣΟΧΗ:** Μην αναμινγύετε καύσιμα για περισσότερο από 1 μήνα κάθε φορά.

## Για να προσθέσετε καύσιμο

- Χρησιμοποιήστε πάντοτε δοχείο καυσίμου με βαλβίδα προστασίας από διαρροές.
- Εάν υπάρχει καύσιμο στο δοχείο, αφαιρέστε το ανεπιθύμητο καύσιμο και αφήστε το δοχείο να στεγνώσει.
- Βεβαιωθείτε ότι η περιοχή κοντά στην τάπα του νετεπόζιτου καυσίμου είναι καθαρή.
- Ανακινήστε καλά το δοχείο καυσίμου πριν προσθέσετε το μείγμα καυσίμου στο νετεπόζιτο καύσιμου.

## "Στρώνισμο"

- Κατά τις πρώτες 10 ώρες λειτουργίας, μην ανοίγετε πλήρως το γκάζι χωρίς φορτίο για παρατεταμένες χρονικές περιόδους.

## Για εκκίνηση και σταμάτημα

### Έλεγχος πριν από την εκκίνηση

1. Βεβαιωθείτε ότι το προϊόν δεν έχει κάποιο εξάρτημα που λείπει, έχει υποστεί ζημιά, έχει βγει από τη θέση του ή εμφανίζει φθορά.
2. Βεβαιωθείτε ότι τα παξιμάδια και οι βίδες είναι σφιγμένα.
3. Βεβαιωθείτε ότι η κεφαλή του χορτοκοπτικού δεν έχει υποστεί ζημιά.
4. Βεβαιωθείτε ότι το φίλτρο αέρα δεν είναι φραγμένο.
5. Βεβαιωθείτε ότι οι συσκευές ασφαλείας στο προϊόν δεν είναι ελαττωματικές.
6. Βεβαιωθείτε ότι το προϊόν δεν έχει διαρροή καυσίμου.

### Εκκίνηση με κρύο κινητήρα

1. Πιέστε τη φούσκα της χειροκίνητης αντλίας καυσίμου (πουάρ) 10 φορές. (Εικ. 27)
2. Τραβήξτε προς τα πάνω το χειριστήριο του τσοκ. (Εικ. 28)
3. Κρατήστε το σώμα του προϊόντος στο έδαφος με το αριστερό σας χέρι. (Εικ. 29) Μην πατάτε επάνω στο προϊόν. Τραβήξτε αργά τη λαβή του κορδονιού της μίζας μέχρι να αισθανθείτε αντίσταση. Στη συνέχεια, τραβήξτε δυνατά τη λαβή του κορδονιού της μίζας.

**Περιεχόμενα** Μην τραβάτε τη σκανδάλη γκαζιού ενώ προσπαθείτε να βάλετε μπροστά τον κινητήρα.

4. Συνεχίστε να τραβάτε τη λαβή του κορδονιού της μίζας μέχρι την εκκίνηση ή την απόπειρα εκκίνησης του κινητήρα (έως 3 τραβήγματα). Εάν ο κινητήρας εκκινήσει ή προσπαθεί να εκκινήσει, πιέστε το χειριστήριο τσοκ προς τα κάτω. Συνεχίστε να τραβάτε μέχρι να εκκινήσει ο κινητήρας. Περιμένετε 60 δευτερόλεπτα μετά από την εκκίνηση, πριν τραβήξετε τη σκανδάλη γκαζιού.



**ΠΡΟΣΟΧΗ:** Μην τραβήξετε το κορδόνι της μίζας μέχρι να σβήσει. Μην αφήσετε το κορδόνι της μίζας όταν εκταθεί πλήρως. Αφήστε αργά το κορδόνι της μίζας. Εάν δεν τηρήσετε αυτές τις οδηγίες, μπορεί να προκληθεί ζημιά στον κινητήρα.

### Για εκκίνηση με ζεστό κινητήρα

1. Πιέστε τη φούσκα της χειροκίνητης αντλίας καυσίμου (πουάρ) 10 φορές.
2. Τραβήξτε το κορδόνι της μίζας μέχρι να εκκινήσει ο κινητήρας.

### Εκκίνηση του κινητήρα όταν το καύσιμο είναι υπερβολικά ζεστό

Εάν το προϊόν δεν ξεκινάει, το καύσιμο μπορεί να είναι υπερβολικά ζεστό.

**Περιεχόμενα** Να χρησιμοποιείτε πάντα νέα καύσιμα και μειώνετε το χρόνο λειτουργίας όταν ο καιρός είναι ζεστός.

1. Τοποθετήστε το προϊόν σε δροσερό χώρο μακριά από την ηλιακή ακτινοβολία.
2. Αφήστε το προϊόν να κρυώσει για 20 λεπτά τουλάχιστον.
3. Πιέστε επανειλημμένα τη φούσκα της χειροκίνητης αντλίας καυσίμου (πουάρ) για 10-15 δευτερόλεπτα.
4. Ακολουθήστε τη διαδικασία εκκίνησης με κρύο κινητήρα. Ανατρέξτε στην ενότητα *Εκκίνηση με κρύο κινητήρα στη σελίδα 90*.

### Για να διακόψετε τη λειτουργία

- Πιέστε τον διακόπτη λειτουργίας για να σβήσετε τον κινητήρα. (Εικ. 30)

**Περιεχόμενα** Ο διακόπτης διακοπής λειτουργίας επιστρέφει αυτόματα στην αρχική του θέση.

### Για λειτουργία του χορτοκοπτικού



**ΠΡΟΣΟΧΗ:** Βεβαιωθείτε ότι επιβραδύνετε τον κινητήρα στις στροφές ανά λεπτό ρελαντί μετά από κάθε εργασία. Σε περίπτωση μεγάλου διαστήματος με τέρμα το γκάζι χωρίς φορτίο στον κινητήρα, μπορεί να προκληθεί ζημιά στον κινητήρα.

**Περιεχόμενα** Καθαρίστε το κάλυμμα της κεφαλής χορτοκοπτικού κατά την προεργασία καινούργιας μεσινέζας χορτοκοπτικού, για να αποφύγετε κραδασμούς. Ελέγξτε τα υπόλοιπα μέρη της κεφαλής χορτοκοπτικού και καθαρίστε τα, εάν είναι απαραίτητα.

### Για ξάκρισμα του γρασιδιού

1. Κρατήστε την κεφαλή χορτοκοπτικού ακριβώς πάνω από το έδαφος, υπό γωνία. Μην πιέσετε τη μεσινέζα του χορτοκοπτικού στο γρασίδι. (Εικ. 31)
2. Μειώστε το μήκος της μεσινέζας του χορτοκοπτικού κατά 10-12 cm/4-4,75 in.
3. Μειώστε τις στροφές του κινητήρα για να μειώσετε τον κίνδυνο πρόκλησης ζημιάς στα φυτά.
4. Όταν κόβετε γρασίδι κοντά σε αντικείμενα, πρέπει να ρυθμίσετε το γκάζι στο 80%. (Εικ. 32)

### Για κοπή του γρασιδιού

1. Βεβαιωθείτε ότι η μεσινέζα χορτοκοπτικού είναι παράλληλη προς το έδαφος κατά τη διάρκεια της κοπής. (Εικ. 33)
2. Μην πιέσετε την κεφαλή χορτοκοπτικού στο έδαφος. Μπορεί να προκληθεί ζημιά στο έδαφος και το προϊόν.

- Μην αφήνετε την κεφαλή χορτοκοπτικού να έρχεται συνεχώς σε επαφή με το έδαφος, καθώς μπορεί να προκληθεί ζημιά σε αυτήν.
- Ρυθμίστε τέρμα το γκάζι όταν μετακινείτε το προϊόν από τη μία πλευρά στην άλλη για να κόψετε το γρασίδι. Βεβαιωθείτε ότι η μεσινέζα χορτοκοπτικού βρίσκεται παράλληλα με το έδαφος. (Εικ. 34)

## Κεφαλή χορτοκοπτικού

- Βεβαιωθείτε ότι τυλίγετε τη μεσινέζα χορτοκοπτικού σφίχτα και ομοιόμορφα γύρω από την καμπίνα, για να μειώσετε τους κραδασμούς.
- Χρησιμοποιήστε μόνο εγκεκριμένες κεφαλές χορτοκοπτικού και μεσινέζες χορτοκοπτικού. Ανατρέξτε στην ενότητα *Αξεσουάρ στη σελίδα 95*.
- Χρησιμοποιήστε το σωστό μήκος μεσινέζας χορτοκοπτικού. Η μεσινέζα χορτοκοπτικού για ψηλό γρασίδι χρησιμοποιεί περισσότερη ισχύ κινητήρα σε σύγκριση με μια μεσινέζα χορτοκοπτικού για κοντό γρασίδι.

- Βεβαιωθείτε ότι το κοπτικό εργαλείο στο προστατευτικό παρελκόμενου κοπής δεν έχει υποστεί ζημιά.
- Εμπροτίστε τη μεσινέζα χορτοκοπτικού σε νερό για 2 ημέρες πριν την προσαρτήσετε στο προϊόν. Αυτό αυξάνει τη διάρκεια ζωής της μεσινέζας χορτοκοπτικού.

## Για να αντικαταστήσετε τη μεσινέζα του χορτοκοπτικού

- (Εικ. 35)  
(Εικ. 36)  
(Εικ. 37)  
(Εικ. 38)  
(Εικ. 39)  
(Εικ. 40)  
(Εικ. 41)  
(Εικ. 42)

## Συντήρηση

### Εισαγωγή



**ΠΡΟΕΙΔΟΠΟΙΗΣΗ:** Πρωτού εκτελέσετε εργασίες συντήρησης, πρέπει να διαβάσετε και να κατανοήσετε το κεφάλαιο για την ασφάλεια.

Για όλες τις εργασίες συντήρησης και επισκευής στο προϊόν, είναι απαραίτητη ειδική εκπαίδευση. Μπορούμε να εγγυηθούμε για τη διαθεσιμότητα των επαγγελματικών επισκευών και τη συντήρηση. Αν ο αντιπρόσωπός σας δεν είναι αντιπρόσωπος σέρβις, μιλήστε του για πληροφορίες σχετικά με τον πλησιέστερο αντιπρόσωπο σέρβις.

## Πρόγραμμα συντήρησης

### Εβδομαδιαία συντήρηση

- Καθαρίστε τις εξωτερικές επιφάνειες.
- Βεβαιωθείτε ότι το παρελκόμενο κοπής δεν μετακινείται όταν το μηχάνημα λειτουργεί στο ρελαντί. Ανατρέξτε στην ενότητα *Για να ρυθμίσετε τις στροφές ανά λεπτό ρελαντί στη σελίδα 91*.
- Ελέγξτε τη στάθμη του γράσου στο κωνικό γρανάζι. Ανατρέξτε στην ενότητα *Για να προσθέσετε γράσο στο κωνικό γρανάζι στη σελίδα 92*.

### Μηνιαία συντήρηση

- Βεβαιωθείτε ότι η λαβή του σχοινιού εκκίνησης και το σχοινί εκκίνησης δεν έχουν υποστεί ζημιά.

### Ετήσια συντήρηση

- Εξετάστε το μπουζι. Ανατρέξτε στην ενότητα *Για να εξετάσετε το μπουζι στη σελίδα 92*
- Καθαρίστε τις εξωτερικές επιφάνειες του καρμπυρατέρ και τις γειτονικές περιοχές.

- Καθαρίστε το σύστημα ψύξης.
- Εξετάστε το πλέγμα της φλογοπαγίδας. Ανατρέξτε στην ενότητα *Για εκτέλεση εργασιών συντήρηση στο πλέγμα φλογοπαγίδας στη σελίδα 91*.
- Εξετάστε το φίλτρο καυσίμου.
- Βεβαιωθείτε ότι ο σωλήνας καυσίμου δεν έχει υποστεί ζημιά.
- Βεβαιωθείτε ότι τα καλώδια και οι συνδέσεις στο προϊόν δεν έχουν υποστεί ζημιά.

## Για να ρυθμίσετε τις στροφές ανά λεπτό ρελαντί

- Βεβαιωθείτε ότι το φίλτρο αέρα είναι καθαρό και ότι το κάλυμμα φίλτρου αέρα είναι προσαρτημένο, πριν από τη ρύθμιση των στροφών ανά λεπτό ρελαντί.
  - Ρυθμίστε τις στροφές του ρελαντί με τη βίδα ρύθμισης του ρελαντί T, η οποία αναγνωρίζεται από την ένδειξη "T".
  - Οι στροφές ανά λεπτό ρελαντί είναι σωστές όταν ο κινητήρας λειτουργεί ομαλά σε όλες τις θέσεις. Οι στροφές ανά λεπτό ρελαντί πρέπει να είναι κάτω από τις στροφές που παρατηρούνται τη στιγμή που το παρελκόμενο κοπής αρχίζει να γυρίζει.
- Γυρίστε τη βίδα ρύθμισης ρελαντί προς τα δεξιά μέχρι το παρελκόμενο κοπής να αρχίσει να γυρίζει. (Εικ. 43)
  - Γυρίστε τη βίδα ρύθμισης ρελαντί προς τα αριστερά μέχρι το παρελκόμενο κοπής να σταματήσει.

## Για εκτέλεση εργασιών συντήρηση στο πλέγμα φλογοπαγίδας

Χρησιμοποιήστε συρματόβουρτσα για να καθαρίσετε το πλέγμα της φλογοπαγίδας.

(Εικ. 44)

## Για να καθαρίσετε το σύστημα ψύξης

Καθαρίστε τα εξαρτήματα του συστήματος ψύξης με μια βούρτσα.

(Εικ. 45)

## Για να εξετάσετε το μπουζί



**ΠΡΟΣΟΧΗ:** Χρησιμοποιήστε το συνιστώμενο μπουζί. Βεβαιωθείτε ότι το ανταλλακτικό είναι το ίδιο με το εξάρτημα που παρέχεται από τον κατασκευαστή. Ένα ακατάλληλο μπουζί μπορεί να προκαλέσει ζημιά στο προϊόν.

- Εξετάστε το μπουζί όταν:
  - Ο κινητήρας έχει χαμηλή ισχύ.
  - Ο κινητήρας δεν εκκινείται εύκολα.
  - Ο κινητήρας δεν λειτουργεί σωστά στις στροφές ανά λεπτό ρελαντί.
- Εάν ο κινητήρας δεν εκκινείται εύκολα ή δεν λειτουργεί, εξετάστε το μπουζί για ανεπιθύμητα υλικά. Για να μειώσετε τον κίνδυνο ανεπιθύμητου υλικού στα ηλεκτρόδια του μπουζί:
  - Βεβαιωθείτε ότι οι στροφές ανά λεπτό ρελαντί έχουν ρυθμιστεί σωστά.
  - Βεβαιωθείτε ότι το μείγμα καυσίμου είναι σωστό.
  - Βεβαιωθείτε ότι το φίλτρο αέρα είναι καθαρό.
- Καθαρίστε το μπουζί, εάν είναι βρόμικο. Ελέγξτε ότι το διάκενο ηλεκτροδίου είναι σωστό. (Εικ. 46)
- Αντικαταστήστε το μπουζί όταν είναι απαραίτητο.

## Για εκτέλεση εργασιών συντήρησης στο φίλτρο αέρα

### Για να καθαρίσετε το φίλτρο αέρα

- Αφαιρέστε το κάλυμμα του φίλτρου αέρα και το φίλτρο αέρα. (Εικ. 47)
- Καθαρίστε το φίλτρο αέρα με ζεστό σαπουνόνερο. Βεβαιωθείτε ότι το φίλτρο αέρα είναι στεγνό πριν να το εγκαταστήσετε.

- Αντικαταστήστε το φίλτρο αέρα εάν είναι πολύ βρόμικο για να καθαριστεί πλήρως. Πρέπει πάντα να αντικαθιστάτε το φίλτρο αέρα, εάν έχει υποστεί ζημιά.
- Εάν το προϊόν σας διαθέτει αφρώδες φίλτρο αέρα, εφαρμόστε λάδι φίλτρου αέρα. Εφαρμόστε λάδι φίλτρου αέρα μόνο σε αφρώδες φίλτρο. Μην εφαρμόζετε λάδι σε φίλτρο κετσέ.

### Για να εφαρμόσετε λάδι φίλτρου αέρα στο φίλτρο αέρα



**ΠΡΟΣΟΧΗ:** Χρησιμοποιήστε πάντα ειδικό λάδι φίλτρου αέρα σε αφρώδη φίλτρα αέρα. Μην χρησιμοποιείτε άλλους τύπους λαδιού.



**ΠΡΟΕΙΔΟΠΟΙΗΣΗ:** Το λάδι δεν πρέπει να έρχεται σε επαφή με το σώμα σας.

- Αφαιρέστε το κάλυμμα του φίλτρου αέρα και το φίλτρο αέρα. (Εικ. 48)
- Τοποθετήστε το φίλτρο αέρα σε μια πλαστική σακούλα.
- Ρίξτε το λάδι του φίλτρου αέρα στην πλαστική σακούλα. (Εικ. 49)
- Πιέστε την πλαστική σακούλα για να βεβαιωθείτε ότι το λάδι παρέχεται ομοιόμορφα διαμέσου του φίλτρου αέρα.
- Πιέστε το φίλτρο αέρα, ενώ βρίσκεται στη σακούλα, για να αφαιρέσετε το περιττό λάδι φίλτρου αέρα. Αφαιρέστε το φίλτρο αέρα από τη σακούλα.
- Εγκαταστήστε το φίλτρο αέρα.

## Για να προσθέσετε γράσο στο κωνικό γρανάζι

Βεβαιωθείτε ότι το κωνικό γρανάζι είναι γεμάτο κατά 3/4 με γράσο κωνικού γρανάζιου.

(Εικ. 50)

## Αντιμετώπιση προβλημάτων

### Ο κινητήρας δεν εκκινείται

Έλεγχος	Πιθανή αιτία	Διαδικασία
Διακόπτης τερματισμού λειτουργίας.	Ο διακόπτης τερματισμού λειτουργίας βρίσκεται στη θέση τερματισμού.	Θέστε τον διακόπτη τερματισμού λειτουργίας στη θέση εκκίνησης.

Έλεγχος	Πιθανή αιτία	Διαδικασία
Άγκιστρα εμπλοκής του συστήματος εκκίνησης με το βολάν.	Τα άγκιστρα εμπλοκής του συστήματος εκκίνησης με το βολάν δεν μπορούν να κινηθούν ελεύθερα.	Αφαιρέστε το κάλυμμα της μίζας και καθαρίστε την περιοχή γύρω από τα άγκιστρα εμπλοκής του συστήματος εκκίνησης με το βολάν.
		Ζητήστε βοήθεια από έναν εγκεκριμένο αντιπρόσωπο σέρβις.
Ντεπόζιτο καυσίμου.	Λανθασμένος τύπος καυσίμου.	Αδειάστε το ντεπόζιτο καυσίμου και γεμίστε με το σωστό καύσιμο.
Μπουζί.	Το μπουζί είναι λερωμένο ή υγρό.	Βεβαιωθείτε ότι το μπουζί είναι στεγνό και καθαρό.
	Το διάκενο των ηλεκτροδίων του μπουζί είναι λανθασμένο.	Καθαρίστε το μπουζί. Βεβαιωθείτε ότι το διάκενο ηλεκτροδίου είναι σωστό. Βεβαιωθείτε ότι το μπουζί έχει αντιπαρασιτικό.
	Το μπουζί έχει χαλαρώσει.	Ανατρέξτε στα τεχνικά στοιχεία για το σωστό διάκενο ηλεκτροδίου.
		Σφίξτε το μπουζί.

## Ο κινητήρας ξεκινάει αλλά σταματάει ξανά

Έλεγχος	Πιθανή αιτία	Διαδικασία
Ντεπόζιτο καυσίμου	Λανθασμένος τύπος καυσίμου.	Αδειάστε το ντεπόζιτο καυσίμου και γεμίστε με το σωστό καύσιμο.
Φίλτρο αέρα	Το φίλτρο αέρα έχει φράξει.	Καθαρίστε το φίλτρο αέρα.

## Μεταφορά, αποθήκευση και απόρριψη

### Μεταφορά και αποθήκευση

- Αφήστε το προϊόν να κρυώσει πριν από τη μεταφορά ή την αποθήκευση.
- Αφαιρέστε το καπάκι του μπουζί πριν την αποθήκευση για μεγάλο χρονικό διάστημα.
- Να στερεώνετε το προϊόν κατά τη μεταφορά. Βεβαιωθείτε ότι δεν μπορεί να μετακινηθεί.

- Βεβαιωθείτε ότι δεν υπάρχει κίνδυνος διαρροής καυσίμου, αναθυμιάσεων καυσίμου, σπινθήρων και φλογών κατά τη μεταφορά και την αποθήκευση.
- Να καθαρίζετε και να κάνετε συντήρηση στο προϊόν πριν το αποθηκεύσετε για μεγάλο χρονικό διάστημα.

## Τεχνικά στοιχεία

### Τεχνικά στοιχεία

	<b>325L</b> <b>A05328CSHV</b>
<b>Κινητήρας</b>	
Κυβισμός κυλίνδρου, cm <sup>3</sup>	27,6
Στροφές ανά λεπτό στο ρελαντί, σ.α.λ.	2800 - 3200
Συνιστώμενες μέγ. στροφές, σ.α.λ	8000
Απόδοση ισχύος / Μέγ. ισχύς κινητήρα, κατά ISO 8893, kW/hp σε σ.α.λ.	0,9/1,2 στις 8000
Εξάτμιση (σιγαστήρας) καταλυτικού μετατροπέα	Ναι
Στροφές άξονα εξόδου, σ.α.λ	7200
<b>Σύστημα ανάφλεξης</b>	
Μπουζι	Husqvarna HQT-4
Διάκενο ηλεκτροδίου, mm	0,5
<b>Σύστημα καυσίμου</b>	
Χωρητικότητα ντεπόζιτου καυσίμου, l/cm <sup>3</sup>	0,343/343
<b>Διαστάσεις προϊόντος</b>	
Βάρος, χωρίς εξοπλισμό κοπής, kg	5,0
<b>Εκπομπές θορύβου<sup>19</sup></b>	
Στάθμη ηχητικής ισχύος, εγγυημένη, (L <sub>WA</sub> ), dB(A)	114
Στάθμη ηχητικής ισχύος, μετρημένη, dB(A)	110
<b>Στάθμες ήχου<sup>20</sup></b>	
Στάθμη ηχητικής πίεσης στο αυτί του χειριστή, με κεφαλή χορτοκοπτικού, dB(A)	93
<b>Επίπεδα κραδασμών<sup>21</sup></b>	
Ισοδύναμη στάθμη κραδασμών (ahv, eq), με κεφαλή χορτοκοπτικού, αριστερή λαβή, m/s <sup>2</sup>	4,2

<sup>19</sup> Οι εκπομπές θορύβου στο περιβάλλον, οι οποίες μετρούνται ως ηχητική ισχύς (L<sub>WA</sub>), σε συμμόρφωση με την Οδηγία 2000/14/ΕΚ. Η καταγεγραμμένη στάθμη ηχητικής ισχύος για το προϊόν έχει μετρηθεί με το αυθεντικό παρελκόμενο κοπής, που δίνει την υψηλότερη στάθμη. Η διαφορά μεταξύ της εγγυημένης και της μετρούμενης ηχητικής ισχύος είναι ότι η εγγυημένη ηχητική ισχύς περιλαμβάνει επίσης τη διασπορά στο αποτέλεσμα της μέτρησης και τις αποκλίσεις μεταξύ των διαφορετικών προϊόντων του ίδιου μοντέλου σύμφωνα με την Οδηγία 2000/14/ΕΚ.

<sup>20</sup> Τα καταγεγραμμένα στοιχεία για την αντίστοιχη στάθμη ηχητικής πίεσης του προϊόντος έχουν μια τυπική στατιστική διασπορά (τυπική απόκλιση) ίση με 1 dB (A).

<sup>21</sup> Τα καταγεγραμμένα στοιχεία για την ισοδύναμη στάθμη δονήσεων έχουν τυπική στατιστική διασπορά (τυπική απόκλιση) ίση με 1 m/s<sup>2</sup>.

	<b>325L</b> <b>A05328CSHV</b>
Ισοδύναμη στάθμη κραδασμών (ahv, eq) με κεφαλή χορτοκοπτικού, δεξιά λαβή, m/s <sup>2</sup>	6.1

---

## Αξεσουάρ

---

### Αξεσουάρ

Εγκεκριμένα αξεσουάρ	Τύπος	Προστατευτικό παρελκομένου κοπής
Άξονας με σπείρωμα	M10L	
Κεφαλή χορτοκοπτικού	T35 (μεσινέζα Ø 2,4 mm)	588 54 37-01

## Δήλωση Συμμόρφωσης ΕΚ

### Περιεχόμενα της Δήλωσης Συμμόρφωσης ΕΚ

Εμείς, η Husqvarna AB, SE 561 82 Huskvarna, Σουηδία, δηλώνουμε με αποκλειστική μας ευθύνη ότι το απεικονιζόμενο προϊόν:

Το παρεχόμενο βενζινοκίνητο χορτοκοπτικό / θαμνοκοπτικό συμμορφώνεται με το δείγμα που υποβλήθηκε σε εξέταση.

Περιγραφή	Βενζινοκίνητο χορτοκοπτικό / θαμνοκοπτικό
Μάρκα	Husqvarna
Πλατφόρμα / Τύπος / Μοντέλο	ΠλατφόρμαA05328CSHV, για το μοντέλο 325L.
Παρτίδα	Αριθμός σειράς με ημερομηνία 2018 και μεταγενέστερη.

συμμορφώνεται πλήρως με τις ακόλουθες οδηγίες και τους κανονισμούς της ΕΕ:

Οδηγία/Κανονισμός	Περιγραφή
2006/42/ΕΚ	"σχετικά με τα μηχανήματα"
2014/30 /ΕΕ	"σχετικά με την ηλεκτρομαγνητική συμβατότητα"
2000/14/ΕΚ	"σχετικά με εξωτερικό θόρυβο"
2011/65/ΕΕ	"περιορισμό της χρήσης ορισμένων επικίνδυνων ουσιών"

Εφαρμοζόμενα εναρμονισμένα πρότυπα ή/και τεχνικές προδιαγραφές: EN ISO 12100, EN ISO 11806-1, CISPR 12, ISO 14982, EN 50581:2012.

Σύμφωνα με την οδηγία 2000/14/ΕΚ, Παράρτημα V, οι δηλωθείσες τιμές για τον ήχο αναφέρονται στο κεφάλαιο Τεχνικά στοιχεία αυτού του εγχειριδίου και στην υπογεγραμμένη Δήλωση συμμόρφωσης ΕΚ.

Η TÜV Rheinland N.A. εκτέλεσε εθελοντικά έλεγχο για λογαριασμό της Husqvarna AB και εξέδωσε πιστοποιητικό συμμόρφωσης με την Οδηγία του Συμβουλίου ΕΚ 2006/42/ΕΚ για τα μηχανήματα.

Το πιστοποιητικό, όπως παρέχεται στην υπογεγραμμένη Δήλωση συμμόρφωσης ΕΚ, ισχύει για όλες τις εγκαταστάσεις παραγωγής και τις χώρες προέλευσης, όπως αναφέρονται στο προϊόν.



---

# Contenido

---

Introducción.....	97	Resolución de problemas.....	106
Seguridad.....	98	Transporte, almacenamiento y eliminación.....	107
Montaje.....	102	Datos técnicos.....	107
Funcionamiento.....	102	Accesorios.....	108
Mantenimiento.....	104	Declaración CE de conformidad.....	109

---

## Introducción

---

### Manual de usuario

El idioma original de este manual de instrucciones es el inglés. Los manuales de usuario en otros idiomas son traducciones del inglés.

### Uso previsto

El producto se utiliza con un cabezal de corte para cortar hierba. No utilice el producto para otras tareas diferentes a cortar o desbrozar hierba.

### Descripción del producto

(Fig. 1)

1. Cabezal de corte
2. Tapón de recarga de lubricante
3. Engranaje angulado
4. Protección del equipo de corte
5. Tubo
6. Mango cerrado
7. Acelerador
8. Botón de parada
9. Bloqueo del acelerador
10. Sombrero de bujía, bujía
11. Cuerpo del mecanismo de arranque
12. Empuñadura de la cuerda de arranque
13. Depósito de combustible
14. Tapa del filtro de aire
15. Perilla de la bomba de combustible
16. Control del estrangulador
17. Pieza de arrastre
18. Manual de usuario
19. Llave de estrella

### Símbolos que aparecen en el producto

- (Fig. 2) **ADVERTENCIA:** Este producto es peligroso. Si el producto no se usa con cuidado y de la forma correcta, el usuario o las personas que se encuentren cerca pueden sufrir lesiones personales o incluso la muerte. Para evitar lesiones graves al usuario o a

**Nota:** El uso de este producto podría estar regulado por la legislación nacional.

---

cualquier persona que se encuentre cerca, lea y cumpla todas las instrucciones de seguridad descritas en el manual de usuario.

- (Fig. 3) Lea detenidamente el manual de usuario y asegúrese de que entienda las instrucciones antes de usar la máquina.

- (Fig. 4) Utilice protección auditiva homologada. Utilice protección ocular homologada.

- (Fig. 5) El producto puede provocar que los objetos salgan despedidos y esto puede causar lesiones.

- (Fig. 6) Velocidad máxima del eje de salida.

- (Fig. 7) Mantenga siempre a las personas y animales a una distancia mínima de 15 m/50 pies durante el funcionamiento del producto.

- (Fig. 8) Utilice solamente un hilo de corte flexible

- (Fig. 9) No utilice elementos de corte metálicos

- (Fig. 10) Las flechas muestran los límites establecidos para la posición de la empuñadura.

- (Fig. 11) Perilla de la bomba de combustible.

- (Fig. 12) Estrangulador.

- (Fig. 13) Carga de combustible

(Fig. 14) Las emisiones sonoras en el entorno hacen referencia a la directiva de la Comunidad Europea. Las emisiones del producto se indican en el capítulo Datos técnicos y en la etiqueta.

(Fig. 15) El producto cumple con las directivas CE vigentes.

(Fig. 16) El producto cumple con las directivas EAC vigentes.

La placa de características muestra el número de serie. **aaaa** es el año de fabricación, **ss** es la semana de producción y **xxxx** es el número secuencial.

aaaassxxxx

**Nota:** Los demás símbolos/etiquetas que aparecen en el producto corresponden a requisitos de homologación específicos en otras zonas comerciales.

## Responsabilidad sobre el producto

Como se estipula en las leyes de responsabilidad del producto, no nos hacemos responsables de los daños y perjuicios causados por nuestro producto si:

- El producto se ha reparado incorrectamente.
- El producto se ha reparado con piezas que no eran del fabricante o no autorizadas por el fabricante.
- El producto tiene un accesorio que no es del fabricante o no está autorizado por este.
- El producto no se ha reparado en un centro de servicio autorizado o por un organismo homologado.

## UE V



**ADVERTENCIA:** La manipulación del motor anula la homologación de la UE de este producto.

## Seguridad

### Definiciones de seguridad

Las advertencias, precauciones y notas se utilizan para destacar información especialmente importante del manual.



**ADVERTENCIA:** Indica un riesgo de lesiones o incluso de muerte del usuario o de las personas cercanas si no se respetan las instrucciones del manual.



**PRECAUCIÓN:** Indica un riesgo de daños en el producto, otros materiales o el área adyacente si no se respetan las instrucciones del manual.

**Nota:** Se usa para proporcionar más información necesaria en una situación determinada.

### Seguridad respecto a las vibraciones

Este producto está diseñado para uso ocasional exclusivamente. El uso frecuente o continuo del producto puede provocar casos de enfermedad de Raynaud o problemas médicos similares debido a las vibraciones. Observe el estado de sus manos y dedos si usa el producto de forma frecuente o continua. Si sus manos o dedos presentan decoloración, dolor, hormigueo o entumecimiento, deje de trabajar y acuda a un médico de inmediato.

### Instrucciones generales de seguridad



**ADVERTENCIA:** Lea las siguientes instrucciones de advertencia antes de utilizar el producto.

- Use el producto correctamente. Las lesiones o la muerte son un posible resultado de un uso incorrecto. Utilice el producto solo para las tareas indicadas en este manual. No utilice el producto para otras tareas.
- Respete las instrucciones de este manual. Respete los símbolos de seguridad y las instrucciones de seguridad. Si el operador no respeta las instrucciones y los símbolos, pueden producirse lesiones, daños materiales o la muerte.
- No se deshaga de este manual. Utilice las instrucciones para montar su producto, utilizarlo y mantenerlo en buen estado. Utilice las instrucciones para la correcta instalación de los complementos y accesorios. Utilice únicamente complementos y accesorios autorizados.
- No utilice un producto dañado. Respete el programa de mantenimiento. Realice solamente el trabajo de mantenimiento indicado en las instrucciones de este manual. Todos los demás trabajos de mantenimiento debe hacerlos un centro de servicio autorizado.
- Este manual no puede incluir todas las situaciones que pueden producirse cuando utilice el producto.

Proceda con cuidado y utilice el sentido común. No utilice el producto ni realice el mantenimiento del producto si no está seguro de cuál es la situación. Hable con un experto en el producto, su distribuidor, un taller de servicio o centro de servicio autorizado para obtener información.

- Desconecte el cable de la bujía antes de montar el producto, almacenarlo o realizar tareas de mantenimiento.
- No utilice el producto si se ha modificado respecto de sus especificaciones iniciales. No cambie una parte del producto sin la autorización del fabricante. Utilice únicamente piezas recomendadas por el fabricante. Las lesiones o la muerte son un posible resultado de un mantenimiento incorrecto.
- No inhale los vapores del motor. La inhalación los gases de escape del motor durante un tiempo prolongado supone un riesgo para la salud.
- Nunca arranque el producto en interiores ni cerca de material inflamable. Los gases de escape están calientes y pueden contener una chispa que puede iniciar un incendio. Una circulación de aire insuficiente puede causar lesiones o la muerte por asfixia o inhalación de monóxido de carbono.
- Al utilizar este producto, el motor emite un campo electromagnético. El campo electromagnético puede provocar daños en implantes médicos. Consulte a su médico y al fabricante del implante médico antes de usar el producto.
- No deje que un niño maneje el producto. No permita que nadie maneje el producto sin conocer las instrucciones.
- Si una persona con discapacidad física o mental usa el producto, asegúrese de supervisarla en todo momento. Debe haber presente en todo momento una persona mayor de edad responsable.
- Cierre con llave el producto en un área a la que no puedan acceder las personas no autorizadas ni los niños.
- El producto puede proyectar objetos con fuerza y causar lesiones. Respete las instrucciones de seguridad para reducir el riesgo de lesiones o muerte.
- No deje desatendido el producto con el motor encendido.
- El operador del producto es el responsable si se produce un accidente.
- Asegúrese de que las piezas no estén dañadas antes de utilizar el producto.
- Asegúrese de que se encuentra a una distancia mínima de 15 m (50 pies) de otras personas o animales antes de utilizar el producto. Asegúrese de que las personas que pueda haber en el área circundante sepan que va a usar el producto.
- Consulte las leyes nacionales o locales. Pueden prohibir o limitar el funcionamiento del producto en circunstancias determinadas.
- No utilice el producto si está cansado o se encuentra bajo los efectos de alcohol, drogas o medicamentos.

que pueden tener efectos sobre su visión, capacidad de reacción, coordinación o criterio.

## Instrucciones de seguridad para el montaje



**ADVERTENCIA:** Lea las siguientes instrucciones de advertencia antes de utilizar el producto.

- Retire el sombrerete de la bujía antes de montar el producto.
- Utilice guantes protectores homologados.
- Asegúrese de montar la cubierta y el eje correctamente antes de poner en marcha el motor.

## Instrucciones de seguridad para el funcionamiento

- Asegúrese de que el producto esté completamente montado antes de utilizarlo.
- Antes de arrancar, aleje el producto 3 m (10 pies) del punto en el que llenó el depósito de combustible. Ponga el producto sobre una superficie plana. Asegúrese de que el equipo de corte no entre en contacto con el suelo u otros objetos.
- El producto puede causar proyección de objetos, lo que puede provocar daños en los ojos. Utilice siempre una protección ocular homologada cuando utilice el producto.
- Tenga cuidado: mientras está trabajando, un niño puede acercarse al producto sin que usted se dé cuenta.
- No utilice el producto si hay otra persona en la zona de trabajo. Detenga el producto si alguien entra en la zona de trabajo.
- Asegúrese de tener siempre el control del producto.
- No utilice el producto si no puede recibir ayuda en caso de accidente. Antes de comenzar a utilizar el producto, asegúrese siempre de que otros saben que va a empezar a usarlo.
- No se gire con el producto sin asegurarse primero de que no hay personas ni animales en la zona de seguridad.
- Retire todos los materiales no deseados de la zona de trabajo antes de empezar. Si el equipo de corte choca contra un objeto, el objeto puede salir despedido y provocar daños o lesiones. El material no deseado puede enrollarse en el equipo de corte y provocar daños.
- No utilice el producto en condiciones climáticas desfavorables (niebla, lluvia, viento fuerte, riesgo de rayos u otras condiciones climáticas peligrosas). Las condiciones climáticas desfavorables pueden provocar condiciones peligrosas (como superficies resbaladizas).
- Asegúrese de que puede moverse libremente y trabajar en una postura estable

(Fig. 17)

- Asegúrese de que no corre riesgo de caerse mientras utiliza el producto. No se incline mientras utiliza el producto.
- Sujete siempre el producto con ambas manos. Mantenga el producto en el lado derecho del cuerpo. (Fig. 18)
- Utilice el producto con el equipo de corte por debajo de la cadera.
- Si el mando del estrangulador está en la posición de estrangulamiento cuando arranque el motor, el equipo de corte comienza a girar.
- No toque el engranaje angulado después de parar el motor. El engranaje angulado está caliente después de parar el motor. Las zonas calientes pueden causar lesiones.
- Pare el motor antes de mover el producto.
- No deje el producto en el suelo con el motor encendido.
- Antes de retirar los materiales no deseados del producto, detenga el motor y espere hasta que el equipo de corte se detenga. Deje que el equipo de corte se detenga antes de que usted o un ayudante retire el material cortado.

## Equipo de protección personal



**ADVERTENCIA:** Lea las siguientes instrucciones de advertencia antes de utilizar el producto.

- Utilice siempre el equipo de protección personal adecuado cuando utilice el producto. El equipo de protección personal no elimina el riesgo de lesiones. El equipo de protección personal reduce la gravedad de las lesiones en caso de accidente.
- Utilice siempre una protección ocular homologada mientras utiliza el producto.
- No utilice el producto con los pies descalzos o con calzado abierto. Utilice siempre botas de trabajo antideslizantes.
- Utilice pantalones largos gruesos.
- Si es necesario, utilice guantes protectores homologados.
- Utilice un casco si existe la posibilidad de caída de objetos sobre la cabeza.
- Utilice siempre protección auditiva homologada mientras utiliza el producto. La exposición al ruido durante un período de tiempo prolongado puede causar pérdida de audición.
- Asegúrese de que tiene cerca un botiquín de primeros auxilios.

## Dispositivos de seguridad en el producto



**ADVERTENCIA:** Lea las siguientes instrucciones de advertencia antes de utilizar el producto.

- No utilice un producto que tenga dispositivos de seguridad defectuosos.
- Realice una comprobación de los dispositivos de seguridad con frecuencia. Consulte la sección *Descripción del producto en la página 97*.
- Si los dispositivos de seguridad están defectuosos, hable con su taller de servicio Husqvarna.

## Bloqueo del acelerador

El bloqueo del gatillo del acelerador bloquea el acelerador.

(Fig. 19)

Empuje el bloqueo del acelerador (A) para soltar el acelerador (B). Al soltar el mango, el bloqueo del acelerador y el acelerador vuelven a sus posiciones iniciales.

1. Asegúrese de que el acelerador (B) esté bloqueado en ralentí cuando suelte el bloqueo del acelerador (A).
2. Presione el bloqueo del acelerador (A) y asegúrese de que vuelve a su posición inicial al soltarlo.
3. Empuje el acelerador (B) y asegúrese de que vuelve a su posición inicial al soltarlo.

Arranque el motor y, a continuación, aplique la aceleración máxima. Suelte el acelerador y examine si el equipo de corte se detiene. Si el equipo de corte gira con el acelerador en la posición de ralentí, examine el tornillo de ajuste de ralentí del carburador.

## Botón de parada

Arranque el motor. Asegúrese de que el motor se detiene al poner el botón de parada en la posición de parada.

(Fig. 20)

## Protección del equipo de corte

La protección del equipo de corte impide que los objetos sueltos salgan despedidos hacia el operador.

(Fig. 21)

Examine la protección del equipo de corte para comprobar que no hay daños y sustitúyala si está dañada. Utilice únicamente la protección autorizada para el equipo de corte.

## Silenciador

- No utilice un motor con un silenciador defectuoso. Un silenciador defectuoso aumenta el nivel de ruido y el riesgo de incendio. Tenga siempre a mano un extintor de incendios.
- Examine regularmente que el silenciador esté conectado al producto.
- No toque el motor ni el silenciador cuando el motor está encendido. No toque el motor ni el silenciador durante un tiempo después de parar el motor. Las superficies calientes pueden causar lesiones.

- Un silenciador caliente puede provocar un incendio. Tenga cuidado si utiliza el producto cerca líquidos o vapores inflamables.
- No toque las piezas del silenciador si este está dañado. Las piezas pueden contener productos químicos cancerígenos.

## Accesorio de corte



**ADVERTENCIA:** Lea las siguientes instrucciones de advertencia antes de utilizar el producto.

- Realice el mantenimiento periódico. Deje que un centro homologado examine regularmente el equipo de corte para hacer ajustes o reparaciones.
  - El rendimiento del equipo de corte aumenta.
  - La vida útil del equipo de corte aumenta.
  - El riesgo de accidentes disminuye.
- Utilice solo una protección homologada para el equipo de corte. Para obtener más información, consulte *Accesorios en la página 108*.
- No utilice un equipo de corte dañado.

## Seguridad en el uso del combustible



**ADVERTENCIA:** Lea las siguientes instrucciones de advertencia antes de utilizar el producto.

- No mezcle el combustible en un recinto cerrado o cerca de una fuente de calor.
- No arranque el producto si está manchado con combustible o aceite del motor. Retire el combustible/aceite no deseado y deje secar el producto. Retire el combustible no deseado del producto.
- Si derrama combustible sobre la ropa, cámbiese inmediatamente.
- Evite el contacto con el combustible; puede provocarle lesiones. Si entra en contacto con el combustible, utilice jabón y agua para eliminar el combustible.
- No arranque el motor si derrama aceite o combustible sobre el producto o sobre su cuerpo.
- No arranque el motor si el producto tiene una fuga. Examine frecuentemente si hay fugas en el motor.
- Tenga cuidado con el combustible. El combustible es inflamable, sus vapores son explosivos y puede provocar lesiones o la muerte.
- No inhale los vapores de combustible, ya que pueden causar lesiones. Asegúrese de que hay ventilación suficiente.
- No fume cerca del combustible o el motor.
- No coloque objetos calientes cerca del combustible o el motor.
- No agregue el combustible con el motor encendido.
- Asegúrese de que el motor esté frío antes repostar.

- Antes de repostar, abra la tapa del depósito de combustible lentamente y deje salir el exceso de presión con cuidado.
- No añada combustible al motor en interiores. Una circulación de aire insuficiente puede causar lesiones o la muerte por asfixia o inhalación de monóxido de carbono.
- Apriete la tapa del depósito de combustible con cuidado o puede producirse un incendio.
- Antes de arrancarlo, lleve el producto a 3 m (10 pies) de distancia como mínimo del punto en el que llenó el depósito.
- No ponga demasiado combustible en el depósito de combustible.
- Asegúrese de que no pueda producirse una fuga al mover el producto o recipiente de combustible.
- No coloque el producto o un recipiente de combustible cerca de una llama descubierta, chispa o llama piloto. Asegúrese de que la zona de almacenamiento no contiene una llama descubierta.
- Utilice únicamente recipientes homologados para transportar o almacenar el combustible.
- Vacíe el depósito de combustible antes de almacenarlo por un tiempo prolongado. Respete la legislación local sobre lugares aptos para desechar combustible.
- Limpie el producto antes de almacenarlo por un tiempo prolongado.
- Desconecte el cable de la bujía antes de almacenar el producto para asegurarse de que el motor no arranque accidentalmente.

## Instrucciones de seguridad para el mantenimiento



**ADVERTENCIA:** Lea las instrucciones de advertencia siguientes antes de realizar el mantenimiento del producto.

- Lleve a cabo solamente las labores de servicio y mantenimiento indicadas en el presente manual de usuario. El resto de trabajos de reparación y mantenimiento deben encomendarse a un profesional.
- Lleve a cabo las comprobaciones de seguridad y siga las instrucciones de mantenimiento y servicio de este manual. El mantenimiento periódico aumenta la vida útil del producto y disminuye el riesgo de accidentes. Consulte *Programa de mantenimiento en la página 105* para ver las instrucciones.
- Si las comprobaciones de seguridad descritas en este manual de usuario no arrojan un resultado satisfactorio tras llevar a cabo los trabajos de mantenimiento, contacte con el taller de servicio. Le garantizamos que realizarán reparaciones y mantenimiento profesionales en su producto.

---

# Montaje

---

## Introducción



**ADVERTENCIA:** Antes de montar el producto, debe leer y entender el capítulo sobre seguridad.



**ADVERTENCIA:** Retire el cable de la bujía antes de montar el producto.

## Montaje del mango cerrado

1. Coloque el mango cerrado entre las flechas del eje.
2. Apriete el perno para acoplar el mango cerrado al eje. (Fig. 22)

## Para montar el equipo de corte

### Instalación de la protección del equipo de corte

1. Coloque la protección del equipo de corte (A) en el eje. (Fig. 23)

2. Coloque el soporte (B) en la ranura de la protección del equipo de corte.
3. Fije el perno (C) a través del orificio del soporte en la protección del equipo de corte.

### Instalación del cabezal de corte

1. Compruebe que se ha colocado la protección del equipo de corte (A) en el producto. Consulte la sección *Instalación de la protección del equipo de corte en la página 102*. (Fig. 24)
2. Compruebe que el disco de arrastre (C) se coloca en el eje de salida (D).
3. Introduzca la llave de estrella (B) en el orificio para bloquear el eje.
4. Coloque el cabezal de corte (E) en el eje de salida.
5. Gire el cabezal de corte hacia la izquierda para apretarlo en el eje de salida. (Fig. 25)
6. Retire la llave de estrella.

---

# Funcionamiento

---

## Introducción



**ADVERTENCIA:** Antes de utilizar el producto, debe leer y entender el capítulo sobre seguridad.

## Carburante

Este producto tiene un motor de dos tiempos.



**PRECAUCIÓN:** Un tipo de combustible incorrecto puede producir daños en el motor. Utilice una mezcla de gasolina y aceite para motores de dos tiempos.

## Combustible premezclado

- Utilice gasolina de alquilato premezclada Husqvarna de buena calidad para mejorar el rendimiento y prolongar la vida útil del motor. Este combustible contiene menos productos químicos peligrosos que la gasolina tradicional, lo que reduce los gases de escape tóxicos. Con este combustible, se reduce la cantidad de residuos de la combustión, lo que ayuda a mejorar el nivel de limpieza de los componentes del motor.

## Mezcla de combustible

### Gasolina



**PRECAUCIÓN:** No utilice gasolina con un octanaje inferior a 90 octanos RON (87 AKI). Esto puede provocar daños en el producto.



**PRECAUCIÓN:** No utilice gasolina con una concentración de etanol de más del 10 % (E10). Esto puede provocar daños en el producto.

- Utilice siempre gasolina sin plomo nueva con un octanaje mínimo de 90 RON (87 AKI) y con una concentración de etanol de menos de 10 % (E10).
- Utilice gasolina con un mayor octanaje si utiliza con frecuencia el producto a un régimen del motor alto de manera continua.

### Aceite para motores de dos tiempos

- Para obtener los mejores resultados y un rendimiento óptimo, utilice aceite para motores de dos tiempos Husqvarna.
- Si no se dispone de aceite para motores de dos tiempos Husqvarna, puede utilizarse un aceite para motores de dos tiempos de buena calidad para

motores refrigerados por aire. Póngase en contacto con su taller de servicio para seleccionar el aceite correcto.



**PRECAUCIÓN:** No utilice nunca aceite para motores de dos tiempos motores fueraborda refrigerados por agua. No utilice aceite para motores de cuatro tiempos.

### Mezcla de gasolina y aceite para motores de dos tiempos

Gasolina, litros	Aceite para motores de dos tiempos, litros
	<b>2 % (50:1)</b>
5	0,10
10	0,20
15	0,30
20	0,40



**PRECAUCIÓN:** Los errores, por pequeños que sean, pueden influir en la proporción de la mezcla considerablemente si mezcla pequeñas cantidades de combustible. Mida cuidadosamente la cantidad de aceite para asegurarse de obtener la mezcla adecuada.

(Fig. 26)

1. Agregue la mitad de la cantidad de gasolina a un recipiente limpio homologado para combustible.
2. Añada la cantidad total de aceite.
3. Agite la mezcla de combustible.
4. Añada el resto de gasolina al recipiente.
5. Agite bien la mezcla de combustible.



**PRECAUCIÓN:** No mezcle combustible para más de 1 mes como máximo.

### Para añadir combustible

- Utilice un recipiente de combustible con válvula antirrebote.
- Si hay algo de combustible en el recipiente, retire el combustible no deseado y deje secar el recipiente.
- Asegúrese de que la zona cercana a la tapa del depósito de combustible está limpia.
- Sacuda el contenedor de combustible antes de agregar la mezcla de combustible al depósito de combustible.

### Rodaje

- Durante las primeras 10 horas de funcionamiento, no acelere al máximo sin carga durante periodos prolongados.

### Para arrancar y parar

#### Para examinar el producto antes de comenzar a trabajar

1. Compruebe que no falten piezas en el producto ni que estén dañadas, sueltas o desgastadas.
2. Asegúrese de que las tuercas, los tornillos y los pernos estén bien apretados
3. Asegúrese de que el cabezal de corte no esté dañado.
4. Asegúrese de que el filtro de aire no esté obstruido.
5. Asegúrese de que los dispositivos de seguridad del producto no estén defectuosos.
6. Asegúrese de que el producto no tenga fugas de combustible.

#### Para arrancar el motor en frío

1. Presione la perilla de la bomba de combustible 10 veces. (Fig. 27)
2. Tire del estrangulador hacia arriba. (Fig. 28)
3. Sujete el cuerpo del producto contra el suelo con la mano izquierda. (Fig. 29) No pise el producto. Tire de la empuñadura de la cuerda de arranque lentamente hasta que note algo de resistencia. A continuación, tire de la empuñadura de la cuerda de arranque con fuerza.

**Nota:** No tire del acelerador mientras arranca el motor.

4. Continúe tirando de la empuñadura de la cuerda de arranque hasta que el motor arranque o intente arrancar (máx. 3 veces). Si el motor arranca o intenta arrancar, presione el estrangulador hacia abajo. Continúe tirando hasta que el motor arranque. Espere 60 segundos tras el arranque antes de tirar del acelerador.



**PRECAUCIÓN:** No tire de la cuerda de arranque hasta que se detenga. No suelte la cuerda de arranque cuando esté completamente extendida. Suelte la cuerda de arranque lentamente. Si no se siguen estas instrucciones, se puede dañar el motor.

#### Para arrancar el motor en caliente

1. Presione la perilla de la bomba de combustible 10 veces.
2. Tire de la cuerda de arranque hasta que el motor arranque.

## Para arrancar el motor cuando el combustible está demasiado caliente

Si el producto no arranca, puede que el combustible esté muy caliente.

**Nota:** Utilice siempre combustible nuevo y reduzca el tiempo de funcionamiento cuando haga demasiado calor.

1. Coloque el producto en un área fresca alejada de la luz solar directa.
2. Deje que el producto se enfríe durante 20 minutos como mínimo.
3. Presione la perilla de la bomba de combustible una y otra vez durante 10 y 15 segundos.
4. Siga el procedimiento para arrancar un motor frío. Consulte la sección *Para arrancar el motor en frío en la página 103*.

## Para detener

- Presione el botón de parada para detener el motor. (Fig. 30)

**Nota:** El interruptor de parada regresa automáticamente a su posición inicial.

## Para manejar la recortadora de césped



**PRECAUCIÓN:** Asegúrese de que reduce la velocidad del motor al ralenti después de cada operación. Un largo periodo a aceleración máxima sin carga en el motor puede provocar daños en el motor.

**Nota:** Limpie la cubierta del cabezal de corte cuando fije un nuevo hilo de corte a la recortadora para evitar vibraciones. Examine las demás piezas del cabezal de corte y límpielas si es necesario.

## Para recortar la hierba

1. Mantenga el cabezal de corte inclinado justo por encima del suelo. No empuje el hilo de corte contra la hierba. (Fig. 31)
2. Reduzca la longitud del hilo de corte en 10-12 cm / 4-4,75 pulg.

3. Reduzca el régimen del motor para disminuir el riesgo de daños a las plantas.
4. Utilice un 80 % de aceleración para cortar hierba cerca de objetos. (Fig. 32)

## Para cortar la hierba

1. Asegúrese de que el hilo de corte de la recortadora de césped esté paralelo al suelo cuando corte. (Fig. 33)
2. No empuje el cabezal de corte contra el suelo. El suelo y el producto pueden resultar dañados.
3. No deje que el cabezal de corte toque el suelo continuamente; puede dañarse el cabezal de corte.
4. Utilice la aceleración máxima cuando mueva el producto de lado a lado para cortar hierba. Asegúrese de que el hilo de corte de la recortadora de césped esté paralelo al suelo. (Fig. 34)

## Cabezal de recortadora de césped

- Asegúrese de que enrolla el hilo de corte de la recortadora de césped firme y uniformemente alrededor del tambor para reducir la vibración.
- Utilice únicamente los cabezales de recortadora de césped y los hilos de corte de recortadora de césped autorizados. Consulte *Accesorios en la página 108*.
- Utilice la longitud correcta de hilo de corte de la recortadora. El hilo de corte de recortadora de césped utiliza más potencia de motor cuanto más largo es.
- Asegúrese de que la cortadora de la protección del accesorio de corte no esté dañada.
- Ponga en agua el hilo de corte de la recortadora de césped durante 2 días antes de fijarlo al producto. Esto aumenta la vida útil del hilo de corte de la recortadora de césped.

## Para sustituir el hilo de corte

(Fig. 35)  
(Fig. 36)  
(Fig. 37)  
(Fig. 38)  
(Fig. 39)  
(Fig. 40)  
(Fig. 41)  
(Fig. 42)

# Mantenimiento

## Introducción



**ADVERTENCIA:** Antes de realizar cualquier trabajo de mantenimiento, debe leer y entender el capítulo sobre seguridad.

Para todos los trabajos de mantenimiento y reparación del producto, es necesario realizar una formación especial. Nosotros garantizamos que los trabajos de mantenimiento y reparación sean realizados por profesionales. Si su distribuidor no es un taller de servicio, pídale información sobre el taller de servicio más cercano.



## Programa de mantenimiento

### Mantenimiento semanal

- Limpie las superficies externas.
- Asegúrese de que el equipo de corte no se mueva a ralentí. Consulte la sección *Para ajustar el régimen de ralentí en la página 105*.
- Examine el nivel de grasa del engranaje angulado. Consulte la sección *Para engrasar el engranaje angulado en la página 106*.

### Mantenimiento mensual

- Asegúrese de que la cuerda de arranque y su empuñadura no presenten daños.

### Mantenimiento anual

- Examine la bujía. Consulte *Para examinar la bujía en la página 105*
- Limpie las superficies externas del carburador y las zonas adyacentes.
- Limpie el sistema de refrigeración.
- Examine el apagachispas. Consulte la sección *Para realizar el mantenimiento del apagachispas en la página 105*.
- Examine el filtro de combustible.
- Asegúrese de que la manguera de combustible no esté dañada.
- Asegúrese de que los cables y las conexiones del producto no estén dañadas.

## Para ajustar el régimen de ralentí

- Asegúrese de que el filtro de aire está limpio y la cubierta del filtro de aire está conectada antes de ajustar el régimen de ralentí.
  - Ajuste el régimen de ralentí con el tornillo de ralentí T marcado con una "T".
  - El régimen de ralentí es correcto cuando el motor funciona con suavidad en todas las posiciones. El régimen de ralentí debe ser inferior a la velocidad cuando el equipo de corte comienza a girar.
1. Gire el ajuste del régimen de ralentí hacia la derecha hasta que el equipo de corte comience a girar. (Fig. 43)
  2. Gire el tornillo de ajuste de ralentí hacia la izquierda hasta que el equipo de corte se detenga.

## Para realizar el mantenimiento del apagachispas

Utilice un cepillo de alambre para limpiar el apagachispas.  
(Fig. 44)

## Para limpiar el sistema de refrigeración

Limpie las piezas del sistema de refrigeración con un cepillo.

(Fig. 45)

## Para examinar la bujía



**PRECAUCIÓN:** Utilice la bujía recomendada. Asegúrese de que el recambio es el mismo que la pieza suministrada por el fabricante. Una bujía incorrecta puede provocar daños en el producto.

1. Examine la bujía cuando:
  - a) El motor tiene poca potencia.
  - b) El motor no arranca fácilmente.
  - c) El motor no funciona correctamente al régimen de ralentí.
2. Si el motor no resulta fácil de arrancar o funcionar, examine la bujía en busca de materiales no deseados. Para reducir el riesgo de material no deseado en los electrodos de la bujía:
  - a) Asegúrese de que el régimen de ralentí esté bien ajustado.
  - b) Asegúrese de que la mezcla de combustible sea correcta.
  - c) Asegúrese de que el filtro de aire esté limpio.
3. Limpie la bujía si está sucia. Examine la separación entre los electrodos para ver que es la correcta. (Fig. 46)
4. Sustituya la bujía cuando sea necesario.

## Para realizar el mantenimiento del filtro de aire

### Para limpiar el filtro de aire

1. Saque la cubierta del filtro de aire y extraiga el filtro de aire. (Fig. 47)
2. Limpie el filtro de aire con agua jabonosa tibia. Asegúrese de que el filtro de aire esté seco antes de instalarlo.
3. Sustituya el filtro de aire si está demasiado sucio para poder limpiarlo completamente. Sustituya siempre el filtro de aire si se avería.
4. Si su producto tiene un filtro de aire de espuma, aplique aceite para filtro de aire. Solo aplique aceite para filtro de aire a los filtros de espuma. No aplique aceite a un filtro de fieltro.

### Para aplicar aceite para filtro de aire al filtro de aire



**PRECAUCIÓN:** Utilice siempre aceite especial para filtro de aire en los filtros de aire de espuma. No utilice otros tipos de aceite.



**ADVERTENCIA:** Evite todo contacto con el aceite.

1. Saque la cubierta del filtro de aire y extraiga el filtro de aire. (Fig. 48)
2. Coloque el filtro de aire en una bolsa de plástico.
3. Coloque el filtro de aire aceite en la bolsa de plástico. (Fig. 49)
4. Presione la bolsa de plástico para asegurarse de que el aceite se distribuye uniformemente por el filtro de aire.

5. Sin sacarlo de la bolsa, presione el filtro de aire a fin de extraer el exceso de aceite para filtro de aire. Extraiga el filtro de aire de la bolsa.
6. Instale el filtro de aire.

## Para engrasar el engranaje angulado

Asegúrese de que 3/4 del engranaje estén llenas de grasa para engranaje angular.

(Fig. 50)

## Resolución de problemas

### El motor no arranca

Comprobar	Causa posible	Procedimiento
Interruptor de parada.	El interruptor de parada se encuentra en la posición de parada.	Coloque el mando de detención en posición de arranque.
Ganchos de arranque.	Los ganchos de arranque no pueden moverse libremente.	Retire la cubierta del mecanismo de arranque y limpie alrededor de los ganchos de arranque. Deje que un taller de servicio homologado le ayude.
Depósito de combustible.	Tipo de combustible incorrecto.	Vacíe el depósito de combustible y llénelo con el combustible adecuado.
Bujía.	La bujía está sucia o mojada.	Asegúrese de que la bujía de encendido está seca y limpia.
	La distancia entre los electrodos de la bujía es incorrecta.	Limpie la bujía. Compruebe que la distancia entre los electrodos sea correcta. Asegúrese de que la bujía está equipada con supresor. Consulte los Datos técnicos para Distancia entre los electrodos correcta.
	La bujía está suelta.	Apriete la bujía.

### El motor arranca pero se para de nuevo

Comprobar	Causa posible	Procedimiento
Depósito de combustible	Tipo de combustible incorrecto.	Vacíe el depósito de combustible y llénelo con el combustible adecuado.
Filtro de aire	El filtro de aire está obstruido.	Limpie el filtro de aire.

# Transporte, almacenamiento y eliminación

## Transporte y almacenamiento

- Deje que el producto se enfríe antes de transportarlo o guardarlo.
- Retire el sombrerete de bujía si va a almacenar el producto durante un tiempo prolongado.
- Fije el producto durante el transporte. Asegúrese de que no pueda moverse.
- Asegúrese de que no hay riesgo de fugas de combustible, vapores de combustible, chispas o llamas durante el transporte y el almacenamiento.
- Limpie el producto y efectúe las labores de servicio antes de almacenarlo durante un tiempo prolongado.

## Datos técnicos

### Datos técnicos

	<b>325L</b> <b>A05328CSHV</b>
<b>Motor</b>	
Cilindrada, cm <sup>3</sup>	27,6
Régimen de ralentí, rpm	2800 - 3200
Régimen máximo, r.p.m.	8000
Potencia/salida máxima del motor según ISO 8893, kW/CV a rpm	0,9/1,2 a 8000
Silenciador con catalizador	Sí
Velocidad en el eje de salida, rpm	7200
<b>Sistema de encendido</b>	
Bujía	Husqvarna HQT-4
Distancia de electrodos, mm	0,5
<b>Sistema de combustible</b>	
Capacidad del depósito de combustible, l/cm <sup>3</sup>	0,343 /343
<b>Dimensiones del producto</b>	
Peso (sin equipo de corte), kg	5,0
<b>Emisiones de ruido<sup>22</sup></b>	
Nivel de potencia acústica garantizada (L <sub>WA</sub> ), dB (A)	114
Nivel de potencia acústica medida, dB( A)	110

<sup>22</sup> Emisiones sonoras en el entorno medidas como potencia acústica (L<sub>WA</sub>) según la directiva 2000/14/CE. El nivel referido de potencia acústica del producto se ha medido con el equipo de corte original que produce el nivel más elevado. La diferencia entre la potencia acústica garantizada y medida es que la potencia acústica garantizada también incluye la dispersión en el resultado de la medición y las variaciones entre diferentes productos del mismo modelo, según la directiva 2000/14/CE.

	<b>325L</b> <b>A05328CSHV</b>
<b>Niveles acústicos<sup>23</sup></b>	
Nivel de presión acústica en el oído del operador con un cabezal de corte, dB (A)	93
<b>Niveles de vibraciones<sup>24</sup></b>	
Nivel de vibraciones equivalente (ahv, eq) con cabezal de corte y manillar a la izquierda, m/s <sup>2</sup>	4,2
Nivel de vibraciones equivalente (ahv, eq) con cabezal de corte y manillar a la derecha, m/s <sup>2</sup>	6,1

---

## Accesorios

---

### Accesorios

Accesorios homologados	Tipo	Protección del equipo de corte
Eje roscado	M10L	
Cabezal de corte	T35, Ø 2,4 mm	588 54 37-01

<sup>23</sup> Los datos de nivel de presión sonora equivalente del producto que se han recogido tienen una dispersión estadística típica (desviación estándar) de 1 dB(A).

<sup>24</sup> Los datos referidos al nivel de vibración tienen una dispersión estadística habitual (desviación estándar) de 1 m/s<sup>2</sup>.

---

## Declaración CE de conformidad

---

### Contenido de la declaración de conformidad CE

Nosotros, Husqvarna AB, SE 561 82 Huskvarna, SUECIA, declaramos bajo nuestra exclusiva responsabilidad que el producto representado:

<b>Descripción</b>	<b>Recortadora de césped/ desbrozadora de gasolina</b>
Marca	Husqvarna
Plataforma/tipo/modelo	Plataforma A05328CSHV, que representa el modelo 325L.
Lote	Número de serie a partir del año 2018 y en adelante.

Cumple las siguientes directivas y normas de la UE:

<b>Directiva/Norma</b>	<b>Descripción</b>
2006/42/CE	"relativa a las máquinas"
2014/30/UE	"relativa a la compatibilidad electromagnética"
2000/14/CE	"relativa al ruido en exteriores"
2011/65/UE	"restricciones a la utilización de determinadas sustancias peligrosas"

Las normas armonizadas o especificaciones técnicas aplicadas son las siguientes: EN ISO 12100, EN ISO 11806-1, CISPR 12, ISO 14982, EN 50581:2012.

De acuerdo con la directiva 2000/14/CE, Anexo V, los valores de sonido declarados se indican en el capítulo Datos técnicos de este manual y en la declaración de conformidad CE firmada.

TÜV Rheinland N.A. ha efectuado un examen voluntario para Husqvarna AB, que proporciona el certificado de conformidad con la directiva del Consejo Europeo 2006/42/CE referente a máquinas.

El certificado, como se indica en la declaración de conformidad CE firmada, es aplicable a todas las plantas de fabricación y países de origen, tal y como se indica en el producto.

La recortadora de césped / desbrozadora de gasolina suministrada concuerda con el ejemplar sometido a examen.

---

## Sisukord

---

Sissejuhatus.....	110	Veotsing.....	118
Ohutus.....	111	Transportimine, hoiulepanek ja utiliseerimine.....	118
Kokkupanek.....	114	Tehnilised andmed.....	119
Töö.....	115	Lisatarvikud.....	120
Hooldamine.....	117	EÜ vastavusdeklaratsioon.....	121

---

## Sissejuhatus

---

### Kasutusjuhend

Selle kasutusjuhendi originaal on koostatud inglise keeles. Teistes keeltes kasutusjuhendid on tõlgitud inglise keelest.

### Kasutusotstarve

Toodet kasutatakse trimmeripeaga muru pügamiseks. Ärge kasutage toodet muul otstarbel kui muru pügamiseks, rohu niitmiseks ja metsa puhastamiseks.

### Toote tutvustus

(Joon. 1)

1. Trimmeripea
2. Määrdeaine täitekork
3. Nurkreduktor
4. Lõikepea kaitse
5. Vars
6. Silmuskäepide
7. Gaasihoovastiku nupp
8. Seiskamislüliti
9. Gaasihoovastiku nupu lukk
10. Süüteküünla kate, süüteküünal
11. Starteri korpus
12. Käivitusnööri käepide
13. Kütusepaak
14. Õhufiltri kaas
15. Kütusepump
16. Õhuklapp
17. Vedamisketas
18. Kasutusjuhend
19. Tähtvõti

### Sümbolid tootel

- (Joon. 2) HOIATUS! See toode on ohtlik. Hooletu või väär käsitlemine võib põhjustada kehavigastusi või surma kasutajale või juuresolijatele. Kasutaja ja juuresolijate vigastuste vältimiseks lugege läbi kõik kasutusjuhendis leitud ohutusjuhised ja järgige neid.

**Märkus:** Riiklikud õigusaktid võivad selle toote kasutamist piirata.

---

- (Joon. 3) Enne seadme kasutamist lugege kasutusjuhend põhjalikult läbi, et kõik juhised oleksid täiesti arusaadavad.
- (Joon. 4) Kandke heakskiidetud kõrvaklappe. Kandke heakskiidetud kaitseprille.
- (Joon. 5) Seade võib esemeid õhku paisata ja see võib põhjustada vigastuse.
- (Joon. 6) Väljuva vooli suurim kiirus.
- (Joon. 7) Hoidke seadme kasutamise ajal inimestest ja loomadest vähemalt 15 m kaugusele.
- (Joon. 8) Kasutage ainult elastset trimmerijõhvi
- (Joon. 9) Ärge kasutage metallist lõikevahendeid
- (Joon. 10) Nooled tähistavad käepideme piiraseid.
- (Joon. 11) Kütusepump.
- (Joon. 12) Õhuklapp.
- (Joon. 13) Kütuse lisamine.
- (Joon. 14) Ümbritsevasse keskkonda leviv müra vastavalt Euroopa Ühenduse direktiivile. Seadme müratase on näidatud tehniliste andmete peatükis ja sildil.
- (Joon. 15) See seade vastab kehtivatele EÜ direktiividele.
- (Joon. 16) See seade vastab kehtivatele EAC direktiividele.

Andmesil-  
dilt leiata  
seerianum-  
bri. **aaaa**  
on tootmi-  
saasta, **nn**  
on tootmis-  
nädal ja  
**xxxx** on  
järjekorra-  
number.

**aaaaannxxxx**

**Märkus:** Seadmel toodud ülejäänud sümbolid/tähised vastavad muude kommertsvaldkondade sertifitseerimisnõuetele.

## Tootevastutus

Tootevastutusseaduste alusel ei vastuta me tootest tingitud kahjustuste eest, kui:

- toodet on valesti parandatud;
- toote parandamisel on kasutatud osi, mis ei ole tootja poolt valmistatud või heaks kiidetud;
- tootel on kasutatud tarvikut, mis ei ole tootja poolt valmistatud või heaks kiidetud;
- toodet ei ole parandatud volitatud hoolduskeskuses või volitatud isiku poolt.

## EL V



**HOIATUS:** Mootori igasugune modifitseerimine, muutmine või rikkumine tühistab toote EL-i tüübikinnituse.

## Ohutus

### Ohutuse määratlused

Mõistetega „hoiatus“, „ettevaatus“ ja „märkus“ juhitakse tähelepanu eriti olulistele kohtadele kasutusjuhendis.



**HOIATUS:** Tähistab kasutusjuhendi juhiste eiramise korral kasutaja või kõrvalseisjate kehavigastuse või surmaga lõppeva õnnetuse ohtu.



**ETTEVAATUST:** Tähistab kasutusjuhendi juhiste eiramise korral seadme, muude esemete või läheduses asuvate objektide kahjustamise ohtu.

**Märkus:** Tähistab antud olukorras vajalikku lisateavet.

### Vibratsiooniohutus

See toode on ette nähtud üksnes aeg-ajalt kasutamiseks. Toote pidev või regulaarne kasutamine võib põhjustada nn valgete sõrmede sündroomi või muid sarnaseid vibratsioonist tingitud meditsiinilisi probleeme. Kui kasutate toodet pidevalt või regulaarselt, kontrollige aeg-ajalt oma käte ja sõrmede seisundit. Kui teie kätel või sõrmedel muutub värv, tunnete valu või surinat või käed või sõrmed muutuvad tuimaks, lõpetage töötamine ja pöörduge kohe arsti poole.

### Üldised ohutuseeskirjad



**HOIATUS:** Enne seadme kasutamist lugege läbi järgnevad hoiatused.

- Kasutage toodet õigesti. Valesti kasutamise tagajärjeks võib olla kehavigastus või surm. Kasutage toodet ainult käesolevas kasutusjuhendis kirjeldatud tööde tegemiseks. Ärge kasutage toodet muude tööde tegemiseks.
- Järgige käesolevas kasutusjuhendis toodud juhiseid. Järgige hoiatussümboleid ja ohutuseeskirju. Kui operaator ei järgi juhiseid, eeskirju ja sümboleid, võib selle tagajärjeks olla kahjustus, kehavigastus või surm.
- Hoidke see kasutusjuhend alles. Tarvitage kasutusjuhendit toote kokkupanemisel, kasutamisel ja heas töökorras hoidmisel. Tarvitage kasutusjuhendit tarvikute ja lisavarustuse õigeks paigaldamiseks. Kasutage ainult heakskiidetud tarvikuid ja lisavarustust.
- Ärge kasutage kahjustatud toodet. Järgige hooldusskeemi. Tehke ainult neid hooldustöid, mille juhised on toodud selles kasutusjuhendis. Kõik ülejäänud hooldustööd peab tegema volitatud hoolduskeskus.
- Selles kasutusjuhendis ei saa kirjeldada kõiki olukordi, mis võivad toote kasutamise käigus ette tulla. Olge ettevaatlik ja kasutage tervet mõistust. Ärge kasutage toodet ega tehke hooldustöid, kui te pole antud olukorras kindel. Vestelge lisateabe saamiseks toote asjatundja, edasimüüja, hooldustöökoja või volitatud hoolduskeskuse esindajaga.
- Enne toote kokkupanemist, hoiule asetamist või hooldustööde tegemist lahutage süüteküünla juhe.
- Ärge kasutage toodet, kui selle algeid tehnilisi näitajaid on muudetud. Ärge muutke toote ühtegi osa ilma tootja heakskiiduta. Kasutage ainult tootja heakskiidetud osi. Vale hooldamise tagajärjeks võib olla kehavigastus või surm.

- Ärge hingake sisse mootori heitgaase. Mootori heitgaaside pikaajaline sissehingamine on tervisele ohtlik.
- Ärge käivitage toodet siseruumis ega tuleohtlike materjalide ligil. Heitgaasid on tulised ja võivad sisaldada sädemeid, mis võivad põhjustada tulekahju. Ebapiisav õhuvahetus võib põhjustada lämbumist või vingugaasimürgistusest tingitud kehavigastuse või surma.
- Toote mootor tekitab kasutamise ajal elektromagnetvälja. Elektromagnetväli võib kahjustada meditsiinilisi implantaate. Enne toote kasutamist pidage nõu oma arsti ja implantaadi valmistajaga.
- Ärge lubage lastel toodet käsitseda. Ärge lubage kasutusjuhistega mitte tutvunud isikul toodet käsitseda.
- Kui toodet kasutab piiratud füüsiliste või vaimsete võimete isik, peab ta olema kogu aeg järelevalve all. Vastutusvõimeline täiskasvanu peab kogu aeg kasutaja juures viibima.
- Kasutusel mitte olev toode lukustage kohta, kus lapsed ja volitamata isikud selle juurde ei pääse.
- Toode võib esemeid õhku paisata ja põhjustada kehavigastusi. Vigastus- ja surmaohu vähendamiseks järgige ohutuseeskirju.
- Ärge lahkuge töötava mootoriga toote juurest.
- Õnnetusjuhtumite eest toote kasutamisel vastutab toote operaator.
- Enne toote kasutamist veenduge, et kõik osad oleksid terved.
- Enne toote kasutamise alustamist veenduge, et teised inimesed ja loomad asuksid teist vähemalt 15 m (50 jala) kaugusel. Veenduge, et läheduses viibivad inimesed oleksid toote kasutamisest teadlikud.
- Tutvuge riiklike või kohalike eeskirjadega. Need võivad toote kasutamist teatud asjaoludel piirata või selle keelata.
- Ärge kasutage seadet, kui olete väsinud või tarvitanud alkoholi, narkootikume või ravimeid. See võib mõjutada teie nägemist, tähelepanelikkust, koordinaatsiooni või hinnangut.
- Enne käivitamist viige toode vähemalt 3 m (10 jala) kaugusele kohast, kus toimus kütusepaagi täitmine. Asetage toode tasasele pinnale. Veenduge, et lõikeosa ei puutuks vastu maad või muid esemeid.
- Toode võib esemeid õhku paisata ja see võib kahjustada silmi. Toote kasutamisel kandke alati heakskiidetud kaitseprille.
- Olge tähelepanelik, sest näiteks laps võib toote kasutamise ajal ootamatult teie lähedale tulla.
- Ärge kasutage toodet, kui tööpiirkonnas on inimesi. Peatage toode, kui tööpiirkonda siseneb inimene.
- Veenduge, et toode oleks alati teie kontrolli all.
- Ärge kasutage toodet, kui te ei saa võimaliku õnnetusjuhtumi korral kedagi appi kutsuda. Enne toote kasutamise alustamist veenduge alati, et teised oleksid toote kasutamisest teadlikud.
- Ärge pöörake end koos tootega enne, kui olete veendunud, et ohualas ei viibiks ühtegi inimest ega looma.
- Enne töö alustamist eemaldage tööpiirkonnast kõik sobimatud esemed. Kui lõikeosa pörkab vastu eset, võib ese õhku paiskuda ja põhjustada kehavigastuse või surma. Sobimatud esemed võivad lõikeosa külge takerduda ja põhjustada kahjustusi.
- Ärge kasutage toodet halva ilmaga (udu, vihm, tugev tuul, äikeseoht vms ilmaolud). Halva ilmaga võivad tekkida ohtlikud tingimused (näiteks libedad pinnad).
- Veenduge et saaksite liikuda vabalt ja töötada stabiilses asendis.

(Joon. 17)

- Kindlustage, et te ei saaks toote kasutamise ajal kukkuda. Ärge kallutage toote kasutamise ajal.
- Hoidke toodet alati kahe käega. Hoidke toodet endast paremal.

(Joon. 18)

- Toote kasutamise ajal peab lõikeosa asuma vöökohast allpool.
- Kui õhuklapp on mootori käivitamisel õhuklapi asendis, hakkab lõikeosa pöörlema.
- Pärast mootori seisumist ärge puudutage nurkreduktorit. Nurkreduktor on pärast mootori seisumist tuline. Tulised pinnad võivad põhjustada kehavigastusi.
- Enne toote liigutamist seisake mootor.
- Ärge asetage töötava mootoriga toodet maha.
- Enne toote külge jäänud kõrvaliste esemete eemaldamist seisake mootor ja oodake, kuni lõikeosa on peatunud. Enne kui teie ise või abiline asub kõrvalisi esemeid eemaldama, laske lõikeosal täielikult peatuda.

## Ohutusjuhised kokkupanekul



**HOIATUS:** Enne seadme kasutamist lugege läbi järgnevad hoiatused.

- Enne seadme kokkupanemist eemaldage süüteküünala kate süüteküünla küljest.
- Kandke heakskiidetud kaitsekindaid.
- Enne mootori käivitamist veenduge, et kinnitasite katte ja völli õigesti.

## Ohutusjuhised kasutamisel

- Enne toote kasutamist veenduge, et see oleks täielikult kokku pandud.

## Isikukaitsevahendid



**HOIATUS:** Enne seadme kasutamist lugege läbi järgnevad hoiatused.

- Toote kasutamise ajal kandke alati kohast isiklikku kaitsevarustust. Isiklik kaitsevarustus ei kõrvalda



täielikult kehavigastuste ohtu. Isiklik kaitsevarustus vähendab õnnetuse korral kehavigastuse raskusastet.

- Toote kasutamisel kandke alati heakskiidetud kaitseprille.
- Ärge käsitsege toodet paljajalu või lahtiste jalatsitega. Kandke alati vastupidavaid libisemiskindlaid jalanõusid.
- Kandke tugevaid pikki pükse.
- Vajaduse korral kandke heakskiidetud kaitsekindaid.
- Kui valitseb kõrgel asuvate esemete allakukkumise oht, kandke kiivrit.
- Toote kasutamisel kandke alati heakskiidetud kõrvaklappe. Pikaajaline müraekskonnas viibimine võib põhjustada mürast tingitud kuulmiskadu.
- Veenduge, et läheduses asuks esmaabikomplekt.

## Toote ohutusseadised



**HOIATUS:** Enne seadme kasutamist lugege läbi järgnevad hoiatused.

- Ärge kunagi kasutage seadet, kui selle ohutusseadised on defektsed.
- Kontrollige ohutusseadiseid regulaarselt. Vt jaotist *Toote tutvustus lk 110*.
- Kui ohutusseadised on defektsed, pöörduge Husqvarna hooldusesindusse.

## Gaasihoovastiku nupu lukk

Gaasihoovastiku nupu lukk lukustab gaasihoovastiku nupu.

(Joon. 19)

Gaasihoovastiku nupu (B) vabastamiseks vajutage gaasihoovastiku nupu lukku (A). Kui lasete käepidemest lahti, naasevad gaasihoovastiku nupu lukk ja gaasihoovastiku nupp tagasi algasendisse.

1. Gaasihoovastiku nupu luku (A) vabastamisel veenduge, et gaasihoovastiku nupp (B) oleks lukustatud tühikäigule.
2. Vajutage gaasihoovastiku nupu lukku (A) ja veenduge, et vabastamisel liiguks see tagasi algasendisse.
3. Vajutage gaasihoovastiku nuppu (A) ja veenduge, et vabastamisel liiguks see tagasi algasendisse.

Käivitage mootor ja rakendage täisgaas. Vabastage gaasihoovastiku nupp ja kontrollige, kas löikeosa peatub. Kui gaasihoovastiku tühikäigu asendis olemise ajal löikeosa pöörleb, kontrollige karburaatori tühikäigu reguleerimiskruvi.

## Seiskamislüliti

Käivitage mootor. Veenduge, et seiskamislüliti seadmisel seiskamisasendisse mootor seiskuks.

(Joon. 20)

## Löikeosa kaitse

Löikeosa kaitse takistab lahtiste esemete paiskumist seadmekasutaja suunas.

(Joon. 21)

Kontrollige, kas löikeosa kaitse on terve; kahjustuse korral asendage löikeosa. Kasutage löikeosal üksnes heakskiidetud kaitset.

## Summuti

- Ärge kasutage mootorit, kui summuti on kahjustatud. Kahjustatud summuti tõstab mürataset ja suurendab tulekahju ohtu. Hoidke tulekustuti käepärast.
- Kontrollige regulaarselt, kas summuti on toote küljes alles.
- Ärge puudutage mootorit ega summutit, kui mootor on tuline. Ärge puudutage mootorit ega summutit mõnda aega pärast mootori seiskamist. Tulised pinnad võivad põhjustada kehavigastusi.
- Tuline summuti võib põhjustada tulekahju. Olge väga ettevaatlik, kui kasutate toodet tuleohtlike vedelike või aurude läheduses.
- Kui summuti on kahjustatud, ärge puudutage summuti osi. Osad võivad sisaldada kantserogeenseid aineid.

## Löikeosa



**HOIATUS:** Enne seadme kasutamist lugege läbi järgnevad hoiatused.

- Tehke regulaarselt hooldustöid. Laske löikeosa volitatud hoolduskeskuses regulaarselt läbi vaadata ja teha vajalikud reguleerimis- või parandustööd.
  - Löikeosa jõudlus suureneb.
  - Löikeosa kasutusiga pikeneb.
  - Õnnetuste oht väheneb.
- Kasutage üksnes heakskiidetud löikeosa kaitset. Lisateavet leiate jaotisest *Lisatarvikud lk 120*.
- Ärge kasutage kahjustatud löikeosa.

## Ohutusnõuded kütuse käsitlemisel



**HOIATUS:** Enne seadme kasutamist lugege läbi järgnevad hoiatused.

- Ärge segage kütust siseruumides ega kuumusallika lähedal.
- Ärge käivitage toodet, kui toote pinnale on sattunud kütust või mootoriõli. Eemaldage kütus/õli toote pinnalt ja laske tootel kuivada. Eemaldage kütus toote pinnalt.
- Kui kütus satub rõivastele, siis vahetage kohe riideid.
- Vältige kütuse sattumist nahale, see võib põhjustada kehavigastusi. Kui kütus satub nahale, puhastage piirkond seebi ja veega.

- Ärge käivitage mootorit, kui kütus või õli satub toote pinnale või teie nahale.
- Ärge käivitage toodet, kui mootor lekib. Kontrollige regulaarselt mootori lekkekindlust.
- Olge kütuse käsitlemisel ettevaatlik. Kütus on tuleohtlik ja kütuse aurud on plahvatusohtlikud ning võivad põhjustada kehavigastusi või surma.
- Ärge hingake sisse kütuseaure, see võib põhjustada kehavigastuse. Tagage piisav õhuvahetus.
- Ärge suitsetage kütuse ega mootori läheduses.
- Ärge asetage kuumi esemeid kütuse ega mootori lähedusse.
- Ärge tankige kütust, kui mootor töötab.
- Enne tankimise alustamist veenduge, et mootor oleks külm.
- Enne tankimise alustamist avage aeglaselt kütusepaagi kork ja laske survel alaneda.
- Ärge tankige mootorit siseruumis. Ebapiisav õhuvahetus võib põhjustada lämbumise või vingugaasimürgistusest tingitud kehavigastuse või surma.
- Keerake kütusepaagi kork hoolikalt kinni, et vältida tulekahju.
- Enne käivitamist viige toode vähemalt 3 m (10 jala) kaugusele kohast, kus toimus kütusepaagi täitmine.
- Ärge tankige paaki liiga palju kütust.
- Veenduge, et toote või kütusenõu liigutamisel ei tekiks leket.
- Ärge asetage toodet või kütusenõu kohta, kus on lahtine leek, sädemed või süüteleek. Veenduge, et hoiukohas ei oleks lahtist leeki.

- Kütuse kandmiseks või hoidmiseks kasutage üksnes heakskiidetud mahuteid.
- Enne pikaajalisele hoiele jätmist tühjendage kütusepaak. Järgige kütuse kasutuselt kõrvaldamist reguleerivaid kohalikke eeskirju.
- Enne pikaajalisele hoiele jätmist puhastage toode.
- Enne toote hoiele jätmist eemaldage süüteküünla juhe, et välistada mootori tahtmatu käivitamise võimalus.

## Ohutusjuhised hooldamisel



**HOIATUS:** Enne seadme hooldustööde tegemist lugege läbi järgnevad hoiatused.

- Tehke üksnes käesolevas kasutusjuhendis kirjeldatud hooldustöid. Kõik muud hooldus- ja remonditööd tuleb lasta teha professionaalsetel hooldustöötajatel.
- Tehke käesolevas kasutusjuhendis kirjeldatud ohutuskontrolli toiminguid ja hooldustöid korrapäraselt. Korrapärane hooldus pikendab toote kasutusiga ja vähendab õnnetuste ohtu. Juhiseid vt *Hooldusskeem lk 117*.
- Kui pärast hooldustööde tegemist mõni käesolevas kasutusjuhendis kirjeldatud ohutuskontrolli toiming nurjub, pöörduge hooldusesindusse. Garanteerime, et hooldusesindus tehakse teie tootele professionaalsel tasemel remondi- ja hooldustööd.

## Kokkupanek

### Sissejuhatus



**HOIATUS:** Enne seadme kokkupanemist lugege põhjalikult läbi ohutust puudutav jaotis.



**HOIATUS:** Enne seadme kokkupanemist eemaldage süüteküünla juhe süüteküünla küljest.

### Silmuskäepideme paigaldamine

1. Pange silmuskäepide varrel olevate noolte vahele.
2. Silmuskäepideme kinnitamiseks varre külge pingutage polt kinni. (Joon. 22)

### Lõikeosa paigaldamine

#### Lõikeosa kaitse paigaldamine

1. Pange lõikeosa kaitse (A) varrele. (Joon. 23)

2. Pange kronstein (B) lõikeosa kaitse peal olevasse pesse.
3. Lükake polt (C) läbi lõikeosa kaitse kronsteini augu.

#### Trimmeripea paigaldamine

1. Veenduge, et lõikeosa kaitse (A) oleks seadmega ühendatud. Vt jaotist *Lõikeosa kaitse paigaldamine lk 114*. (Joon. 24)
2. Veenduge, et veoketas (C) oleks ühendatud väljuva völliiga (D).
3. Pange auku tähtvõti (B), et völli lukustuks.
4. Paigaldage väljuvale völliile trimmeripea (E).
5. Keerake trimmeripead vastupäeva, et see väljuva völli külge kinni keerata. (Joon. 25)
6. Eemaldage tähtvõti.

## Sissejuhatus



**HOIATUS:** Enne seadme kasutamist lugege põhjalikult läbi ohutust puudutav jaotis.

## Kütus

Tootel on kahetaktiline mootor.



**ETTEVAATUST:** Vale kütuse kasutamine võib mootorit kahjustada. Kasutage bensiini ja kahetaktiõli segu.

## Eelsegatud kütus

- Parima jõudluse saavutamiseks ja mootori tööea pikendamiseks kasutage kvaliteetset Husqvarna eelsegatud alkülaatkütust. See kütus sisaldab tavalise kütusega võrreldes vähem kahjulikke kemikaale, mis omakorda vähendab kahjulikke heitgaase. Selle kütuse korral on põlemisjääkide hulk väiksem ja see aitab hoida mootoriosad puhtamana.

## Kütuse segamine

### Bensiin



**ETTEVAATUST:** Ärge kasutage bensiini, mille oktaaniarv on alla 90 RON (87 AKI). See võib toodet kahjustada.



**ETTEVAATUST:** Ärge kasutage bensiini, mille etanoolisisaldus (E10) on üle 10%. See võib toodet kahjustada.

- Kasutage alati värsket pliivaba bensiini, mille oktaaniarv on vähemalt 90 RON (87 AKI) ja etanoolisisaldus (E10) alla 10%.
- Kui toode töötab sageli püsivalt kõrge mootori kiirusega, kasutage suurema oktaaniarvuga bensiini.

### Kahetaktiõli

- Parimate tulemuste ja jõudluse saavutamiseks kasutage Husqvarna kahetaktiõli.
- Kui Husqvarna kahetaktiõli pole saadaval, kasutage õhkjahutusega mootoritele mõeldud kvaliteetset kahetaktiõli. Õige õli valimiseks pöörduge hooldusesindusse.



**ETTEVAATUST:** Ärge kasutage vesijahutusega püramootoritele mõeldud kahetaktiõli, mida tuntakse ka paadimootoriõlina. Ärge kasutage neljataktilmootori õlisid.

## Bensiini ja kahetaktiõli segamine

Bensiin, l	Kahetaktiõli, l
	<b>2% (50:1)</b>
5	0,10
10	0,20
15	0,30
20	0,40



**ETTEVAATUST:** Väikeste kütusekoguste segamisel võib väike viga segusuhet oluliselt mõjutada. Mõõtk segatava õli kogus väga täpselt ja veenduge, et segu oleks õige.

(Joon. 26)

- Valage puhtasse kütusenõusse pool bensiinikogusest.
- Valage nõusse kogu vajaminev õlikogus.
- Segage kütusesegu.
- Lisage nõusse ülejäänud bensiinikogus.
- Segage kütusesegu hoolikalt.



**ETTEVAATUST:** Ärge segage kütust korraga rohkem, kui on teie ühe kuu varu.

## Kütuse tankimine

- Kasutage alati ülevoolukaitsega kütusenõu.
- Kui nõus on kütust, eemaldage ebavajalik kütus ja laske nõul kuivada.
- Veenduge, et kütusepaagi korgi ümbrus oleks puhas.
- Enne kütusesegu lisamist kütusepaaki loksutage kütusenõud.

## Sissetöötamine

- Esimese 10 töötundi vältel ärge rakendage pikemalt ilma koormuseta täisgaasi.

## Käivitamine ja seiskamine

### Mida enne alustamist kontrollida

- Veenduge, et seadmel poleks puuduvaid, katkisi, lahtisi või kulunud osasid.
- Veenduge, et kõik mutrid, kruvid ja poldid oleksid pingutatud.
- Veenduge, et trimmeripea oleks kahjustamata.
- Veenduge, et õhufilter poleks ummistunud.

5. Veenduge, et toote ohutusseadistel poleks defekte.
6. Veenduge, et tootel poleks kütuselekkideid.

## Külma mootori käivitamine

1. Vajutage kütusepumpa 10 korda. (Joon. 27)
2. Tõmmake õhuklapp üles. (Joon. 28)
3. Suruge toote korpus vasaku käega vastu maad. (Joon. 29) Ärge astuge tootele. Tõmmake aeglaselt käivitusnööri käepidet, kuni tunnete vastupanu. Siis tõmmake käivitusnööri käepidet jõuga.

**Märkus:** Mootorit käivitades ärge tõmmake gaasihoovastiku nuppu.

4. Tõmmake käivitusnööri käepidet, kuni mootor käivitub või püüab käivituda (mitte üle kolme tõmbe). Kui mootor käivitub või püüab käivituda, lükake õhuklapp alla. Jätkake tõmbamist, kuni mootor käivitub. Pärast käivitumist oodake 60 sekundit ja alles siis tõmmake gaasihoovastiku nuppu.



**ETTEVAATUST:** Ärge tõmmake käivitusnööri enne, kui see peatub. Ärge laske täiesti välja tõmmatud käivitusnööri käest lahti. Vabastage käivitusnõör aeglaselt. Nende juhiste eiramine võib mootorit kahjustada.

## Sooja mootori käivitamine

1. Vajutage kütusepumpa 10 korda.
2. Tõmmake käivitusnööri, kuni mootor käivitub.

## Mootori käivitamine ülekuumenenud kütusega

Kui toode ei käivitu, võib kütus olla ülekuumenenud.

**Märkus:** Kasutage värsket kütust ja vähendage soojade ilmade korral tööaega.

1. Asetage toode jahedasse kohta, mis on varjatud otsese päikesevalguse eest.
2. Laske tootel vähemalt 20 minutit jahtuda.
3. Vajutage õhukolbi pumpa uuesti 10–15 sekundit.
4. Järgige külma mootori käivitamise juhiseid. Vt jaotist *Külma mootori käivitamine lk 116*.

## Seiskamine

- Mootori seiskamiseks vajutage seiskamislülit. (Joon. 30)

**Märkus:** Seiskamislüliti naaseb automaatselt algasendisse.

## Murutrimmeri käsitsemine



**ETTEVAATUST:** Alati pärast tööoperatsiooni lõpetamist aeglustage

mootor tühikäigu pöörete arvule. Pika aja vältel ilma koormuseta täisgaasil töötamine võib mootorit kahjustada.

**Märkus:** Uue trimmerijõhvi paigaldamisel puhastage vibratsiooni vältimiseks trimmeripea kate. Kontrollige üle ja vajaduse korral puhastage ka trimmeripea muud osad.

## Muru pügamine

1. Hoidke trimmipead nurga all maapinna kohal. Ärge vajutage trimmerijõhvi rohu sisse. (Joon. 31)
2. Lühendage trimmerijõhvi pikkust 10–12 cm (4–4,75 tolli).
3. Taimede kahjustamise ohu vähendamiseks vähendage mootori kiirust.
4. Esemete või rajatiste lähedal asuva muru pügamisel rakendage 80% gaasi. (Joon. 32)

## Rohu lõikamine

1. Lõikamisel jälgige, et trimmijõhv asuks maapinnaga paralleelselt. (Joon. 33)
2. Ärge vajutage trimmeripead vastu maapinda. See võib kahjustada maapinda ja todet.
3. Jälgige, et trimmeripea ei puutuks pidevalt vastu maapinda, sest see võib trimmeripead kahjustada.
4. Kui liigutate muru lõigates toodet küljelt-küljele, rakendage täisgaasi. Veenduge, et trimmerijõhv asuks maapinnaga paralleelselt. (Joon. 34)

## Rohutrimmeripea

- Vibratsiooni vähendamiseks kerige rohutrimmeri jõhv trumlike tihedalt ja ühtlaselt.
- Kasutage üksnes heakskiidetud rohutrimmeripäid ja rohutrimmeri jõhve. Vt jaotist *Lisatarvikud lk 120*.
- Kasutage õige pikkusega rohutrimmeri jõhvi. Pikk rohutrimmeri jõhv tarvitab rohkem mootori võimsust kui lühike rohutrimmeri jõhv.
- Kontrollige, et löikeosa kaitse peal asetsev lõikur ei oleks kahjustatud.
- Enne rohutrimmeri jõhvi tootele paigaldamist leotage jõhvi kaks päeva vees. See pikendab rohutrimmeri jõhvi kasutusiga.

## Trimmerijõhvi vahetamine

(Joon. 35)  
(Joon. 36)  
(Joon. 37)  
(Joon. 38)  
(Joon. 39)  
(Joon. 40)  
(Joon. 41)  
(Joon. 42)

# Hooldamine

## Sissejuhatus



**HOIATUS:** Enne seadme hooldamist lugege põhjalikult läbi ohutust puudutav peatükk.

Toote hooldamiseks ja remontimiseks on vaja erioskusi. Tagame asjatundliku remondi- ja hooldustöö. Kui edasimüüjal, kellelt toote ostsite, pole hooldustöökoda, küsige neilt teavet lähima hooldustöökoja kohta.

## Hoolduskeem

### Iganädalane hooldus

- Puhastage välispinnad.
- Veenduge, et löikeosa ei liiguks tühikäigul. Vt jaotist *Tühikäigu pöörete arvu reguleerimine lk 117*.
- Kontrollige nurkreduktori määarde taset. Vt jaotist *Nurkreduktori määrimine lk 118*.

### Igakuine hooldus

- Veenduge, et käivitusnööri käepide ja käivitusnõör poleks kahjustatud.

### Iga-aastane hooldus

- Kontrollige süüteküünalt. Vt jaotist *Süüteküünla kontrollimine lk 117*
- Puhastage karburaatori ja selle ümbruse välispinnad.
- Puhastage jahutussüsteemi.
- Kontrollige sädemepüüdurit. Vt jaotist *Sädemepüüduri hooldamine lk 117*.
- Kontrollige kütusefiltrit.
- Veenduge, et kütusevoolik oleks kahjustamata.
- Veenduge, et toote kaablid ja ühendused poleks kahjustatud.

## Tühikäigu pöörete arvu reguleerimine

- Enne tühikäigu pöörete arvu reguleerimist veenduge, et õhufilter oleks puhas ja õhufiltri kate asuks oma kohal.
  - Reguleerige tühikäigu pöörete arvu tühikäigu reguleerimiskruviga T, mis kannab tähist „T”.
  - Tühikäigu pöörete arv on õige siis, kui mootor töötab igas asendis ühtlaselt. Tühikäigu pöörete arv peab jääma allapoole löikeosa pöörlema hakkamise kiirusest.
1. Keerake tühikäigu reguleerimiskruvi päripäeva, kuni löikeosa hakkab pöörlema. (Joon. 43)
  2. Keerake tühikäigu reguleerimiskruvi vastupäeva, kuni löikeosa peatub.

## Sädemepüüduri hooldamine

Puhastage sädemepüüdur terasharjaga. (Joon. 44)

## Jahutussüsteemi puhastamine

Puhastage jahutussüsteemi osad harjaga. (Joon. 45)

## Süüteküünla kontrollimine



**ETTEVAATUST:** Kasutage soovitatud tüüpi süüteküünalt. Veenduge, et asendustööde oleks sama mis tootja tarnitud osa. Vale süüteküünal võib toodet kahjustada.

1. Kontrollige süüteküünalt, kui:
  - a) mootor töötab vähese võimsusega;
  - b) mootori käivitamine on raskendatud;
  - c) mootor ei tööta tühikäigul õigesti.
2. Kui mootori käivitamine või töötamine on raskendatud, kontrollige, kas süüteküünal leidub võõraineid. Süüteküünla elektrodidele võõrainete kogunemise ohu vähendamiseks:
  - a) veenduge, et tühikäigu pöörete arv oleks õigesti reguleeritud;
  - b) veenduge, et kütusesegu oleks õige;
  - c) veenduge, et õhufilter oleks puhas.
3. Puhastage määratud süüteküünal. Veenduge, et elektrodide vahe on õige. (Joon. 46)
4. Vajaduse korral asendage süüteküünal.

## Õhufiltri hooldamine

### Õhufiltri puhastamine

1. Eemaldage õhufiltri kate ja õhufilter. (Joon. 47)
2. Puhastage õhufilter sooja seebiveega. Enne tagasi paigaldamist veenduge, et õhufilter oleks kuiv.
3. Kui õhufilter on puhastamiseks liiga määratud, asendage see. Kahjustatud õhufilter tuleb alati välja vahetada.
4. Kui tootel on vahtplastist õhufilter, kandke sellele õhufiltri õli. Kandke õhufiltri õli ainult vahtplastist filtrile. Ärge kandke õli vildist filtrile.

### Õhufiltri õli kandmine õhufiltrile



**ETTEVAATUST:** Kasutage vahtplastist õhufiltritel alati spetsiaalset õhufiltri õli. Ärge kasutage teist tüüpi õlisid.



**HOIATUS:** Vältige õli sattumist nahale.

1. Eemaldage õhufiltri kate ja õhufilter. (Joon. 48)
2. Asetage õhufilter kilekotti.
3. Asetage õhufiltri õli kilekotti. (Joon. 49)
4. Vajutage kilekotti, et õli kanduks ühtlaselt kogu õhufiltrile.

5. Vajutage kotis olevat õhufiltrit, et eemaldada üleliigne õhufiltri õli. Võtke õhufilter kotist välja.
6. Paigaldage õhufilter.

## Nurkreduktori määrimine

Veenduge, et nurkreduktor oleks 3/4 ulatuses reduktorimäärdega täidetud.

(Joon. 50)

## Veotsing

### Mootor ei käivitu

Kontrollige	Võimalik põhjus	Toiming
Seiskamisülüiti.	Seiskamisülüiti on seiskamisasendis.	Viige pealüliti ON asendisse.
Starterikutsikad.	Starterikutsikad ei saa vabalt liikuda.	Eemaldage starterikate ja puhastage starterikutsikate ümbrus.
		Pöörduge abi saamiseks volitatud hooldustöökotta.
Kütusepaak.	Vale kütusetüüp.	Tühjendage kütusepaak ja täitke õige kütusega.
Süüteküünal.	Süüteküünal on määrdunud või märg.	Veenduge, et süüteküünal on kuiv ja puhas.
	Süüteküünla elektrodide vahe on vale.	Puhastage süüteküünal. Veenduge, et elektrodide vahe oleks õige. Veenduge, et süüteküünlal on raadiohäirete kaitse.
		Vaadake õiget elektroodi vahet tehnilistest andmetest.
	Süüteküünal on lahti.	Keerake süüteküünal kinni.

### Mootor käivitub, kuid seejärel seiskub

Kontrollige	Võimalik põhjus	Toiming
Kütusepaak	Vale kütusetüüp.	Tühjendage kütusepaak ja täitke õige kütusega.
Õhufilter	Õhufilter on ummistunud.	Puhastage õhufilter.

## Transportimine, hoiepanek ja utiliseerimine

### Transportimine ja hoiustamine

- Laske seadmel enne transportimist või hoiukohta panemist jahtuda.

- Enne pikaks ajaks hoiepanekut eemaldage süüteküünla kate.
- Kinnitage seade transpordi ajaks. Veenduge, et see ei pääseks liikuma.

- Veenduge, et transpordi ega hoiukohas hoidmise ajal ei oleks kütuselekete, kütuseaurude, sädemega leegiohtu.

- Enne pikaks ajaks hoivulepanekut puhastage ja hooldage toode.

## Tehnilised andmed

### Tehnilised andmed

	<b>325L</b>
	<b>A05328CSHV</b>
<b>Mootor</b>	
Silindrimaht, cm <sup>3</sup>	27,6
Tühikäigu pöörete arv, p/min	2800–3200
Soovituslik suurim pöörete arv, p/min	8000
Võimsus / mootori max võimsus ISO 8893 järgi, kW/hj @ p/min	0,9/1,2 @ 8000
Katalüsaatoriga summuti	Jah
Väljuva völli pöörlemiskiirus, p/m	7200
<b>Süütesüsteem</b>	
Süüteküünel	Husqvarna HQT-4
Elektroodide vahe, mm	0,5
<b>Kütusesüsteem</b>	
Kütusepaagi maht, l/cm <sup>3</sup>	0,343/343
<b>Toote mõõtmed</b>	
Kaal (v.a löikeosa), kg	5,0
<b>Müratasemed<sup>25</sup></b>	
Müravõimsustase, garanteeritud (L <sub>WA</sub> ), dB(A)	114
Müravõimsustase, mõõdetud, dB(A)	110
<b>Müratase<sup>26</sup></b>	
Helitugevus operaatori kõrvade juures trimmeripea kasutamisel, dB(A)	93
<b>Vibratsioonitase<sup>27</sup></b>	
Vasaku käepideme vibratsioon (ahv, eq) trimmeripea kasutamisel, m/s <sup>2</sup>	4,2

<sup>25</sup> Müraemissioon ümbritsevasse keskkonda, mõõdetud helivõimsuse tasemena (L<sub>WA</sub>) vastavalt EÜ direktiivile 2000/14/EÜ. Toote antud müratase mõõdeti enim müra tekitava originaalsagimisseadme kasutamisel. Erinevus garanteeritud ja mõõdetud helivõimsustaseme vahel seisneb selles, et direktiivi 2000/14/EÜ alusel hõlmab garanteeritud helivõimsustase ka mõõtmistulemuste dispersiooni ja kõrvalekaldeid sama mudeli erinevate toodete vahel.

<sup>26</sup> Esitatud andmetel on seadme helirõhutaseme ekvivalendil tüüpiline statistiline dispersioon (standardhälve) 1 dB(A).

<sup>27</sup> Ekvivalentse vibratsioonitaseme kohta toodud andmete tüüpiline statistiline dispersioon (standardhälve) on 1 m/s<sup>2</sup>.

	<b>325L</b> <b>A05328CSHV</b>
Parema käepideme vibratsioon (ahv, eq) trimmeripea kasutamisel, m/s <sup>2</sup>	6,1

---

## Lisatarvikud

---

### Lisavarustus

Heakskiidetud lisavarustus	Tüüp	Lõikepea kaitse
Keermevars	M10L	
Trimmeripea	T35, Ø 2,4 mm	588 54 37-01



---

# EÜ vastavusdeklaratsioon

---

## EL-i vastavusdeklaratsiooni sisu

Meie, Husqvarna AB, SE 561 82 Huskvarna, ROOTSI, deklareerime ainuvastutusel, et kirjeldatud toode:

<b>Kirjeldus</b>	<b>Bensiinimootoriga murutrimmer/võsalõikur</b>
Kaubamärk	Husqvarna
Platvorm/tüüp/mudel	Platvorm A05328CSHV, mille alla kuulub mudel 325L.
Partii	Seerianumber alates 2018. aastast.

vastab täielikult järgmistele EÜ direktiividele ja eeskirjadele:

Direktiiv/eeskiri	Kirjeldus
2006/42/EÜ	„masinadirektiiv“
2014/30/EL	„elektromagnetilise ühilduvuse direktiiv“
2000/14/EÜ	„välitingimustes kasutatavate seadmete müra direktiiv“
2011/65/EL	„direktiiv teatavate ohtlike ainete kasutamise piiramise kohta“

Kohalduvad järgmised ühtlustatud standardid ja/või tehnilised spetsifikatsioonid: EN ISO 12100, EN ISO 11806-1, CISPR 12, ISO 14982, EN 50581:2012 .

Vastavalt direktiivi 2000/14/EÜ lisale V on deklareeritud helitaseme väärtused toodud tehniliste andmete jaotises ja allkirjastatud EÜ vastavusdeklaratsioonis.

TÜV Rheinland N.A. on teostanud Husqvarna AB tellimusel vabatahtliku ekspertiisi ja väljastanud vastavussertifikaadi vastavalt EÜ Nõukogu masinadirektiivile 2006/42/EÜ.

Allkirjastatud EÜ vastavusdeklaratsioonil toodud sertifikaat kehtib kõikidele tootel viidatud tootmiskohtadele ja päritoluriikidele.

Tarnitud bensiinimootoriga murutrimmer/võsalõikur vastab näidisele, mis läbis ekspertiisi.

---

## Sisältö

---

Johdanto.....	122	Vianmääritys.....	130
Turvallisuus.....	123	Kuljettaminen, säilyttäminen ja hävittäminen.....	131
Asentaminen.....	126	Tekniset tiedot.....	131
Toiminta.....	127	Lisävarusteet.....	132
Huolto.....	129	EY-vaatimustenmukaisuusvakuutus.....	133

---

## Johdanto

---

### Käyttöohjekirja

Tämän käyttöohjekirjan alkuperäiskieli on englanti. Muunkieliset käyttöohjekirjat ovat käännöksiä englannista.

### Käyttötarkoitus

Laitetta käytetään siimapään kanssa ruohon leikkaamiseen. Älä käytä laitetta muuhun kuin ruohontrimmaukseen ja ruohonraivaukseen.

### Tuotteen kuvaus

(Kuva 1)

1. Siimapää
2. Voiteluaineen täyttöaukko
3. Kulmavaihte
4. Terälaitteen suojus
5. Runkoputki
6. Kaarikahva
7. Turvaliipaisin
8. Pysäytin
9. Turvaliipaisimen varmistin
10. Sytytystulpan suojus, sytytystulppa
11. Käynnistyslaitteen kotelo
12. Käynnistysköyden kahva
13. Polttoainesäiliö
14. Ilmansuodattimen kansi
15. Polttoaineen ilmauspumppu
16. Rikastimen ohjain
17. Jousilevy
18. Käyttöohje
19. Tähtiavain

### Laitteen symbolit

- (Kuva 2) **VAROITUS!** Tämä laite on vaarallinen. Laitteen huolimaton tai virheellinen käyttö voi aiheuttaa käyttäjälle tai sivullisille vammoja tai kuoleman. Käyttäjän ja sivullisten vammojen välttämiseksi kaikki käyttöohjekirjan turvaohjeet on luettava ja niitä on noudatettava.

**Huomautus:** Kansalliset määräykset saattavat rajoittaa tuotteen käyttöä.

---

- (Kuva 3) Lue käyttöohje huolellisesti ja varmista, että ymmärrät sen sisällön, ennen kuin alat käyttää konetta.
- (Kuva 4) Käytä hyväksytyjä kuulonsuojaimia. Käytä hyväksytyjä silmäsuojaimia.
- (Kuva 5) Laite voi saada esineitä sinkoutumaan, mikä voi aiheuttaa vammoja.
- (Kuva 6) Käyttöakselin enimmäisnopeus.
- (Kuva 7) Pysy vähintään 15 metrin (50 ft) etäisyydellä ihmisistä ja eläimistä laitteen käytön aikana.
- (Kuva 8) Käytä vain joustavaa siimaa.
- (Kuva 9) Älä käytä metallisia leikkuuteriä.
- (Kuva 10) Nuolet osoittavat kahvan asennon rajat.
- (Kuva 11) Polttoaineen ilmauspumppu.
- (Kuva 12) Rikastin.
- (Kuva 13) Polttonesteeseen täyttö.
- (Kuva 14) Melupäästöt ympäristöön ovat Euroopan yhteisön direktiivin mukaiset. Tuotteen päästöt ilmoitetaan luvussa Tekniset tiedot ja arvokilvessä.
- (Kuva 15) Laite täyttää voimassa olevien EY-direktiivien vaatimukset.
- (Kuva 16) Laite täyttää voimassa olevien EAC-direktiivien vaatimukset.

Sarjanumero on tyyppikilvessä.  
**yyyy** tarkoittaa valmistusvuotta ja **ww** valmistusviikkoa.  
**xxxx** on tuotteen sarjanumero.

yyyywwxxxx

**Huomautus:** Muita laitteiden symboleita/tarroja tarvitaan muilla markkina-alueilla ilmaisemaan sertifiointivaatimuksia.

## Tuotevastuu

Tuotevastuulain mukaisesti emme ole vastuussa tuotteen aiheuttamasta vaurioista, jos

- tuote on korjattu virheellisesti
- tuotteen korjaamiseen on käytetty muita kuin valmistajan omia tai sen hyväksymiä osia
- tuotteessa on muu kuin valmistajan oma tai sen hyväksymä lisävaruste
- tuotetta ei ole korjattu valtuutetussa huoltopisteessä tai hyväksytyllä asiantuntijalla.

## EU V



**VAROITUS:** Moottorin muokkaaminen mitätöi tuotteen EU-tyyppihyväksynnän.

## Turvallisuus

### Turvallisuusmääritelmät

Varoituksia, huomioita ja huomautuksia käytetään, kun jotakin käyttöohjeen osaa halutaan erityisesti korostaa.



**VAROITUS:** Tätä käytetään, jos käyttöohjeen noudattamatta jättämisestä voi seurata käyttäjän tai sivullisen vamma tai kuolema.



**HUOMAUTUS:** Tätä käytetään, jos käyttöohjeen noudattamatta jättämisestä voi ympäristön vaurioituminen.

**Huomautus:** Tätä käytetään tietyissä tilanteissa tarvittavien lisätietojen antamiseen.

### Tärinäturvallisuus

Tämä laite on tarkoitettu vain tilapäiseen käyttöön. Laitteen jatkuva tai säännöllinen käyttö voi aiheuttaa valkosormisuutta tai vastaavia tärinän aiheuttamia terveydellisiä ongelmia. Tutki käsiesi ja sormiesi kunto, jos käytät laitetta jatkuvasti tai säännöllisesti. Käänny välittömästi lääkärin puoleen, jos käsissäsi tai sormissasi esiintyy värinmuutoksia, kipua, kihelmöintiä tai ne puuttuvat tai eivät toimi.

### Yleiset turvaohjeet



**VAROITUS:** Lue seuraavat varoitusohjeet ennen koneen käyttämistä.

- Käytä laitetta oikein. Virheellinen käyttö voi aiheuttaa tapaturman tai kuoleman. Käytä laitetta vain tässä

käyttöohjekirjassa esitettyihin tehtäviin. Älä käytä laitetta muihin tehtäviin.

- Noudata tämän käyttöohjekirjan ohjeita. Noudata turvallisuussymboleita ja turvaohjeita. Jos käyttäjä ei noudata ohjeita ja symboleita, seurauksena voi olla vamma, vaurio tai kuolema.
- Älä hävitä tätä käyttöohjekirjaa. Noudata laitteen asennusta, käyttöä ja kunnossapitoa koskevia ohjeita. Asenna lisälaitteet ja lisävarusteet oikein ohjeiden mukaisesti. Käytä vain hyväksytyjä lisälaitteita ja lisävarusteita.
- Älä käytä vaurioitunutta laitetta. Noudata huoltokaaviota. Tee vain sellaisia huoltotöitä, joita koskevat ohjeet löytyvät tästä käyttöohjekirjasta. Valtuutetun huoltopisteen on tehtävä kaikki muut huoltotyöt.
- Tämä käyttöohjekirja ei voi sisältää kaikkia laitteen käyttöön liittyviä tilanteita. Ole varovainen ja käytä tervettä järkeä. Älä käytä laitetta tai huolla sitä, jos et ole varma tilanteesta. Kysy ohjeita laitteen asiantuntijalta, jälleenmyyjältä, huoltoosastolta tai valtuutetusta huoltopisteestä.
- Irrota sytytystulpan johto ennen laitteen asentamista, säilytykseen siirtämistä tai huoltoa.
- Älä käytä laitetta, jos sen alkuperäisiä ominaisuuksia on muutettu. Älä muuta edes osaa laitteesta ilman valmistajan lupaa. Käytä ainoastaan valmistajan hyväksymiä osia. Virheellinen huolto voi aiheuttaa tapaturman tai kuoleman.
- Älä hengitä moottorin kaasuja. Moottorin pakokaasujen pitkäaikainen hengittäminen on terveydelle vaarallista.
- Älä käynnistä laitetta sisätiloissa tai lähellä herkästi syttyvää materiaalia. Pakokaasut ovat kuumia ja voivat sisältää kipinöitä, jotka voivat aiheuttaa tulipalon. Jos ilmanvirtaus ei ole riittävä, tukehtuminen tai hiilimonoksidin hengittäminen voi aiheuttaa vamman tai kuoleman.

- Kun laitetta käytetään, moottori muodostaa sähkömagneettisen kentän. Sähkömagneettinen kenttä voi vaurioittaa lääketieteellisiä implantteja. Neuvottele lääkärin ja lääketieteellisen implantin valmistajan kanssa, ennen kuin käytät laitetta.
- Älä anna lasten käyttää laitetta. Konetta saavat käyttää vain henkilöt, jotka ovat lukeneet ohjeet.
- Muista aina valvoa laitetta käyttävää henkilöä, jonka fyysiset tai psyykkiset taidot ovat heikentyneet. Vastuullisen aikuisen on oltava aina paikalla.
- Lukitse laite paikkaan, johon lapset ja asiattomat henkilöt eivät pääse.
- Laite voi saada esineitä sinkoutumaan ja aiheuttaa näin vammoja. Noudata turvaohjeita tapaturmien tai kuoleman vaaran ehkäisemiseksi.
- Älä poista laitteen luota, kun moottori on käynnissä.
- Laitteen käyttäjä on vastuussa, jos tapahtuu onnettomuus.
- Varmista ennen laitteen käyttämistä, ettei osissa ole vaurioita.
- Varmista ennen laitteen käyttämistä, että olet vähintään 15 m:n etäisyydellä muista ihmisistä tai eläimistä. Varmista, että lähistöllä olevat henkilöt tietävät sinun aikovan käyttää laitetta.
- Noudata kansallisia ja paikallisia lakeja. Ne voivat estää laitteen käytön tai rajoittaa sitä joissakin olosuhteissa.
- Älä käytä laitetta ollessasi väsynyt tai jos olet alkoholin, huumaavien aineiden tai lääkkeiden vaikutuksen alaisena. Ne voivat vaikuttaa näkökykyyn, vireyteen, harkintakykyyn tai kehon hallintaan.
- Älä käytä laitetta, jos työskentelyalueella on ihmisiä. Sammuta laite, jos työskentelyalueelle tulee ihminen.
- Varmista, että laite on aina hallinnassasi.
- Älä käytä laitetta, jos et voi saada apua onnettomuuden sattuessa. Varmista aina ennen käytön aloittamista, että muut tietävät sinun käyttävän laitetta.
- Älä käänny laitteen kanssa, ennen kuin olet varmistanut, ettei turva-alueella ole ihmisiä tai eläimiä.
- Poista kaikki ylimääräiset materiaalit työskentelyalueelta ennen aloittamista. Jos terälaite osuu esineeseen, esine voi sinkoutua ja aiheuttaa vamman tai vaurion. Terälaitteen ympärille voi kiertyä ei-toivottua materiaalia, mikä voi aiheuttaa vaurion.
- Älä käytä laitetta huonolla säällä (sumu, sade, kova tuuli, ukkonen tai muut sääolosuhteet). Huono sää voi aiheuttaa vaaratilanteita (kuten liukastumisvaaran).
- Varmista, että pystyt liikkumaan vapaasti ja työskentelemään tukevassa asennossa.

(Kuva 17)

- Varmista, ettei voi kaatua, kun käytät laitetta. Älä kallistu, kun käytät laitetta.
- Pidä laitetta aina molemmin käsin. Pidä laitetta kehon oikealla puolella.

(Kuva 18)

- Käytä laitetta siten, että terälaite on vyötärön alapuolella.
- Jos rikastinvipu on rikastusasennossa, kun moottori käynnistyy, terälaite alkaa pyöriä.
- Älä koske kulmavaihteeseen moottorin sammuttamisen jälkeen. Kulmavaihteeseen on kuuma moottorin sammuttua. Kuumat kohdat voivat aiheuttaa vamman.
- Sammuta moottori ennen laitteen siirtämistä.
- Älä laske laitetta maahan, kun moottori on käynnissä.
- Ennen kuin poistat ei-toivotut materiaalit laitteesta, sammuta moottori ja odota, että terälaite pysähtyy. Anna terälaitteen pysähtyä ennen leikkuujätteen poistamista.

## Henkilökohtainen suojarustus



**VAROITUS:** Lue seuraavat varoitusohjeet ennen koneen käyttämistä.

## Turvallisuusohjeet asentamista varten



**VAROITUS:** Lue seuraavat varoitusohjeet ennen laitteen käyttämistä.

- Irrota sytytystulpan suojus sytytystulpasta ennen laitteen asentamista.
- Käytä hyväksytyjä suojakäsineitä.
- Varmista ennen moottorin käynnistämistä, että olet asentanut kotelon ja runkoputken oikein.

## Turvallisuusohjeet käyttöä varten

- Varmista ennen laitteen käyttämistä, että se on valmiiksi koottu.
- Siirrä laite ennen käynnistämistä 3 metrin (10 ft) päähän paikasta, jossa täytit polttoainesäiliön. Aseta laite tasaiselle alustalle. Varmista, ettei terälaite pääse osumaan maahan tai mihinkään esineeseen.
- Laite voi saada esineitä sinkoutumaan, mikä voi vahingoittaa silmiä. Käytä aina hyväksytyjä silmäsuojaimia, kun käytät laitetta.
- Ole varovainen laitetta käyttäessäsi, sillä lapsi voi tulla laitteen lähelle huomaamattasi.

- Käytä aina oikeanlaista henkilökohtaista suojarustusta, kun käytät laitetta. Henkilökohtainen suojarustus ei poista tapaturmien vaaraa. Henkilökohtainen suojarustus lieventää vammaa, jos sattuu onnettomuus.
- Käytä aina hyväksytyjä silmäsuojaimia, kun käytät laitetta.

- Älä käytä laitetta paljain jaloin tai avonaisissa jalkineissa. Käytä aina kestäviä luistamattomia jalkineita.
- Käytä vahvakankaisia, pitkiä housuja.
- Käytä suojakäsineitä tarvittaessa.
- Käytä kypärää, jos on mahdollista, että päähän putoaa esineitä.
- Käytä aina hyväksytyjä kuulonsuojaimia, kun käytät laitetta. Pitkäkestoinen melulle altistuminen voi aiheuttaa kuulovaurioita.
- Varmista, että lähistöllä on ensiapupakkaus.

## Tuotteen turvalaitteet



**VAROITUS:** Lue seuraavat varoitusohjeet ennen koneen käyttämistä.

- Älä käytä konetta, jos jokin sen turvalaitteista on rikki.
- Tarkasta turvalaitteet säännöllisesti. Katso *Tuotteen kuvaus sivulla 122*.
- Jos turvalaitteissa on vikoja, ota yhteyttä Husqvarna-huoltoiliikkeeseen.

## Turvaliipaisimen varmistin

Turvaliipaisimen varmistin lukitsee turvaliipaisimen. (Kuva 19)

Paina turvaliipaisimen varmistinta (A) turvaliipaisimen (B) vapauttamiseksi. Kun vapautat kahvan, turvaliipaisimen varmistin ja turvaliipaisin palaavat lähtöasentoihinsa.

1. Varmista, että turvaliipaisin (B) on lukittu joutokäynnillä, kun vapautat turvaliipaisimen varmistimen (A).
2. Paina turvaliipaisimen varmistinta (A) ja varmista, että se palautuu lähtöasentoonsa, kun se vapautetaan.
3. Paina turvaliipaisinta (B) ja varmista, että se palautuu lähtöasentoonsa, kun se vapautetaan.

Käynnistä moottori ja käytä täyttä kaasua. Vapauta turvaliipaisin ja tarkista, pysähtyykö terälaite. Jos terälaite pyörii, kun kaasuliipaisin on joutokäyntiasennossa, tarkista kaasuttimen joutokäyntiruuvi.

## Pysäytin

Käynnistä moottori. Varmista, että moottori sammuu, kun siirät pysäytyskytkimen pysäytysasentoon.

(Kuva 20)

## Terälaitteen suojus

Terälaitteen suojus estää irrallisten esineiden sinkoutumisen käyttäjää kohti.

(Kuva 21)

Tarkista terälaitteen suojus vaurioiden varalta ja vaihda, jos se on vaurioitunut. Käytä vain hyväksytyä terälaitteen suojusta.

## Äänenvaimennin

- Älä käytä moottoria, jos äänenvaimennin on vaurioitunut. Vaurioitunut äänenvaimennin nostaa äänitasoa ja lisää tulipalon vaaraa. Pidä palonsammutin lähistöllä.
- Tarkista säännöllisesti, että äänenvaimennin on kiinni laitteessa.
- Älä kosketa moottoria tai äänenvaimenninta, kun moottoria on käynnissä. Älä kosketa moottoria tai äänenvaimenninta hetken moottorin sammuttamisen jälkeen. Kuumat pinnat voivat aiheuttaa vammoja.
- Kuuma äänenvaimennin voi aiheuttaa tulipalon. Ole varovainen, jos käytät laitetta palavien nesteiden tai kaasujen läheisyydessä.
- Älä kosketa äänenvaimentimen osia, jos äänenvaimennin on vaurioitunut. Osat voivat sisältää syöpää aiheuttavia kemikaaleja.

## Terälaite



**VAROITUS:** Lue seuraavat varoitusohjeet ennen laitteen käyttämistä.

- Huolla säännöllisesti. Anna valtuutetun huoltopisteen tarkastaa terälaite säännöllisesti säätöjen tai korjausten varalta.
  - Terälaitteen suorituskyky paranee.
  - Terälaitteen käyttöikä pitenee.
  - Onnettomuusvaara pienenee.
- Käytä vain hyväksytyä terälaitteen suojusta. Katso lisätietoja kohdasta *Lisävarusteet sivulla 132*.
- Älä käytä vaurioitunutta terälaitetta.

## Polttoaineturvallisuus



**VAROITUS:** Lue seuraavat varoitusohjeet ennen koneen käyttämistä.

- Älä sekoita polttoainetta sisätiloissa tai lämmönlähteen läheisyydessä.
- Älä käynnistä laitetta, jos sen päällä on polttoainetta tai moottoriöljyä. Poista ylimääräinen polttoaine tai öljy ja anna laitteen kuivua. Poista ylimääräinen polttoaine laitteesta.
- Jos olet läikyttänyt polttoainetta vaatteillesi, vaihda vaatteet heti.
- Varo, ettei iholle pääse polttoainetta, sillä se voi aiheuttaa vamman. Jos ihollesi joutuu polttoainetta, pese se pois vedellä ja saippualla.
- Älä käynnistä moottoria, jos läikytät öljyä tai polttoainetta laitteen päälle tai yllesi.

- Älä käynnistä laitetta, jos moottori vuotaa. Tarkista moottori säännöllisesti vuotojen varalta.
- Käsittele polttoainetta varoen. Polttoaine on syttyvää ja kaasut ovat räjähdysherkkiä, mikä voi aiheuttaa tapaturman tai kuoleman.
- Älä hengitä polttoainehöyryjä, sillä ne voivat aiheuttaa vamman. Varmista, että ilmanvirtaus on riittävä.
- Älä tupakoi polttoaineen tai moottorin lähistöllä.
- Älä sijoita lämpimiä esineitä polttoaineen tai moottorin lähelle.
- Älä lisää polttoainetta, kun moottori on käynnissä.
- Varmista ennen polttoaineen lisäämistä, että moottori on jäähtynyt.
- Ennen kuin lisää polttoainetta, avaa polttoainesäiliön korkki hitaasti ja vapauta paine varovasti.
- Älä lisää polttoainetta moottoriin sisätilassa. Jos ilmanvirtaus ei ole riittävä, tukehtuminen tai hiilimonoksidin hengittäminen voi aiheuttaa vamman tai kuoleman.
- Kiristä polttoainesäiliön korkki varovasti tulipalon vaaran vuoksi.
- Siirrä laite ennen käynnistämistä vähintään 3 metrin (10 ft) päähän paikasta, jossa täytit säiliön.
- Älä lisää säiliöön liikaa polttoainetta.
- Varmista, ettei polttoainetta pääse vuotamaan, kun liikutta laitetta tai polttoainekannua.
- Älä sijoita laitetta tai polttoainekannua paikkaan, jossa on avotulta, kipinöitä tai sytytysliekkejä. Varmista, ettei säilytyspaikassa ole avotulta.

- Käytä vain hyväksytyjä kannuja polttoaineen siirtämiseen tai säilyttämiseen.
- Tyhjennä polttoainesäiliö ennen pitkäaikaista säilytystä. Noudata paikallista polttoaineen hävittämistä koskevaa lakia.
- Puhdista laite ennen pitkäaikaista säilytystä.
- Irrota sytytystulpan johto ennen laitteen siirtämistä säilytykseen moottorin tahattoman käynnistymisen estämiseksi.

## Turvaohjeet huoltoa varten



**VAROITUS:** Lue seuraavat varoitusohjeet ennen laitteen huoltamista.

- Tee ainoastaan tässä käyttöohjekirjassa mainitut kunnossapito- ja huoltotyöt. Jätä kaikki muut korjaus- ja huoltotyöt ammattilaisten tehtäväksi.
- Suorita tässä ohjekirjassa annetut turvallisuustarkastukset sekä huolto- ja kunnossapitotyöt säännöllisesti. Säännöllinen huolto pidentää koneen käyttöikää ja pienentää onnettomuusvaaraa. Katso ohjeet kohdasta *Huoltokaavio sivulla 129*.
- Jos turvallisuustarkastukset eivät mene läpi konetta huollettuasi, ota yhteyttä huoltoliikkeeseen. Siellä laitteesi huolletaan ja korjataan ammattimaisesti.

## Asentaminen

### Johdanto



**VAROITUS:** Ennen kuin asennat laitteen, lue turvallisuutta käsittelevä luku niin, että ymmärrät sen sisällön.



**VAROITUS:** Irrota sytytystulpan johto sytytystulpasta ennen laitteen asentamista.

### Kaarikahvan asennus

1. Asenna kaarikahva runkoputkeen merkittyjen nuolien väliin.
2. Kiinnitä kaarikahva runkoputkeen kiristämällä pultti. (Kuva 22)

### Terälaitteen asennus

#### Terälaitteen suojuksen asennus

1. Aseta terälaitteen suojuus (A) runkoputkeen. (Kuva 23)

2. Aseta kannatin (B) terälaitteen suojuksen aukkoon.
3. Kiinnitä pultti (C) kiinnikkeen aukon läpi terälaitteen suojukseen.

#### Siimapään asentaminen

1. Varmista, että laitteeseen on kiinnitetty terälaitteen suojuus (A). Katso *Terälaitteen suojuksen asennus sivulla 126*. (Kuva 24)
2. Varmista, että jousilevy (C) on kiinnitetty käyttöakseliin (D).
3. Lukitse akseli asettamalla tähtiavain (B) reikään.
4. Aseta siimapää (E) käyttöakselille.
5. Kiristä siimapää käyttöakseliin kiertämällä vastapäivään. (Kuva 25)
6. Poista tähtiavain.

# Toiminta

## Johdanto



**VAROITUS:** Lue turvallisuutta käsittelevä luku niin, että ymmärrät sen sisällön, ennen laitteen käyttämistä.

## Polttoaine

Tässä laitteessa on kaksitahtimoottori.



**HUOMAUTUS:** Vääräntyyppinen polttoaine voi vaurioittaa moottoria. Käytä bensiinin ja kaksitahtiöljyn seosta.

## Valmis polttoainesekoitus

- Käytä laadukasta valmiiksi sekoitettua Husqvarna-alkylaattibensiiniä, sillä se takaa parhaan suorituskyvyn ja pidentää moottorin käyttöikää. Tällainen polttoaine sisältää tavallista polttoainetta vähemmän haitallisia kemikaaleja, mikä vähentää haitallisia pakokaasuja. Tällaisesta polttoaineesta jää vähemmän karstaa polton jälkeen, jolloin moottorin osat pysyvät puhtaampina.

## Polttoaineen sekoittaminen

### Bensiini



**HUOMAUTUS:** Älä käytä bensiiniä, jonka oktaaniluku on pienempi kuin 90 RON (87 AKI). Se voi vaurioittaa laitetta.



**HUOMAUTUS:** Älä käytä bensiiniä, jonka etanolipitoisuus (E10) on yli 10 prosenttia. Se voi vaurioittaa laitetta.

- Käytä aina uutta liijytöntä bensiiniä, jonka oktaaniluku on vähintään 90 RON (87 AKI) ja etanolipitoisuus (E10) alle 10 prosenttia.
- Käytä bensiiniä, jonka oktaaniluku on suurempi, jos käytät laitetta usein jatkuvasti suurella moottorin käyntinopeudella.

### Kaksitahtiöljy

- Käytä Husqvarna-kaksitahtiöljyä, sillä se takaa parhaat tulokset ja suorituskyvyn.
- Jos Husqvarna-kaksitahtiöljyä ei ole saatavilla, voidaan käyttää jotakin muuta ilmajäähdytteisille moottoreille tarkoitettua korkealaatuista kaksitahtiöljyä. Kysy huoltoliikkeestä ohjeita oikean öljyn valintaan.



**HUOMAUTUS:** Älä käytä vesijäähdytteisille ulkolaitamoottoreille

tarkoitettua kaksitahtiöljyä. Älä käytä nelitahtimoottoreille tarkoitettua öljyä.

## Bensiinin ja kaksitahtiöljyn sekoitus

Bensiini, litraa	Kaksitahtiöljy, litraa
	<b>2 % (50:1)</b>
5	0,10
10	0,20
15	0,30
20	0,40



**HUOMAUTUS:** Kun polttoainetta sekoitetaan pieniä määriä, pienikin mittausvirhe voi vaikuttaa sekoitussuhteeseen suuresti. Mittaa öljymäärä huolellisesti ja varmista, että seoksen suhde on oikea.

(Kuva 26)

- Lisää puhtaaseen polttoainesäiliöön puolet bensiinin kokonaismäärästä.
- Lisää koko öljymäärä.
- Ravista polttoaineseosta.
- Lisää loput bensiinistä säiliöön.
- Ravista polttoaineseosta huolellisesti.



**HUOMAUTUS:** Sekoita korkeintaan yhden kuukauden polttoaineet kerrallaan.

## Polttoaineen lisäy

- Käytä ylitäyttösuojalla varustettua polttoainekannua.
- Jos kannussa on polttoainetta, poista se ja anna kannun kuivua.
- Varmista, että polttoainesäiliön korkin alue on puhdas.
- Ravista polttoainekannua, ennen kuin lisäät polttoaineseosta polttoainesäiliöön.

## Sisäänajo

- Älä käytä konetta täydellä kaasulla ilman kuormaa pitkiä aikoja ensimmäisten 10 käyttötunnin aikana.

## Käynnistys ja sammutus

### Tarkistus ennen aloitusta

1. Varmista, ettei laitteesta puutu osia eivätkä osat ole löysiä tai kuluneita.
2. Varmista, että kaikki mutterit, ruuvit ja pultit on kiristetty.
3. Varmista, ettei siimapää ole vaurioitunut.
4. Varmista, ettei ilmansuodatin ole tukossa.
5. Varmista, ettei tuotteen turvalaitteissa ole vikoja.
6. Varmista, ettei tuotteessa ole polttoainevuotoja.

### Kylmän moottorin käynnistys

1. Paina polttoaineen ilmauspumpua 10 kertaa. (Kuva 27)
2. Vedä rikastinvipu ylös. (Kuva 28)
3. Paina laitteen runkoa maata vasten vasemmalla kädellä. (Kuva 29) Älä astu laitteen päälle. Vedä käynnistysnarun kahvaa hitaasti, kunnes tunnet vastuksen. Vedä sitten käynnistysnarun kahvaa voimakkaasti.

**Huomautus:** Älä vedä turvaliipaisinta moottorin käynnistykseen aikana.

4. Vedä käynnistysnarun kahvaa, kunnes moottori käynnistyy tai yrittää käynnistyä (enintään kolme vetoa). Jos moottori käynnistyy tai yrittää käynnistyä, paina rikastinvipu alas. Jatka vetämistä, kunnes moottori käynnistyy. Odota 60 sekuntia käynnistymisen jälkeen, ennen kuin vedät turvaliipaisinta.



**HUOMAUTUS:** Älä vedä käynnistysnarua, kun se on pysähtynyt. Älä irrota otetta käynnistysnarusta, kun se on täysin ulkona. Vapautu käynnistysnarua hitaasti. Näiden ohjeiden laiminlyönti voi aiheuttaa moottorivaurion.

### Lämpimän moottorin käynnistys

1. Paina polttoaineen ilmauspumpua 10 kertaa.
2. Vedä käynnistysnarusta, kunnes moottori käynnistyy.

### Moottorin käynnistäminen polttoaineen ollessa liian kuumaa

Jos laite ei käynnisty, polttoaine saattaa olla liian kuumaa.

**Huomautus:** Käytä aina uutta polttoainetta ja vähennä työskentelyaikaa lämpimällä säällä.

1. Aseta laite viileään paikkaan pois suorasta auringonvalosta.
2. Anna laitteen jäähtyä vähintään 20 minuutin ajan.

3. Paina polttoaineen ilmauspumpua jatkuvasti 10–15 sekunnin ajan.
4. Noudata kylmän moottorin käynnistysmenettelyä. Katso *Kylmän moottorin käynnistys sivulla 128*.

### Sammuttaminen

- Sammuta moottori painamalla pysäytintä. (Kuva 30)

**Huomautus:** Pysäytin palaa automaattisesti lähtöasentoonsa.

### Trimmerin käyttö



**HUOMAUTUS:** Muista hidastaa moottori joutokäyntinopeudelle aina käytön jälkeen. Pitkäaikainen käyttö täydellä kaasulla moottoria kuormittamatta voi aiheuttaa moottorivaurion.

**Huomautus:** Tärinän estämiseksi puhdista siimapään suojus, kun kiinnität uuden siiman. Tarkista siimapään muut osat ja puhdista tarvittaessa.

### Ruohon siistiminen

1. Pidä siimapää aivan maanpinnan yläpuolella ja kallista sitä. Älä paina siimaa ruohoon. (Kuva 31)
2. Lyhennä siiman pituutta noin 10–12 cm (4–4,75”).
3. Pienennä moottorin käyntinopeutta, jotta kasvit eivät vahingoitu.
4. Käytä 80 % täydestä kaasusta, kun leikkaat ruohoa esineiden läheltä. (Kuva 32)

### Ruohon leikkaaminen

1. Varmista, että siima on maanpinnan suuntaisena, kun leikkaat. (Kuva 33)
2. Älä paina siimapäätä maahan. Maanpinta ja laite voivat vaurioitua.
3. Älä anna siimapään osua maahan jatkuvasti, sillä se voi vaurioittaa siimapäätä.
4. Käytä täyttä kaasua, kun leikkaat ruohoa liikuttamalla laitetta sivulta sivulle. Varmista, että siima on maanpinnan suuntaisena. (Kuva 34)

### Siimapää

- Varmista, että kierrät siiman tiukasti ja tasaisesti puolan ympärille tärinän vähentämiseksi.
- Käytä vain hyväksytyjä siimapäitä ja siimoja. Katso *Lisävarusteet sivulla 132*.
- Käytä oikeanpituista siimaa. Pitkä siima käyttää enemmän moottorin tehoa kuin lyhyt siima.
- Varmista, että terälaitteen suojuksessa oleva leikkain on ehjä.
- Liota siimaa vedessä kahden vuorokauden ajan, ennen kuin kiinnität sen laitteeseen. Se pidentää siiman käyttöikää.



## Siiman vaihto

- (Kuva 35)
- (Kuva 36)
- (Kuva 37)
- (Kuva 38)

- (Kuva 39)
- (Kuva 40)
- (Kuva 41)
- (Kuva 42)

---

# Huolto

---

## Johdanto



**VAROITUS:** Ennen minkäänlaisten huoltotöiden aloittamista sinun on luettava turvallisuutta käsittelevä luku niin, että ymmärrät sen sisällön.

Kaikkiin tuotteelle tehtäviin huolto- ja korjaustöihin tarvitaan erityiskoulutus. Takaamme, että tuotteemme huolletaan ja korjataan ammattimaisesti. Jos jälleenmyyjäsi ei ole huoltoliike, pyydä jälleenmyyjää neuvomaan lähin huoltoliike.

## Huoltokaavio

### Viikoittaiset toimenpiteet

- Puhdista ulkopinnat.
- Varmista, ettei terälaite liiku joutokäyntinopeudella. Katso *Joutokäyntinopeuden säätö sivulla 129*.
- Tarkista kulmavaihteen rasvataso. Katso *Rasvan levitys kulmavaihteeseen sivulla 130*.

### Kuukausittaiset toimenpiteet

- Varmista, että käynnistysköysi ja sen kahva ovat ehjiä.

### Vuosihuolto

- Tarkista sytytystulppa. Katso *Sytytystulpan tarkistus sivulla 129*
- Puhdista kaasuttimen ulkopinnat ja ympäristö.
- Puhdista jäähdytysjärjestelmä.
- Tarkista kipinäverkko. Katso *Kipinäverkon kunnossapito sivulla 129*.
- Tarkista polttoainesuodatin.
- Varmista, ettei polttoaineletku ole vaurioitunut.
- Varmista, ettei tuotteen kaapeleissa ja liitännöissä ole vikoja.

## Joutokäyntinopeuden säätö

- Varmista, että ilmansuodatin on puhdas ja ilmansuodattimen kansi kiinnitetty, ennen kuin säädät joutokäyntinopeutta.
  - Säädä joutokäyntinopeus joutokäyntiruuvilla, joka on merkitty T-kirjaimella.
  - Joutokäyntinopeus on oikea, kun moottori käy tasaisesti kaikilla asennoilla. Joutokäyntinopeuden on oltava pienempi kuin käyntinopeuden, jolla terälaite alkaa pyöriä.
1. Kierrä joutokäyntiruuvia myötäpäivään, kunnes terälaite alkaa pyöriä. (Kuva 43)

2. Kierrä joutokäyntiruuvia vastapäivään, kunnes terälaite pysähtyy.

## Kipinäverkon kunnossapito

Puhdista kipinäverkko teräsharjalla.  
(Kuva 44)

## Jäähdytysjärjestelmän puhdistus

Puhdista jäähdytysjärjestelmän osat harjalla.  
(Kuva 45)

## Sytytystulpan tarkistus



**HUOMAUTUS:** Käytä suositeltua sytytystulppaa. Varmista, että uusi osa on samanlainen kuin valmistajan ohittama osa. Väärä sytytystulppa voi aiheuttaa laitevaurion.

1. Tarkista sytytystulppa seuraavissa tilanteissa:
  - a) Moottorin teho on heikko.
  - b) Moottoria ei ole helppo käynnistää.
  - c) Moottori ei toimi oikein joutokäyntinopeudella.
2. Jos moottoria ei ole helppo käynnistää tai käyttää, tarkista onko sytytystulpassa ylimääräistä materiaalia. Ehkäise ylimääräisen materiaalin joutuminen sytytystulpan elektrodeihin seuraavasti:
  - a) Varmista, että joutokäyntinopeus on säädetty oikein.
  - b) Varmista, että polttoaineseos on oikea.
  - c) Varmista, että ilmansuodatin on puhdas.
3. Puhdista sytytystulppa, jos se on likainen. Tarkista, että kärkiväli on oikea. (Kuva 46)
4. Vaihda sytytystulppa tarvittaessa.

## Ilmansuodattimen kunnossapito

### Ilmansuodattimen puhdistaminen

1. Irrota ilmansuodattimen kansi ja ilmansuodatin.  
(Kuva 47)
2. Pese ilmansuodatin lämpimällä saippuavedellä. Varmista ennen asentamista, että ilmansuodatin on kuiva.
3. Vaihda ilmansuodatin, jos se on liian likainen, eikä sitä saa täysin puhtaaksi. Vaurioitunut ilmansuodatin on aina vaihdettava.

4. Jos laitteessa on vaahtokumi-ilmansuodatin, levitä ilmansuodatinöljyä. Levitä ilmansuodatinöljyä vain vaahtokumisuodattimeen. Älä levitä öljyä huopasuodattimeen.

### Ilmansuodatinöljyn levitys ilmansuodattimeen



**HUOMAUTUS:** Käytä vaahtokumi-ilmansuodattimissa aina erityistä ilmansuodatinöljyä. Älä käytä muita öljytyyppejä.



**VAROITUS:** Varo, ettei iholle pääse öljyä.

1. Irrota ilmansuodattimen kansi ja ilmansuodatin. (Kuva 48)
2. Siirrä ilmansuodatin muovipussiin.
3. Kaada ilmansuodatinöljy muovipussiin. (Kuva 49)
4. Painele muovipussia, jotta öljy levittyy tasaisesti koko ilmansuodattimeen.
5. Paina pussissa olevaa ilmansuodatinta ylimääräisen ilmansuodatinöljyn poistamiseksi. Ota ilmansuodatin pois pussista.
6. Asenna ilmansuodatin.

### Rasvan levitys kulmavaihteeseen

Varmista, että 3/4 kulmavaihteesta on täytetty rasvalla. (Kuva 50)

## Vianmääritys

### Moottori ei käynnisty

Tarkistus	Mahdollinen syy	Toimenpide
Pysäytin	Pysäytin on pysäytysasennossa.	Aseta pysäytin käynnistysasentoon.
Kytkenäkynnet	Kytkenäkynnet eivät pääse liikkumaan vapaasti.	Irrota käynnistimen kansi ja puhdista kytkentäkynsien ympäristö. Anna huoltotyö valtuutetun huoltoliikkeen tehtäväksi.
Polttoainesäiliö	Väärä polttoainetyyppi.	Huuhtele polttoainesäiliö ja täytä oikealla polttoaineella.
Sytytystulppa	Sytytystulppa on likainen tai märkä.	Varmista, että sytytystulppa on kuiva ja puhdas.
	Sytytystulpan kärkiväli on virheellinen.	Puhdista sytytystulppa. Tarkista, että kärkiväli on oikea. Varmista, että sytytystulpassa on häiriösuodatin. Tarkasta oikea kärkiväli teknisistä tiedoista.
	Sytytystulppa on löysä.	Kiristä sytytystulppa.

### Moottorin käynnisty mutta sammuu uudelleen

Tarkistus	Mahdollinen syy	Toimenpide
Polttoainesäiliö	Väärä polttoainetyyppi.	Tyhjennä polttoainesäiliö ja täytä oikealla polttoaineella.
Ilmansuodatin	Ilmansuodatin on tukossa.	Puhdista ilmansuodatin.

# Kuljettaminen, säilyttäminen ja hävittäminen

## Kuljetus ja säilytys

- Anna laitteen jäähtyä ennen kuljetusta tai säilytystä.
- Irrota sytytystulpan suojus ennen pitkäaikaista säilytystä.
- Kiinnitä laite kuljetuksen ajaksi. Varmista, ettei se pääse liikkumaan.

- Varmista, ettei kuljetuksen ja säilytyksen aikana ole polttoainevuotojen, polttoainehöyryjen, kipinöiden tai liekkien vaaraa.
- Puhdista ja huolla laite ennen pitkäaikaista säilytystä.

## Tekniset tiedot

### Tekniset tiedot

	<b>325L</b> <b>A05328CSHV</b>
<b>Moottori</b>	
Sylinteritilavuus, cm <sup>3</sup>	27,6
Joutokäyntinopeus, r/min	2 800–3 200
Suosittelu enimmäisnopeus, r/min	8 000
ISO 8893 -standardin mukainen enimmäisteho, kW/hv – r/min	0,9/1,2 – 8 000
Katalyysaattoriäänenvaimennin	Kyllä
Käyttöakselin pyörimisnopeus, r/min	7 200
<b>Sytytysjärjestelmä</b>	
Sytytystulppa	Husqvarna HQT-4
Kärkiväli, mm	0,5
<b>Polttoainejärjestelmä</b>	
Polttoainesäiliön tilavuus, l/cm <sup>3</sup>	0,343/343
<b>Tuotteen mitat</b>	
Paino (ilman terävarustusta), kg	5,0
<b>Melupäästöt<sup>28</sup></b>	
Äänentehotaso, taattu (L <sub>WA</sub> ), dB(A)	114
Äänentehotaso, mitattu, dB(A)	110
<b>Äänitasot<sup>29</sup></b>	
Äänenpainetaso käyttäjän korvan tasalla, siimapää käytössä, dB(A)	93

<sup>28</sup> Melupäästöt ympäristöön äänentehona (L<sub>WA</sub>) EY-direktiivin 2000/14/EY mukaisesti mitattuna. Laitteen ilmoitettu äänentehotaso on mitattu käyttäen alkuperäistä terälaitetta, joka antaa suurimman äänentehotason. Taa-tun ja mitatun äänentehon erona on se, että taattu äänenteho sisältää myös mitatun tuloksen hajonnan ja vaihtelun saman mallin eri laitteiden välillä direktiivin 2000/14/EY mukaisesti.

<sup>29</sup> Ilmoitetuilla tiedoilla vastaavasta koneen äänenpainetasosta tyypillinen tilastollinen hajonta (vakiopoikkeama) on 1 dB (A).

	<b>325L</b> <b>A05328CSHV</b>
<b>Tärinätasot<sup>30</sup></b>	
Vastaava tärinätaso (ahv, eq), siimapää käytössä, vasen kahva, m/s <sup>2</sup>	4,2
Vastaava tärinätaso (ahv, eq), siimapää käytössä, oikea kahva, m/s <sup>2</sup>	6,1

---

## Lisävarusteet

---

### Lisävarusteet

Hyväksytyt lisävarusteet	Tyyppi	Terälaitteen suojus
Kierre akseli	M10L	
Siimapää	T35, Ø 2,4 mm	588 54 37-01

<sup>30</sup> Ilmoitetuilla tiedoilla vastaavasta tärinätasosta tyypillinen tilastollinen hajonta (vakio poikkeama) on 1 m/s<sup>2</sup>.

---

# EY-vaatimustenmukaisuusvakuutus

---

## EU:n vaatimustenmukaisuusvakuutus

Husqvarna AB, SE 561 82 Huskvarna, RUOTSI,  
vakuuttaa täten, että oheinen tuote:

<b>Kuvaus</b>	<b>Bensiinikäyttöinen trimmeri/ruohoraivuri</b>
Tuotemerkki	Husqvarna
Alusta / Tyyppi / Malli	AlustaA05328CSHV, edustaa mallia 325L.
Erä	Sarjanumero 2018 alkaen

vastaa täysin seuraavien EU:n direktiivien ja asetusten vaatimuksia:

<b>Direktiivi/asetus</b>	<b>Kuvaus</b>
2006/42/EY	Konedirektiivi
2014/30/EU	EMC-direktiivi
2000/14/EY	Melupäästädirektiivi
2011/65/EU	Tiettyjen vaarallisten aineiden käytön rajoittamisesta annettu direktiivi

Asiassa sovelletaan seuraavia yhdenmukaistettuja standardeja ja/tai teknisiä määräyksiä: EN ISO 12100, EN ISO 11806-1, CISPR 12, ISO 14982, EN 50581:2012 .

Ilmoitetut meluarvot on annettu direktiivin 2000/14/EY liitteen V mukaisesti tämän käyttöohjekirjan teknisissä tiedoissa sekä allekirjoitetussa EY:n vaatimustenmukaisuusvakuutuksessa.

TÜV Rheinland N.A. on suorittanut Husqvarna AB:lle vapaaehtoisen tyyppitarkastuksen ja tuottanut näin Euroopan parlamentin ja neuvoston konedirektiivin 2006/42/EY mukaisen sertifikaatin.

Allekirjoitetussa EY:n vaatimustenmukaisuusvakuutuksessa ilmoitettu sertifikaatti pätee kaikkiin valmistuspaikkoihin ja -maihin tuotteessa ilmoitettujen tietojen mukaisesti.

Oheinen bensiinikäyttöinen trimmeri/ruohoraivuri on tarkistetun mallikappaleen mukainen.

---

## Sommaire

---

Introduction.....	134	Dépannage.....	143
Sécurité.....	135	Transport, entreposage et mise au rebut.....	144
Montage.....	139	Caractéristiques techniques.....	144
Utilisation.....	139	Accessoires.....	145
Maintenance.....	142	Déclaration de conformité CE.....	146

---

## Introduction

---

### Manuel de l'opérateur

La langue d'origine du présent manuel d'utilisation est l'anglais. Les manuels d'utilisation disponibles dans d'autres langues sont des traductions de l'anglais.

### Utilisation prévue

Ce produit est utilisé avec une tête de désherbage pour couper l'herbe. N'utilisez pas ce produit pour d'autres tâches que le désherbage et débroussaillage.

### Aperçu du produit

(Fig. 1)

1. Tête de désherbage
2. Bouchon de remplissage en graisse
3. Renvoi d'angle
4. Protection pour l'équipement de coupe
5. Arbre
6. Poignée anneau
7. Gâchette d'accélération
8. Bouton d'arrêt
9. Blocage de la gâchette d'accélération
10. Chapeau de bougie, bougie
11. Corps du lanceur
12. Poignée du câble du démarreur
13. Réservoir de carburant
14. Couvercle de filtre à air
15. Poire de la pompe à carburant
16. Starter
17. Toc d'entraînement
18. Manuel de l'opérateur
19. Clé étoile

### Symboles concernant le produit

- (Fig. 2) **AVERTISSEMENT !** Ce produit est dangereux. L'utilisateur ou les personnes situées à proximité peuvent subir des blessures graves ou mortelles si le produit n'est pas utilisé correctement et avec précaution. Pour éviter de blesser l'utilisateur ou d'autres personnes, lisez et

**Remarque:** La législation nationale peut imposer des limites à l'utilisation du produit.

---

- respectez toutes les consignes de sécurité du manuel d'utilisation.
- (Fig. 3) Veuillez lire attentivement le manuel d'utilisation et assurez-vous de bien comprendre les instructions avant utilisation.
- (Fig. 4) Utilisez des protège-oreilles agréés. Utilisez des protections pour les yeux homologuées.
- (Fig. 5) Le produit peut entraîner la projection d'objets, ce qui peut causer des blessures.
- (Fig. 6) Régime maximal de l'arbre de sortie.
- (Fig. 7) Restez à une distance minimale de 15 m (50 ft) des personnes et des animaux pendant l'utilisation du produit.
- (Fig. 8) Utilisez uniquement du fil de coupe souple
- (Fig. 9) N'utilisez pas d'éléments de coupe en métal
- (Fig. 10) Les flèches indiquent les limites de la position de la poignée.
- (Fig. 11) Poire de la pompe à carburant.
- (Fig. 12) Starter.
- (Fig. 13) Remplissage d'essence.
- (Fig. 14) Émissions sonores dans l'environnement conformes à la directive de la Communauté européenne. Les émissions du produit sont indiquées au chapitre Caractéristiques techniques et sur les autocollants.

(Fig. 15) Le produit est conforme aux directives CE en vigueur.

(Fig. 16) Le produit est conforme aux directives EAC en vigueur.

La plaque signalétique indique le numéro de série. **yyyy** est l'année de production, **ww** est la semaine de production et **xxxx** est le numéro séquentiel.

yyyywwxxxx

**Remarque:** Les autres symboles/autocollants présents sur le produit concernent des exigences de certification spécifiques à d'autres zones commerciales.

## Responsabilité

Conformément à la loi sur la responsabilité du fait des produits, nous déclinons toute responsabilité pour tout dommage causé par notre produit si :

- le produit n'est pas correctement réparé ;
- le produit est réparé avec des pièces qui ne proviennent pas du fabricant ou qui ne sont pas homologuées par le fabricant ;
- le produit est équipé d'un accessoire qui ne provient pas du fabricant ou qui n'est pas homologué par le fabricant.
- le produit n'est pas réparé par un centre d'entretien agréé ou par une autorité homologuée.

## UE V



**AVERTISSEMENT:** toute altération du moteur a pour effet d'annuler l'homologation de type UE de ce produit.

## Sécurité

### Définitions de sécurité

Des avertissements, des recommandations et des remarques sont utilisés pour souligner des parties spécialement importantes du manuel.



**AVERTISSEMENT:** Symbole utilisé en cas de risque de blessures ou de mort pour l'opérateur ou les personnes à proximité si les instructions du manuel ne sont pas respectées.



**REMARQUE:** Symbole utilisé en cas de risque de dommages pour le produit, d'autres matériaux ou les environs si les instructions du manuel ne sont pas respectées.

**Remarque:** Symbole utilisé pour donner des informations supplémentaires pour une situation donnée.

### Précautions relatives aux vibrations

Ce produit est destiné à une utilisation occasionnelle uniquement. L'utilisation quotidienne ou régulière du produit peut provoquer le syndrome des « doigts blancs » ou entraîner des problèmes médicaux équivalents causés par les vibrations. Examinez l'état de vos mains et de vos doigts si vous utilisez le produit quotidiennement ou régulièrement. Si vos mains ou vos doigts présentent une décoloration, sont douloureux ou

engourdis, arrêtez de travailler et contactez immédiatement un médecin.

### Instructions générales de sécurité



**AVERTISSEMENT:** Lisez les instructions qui suivent avant d'utiliser le produit.

- Utilisez le produit correctement. Une utilisation inappropriée peut causer des blessures graves, voire mortelles. Utilisez uniquement le produit pour les tâches décrites dans le présent manuel. N'utilisez pas ce produit pour d'autres travaux.
- Respectez les instructions de ce manuel. Respectez les symboles et les instructions de sécurité. Le non-respect des instructions et des symboles par l'opérateur peut causer des blessures graves, voire mortelles, ou des dommages.
- Ne jetez pas ce manuel. Utilisez les instructions pour assembler, utiliser et conserver votre produit en bon état. Utilisez les instructions pour l'installation appropriée des équipements et accessoires. Utilisez uniquement des équipements et accessoires homologués.
- N'utilisez pas de produit endommagé. Respectez le schéma d'entretien. Effectuez uniquement les travaux d'entretien dont les instructions sont comprises dans ce manuel. Tous les autres travaux d'entretien doivent être effectués par un centre d'entretien agréé.

- Ce manuel ne peut pas inclure toutes les situations qui peuvent se produire lorsque vous utilisez le produit. Soyez prudent et utilisez votre bon sens. N'utilisez pas ou n'effectuez pas de travaux d'entretien sur le produit si vous n'êtes pas sûr de la situation. Contactez un spécialiste du produit, votre revendeur, votre agent d'entretien ou centre d'entretien agréé pour plus d'informations.
- Déconnectez la bougie avant d'assembler, de stocker ou d'effectuer l'entretien du produit.
- N'utilisez pas le produit si ses caractéristiques initiales ont été changées. Ne remplacez pas une pièce du produit sans l'approbation du fabricant. Utilisez uniquement des pièces approuvées par le fabricant. Un entretien inapproprié peut causer des blessures graves, voire mortelles.
- Ne respirez pas les fumées provenant du moteur. À long terme, l'inhalation de gaz d'échappement dégagés par le moteur constitue un risque pour la santé.
- Ne démarrez pas le produit dans un local clos ou à proximité de matériaux inflammables. Les gaz d'échappement sont très chauds et peuvent contenir une étincelle pouvant provoquer un incendie. Un débit d'air insuffisant peut causer des blessures graves, voire mortelles dues à une asphyxie ou au monoxyde de carbone.
- Lorsque vous utilisez ce produit, le moteur crée un champ électromagnétique. Le champ électromagnétique peut endommager les implants médicaux. Consultez votre médecin et le fabricant de votre implant avant d'utiliser ce produit.
- Ne laissez pas un enfant utiliser le produit. Ne laissez personne utiliser la machine sans en connaître les instructions d'utilisation.
- Assurez-vous de toujours surveiller une personne aux capacités physiques ou mentales réduites qui utilise le produit. Un adulte responsable doit être présent à tout moment.
- Stockez le produit dans une zone dont l'accès est fermé aux enfants et aux personnes non autorisées.
- Le produit peut projeter des objets et causer des blessures. Respectez les consignes de sécurité afin de réduire le risque de blessures graves ou mortelles.
- Ne vous éloignez pas du produit lorsque le moteur est allumé.
- L'opérateur du produit est tenu responsable en cas d'accident.
- Assurez-vous que les pièces ne soient pas endommagées avant d'utiliser le produit.
- Assurez-vous de maintenir une distance minimum de 15 m (50 ft) entre vous et les autres personnes ou animaux avant d'utiliser le produit. Assurez-vous que les personnes présentes dans une zone adjacente sachent que vous allez utiliser le produit.
- Référez-vous aux lois nationales ou locales. Elles peuvent empêcher ou limiter le fonctionnement du produit dans certaines conditions.

- N'utilisez pas le produit si vous êtes fatigué ou sous l'emprise d'alcool, de drogues ou de médicaments. Ces facteurs sont susceptibles d'affecter votre vue, votre vigilance, votre coordination ou votre jugement.

## Consignes de sécurité pour l'assemblage



**AVERTISSEMENT:** Lisez les instructions qui suivent avant d'utiliser le produit.

- Retirez le chapeau de bougie de la bougie d'allumage avant de monter le produit.
- Utilisez des gants de protection homologués.
- Assurez-vous d'assembler correctement le capot et l'arbre avant de démarrer le moteur.

## Consignes de sécurité pour le fonctionnement

- Assurez-vous que le produit est complètement assemblé avant de l'utiliser.
- Assurez-vous de démarrer le produit 3 m (10 ft) loin de l'endroit où vous avez rempli le réservoir de carburant. Placez le produit sur une surface plane. Vérifiez que l'équipement de coupe ne touche pas le sol ou tout autre objet.
- Le produit peut entraîner la projection d'objets, ce qui peut causer des lésions oculaires. Utilisez toujours des protections pour les yeux homologuées lorsque vous faites fonctionner le produit.
- Soyez prudent, un enfant peut se trouver à proximité du produit durant son fonctionnement sans que vous en ayez connaissance.
- N'utilisez pas le produit si des personnes sont présentes dans la zone de travail. Arrêtez le produit si une personne pénètre dans la zone de travail.
- Assurez-vous de toujours garder le contrôle du produit.
- N'utilisez pas ce produit si vous ne pouvez pas être secouru en cas d'accident. Assurez-vous que d'autres personnes sachent que vous allez utiliser le produit avant de commencer.
- Ne tournez pas avec le produit avant de vous assurer qu'aucune personne ni aucun animal ne se trouvent dans la zone de sécurité.
- Retirez tous les matériaux indésirables de la zone de travail avant de commencer. Si l'équipement de coupe heurte un objet, l'objet peut être projeté et causer des blessures ou des dommages. Les matériaux indésirables peuvent s'enrouler autour de l'équipement de coupe et causer des dommages.
- N'utilisez pas le produit par mauvais temps (brouillard, pluie, vents violents, risque d'éclairs ou autres conditions climatiques). Le mauvais temps peut créer des conditions de travail dangereuses (telles que des surfaces glissantes).



- Assurez-vous que vous pouvez vous déplacer librement et travailler dans une position stable (Fig. 17)
- Assurez-vous que vous ne pouvez pas tomber lorsque vous utilisez le produit. Ne vous inclinez pas lorsque vous utilisez le produit.

- Tenez toujours le produit avec vos deux mains. Tenez l'appareil du côté droit du corps. (Fig. 18)

- Utilisez le produit avec l'équipement de coupe sous le niveau de votre taille.
- Si la commande du starter est sur la position de starter lorsque le moteur démarre, l'équipement de coupe commence à tourner.
- Ne touchez pas le renvoi d'angle après l'arrêt du moteur. Le renvoi d'angle est chaud après l'arrêt du moteur. Les zones de chaleur peuvent causer des blessures.
- Arrêtez le moteur avant de déplacer le produit.
- Ne posez pas le produit lorsque le moteur est allumé.
- Avant de retirer les matériaux indésirables du produit, arrêtez le moteur et attendez jusqu'à l'arrêt de l'équipement de coupe. Attendez l'arrêt de l'équipement de coupe avant de retirer la matière coupée.

## Équipement de protection individuelle



**AVERTISSEMENT:** Lisez les instructions qui suivent avant d'utiliser le produit.

- Utilisez toujours un équipement de protection individuel approprié lorsque vous faites fonctionner le produit. L'équipement de protection individuel n'empêche pas le risque de blessures. L'équipement de protection individuel diminue la gravité des blessures en cas d'accident.
- Utilisez toujours des protections pour les yeux homologuées pendant que vous faites fonctionner le produit.
- N'utilisez pas le produit pieds nus ou avec des chaussures ouvertes. Utilisez toujours des bottes antidérapantes robustes.
- Utilisez des pantalons longs et épais.
- Si nécessaire, utilisez des gants de protection homologués.
- Utilisez un casque s'il est possible que des objets tombent sur votre tête.
- Utilisez toujours des protections auditives homologuées lorsque vous faites fonctionner le produit. Une exposition au bruit sur de longues périodes peut provoquer une perte d'audition.
- Assurez-vous de disposer d'une trousse de premiers soins à proximité.

## Dispositifs de sécurité sur le produit



**AVERTISSEMENT:** Lisez les instructions qui suivent avant d'utiliser le produit.

- N'utilisez pas un produit avec des dispositifs de sécurité défectueux.
- Contrôlez les dispositifs de sécurité régulièrement. Reportez-vous à la section *Aperçu du produit à la page 134*.
- Si les dispositifs de sécurité sont défectueux, parlez-en à votre atelier d'entretien Husqvarna.

### Blocage de la gâchette d'accélération

Le blocage de la gâchette d'accélération verrouille la gâchette d'accélération. (Fig. 19)

Appuyez sur le blocage de la gâchette d'accélération (A) pour relâcher la gâchette d'accélération (B). Lorsque vous relâchez la poignée, le blocage de la gâchette d'accélération et la gâchette d'accélération reviennent à leurs positions initiales.

1. Assurez-vous que la gâchette d'accélération (B) est verrouillée en position de ralenti lorsque vous relâchez le blocage de la gâchette d'accélération (A).
2. Appuyez sur le blocage de la gâchette d'accélération (A) et assurez-vous qu'il retourne à sa position initiale lorsque vous le relâchez.
3. Appuyez sur la gâchette d'accélération (B) et assurez-vous qu'elle retourne à sa position initiale lorsque vous la relâchez.

Démarrez le moteur, puis faites-le tourner à plein régime. Relâchez la gâchette d'accélération et vérifiez si l'équipement de coupe s'arrête. Si l'équipement de coupe tourne avec la gâchette en position de ralenti, vérifiez la vis de réglage du carburateur.

### Bouton d'arrêt

Démarrez le moteur. Assurez-vous que le moteur s'arrête lorsque vous mettez le bouton d'arrêt en position stop.

(Fig. 20)

### Protection pour l'équipement de coupe

La protection de l'équipement de coupe protège l'opérateur des projections d'objets. (Fig. 21)

Vérifiez la protection pour l'équipement de coupe afin de détecter d'éventuels dommages et remplacez-la si elle est endommagée. Utilisez uniquement la protection homologuée pour l'équipement de coupe.

### Silencieux

- N'utilisez pas un moteur dont le silencieux est endommagé. Un silencieux endommagé augmente

le niveau sonore et le risque d'incendie. Gardez un extincteur à proximité.

- Vérifiez régulièrement que le silencieux est bien fixé sur le produit.
- Ne touchez pas le moteur ni le silencieux quand le moteur est allumé. Ne touchez pas le moteur ni le silencieux peu après l'arrêt du moteur. Les surfaces chaudes peuvent causer des blessures.
- La chaleur du silencieux peut provoquer un incendie. Soyez prudent si vous utilisez le produit à proximité de liquides inflammables ou de fumées.
- Ne touchez pas les pièces à l'intérieur du silencieux si celui-ci est endommagé. Les pièces peuvent contenir certains produits chimiques cancérigènes.

## Équipement de coupe



**AVERTISSEMENT:** Lisez les instructions qui suivent avant d'utiliser le produit.

- Effectuez un entretien régulier. Laissez un centre d'entretien agréé régulièrement examiner l'équipement de coupe pour effectuer des réglages ou des réparations.
  - Les performances de l'équipement de coupe s'améliorent.
  - La durée de vie de l'équipement de coupe augmente.
  - Le risque d'accident diminue.
- Utilisez uniquement la protection homologuée pour l'équipement de coupe. Pour plus d'informations, consultez *Accessoires à la page 145*.
- N'utilisez pas un équipement de coupe endommagé.

## Sécurité carburant



**AVERTISSEMENT:** Lisez les instructions qui suivent avant d'utiliser le produit.

- Ne mélangez pas le carburant à l'intérieur ou à proximité d'une source de chaleur.
- Ne démarrez pas le produit si du carburant ou de l'huile moteur a été renversé(e) sur le produit. Essuyez le carburant/l'huile et attendez que le produit sèche. Essuyez le carburant déversé sur le produit.
- Si vous avez renversé du carburant sur vos vêtements, changez de vêtements immédiatement.
- Évitez tout contact de la peau avec le carburant. Le carburant peut causer des blessures. Si votre peau entre en contact avec le carburant, lavez les parties qui ont été en contact avec de l'eau et du savon.
- Ne démarrez pas le moteur si vous avez renversé de l'huile ou du carburant sur le produit ou sur vous.
- Ne démarrez pas le produit s'il y a une fuite de moteur. Vérifiez régulièrement s'il y a des fuites de moteur.

- Faites attention avec le carburant. Le carburant est inflammable et ses vapeurs sont explosives. Il peut causer des blessures graves, voire mortelles.
- Ne respirez pas les vapeurs de carburant, elles peuvent causer des blessures. Assurez-vous que la ventilation est suffisante.
- Ne fumez pas à proximité du carburant ou du moteur.
- Ne mettez pas d'objets chauds à proximité du carburant ou du moteur.
- N'ajoutez pas de carburant lorsque le moteur est allumé.
- Assurez-vous que le moteur est froid avant de faire le plein de carburant.
- Avant de faire le plein, ouvrez le bouchon du réservoir de carburant lentement et relâchez la pression avec précaution.
- N'ajoutez pas de carburant au moteur dans un espace intérieur. Un débit d'air insuffisant peut causer des blessures graves, voire mortelles dues à une asphyxie ou au monoxyde de carbone.
- Serrez le bouton du réservoir de carburant avec précaution afin d'éviter tout risque d'incendie.
- Déplacez le produit à un minimum de 3 m (10 ft) de l'endroit où a été fait le plein de carburant avant de démarrer le produit.
- Ne remplissez pas trop le réservoir de carburant.
- Assurez-vous qu'aucune fuite ne peut se produire lorsque vous déplacez le produit ou le bidon de carburant.
- Ne placez pas le produit ni le bidon de carburant dans un espace où il y a une flamme nue, des étincelles ou une veilleuse d'allumage. Assurez-vous qu'il n'y a pas de flamme nue dans le lieu de stockage.
- Utilisez uniquement des récipients homologués pour le transport et le stockage de carburant.
- Avant de remiser le produit pour une période prolongée, videz le réservoir de carburant. Respectez la législation locale sur les lieux d'élimination du carburant.
- Nettoyez le produit avant de le remiser pour une période prolongée.
- Retirez la bougie avant de remiser le produit afin de s'assurer que le moteur ne démarre pas par inadvertance.

## Consignes de sécurité pour l'entretien



**AVERTISSEMENT:** Lisez les instructions qui suivent avant d'effectuer l'entretien du produit.

- Effectuez uniquement les travaux de maintenance et d'entretien décrits dans ce manuel d'utilisation. Laissez le personnel d'entretien professionnel

effectuer tous les autres travaux d'entretien et de réparation.

- Effectuez régulièrement les contrôles de sécurité et appliquez les instructions de maintenance et d'entretien indiqués dans ce manuel. Une maintenance régulière augmente la durée de vie utile du produit et réduit le risque d'accident. Reportez-vous à la section *Calendrier de*

*maintenance à la page 142* pour connaître les instructions.

- Si les contrôles de sécurité décrits dans ce manuel d'utilisation ne sont pas approuvés après que vous avez effectué les travaux de maintenance, contactez votre atelier d'entretien. Nous garantissons la disponibilité d'un service de réparation et d'entretien professionnel pour votre produit.

---

## Montage

---

### Introduction



**AVERTISSEMENT:** Avant de monter le produit, vous devez lire et comprendre le chapitre sur la sécurité.



**AVERTISSEMENT:** Débranchez le câble d'allumage de la bougie avant de monter le produit.

### Montage de la poignée en anneau

1. Posez la poignée anneau entre les flèches situées sur l'arbre.
2. Serrez le boulon pour fixer la poignée anneau sur l'arbre. (Fig. 22)

### Pour monter l'équipement de coupe

#### Montage de la protection de l'accessoire de coupe

1. Placez la protection de l'équipement de coupe (A) contre l'arbre. (Fig. 23)

2. Placez le support (B) dans la fente située sur la protection de l'équipement de coupe.
3. Fixez le boulon (C) par le trou du support à la protection de l'équipement de coupe.

#### Installation de la tête de désherbage

1. Assurez-vous que la protection de l'équipement de coupe (A) est fixée sur le produit. Reportez-vous à la section *Montage de la protection de l'accessoire de coupe à la page 139*. (Fig. 24)
2. Assurez-vous que le disque d'entraînement (C) est fixé sur l'arbre de sortie (D).
3. Placez la clé étoile (B) dans le trou afin de bloquer l'arbre.
4. Placez la tête de désherbage (E) sur l'arbre de sortie.
5. Tournez la tête de désherbage dans le sens contraire des aiguilles d'une montre pour la serrer à l'arbre de sortie. (Fig. 25)
6. Retirez la clé étoile.

---

## Utilisation

---

### Introduction



**AVERTISSEMENT:** Avant d'utiliser le produit, vous devez lire et comprendre le chapitre sur la sécurité.

dangereux par rapport au carburant normal, ce qui réduit la quantité de gaz d'échappement dangereux. Ce carburant génère une faible quantité de résidus, ce qui permet de garder les composants du moteur propres plus longtemps.

### Carburant

Ce produit est équipé d'un moteur à deux temps.



**REMARQUE:** L'utilisation d'un type de carburant inadéquat peut endommager le moteur. Utilisez un mélange d'essence et d'huile deux temps.

### Pour mélanger le carburant

#### Essence



**REMARQUE:** N'utilisez pas d'essence avec un indice d'octane inférieur à 90 RON (87 AKI). Cela peut endommager le produit.

### Carburant prémélangé

- Utilisez un carburant alkylate prémélangé Husqvarna de bonne qualité pour des performances optimales et une plus longue durée de vie du moteur. Ce carburant contient des produits chimiques moins



**REMARQUE:** N'utilisez pas d'essence avec une concentration d'éthanol (E10) supérieure à 10 %. Cela peut endommager le produit.

- Utilisez toujours de l'essence sans plomb neuve avec un indice d'octane minimal de 90 RON (87 AKI)

et une concentration d'éthanol (E10) inférieure à 10 %.

- Utilisez de l'essence avec un numéro d'octane supérieur si vous utilisez fréquemment le produit à une vitesse du moteur élevée en continu.

### Huile deux temps

- Pour un résultat et un fonctionnement optimaux, utilisez de l'huile deux temps Husqvarna.
- Si l'huile deux temps Husqvarna n'est pas disponible, utilisez une huile deux temps de haute qualité pour moteurs refroidis à l'air. Contactez votre atelier d'entretien pour sélectionner l'huile appropriée.



**REMARQUE:** N'utilisez pas d'huile deux temps pour les moteurs hors-bord refroidis par eau (huile outboard). N'utilisez pas d'huile pour moteurs à quatre temps.

### Pour mélanger l'essence et l'huile deux temps

Essence, en litres	Huile deux temps, en litres
	<b>2 % (50:1)</b>
5	0,10
10	0,20
15	0,30
20	0,40



**REMARQUE:** lorsque vous mélangez de faibles quantités de carburant, de petites erreurs peuvent influencer considérablement sur le rapport de mélange. Mesurez soigneusement la quantité d'huile et assurez-vous que vous obtenez le mélange correct.

(Fig. 26)

1. Remplissez la moitié de la quantité d'essence dans un récipient propre et adapté pour l'essence.
2. Ajoutez la quantité totale d'huile.
3. Mélangez en secouant le mélange de carburant.
4. Ajoutez le reste de l'essence dans le récipient.
5. Mélangez avec précaution en secouant le récipient.



**REMARQUE:** Ne mélangez jamais plus d'un mois de carburant à chaque fois.

### Pour ajouter du carburant

- Utilisez toujours un bidon d'essence comportant un dispositif d'arrêt de remplissage automatique.
- Si un peu de carburant se déverse sur le bidon, essuyez le carburant et laissez sécher le bidon.
- Assurez-vous que la zone proche du bouchon du réservoir de carburant est propre.
- Agitez le bidon de carburant avant de verser le mélange de carburant dans le réservoir.

### Pour effectuer un rodage

- Au cours des 10 premières heures de fonctionnement, ne faites pas tourner le produit à plein régime sans charge sur des périodes prolongées.

### Pour démarrer et arrêter

#### Pour effectuer les contrôles nécessaires avant l'utilisation

1. Assurez-vous qu'aucune pièce du produit n'est manquante, endommagée, desserrée ou usée.
2. Assurez-vous que les écrous, les vis et les boulons sont serrés.
3. Assurez-vous que la tête de désherbage n'est pas endommagée.
4. Assurez-vous que le filtre à air n'est pas bouché.
5. Assurez-vous que les dispositifs de sécurité sur le produit ne sont pas défectueux.
6. Assurez-vous que le produit ne présente aucune fuite de carburant.

#### Pour démarrer un moteur froid

1. Appuyez 10 fois sur la poire de la pompe à carburant. (Fig. 27)
2. Tirez la commande de starter. (Fig. 28)
3. Plaquez l'appareil contre le sol à l'aide de votre main gauche. (Fig. 29) Ne marchez pas sur le produit. Tirez la poignée du câble du démarreur lentement jusqu'à ce qu'une résistance se fasse sentir. Ensuite, tirez la poignée du câble du démarreur avec force.

**Remarque:** Ne tirez pas la gâchette d'accélération pendant que vous démarrez le moteur.

4. Continuez à tirer la poignée du câble du démarreur jusqu'à ce que le moteur démarre ou essaie de démarrer (max. 3 fois). Lors du démarrage ou de la tentative de démarrage du moteur, abaissez la commande de starter. Continuez à tirer jusqu'à ce que le moteur démarre. Patientez 60 secondes après le démarrage avant de tirer la gâchette d'accélération.



**REMARQUE:** Ne tirez pas sur le câble du démarreur avant que le moteur s'arrête. Ne lâchez pas le câble du

démarrateur lorsqu'il est complètement déployé. Relâchez lentement le câble du démarreur. Le non-respect de ces instructions peut endommager le moteur.

---

### Pour démarrer un moteur chaud

1. Appuyez 10 fois sur la poire de la pompe à carburant.
2. Tirez le câble du démarreur jusqu'à ce que le moteur démarre.

### Pour démarrer le moteur lorsque le carburant est trop chaud

Si l'appareil ne démarre pas, il se peut que le carburant soit trop chaud.

---

**Remarque:** Utilisez toujours un nouveau carburant et limitez le temps de fonctionnement par temps chaud.

1. Placez l'appareil dans un endroit frais à l'abri des rayons du soleil.
2. Laissez l'appareil refroidir pendant 20 minutes au moins.
3. Appuyez maintes fois sur la poire de la pompe à carburant pendant 10 à 15 secondes.
4. Observez la procédure relative au démarrage d'un moteur froid. Reportez-vous à la section *Pour démarrer un moteur froid à la page 140*.

### Pour arrêter

- Appuyez sur le bouton d'arrêt pour arrêter le moteur. (Fig. 30)

---

**Remarque:** Le bouton d'arrêt revient automatiquement à sa position initiale.

---

### Pour faire fonctionner le coupe-herbe



**REMARQUE:** Assurez-vous de mettre le moteur au régime de ralenti après chaque utilisation. Une longue période à plein régime sans charge sur le moteur peut endommager le moteur.

---

**Remarque:** Nettoyez la protection de la tête de désherbage lorsque vous fixez un nouveau fil de coupe-herbe pour éviter les vibrations. Vérifiez les autres parties de la tête de désherbage et nettoyez-les si nécessaire.

---

### Pour tondre l'herbe

1. Maintenez la tête de désherbage juste au-dessus du sol et inclinez-la. Ne poussez pas le fil de coupe dans l'herbe. (Fig. 31)
2. Réduisez la longueur du fil de coupe de 10-12 cm (4-4,75 po).
3. Diminuez la vitesse du moteur afin de limiter le risque d'endommager les plantes.
4. Baissez le régime à 80 % lorsque vous coupez l'herbe à proximité d'objets. (Fig. 32)

### Pour couper l'herbe

1. Assurez-vous que le fil du coupe-herbe est parallèle au sol lorsque vous coupez l'herbe. (Fig. 33)
2. N'appuyez pas la tête de désherbage sur le sol. Le sol et le produit peuvent être endommagés.
3. Ne laissez pas la tête de désherbage toucher le sol en continu. Cela peut endommager la tête de désherbage.
4. Faites tourner le moteur à plein régime lorsque vous déplacez le produit de gauche à droite pour couper l'herbe. Assurez-vous que le fil du coupe-herbe est parallèle au sol. (Fig. 34)

### Tête de désherbage

- Assurez-vous d'enrouler le fil du coupe-herbe fermement et uniformément autour du tambour pour réduire la vibration.
- Utilisez uniquement des têtes de désherbage et fils de coupe-herbe homologués. Consultez la section *Accessoires à la page 145*.
- Utilisez une longueur appropriée de fil de coupe-herbe. Un fil de coupe-herbe long utilise plus de puissance moteur qu'un fil de coupe-herbe court.
- Assurez-vous que le couteau monté sur la protection pour l'équipement de coupe n'est pas endommagé.
- Trempez le fil de coupe-herbe dans de l'eau pendant 2 jours avant de le monter sur le produit. Cela permet d'augmenter la durée de vie du fil de coupe-herbe.

### Pour remplacer le fil de coupe

(Fig. 35)  
(Fig. 36)  
(Fig. 37)  
(Fig. 38)  
(Fig. 39)  
(Fig. 40)  
(Fig. 41)  
(Fig. 42)

---

# Maintenance

---

## Introduction



**AVERTISSEMENT:** Avant d'effectuer des travaux d'entretien, vous devez lire et comprendre le chapitre sur la sécurité.

Une formation spécifique est nécessaire pour effectuer tous les travaux d'entretien et de réparation du produit. Nous garantissons qu'il vous est possible d'obtenir des services de réparation et d'entretien effectués par des professionnels. Si votre concessionnaire n'est pas un atelier spécialisé, demandez-lui des informations à propos de l'atelier spécialisé le plus proche.

## Calendrier de maintenance

### Entretien hebdomadaire

- Nettoyez les surfaces externes.
- Assurez-vous que l'équipement de coupe ne bouge pas lorsque le moteur tourne au ralenti. Reportez-vous à la section *Pour régler le régime de ralenti à la page 142*.
- Examinez le niveau de graisse dans le renvoi d'angle. Reportez-vous à la section *Pour graisser pour le renvoi d'angle à la page 143*.

### Entretien mensuel

- Assurez-vous que le câble du démarreur et sa poignée ne sont pas endommagés.

### Maintenance annuelle

- Vérifiez la bougie. Reportez-vous à *Pour vérifier la bougie à la page 142*
- Nettoyez les surfaces externes du carburateur et les zones adjacentes.
- Nettoyez le système de refroidissement.
- Vérifiez l'écran pare-étincelles. Reportez-vous à la section *Pour effectuer l'entretien de l'écran pare-étincelles à la page 142*.
- Vérifiez le filtre à carburant.
- Assurez-vous que le tuyau de carburant n'est pas endommagé.
- Assurez-vous que les câbles et connexions sur le produit ne sont pas endommagés.

## Pour régler le régime de ralenti

- Assurez-vous que le filtre à air est propre et que le couvercle de filtre à air est fixé avant de régler le régime de ralenti.
- Réglez le régime de ralenti à l'aide de la vis de réglage T identifiée par le repère « T ».
- Le régime de ralenti est correct lorsque le moteur fonctionne sans à-coups dans toutes les positions. Le régime de ralenti doit être inférieur à la vitesse lorsque l'équipement de coupe commence à tourner.

1. Tournez la vis de réglage T dans le sens des aiguilles d'une montre jusqu'à ce que l'équipement de coupe commence à tourner. (Fig. 43)
2. Tournez la vis de réglage T dans le sens contraire des aiguilles d'une montre jusqu'à l'arrêt de l'équipement de coupe.

## Pour effectuer l'entretien de l'écran pare-étincelles

Utilisez une brosse métallique pour nettoyer l'écran pare-étincelles. (Fig. 44)

## Pour nettoyer le circuit de refroidissement

Nettoyez les pièces du circuit de refroidissement avec une brosse.

(Fig. 45)

## Pour vérifier la bougie



**REMARQUE:** Utilisez la bougie recommandée. Assurez-vous que la bougie de remplacement est la même que celle fournie par le fabricant. Une bougie inappropriée peut endommager le produit.

1. Vérifiez la bougie lorsque :
  - a) le moteur manque de puissance ;
  - b) le moteur ne démarre pas facilement ;
  - c) le moteur ne fonctionne pas correctement lorsqu'il tourne au régime de ralenti.
2. Si le moteur a du mal à démarrer ou à fonctionner, vérifiez la présence de matériaux indésirables au niveau de la bougie. Afin de réduire le risque de matériaux indésirables présents sur les électrodes de la bougie :
  - a) assurez-vous que le régime de ralenti est correctement réglé ;
  - b) assurez-vous que le mélange de carburant est correct ;
  - c) assurez-vous que le filtre à air est propre.
3. Nettoyez la bougie si elle est sale. Vérifiez que l'écartement des électrodes est correct. (Fig. 46)
4. Remplacez la bougie lorsque nécessaire.

## Pour entretenir le filtre à air

### Pour nettoyer le filtre à air

1. Retirez le couvercle du filtre à air et le filtre à air. (Fig. 47)

- Nettoyez le filtre à air avec de l'eau chaude savonneuse. Assurez-vous que le filtre à air est sec avant de l'installer.
- Remplacez le filtre à air s'il est trop sale pour le nettoyer complètement. Remplacez toujours un filtre à air endommagé.
- Si votre produit est équipé d'un filtre à air en mousse, appliquez de l'huile pour filtre à air. Appliquez de l'huile pour filtre à air uniquement sur un filtre en mousse. N'appliquez pas d'huile sur un filtre en feutre.

### Pour appliquer de l'huile de filtre à air sur un filtre en mousse



**REMARQUE:** Utilisez toujours de l'huile spéciale pour filtre à air sur les filtres à air en mousse. N'utilisez pas d'autres types d'huile.



**AVERTISSEMENT:** Évitez tout contact de la peau avec l'huile.

- Retirez le couvercle du filtre à air et le filtre à air. (Fig. 48)
- Mettez le filtre à air dans un sachet en plastique.
- Versez l'huile de filtre à air dans le sachet en plastique. (Fig. 49)
- Pressez le sachet en plastique pour s'assurer que l'huile graisse uniformément le filtre à air.
- Pressez le filtre à air à l'intérieur du sachet pour enlever le surplus d'huile de filtre à air. Retirez le filtre à air du sachet.
- Installez le filtre à air.

### Pour graisser pour le renvoi d'angle

Assurez-vous que le renvoi d'angle est aux 3/4 rempli de graisse pour renvoi d'angle.

(Fig. 50)

## Dépannage

### Le moteur ne démarre pas

Contrôle	Cause possible	Procédure
Interrupteur d'arrêt.	L'interrupteur d'arrêt est en position d'arrêt.	Mettez l'interrupteur d'arrêt en position de démarrage.
Cliquets du démarreur.	Les cliquets du démarreur ne peuvent pas se déplacer librement.	Retirez le cache du démarreur et nettoyez autour des cliquets du démarreur.
		Contactez un agent d'entretien agréé pour vous aider.
Réservoir d'essence.	Mauvais type de carburant.	Vidangez le réservoir de carburant et remplissez-le avec le carburant qui convient.
Bougie.	La bougie d'allumage est sale ou humide.	Assurez-vous que la bougie est sèche et propre.
	L'écartement des électrodes de la bougie est incorrect.	Nettoyez la bougie. Vérifiez que l'écartement des électrodes est correct. Assurez-vous que la bougie est dotée d'un surpresseur.
		Reportez-vous aux caractéristiques techniques pour obtenir le bon écartement des électrodes.
	La bougie d'allumage est desserrée.	Serrez la bougie d'allumage.

## Le moteur démarre, puis s'arrête à nouveau

Contrôle	Cause possible	Procédure
Réservoir de carburant	Mauvais type de carburant.	Videz le réservoir de carburant et remplissez-le avec le carburant qui convient.
Filtre à air	Le filtre à air est bouché.	Nettoyez le filtre à air.

## Transport, entreposage et mise au rebut

### Transport et stockage

- Laissez le produit refroidir avant le transport ou le remisage.
  - Retirez le capuchon de la bougie d'allumage avant de le remiser pour une période prolongée.
  - Fixez le produit pour le transporter. Assurez-vous qu'il ne puisse pas bouger.
- Assurez-vous qu'il n'y a aucun risque de fuite de carburant, de vapeurs de carburant, d'étincelles ou d'incendie pendant le transport et le stockage.
  - Nettoyez et effectuez l'entretien sur le produit avant de le remiser pour une période prolongée.

## Caractéristiques techniques

### Caractéristiques techniques

	<b>325L</b> <b>A05328CSHV</b>
<b>Moteur</b>	
Cylindrée, cm <sup>3</sup>	27,6
Régime de ralenti, tr/min	2 800 - 3 200
Régime d'emballage maximal recommandé, tr/min	8 000
Puissance moteur max. selon ISO 8893, kW/ch à tr/min	0,9/1,2 à 8 000
Silencieux avec pot catalytique	Oui
Régime de l'arbre de sortie, tr/min	7 200
<b>Système d'allumage</b>	
Bougie	Husqvarna HQT-4
Écartement des électrodes, mm	0,5
<b>Système de carburant</b>	
Capacité du réservoir de carburant, l/cm <sup>3</sup>	0,343/343
<b>Dimensions du produit</b>	
Poids (sans équipement de coupe), kg	5,0



	<b>325L</b> <b>A05328CSHV</b>
<b>Émissions sonores<sup>31</sup></b>	
Niveau de puissance sonore, garanti (L <sub>WA</sub> ), dB(A)	114
Niveau de puissance sonore mesuré, dB (A)	110
<b>Niveaux sonores<sup>32</sup></b>	
Niveau de pression sonore à l'oreille de l'utilisateur, équipé d'une tête de désherbage, dB(A)	93
<b>Niveaux de vibrations<sup>33</sup></b>	
Niveau de vibration équivalent (ahv, eq), équipé d'une tête de désherbage, poignée gauche m/s <sup>2</sup>	4,2
Niveau de vibration équivalent (ahv, eq), équipée d'une tête de désherbage, poignée droite, m/s <sup>2</sup>	6,1

---

## Accessoires

---

### Accessoires

Accessoires homologués	Type	Protection pour l'équipement de coupe
Arbre fileté	M10L	
Tête de désherbage	T35, Ø 2,4 mm	588 54 37-01

<sup>31</sup> Les émissions sonores de l'environnement sont mesurées en puissance sonore (L<sub>WA</sub>) conformément à la directive CE 2000/14/CE de l'Union européenne. Le niveau de puissance sonore reporté pour le produit a été mesuré avec l'équipement de coupe d'origine qui donne le niveau le plus élevé. Le niveau de puissance sonore garanti diffère du niveau mesuré en cela qu'il prend également en compte la dispersion et les variations d'un produit à l'autre du même modèle, conformément à la directive 2000/14/CE.

<sup>32</sup> Les données reportées pour le niveau de pression sonore équivalent pour le produit montrent une dispersion statistique typique (déviat ion standard) de 1 dB (A).

<sup>33</sup> Les données reportées pour le niveau de vibrations équivalent montrent une dispersion statistique type (déviat ion standard) de 1 m/s<sup>2</sup>.

---

## Déclaration de conformité CE

---

### Contenu de la déclaration de conformité CE

Nous, Husqvarna AB, SE 561 82 Huskvarna, SUÈDE, déclarons sous notre responsabilité exclusive que le produit représenté :

Le coupe-herbe / la débroussailleuse à essence fourni(e) correspond aux exemplaires soumis au contrôle de conformité communautaire européen.

Description	Coupe-herbe / Débroussailleuse à essence
Marque	Husqvarna
Plate-forme / Type / Modèle	Plate-forme A05328CSHV, représentant le modèle325L
Lot	Numéro de série à partir de 2018.

est entièrement conforme à la réglementation et aux directives de l'UE suivantes :

Directive/Réglementation	Description
2006/42/EC	« relative aux machines »
2014/30/UE	« relative à la compatibilité électromagnétique »,
2000/14/EC	« relative au bruit extérieur »
2011/65/UE	« relative à la limitation de l'utilisation de certaines substances dangereuses »

Les normes harmonisées et/ou les spécifications techniques appliquées sont comme suit : EN ISO 12100, EN ISO 11806-1, CISPR 12, ISO 14982, EN 50581:2012

Conformément à la directive 2000/14/CE, Annexe V, les valeurs déclarées saines sont stipulées dans la section Données techniques de ce manuel et dans la Déclaration de Conformité signée de la CE.

TÜV Rheinland N. A. a procédé à un examen volontaire pour Husqvarna AB et lui a attribué un certificat de conformité à la directive 2006/42/CE du Conseil de la CE relative aux machines.

Le certificat, comme indiqué dans la Déclaration de Conformité signée de la CE, s'applique à l'ensemble des sites de fabrication et des pays d'origine, comme indiqué sur le produit.

---

## Sadržaj

---

Uvod.....	147	Rješavanje problema.....	155
Sigurnost.....	148	Prijevoz, spremanje i zbrinjavanje.....	156
Sastavljanje.....	151	Tehnički podaci.....	156
Rad.....	152	Dodaci.....	157
Održavanje.....	154	Izjava o sukladnosti EC.....	158

---

## Uvod

---

### Korisnički priručnik

Prvi jezik u ovom korisničkom priručniku je engleski. Korisnički priručnici na drugim jezicima prijevod su iz engleskog jezika.

### Namjena

Ovaj se proizvod upotrebljava s glavom trimera za košenje trave. Proizvod upotrebljavajte isključivo za uređivanje i čišćenje trave.

### Pregled proizvoda

(Sl. 1)

1. Glava trimera
2. Čep posude za mazivo
3. Pužni zglob
4. Štitnik reznog nastavka
5. Osovina
6. Okrugla ručka
7. Regulator gasa
8. Prekidač za zaustavljanje
9. Blokada regulatora gasa
10. Kapica za svjeće, svjeća
11. Kućište pokretača
12. Drška užeta startera
13. Spremnik za gorivo
14. Poklopac filtra zraka
15. Čašica za uklanjanje zraka
16. Regulator čoka
17. Pogonska podloška
18. Priručnik za rukovatelja
19. Zvezdasti ključ

### Simboli na proizvodu

- (Sl. 2) **UPOZORENJE!** Ovaj proizvod može biti opasan. Ako se proizvod ne upotrebljava pažljivo i sigurno, može doći do ozljede ili smrti rukovatelja ili promatrača. Kako biste spriječili ozljede rukovatelja ili promatrača, pročitajte i poštuju sve sigurnosne upute iz korisničkog priručnika.

**Napomena:** Nacionalnim propisima mogu se utvrditi ograničenja rada ovog proizvoda.

---

- (Sl. 3) Pažljivo pročitajte korisnički priručnik i prije korištenja dobro usvojite sadržaj.
- (Sl. 4) Koristite odobrenu zaštitu sluha. Koristite odobrenu zaštitu za oči.
- (Sl. 5) Proizvod može uzrokovati izbacivanje predmeta koji mogu uzrokovati ozljede.
- (Sl. 6) Maksimalna brzina izlazne osovine.
- (Sl. 7) Tijekom rada s ovim proizvodom održavajte minimalnu udaljenost od 15 m / 50 ft od osoba i životinja.
- (Sl. 8) Upotrebljavajte samo savitljivi flaks trimera.
- (Sl. 9) Ne upotrebljavajte metalne rezne elemente
- (Sl. 10) Strelce prikazuju ograničenja položaja ručice.
- (Sl. 11) Čašica za uklanjanje zraka.
- (Sl. 12) Čok.
- (Sl. 13) Punjenje goriva.
- (Sl. 14) Emisija buke u skladu s direktivom Europske zajednice. Emisije proizvoda navedene su u poglavlju s tehničkim podacima i na naljepnici.
- (Sl. 15) Proizvod ispunjava mjerodavne direktive EC.

(Sl. 16) Proizvod ispunjava mjerodavne direktive EAC.

Na natpisnoj pločici je serijski broj. **gggg** označava godinu proizvodnje, **tt** tjedan proizvodnje, a **xxxxx** je redni broj.

**gggggtxxxx**

**Napomena:** Drugi simboli/naljepnice na proizvodu odnose se na zahtjeve za certifikaciju na drugim tržišnim područjima.

## Pouzdanost proizvoda

Sukladno zakonima o pouzdanosti proizvoda nismo odgovorni za oštećenja uzrokovana našim proizvodima ako je:

- proizvod nepravilno popravljen.
- proizvod popravljen dijelovima koje nije proizveo proizvođač ili nemaju odobrenje proizvođača.
- proizvod ima dodatnu opremu koje nije proizveo proizvođač ili nemaju odobrenje proizvođača.
- proizvod nije popravljen u odobrenom servisnom centru ili kod ovlaštene osobe.

## EU V



**UPOZORENJE:** Petljanjem po motoru gubite pravo na odobrenje EU-a ovog proizvoda.

## Sigurnost

### Sigurnosne definicije

Upozorenjima, oprezima i napomenama naglašavaju se posebno važni dijelovi priručnika.



**UPOZORENJE:** Koristi se kada nepoštivanje uputa iz priručnika može uzrokovati smrt ili ozljede rukovatelja ili promatrača.



**OPREZ:** Koristi se kada nepoštivanje uputa iz priručnika može uzrokovati oštećenje proizvoda ili drugih materijala u neposrednoj blizini.

**Napomena:** Koristi se prikaz neophodnih dodatnih informacija za zadanu situaciju.

### Sigurnost od vibracija

Ovaj je proizvod namijenjen samo za povremenu upotrebu. Neprestana ili redovita upotreba proizvoda može uzrokovati bolest "bijelih prstiju" ili slične medicinske probleme uzrokovane vibracijama. Ako proizvod upotrebljavati neprestano ili redovito, pregledavajte stanje ruku i prstiju. Ako na rukama ili prstima dođe do promjene boje te ako osjetite bolove, trnce ili otupljenost, prekinite s radom i odmah se obratite liječniku.

### Opće sigurnosne upute



**UPOZORENJE:** Prije uporabe proizvoda pročitate upozoravajuće upute u nastavku.

- Proizvod koristite ispravno. Nepravilno korištenje može uzrokovati ozljede ili smrt. Proizvod koristite samo za zadatke iz ovog priručnika. Proizvod nemojte upotrebljavati za druge zadatke.
- Poštujte upute iz ovog priručnika. Poštujte sigurnosne simbole i sigurnosne upute. Ako operater ne poštuje upute i simbole, može doći do ozljeda, oštećenja ili smrti.
- Čuvajte ovaj priručnik. Koristite upute za sastavljanje, korištenje i održavanje proizvoda. Koristite upute za pravilnu ugradnju priključaka i dodatne opreme. Koristite isključivo odobrene priključke i dodatnu opremu.
- Nemojte upotrebljavati oštećen proizvod. Pridržavajte se rasporeda održavanja. Provodite samo radove održavanja za koje su u priručniku navedene upute. Svi drugi radovi održavanja moraju se provesti u ovlaštenom servisnom centru.
- Priručnik ne može sadržavati sve situacije koje mogu nastati prilikom upotrebe proizvoda. Budite pažljivi i razumni. Nemojte koristiti ili održavati proizvod ako niste sigurni u situaciju. Informacije zatražite od stručnjaka za proizvod, servisera ili odobrenog servisnog centra.
- Prije sastavljanja, pohrane ili održavanja proizvoda odspojite kabel svjećice.
- Nemojte koristiti proizvod ako su mu promijenjene početne specifikacije. Nemojte mijenjati dio proizvoda bez odobrenja proizvođača. Upotrebljavajte isključivo dijelove s odobrenjem proizvođača. Nepravilno održavanje može uzrokovati ozljede ili smrt.
- Nemojte udisati pare motora. Dugotrajno udisanje ispušnih para motora opasnost je za zdravlje.
- Proizvod nemojte pokretati u zatvorenom prostoru ili u blizini zapaljivog materijala. Ispušne pare su vruće

- i mogu sadržavati vruće iskre koje mogu uzrokovati požar. Nedovoljan protok zraka može uzrokovati ozljede ili smrt zbog gušenja ili trovanja ugljičnim monoksidom.
- Prilikom korištenja proizvoda motor stvara elektromagnetsko polje. Elektromagnetsko polje može oštetiti medicinske implantate. Prije uporabe proizvoda obratite se liječniku ili proizvođaču medicinskog implantata.
- Djeci nemojte dopustiti korištenje proizvoda. Osobama koje nisu upoznate s uputama nemojte dopustiti upotrebu proizvoda.
- Osobu smanjenih fizičkih ili mentalnih sposobnosti obavezno nadzirite tijekom upotrebe proizvoda. Cijelo vrijeme mora biti prisutna odgovorna odrasla osoba.
- Proizvod zaključajte u prostor u koji je djeci i neovlaštenim osobama onemogućen pristup.
- Proizvod može izbacivati predmete i uzrokovati ozljede. Poštujte sigurnosne upute kako biste smanjili opasnost od ozljede i smrti.
- Nemojte se udaljavati od proizvoda s uključenim motorom.
- Za nezgode je odgovoran korisnik proizvoda.
- Prije upotrebe proizvoda provjerite jesu li njegovi dijelovi neoštećeni.
- Prije korištenja proizvoda provjerite jeste li od drugih osoba ili životinja udaljeni najmanje 15 m (50 stopa). Osobe u neposrednoj okolini morate obavijestiti o namjeri korištenja proizvoda.
- Pogledajte nacionalne ili lokalne zakone. Njima u određenim uvjetima može biti spriječeno ili ograničeno korištenje proizvoda.
- Proizvod nemojte koristiti kada ste izmoreni ili pod utjecajem alkohola, droga ili lijekova. To može negativno utjecati na vaš vid, opreznost, sposobnost rasuđivanja ili koordinaciju.

## Sigurnosne upute za sastavljanje



**UPOZORENJE:** Prije uporabe proizvoda pročitajte upozoravajuće upute u nastavku.

- Prije sastavljanja ovog proizvoda sa svjeće uklonite lulicu svjeće.
- Koristite odobrene zaštitne rukavice.
- Pravilno sastavite poklopac i osovinu prije pokretanja motora.

## Sigurnosne upute za rad

- Prije korištenja proizvoda provjerite je li u potpunosti sastavljen.
- Proizvod prije pokretanja pomaknite za 3 m (10') od mjesta punjenja spremnika za gorivo. Proizvod postavite na ravnu površinu. Rezna oprema ne smije dodirivati tlo ili druge predmete.

- Proizvod može uzrokovati izbacivanje predmeta koji mogu ozlijediti oči. Prilikom korištenja stroja obavezno koristite odobrenu zaštitu za oči.
- Budite pažljivi, tijekom rada proizvodu se može približiti dijete bez vašeg znanja.
- Proizvod nemojte koristiti ako se u radnom području zadržavaju druge osobe. Zaustavite proizvod ako druga osoba pristupi radnom području.
- Obavezno kontrolirajte proizvod.
- Nemojte koristiti proizvod ako ne možete primiti pomoć u slučaju nezgode. Zaustavite proizvod obavezno obavijestite druge osobe kako namjeravate koristiti proizvod.
- Nemojte se okretati s proizvodom prije nego provjerite ima li drugih osoba ili životinja u sigurnosnom području.
- Prije početka iz radnog područja uklonite sav neželjeni materijal. Ako rezna oprema udari u predmet, može ga izbaciti i uzrokovati ozljedu ili oštećenje. Neželjeni materijal može se omotati oko rezne opreme i oštetiti ju.
- Proizvod nemojte koristiti po lošem vremenu (magla, kiša, jaki vjetar, opasnost od grmljavine ili drugi nepovoljni vremenski uvjeti). Loše vrijeme može uzrokovati opasne uvjete (poput skliskih površina).
- Provjerite slobodu kretanja i radite u stabilnom položaju.

(Sl. 17)

- Prilikom rada s proizvodom osigurajte se od pada. Tijekom rada s proizvodom nemojte ga naginjati.
- Proizvod obavezno držite s obje ruke. Proizvod držite na desnoj strani tijela.

(Sl. 18)

- Proizvod koristite s reznom opremom ispod razine struka.
- Ako je kontrola čoka u položaju čoka pri pokretanju motora, rezna oprema počinje se okretati.
- Nakon zaustavljanja motora nemojte dodirivati konusni zupčanik. Konusni zupčanik je vruć nakon zaustavljanja motora. Vruća područja mogu uzrokovati ozljede.
- Prije prenošenja proizvoda zaustavite motor.
- Proizvod nemojte spuštati uz uključen motor.
- Prije uklanjanja neželjenog materijala s proizvoda zaustavite motor i pričekajte na zaustavljanje rezne opreme. Prije nego vi ili pomoćnik počnete uklanjati rezani materijal, pričekajte na zaustavljanje rezne opreme.

## Oprema za osobnu zaštitu



**UPOZORENJE:** Prije uporabe proizvoda pročitajte upozoravajuće upute u nastavku.

- Prilikom upotrebe stroja obavezno koristite prikladnu opremu za osobnu zaštitu. Oprema za osobnu zaštitu ne poništava opasnost od ozljede. Oprema

za osobnu zaštitu smanjuje ozbiljnost ozljede u slučaju nezgode.

- Tijekom upotrebe stroja obavezno koristite odobrenu zaštitu za oči.
- Proizvod nemojte upotrebljavati bez obuće ili s otvorenim cipelama. Obavezno koristite čizme za teške uvjete rada otporne na klizanje.
- Nosite teške, duge hlače.
- Po potrebi nosite odobrene zaštitne rukavice.
- Ako postoji opasnost od padanja predmeta na glavu, nosite kacigu.
- Tijekom upotrebe stroja obavezno koristite odobrenu zaštitu sluha. Dugotrajna izloženost buci može uzrokovati gubitak sluha.
- U blizini obavezno imajte kutiju prve pomoći.

## Sigurnosne upute za proizvod



**UPOZORENJE:** Prije uporabe proizvoda pročitajte upozoravajuće upute u nastavku.

- Nemojte koristiti proizvod s oštećenim zaštitnim uređajima.
- Redovito pregledavajte sigurnosne uređaje. Pogledajte *Pregled proizvoda na stranici 147*.
- Ako su sigurnosni uređaji neispravni, obratite se Husqvarna servisnom zastupniku.

### Blokada regulatora gasa

Blokada okidača gasa blokira okidač gasa.

(Sl. 19)

Pritisnite blokadu regulatora gasa (A) kako biste otpustili regulator gasa (B). Po otpuštanju ručice blokada regulatora gasa i regulator gasa vraćaju se u početne položaje.

1. Regulator gasa (B) mora biti blokiran u praznom hodu prilikom otpuštanja blokade regulatora gasa (A).
2. Pritisnite blokadu regulatora gasa (A) i provjerite vraća li se po otpuštanju u početni položaj.
3. Pritisnite regulator gasa (B) i provjerite vraća li se po otpuštanju u početni položaj.

Pokrenite motor i potom dajte puni gas. Otpustite regulator gasa i provjerite zaustavlja li se rezna oprema. Ako se rezna oprema okreće uz gas u položaju praznog hoda, pregledajte vijak za podešavanje praznog hoda na rasplinjaču.

### Prekidač za zaustavljanje

Pokrenite motor. Provjerite zaustavlja li se motor kada prekidač za zaustavljanje postavite u položaj za zaustavljanje.

(Sl. 20)

## Štitnik rezne opreme

Štitnik rezne opreme sprječava izbacivanje nepričvršćenog predmeta prema korisniku.

(Sl. 21)

Pregledajte štitnik rezne opreme i zamijenite ga ako je oštećen. Za reznu opremu koristite isključivo odobreni štitnik.

## Prigušivač

- Nemojte koristiti motor ako je prigušivač oštećen. Oštećen prigušivač povećava razinu buke i opasnost od požara. Imajte protupožarni aparat u blizini.
- Redovno provjeravajte pričvršćenost prigušivača za proizvod.
- Kada je motor uključen nemojte dodirivati motor ili prigušivač. Motor ili prigušivač nemojte dodirivati ni neposredno nakon zaustavljanja motora. Vruće površine mogu uzrokovati ozljede.
- Vrući prigušivač može uzrokovati požar. Budite pažljivi ako proizvod koristite u blizini zapaljivih tekućina ili para.
- Ako je prigušivač oštećen, nemojte dodirivati njegove dijelove. Dijelovi mogu sadržavati kancerogene kemikalije.

## Rezna oprema



**UPOZORENJE:** Prije uporabe proizvoda pročitajte upozoravajuće upute u nastavku.

- Provodite redovno održavanje. Redovno pregledavajte reznu opremu u ovlaštenom servisnom centru radi prilagodbi ili popravaka.
  - Time povećavate učinkovitost rezne opreme.
  - Tako produljujete vijek trajanja priključaka.
  - Također smanjujete opasnost od nezgoda.
- Koristite isključivo odobreni štitnik rezne opreme. Više informacija potražite u *Dodaci na stranici 157*.
- Nemojte koristiti oštećenu reznu opremu.

## Sigurnost pri rukovanju s gorivom



**UPOZORENJE:** Prije uporabe proizvoda pročitajte upozoravajuće upute u nastavku.

- Gorivo nemojte miješati u zatvorenom prostoru ili u blizini izvora topline.
- Nemojte pokretati proizvod ako u njemu ima goriva ili motornog ulja. Uklonite neželjeno gorivo/ulje i pričekajte na sušenje proizvoda. Uklonite neželjeno gorivo iz proizvoda.
- Ako gorivo prolijete po odjeći, odmah ju zamijenite.
- Gorivu nemojte dopustiti kontakt s tijelom jer može uzrokovati ozljede. Ako dođe do kontakta goriva s tijelom, sapunom i vodom isperite gorivo.

- Nemojte pokretati motor ako ste po proizvodu ili tijelu proliili gorivo.
- Nemojte pokretati proizvod ako motor propušta. Redovito pregledavajte ima li na motoru propuštanja.
- Budite pažljivo s gorivom. Gorivo je zapaljivo, a pare su eksplozivne i mogu uzrokovati ozljede i smrt.
- Nemojte udisati pare goriva, one mogu uzrokovati ozljede. Osigurajte dovoljan protok zraka.
- U blizini goriva ili motora nemojte pušiti.
- U blizinu goriva ili motora nemojte stavljati vruće predmete.
- Nemojte ulijevati gorivo kada je motor uključen.
- Prije ulijevanja goriva provjerite je li motor hladan.
- Prije ulijevanja goriva polako otvorite čep spremnika goriva i pažljivo ispusite tlak.
- Gorivo u motor nemojte ulijevati u zatvorenom prostoru. Nedovoljan protok zraka može uzrokovati ozljede ili smrt zbog gušenja ili trovanja ugljičnim monoksidom.
- Pažljivo zategnite čep spremnika goriva kako ne biste uzrokovali požar.
- Prije pokretanja proizvod odmaknite najmanje 3 m (10') od mjesta punjenja spremnika.
- U spremnik za gorivo nemojte uliti previše goriva.
- Provjerite ima li propuštanja pri pomicanju proizvoda ili posude za gorivo.
- Proizvod ili posudu za gorivo nemojte stavljati u blizinu otvorenog plamena, iskri ili lampica. U prostoru za skladištenje ne smije biti otvorenog plamena.
- Za prijenos ili skladištenje goriva koristite isključivo odobrene posude.
- Prije dugotrajnog skladištenja ispraznite spremnik za gorivo. Poštujte lokalne zakone o lokaciji zbrinjavanja goriva.
- Očistite proizvod prije dugotrajnog skladištenja.
- Prije skladištenja stroja uklonite kabel svjeće kako biste spriječili slučajno pokretanje motora.

## Sigurnosne upute za održavanje



**UPOZORENJE:** Prije održavanja proizvoda pročitajte upozoravajuće upute u nastavku.

- Provodite samo mjere održavanja i servisiranja navedene u ovom korisničkom priručniku. Neka profesionalno servisno osoblje obavi sve ostale servise i popravke.
- Redovito vršite sigurnosne provjere, održavanje i servis prema uputama u ovom priručniku. Redovitim održavanjem povećavate životni vijek proizvoda i smanjujete opasnost od nezgoda. Za upute pročitajte *Raspored održavanja na stranici 154*.
- Ako sigurnosne provjere iz ovog korisničkog priručnika nisu odobrene nakon provedbe održavanja, razgovarajte sa svojim servisnim zastupnikom. Jamčimo dostupnost profesionalnih popravaka i servisiranja za vaš proizvod.

## Sastavljanje

### Uvod



**UPOZORENJE:** Prije sastavljanja proizvoda morate pročitati i usvojiti poglavlje o sigurnosti.



**UPOZORENJE:** Prije sastavljanja proizvoda sa svjeće uklonite kabel svjeće.

### Sastavljanje okrugle ručke

1. Postavite okruglu ručku između strelica na osovinu.
2. Pritegnite vijak kako biste okruglu ručku pričvrstili na osovinu. (Sl. 22)

### Sastavljanje rezne opreme

#### Sastavljanje štitnika rezne opreme

1. Postavite štitnik rezne opreme (A) na osovinu. (Sl. 23)

2. Postavite nosač (B) u utor štitnika rezne opreme.
3. Provucite svornjak (C) kroz provrt na nosaču do štitnika rezne opreme.

#### Pričvrščivanje glave trimera

1. Pobrinite se da štitnik rezne opreme (A) bude pričvršćen na proizvod. Pogledajte *Sastavljanje štitnika rezne opreme na stranici 151*. (Sl. 24)
2. Pobrinite se da je pogonska podloška (C) pričvrščena na izlaznu osovinu (D).
3. Stavite zvjezdasti ključ (B) u provrt za blokadu osovine.
4. Glavu trimera (E) postavite na izlaznu osovinu.
5. Okrećite glavu trimera suprotno od smjera kretanja kazaljke na satu radi njezina pritezanja na izlaznu osovinu. (Sl. 25)
6. Uklonite zvjezdasti ključ.

# Rad

## Uvod



**UPOZORENJE:** Prije rada s proizvodom morate pročitati i usvojiti poglavlje o sigurnosti.

## Gorivo

Proizvod ima dvotaktni motor.



**OPREZ:** Neispravna vrsta goriva može uzrokovati oštećenje motora. Upotrebljavajte mješavinu benzina i ulja za dvotaktne motore.

## Prethodno izmiješano gorivo

- Upotrebljavajte Husqvarna prethodno izmiješano alkalatno gorivo dobre kvalitete za najbolje performanse motora i produljenje njegova životnog vijeka. To gorivo sadrži manje štetnih kemikalija u usporedbi s uobičajenim gorivom koje sadržava štetne ispušne plinove. Količina ostataka nakon sagorijevanja manja je s ovim gorivom, što komponente motora održava čistijima.

## Miješanje goriva

### Benzin



**OPREZ:** Nemojte koristiti benzin s oktanskim brojem manjim od 90 RON (87 AKI). Tako možete oštetiti proizvod.



**OPREZ:** Nemojte koristiti benzin s koncentracijom etanola višom od 10% (E10). Tako možete oštetiti proizvod.

- Obavezno koristite bezolovni benzin minimalnog oktanskog broja 90 RON (87 AKI) i s koncentracijom etanola manjom od 10% (E10).
- Ako proizvod koristite redovito i pri visokom broju okretaja, koristite benzin s višim oktanskim brojem.

### Ulje za dvotaktne motore

- Za najbolje rezultate i performanse upotrebljavajte Husqvarna ulje za dvotaktne motore.
- Ako ulje za dvotaktne motore tvrtke Husqvarna nije dostupno, upotrijebite neko drugo ulje za dvotaktne motore dobre kvalitete za motore sa zračnim hlađenjem. O odabiru ispravne vrste ulja razgovarajte sa svojim servisnim zastupnikom.



**OPREZ:** Ne upotrebljavajte ulje za dvotaktne vanbrodske motore hlađene vodom, poznato još i kao ulje za

vanbrodske motore. Nemojte upotrebljavati ulje za četverotaktne motore.

## Miješanje benzina i ulja za dvotaktne motore

Benzin, litra	Ulje za dvotaktne motore, litra
	<b>2 % (50:1)</b>
5	0,10
10	0,20
15	0,30
20	0,40



**OPREZ:** Čak i male pogreške mogu drastično utjecati na omjer mješavine kada miješate manje količine goriva. Pažljivo izmjerite količinu ulja kako biste bili sigurni da ćete dobiti ispravnu mješavinu.

(Sl. 26)

- Polovicu količine benzina ulijte u čisti spremnik za gorivo.
- Ulijte cijelu količinu ulja.
- Promiješajte mješavinu goriva.
- Ulijte preostalu količinu benzina u spremnik.
- Pažljivo promiješajte mješavinu goriva.



**OPREZ:** Gorivo ne miješajte za razdoblje dulje od 1 mjeseca.

## Ulijevanje goriva

- Obavezno koristite posudu za gorivo s ventilom za sprječavanje izlijevanja.
- Ako se u posudi nalazi gorivo, izlijte neželjeno gorivo i isušite ju.
- Područje uz čep spremnika goriva mora biti čisto.
- Posude za gorivo protresite prije ulijevanja mješavine u spremnik za gorivo.

## Uhodavanje

- Tijekom prvih 10 sati rada ne primjenjujte puni gas bez opterećenja kroz dulje razdoblje.



## Pokretanje i zaustavljanje

### Pregled prije pokretanja

1. Pobrinite se da na proizvodu nema dijelova koji nedostaju, koji su oštećeni, olabavljeni ili pohabani.
2. Provjerite jesu li matice, vijci i svornjaci pritegnuti.
3. Provjerite je li neoštećena glava trimera.
4. Provjerite je li filter zraka začepljen.
5. Provjerite ispravnost sigurnosnih uređaja na proizvodu.
6. Provjerite curi li gorivo iz proizvoda.

### Pokretanje hladnog motora

1. 10 puta pritisnite pumpicu za gorivo. (Sl. 27)
2. Regulator čoka povucite prema gore. (Sl. 28)
3. Kucišite proizvoda lijevom rukom pritisnite uz tlo. (Sl. 29) Nemojte nagaziti na proizvod. Polako povlačite ručicu užeta za pokretanje dok ne osjetite otpor. Tada snažno povucite ručicu užeta za pokretanje.

**Napomena:** Tijekom pokretanja motora nemojte povlačiti regulator gasa.

4. Nastavite povlačiti ručicu užeta pokretača do pokretanja ili pokušaja pokretanja motora (maks. 3 povlačenja). Kada započne pokretanje motora, pritisnite regulator čoka. Nastavite povlačiti do pokretanja motora. Nakon pokretanja pričekajte 60 s prije povlačenja regulatora gasa.



**OPREZ:** Uže pokretača nemojte povlačiti dok se ne zaustavi. Nemojte ispuštati potpuno izvučeno uže pokretača. Uže pokretača ispuštajte polako. Nepoštivanjem ovih uputa možete uzrokovati oštećenje motora.

### Pokretanje zagrijanog motora

1. 10 puta pritisnite pumpicu za gorivo.
2. Povlačite uže za pokretanje do pokretanja motora.

### Pokretanje motora kada je gorivo prevruće

Ako se proizvod ne može pokrenuti, možda je gorivo prevruće.

**Napomena:** Uvijek koristite novo gorivo i skratite rad u toplom vremenu.

1. Proizvod stavite na hladno mjesto podalje od izravnog sunčeva svjetla.
2. Pustite da se proizvod hladi najmanje 20 minuta.
3. Pumpicu za gorivo opetovano pritišćite 10 – 15 sekunda.
4. Primijenite postupak za pokretanje hladnog motora. Pogledajte *Pokretanje hladnog motora na stranici 153*.

## Zaustavljanje

- Za zaustavljanje motora pritisnite prekidač za zaustavljanje. (Sl. 30)

**Napomena:** Prekidač za zaustavljanje automatski se vraća u početni položaj.

## Korištenje trimera za travu



**OPREZ:** Nakon svake radnje usporite motor na broj okretaja u praznom hodu. Dugotrajni rad neopterećenog motora pod punim gasom može uzrokovati njegovo oštećenje.

**Napomena:** Pri postavljanju novog flaksa trimera očistite poklopac glave trimera kako biste spriječili vibracije. Pregledajte i po potrebi očistite druge dijelove glave trimera.

## Podrezivanje trave

1. Glavu trimera držite neposredno iznad tla i pod kutom. Flaks trimera nemojte utiskati u travu. (Sl. 31)
2. Smanjite duljinu flaksa trimera za 10 – 12 cm / 4 – 4,75 in.
3. Smanjite broj okretaja kako biste smanjili rizik od oštećenja bilja.
4. Ako kosite travu u blizini predmeta, koristite 80 % gasa. (Sl. 32)

## Košenje trave

1. Flaks trimera za travu tijekom košenja treba biti paralelan s tlom. (Sl. 33)
2. Glavu trimera nemojte pritiskati na tlo. Možete oštetiti tlo i proizvod.
3. Nemojte dopustiti neprekidan dodir glave trimera i tla, tako možete oštetiti glavu trimera.
4. Tijekom košenja trave pomicanjem stroja s jedne strane na drugu koristite puni gas. Flaks trimera za travu treba biti paralelan s tlom. (Sl. 34)

## Glava trimera za travu

- Flaks trimera za travu čvrsto i ravnomjerno zategnite oko bubnja kako biste smanjili vibracije.
- Koristite isključivo odobrene glave trimera za travu i flaks trimera za travu. Pogledajte *Dodaci na stranici 157*.
- Koristite ispravnu duljinu flaksa trimera za travu. Dugi flaks trimera za travu više opterećuje motor od kratkog flaksa trimera za travu.
- Provjerite ispravnost noža na štitniku rezne opreme.
- Flaks trimera za travu prije postavljanja na proizvod 2 dana natapajte u vodi. Tako produljujete vijek trajanja flaksa trimera za travu.

## Zamjena flaksa trimera

(Sl. 35)

---

## Održavanje

---

### Uvod

---



**UPOZORENJE:** Prije održavanja morate pročitati i usvojiti poglavlje o sigurnosti.

---

Za sve radove servisiranja i održavanja na proizvodu potrebna je posebna obuka. Jamčimo dostupnost profesionalnih popravaka i servisa. Ako vaš distributer nije serviser, od njega zatražite informacije o najbližem serviseru.

### Raspored održavanja

#### Tjedno održavanje

- Očistite vanjske površine.
- Rezni nastavak ne smije se kretati u praznom hodu. Pogledajte *Podešavanje broja okretaja u praznom hodu na stranici 154*.
- Provjerite razinu maziva u konusnom zupčaniku. Pogledajte *Podmazivanje konusnog zupčanika na stranici 155*.

#### Mjesečno održavanje

- Pobrinite se da ručica užeta pokretača i uža pokretača nisu oštećeni.

#### Godišnje održavanje

- Pregledajte svječicu. Pogledajte *Pregled svječice na stranici 154*.
- Očistite vanjske površine rasplinjača te okolne površine.
- Očistite rashladni sustav.
- Pregledajte mrežicu za hvatanje iskri. Pogledajte *Održavanje mrežice za hvatanje iskri na stranici 154*.
- Pregledajte filter goriva.
- Provjerite je li neoštećeno crijevo za gorivo.
- Provjerite jesu li neoštećeni kabeli i priključci na proizvodu.

### Podešavanje broja okretaja u praznom hodu

- Prije podešavanja broja okretaja u praznom hodu provjerite je li filter zraka čist i je li postavljen poklopac filtra.
- Broj okretaja u praznom hodu podešavate vijkom za podešavanje broja okretaja u praznom hodu T kojeg možete prepoznati po oznaci "T".
- Broj okretaja motora u praznom hodu ispravan je kada motor radi ugladeno u svim položajima. Broj okretaja motora u praznom hodu mora biti manji od

broja okretaja pri kojem se rezna oprema počinje okretati.

1. Vijak za podešavanje broja okretaja u praznom hodu okrećite u smjeru kazaljke na satu sve dok se rezna oprema ne počne okretati. (Sl. 43)
2. Vijak za podešavanje broja okretaja u praznom hodu okrećite u smjeru suprotnom od kazaljke na satu sve dok se rezna oprema ne zaustavi.

### Održavanje mrežice za hvatanje iskri

Mrežicu za hvatanje iskri očistite žičanom četkicom. (Sl. 44)

### Čišćenje rashladnog sustava

Dijelove rashladnog sustava očistite četkicom. (Sl. 45)

### Pregled svječice

---



**OPREZ:** Koristite preporučene svječice. Zamjena mora biti jednaka dijelu koji je isporučio proizvođač. Neprikladna svječica može oštetiti proizvod.

---

1. Svječicu pregledajte kada:
  - a) motor nema snage.
  - b) se motor teško pokreće.
  - c) motor ne radi ispravno u praznom hodu.
2. Ako je motor teško koristiti ili održavati u radu, provjerite ima li na svjeđici nepoželjnih materijala. Za smanjenje opasnosti od nepoželjnog materijala na elektrodama svječice:
  - a) provjerite ispravnu podešenost broja okretaja u praznom hodu.
  - b) provjerite ispravnost mješavine goriva.
  - c) provjerite je li filter zraka čist.
3. Očistite zaprljanu svječicu. Provjerite jesu li razmaci između elektroda ispravni. (Sl. 46)
4. Svječicu zamijenite po potrebi.

### Održavanje filtra zraka

#### Čišćenje filtra zraka

1. Skinite poklopac filtra zraka i izvadite filter zraka. (Sl. 47)
2. Očistite filter zraka vrućom sapunicom. Filter zraka mora biti suh prije ugradnje.

3. Ako je filter zraka previše onečišćen i ne možete ga u potpunosti očistiti, zamijenite ga. Oštećeni filter zraka obavezno zamijenite.
4. Ako proizvod ima pjenasti filter zraka, koristite ulje za filter zraka. Ulje za filter zraka nanosite samo na pjenasti filter. Ulje nemojte nanositi na filter od filca.
1. Skinite poklopac filtera zraka i izvadite filter zraka. (Sl. 48)
2. Filter zraka stavite u plastičnu vrećicu.
3. Ulijte ulje za filter zraka u plastičnu vrećicu. (Sl. 49)
4. Pritisnite plastičnu vrećicu kako biste omogućili ravnomjeran raspored ulja u filteru.
5. Pritisnite filter zraka u vrećici kako biste istisnuli nepotrebno ulje iz zračnog filtera. Izvadite filter zraka iz vrećice.
6. Ugradite filter zraka.

### Nanošenje ulja za filter zraka na filter zraka



**OPREZ:** Za pjenaste filtera zraka obavezno koristite posebno ulje za filtre goriva. Nemojte koristiti druge vrste ulja.



**UPOZORENJE:** Sprječite kontakt ulja s vašim tijelom.

### Podmazivanje konusnog zupčanika

3/4 konusnog zupčanika mora biti napunjeno mazivom za konusni zupčanik.

(Sl. 50)

## Rješavanje problema

### Motor se ne pokreće

Provjera	Mogući uzrok	Postupak
Sklopka za zaustavljanje.	Provjerite je li sklopka za zaustavljanje u položaju za zaustavljanje.	Sklopku za zaustavljanje postavite u položaj za pokretanje.
Startne kopče.	Startne kopče ne mogu se slobodno pomicati.	Uklonite poklopac pokretača i očistite prostor oko startnih kopči. Zatražite pomoć od odobrenog servisera.
Spremnik za gorivo.	Neispravna vrsta goriva.	Ispraznite spremnik za gorivo i ulijte ispravno gorivo.
Svjećica.	Svjećica je prljava ili mokra.	Provjerite je li svjećica suha i čista.
	Razmak elektroda svjećice nije ispravan.	Očistite svjećicu. Provjerite ispravnost razmaka između elektroda. Svjećica mora imati zaštitu od radio valova. Ispravan zazor elektroda potražite u tehničkim podacima.
	Svjećica nije zategnuta.	Zategnite svjećicu.

### Motor se pokreće, no potom zaustavlja

Provjera	Mogući uzrok	Postupak
Spremnik za gorivo	Neispravna vrsta goriva.	Ispraznite spremnik za gorivo i napunite ga ispravnim gorivom.
Filter zraka	Filter zraka je začepljen.	Očistite filter zraka.

# Prijevoz, spremanje i zbrinjavanje

## Prijevoz i skladištenje

- Prije transporta ili skladištenja pričekajte na hlađenje proizvoda.
- Prije dugotrajnog skladištenja uklonite lulicu svječiće.
- Pričvrstite proizvod tijekom transporta. Spriječite njegovo pomicanje.

- Tijekom transporta i skladištenja ne smije doći do ispuštanja goriva, isparavanja goriva, iskrenja ili požara.
- Prije dugotrajnog skladištenja očistite i servisirajte proizvod.

## Tehnički podaci

### Tehnički podaci

	<b>325L</b> <b>A05328CSHV</b>
<b>Motor</b>	
Zapremnina cilindra, cm <sup>3</sup>	27,6
Broj okretaja u praznom hodu, o/min	2800 – 3200
Preporučeni maks. broj okretaja, o/min	8000
Snaga / maks. izlazna snaga motora prema ISO 8893, kW/ks na okr/min	0,9 / 1,2 na 8000
Ispušni lonac s katalizatorom	Da
Broj obrtaja izlaznog vratila, o/min	7200
<b>Sustav uključivanja</b>	
Svječića	Husqvarna HQT-4
Zazor elektroda, mm	0,5
<b>Sustav goriva</b>	
Zapremnina spremnika za gorivo, l/cm <sup>3</sup>	0,343/343
<b>Dimenzije proizvoda</b>	
Težina (bez rezne opreme), kg	5,0
<b>Buka<sup>34</sup></b>	
Razina jačine zvuka, zajamčena L <sub>WA</sub> dB(A)	114
Razina jačine zvuka, izmjerena, dB(A)	110
<b>Razine buke<sup>35</sup></b>	
Razina pritiska zvuka na uhu korisnika, opremljeno glavom trimera, dB(A)	93

<sup>34</sup> Emisija buke izmjerena u okolini kao jačina zvuka (L<sub>WA</sub>) sukladno EU Direktivi 2000/14/EC. Navedena razina jačine zvuka za ovaj proizvod izmjerena je originalnim reznim nastavkom koji daje najveću razinu zvuka. Razlika između zajamčene i izmjerene razine zvuka jest da zajamčena razina uključuje i raspršenje rezultata mjerenja i varijacija između različitih proizvoda istog modela u skladu s Direktivom 2000/14/EZ.

<sup>35</sup> Navedeni podaci za ekvivalentnu razinu tlaka zvuka za proizvod obuhvaćaju tipično statističko raspršenje (standardno odstupanje) od 1 dB (A).

	<b>325L</b> <b>A05328CSHV</b>
<b>Razine vibracije<sup>36</sup></b>	
Ekvivalentna razina vibracija (ahv, eq), opremljeno glavom trimera, lijeva ručica, m/s <sup>2</sup>	4,2
Ekvivalentna razina vibracija (ahv, eq), opremljeno glavom trimera, desna ručica, m/s <sup>2</sup>	6,1

---

## Dodaci

---

### Dodaci

Odobreni dodaci	Vrsta	Štitnik reznog nastavka
Osovina s navojem	M10L	
Glava trimera	T35, Ø 2,4 mm	588 54 37-01

<sup>36</sup> Podaci o ekvivalentnoj razini vibracije pokazuju tipičnu statističko raspršenje (standardno odstupanje) od 1 m/s<sup>2</sup>.

---

## Izjava o sukladnosti EC

---

### Sadržaj deklaracije o usklađenosti EZ-a

Tvrtka Husqvarna AB, SE 561 82 Huskvarna, ŠVEDSKA izjavljuje pod izričitom odgovornosti kako je predstavljeni proizvod:

<b>Opis</b>	<b>Benzinski trimmer za travu / čistač šikare</b>
Marka	Husqvarna
Platforma / Vrsta / Model	Platforma A05328CSHV, koja predstavlja model 325L
Grupa	Serijski brojevi iz 2018. i noviji.

u potpunosti sukladan sa sljedećim EU direktivama i propisima:

Direktiva/propis	Opis
2006/42/EZ	„o strojevima“
2014/30/EU	„o elektromagnetskoj kompatibilnosti“
2000/14/EZ	„o vanjskoj buci“
2011/65/EU	„o ograničenju uporabe određenih opasnih tvari“

Primijenjene su sljedeće usklađene norme i/ili tehničke specifikacije: EN ISO 12100, EN ISO 11806-1, CISPR 12, ISO 14982, EN 50581:2012 .

U skladu s dodatkom V direktive 2000/14/EC, objavljene vrijednosti zvuka navedene su u odjeljku s tehničkim podacima u ovom priručniku i u potpisanoj EC izjavi o sukladnosti.

TÜV Rheinland N.A. je proveo dobrovoljno ispitivanje za tvrtku Husqvarna AB i izdao certifikaciju za usklađenost s EC Direktivom vijeća 2006/42/EC za strojeve.

Certifikacija u potpisanoj EC izjavi o sukladnosti primjenjiva je za sve proizvodne lokacije i zemlje podrijetla navedene na proizvodu.

Isporučeni benzinski trimmer za travu / čistač šikare odgovara ispitanom primjerku.

# TARTALOMJEGYZÉK

Bevezető.....	159	Hibaelhárítás.....	168
Biztonság.....	160	Szállítás, tárolás és ártalmatlanítás.....	168
Összeszerelés.....	164	Műszaki adatok.....	169
Üzemeltetés.....	164	Tartozékok.....	170
Karbantartás.....	166	EK megfeleléségi nyilatkozat.....	171

## Bevezető

### Kezelői kézikönyv

A kezelői kézikönyv eredeti nyelve angol. A más nyelvű kezelői kézikönyvek az angol változat fordításai.

### Rendeltetésszerű használat

A termék damilfejjel felszerelve fűvágásra használható. Ne használja a terméket fűnyírástól és fűritkítástól eltérő célokra.

### A termék áttekintése

(ábra 1)

1. Damilfej
2. Zsírbetöltő sapka
3. Szöghajtás
4. A vágófelszerelés védőburkolata
5. Nyél
6. Hurokfogantyú
7. Gázadagoló
8. Leállítókapcsoló
9. Gázadagoló retesze
10. Gyertyapipa, gyújtógyertya
11. Indítószervezet háza
12. Berántókötél markolata
13. Üzemanyagtartály
14. Légszűrő fedél
15. Üzemanyagpumpa
16. Hidegindító kar
17. Hajtótárcsa
18. Kezelői kézikönyv
19. Csillagkulcs

### A termék szimbólumai

(ábra 2) **FIGYELMEZTETÉS!** A termék veszélyes. A kezelőre és a közelben állókra is vonatkozó sérülés és halál kockázata áll fenn, amennyiben a terméket nem megfelelően és körültekintően használják. A kezelő és a közelben állók biztonságának érdekében olvassa el és tartsa be a használati utasítás minden biztonsági utasítását.

**Megjegyzés:** A termék működtetésére nemzeti jogszabályok általi korlátozások vonatkozhatnak.

(ábra 3) Olvassa el figyelmesen a használati utasítást, és győződjön meg róla, hogy megértette azt, mielőtt a terméket használatba veszi.

(ábra 4) Használjon jóváhagyott fűvédőt. Használjon jóváhagyott védőszemüveget.

(ábra 5) A termék tárgyakat repíthet szét, amelyek sérülést okozhatnak.

(ábra 6) A kimenőtengely maximális fordulatszáma.

(ábra 7) A termék használata közben tartson legalább 15 méteres távolságot az emberektől és az állatoktól.

(ábra 8) Csak rugalmas fűvágó damilt használjon.

(ábra 9) Ne használjon fém vágóelemeket.

(ábra 10) A nyilak a fogantyú véghelyezeteit mutatják.

(ábra 11) Üzemanyagpumpa.

(ábra 12) Szívató.

(ábra 13) Üzemanyagfeltöltés.

(ábra 14) Az Európai Közösség irányelvének megfelelő környezeti zajkibocsátás. A termék kibocsátási adatai megtalálhatók a Műszaki adatok című fejezetben és a címkén.

(ábra 15) Ez a termék megfelel a vonatkozó EK-irányelveknek.

(ábra 16) Ez a termék megfelel a vonatkozó EAC-irányelveknek.

A sorozatszámot fel-tüntető ti-pustábla. Az **éééé** a gyártási év, a **hh** a gyártási hét, az **xxxxx** pedig a sorozatszám.

**ééééhhxxxx**

**Megjegyzés:** A terméken szereplő többi jelölés/címke a további piacok specifikus vizsgáztatási követelményeire vonatkozik.

## Termékszavatosság

A termékszavatosságra vonatkozó jogszabályok értelmében nem vagyunk felelősek a termékeink által okozott károkért az alábbi esetekben:

- a termék javítását helytelenül végezték;
- az a termék javítása nem a gyártótól származó vagy általa jóváhagyott alkatrészekkel történt;
- a terméket nem a gyártótól származó vagy általa jóváhagyott kiegészítővel szerelték fel;
- a termék javítását nem hivatalos szakszerviz vagy jóváhagyott egyéb szerviz végezte.

## EU V



**FIGYELMEZTETÉS:** A motor módosítása érvényteleníti a termékre vonatkozó európai uniós típusjóváhagyást.

## Biztonság

### Biztonsági meghatározások

A figyelmeztetések, óvintézkedések és megjegyzések a használati utasítás kiemelten fontos részeire hívják fel a figyelmet.



**FIGYELMEZTETÉS:** Akkor használatos, ha a kézikönyv utasításainak be nem tartása esetén fennáll a kezelő vagy a közelben tartózkodók sérülésének vagy halálának veszélye.



**VIGYÁZAT:** Akkor használatos, ha a kézikönyv utasításainak be nem tartása esetén fennáll a vagyoni kár, illetve a termék vagy a környező terület károsodásának veszélye.

**Megjegyzés:** További információt biztosít az adott helyzetben szükséges tennivalókról.

### Rezgéssel kapcsolatos biztonsági tudnivalók

Ez a termék csak alkalmanként használható. A termék folyamatos vagy rendszeres használata a rezgés miatt újfelhéredést vagy hasonló tüneteket okozhat. Ha folyamatosan vagy rendszeresen használja a terméket, vizsgáltsa meg kezei és ujjai egészségi állapotát. Ha kézfeje vagy ujjai elszíneződtek, fájnak, bizseregnek vagy zsibbadnak, ne folytassa a munkát, és forduljon azonnal orvoshoz.

### Általános biztonsági utasítások



**FIGYELMEZTETÉS:** A termék használata előtt olvassa el az alábbi figyelmeztetéseket.

- Használja a terméket megfelelően. A nem megfelelő használat súlyos, akár halálos sérüléssel is járhat. A terméket csak a kézikönyvben ismertetett feladatokra használja. Ne használja a terméket egyéb feladatokra.
- Tartsa be a kézikönyvben olvasható utasításokat. Vegye figyelembe a biztonsági jelzéseket és tartsa be a biztonsági utasításokat. Ha a kezelő nem az utasítások és a szimbólumok szerint jár el, anyagi kár, személyi sérülés, akár halál is bekövetkezhet.
- Őrizze meg a kézikönyvet. Használja az utasítást a termék összeszereléséhez, működtetéséhez és a megfelelő üzemállapot fenntartásához. Használja az utasítást a kiegészítők és tartozékok megfelelő felszereléséhez. Csak jóváhagyott kiegészítőt és tartozékot használjon.
- Ne használjon sérült terméket. Tartsa be a karbantartási ütemtervet. Csak olyan karbantartási munkát végezzen, amire a kézikönyvben utasítást talál. Az összes többi karbantartási munkát bízza a hivatalos szakszervizre.
- A kézikönyv nem tartalmazhatja minden olyan helyzet leírását, ami a termék használata során előfordulhat. Legyen körültekintő és hagyatkozzon a józan eszére. Ne működtesse a terméket és ne végezzen rajta karbantartást, ha nem biztos a dolgában. Kérjen tájékoztatást a termék szakértőjétől, a forgalmazótól, szervizműhelytől vagy a hivatalos márkaszerviztől.



- Húzza le a gyertyapipát, mielőtt a termék összeszerelésébe kezd, elteszi vagy karbantartásba kezd.
- Ne használja a terméket, ha megváltozott az eredeti specifikációja. Ne cseréljen a terméken alkatrészt a gyártó jóváhagyása nélkül. Kizárólag a gyártó által jóváhagyott alkatrészeket használja. A nem megfelelő karbantartás súlyos, akár végzetes sérüléssel is járhat.
- Ne lélegezze be a motorból kiáramló füstöt. A motor kipufogógázainak hosszas belégzése káros lehet az egészségre.
- Ne indítsa be az egységet zárt helyiségben vagy gyullékony anyagok közelében. A kipufogógázok forróak, és lehet bennük szikra, mely tüzet okozhat. A nem elegendő mértékű légáramlás fulladás vagy szén-monoxid miatt egészségkárosodást, akár halált is okozhat.
- A termék használatakor a motor elektromágneses mezőt hoz létre. Az elektromágneses mező károsíthatja az orvosi implantátumokat. A termék használata előtt kérje ki orvosa vagy orvosi implantátuma gyártójának tanácsát.
- A terméket gyermekek nem használhatják. Ne engedélyezze a termék használatát olyan személy számára, aki nem ismeri a használati utasítás tartalmát.
- Csökkent fizikai vagy szellemi képességekkel rendelkező személy csak felügyelet mellett használhatja a terméket. Egy felelős felnőttnek mindig jelen kell lennie.
- A termék zárja el olyan helyre, ahol gyermek vagy jogosulatlan személy nem férhet hozzá.
- A termék tárgyakat repíthet szét, és ezzel sérülést okozhat. Tartsa be a biztonsági előírásokat, hogy csökkenthető legyen a súlyos, akár halálos sérülések kockázata.
- Ne hagyja magára a járó motorú terméket.
- Az esetleges balesetekért a termék kezelője a felelős.
- A termék használatának megkezdése előtt ellenőrizze az alkatrészek épségét.
- A termék használatának megkezdése előtt gondoskodjon arról, hogy minimum 15 m (50 láb) távolságra kerüljön más személyektől, illetve állatoktól. Tudassa a közelben levő személyekkel, hogy használni fogja a terméket.
- Tartsa be az állami vagy helyi törvényeket. Egyes feltételek mellett ezek tilthatják vagy korlátozhatják a termék használatát.
- Ne használja a terméket, ha fáradt, illetve alkohol, kábítószer vagy gyógyszer hatása alatt áll. Ezek befolyásolhatják a látását, éberségét, koordinációját vagy ítéletképességét.

## Biztonsági utasítások az összeszereléshez



**FIGYELMEZTETÉS:** A termék használata előtt olvassa el az alábbi figyelmeztetéseket.

- A termék összeszerelése előtt távolítsa el a gyertyapipát a gyújtógyertyáról.
- Használjon jóváhagyott védőkesztyűt.
- A motor beindítása előtt ellenőrizze, hogy megfelelően összeszerelte-e a fedelet és a nyelet.

## Biztonsági utasítások az üzemeltetéshez

- A használata előtt gondoskodjon arról, hogy a termék legyen teljesen összeszerelve.
- Vigye legalább 3 m (10 láb) távolságra a terméket a tankolás helyétől, mielőtt beindítaná. Fektesse a terméket vízszintes felületre. Gondoskodjon arról, hogy a vágófelszerelés se a talajhoz, se egyéb tárgyakhoz ne érjen hozzá.
- A termék tárgyakat repíthet szét, amelyek szemsérülést okozhatnak. A termék használatakor viseljen jóváhagyott védőszemüveget.
- Legyen körültekintő, a termék használata közben az Ön tudta nélkül közel jöhetnek gyerekek.
- Ne működtesse a terméket, ha a munkaterületen másvalaki is tartózkodik. Állítsa le a terméket, ha valaki belép a munkaterületre.
- Legyen körültekintő, hogy ne veszítse el uralmát a termék felett.
- Ne használja a terméket, ha baleset esetén nincs, aki segítsen. Mindig tudassa másokkal, hogy használni fogja a terméket, mielőtt dolgozni kezd vele.
- Csak akkor forduljon meg a termékkel, ha meggyőződött arról, hogy sem ember, sem állat nincs a biztonsági területen belül.
- Munkakezdés előtt távolítson el minden nem kívánatos anyagot a munkaterületről. Ha a vágófelszerelés nekiütözik valaminek, az elrepülve személyi sérülést vagy anyagi kárt okozhat. A nem kívánatos anyag rátekeredhet a vágófelszerelésre és kárt okozhat.
- Ne használja a terméket rossz időjárás esetén (köd, eső, erős szél, villámlás kockázata vagy egyéb kedvezőtlen időjárási viszonyok). Rossz időjárás esetén veszélyes feltételek alakulhatnak ki (például csúszós talajfelület).
- Ügyeljen arra, hogy szabadon mozoghasson, és dolgozzon stabil testhelyzetben. (ábra 17)
- Ügyeljen arra, hogy ne eshessen el a termék használatakor. Ne görnyedve, meghajolva használja a terméket.

- Tartsa mindig mindkét kezével a terméket. A terméket tartsa teste jobb oldalán. (ábra 18)
- Használat közben a vágófelszerelés legyen a derékszint alatt.
- Ha a hidegindító karja motorindításkor hidegindítás helyzetben van, a vágófelszerelés fogorni kezd.
- Ne érjen a szöghajtáshoz, miután leállt a motor. A szöghajtás a használat során felforrósodik. A forró felületek sérülést okozhatnak.
- Állítsa le a motort, mielőtt szállítani kezdi a terméket.
- Ne tegye le a terméket járó motorral.
- Mielőtt a terméken lévő, nem kívánatos anyagok eltávolításába kezd, állítsa le a motort és várja meg, amíg a vágófelszerelés leáll. Várja meg, hogy a vágófelszerelés leálljon, mielőtt Ön vagy a segítségével eltávolítja a levágott anyagot.

## Személyi védőfelszerelés



**FIGYELMEZTETÉS:** A termék használata előtt olvassa el az alábbi figyelmeztetéseket.

- Amikor a terméket használja, mindig viseljen megfelelő személyi védőfelszerelést. A személyi védőfelszerelés nem szünteti meg a személyi sérülés kockázatát. A személyi védőfelszerelés egy esetleges baleset esetén mérsékli a sérülés mértékét.
- A termék használatakor viseljen jóváhagyott védőszemüveget.
- Ne mezítláb vagy nyitott cipőben működtesse a terméket. Mindig viseljen erős, csúszásmentes bakancsot.
- Viseljen vastag, hosszú szárú nadrágot.
- Szükség esetén használjon jóváhagyott védőkesztyűt.
- Vegyen fel védősisakot, ha fennáll az esélye, hogy valami a fejére eshet.
- A termék használatakor viseljen jóváhagyott fülvédőt. A zajnak való tartós kitettséggel halláskárosodást okozhat.
- Legyen a közelben elsősegély-készlet.

## Biztonsági eszközök a terméken



**FIGYELMEZTETÉS:** A termék használata előtt olvassa el az alábbi figyelmeztetéseket.

- Ne használjon olyan terméket, amelynek hibásak a biztonsági eszközei.
- Rendszeresen ellenőrizze a biztonsági eszközöket. Lásd az *A termék áttekintése 159. oldalon* fejezetet.
- A biztonsági eszközök meghibásodása esetén vegye fel a kapcsolatot a Husqvarna szakszervizzel.

## Gázadagoló retesze

A gázadagoló retesze a gázadagoló kart rögzíti véletlen használat ellen.

(ábra 19)

A gázadagoló (B) kioldásához nyomja meg a gázadagoló reteszt (A). Amikor elengedi a fogantyút, a gázadagoló retesze és a gázadagoló is visszatér alaphelyzetbe.

1. Ellenőrizze, hogy amikor elengedi a gázadagoló reteszt (A) a gázadagoló (B) alapjáratú helyzetben rögzül.
2. Nyomja le a gázadagoló reteszt (A) és győződjön meg arról, hogy az visszatér az eredeti helyzetébe, miután felengedi.
3. Nyomja le a gázadagoló (B) és győződjön meg arról, hogy az visszatér az eredeti helyzetébe, miután elengedi.

Indítsa be a motort és adjon teljes gázt. Engedje el a gázadagoló és ellenőrizze, hogy a vágófelszerelés leáll. Ha a vágófelszerelés a gázadagoló alapjáratú helyzetében is forog, vizsgálja meg a karburátoron az alapjárat-beállító csavar helyzetét.

## Leállítókapcsoló

Indítsa be a motort. Győződjön meg arról, hogy a motor leáll, amikor a leállítókapcsolót STOP helyzetbe állítja.

(ábra 20)

## A vágófelszerelés védőburkolata

A vágófelszerelés védőburkolata megakadályozza, hogy az elszabadult tárgyak elérjék a kezelőt.

(ábra 21)

Vizsgálja meg a vágófelszerelés védőburkolatának épségét, és cserélje ki, ha megsérült. A vágófelszereléshez csak a jóváhagyott védőburkolatot használjon.

## Kipufogódob

- Ne indítsa be a motort, ha a kipufogódob megsérült. A hibás kipufogódob növeli a zajszintet és a tűzveszélyt. Legyen a közelben tűzoltó készülék.
- Ellenőrizze rendszeresen a kipufogódob rögzítettségét.
- Ne érjen a motorhoz vagy a kipufogódobhoz, ha jár a motor. Ne érjen a motorhoz vagy a kipufogódobhoz még egy darabig, miután leállította a motort. A forró felületek sérülést okozhatnak.
- A forró kipufogódob tüzet okozhat. Legyen óvatos, ha a terméket gyúlékony folyadékok vagy gőzök közelében használja.
- Ne érjen a kipufogódob alkatrészeihez, ha a kipufogódob megsérült. Az alkatrészek rákkeltő vegyi anyagokat tartalmazhatnak.

## Vágófelszerelés



**FIGYELMEZTETÉS:** A termék használata előtt olvassa el az alábbi figyelmeztetéseket.

- Végezzen rendszeres karbantartást. Vizsgáltsa át rendszeresen a vágófelszerelést szakszervizben, ahol elvégzik a szükséges beállításokat, javításokat.
  - A vágófelszerelés teljesítménye és az élettartama ezáltal egyaránt megnő,
  - a balesetveszély pedig csökken.
- Csak jóváhagyott védőburkolatot használjon a vágófelszereléshez. További tudnivalókat lásd: *Tartozékok170. oldalon.*
- Ne használjon sérült vágófelszerelést!

## Üzemanyaggal kapcsolatos biztonság



**FIGYELMEZTETÉS:** A termék használata előtt olvassa el az alábbi figyelmeztetéseket.

- Ne keverjen üzemanyagot beltéren vagy hőforrás közelében.
- Ne indítsa be a terméket, ha üzemanyag vagy motorolaj került rá. Távolítsa el a nem kívánt üzemanyagot/motorolajat és hagyja megszáradni a terméket. Távolítsa el a nem kívánt üzemanyagot a termékről.
- Ha a kiömlött üzemanyag a ruhájára csöppent, öltözzön át azonnal.
- Ügyeljen arra, hogy ne kerüljön üzemanyag a testére, mert az sérülést okozhat. Ha üzemanyag került a testére, távolítsa el a szappannal és vízzel.
- Ne indítsa be a motort, ha olaj vagy üzemanyag került a termékre vagy Önre.
- Ne indítsa be a motort, ha szivárog a motor. Vizsgálja meg rendszeresen a motort szivárgás szempontjából.
- Bánjon óvatosan az üzemanyaggal. Az üzemanyag gyúlékony, a gőzei robbanásveszélyesek, ezért súlyos, akár végzetes sérülést is okozhat.
- Ne lélegezzen be az üzemanyag gőzeit, egészségkárosodást okozhatnak. Gondoskodjon megfelelő légáramlásról.
- Az üzemanyag vagy a motor közelében ne dohányozzon.
- Az üzemanyag vagy a motor közelébe ne tegyen forró tárgyakat.
- Ne tankoljon járó motornál.

- Várja meg a tankolással, amíg lehűl a motor.
- Tankolás előtt nyissa meg lassan a tanksapkát, engedje ki óvatosan a nyomást.
- Ne beltérben tankoljon. A nem elegendő mértékű légáramlás fulladás vagy szén-monoxid miatt egészségkárosodást, akár halált is okozhat.
- Kőrültekintően húzza meg a tanksapkát, különben tűz keletkezhet.
- Vigye legalább 3 m (10 láb) távolságra a terméket a tankolás helyétől, mielőtt beindítaná.
- Ne töltsen túl üzemanyaggal a terméket.
- Ügyeljen arra, hogy ne forduljon elő szivárgás, amikor a terméket vagy az üzemanyagtartályt mozgatja.
- Ne vigye olyan helyre a terméket vagy az üzemanyagtartályt, ahol nyílt láng, szikra vagy őrláng található. Győződjön meg arról, hogy a tárolás helyén nem található nyílt láng.
- Csak jóváhagyott tartályt használjon az üzemanyag szállítására vagy tárolására.
- Hosszú távú tárolás előtt ürítse ki az üzemanyagot a termékből. A lefejtett üzemanyag elhelyezésekor járjon el a hatályos helyi előírások szerint.
- Hosszú távú tárolás előtt tisztítsa meg a terméket.
- Húzza le a gyertyapipát, mielőtt a terméket elteszi, hogy a motor ne indulhasson be véletlenül.

## Biztonsági utasítások a karbantartáshoz



**FIGYELMEZTETÉS:** A terméken végzett karbantartási műveletek előtt olvassa el az alábbi figyelmeztetéseket.

- Kizárólag a jelen használati utasításban szereplő karbantartási és szervizmunkákat végezze el. Minden egyéb szervizelést és javítást professzionális szervizszeméllyel végeztessen el.
- Rendszeresen végezze el az ebben a használati utasításban megadott ellenőrzési, karbantartási és szervizmunkálatokat. A rendszeres karbantartás megnöveli a termék élettartamát, és csökkenti a balesetek kockázatát. Az utasításokat illetően tekintse át a következőt: *Karbantartási terv166. oldalon.*
- Ha a karbantartás elvégzése után nem felel meg a termék a jelen használati utasításban foglalt biztonsági ellenőrzéseknek, forduljon az illetékes szakszervizhez. Garantáljuk a termékéhez megfelelő, professzionális javítást és szervizelést.

# Összeszerelés

## Bevezető



**FIGYELMEZTETÉS:** A termék összeszerelése előtt el kell olvasnia és meg kell értenie a biztonságról szóló fejezetet.



**FIGYELMEZTETÉS:** A termék összeszerelése előtt távolítsa el a gyújtógyertya kábelét a gyújtógyertyából.

## A hurokfogantyú összeszerelése

1. Szerelje fel a hurokfogantyút a nyélen található nyílak közötti részre.
2. Szorítsa meg a csavart, ezzel rögzítve a hurokfogantyút a nyélen. (ábra 22)

## A vágófelszerelés felszerelése

### A vágófelszerelés védőburkolatának felszerelése

1. Helyezze a vágófelszerelés védőburkolatát (A) a nyélre. (ábra 23)

2. Illessze a rögzítőelemet (B) a vágófelszerelés védőburkolatán lévő nyílásba.
3. Illessze a csavart (C) a vágófelszerelés burkolatán lévő rögzítőelem nyílásába, majd csavarja be.

### A damilfej felszerelése

1. Győződjön meg arról, hogy a vágófelszerelés védőburkolata (A) fel van-e szerelve a termékre. Lásd: *A vágófelszerelés védőburkolatának felszerelése 164. oldalon.* (ábra 24)
2. Győződjön meg arról, hogy a hajtótárcsa (C) fel van-e szerelve a kimenőtengelyre (D).
3. Helyezze be a csillagkulcsot (B) a nyílásba a nyél rögzítéséhez.
4. Helyezze a damilfejet (E) a kimenőtengelyre.
5. Forgassa a damilfejet az óramutató járásával ellentétes irányba, ezzel rögzítve azt a kimenőtengelyen. (ábra 25)
6. Távolítsa el a csillagkulcsot.

# Üzemeltetés

## Bevezető



**FIGYELMEZTETÉS:** A termék működtetése előtt el kell olvasnia és meg kell értenie a biztonságról szóló fejezetet.

## Üzemanyag

A termékben kétütemű motor működik.



**VIGYÁZAT:** A nem megfelelő üzemanyag használata a motor károsodásához vezethet. Benzin és kétütemű motorolaj keverékét használja üzemanyagként.

## Előkevert üzemanyag

- A jó teljesítmény és a motor élettartamának megnövelése érdekében jó minőségű, előkevert Husqvarna alkilüzemanyagot használjon. Ez az üzemanyagtípus kevesebb a hagyományos üzemanyagokhoz képest kevesebb vegyszert tartalmaz, így a kipufogó károsanyag-kibocsátása is mérséklődik. Az égés után visszamaradó anyagok mennyisége ezen üzemanyag esetében kevesebb, ami tisztább állapotban tartja a motor alkotóelemeit.

## Az üzemanyag keverése

### Benzin



**VIGYÁZAT:** Ne használjon 90 RON (87 AKI) oktánszámúnál gyengébb benzint. Ezzel kárt tehet a termékben.



**VIGYÁZAT:** Ne használjon olyan benzint, ami több mint 10% etanolt tartalmaz (E10). Ezzel kárt tehet a termékben.

- Használjon friss, minimum 90 RON (87 AKI) oktánszámú és 10%-nál kevesebb etanolt (E10) tartalmazó, ölmozzatlan benzint.
- Használjon magasabb oktánszámú benzint, ha gyakran használja a terméket folyamatosan magas fordulatszámon.

### Kétütemű motorhoz való olaj

- A legjobb eredmények és teljesítmény érdekében használjon Husqvarna kétütemű motorolajat.
- Ha nem áll rendelkezésre Husqvarna kétütemű motorolaj, használjon más jó minőségű, léghűtéses motorokhoz készült kétütemű olajat. A megfelelő olaj kiválasztását illetően forduljon az illetékes szakszervizhez.



**VIGYÁZAT:** Ne használjon vízhűtéses külső motorokhoz való kétütemű motorolajat (más néven „outboard” olajat). Soha ne használjon négyütemű motorokhoz való olajat.

### Benzin és kétütemű olaj összekeverése

Benzin, liter	Kétütemű olaj, liter
	<b>2% (50:1)</b>
5	0,10
10	0,20
15	0,30
20	0,40



**VIGYÁZAT:** Kisebb mennyiségű üzemanyag kikeverésekor fennáll a veszélye, hogy az apróbb hibák jelentősen befolyásolják a keverési arányt. A helyes keverési arány érdekében gondosan mérje ki a keverékhez adagolandó olaj mennyiségét.

(ábra 26)

1. Töltse bele a benzin felét egy üzemanyaghoz való, tiszta tartályba.
2. Töltse be a teljes olajmennyiséget.
3. Rázza össze az üzemanyag-keveréket.
4. Öntse bele a benzin megmaradó részét a tartályba.
5. Óvatosan rázza össze az üzemanyag-keveréket.



**VIGYÁZAT:** Ne keverjen be 1 havi adagnál több üzemanyagot egyszerre.

### Tankolás

- Mindig túlcordulás-védelemmel ellátott üzemanyagtartályt használjon.
- Ha maradt a tartályban, távolítsa el a nem kívánt üzemanyagot és szárítsa ki a tartályt.
- A tanksapka körüli területet tisztítsa le.
- Rázza össze maga előtt az üzemanyagtartályt, és tankolja meg a gépet az üzemanyag-keverékkel.

### Bejáratás elvégzése

- A működés első 10 órája során ne alkalmazzon teljes gázt terhelés nélkül hosszabb időn keresztül.

## Indítás és leállítás

### Beindítás előtti átvizsgálás

1. Ellenőrizze, hogy a termék összes alkatrésze megvan-e, illetve nem rendelkezik-e sérült, meglazult vagy elhasználódott alkatrészekkel.
2. Győződjön meg arról, hogy az anyacsavarok és a csavarok szorosan meg vannak-e húzva.
3. Ellenőrizze, hogy nem található-e sérülések a damilfejen.
4. Ellenőrizze, hogy a levegőszűrő nincs-e eltömődve.
5. Ellenőrizze, hogy nem hibásak-e a termék biztonsági eszközei.
6. Győződjön meg arról, hogy a termékből nem szivárog-e az üzemanyag.

### Hideg motor indítása

1. Nyomja meg 10-szer az üzemanyagpumpát. (ábra 27)
2. Húzza fel a szívatókart. (ábra 28)
3. Nyomja a géptestet bal kézzel a talajnak. (ábra 29)  
Ne lépjen rá a termékre. Húzza ki lassan az indítózsínort, amíg ellenállást nem érez, majd folytassa erőből a meghúzását.

**Megjegyzés:** Ne húzza a gázadagolót a motor indítása közben.

4. Folytassa az indítózsínór húzását, amíg a motor be nem indul vagy megpróbál beindulni (max. 3 húzás). Ha indul a motor vagy próbál indulni, nyomja le a hidegindító kart üzemelés állásba. Folytassa az indítási kísérleteket az indítózsínórral, amíg a motor beindul. Miután a motor beindult, hagyja 60 másodpercig járni, mielőtt gázt ad.



**VIGYÁZAT:** Az indítózsínórt ne húzza ki ütközésig. Az indítózsínór kihúzását követően ne engedje el a zsínór fogantyúját. Engedje vissza lassan az indítózsínórt. Ha nem így tesz, a motor károsodhat.

### Meleg motor indítása

1. Nyomja meg 10-szer az üzemanyagpumpát.
2. Húzza meg az indítófogantyút, amíg a motor be nem indul.

### A motor beindítása forró üzemanyag mellett

Ha a termék nem indul be, az üzemanyag túl forró lehet.

**Megjegyzés:** Mindig új üzemanyagot használjon, és kerülje a használatot meleg időben.

1. Tegye a terméket hűvös helyre, közvetlen naposítástól távol.

2. Hagyja, hogy a termék legalább 20 percen át hűljön.
3. Nyomja meg az üzemanyagpumpát többször egymás után 10-15 másodpercen át.
4. Kövesse a hideg motor indításának lépéseit. Lásd: *Hideg motor indítása 165. oldalon.*

## Leállítás

- A motor leállításához nyomja meg a leállítókapcsolót. (ábra 30)

**Megjegyzés:** A leállítókapcsoló magától visszaáll alaphelyzetbe.

## A fűszegélyvágó használata



**VIGYÁZAT:** Minden művelet követően hagyja visszaállni a motort alapjárat fordulatszámra. A motort károsíthatja, ha terhelés nélkül hosszan működtetik teljes gázzal.

**Megjegyzés:** Damil pótlásakor tisztítsa meg a damilfej burkolatát, hogy megelőzhetőek legyenek a rezgések. Vizsgálja meg a damilfej többi alkatrészét, szükség esetén cserélje ki.

## Fűszegély nyírás

1. Tartsa a szegélynyíró fejet közvetlenül a talajszint felett ferdén. Ne nyomja bele a damilt a fűbe. (ábra 31)
2. Csökkentse a fűvágó damil hosszát 10-12 cm-re.
3. Csökkentse a motor fordulatszámát, hogy megóvja a növényeket a károsodástól.
4. Csak 80% gázt adjon, amikor akadályok közelében végez fűnyírást. (ábra 32)

## Fűnyírás

1. A fűszegélyvágó damilja kaszáláskor legyen párhuzamos a talajjal. (ábra 33)
2. Ne nyomja le a talajra a damilfejet. A talaj és a termék is károsodhat.
3. Ne hagyja, hogy a damilfej folyamatosan a talajhoz érjen, mert az károsodhat.
4. A kaszáló mozdulatokat teljes gázadással végezze. A fűszegélyvágó damilja legyen párhuzamos a talajjal. (ábra 34)

## Fűvágó damilfej

- A rezgés csökkentése érdekében a fűvágó damilt egyenletesen, ne túl szorosan csévélje fel a dobra.
- Csak a jóváhagyott damilfejet és damilt használjon. Lásd *Tartozékok 170. oldalon.*
- Használjon megfelelő hosszúságú fűvágó damilt. A hosszú fűhöz való damil nagyobb teljesítményt igényel a motortól, mint a rövid fűhöz való.
- A vágófelszerelés védőburkolatán lévő késnek épnek kell lennie.
- Áztassa vízben a fűvágó damilt 2 napig, mielőtt felszereli a termékre. Ezzel megnöveli a fűvágó damil élettartamát.

## A szegélyvágó damil pótlása

(ábra 35)

(ábra 36)

(ábra 37)

(ábra 38)

(ábra 39)

(ábra 40)

(ábra 41)

(ábra 42)

# Karbantartás

## Bevezető



**FIGYELMEZTETÉS:** Karbantartás előtt el kell olvasnia és meg kell értenie a biztonságról szóló fejezetet.

A gépen végzett minden szerviz- és javítási munkálat szakképzettséget igényel. Garantáljuk a professzionális javítások és szervizelés lehetőségét. Ha viszonteladója nem szervizműhely, forduljon hozzájuk a legközelebbi szervizműhellyel kapcsolatban.

## Karbantartási terv

### Heti karbantartás

- Tisztítsa meg a külső felületeket.

- Ellenőrizze, hogy a vágófelszerelés alapjárat fordulatszámán nem mozog-e. Lásd: *Az alapjárat fordulatszám beállítása 167. oldalon.*
- Ellenőrizze a szöghajtásban lévő zsír mennyiségét. Lásd: *A szöghajtás zsírzása 167. oldalon.*

### Havi karbantartás

- Ellenőrizze, hogy az indítószinór és annak fogantyúja sértetlen-e.

### Éves karbantartás

- Ellenőrizze a gyújtógyertyát. Lásd: *A gyújtógyertya ellenőrzése 167. oldalon*
- Tisztítsa meg a karburátor külső felületeit és a környezetét.
- Tisztítsa ki a hűtőrendszert.
- Ellenőrizze a szikrafogó hálót. Lásd: *A szikrafogó háló karbantartása 167. oldalon.*

- Ellenőrizze az üzemanyagszűrőt.
- Ellenőrizze, hogy az üzemanyag-vezeték sértetlen-e.
- Ellenőrizze, hogy a termék kábeli és csatlakozásai sértetlenek-e.

## Az alapjárat fordulatszám beállítása

- Az alapjárat fordulatszám beállítása előtt gondoskodjon arról, hogy tiszta legyen a levegőszűrő és fel legyen szerelve a légszűrő fedél.
  - Az alapjárat fordulatszám beállításához használja az alapjárat fordulatszám beállító T csavart (ami „T” jelzéssel rendelkezik).
  - Az alapjárat fordulatszám akkor van helyesen beállítva, ha a motor minden helyzetben egyenletesen jár. Az alapjárat fordulatszám alacsonyabbnak kell lennie a vágófelszerelés forgásához szükséges fordulatszámánál.
1. Csavarja először a T csavart az óramutató járásával megegyező irányba addig, amíg a vágófelszerelés forogni nem kezd. (ábra 43)
  2. Csavarja a T csavart az óramutató járásával ellenkező irányba addig, amíg a vágófelszerelés forgása le nem áll.

## A szikrafogó háló karbantartása

A szikrafogó háló tisztítását végezze drótkéfével. (ábra 44)

## A hűtőrendszer kitisztítása.

Tisztítsa meg a hűtőrendszer alkatrészeit ecsettel. (ábra 45)

## A gyújtógyertya ellenőrzése.



**VIGYÁZAT:** Használjon ajánlott típusú gyújtógyertyát. Az új gyertya egyezzen meg a gyártó által biztosított alkatrésszel. A nem megfelelő gyújtógyertya károsíthatja a terméket.

1. Ellenőrizze a gyújtógyertyát, ha:
  - a) a motor gyenge;
  - b) nehézkes az indítás;
  - c) egyenetlen a motor alapjárata.
2. Ha a motor nehezen indul vagy gyakran leáll, ellenőrizze a gyújtógyertyát, nincs-e rajta szennyeződés. A gyújtógyertya elektródái közötti lerakódások kialakulásának csökkentése érdekében:
  - a) gondoskodjon az alapjárat fordulatszám megfelelő beállításáról;

- b) gondoskodjon a megfelelő üzemanyag-keverékről;
- c) gondoskodjon a levegőszűrő tisztaságáról.

3. Tisztítsa meg a gyújtógyertyát, ha elszennyeződött. Ellenőrizze, hogy megfelelő-e a szikraköz. (ábra 46)
4. Szükség esetén cserélje ki a gyújtógyertyát.

## A levegőszűrő karbantartása

### A levegőszűrő megtisztítása

1. Távolítsa el a levegőszűrő fedelét és a levegőszűrőt. (ábra 47)
2. Meleg szappanos víz segítségével tisztítsa meg a levegőszűrőt. A levegőszűrőt teljesen szárazon szerelje csak vissza.
3. Cserélje ki a levegőszűrőt, ha túlságosan elszennyeződött a kitisztításához. Mindig cserélje ki a sérült levegőszűrőt.
4. Ha a termék levegőszűrője szivacs, tegyen rá légszűrőolajat. Csak szivacs levegőszűrőre tegyen légszűrőolajat. Filcszűrőre ne tegyen olajat.

### Levegőszűrő kezelése légszűrőolajjal



**VIGYÁZAT:** A szivacs levegőszűrőt csak speciális légszűrőolajjal kezelje. Ne használjon másféle olajat.



**FIGYELMEZTETÉS:** Ügyeljen arra, hogy ne kerüljön Önre az olajból.

1. Távolítsa el a levegőszűrő fedelét és a levegőszűrőt. (ábra 48)
2. Tegye be a levegőszűrőt egy műanyag tasakba.
3. Tegyen légszűrőolajat is a műanyag tasakba. (ábra 49)
4. Nyomkodja meg a műanyag tasakot, hogy az olaj egyenletesen átítassa a levegőszűrőt.
5. Nyomkodja ki a levegőszűrőből a felesleges olajat még a tasakban. Vegye ki a levegőszűrőt a tasakból.
6. Szerelje be a levegőszűrőt.

## A szöghajtás zsírása

A szöghajtás legyen 3/4 részig feltöltve szöghajtás-kenőzsírral.

(ábra 50)

---

## Hibaelhárítás

---

### A motor nem indul

Ellenőrzés	Lehetséges ok	Eljárás
Leállítókapcsoló.	A leállítókapcsoló a stop pozícióban van.	A leállítókapcsolót állítsa a start pozícióba.
Indítófogak.	Az indítófogak nem tudnak szabadon mozogni.	Vegye le az indító fedelét és tisztítsa meg az indítófogak környezetét.
		Kérje hivatalos szervizműhely segítségét a karbantartáshoz.
Üzemanyagtartály.	Nem megfelelő üzemanyag.	Engedje le az üzemanyagtartályt és töltsön be megfelelő üzemanyagot.
Gyújtógyertya.	A gyújtógyertya koszos vagy nedves.	Bizonyosodjon meg róla, hogy a gyújtógyertya száraz és tiszta.
	A gyújtógyertya szikraköze nem megfelelő.	Tisztítsa meg a gyújtógyertyát. Ellenőrizze, hogy megfelelő-e a szikraköz. Ellenőrizze, hogy a gyújtógyertyának van-e zavarészirője.
	A gyújtógyertya kilazult.	Húzza meg a gyújtógyertyát.

### A motor elindul, de leáll

Ellenőrzés	Lehetséges ok	Eljárás
Üzemanyagtartály	Nem megfelelő üzemanyag.	Engedje le az üzemanyagtartályt és töltsön be megfelelő üzemanyagot.
Légszűrő	Eltömődött a levegőszűrő.	Légszűrő tisztítása.

---

## Szállítás, tárolás és ártalmatlanítás

---

### Szállítás és raktározás

- Szállítás vagy tárolás előtt hagyja lehűlni a terméket.
- Hosszú távú tárolás előtt vegye le a gyertyapipát.
- Szállításkor rögzítse a terméket. Győződjön meg arról, hogy nem tud elmozdulni.

- Győződjön meg arról, hogy szállítás és tárolás során nincs esély üzemanyag-szivárgásra, üzemanyaggyőzők szivárgására, szikrák keletkezésére és tüzre.
- Hosszú távú tárolás előtt tisztítsa meg a terméket és végezzen rajta karbantartást.



## Műszaki adatok

### Műszaki adatok

	<b>325L</b> <b>A05328CSHV</b>
<b>Motor</b>	
Hengerűrtartalom, cm <sup>3</sup>	27,6
Üresjárat fordulat/szám, ford/perc	2800–3200
Javasolt maximális fordulatszámot, rpm	8000
Teljesítmény/legnagyobb motorteljesítmény az ISO 8893 szerint, kW/hp @ rpm	0,9/1,2 @ 8000
Katalizátoros hangtompító	Igen
Kimenőtengely fordulatszáma, ford/perc	7200
<b>Gyújtásrendszer</b>	
Gyújtógyertya	Husqvarna HQT-4
Elektródahézag, mm	0,5
<b>Üzemanyagrendszer</b>	
Üzemanyagtartály űrtartalma, l/cm <sup>3</sup>	0,343/343
<b>Termék méretei</b>	
Tömeg (vágószerkezet nélkül), kg	5,0
<b>Zajkibocsátás<sup>37</sup></b>	
Hangteljesítményszint, garantált (L <sub>WA</sub> ), dB(A)	114
Hangteljesítményszint, dB(A)-ben mérve	110
<b>Zajszintek<sup>38</sup></b>	
Hangteljesítményszint a kezelő fülénél, damilfejjel, dB(A)-ben mérve	93
<b>Rezgésszintek<sup>39</sup></b>	
Egyenértékű rezgésszint (ahv, eq) damilfejjel, bal fogantyú, m/s <sup>2</sup>	4,2
Egyenértékű rezgésszint (ahv, eq) damilfejjel, jobb fogantyú, m/s <sup>2</sup>	6,1

<sup>37</sup> A környezetben a 2000/14/EK sz. EK irányelvvel összhangban hangteljesítményként mért zajkibocsátás (L<sub>WA</sub>). A termék jelentésben szereplő hangteljesítményszintjét a legmagasabb szintet produkáló eredeti vágó-felszereléssel mérték. A garantált és a mért hangteljesítmény közötti különbségnek az az oka, hogy a garantált hangteljesítmény tartalmazza a mérési eredményben lévő ingadozást és az azonos modellű termékek közötti eltéréseket is a 2000/14/EK jelű irányelv értelmében.

<sup>38</sup> A termék ekvivalens hangnyomásszintjére vonatkozó jelentési adatok az 1 dB (A) tipikus statisztikus ingadozásával (szórásával) rendelkeznek.

<sup>39</sup> Az ekvivalens rezgésszintre vonatkozó jelentési adatok az 1 m/s<sup>2</sup> tipikus statisztikus ingadozásával (szórásával) rendelkeznek.

---

## Tartozékok

---

### Kiegészítők

Jóváhagyott tartozékok	Típus	A vágófelszerelés védőburkolata
Menetes tengely	M10L	
Damilfej	T35, Ø 2,4 mm	588 54 37-01

---

# EK megfeleléségi nyilatkozat

---

## Az EK-megfeleléségi nyilatkozat tartalma

A Husqvarna AB, SE 561 82 Huskvarna, SVÉDORSZÁG a saját felelősségére kijelenti, hogy a jelzett termék:

<b>Leírás</b>	<b>Benzinmotoros fűszegélynyíró/fűkasza</b>
Márka	Husqvarna
Platform / Típus / Modell	A05328CSHV platform, amely az alábbi típust képviseli: 325L.
Sarzs	2018-es és újabb sorozatszámok.

teljes mértékben megfelelnek a következő EU-irányelveknek és rendeleteknek:

<b>Irányelv/rendelet</b>	<b>Leírás</b>
2006/42/EK	„gépre vonatkozó”
2014/30/EU	„elektromágneses megfeleléségre vonatkozó”
2000/14/EK	„kültéri zajkibocsátásra vonatkozó”
2011/65/EU	„bizonyos veszélyes anyagok alkalmazásának korlátozásával kapcsolatos”

Az alábbi harmonizált szabványok és/vagy műszaki előírások kerültek alkalmazásra: EN ISO 12100, EN ISO 11806-1, CISPR 12, ISO 14982, EN 50581:2012.

A zajértékek a 2000/14/EK irányelv V. mellékletének megfelelően a használati utasításban, a műszaki adatok fejezetben, valamint az aláírt EK-megfeleléségi nyilatkozatban található.

A TÜV Rheinland N.A. önkéntes vizsgálatot végzett a Husqvarna AB számára, és az alábbi megfeleléségi nyilatkozatot bocsátotta ki az Európai Tanács gépekre vonatkozó, 2006/42/EK irányelvére vonatkozóan.

Az aláírt EK-megfeleléségi nyilatkozatban található tanúsítvány a terméken jelzettek szerint minden gyártási helyre és országra érvényes.

A szállított benzinmotoros fűszegélynyíró/fűkasza megfelel a vizsgálaton átesett példának.

---

## Sommario

---

Introduzione.....	172	Anomalie di funzionamento.....	181
Sicurezza.....	173	Trasporto, stoccaggio e smaltimento.....	181
Montaggio.....	177	Dati tecnici.....	182
Funzionamento.....	177	Accessori.....	183
Manutenzione.....	179	Dichiarazione CE di conformità.....	184

---

## Introduzione

---

### Manuale operatore

La lingua iniziale del presente manuale operatore è l'inglese. I manuali operatore in altre lingue sono traduzioni dall'inglese.

### Uso previsto

Il prodotto può essere utilizzato con una testina portafilo per tagliare l'erba. Non utilizzare il prodotto per altre

operazioni diverse dalla bordatura e dallo sfoltimento dell'erba.

**Nota:** I regolamenti nazionali possono imporre restrizioni sull'uso del prodotto.

---

### Panoramica del prodotto

(Fig. 1)

1. Testina portafilo
2. Rifornimento lubrificante
3. Riduttore angolare
4. Protezione del gruppo di taglio
5. Albero
6. Impugnatura ad anello
7. Grilletto acceleratore
8. Interruttore di arresto
9. Blocco del grilletto acceleratore
10. Cappuccio della candela, candela
11. Carter avviamento
12. Impugnatura cavo di avviamento
13. Serbatoio del carburante
14. Coperchio del filtro dell'aria
15. Bulbo del primer
16. Comando della valvola dell'aria
17. Menabrida
18. Istruzioni per l'uso
19. Chiave a stella

(Fig. 3) Prima dell'uso, leggere per intero il manuale dell'operatore e accertarsi di aver compreso le istruzioni.

(Fig. 4) Usare cuffie protettive omologate. Utilizzare protezioni per gli occhi omologate.

(Fig. 5) Il prodotto può causare l'espulsione di oggetti in grado di provocare lesioni.

(Fig. 6) Velocità massima dell'albero in uscita.

(Fig. 7) Tenersi a una distanza minima di 15 m / 50 ft da persone e animali quando il prodotto è in funzione.

(Fig. 8) Usare solo un filo flessibile per il trimmer

(Fig. 9) Non usare mai elementi per il taglio del metallo.

(Fig. 10) Le frecce indicano i limiti consentiti per la posizione dell'impugnatura.

(Fig. 11) Bulbo del primer

(Fig. 12) Comando dell'aria

(Fig. 13) Rifornimento carburante.

(Fig. 14) Le emissioni di rumore nell'ambiente fanno riferimento alla direttiva della Comunità Europea. Le emissioni del prodotto sono specificate nel capitolo Dati tecnici e sull'etichetta.

(Fig. 15) Il prodotto è conforme alle direttive CE vigenti.

### Simboli riportati sul prodotto

(Fig. 2) **AVVERTENZA!** Questo prodotto è pericoloso. Possono verificarsi lesioni anche mortali all'operatore o ai passanti se il prodotto non viene usato con cautela e in modo corretto. Al fine di evitare lesioni all'operatore o ai passanti, leggere e seguire attentamente le istruzioni di sicurezza nel manuale operatore.

(Fig. 16) Il prodotto è conforme alle direttive EAC vigenti.

Il marchio di fabbrica riporta il numero di serie. **aaaa** è l'anno di produzione, **ss** è la settimana di produzione e **xxxx** è il numero sequenziale.

**aaaassxxxx**

**Nota:** I restanti simboli/decalcomanie sul prodotto riguardano particolari requisiti necessari per ottenere la certificazione in altre aree commerciali.

## Responsabilità del prodotto

Come indicato nelle leggi vigenti in materia di responsabilità obbligatoria sul prodotto, non siamo responsabili per eventuali danni causati dal nostro prodotto se:

- Il prodotto viene riparato in modo errato.
- Il prodotto viene riparato con parti che non provengono o non sono omologate dal produttore.
- Il prodotto contiene un accessorio che non proviene o non è omologato dal produttore.
- Il prodotto non viene riparato presso un centro di assistenza autorizzato o presso un'autorità competente.

## UE V



**AVVERTENZA:** La manomissione del motore rende nulla l'omologazione UE del prodotto.

## Sicurezza

### Definizioni di sicurezza

Le avvertenze, le precauzioni e le note sono utilizzate per evidenziare le parti importanti del manuale.



**AVVERTENZA:** Utilizzato se è presente un rischio di lesioni o morte dell'operatore o di passanti nel caso in cui le istruzioni del manuale non vengano rispettate.



**ATTENZIONE:** Utilizzato se è presente un rischio di danni al prodotto, ad altri materiali oppure alla zona adiacente nel caso in cui le istruzioni del manuale non vengano rispettate.

**Nota:** Utilizzato per fornire ulteriori informazioni necessarie in una determinata situazione.

### Sicurezza delle vibrazioni

Questo prodotto può essere utilizzato solo occasionalmente. L'utilizzo continuo o regolare del prodotto può causare la "sindrome del dito bianco" o problemi medici equivalenti causati dalle vibrazioni. In caso di utilizzo continuo o regolare del prodotto, esaminare la condizione delle mani e delle dita. Se le mani o le dita appaiono bianche, doloranti, formicolanti o intorpidite, interrompere il lavoro e rivolgersi immediatamente a un medico.

### Istruzioni di sicurezza generali



**AVVERTENZA:** Leggere le seguenti avvertenze prima di utilizzare il prodotto.

- Utilizzare il prodotto in modo corretto. Un uso improprio può causare lesioni o la morte. Utilizzare il prodotto solo per le attività riportate nel presente manuale. Non utilizzare il prodotto per altre attività.
- Attenersi alle istruzioni contenute nel presente manuale. Rispettare i simboli di sicurezza e le istruzioni di sicurezza. In caso di mancata osservanza delle istruzioni e dei relativi simboli, si potrebbero causare lesioni personali, danni o la morte.
- Non gettare il presente manuale. Utilizzare le istruzioni per assemblare, azionare e mantenere il prodotto in buone condizioni. Utilizzare le istruzioni per installare correttamente attrezzature e accessori. Utilizzare esclusivamente attrezzature e accessori omologati.
- Non utilizzare un prodotto danneggiato. Attenersi al programma di manutenzione. Eseguire solo gli interventi di manutenzione riportati nelle istruzioni di questo manuale. Tutti gli altri interventi di manutenzione devono essere effettuati da un centro di assistenza autorizzato.
- Il presente manuale non include tutte le situazioni che possono verificarsi quando si utilizza il prodotto. Prestare la massima attenzione e usare il buon senso. Non utilizzare il prodotto o eseguire interventi di manutenzione sul prodotto se non si è sicuri. Per ulteriori informazioni parlare con un esperto del prodotto, il vostro rivenditore, l'officina o il centro di assistenza autorizzato.

- Scollegare il cavo della candela prima di assemblare il prodotto, conservarlo in magazzino o eseguire la manutenzione.
- Non utilizzare il prodotto se è stato modificato in qualche modo rispetto alle caratteristiche iniziali. Non sostituire una parte del prodotto senza previa approvazione del produttore. Utilizzare esclusivamente parti approvate dal produttore. Una manutenzione impropria può causare lesioni o la morte.
- Non respirare i fumi provenienti dal motore. L'inhalazione prolungata dei fumi di scarico del motore è dannosa per la salute.
- Non avviare il prodotto in ambienti chiusi o vicino a materiale infiammabile. I fumi di scarico sono molto caldi e possono contenere scintille in grado di provocare incendi. Un flusso d'aria insufficiente può causare lesioni o la morte dovute ad asfissia o al monossido di carbonio.
- Quando si utilizza questo prodotto, il motore genera un campo elettromagnetico. Il campo elettromagnetico può danneggiare gli impianti medici. Rivolgersi al medico e al produttore degli impianti medici prima di utilizzare il prodotto.
- Non consentire ai bambini di utilizzare il prodotto. Non permettere a nessuno che non conosca le istruzioni di utilizzare il prodotto.
- Assistere sempre una persona, con capacità fisica o mentale ridotta, quando utilizza il prodotto. È necessaria sempre la supervisione di un adulto responsabile.
- Conservare il prodotto in un'area a cui bambini o persone non autorizzate non possano accedere.
- Il prodotto può espellere oggetti e causare lesioni. Attenersi alle istruzioni di sicurezza per ridurre il rischio di lesioni o morte.
- Non allontanarsi dal prodotto con il motore in funzione.
- L'operatore del prodotto è responsabile in caso di incidente.
- Verificare che i componenti non siano danneggiati prima di utilizzare il prodotto.
- Tenersi a una distanza di almeno 15 m (50 piedi) da persone o animali prima di utilizzare il prodotto. Verificare che le persone circostanti siano a conoscenza del fatto che il prodotto verrà azionato.
- Fare riferimento alle normative nazionali o locali, in quanto possono impedire o limitare il funzionamento del prodotto in determinate condizioni.
- Non utilizzare il prodotto quando si è stanchi, o sotto effetto di alcool, farmaci o medicinali. Essi possono avere effetti negativi sulla concentrazione, la vista, la capacità di valutazione o di coordinazione.

## Istruzioni di sicurezza per il montaggio



**AVVERTENZA:** Leggere le seguenti avvertenze prima di utilizzare il prodotto.

- Rimuovere il cappuccio dalla candela prima di assemblare il prodotto.
- Utilizzare guanti protettivi omologati.
- Assicurarsi di montare correttamente il coperchio e l'albero prima di avviare il motore.

## Istruzioni di sicurezza per il funzionamento

- Accertarsi che il prodotto sia completamente assemblato prima di utilizzarlo.
  - Prima dell'avviamento, spostare il prodotto di 3 m (10 ft) dal punto in cui è stato riempito il serbatoio del carburante. Posizionare il prodotto su una superficie piana. Assicurarsi che il gruppo di taglio non venga a contatto con il terreno o con altri oggetti.
  - Il prodotto può causare l'espulsione di oggetti, che può risultare pericolosa per gli occhi. Utilizzare sempre una protezione per gli occhi omologata durante l'utilizzo del prodotto.
  - Prestare la massima attenzione, un bambino può avvicinarsi al prodotto senza che ve ne accorgiate durante il funzionamento.
  - Non utilizzare il prodotto in presenza di persone nell'area di lavoro. Arrestare il prodotto nel caso in cui una persona entri nell'area di lavoro.
  - Mantenere sempre il controllo del prodotto.
  - Non utilizzare il prodotto se non è possibile ricevere soccorso in caso di incidente. Assicurarsi sempre che gli altri sappiano che azionerete il prodotto prima di iniziare a utilizzarlo.
  - Non accendere il prodotto se non si è sicuri che la zona di sicurezza sia sgombra da persone o animali.
  - Rimuovere tutti i materiali indesiderati dall'area di lavoro prima di iniziare. Se il gruppo di taglio colpisce un oggetto, questo può saltare fuori causando lesioni o danni. Del materiale indesiderato può avvolgersi attorno al gruppo di taglio e causare dei danni.
  - Non utilizzare il prodotto in condizioni meteorologiche sfavorevoli (nebbia, pioggia, vento forte, fulmini o altre condizioni climatiche). Condizioni meteorologiche sfavorevoli possono causare situazioni di pericolo (come superfici scivolose).
  - Assicurarsi di potersi muovere liberamente e lavorare in una posizione stabile.
- (Fig. 17)
- Assicurarsi di essere stabili e non correre il rischio di cadere durante l'uso del prodotto. Non inclinarsi durante l'uso del prodotto.

- Tenere sempre il prodotto con due mani. Tenere il prodotto sul lato destro del proprio corpo. (Fig. 18)
- Utilizzare il prodotto con il gruppo di taglio al di sotto della vita.
- Se il comando della valvola dell'aria si trova nella posizione di starter all'avviamento del motore, il gruppo di taglio inizia a ruotare.
- Non toccare il riduttore angolare dopo l'arresto del motore. Il riduttore angolare è caldo dopo l'arresto del motore. Superfici calde possono causare lesioni.
- Arrestare il motore prima di spostare il prodotto.
- Non appoggiare a terra il prodotto con il motore acceso.
- Prima di rimuovere materiali indesiderati dal prodotto, arrestare il motore e attendere fino a quando il gruppo di taglio si arresta. Lasciare che il gruppo di taglio si arresti prima di rimuovere il materiale tagliato.

## Abbigliamento protettivo personale



**AVVERTENZA:** Leggere le seguenti avvertenze prima di utilizzare il prodotto.

- Indossare sempre abbigliamento protettivo personale durante l'utilizzo del prodotto. L'abbigliamento protettivo personale non elimina completamente il rischio di lesioni. L'abbigliamento protettivo personale riduce il grado di lesioni in caso di incidente.
- Utilizzare sempre una protezione per gli occhi omologata durante l'utilizzo del prodotto.
- Non utilizzare mai il prodotto a piedi nudi o con calzature aperte. Utilizzare sempre robusti stivali antiscivolo.
- Utilizzare pantaloni lunghi di tessuto pesante.
- Se necessario, utilizzare guanti protettivi omologati.
- Utilizzare un elmetto in caso di possibile caduta di oggetti in testa.
- Utilizzare sempre protezioni acustiche omologate durante l'uso del prodotto. Un rumore prolungato può provocare la perdita dell'udito.
- Tenere sempre a portata di mano la cassetta di pronto soccorso.

## Dispositivi di sicurezza sul prodotto



**AVVERTENZA:** Leggere le seguenti avvertenze prima di utilizzare il prodotto.

- Non utilizzare un prodotto con dispositivi di sicurezza difettosi.
- Effettuare regolarmente un controllo dei dispositivi di sicurezza. Fare riferimento a *Panoramica del prodotto alla pagina 172*.

- Se i dispositivi di sicurezza sono difettosi, rivolgersi al rivenditore Husqvarna.

## Blocco del grilletto acceleratore

Il fermo blocca il grilletto acceleratore.

(Fig. 19)

Spingere il fermo (A) per rilasciare il grilletto acceleratore (B). Quando si rilascia l'impugnatura, il fermo del grilletto acceleratore e il grilletto acceleratore stesso ritornano nelle posizioni iniziali.

1. Assicurarsi che il grilletto acceleratore (B) sia bloccato sul minimo quando viene rilasciato il relativo fermo (A).
2. Premere il fermo (A) del grilletto acceleratore e accertarsi che ritorni nella posizione iniziale al rilascio.
3. Spingere il grilletto acceleratore (B) e accertarsi che ritorni nella posizione iniziale al rilascio.

Avviare il motore, quindi accelerare al massimo.

Rilasciare il grilletto acceleratore e controllare se il gruppo di taglio si arresta. Se il gruppo di taglio ruota mentre l'acceleratore è al minimo, controllare la vite di regolazione del minimo del carburatore.

## Interruttore di arresto

Avviare il motore. Accertarsi che il motore si spenga quando si porta l'interruttore in posizione di arresto.

(Fig. 20)

## Protezione del gruppo di taglio

La protezione del gruppo di taglio impedisce che un oggetto allentato venga lanciato in direzione dell'operatore.

(Fig. 21)

Esaminare la protezione del gruppo di taglio per verificare l'eventuale presenza di danni e sostituire se danneggiato. Utilizzare solo la protezione omologata per il gruppo di taglio.

## Marmitta

- Non utilizzare un motore con una marmitta danneggiata. Una marmitta danneggiata aumenta il livello acustico e il rischio di incendio. Tenere sempre un estintore a portata di mano.
- Controllare con regolarità che la marmitta sia collegata al prodotto.
- Non toccare il motore o la marmitta quando il motore è acceso. Non toccare il motore o la marmitta per alcuni istanti dopo lo spegnimento del motore. Superfici calde possono causare lesioni.
- Una marmitta calda può causare un incendio. Prestare la massima attenzione se si utilizza il prodotto in prossimità di liquidi infiammabili o fumi.
- Non toccare le parti della marmitta se danneggiata. Le parti possono contenere alcune sostanze chimiche cancerogene.

## Gruppo di taglio

---



**AVVERTENZA:** Leggere le seguenti avvertenze prima di utilizzare il prodotto.

- Eseguire la manutenzione ordinaria. Far esaminare il gruppo di taglio da un centro di assistenza autorizzato per eventuali regolazioni o riparazioni.
  - Le prestazioni del gruppo di taglio aumentano.
  - La durata del gruppo di taglio aumenta.
  - E riduce il rischio di incidenti.
- Utilizzare solo una protezione del gruppo di taglio omologata. Per ulteriori informazioni, vedere *Accessori alla pagina 183*.
- Non utilizzare un gruppo di taglio danneggiato.

## Sicurezza nell'uso del carburante

---



**AVVERTENZA:** Leggere le seguenti avvertenze prima di utilizzare il prodotto.

- Non miscelare il carburante in un ambiente chiuso o in prossimità di una fonte di calore.
- Non avviare il prodotto nel caso in cui vi sia carburante o olio motore su di esso. Rimuovere il carburante/olio indesiderato e lasciare che il prodotto si asciughi. Rimuovere il carburante indesiderato dal prodotto.
- In caso di perdite di carburante sugli indumenti, cambiarsi immediatamente.
- Il carburante non deve arrivare a contatto con il corpo, poiché può causare lesioni. In caso di contatto del carburante con il corpo, rimuoverlo con acqua e sapone.
- Non avviare il motore in caso di contatto dell'olio o del carburante con il prodotto o con il proprio corpo.
- Non avviare il prodotto se il motore presenta una perdita. Esaminare regolarmente il motore per verificare la presenza di eventuali perdite.
- Prestare la massima attenzione con il carburante. Il carburante è infiammabile e i fumi sono esplosivi quindi possono causare lesioni o morte.
- Non respirare i fumi del carburante perché possono causare lesioni. Accertarsi che ci sia un flusso d'aria sufficiente.
- Non fumare in prossimità del carburante o del motore.
- Non posizionare oggetti caldi in prossimità del carburante o del motore.
- Non aggiungere carburante a motore acceso.
- Assicurarsi che il motore sia freddo prima di effettuare il rifornimento.
- Prima di effettuare il rifornimento, aprire lentamente il tappo del serbatoio del carburante e rilasciare la pressione con cautela.

- Non aggiungere carburante al motore in un ambiente chiuso. Un flusso d'aria insufficiente può causare lesioni o la morte dovute ad asfissia o al monossido di carbonio.
- Serrare il tappo del serbatoio del carburante con cautela, altrimenti potrebbe verificarsi un incendio.
- Prima dell'avviamento, spostare il prodotto di almeno 3 m (10 ft) dal punto in cui è stato riempito il serbatoio del carburante.
- Non rabboccare il serbatoio con una quantità eccessiva di carburante.
- Assicurarsi che non si verifichino perdite quando si sposta il prodotto o la tanica carburante.
- Non posizionare il prodotto o una tanica carburante in ambienti in cui siano presenti fiamme libere, scintille o fiamme pilota. Assicurarsi che l'area di rimessaggio non contenga fiamme libere.
- Utilizzare solo contenitori omologati per spostare il carburante o riportarlo in magazzino.
- Svuotare il serbatoio del carburante prima di lunghi periodi di stoccaggio. Attenersi alle leggi locali sullo smaltimento del carburante.
- Pulire il prodotto prima di un lungo periodo di stoccaggio.
- Rimuovere il cavo della candela prima di conservare il prodotto in magazzino per assicurarsi che il motore non si avvii accidentalmente.

## Istruzioni di sicurezza per la manutenzione

---



**AVVERTENZA:** Leggere le seguenti avvertenze prima di eseguire la manutenzione del prodotto.

- Eseguire solo gli interventi di manutenzione e assistenza descritti in questo manuale dell'operatore. Lasciare che il personale professionale addetto all'assistenza esegua tutti gli altri interventi di manutenzione e riparazione.
- Eseguire regolarmente i controlli di sicurezza e attenersi alle istruzioni di manutenzione e riparazione riportate nel presente manuale. La manutenzione ordinaria aumenta la durata del prodotto e riduce il rischio di incidenti. Per le istruzioni, fare riferimento a *Programma di manutenzione alla pagina 179*.
- Se i controlli di sicurezza in questo manuale dell'operatore non sono approvati dopo aver eseguito la manutenzione, rivolgersi al proprio rivenditore addetto all'assistenza. La nostra azienda garantisce la disponibilità di personale qualificato per le riparazioni e l'assistenza del prodotto.



---

# Montaggio

---

## Introduzione



**AVVERTENZA:** Prima di assemblare il prodotto, leggere e comprendere il capitolo sulla sicurezza.



**AVVERTENZA:** Rimuovere il cavo della candela dalla candela prima di assemblare il prodotto.

## Montaggio dell'impugnatura ad anello

1. Installare l'impugnatura ad anello tra le frecce sull'albero.
2. Serrare il bullone per fissare l'impugnatura ad anello all'albero. (Fig. 22)

## Per montare il gruppo di taglio

### Montaggio della protezione del gruppo di taglio

1. Posizionare la protezione del gruppo di taglio (A) sull'albero. (Fig. 23)

2. Posizionare la staffa (B) nella fessura della protezione del gruppo di taglio.
3. Fissare il bullone (C) alla protezione del gruppo di taglio attraverso il foro nella staffa.

### Montaggio della testina portafilo

1. Accertarsi che la protezione del gruppo di taglio (A) sia collegata al prodotto. Vedere *Montaggio della protezione del gruppo di taglio alla pagina 177*. (Fig. 24)
2. Assicurarsi che il menabrida (C) sia collegato all'albero in uscita (D).
3. Introdurre nel foro la chiave a stella (B) per bloccare l'albero.
4. Collocare la testina portafilo (B) sull'albero in uscita.
5. Ruotare la testina portafilo in senso antiorario per serrarla all'albero in uscita. (Fig. 25)
6. Rimuovere la chiave a stella.

---

# Funzionamento

---

## Introduzione



**AVVERTENZA:** Prima di utilizzare il prodotto, è necessario leggere e comprendere il capitolo relativo alla sicurezza.

## Carburante

Questo prodotto è dotato di un motore a due tempi.



**ATTENZIONE:** Un carburante di tipo errato può causare danni al motore. Utilizzare una miscela di benzina e olio per motori a due tempi.

### Carburante premiscelato

- Utilizzare carburante alchilato premiscelato Husqvarna di buona qualità, per garantire le migliori prestazioni e l'aumento della durata del motore. Questo carburante contiene sostanze chimiche meno pericolose rispetto al normale carburante, che riduce le emissioni di scarico pericolose. Con questo carburante, che mantiene i componenti del motore più puliti, la quantità di residui dopo la combustione è inferiore.

## Per miscelare il carburante

### Benzina



**ATTENZIONE:** Non utilizzare mai benzina con un numero di ottani inferiore a 90 RON (87 AKI). Ciò può causare danni al prodotto.



**ATTENZIONE:** Non utilizzare benzina con una concentrazione di etanolo superiore al 10% (E10). Ciò può causare danni al prodotto.

- Utilizzare sempre benzina senza piombo nuova con un numero di ottani minimo di 90 RON (87 AKI) e con una concentrazione di etanolo inferiore al 10% (E10).
- Utilizzare benzina con numero di ottani superiore se si utilizza frequentemente il prodotto a un regime alto continuo.

### Olio per motori a due tempi

- Per risultati e prestazioni ottimali, utilizzare l'olio per motori a due tempi Husqvarna.
- Se l'olio per motori a due tempi Husqvarna non è disponibile, utilizzare un olio per motori a due tempi

raffreddati ad aria di buona qualità. Rivolgetevi al vostro rivenditore addetto all'assistenza per selezionare il tipo di olio.



**ATTENZIONE:** Non usare mai olio per motori fuoribordo a due tempi raffreddati ad acqua. Non utilizzare olio per motori a quattro tempi.

#### Per miscelare benzina e olio per motori a due tempi

Benzina, litri	Olio a due tempi, litri
	<b>2% (50:1)</b>
5	0,10
10	0,20
15	0,30
20	0,40



**ATTENZIONE:** Piccoli errori possono influenzare drasticamente il rapporto della miscela quando si miscelano piccole quantità di carburante. Misurare con precisione la quantità d'olio e accertarsi di ottenere la giusta miscela.

(Fig. 26)

1. Riempire metà della quantità di benzina in un contenitore pulito per carburante.
2. Aggiungere la quantità totale di olio.
3. Mescolare la miscela.
4. Aggiungere la quantità residua di benzina nel contenitore.
5. Mescolare agitando con cura la miscela di carburante.



**ATTENZIONE:** Non mescolare il carburante più di 1 volta al mese.

#### Per aggiungere carburante

- Utilizzare sempre una tanica carburante con valvola antigoccia.
- Nel caso in cui sulla tanica sia presente del carburante, rimuoverlo e far asciugare la tanica.
- Assicurarsi che l'area circostante il tappo del serbatoio del carburante sia pulita.
- Agitare la tanica carburante prima di aggiungere la miscela nel serbatoio del carburante.

#### Per fare un rodaggio

- Durante le prime 10 ore di funzionamento, non accelerare al massimo senza carico per un periodo prolungato.

#### Per avviare e arrestare il motore

##### Esamine prima dell'avviamento

1. Assicurarsi che il prodotto non presenti parti mancanti, danneggiate, allentate o usurate.
2. Assicurarsi che i dadi, le viti e i bulloni siano ben serrati
3. Assicurarsi che la testina portafilo non sia danneggiata.
4. Assicurarsi che il filtro dell'aria non sia ostruito.
5. Assicurarsi che i dispositivi di sicurezza del prodotto non siano difettosi.
6. Assicurarsi che il prodotto non presenti perdite di carburante.

##### Avviamento del motore a freddo

1. Premere per 10 volte il bulbo del primer. (Fig. 27)
2. Tirare il comando della valvola dell'aria verso l'alto. (Fig. 28)
3. Mantenere il corpo del prodotto a terra con la mano sinistra. (Fig. 29) Non salire sul prodotto. Tirare lentamente la maniglia della fune di avviamento finché non si avverte una resistenza. Quindi, tirare la maniglia della fune di avviamento con forza.

**Nota:** Non tirare il grilletto acceleratore mentre si avvia il motore.

4. Continuare a tirare la maniglia della fune di avviamento fino a quando il motore si avvia o tenta di avviarsi (max. 3 volte). Se il motore si avvia o tenta di avviarsi, spingere verso il basso il comando della valvola dell'aria. Continuare a tirare fino a quando il motore non si avvia. Attendere circa 60 secondi dopo l'avvio prima di tirare il grilletto acceleratore.



**ATTENZIONE:** Non tirare la fune di avviamento fino a quando non si arresta. Non lasciare andare la fune di avviamento quando è completamente estesa. Rilasciare la fune di avviamento lentamente. La mancata osservanza di tali istruzioni può danneggiare il motore.

##### Avviamento di un motore caldo

1. Premere per 10 volte il bulbo del primer.
2. Tirare la fune di avviamento finché il motore non si avvia.

## Avviamento del motore quando il carburante è troppo caldo

Se il prodotto non si avvia, il carburante potrebbe essere troppo caldo.

**Nota:** Utilizzare sempre carburante nuovo e ridurre il tempo di funzionamento in presenza di clima caldo.

1. Collocare il prodotto in un luogo fresco al riparo dalla luce solare diretta.
2. Lasciar raffreddare il prodotto per almeno 20 minuti.
3. Premere più volte il bulbo del primer per 10-15 secondi.
4. Adottare la procedura di avviamento del motore a freddo. Vedere *Avviamento del motore a freddo alla pagina 178*.

## Per l'arresto

- Premere l'interruttore di arresto per arrestare il motore. (Fig. 30)

**Nota:** L'interruttore di arresto torna automaticamente alla posizione iniziale.

## Per azionare il decespugliatore



**ATTENZIONE:** Dopo ogni operazione, far decelerare il motore fino al regime minimo. Un esercizio prolungato a pieno regime senza carico può causare danni al motore.

**Nota:** Pulire il coperchio della testina portafilo quando si collega un nuovo filo per impedire vibrazioni. Esaminare le altre parti della testina portafilo e pulirle secondo necessità.

## Taglio dell'erba

1. Mantenere la testina portafilo a poca distanza dal terreno ed angolarla. Non spingere il filo del trimmer nell'erba. (Fig. 31)
2. Ridurre la lunghezza del filo del trimmer di 10-12 cm / 4-4,75 in.

3. Diminuire il regime del motore per ridurre il rischio di danneggiare le piante.
4. Utilizzare l'80% dell'acceleratore durante il taglio dell'erba in prossimità di oggetti. (Fig. 32)

## Taglio dell'erba

1. Assicurarsi che la lama sia parallela al terreno durante il taglio. (Fig. 33)
2. Non spingere la testina portafilo a terra. Il terreno e il prodotto possono danneggiarsi.
3. Non lasciare che la testina portafilo tocchi continuamente il terreno, in quanto potrebbe danneggiarsi.
4. Utilizzare il pieno acceleratore durante lo spostamento del prodotto da un lato all'altro per tagliare l'erba. Assicurarsi che il filo del decespugliatore sia parallelo al terreno. (Fig. 34)

## Testina portafilo del decespugliatore

- Avvolgere il filo del decespugliatore in modo che non sia lento e che sia distribuito equamente attorno al tamburo per ridurre le vibrazioni.
- Utilizzare solo le testine portafilo e i fili del decespugliatore omologati. Vedere *Accessori alla pagina 183*.
- Utilizzare il filo del decespugliatore alla lunghezza giusta. Un filo del decespugliatore lungo utilizza maggiore potenza rispetto a uno corto.
- Verificare che il tagliente sulla protezione del gruppo di taglio non sia danneggiato.
- Immergere il filo del decespugliatore in acqua per 2 giorni prima di attaccarlo al prodotto. Così facendo si aumenta la durata del filo del decespugliatore.

## Sostituzione del filo del trimmer

- (Fig. 35)  
(Fig. 36)  
(Fig. 37)  
(Fig. 38)  
(Fig. 39)  
(Fig. 40)  
(Fig. 41)  
(Fig. 42)

# Manutenzione

## Introduzione



**AVVERTENZA:** Prima di svolgere la manutenzione, leggere e comprendere il capitolo relativo alla sicurezza.

Per tutti gli interventi di assistenza e riparazione sul prodotto, è necessaria una formazione specifica. La nostra azienda garantisce la disponibilità di personale qualificato per le riparazioni e l'assistenza. Se non avete acquistato il prodotto presso un rivenditore dotato di

officina, informatevi sull'ubicazione della più vicina officina autorizzata.

## Programma di manutenzione

### Manutenzione settimanale

- Pulire le superfici esterne.
- Controllare che il gruppo di taglio non si muova al regime minimo. Vedere *Per regolare il regime minimo alla pagina 180*.

- Esaminare il livello di grasso nel riduttore angolare. Vedere *Per aggiungere il grasso al riduttore angolare alla pagina 181*.

### Manutenzione mensile

- Assicurarsi che l'impugnatura di avviamento e la corda non siano danneggiate.

### Manutenzione annuale

- Esaminare la candela. Vedere *Per esaminare la candela alla pagina 180*
- Pulire le superfici esterne del carburatore e le relative aree adiacenti.
- Pulire l'impianto di raffreddamento.
- Esaminare lo schermo parascintille. Vedere *Per gli interventi di manutenzione dello schermo parascintille alla pagina 180*.
- Esaminare il filtro del carburante.
- Assicurarsi che il tubo pescante non sia danneggiato.
- Accertarsi che i cavi e i collegamenti sul prodotto non siano danneggiati.

## Per regolare il regime minimo

- Assicurarsi che il filtro dell'aria sia pulito e che il coperchio del filtro dell'aria sia fissato prima di regolare il regime minimo.
  - Regolare il regime del minimo servendosi della vite di regolazione T, indicata con il contrassegno "T".
  - Il regime del minimo è corretto quando il motore funziona uniformemente in tutte le posizioni. Deve esserci un buon margine fino al regime in cui il gruppo di taglio comincia a ruotare.
1. Ruotare la vite di regolazione del minimo in senso orario fino a quando il gruppo di taglio comincia a ruotare. (Fig. 43)
  2. Ruotare la vite di regolazione del minimo in senso antiorario fino a quando il gruppo di taglio si arresta.

## Per gli interventi di manutenzione dello schermo parascintille

Utilizzare una spazzola metallica per pulire lo schermo parascintille. (Fig. 44)

## Per pulire il sistema di raffreddamento

Pulire i componenti del sistema di raffreddamento con una spazzola.

(Fig. 45)

## Per esaminare la candela



**ATTENZIONE:** Utilizzare la candela raccomandata. Accertarsi che il ricambio corrisponda al pezzo fornito dal produttore.

Una candela errata può danneggiare il prodotto.

1. Esaminare la candela quando:
  - a) Il motore funziona a bassa potenza.
  - b) Il motore non si avvia facilmente.
  - c) Il motore non funziona correttamente a regime minimo.
2. Se il motore non si avvia o non funziona facilmente, esaminare la candela per verificare l'eventuale presenza di materiali indesiderati. Per ridurre il rischio di materiale superfluo sugli elettrodi delle candele:
  - a) Accertarsi che il regime minimo sia regolato correttamente.
  - b) Accertarsi che la miscela sia corretta.
  - c) Accertarsi che il filtro dell'aria sia pulito.
3. Pulire la candela se sporca. Verificare che la distanza tra gli elettrodi sia corretta. (Fig. 46)
4. Sostituire la candela secondo necessità.

## Per eseguire la manutenzione del filtro dell'aria

### Per pulire il filtro dell'aria

1. Rimuovere il filtro dell'aria e il relativo coperchio. (Fig. 47)
2. Pulire il filtro dell'aria con acqua calda e sapone. Accertarsi che il filtro dell'aria sia asciutto prima di montarlo.
3. Sostituire il filtro dell'aria se è troppo sporco per poterlo pulire completamente. Sostituire sempre un filtro dell'aria danneggiato.
4. Se il prodotto dispone di un filtro dell'aria a schiuma, applicare dell'olio adeguato. Applicare olio solo a un filtro a schiuma. Non applicare olio a un filtro in feltro.

### Per applicare olio al filtro dell'aria



**ATTENZIONE:** Utilizzare sempre olio speciale sui filtri dell'aria a schiuma. Non utilizzare altri tipi di olio.



**AVVERTENZA:** Evitare che l'olio vada a contatto con il proprio corpo.

1. Rimuovere il filtro dell'aria e il relativo coperchio. (Fig. 48)
2. Riporre il filtro dell'aria in un sacchetto di plastica.
3. Versare l'olio per il filtro dell'aria nel sacchetto di plastica. (Fig. 49)

4. Esercitare una pressione sul sacchetto di plastica per assicurarsi che l'olio venga distribuito in modo uniforme sul filtro dell'aria.
5. Esercitare una pressione sul filtro dell'aria, contenuto nel sacchetto di plastica, per rimuovere l'olio che non è necessario. Rimuovere il filtro dell'aria dal sacchetto.
6. Montare il filtro dell'aria.

## Per aggiungere il grasso al riduttore angolare

Assicurarsi che il riduttore angolare sia pieno per 3/4 di grasso specifico.

(Fig. 50)

---

## Anomalie di funzionamento

---

### Il motore non si avvia

Controllo	Possibile causa	Procedimento
Interruttore di arresto.	Verificare che l'interruttore di arresto sia in posizione di arresto.	spostare l'interruttore di arresto in posizione di avviamento.
Ganci del motorino di avviamento.	I ganci del motorino di avviamento non possono muoversi liberamente.	Rimuovere il coperchio del motorino di avviamento e pulire la zona circostante i ganci. Chiedere aiuto a un'officina autorizzata.
Serbatoio carburante.	Tipo di carburante non adatto.	Svuotare il serbatoio del carburante e sostituire con carburante corretto.
Candela.	La candela è sporca o umida.	Accertarsi che la candela sia asciutta e pulita.
	La distanza tra gli elettrodi della candela è errata.	Pulire la candela. Assicurarsi che la distanza tra gli elettrodi sia corretta. Accertarsi che la candela sia munita di un dispositivo di soppressione.
	La candela è allentata.	Fare riferimento ai Dati tecnici per informazioni sulla corretta distanza tra gli elettrodi. Serrare la candela.

### Il motore si avvia ma si arresta nuovamente

Controllo	Possibile causa	Procedimento
Serbatoio del carburante	Tipo di carburante non adatto.	Svuotare il serbatoio del carburante e sostituire con carburante corretto.
Filtro dell'aria	Il filtro dell'aria è ostruito.	Pulire il filtro dell'aria.

---

## Trasporto, stoccaggio e smaltimento

---

### Trasporto e rimessaggio

- Lasciar raffreddare il prodotto prima del trasporto o dello stoccaggio.

- Rimuovere il cappuccio della candela prima di lunghi periodi di stoccaggio.
- Fissare il prodotto durante il trasporto. Assicurarsi che non si possa spostare.

- Accertarsi che non vi sia rischio di perdite di carburante, fumi di carburante, fiamme libere o scintille durante il trasporto e lo stoccaggio.

- Pulire ed effettuare la manutenzione del prodotto prima di lunghi periodi di stoccaggio.

## Dati tecnici

### Dati tecnici

	<b>325L</b>
	<b>A05328CSHV</b>
<b>Motore</b>	
Cilindrata, cm <sup>3</sup>	27.6
Regime minimo, giri/min	2800 - 3200
Regime di massima raccomandato, giri/min	8000
Potenza / potenza max. motore a norma ISO 8893, kW/hp giri/min.	0,9/1,2 @ 8000
Marmitta con convertitore catalitico	Sì
Regime albero in uscita, giri/min	7200
<b>Impianto di accensione</b>	
Candela	Husqvarna HQT-4
Distanza tra gli elettrodi, mm	0,5
<b>Sistema di alimentazione</b>	
Capacità del serbatoio del carburante, l/cm <sup>3</sup>	0,343 /343
<b>Dimensioni del prodotto</b>	
Peso (senza attrezzatura di taglio), kg	5.0
<b>Emissioni di rumore<sup>40</sup></b>	
Livello di potenza acustica, garantito (L <sub>WA</sub> ), dB(A)	114
Livello potenza acustica, misurato dB(A)	110
<b>Livelli di rumorosità<sup>41</sup></b>	
Livello di potenza acustica all'orecchio dell'operatore, testina portafilo in dotazione, dB(A)	93
<b>Livelli di vibrazioni<sup>42</sup></b>	

<sup>40</sup> Emissioni di rumore nell'ambiente misurate come potenza sonora (L<sub>WA</sub>) in base alla direttiva CE 2000/14/CE. Il livello di potenza acustica riportato per il prodotto è stato misurato con il gruppo di taglio originale che emette il livello massimo. La differenza tra potenza acustica misurata e garantita è che la potenza acustica garantita comprende anche la dispersione nel risultato di misurazione e le variazioni tra diversi prodotti dello stesso modello come da Direttiva 2000/14/CE.

<sup>41</sup> I dati riportati per il livello di pressione acustica equivalente del macchinario hanno una dispersione statistica tipica (deviazione standard) di 1 dB (A).

<sup>42</sup> I dati riportati per il livello di vibrazioni equivalente hanno una dispersione statistica tipica (deviazione standard) di 1 m/s<sup>2</sup>.

	<b>325L</b> <b>A05328CSHV</b>
Livello di vibrazioni equivalente (ahv, eq), testina portafilo in dotazione, impugnatura sinistra, m/s <sup>2</sup>	4.2
Livello di vibrazioni equivalente (ahv, eq), testina portafilo in dotazione, impugnatura destra, m/s <sup>2</sup>	6.1

---

## Accessori

---

### Accessori

Accessori omologati	Tipo	Protezione del gruppo di taglio
Albero filettato	M10L	
Testina portafilo	T35, Ø 2,4 mm	588 54 37-01

---

## Dichiarazione CE di conformità

---

### Contenuto della dichiarazione di conformità CE

Husqvarna AB, SE 561 82 Huskvarna, SVEZIA, dichiara sotto la propria esclusiva responsabilità che il prodotto indicato:

<b>Descrizione</b>	<b>Decespugliatore a benzina</b>
Marchio	Husqvarna
Piattaforma / Tipo / Modello	Piattaforma A05328CSHV, rappresentante il modello 325L.
Lotto	Numero di serie a partire dal 2018.

è pienamente conforme alle seguenti norme e direttive UE:

<b>Direttiva/norma</b>	<b>Descrizione</b>
2006/42/CE	"relativa alle macchine"
2014/30/UE	"sulla compatibilità elettromagnetica"
2000/14/CE	"relativa al rumore nell'ambiente esterno"
2011/65/UE	"restrizione dell'uso di determinate sostanze pericolose"

Le norme armonizzate e/o specifiche tecniche applicate sono le seguenti: EN ISO 12100, EN ISO 11806-1, CISPR 12, ISO 14982, EN 50581:2012 .

In conformità alla direttiva 2000/14/CE, Allegato V, i valori per i livelli sonori dichiarati sono riportati nella sezione Dati tecnici del presente manuale e nel documento firmato Dichiarazione di conformità CE.

TÜV Rheinland N.A. ha eseguito l'omologazione volontaria per conto di Husqvarna AB, emettendo il Certificato di conformità relativo alla direttiva del Consiglio 2006/42/CE sulle macchine.

Il certificato, come riportato sulla Dichiarazione di conformità CE firmata, si applica a tutti i siti produttivi e paesi d'origine, così come riportati sul prodotto.

Il decespugliatore a benzina in dotazione è conforme agli esemplari sottoposti a omologazione.



---

# TURINYS

---

Ivadas.....	185	Gedimai ir jų šalinimas.....	193
Sauga.....	186	Transportavimas, saugojimas ir utilizavimas.....	194
Surinkimas.....	189	Techniniai duomenys.....	194
Naudojimas.....	190	Priedai.....	195
Priežiūra.....	192	EB atitikties deklaracija.....	196

---

## Ivadas

---

### Naudojimo instrukcija

Pirminė šios naudojimo instrukcijos kalba yra anglų. Naudojimo instrukcijos kitomis kalbomis yra verstos iš anglų kalbos.

### Naudojimas

Gaminys naudojamas su žoliapjovės galvute žolei pjauti. Nenaudokite gaminio kitiems darbams, išskyrus žolės pjovimą ir žolės valymą.

### Gaminio apžvalga

(Pav. 1)

1. Žoliapjovės galvutė
2. Tepalo filtro dangtelis
3. Kampinė pavara
4. Pjovimo įtaiso apsauga
5. Velenas
6. Kilpinė rankena
7. Akceleratoriaus gaidukas
8. Stabdymo jungiklis
9. Akceleratoriaus gaiduko fiksatorius
10. Uždegimo žvakės antgalis, uždegimo žvakė
11. Starterio korpusas
12. Starterio virvės rankena
13. Kuro bakelis
14. Oro filtro dangtelis
15. Oro šalinimo siurbliukas
16. Oro sklendė
17. Varantysis diskas
18. Naudojimo instrukcija
19. Paleidimo klavišas

### Simboliai ant gaminio

- (Pav. 2) **ĮSPĖJIMAS!** Šis įrenginys pavojingas. Nerūpestingai arba netinkamai naudojant įrenginį gali būti sužeistas ar netgi žūti operatorius arba pašaliniai asmenys. Kad nebūtų sužeistas operatorius arba pašaliniai asmenys, perskaitykite ir laikykitės visų

**Pasižymėkite:** Nacionaliniai įstatymai gali nustatyti apribojimus šio produkto naudojimui.

---

- naudotojo instrukcijoje pateiktų saugumo nurodymų.
- (Pav. 3) Prieš naudodami, atidžiai perskaitykite naudotojo instrukciją ir įsitinkinkite, kad viską gerai supratote.
- (Pav. 4) Naudokite patvirtintas apsaugines ausines. Naudokite patvirtintas akių apsaugos priemones.
- (Pav. 5) Iš įrenginio gali išskrieti pašaliniai objektai, kurie gali sužeisti.
- (Pav. 6) Didžiausias galios atidavimo veleno greitis.
- (Pav. 7) Naudodami įrenginį laikykitės ne mažesniu kaip 15 m / 50 pėd. atstumu nuo žmonių ir gyvūnų.
- (Pav. 8) Naudokite tink lankstų žoliapjovės lynelį
- (Pav. 9) Nenaudokite metalinių pjovimo elementų
- (Pav. 10) Rodyklės vaizduoja rankenos padėties ribas.
- (Pav. 11) Oro šalinimo siurbliukas.
- (Pav. 12) Oro sklendė.
- (Pav. 13) Degalų papildymas.
- (Pav. 14) Į aplinką skleidžiamas triukšmas atitinka Europos Bendrijos direktyvos reikalavimus. Gaminio skleidžiamas triukšmas nurodytas skyriuje „Techniniai duomenys“ ir ant etiketės.

(Pav. 15) Šis gaminys atitinka taikomas EB direktyvas.

(Pav. 16) Šis gaminys atitinka taikomas EAC direktyvas.

Duomenų plokštelė su serijos numeriu.

yyyy – pagaminimo metai, ww – pagaminimo savaitė, xxxx – eilės numeris.

yyyywwxxxx

**Pasižymėkite:** Kiti ant gaminio pateikti simboliai (lipdukai) nurodo kitų komercinių teritorijų sertifikavimo reikalavimus.

## Gaminio patikimumas

Kaip nurodyta atsakomybės už gaminį įstatymuose, mes nesame atsakingi už mūsų gaminio sukeltą žalą, jei:

- gaminys netinkamai suremontuotas.
- gaminys suremontuotas naudojant kito gamintojo arba gamintojo nepatvirtintas dalis.
- gaminys turi kito gamintojo arba gamintojo nepatvirtintą priedą.
- gaminys suremontuotas ne patvirtintame techninės priežiūros centre arba jį suremontavo ne patvirtintas atstovas.

## EU V



**PERSPĖJIMAS:** Variklio modifikavimas panaikina šio produkto ES tipo patvirtinimą.

## Sauga

### Saugos ženklų reikšmės

Įspėjimai, perspėjimai ir pastabos yra skirtos atkreipti dėmesį į ypač svarbias instrukcijos dalis.



**PERSPĖJIMAS:** Naudojamas, kai naudotojui ar šalia esantiems asmenims kyla mirtino arba sunkaus sužeidimo pavojus arba, jei nesilaikoma naudotojo instrukcijoje pateiktų nurodymų.



**PASTABA:** Naudojamas, kai kyla pavojus sugadinti gaminį, kitas medžiagas arba padaryti žalą aplinkai, jei nesilaikoma naudotojo instrukcijoje pateiktų nurodymų.

**Pasižymėkite:** Naudojama pateikti daugiau, nei būtina esamoje situacijoje, informacijos.

### Vibracijos sauga

Šis gaminys skirtas naudoti tik kartais. Nepertraukiamai arba reguliariai naudojantis gaminiu, dėl vibracijos gali atsirasti baltų pirštų sindromas arba panašios medicininės problemos. Jei gaminį naudojate nepertraukiamai arba reguliariai, įvertinkite savo rankų ir pirštų būklę. Jei rankų ar pirštų spalva pakitusi, jaučiate skausmą, dilgčiojimą ar nutirpimą, nustokite dirbti ir nedelsdami kreipkitės į gydytoją.

### Bendrieji saugos nurodymai



**PERSPĖJIMAS:** Prieš naudodami gaminį, perskaitykite toliau esančius įspėjimus.

- Naudokite gaminį tinkamai. Netinkamai naudojant galima rimtai arba mirtinai susižeisti. Produktą naudokite tik šiose instrukcijose nurodytiems darbams. Nenaudokite gaminio kitiems darbams.
- Paisykite šiose instrukcijose pateiktų nurodymų. Paisykite saugos simbolių ir saugos nurodymų. Naudotojui nepaisant instrukcijų ir simbolių, galima sugadinti įrangą arba susižeisti ar mirtinai susižeisti.
- Neišmeskite šių instrukcijų. Vadovaukitės šiomis instrukcijomis surinkdami ir naudodami šį gaminį bei atlikdami jo techninę priežiūrą. Vadovaukitės šiomis instrukcijomis, kad tinkamai prijungtumėte priedus. Naudokite tik patvirtintus priedus.
- Sugadinto gaminio nenaudokite. Paisykite techninės priežiūros grafiko. Atlikite tik šiose instrukcijose aprašytus priežiūros darbus. Visus kitus techninės priežiūros darbus turi atlikti patvirtintas techninės priežiūros centras.
- Šiose instrukcijose negali būti numatytos visos situacijos, su kuriomis galite susidurti naudodami gaminį. Būkite atsargūs ir apdairūs. Gaminio nenaudokite ir nevykdykite jo priežiūros darbų, jei nesate tikri dėl jo būklės. Jei reikia informacijos, kreipkitės į gaminio ekspertą, pardavimo atstovą, techninės priežiūros atstovą arba patvirtintą techninės priežiūros centrą.
- Prieš surinkdami gaminį, ruošdami jį saugoti arba atlikdami priežiūros darbus, atjunkite uždegimo žvakės kabelį.
- Nenaudokite gaminio, jei pasikeitė jo pradiniai techniniai duomenys. Nekeiskite gaminio dalių, neturinčių gamintojo patvirtinimo. Naudokite tik gamintojo patvirtintas dalis. Netinkamai prižiūrint gaminį galima susižeisti arba žūti.

- Neįkvėpkite variklio skleidžiamų dujų. Ilgalais kvėpavimas variklio išmetamosiomis dujomis pavojingas gyvybei.
- Neužveskite gaminio patalpoje arba greta degių medžiagų. Išmetamosios dujos yra karštos, jose gali būti kibirkščių, kurios gali sukelti gaisrą. Dėl oro stygiaus galima susižaloti arba žūti uždusęs arba apsinuodijęs anglies monoksidu.
- Naudojant šį gaminį, variklis sukuria elektromagnetinį lauką. Elektromagnetinis laukas gali sugadinti medicininius implantus. Prieš pradėdami naudoti šį gaminį, pasitarkite su savo gydytoju ir medicininio implanto gamintoju.
- Neleiskite gaminio naudoti vaikams. Neleiskite gaminio naudoti su instrukcijomis nesusipažinusiems asmenims.
- Visada prižiūrėkite gaminį naudojančių fizinę arba protinę negalią turintį asmenį. Būtina nuolatinė atsakingo suaugusiojo priežiūra.
- Užraskite gaminį vaikams ir nepatvirtintiems asmenims nepasiekiamoje vietoje.
- Iš gaminio gali išskrieti ir sužaloti pašaliniai objektai. Paisykite saugos nurodymų, kad sumažėtų sužeidimų arba žūties pavojus.
- Nepalikite gaminio be priežiūros, kai užvestas variklis.
- Dėl nelaimingo įvykio yra atsakingas gaminio naudotojas.
- Prieš naudodami gaminį įsitinkinkite, kad jo dalys nepažeistos.
- Prieš naudodami gaminį, įsitinkinkite, kad aplink jus mažesniu nei 15 m (50 pėdų) spinduliu nėra pašalinių žmonių arba gyvūnų. Pasirūpinkite, kad greta esantys asmenys žinotų, jog ketinate naudoti gaminį.
- Atsižvelkite į nacionalinius arba vietos įstatymus. Jie gali drausti arba riboti gaminio naudojimą konkrečiomis sąlygomis.
- Neekspluatuokite gaminio, jeigu esate pavargę, vartojote alkoholio, narkotikų ar vaistų. Tai gali paveikti jūsų regėjimą, budrumą, koordinaciją ir nuovokumą.
- Prieš pradėdami pastumkite gaminį per 3 m (10 pėdas) nuo vietos, kurioje užpildėte kuro bakelį. Padėkite gaminį ant lygaus paviršiaus. Patikrinkite, ar pjovimo įtaisas neliečia žemės ar kokio kito daikto.
- Iš gaminio gali išskrieti pašaliniai objektai, kurie gali pažeisti aki. Dirbdami gaminio visada naudokite akių apsaugos priemones.
- Būkite apdairūs – darbo metu be jūsų žinios prie gaminio gali prisitarti vaikai.
- Jei darbo zonoje yra pašalinių asmenų, gaminio nenaudokite. Į darbo zoną įžengus pašaliniam asmeniui, išjunkite gaminį.
- Pasirūpinkite, kad niekada nepararastumėte gaminio kontrolės.
- Nenaudokite gaminio, jei nelaimės atveju negalėtumėte sulaukti pagalbos. Prieš pradėdami naudoti įrenginį visada pasirūpinkite, kad aplinkiniai žinotų, jog ketinate naudoti įrenginį.
- Nesisukite su gaminiumi prieš tai neįsitikinę, kad saugioje zonoje nėra pašalinių asmenų arba gyvūnų.
- Prieš pradėdami pašalinkite iš darbo zonos visus pašalinius objektus. Pjovimo įtaisui užkliudžius pašalinį objektą, objektas gali išskrieti ir sužaloti arba sugadinti įrangą. Pašalinės medžiagos gali apsiivyti aplink pjovimo įtaisą ir sugadinti gaminį.
- Nenaudokite gaminio prastu oru (per rūką, lietu, esant stipriam vėjui, žaibo tikimybei ar kitoms nepalankioms oro sąlygoms). Dėl prasto vėjo gali susidaryti pavojingos sąlygos (pvz., slidūs paviršiai).
- Įsitinkinkite, kad galite judėti laisvai ir dirbti stabilioje padėtyje.

(Pav. 17)

- Įsitinkinkite, kad naudodami įrenginį nenugriūsite. Naudodami gaminį nepasivirkite.
- Gaminį visada laikykite abiem rankomis. Gaminį laikykite dešinėje kūno pusėje.

(Pav. 18)

- Gaminį naudokite nuleidę pjovimo įtaisą žemiau liemens.
- Jei užvedant variklį oro sklendės rankenėlė yra uždarytos oro sklendės padėtyje, pjovimo įtaisas pradeda sukstis.
- Varikliui išsijungus nelieskite kampinės pavaros. Varikliui išsijungus kampinė pavarą būna įkaitusi. Įkaitę paviršiai gali sužaloti.
- Prieš perkeldami gaminį išjunkite variklį.
- Nepadėkite gaminio, kai užvestas variklis.
- Prieš pašalindami nuo gaminio nepageidaujamas medžiagas išjunkite variklį ir palaukite, kol pjovimo įtaisas sustos. Jei jūs ar pagalbininkas ketina pašalinti nupjautą medžiagą, palaukite, kol pjovimo įtaisas sustos.

## Asmeninės apsauginės priemonės



**PERSPĖJIMAS:** Prieš naudodami gaminį, perskaitykite toliau esančius įspėjimus.

## Surinkimo saugos instrukcijos



**PERSPĖJIMAS:** Prieš naudodami gaminį, perskaitykite toliau esančius įspėjimus.

- Prieš surinkdami gaminį nuo uždegimo žvakės atjunkite laidą.
- Naudokite patvirtintas apsaugines pirštines.
- Prieš užvesdami variklį įsitinkinkite, kad tinkamai surinkote dangtelį ir veleną.

## Naudojimo saugos instrukcijos

- Prieš naudodami gaminį įsitinkinkite, kad produktas visiškai surinktas.

- Dirbdami gaminiu visada naudokite tinkamas asmenines apsaugines priemones. Asmeninės apsauginės priemonės nepašalina sužeidimų pavojaus. Asmeninės apsauginės priemonės sumažina sužalojimų laipsnį nelaimės atveju.
- Dirbdami gaminiu visada naudokite akių apsaugos priemones.
- Nenaudokite gaminio basomis kojomis arba atvira avalyne. Visada avėkite patvarius, neslystančius batus.
- Dėvėkite storas, ilgas kelnes.
- Jei būtina, naudokite patvirtintas apsaugines pirštines.
- Jei yra tikimybė, kad jums ant galvos gali nukristi sunkus objektas, naudokite šalmą.
- Dirbdami gaminiu visada naudokite apsaugines ausines. Ilgalais triukšmas gali pakenkti klausai.
- Šalia visada turėkite pirmosios pagalbos rinkinį.

## Gaminio apsauginės priemonės



**PERSPĖJIMAS:** Prieš naudodami gaminį, perskaitykite toliau esančius įspėjimus.

- Nesinaudokite gaminiu, jei jo apsauginės priemonės yra netvarkingos.
- Reguliariai tikrinkite apsaugines priemones. Žr. *Gaminio apžvalga psl. 185.*
- Jei apsauginės priemonės yra pažeistos, pasitarkite su Husqvarna techninės priežiūros atstovu.

## Akceleratoriaus gaiduko fiksatorius

Akceleratoriaus gaiduko fiksatorius užfiksuoja akceleratoriaus gaiduką. (Pav. 19)

Nuspauskite akceleratoriaus gaiduko fiksatorių (A), kad atleistumėte akceleratoriaus gaiduką (B). Kai atleidžiate rankeną, akceleratoriaus gaiduko fiksatorius ir akceleratoriaus gaidukas sugrįžta į savo pradinę padėtį.

1. Įsitikinkite, kad atleidus akceleratoriaus gaiduko fiksatorių (A), akceleratoriaus gaidukas (B) užfiksuojamas tuščiosios eigos padėtyje.
2. Paspauskite akceleratoriaus gaiduko fiksatorių (A) ir patikrinkite, ar atleidus jis grįžta į savo pradinę padėtį.
3. Paspauskite akceleratoriaus gaiduką (B) ir patikrinkite, ar atleidus jis grįžta į savo pradinę padėtį.

Užveskite variklį ir iki galo nuspauskite akceleratoriaus gaiduką. Atleiskite akceleratoriaus gaiduką ir patikrinkite, ar pjovimo įtaisas sustoja. Jei pjovimo įtaisas sukasi, kai akceleratorius yra tuščiosios eigos padėtyje, patikrinkite karbiuratoriaus tuščiosios eigos reguliavimo varžtą.

## Stabdymo jungiklis

Įjunkite variklį. Įsitikinkite, kad variklis sustoja, kai perjungiate stabdymo jungiklį į išjungimo padėtį.

(Pav. 20)

## Pjovimo įtaiso apsauga

Pjovimo įtaiso apsauga saugo, kad gaminio naudotojo kryptimi neišskrietų palaidi objektai.

(Pav. 21)

Apžiūrėkite, ar pjovimo įtaiso apsauga nepažeista, ir esant reikalui ją pakeiskite. Naudokite tik patvirtintą pjovimo įtaiso apsaugą.

## Duslintuvas

- Nenaudokite variklio su pažeistu duslintuvu. Pažeistas duslintuvas skleidžia daugiau triukšmo ir kelia didesnį gaisro pavojų. Visada šalia turėkite gesintuvą.
- Reguliariai apžiūrėkite, ar duslintuvas pritvirtintas prie gaminio.
- Kai variklis užvestas nelieskite variklio arba duslintuvo. Išjungę variklį kurį laiką nelieskite variklio arba duslintuvo. Įkaitę paviršiai gali sužaloti.
- Karštas duslintuvas gali sukelti gaisrą. Būkite atsargūs naudodami gaminį greta degių skysčių arba dujų.
- Nelieskite pažeisto duslintuvo dalių. Dalyse gali būti kancerogeninių medžiagų.

## Pjovimo įtaisas



**PERSPĖJIMAS:** Prieš naudodami gaminį, perskaitykite toliau esančius įspėjimus.

- Reguliariai prižiūrėkite. Reguliariai perduokite pjovimo įtaisą patvirtintam techninės priežiūros centrui, kuriame jis bus apžiūrėtas ir sureguliuotas arba suremontuotas.
- Pjovimo įtaiso našumas padidėja.
- Pjovimo įtaiso tarnavimo trukmė padidėja.
- Nelaimių pavojus sumažėja.
- Naudokite tik patvirtintą pjovimo įtaiso apsaugą. Jeigu reikia daugiau informacijos žr. *Priedai psl. 195.*
- Sugadinto pjovimo įtaiso nenaudokite.

## Degalų naudojimo sauga



**PERSPĖJIMAS:** Prieš naudodami gaminį, perskaitykite toliau esančius įspėjimus.

- Nemašykite degalų patalpoje arba šalia šilumos šaltinio.
- Neužveskite gaminio, jei ant gaminio yra kuro arba variklio alyvos. Nuvalykite nepageidaujamą kurą / alyvą ir palaukite, kol gaminyje išdžius. Nuvalykite nuo gaminio nepageidaujamą kurą.
- Apsipylę drabužius kuru nedelsiant persirenkite.
- Neapsipilkite kūno kuru, nes jis gali sužaloti. Apsipylę kūną kuru, jį nusiplaukite muilu ir vandeniui.

- Neužveskite variklio, jei apliejote gaminį arba kūną alyva arba kuru.
- Neužveskite gaminio, jei iš variklio sunkiasi skysčiai. Reguliariai tikrinkite, ar iš variklio nesisunkia skysčiai.
- Atsargiai elkitės su kuru. Kuras yra degus, o jo garai – sprogūs, todėl neatsargiai elgiantis galima susižaloti arba žūti.
- Neįkvėpkite kuro garų, nes jie gali sužaloti. Pasirūpinkite tinkamu vėdinimu.
- Nerūkykite greta kuro arba variklio.
- Nedėkite šiltų objektų greta kuro arba variklio.
- Nepilkite kuro, kai variklis užvestas.
- Prieš pildami kurą įsitikinkite, ar variklis ataušęs.
- Prieš pildami kurą lėtai atidarykite kuro bakelio dangtelį ir atsargiai išleiskite slėgį.
- Nepilkite į variklį kuro būdami patalpoje. Dėl oro stygiaus galima susižaloti arba žūti uždusęs arba apsinuodijęs anglies monoksidu.
- Kruopščiai priveržkite kuro bakelio dangtelį, nes antraip gali kilti gaisras.
- Prieš pradėdami darbą patraukite gaminį mažiausiai 3 m (10 pėdų) nuo vietos, kurioje pylėte kurą.
- Nepripilkite į kuro bakelį pernelyg daug kuro.
- Pasirūpinkite, kad perkeltant gaminį arba kuro bakelį iš jo neišsilietų kuras.
- Nestatykite gaminio arba kuro bakelio greta atviros liepsnos, kibirkščių arba degiklio. Įsitikinkite, kad laikymo patalpoje nėra atviros liepsnos.
- Kurą gabenkite ir laikykite tik patvirtintuose bakeliuose.

- Prieš palikdami gaminį saugoti ilgesniam laikui, ištuštinkite kuro bakelį. Kurą utilizuokite atsižvelgdami į vietinius įstatymus.
- Nuvalykite gaminį prieš palikdami jį saugoti ilgesniam laikui.
- Prieš palikdami gaminį saugoti ilgesnį laiką atjunkite uždegimo žvakės kabelį, kad variklis netikėtai neužvestų.

## Priežiūros saugos instrukcijos



**PERSPĖJIMAS:** Prieš atlikdami gaminio techninę priežiūrą, perskaitykite toliau esančius įspėjimus.

- Atlikite tik tokius priežiūros ir techninės priežiūros darbus, kurie pateikti šiame operatoriaus vadove. Visus kitus aptarnavimo ir remonto darbus leiskite atlikti profesionaliam aptarnavimo personalui.
- Reguliariai atlikite šiame vadove nurodytas saugos patikras, techninės priežiūros ir aptarnavimo procedūras. Reguliari priežiūra prailgina produkto tarnavimo laiką ir sumažina nelaimingų atsitikimų pavojų. Instrukcijų ieškokite *Priežiūros grafikas psl. 192*.
- Jei atlikus priežiūrą nėra patvirtinamos šiame operatoriaus vadove nurodytos saugos patikros, kreipkitės į techninio aptarnavimo atstovą. Garantuojame, kad jis suteiks profesionalią priežiūrą ir atliks gaminio techninės priežiūros darbus.

## Surinkimas

### Įvadas



**PERSPĖJIMAS:** Prieš surinkdami įrenginį perskaitykite ir supraskite saugos skyriaus informaciją.



**PERSPĖJIMAS:** Prieš surinkdami gaminį nuo uždegimo žvakės nuimkite dangtelį.

### Kilpinės rankenos tvirtinimas

1. Sumontuokite kilpinę rankeną tarp veleno rodyklių.
2. Priveržkite varžtą, kad pritvirtintumėte kilpinę rankeną prie veleno. (Pav. 22)

### Pjovimo įtaiso surinkimas

#### Pjovimo įtaiso apsaugos surinkimas

1. Uždėkite pjovimo įtaiso apsaugą (A) ant veleno. (Pav. 23)

2. Įstatykite laikiklį (B) į angą ant pjovimo įtaiso apsaugos.
3. Naudodami varžtą (C) prijunkite pro angą prie laikiklio ir pjovimo įtaiso apsaugos.

### Žoliapjovės galvutės montavimas

1. Įsitikinkite, kad pjovimo įtaiso apsauga (A) prijungta prie gaminio. Žr. *Pjovimo įtaiso apsaugos surinkimas psl. 189*. (Pav. 24)
2. Įsitikinkite, kad pavaros diskas (C) prijungtas prie galios atidavimo veleno (D).
3. Į angą įkiškite žvaigždutės formos raktą (B), kad jis gerai pritvirtintų veleną.
4. Ant galios atidavimo veleno uždėkite žoliapjovės galvutę (E).
5. Sukite žoliapjovės galvutę prieš laikrodžio rodyklę, kad priveržtumėte ją prie galios atidavimo veleno. (Pav. 25)
6. Išimkite žvaigždutės formos raktą.

# Naudojimas

## Ivadas



**PERSPĖJIMAS:** Prieš naudodami gaminį perskaitykite ir supraskite saugos skyriaus informaciją.

## Degalai

Irenginys turi dvitaktį variklį.



**PASTABA:** Naudojant netinkamo tipo degalus gali būti sugadintas variklis. Naudokite benzino ir dvitaktčių variklių alyvos mišinį.

## Iš anksto sumaišyti degalai

- Naudokite Husqvarna iš anksto sumaišytus geros kokybės alkilintus degalus, siekdami geriausių rezultatų ir prailginti variklio tarnavimo laiką. Šiuose degaluose palyginti su įprastiniais degalais yra mažiau kenksmingų chemikalų, todėl sumažėja kenksmingų išmetamųjų dujų kiekis. Likučių po degimo kiekis yra mažesnis, naudojant šiuos degalus, todėl variklio komponentai išlieka švaresni.

## Degalų maišymas

### Benzinas



**PASTABA:** Nenaudokite benzino, kurio oktaninis skaičius yra mažesnis nei 90 RON (87 AKI). Antraip galima sugadinti gaminį.



**PASTABA:** Nenaudokite benzino, kurio etanolio koncentracija didesnė kaip 10 % (E10). Antraip galima sugadinti gaminį.

- Visada naudokite šviežią bešvinį benzina, kurio minimalus oktaninis skaičius yra 90 RON (87 AKI), o etanolio koncentracija 10 % (E10).
- Jei gaminį dažnai naudojate esant nuolatinėms didelėms variklio apsakoms, naudokite didesnio oktaninio skaičiaus benzina.

### Alyva dvitaktčiams varikliams

- Siekdami geriausių rezultatų ir našumo, naudokite Husqvarna dvitaktčių variklių alyvą.
- Jei negalite gauti Husqvarna dvitaktčio variklio alyvos, naudokite geros kokybės dvitaktčių variklių alyvą, skirtą oru aušinamiems varikliams Norėdami išsirinkti tinkamą alyvą, kreipkitės į techninio aptarnavimo atstovą.



**PASTABA:** Niekada nenaudokite dvitaktės alyvos, skirtos vandeniui aušinamiems valčių varikliams, dar vadinamos valčių variklių alyva. Nenaudokite alyvos, skirtos keturtaktčiams varikliams.

## Degalų ir dvitaktčių variklių alyvos maišymas

Benzinas, litrais	Dvitaktčio variklio alyva, litrais
	<b>2 % (50:1)</b>
5	0,10
10	0,20
15	0,30
20	0,40



**PASTABA:** Maišant nedidelius degalų kiekius, nedidelė paklaida gali stipriai pakeisti mišinio santykį. Kruopščiai pamatuokite alyvos kieki, kad gautumėte tinkamą mišinį.

(Pav. 26)

1. Pripildykite pusę kiekio degalų švarioje talpykloje degalams.
2. Supilkite visą alyvos kiekį.
3. Suplakite degalų mišinį.
4. Tada supilkite likusią benzino dalį į talpyklą.
5. Kruopščiai suplakite degalų mišinį.



**PASTABA:** Nesumaišykite degalų ilgiam nei 1 mėnesio laikotarpiui.

## Kuro įpylimas

- Naudokite degalų bakelį su apsauga nuo perpilimo.
- Jei bakelyje yra kuro, pašalinkite nepageidaujamą kurą ir palaukite, kol bakelis išdžius.
- Įsitinkinkite, kad plotas aplink kuro bakelio dangtelį yra švarus.
- Prieš pildami kuro mišinį į kuro bakelį papurtykite kuro bakelį.

## Pradinis naudojimas

- Per pirmas 10 naudojimo valandų ilgą laiką nespauskite akceleratoriaus iki galo be apkrovos.

## Užvedimas ir išjungimas

### Patikrinimas prieš paleidimą

1. Įsitikinkite, kad nėra gaminio trūkstančių, pažeistų, atsilaisvintųjų ar susidėvėjusių dalių.
2. Patikrinkite, ar veržlės ir varžtai yra priveržti
3. Įsitikinkite, kad nepažeista žoliapjovės galvutė.
4. Patikrinkite, ar neužsikūšęs oro filtras.
5. Įsitikinkite, kad gaminio saugos įtaisai nepažeisti.
6. Įsitikinkite, kad nėra gaminio degalų nuotėkio.

### Šalto variklio užvedimas

1. 10 kartų paspauskite kuro siurbliuką. (Pav. 27)
2. Pakelkite oro sklendės rankenėlę aukštyn. (Pav. 28)
3. Laikykite gaminio korpusą ant žemės kairiąją ranka. (Pav. 29) Gaminio nepriminkite koja. Lėtai traukite starterio virvę, kol pajusite pasipriešinimą. Tada patraukite starterio virvę visa jėga.

**Pasižymėkite:** Užvesdami variklį nespauskite akceleratoriaus gaiduką.

4. Traukite starterio virvės rankenėlę, kol variklis užsiveda arba bando užsivesti (daugiausia 3 kartus). Varikliui užsivedus arba bandant užsivesti, nespauskite oro sklendės rankenėlę žemyn. Traukite, kol variklis užsives. Užvedę variklį palaukite 60 sekundžių prieš nuspausdami akceleratoriaus gaiduką.



**PASTABA:** Netraukite starterio virvės iki pat galo. Nepaleiskite starterio virvės, kai ji visiškai ištraukta. Lėtai atleiskite starterio virvę. Nepaisydami šių nurodymų galite sugadinti variklį.

### Šilto variklio užvedimas

1. 10 kartų paspauskite kuro siurbliuką.
2. Traukykite starterio virvę, kol variklis užsives.

### Variklio užvedimas, kai kuras per daug karštas

Jei gaminys neužsiveda, gali būti, kad kuras yra per daug karštas.

**Pasižymėkite:** Esant karštam orui, visada naudokite naują kurą, kad darbus atliktumėte greičiau.

1. Padėkite gaminį vėsioje vietoje, atokiai nuo tiesioginių saulės spindulių.
2. Leiskite gaminiumi atvėsti bent 20 minučių.
3. 10–15 sekundžių spaudinėkite oro šalinimo pūslelę.
4. Atlikite šalto variklio užvedimo procedūrą. Žr. *Šalto variklio užvedimas psl. 191*.

## Išjungimas

- Norėdami išjungti variklį, nuspauskite stabdymo mygtuką. (Pav. 30)

**Pasižymėkite:** Stabdymo jungiklis automatiškai grįžta į pradinę padėtį.

## Žoliapjovės naudojimas



**PASTABA:** Po kiekvieno panaudojimo sulėtinkite variklio apsakas iki tuščiosios eigos. Ilgalais variklio darbas didžiausiomis apsakomis be apkrovos gali sugadinti variklį.

**Pasižymėkite:** Vyniodami naują žoliapjovės lynelį nuvalykite žoliapjovės galvutės gaubtą, kad nesusidarytų vibracijos. Apžiūrėkite kitas žoliapjovės galvutės dalis ir esant reikalui jas nuvalykite.

### Žolės trumpinimas

1. Kampu pasukta žoliapjovės galvutė laikykite prie pat žemės. Nespauskite žoliapjovės linelio prie žolės. (Pav. 31)
2. Sutrumpinkite žoliapjovės linelį 10–12 cm / 4–4,75 col.
3. Sumažinkite variklio apsakas, kad sumažintumėte augalams keliamą pavojų.
4. Pjudami žolę greta kitų objektų, naudokite 80 % variklio galios. (Pav. 32)

### Žolės pjovimas

1. Pjudami stenkitės žoliapjovės lynelį laikyti lygiagrečiai žemei. (Pav. 33)
2. Nespauskite žoliapjovės galvutės prie žemės. Taip galite pažeisti ir žemę, ir gaminį.
3. Neleiskite galvutei nuolat liestis prie žemės, nes taip galima pažeisti žoliapjovės galvutę.
4. Pjudami žolę mojudami gaminiumi iš vieno šono į kitą, naudokite didžiausias variklio apsakas. Stenkitės žoliapjovės lynelį laikyti lygiagrečiai žemei. (Pav. 34)

## Žoliapjovės galvutė

- Standžiai ir lygiai apvyniokite žoliapjovės lynelį aplink būgną, kad sumažėtų vibracija.
- Naudokite tik patvirtintas žoliapjovių galvutes ir žoliapjovių lynelius. Žr. *Priedai psl. 195*.
- Naudokite tik tinkamo ilgio žoliapjovių lynelius. Ilgam žoliapjovės lyneliui reikia daugiau variklio galios nei trumpam žoliapjovės lyneliui.
- Patikrinkite, ar nepažeistas pjovimo įtaiso apsaugos peilis.
- Prieš tvirtindami žoliapjovės lynelį prie gaminio, žoliapjovės lynelį 2 dienas pamirkykite vandenyje. Tai padidina žoliapjovės lynelio tarnavimo trukmę.

## Žoliapjovės lynelio keitimas

(Pav. 35)  
(Pav. 36)  
(Pav. 37)  
(Pav. 38)

(Pav. 39)  
(Pav. 40)  
(Pav. 41)  
(Pav. 42)

# Priežiūra

## Įvadas



**PERSPĖJIMAS:** Prieš atlikdami priežiūros darbus perskaitykite ir supraskite saugos skyriaus informaciją.

Visiems gaminio techninės priežiūros ir remonto darbams reikia specialių apmokymų. Garantuojame profesionalaus remonto ir techninės priežiūros darbų pasiekiamumą. Jei jūsų pardavėjas nėra techninės priežiūros atstovas, paprašykite jo informacijos apie artimiausią techninės priežiūros atstovą.

## Priežiūros grafikas

### Savaitinė techninė priežiūra

- Nuvalykite išorinius paviršius.
- Įsitikinkite, kad varikliui veikiant tuščiaja eiga pjovimo įtaisas nesisuka. Žr. *Greičio tuščiaja eiga reguliavimas psl. 192.*
- Patikrinkite tepalo lygį kampinėje pavaroje. Žr. *Kampinės pavaros tepimas psl. 193.*

### Mėnesinė techninė priežiūra

- Įsitikinkite, kad nepažeista starterio virvės rankena ir starterio virvė.

### Kasmetinė techninė priežiūra

- Patikrinkite uždegimo žvakę. Žr. *Uždegimo žvakės tikrinimas psl. 192*
- Nuvalykite išorinius karbiuratoriaus ir gretimų paviršius.
- Išvalykite aušinimo sistemą.
- Patikrinkite kibirkščių sulaikymo tinklėlį. Žr. *Kibirkščių sulaikymo tinklelio priežiūra psl. 192.*
- Patikrinkite kuro filtrą.
- Įsitikinkite, kad nepažeista degalų žarnelė.
- Įsitikinkite, kad nepažeisti gaminio kabeliai ir jungtys.

## Greičio tuščiaja eiga reguliavimas

- Prieš reguliuodami greitį tuščiaja eiga įsitikinkite, kad oro filtras švarus, o oro filtro dangtelis pritvirtintas.
- Reguluokite greitį tuščiaja eiga greičio tuščiaja eiga reguliavimo varžtu T, kurį nurodo žymė „T“.
- Greitis tuščiaja eiga yra tinkamas, kai variklis tolygiai veikia visose padėtyse. Greitis tuščiaja eiga turi būti mažesnis nei greitis, kuriam esant pradeda suktsis pjovimo įtaisas.

1. Laisvosios eigos varžtą sukite pagal laikrodžio rodyklę, kol pjovimo įtaisas pradės suktsis. (Pav. 43)

2. Laisvosios eigos varžtą sukite prieš laikrodžio rodyklę, kol pjovimo įtaisas sustos.

## Kibirkščių sulaikymo tinklelio priežiūra

Valykite kibirkščių sulaikymo tinklėlį vieliniu šepečiu. (Pav. 44)

## Aušinimo sistemos valymas

Nuvalykite aušinimo sistemos dalis šepečiu.

(Pav. 45)

## Uždegimo žvakės tikrinimas



**PASTABA:** Naudokite rekomenduojamą uždegimo žvakę. Įsitikinkite, kad keičiama dalis yra tokia pat, kaip gamintojo naudojama dalis. Netinkama uždegimo žvakė gali sugadinti gaminį.

1. Patikrinkite uždegimo žvakę, kai:
  - a) sumažėja variklio galia.
  - b) variklį sunku užvesti.
  - c) variklis netinkamai veikia tuščiaja eiga.
2. Jei variklį sunku užvesti arba jis veikia nesklaidžiai, patikrinkite, ar ant uždegimo žvakės nėra pašalinių medžiagų. Norėdami sumažinti pašalinių medžiagų atsiradimą ant uždegimo žvakės elektrodų:
  - a) įsitikinkite, kad tinkamai sureguliuotas greitis tuščiaja eiga.
  - b) įsitikinkite, kad naudojate tinkamą kuro mišinį.
  - c) patikrinkite, ar oro filtras yra švarus.
3. Jei uždegimo žvakė nešvari, nuvalykite ją. Patikrinkite, ar tarpas tarp elektrodų yra tinkamas. (Pav. 46)
4. Esant reikalui pakeiskite uždegimo žvakę.

## Oro filtro priežiūra

### Kaip išvalyti oro filtrą

1. Nuimkite oro filtro dangtelį ir išimkite oro filtrą. (Pav. 47)
2. Išplaukite oro filtrą šiltoje muiluotame vandenyje. Prieš sumontuodami oro filtrą, palaukite, kol jis išdžius.



3. Pakeiskite oro filtrą, jei jis toks purvinas, kad jo nebeįmanoma išplauti. Visada pakeiskite pažeistą oro filtrą.
4. Jei gaminyje naudojamas poroloninis oro filtras, naudokite oro filtrų alyvą. Oro filtrų alyvą naudokite tik porolono filtrui. Nenaudokite alyvos veltiniam oro filtrui.

### Oro filtrų alyvos naudojimas oro filtrui



**PASTABA:** Poroloniniams oro filtrams visada naudokite specialią oro filtrų alyvą. Nenaudokite kitų rūšių alyvos.



**PERSPĖJIMAS:** Neapsiliekitė alyva kūno.

1. Nuimkite oro filtro dangtelį ir išimkite oro filtrą. (Pav. 48)
2. Įdėkite oro filtrą į plastikinį maišelį.
3. Įpilkite į maišelį oro filtrų alyvos. (Pav. 49)
4. Suspauskite plastikinį maišelį, kad alyva tolygiai pasiskirstytų po oro filtrą.
5. Suspauskite maišelyje esantį oro filtrą, kad išspaustumėte nereikalingą oro filtrų alyvą. Išimkite oro filtrą iš maišelio.
6. Sumontuokite oro filtrą.

### Kampinės pavaros tepimas

Būtinai patikrinkite, ar 3/4 kampinės pavaros yra pripildyta kampinių pavarų tepalu.

(Pav. 50)

## Gedimai ir jų šalinimas

### Nepavyksta užvesti variklio

Tikrinkite toliau išvardytus dalykus	Galima priežastis	Veiksmai
Stabdymo jungiklis.	Stabdymo jungiklis perjungtas į stabdymo padėtį.	Stabdymo jungiklį nustatykite į paleidimo padėtį.
Starterio strektės.	Starterio strektės negali laisvai judėti.	Nuimkite starterio dangtelį ir išvalykite plotą aplink starterio strektes. Kreipkitės pagalbos į įgaliotą techninės priežiūros atstovą.
Degalų bakelis.	Netinkama degalų rūšis.	Ištuštinkite degalų bakelį ir pripilkite tinkamų degalų.
Uždegimo žvakė.	Uždegimo žvakė nešvari arba drėgna.	Pasirūpinkite, kad degimo žvakė būtų sausa ir švari.
	Netinkamas tarpas tarp uždegimo žvakės elektrodų.	Išvalykite žvakę. Patikrinkite, ar tarpas tarp elektrodų yra tinkamas. Pasirūpinkite, kad degimo žvakėje būtų slopintuvus. Informacijos apie tinkamą tarpą tarp elektrodų rasite techniniuose duomenyse.
	Atsileidusi uždegimo žvakė.	Priveržkite uždegimo žvakę.

### Variklis užsiveda, tačiau vėl užgesa.

Tikrinkite toliau išvardytus dalykus	Galima priežastis	Veiksmai
Degalų bakelis	Netinkama degalų rūšis.	Ištuštinkite degalų bakelį ir pripilkite tinkamų degalų.

Tikrinkite toliau išvardytus dalykus	Galima priežastis	Veiksmai
Oro filtras	Užsikimšęs oro filtras.	Išvalykite oro filtrą.

## Transportavimas, saugojimas ir utilizavimas

### Gabenimas ir laikymas

- Prieš gabendami arba padėdami laikyti palaukite, kol įrenginys atšąs.
- Prieš padėdami gaminį laikyti ilgesniam laikui, nuimkite uždegimo žvakės antgalį.
- Gabendami pritvirtinkite įrenginį. Pasirūpinkite, kad jis negalėtų pajudėti.
- Pasirūpinkite, kad gabenant ir laikant nebūtų pavojaus išsilieti degalams, susidaryti degalų dūmams, nebūtų kibirkščių ir liepsnos šaltinių.
- Prieš padėdami laikyti ilgesniam laikui, įrenginį išvalykite ir atlikite techninę priežiūrą

## Techniniai duomenys

### Techniniai duomenys

	<b>325L</b> <b>A05328CSHV</b>
<b>Variklis</b>	
Cilindro darbinis tūris, cm <sup>3</sup>	27,6
Greitis tuščiaja eiga, aps./min	2800–3200
Rekomenduojamos maks. apsuokos be apkrovos, r/min	8000
Galia / didžiausioji variklio galia pagal ISO 8893, kW / AG / aps./min.	0,9/1,2, esant 8000
Duslintuvas su katalizatoriumi	Taip
Galios atidavimo veleno greitis, aps./min	7200
<b>Uždegimo sistema</b>	
Uždegimo žvakė	Husqvarna HQT-4
Tarpas tarp elektrodų, mm	0,5
<b>Degalų sistema</b>	
Degalų bakelio talpa, l/cm <sup>3</sup>	0,343 /343
<b>Gaminio matmenys</b>	
Svoris (be pjovimo įrangos)	5,0
<b>Skleidžiamas triukšmas<sup>43</sup></b>	

<sup>43</sup> Triukšmas, skleidžiamas į aplinką, išmatuotas kaip garso galia ( $L_{WA}$ ) pagal EB direktyvą 2000/14/ EB. Pateiktas įrenginio garso stiprumo lygis buvo išmatuotas naudojant didžiausią garsą sukeltantį originalų pjovimo įtaisą. Skirtumas tarp garantuojamojo ir matuojamojo garso stiprumo yra tas, kad pagal Direktyvą 2000/14/EB garantuojamasis garso stiprumas apima ir matavimo rezultatų sklaidą bei nukrypimus tarp skirtingų to pačio modelio įrenginių.

	<b>325L</b> <b>A05328CSHV</b>
Garso galios lygis, garantuojamas $L_{WA}$ , dB (A)	114
Garso galios lygis, matuojamas dB (A)	110
<b>Garso lygiai<sup>44</sup></b>	
Garso slėgio lygis naudotojo ausyje dirbant su žoliapjovės galvute, dB(A)	93
<b>Vibracijos lygis<sup>45</sup></b>	
Ekvivalentiškas vibracijos lygis (ahv, eq) dirbant su žoliapjovės galvute kairiojoje rankoje, $m/s^2$	4,2
Ekvivalentiškas vibracijos lygis (ahv, eq) dirbant su žoliapjovės galvute dešiniojoje rankoje, $m/s^2$	6,1

---

## Priedai

---

### Priedai

Patvirtinti priedai	Tipas	Pjovimo įtaiso apsauga
Sriegiuotas velenas	M10L	
Žoliapjovės galvutė	T35, Ø 2,4 mm	588 54 37-01

<sup>44</sup> Pateiktuose duomenyse apie ekvivalentinį gaminio garso slėgio lygį yra 1 dB (A) tipiška statistinė sklaida (standartinis nuokrypis).

<sup>45</sup> Pateiktuose atitinkamo vibracijos lygio duomenyse yra 1  $m/s^2$  tipiška statistinė sklaida (standartinis nuokrypis).

---

## EB atitikties deklaracija

---

### EB atitikties deklaracijos turinys

Mes, „Husqvarna AB“, SE 561 82 Huskvarna, ŠVEDIJA, savo atsakomybe pareiškiame, kad pateiktas gaminy:

<b>Aprašas</b>	<b>Benzininė žoliapjovė / krūmapjovė</b>
Prekės ženklas	„Husqvarna“
Platforma / tipas / modelis	Platforma A05328CSHV, atitinkanti modelį 325L.
Partija	Serijos numerių data nuo 2018.

visiškai atitinka šias ES direktyvas ir reikalavimus:

Direktyva / reikalavimas	Aprašas
2006/42/EB	„dėl mašinų“
2014/30/ES	„dėl elektromagnetinio suderinamumo“
2000/14/EB	„dėl triukšmo lauke“
2011/65/ES	dėl tam tikrų pavojingų medžiagų naudojimo

Taikomi darnieji standartai ir (arba) techninės specifikacijos: EN ISO 12100, EN ISO 11806-1, CISPR 12, ISO 14982, EN 50581:2012 .

Pagal 2000/14/EB direktyvos V priedą nustatytosios garso vertės pateikiamos šios instrukcijos techninių duomenų skyriuje iri pasirašytoje EB atitikties deklaracijoje.

Bendrovė „TÜV Rheinland N.A.“ atliko neatlygintą tyrimą bendrovės „Husqvarna AB“ vardu ir pateikia EB komisijos 2006/42/EB direktyvos dėl mašinų atitikties sertifikatą.

Šis sertifikatas, kaip nurodyta pasirašytoje EB atitikties deklaracijoje, galioja visoms gamybos vietoms ir kilmės šalims, nurodytoms gaminio etiketėje.

Tiekiami benzininė žoliapjovė / krūmapjovė atitinka tyrime naudotą pavyzdį.

---

## Saturs

---

Ievads.....	197	Problēmu novēršana.....	205
Drošība.....	198	Pārvadāšana, glabāšana un utilizēšana.....	206
Montāža.....	201	Tehniskie dati.....	206
Darbība.....	202	Piederumi.....	207
Tehniskā apkope.....	204	EK atbilstības deklarācija.....	208

---

## Ievads

---

### Lietotāja rokasgrāmata

Šīs lietotāja rokasgrāmatas sākotnējā valoda ir angļu. Lietotāja rokasgrāmatas citās valodās ir tulkojumi no angļu valodas.

### Paredzētā lietošana

Izstrādājums jāizmanto ar trimera galvu zāles pļaušanai. Neizmantojiet izstrādājumu citiem uzdevumiem, izņemot zāles apgriešanu un pļaušanu.

### Izstrādājuma pārskats

(Att. 1)

1. Trimerā galva
2. Smērvielas uzpildes vietas vāciņš
3. Koniskais zobrats
4. Griešanas ierīces aizsargs
5. Stienis
6. Apaļais rokturis
7. Droseles mēlīte
8. Apturēšanas slēdzis
9. Droseles mēlītes bloķētājs
10. Aizdedzes sveces uzgalis, aizdedzes svece
11. Startera korpus
12. Startera auklas rokturis
13. Degvielas tvertne
14. Gaisa filtra vāks
15. Gaisa izspiešanas pūslītis
16. Droseljārsta vadība
17. Piedziņas diski
18. Lietošanas rokasgrāmata
19. Taustiņš START (Sākt)

### Simboli uz izstrādājuma

- (Att. 2) **BRĪDINĀJUMS!** Šis izstrādājums ir bīstams. Tas var izraisīt traumas vai nāvi operatoram vai blakus stāvošām personām, ja izstrādājums netiek lietots uzmanīgi un pareizi. Lai novērstu traumas operatoram vai blakus stāvošām personām, izlasiet un

**Piezīme:** Šī ķēdes zāga lietošanu var ierobežot valsts normatīvie akti.

---

ievērojiet visas drošības instrukcijas lietošanas rokasgrāmatā.

(Att. 3) Lūdzu, rūpīgi izlasiet šo lietošanas rokasgrāmatu un pirms izstrādājuma lietošanas pārliecinieties, vai izprotat instrukcijas.

(Att. 4) Izmantojiet apstiprinātus dzirdes aizsarglīdzekļus. Izmantojiet apstiprinātus acu aizsarglīdzekļus.

(Att. 5) Izstrādājums var izsviest objektus, kas var radīt traumas.

(Att. 6) Dzenamās vārpstas maksimālais ātrums.

(Att. 7) Izstrādājuma lietošanas laikā ievērojiet minimālo attālumu — 15 m/50 pēdas — no cilvēkiem un dzīvniekiem.

(Att. 8) Izmantojiet tikai elastīgo trimera auklu

(Att. 9) Neizmantojiet metāla griešanas elementus

(Att. 10) Bultiņas norāda roktura atrašanās vietas ierobežojumus.

(Att. 11) Gaisa izspiešanas pūslītis.

(Att. 12) Gaisa vārsts.

(Att. 13) Degvielas uzpilde.

(Att. 14) Trokšņa emisijas līmenis vidē attiecas uz Eiropas Kopienas direktīvu. Izstrādājuma

emisiju līmenis ir norādīts sadaļā Tehniskie dati un uz zīmes.

(Att. 15) Šis izstrādājums atbilst piemērojamo EK direktīvu prasībām.

(Att. 16) Šis produkts atbilst piemērojamo EAC direktīvu prasībām.

Datu plāksnītē ir norādīts sērijas numurs. **yyyy** ir ražošanas gads, **ww** ir ražošanas nedēļa, un **xxxxx** ir kārtas numurs.

yyyywwxxxx

**Piezīme:** Pārējie uz izstrādājuma norādītie simboli/uzzīmes attiecas uz citu tirdzniecības nozaru prasībām.

## Atbildība par izstrādājuma kvalitāti

Saskaņā ar likumiem par izstrādājuma kvalitāti mēs neuzņemamies atbildību par bojājumiem, ko radījis mūsu izstrādājums, ja:

- ir veikts nepareizs izstrādājuma remonts;
- izstrādājuma remonts ir veikts, izmantojot detaļas, ko nav nodrošinājis vai apstiprinājis ražotājs;
- izstrādājumam tiek pievienots piederums, ko nav nodrošinājis vai apstiprinājis ražotājs;
- izstrādājuma remonts nav veikts pilnvarotā apkopes centrā vai pie pilnvarota speciālista.

## ES V



**BRĪDINĀJUMS:** Motora atvēršana anulē šī kādes zāga ES tipa apstiprinājumu.

## Drošība

### Drošības definīcijas

Brīdinājumi, norādes "Uzmanību!" un piezīmes tiek izmantotas, lai izceltu īpaši svarīgas lietotāja rokasgrāmatas daļas.



**BRĪDINĀJUMS:** Tiek izmantota tad, ja rokasgrāmatā sniegto instrukciju neievērošanas dēļ operatoram vai blakus esošajām personām draud traumu vai nāves risks.



**IEVĒROJIET:** Tiek izmantota tad, ja rokasgrāmatā sniegto instrukciju neievērošanas dēļ rodas izstrādājuma, citu materiālu vai blakus esošās teritorijas bojājuma risks.

**Piezīme:** Tiek izmantota, lai sniegtu plašāku informāciju, kas nepieciešama attiecīgajā situācijā.

### Drošība saistībā ar vibrācijām

Šis izstrādājums ir paredzēts tikai neregulārai ekspluatācijai. Izstrādājuma ilgstoša vai regulāra lietošana vibrāciju dēļ var izraisīt "balto pirkstu" sindromu vai līdzīgas medicīniskas problēmas. Ja lietojat šo izstrādājumu ilgstoši un regulāri, pārbaudiet roku un pirkstu stāvokli. Ja rokas vai pirksti kļūst bāli, sāp, tirpst vai kļūst nejutīgi, pārtrauciet darbu un nekavējoties sazinieties ar ārstu.

### Vispārīgi norādījumi par drošību



**BRĪDINĀJUMS:** Pirms sākat lietot izstrādājumu, izlasiet tālāk izklāstītās brīdinājuma instrukcijas.

- Lietojiet izstrādājumu pareizi. Nepareiza lietošana var radīt smagas vai nāvējošas traumas. Izmantojiet izstrādājumu tikai šajā rokasgrāmatā aprakstītajiem darbiem. Nelietojiet izstrādājumu citiem uzdevumiem.
- Ievērojiet šīs rokasgrāmatas norādījumus. Ievērojiet drošības simbolus un drošības instrukcijas. Ja operators neievēro norādījumus un simbolus, var tikt radīti aprikojuma bojājumi, smagas vai nāvējošas traumas.
- Neizmetiet šo rokasgrāmatu. Izmantojiet norādījumus, lai saliktu, lietotu un uzturētu šo izstrādājumu labā stāvoklī. Izmantojiet norādījumus pareizai palīgieiču un piederumu uzstādīšanai. Izmantojiet tikai apstiprinātās palīgieiņas un piederumus.
- Nelietojiet bojātu izstrādājumu. Ievērojiet apkopes grafiku. Veiciet tikai tos apkopes darbus, kas aprakstīti šajā rokasgrāmatā. Pārējos apkopes darbus uzticiet pilnvarotam apkopes centram.
- Šī rokasgrāmata nevar ietvert visas situācijas, kas var rasties, izmantojot šo izstrādājumu. Esiet uzmanīgs un saprātīgs. Nelietojiet pūtēju un neveiciet tā apkopi, ja nesat drošs par radušos situāciju. Sazinieties ar izstrādājuma speciālistu,

- izplatītāju, apkopes pārstāvi vai pilnvarotu apkopes centru, lai saņemtu papildinformāciju.
- Pirms izstrādājuma montāžas, novietošanas uzglabāšanā vai apkopes veikšanas atvienojiet aizdedzes sveces kabeli.
- Neizmantojiet izstrādājumu, ja tā sākotnējā specifikācija ir mainīta. Nemainiet izstrādājuma detaļas bez ražotāja apstiprinājuma. Lietojiet tikai ražotāja apstiprinātas rezerves daļas. Veicot nepareizu apkopi, var tikt radītas smagas vai nāvējošas traumas.
- Neieelpojiet dzinēja radītos izgarojumus. Ilgstoša dzinēja izplūdes gāzu ieelpošana var apdraudēt veselību.
- Nelietojiet izstrādājumu telpās vai ugunsdrošu materiālu tuvumā. Izplūdes gāzes ir karstas un var saturēt dzirksteli, kas var izraisīt aizdegšanos. Nepietiekama gaisa plūsma var izraisīt savainojumus vai nāvi, nosmokot vai saindējoties ar oglekļa monoksīdu (tvana gāzi).
- Produkta lietošanas laikā tā dzinējs rada elektromagnētisko lauku. Elektromagnētiskais lauks var radīt medicīnisko implantātu bojājumus. Pirms izmantot izstrādājumu, sazinieties ar ārstu vai medicīniskā implantāta ražotāju.
- Neļaujiet bērniem lietot šo izstrādājumu. Neļaujiet izstrādājumu lietot personai, kas nav iepazinusies ar lietošanas norādījumiem.
- Ja izstrādājumu izmanto persona ar samazinātām fiziskajām vai garīgajām spējām, vienmēr uzraugiet šo personu. Tuvumā vienmēr jābūt pieaugušajam.
- Ieslēdziet izstrādājumu vietā, kurai nevar piekļūt bērni un nepiederošas personas.
- Izstrādājums var izsviest objektus un radīt traumas. Ievērojiet drošības instrukcijas, lai samazinātu smagu vai nāvējošu traumu gūšanas risku.
- Neatstājiet izstrādājumu, kad darbojas tā dzinējs.
- Izstrādājuma lietotājs ir atbildīgs par radušos negadījumus.
- Pirms izstrādājuma lietošanas pārliecinieties, vai tā detaļas nav bojātas.
- Pirms pūtēja lietošanas pārliecinieties, vai atrodaties vismaz 15 m (50 pēdu) attālumā no citām personām vai dzīvniekiem. Noskaidrojiet, vai apkārtējie zina, ka lietois pūtēju.
- Ievērojiet valsts vai vietējos likumus. Tie var neļaut vai ierobežot izstrādājuma lietošanu noteiktos apstākļos.
- Neizmantojiet šo izstrādājumu, ja esat noguris vai lietojis alkoholu, narkotikas vai medikamentus. Šīs vielas var ietekmēt jūsu redzi, modrību, koordināciju vai spriestspēju.

- Pirms izstrādājuma montāžas noņemiet aizdedzes sveces uzgali no aizdedzes sveces.
- Izmantojiet apstiprinātu aizsargciemdes.
- Pirms iedarbināt dzinēju, pārliecinieties, vai pārsegu un vārpstu esat piemontējis pareizi.

## Norādījumi par drošu darbu

- Pirms izstrādājuma lietošanas pārliecinieties, vai tas ir pilnībā samontēts.
- Pirms sākt darbu, pārvietojiet trimeri 3 m (10 pēdu) attālumā no vietas, kur veicāt degvielas tvertnes uzpildi. Novietojiet izstrādājumu uz līdzenas virsmas. Pārliecinieties, vai griešanas ierīce nepieskaras zemei vai citiem priekšmetiem.
- Izstrādājums var izsviest objektus, kas var radīt acu traumas. Lietojot izstrādājumu, vienmēr izmantojiet atbilstošus acu aizsarglīdzekļus.
- Esiet uzmanīgs, jo darba laikā, jums nezinot, izstrādājuma tuvumā var nokļūt bērni.
- Nelietojiet izstrādājumu, ja darba zonā atrodas citas personas. Pārtrauciet lietot izstrādājumu, ja darba zonā ienāk cita persona.
- Nezaudējiet vadību pār izstrādājumu.
- Neizmantojiet izstrādājumu, ja jums nebūs, kas sniedz palīdzību, kad rodas negadījums. Pirms izstrādājuma lietošanas vienmēr pārliecinieties, vai citi zina, ka jūs to lietois.
- Negriezieties, turot izstrādājumu, pirms tam nepārliecinoties, ka citas personas vai dzīvnieki atrodas drošā attālumā.
- Pirms darba sākšanas novāciet visus nevēlamos materiālus no darba zonas. Ja griešanas ierīce atsitās pret objektu, tas var tikt izsviests, radot traumas vai bojājumus. Nevēlami materiāli var apūties ap griešanas ierīci un radīt bojājumus.
- Neizmantojiet izstrādājumu sliktos laika apstākļos (migla, lietus, stiprs vējš, negaisa iespējāmība vai līdzīgos laika apstākļos). Sliktos laika apstākļos var rasties bīstami darba apstākļi (piemēram, slidenas virsmas).
- Pārliecinieties, vai varat brīvi kustēties un strādāt stabilā stāvoklī.

(Att. 17)

- Gādājiet, lai jūs nepakristu, lietojot izstrādājumu. Nepārliecinieties izstrādājuma lietošanas laikā.
- Vienmēr turiet izstrādājumu ar abām rokām. Turiet izstrādājumu ķermeņa labajā pusē.

(Att. 18)

- Lietojiet izstrādājumu, tā griešanas ierīcei atrodoties zem jūsu jostasvietas.
- Ja dzinēja iedarbināšanas laikā gaisa vārsta vadība atrodas gaisa vārsta pozīcijā, griešanas ierīce sāks griezties.
- Pēc dzinēja apturēšanas nepieskarieties koniskajam zobratam. Pēc dzinēja apturēšanas koniskais zobrats ir karsts. Karsti objekti var radīt apdegumus.
- Pirms izstrādājuma pārvietošanas izslēdziet dzinēju.

## Norādījumi par drošu uzstādīšanu



**BRĪDINĀJUMS:** Pirms sākat lietot izstrādājumu, izlasiet tālāk izklāstītās brīdinājuma instrukcijas.

- Nenolieciet izstrādājumu zemē, kad tā dzinējs darbojas.
- Pirms nevēlamu materiālu noņemšanas no izstrādājuma apturiet dzinēju un uzgaidiet, līdz griešanas ierīce apstājas. Ļaujiet griešanas ierīcei apstāties, pirms jūs vai cita persona noņemat nogrieztu materiālu.

## Individuālie aizsarglīdzekļi



**BRĪDINĀJUMS:** Pirms sākat lietot izstrādājumu, izlasiet tālāk izklāstītās brīdinājuma instrukcijas.

- Lietojot izstrādājumu, vienmēr izmantojiet atbilstošu individuālais drošības aprīkojumu. Individuālais drošības aprīkojums neizslēdz traumu risku. Individuālais drošības aprīkojums samazina negadījuma rezultātā radušos traumu smagumu.
- Strādājot ar ierīci, vienmēr izmantojiet atbilstošus acu aizsarglīdzekļus.
- Nelietojiet ierīci, ja kājas ir basas vai ieautas valējās apavos. Vienmēr lietojiet darba apavus ar neslīdošām zolēm.
- Uzvelciet izturīgas garās bikses.
- Ja nepieciešams, izmantojiet atbilstošus aizsargcimdus.
- Ja pastāv iespēja, ka uz galvas var krist objekti, izmantojiet ķiveri.
- Lietojot izstrādājumu, vienmēr izmantojiet atbilstošus ausu aizsarglīdzekļus. Ilgstošs troksnis var izraisīt dzirdes zudumu.
- Pārlicinieties, vai tuvumā atrodas pirmās palīdzības sniegšanas komplekts.

## Izstrādājuma drošības ierīces



**BRĪDINĀJUMS:** Pirms sākat lietot izstrādājumu, izlasiet tālāk izklāstītās brīdinājuma instrukcijas.

- Nelietojiet izstrādājumu ar bojātām drošības ierīcēm.
- Regulāri pārbaudiet drošības ierīces. Sk. *Izstrādājuma pārskats lpp. 197.*
- Ja drošības ierīces ir bojātas, sazinieties ar vietējo Husqvarna apkopes sniedzēju.

## Droseles mēlītes bloķētājs

Droseles mēlītes bloķētājs fiksē droseles mēlīti. (Att. 19)

Nospiediet droseles mēlītes bloķētāju (A), lai atbrīvotu droseles mēlīti. Atlaižot rokturi, droseles mēlītes bloķētājs un droseles mēlīte atgriezīsies sākotnējā stāvoklī.

1. Pārlicinieties, vai tukšgaitas laikā droseles mēlīte (B), atlaižot droseles mēlītes bloķētāju (A), tiek bloķēta.

2. Nospiediet droseles mēlītes bloķētāju (A) un pārbaudiet, vai pēc atlaišanas tas atgriežas sākotnējā stāvoklī.
3. Nospiediet droseles mēlīti (B) un pārbaudiet, vai pēc atlaišanas tā atgriežas sākotnējā stāvoklī.

ledarbiniet dzinēju un atveriet droseli līdz galam. Atlaidiet droseles mēlīti un pārbaudiet, vai griešanas ierīce apstājas. Ja, droselei esot tukšgaitas stāvoklī, griešanas ierīce griežas, pārbaudiet karburatora tukšgaitas regulēšanas skrūvi.

## Apturēšanas slēdzis

ledarbiniet dzinēju. Pārlicinieties, vai, pārslēdzot apturēšanas slēdzi apturēšanas stāvoklī, dzinējs apstājas.

(Att. 20)

## Griešanas ierīces aizsargs

Griešanas ierīces aizsargs neļauj vaļīgus objektus izsviest operatora virzienā. (Att. 21)

Pārbaudiet, vai nav radušies griešanas ierīces aizsarga bojājumi, un nomainiet to, ja tas ir bojāts. Griešanas ierīcei izmantojiet tikai apstiprinātu aizsargu.

## Slāpētājs

- Neizmantojiet motoru, kura slāpētājs ir bojāts. Bojāts slāpētājs palielina trokšņa līmeni un aizdegšanās risku. Turiet tuvumā ugunsdzēsamo aparātu.
- Regulāri pārbaudiet produktam pievienoto slāpētāju.
- Nepieskarieties motoram vai slāpētājam, kad motors darbojas. Nepieskarieties motoram vai slāpētājam vēl brīdi pēc motora izslēgšanas. Karstas virsmas var izraisīt savainojumus.
- Karsts slāpētājs var izraisīt aizdegšanos. Esiet uzmanīgs, ja izmantojat produktu uzliesmojošu šķidrumu vai tvaiku tuvumā.
- Nepieskarieties slāpētāja detaļām, ja slāpētājs ir bojāts. Detaļas var saturēt kancerogēnas ķīmikālijas.

## Griešanas ierīce



**BRĪDINĀJUMS:** Pirms sākat lietot izstrādājumu, izlasiet tālāk izklāstītās brīdinājuma instrukcijas.

- Regulāri veiciet apkopi. Ļaujiet pilnvarotam apkopes centram regulāri pārbaudīt griešanas ierīci, lai veiktu regulēšanu vai remontu.
  - Tiks uzlabota griešanas ierīces darbība.
  - Tiks pagarināts griešanas ierīces darbmūžs.
  - Tiks samazināts negadījumu risks.
- Izmantojiet tikai apstiprinātu griešanas ierīces aizsargu. Papildinformāciju sk. *Piederumi lpp. 207.*
- Neizmantojiet bojātu griešanas ierīci.



## Drošības norādījumi, rīkojoties ar degvielu



**BRĪDINĀJUMS:** Pirms sākat lietot izstrādājumu, izlasiet tālāk izklāstītās brīdinājuma instrukcijas.

- Nemaisiet degvielu iekštelpās vai karstu virsmu tuvumā.
- Nelietojiet izstrādājumu, ja uz tā ir degviela vai dzinēja eļļa. Notīriet nevēlamo degvielu/eļļu un ļaujiet izstrādājumam nožūt. Notīriet no izstrādājuma nevēlamo degvielu.
- Ja degviela ir nokļuvusi uz apģērba, nekavējoties pārģērbieties.
- Neļaujiet degvielai nonākt uz ķermeņa, jo tā var izraisīt savainojumus. Ja degviela ir nonākusi uz ķermeņa, izmantojiet ziepes un ūdeni, lai to nomazgātu.
- Neiedarbiniet dzinēju, ja uz izstrādājuma vai jūsu ķermeņa ir izlijusi eļļa vai degviela.
- Nelietojiet izstrādājumu, ja dzinējā ir sūce. Regulāri pārbaudiet, vai dzinējam nav radusies sūce.
- Rīkojoties ar degvielu, esiet uzmanīgs. Degviela ir viegli uzliesmojoša, tās tvaiki ir sprādzienbīstami, un var izraisīt savainojumus vai nāvi.
- Neieelpojiet degvielas tvaikus, jo tie var izraisīt savainojumus. Pārliedzieties, vai gaisa plūsma ir pietiekama.
- Nesmēķējiet degvielas vai dzinēja tuvumā.
- Nenovietojiet siltus objektus degvielas vai dzinēja tuvumā.
- Nepievienojiet degvielu dzinēja darbības laikā.
- Pirms degvielas uzpildes pārliedzieties, vai dzinējs ir atdzisis.
- Pirms uzpildes lēni atveriet degvielas tvertnes vāciņu un uzmanīgi izlaižiet spiedienu.
- Neveiciet dzinēja degvielas uzpildi telpās. Nepietiekama gaisa plūsma var izraisīt savainojumus vai nāvi, nosmokot vai saindējoties ar oglekļa monoksīdu (tvana gāzi).
- Rūpīgi pievelciat degvielas tvertnes vāciņu, lai neizraisītu aizdegšanos.

- Pirms iedarbināšanas pārvietojiet izstrādājumu vismaz 3 m (10 pēdu attālumā) no vietas, kur veicat uzpildi.
- Neļējiet degvielas tvertnē pārāk daudz degvielas.
- Pārliedzieties, vai, pārvietojot izstrādājumu vai degvielas tvertni, nerodas sūce.
- Nenovietojiet izstrādājumu vai degvielas tvertni vietā, kur ir atklāta uguns, dzirksteles vai signāllampiņas. Pārliedzieties, vai uzglabāšanas vietā nav atklāta uguns.
- Degvielas pārvietošanai un uzglabāšanai izmantojiet tikai tam paredzētas tvertnes.
- Pirms ilgstošas uzglabāšanas iztukšojiet degvielas tvertni. Ievērojiet vietējos noteikumus par atbrīvošanos no degvielas.
- Pirms ilgstošas uzglabāšanas notīriet izstrādājumu.
- Pirms izstrādājuma novietošanas glabāšanā izņemiet aizdedzes sveici, lai nodrošinātu, ka dzinējs nejausi neieslēdzas.

## Norādījumi par drošu apkopi



**BRĪDINĀJUMS:** Pirms veicat produkta apkopi, izlasiet brīdinājuma norādījumus.

- Veiciet tikai lietotāja rokasgrāmatā norādītos uzturēšanas un apkopes darbus. Uzticiet visus pārējos apkopes un labošanas darbus veikt kvalificētiem tehniskā dienesta darbiniekiem.
- Regulāri izpildiet šajā rokasgrāmatā aprakstītos norādījumus par drošības pārbaudēm, uzturēšanu un tehnisko apkopi. Regulāri veiktā apkope pagarina ķēdes zāģa darbmūžu un samazina nelaimes gadījumu risku. Norādījumus skatiet šeit: *Apkopes grafiks lpp. 204*.
- Ja pēc apkopes šajā lietotāja rokasgrāmatā aprakstītās drošības pārbaudes netiek apstiprinātas, sazinieties ar vietējo apkopes sniedzēju. Mēs garantējam profesionālu remontdarbu un apkopes pieejamību jūsu produktam.

## Montāža

### Ievads



**BRĪDINĀJUMS:** Pirms montējat izstrādājumu, izlasiet nodaļu par drošību un pārliedzieties, vai saprotat to.



**BRĪDINĀJUMS:** Noņemiet aizdedzes sveces vadu no aizdedzes sveces, pirms montējat izstrādājumu.

### Cilpas roktura montāža

1. Novietojiet cilpveida rokturi starp bultiņām uz vārpstas.
2. Pievelciat skrūvi, lai piestiprinātu cilpveida rokturi pie vārpstas. (Att. 22)

### Griešanas ierīces montāža

#### Griešanas ierīces aizsarga montāža

1. Novietojiet griešanas ierīces aizsargu (A) uz vārpstas. (Att. 23)

2. Ievietojiet skavu (B) griešanas ierīces aizsarga atverē.
3. Ievietojiet skrūvi (C) skavas atverē un piestipriniet pie griešanas ierīces aizsarga.

### Trimera galvas pievienošana

1. Pārlicinieties, vai griešanas ierīces aizsargs (A) ir pievienots izstrādājumam. Skatiet šeit: *Griešanas ierīces aizsarga montāža lpp. 201.* (Att. 24)
2. Pārlicinieties, vai dzenošais disks (C) ir pievienots dzenamajai vārpstai (D).

3. Lai fiksētu vārpstu, ievietojiet atverē zvaigzņveida atslēgu (B).
4. Uz dzenamās vārpstas novietojiet trimera galvu (E).
5. Pagrieziet trimera galvu pretēji pulksteņrādītāja virzienam, lai to piegrieztu pie dzenamās vārpstas. (Att. 25)
6. Izņemiet zvaigzņveida atslēgu.

## Darbība

### Ievads



**BRĪDINĀJUMS:** Pirms sākat darbu ar produktu, izlasiet nodaļu par drošību un pārlicinieties, vai saprotat to.

### Degviela

Šim izstrādājumam ir divtaktu dzinējs.



**IEVĒROJIET:** Nepareiza veida degviela var sabojāt dzinēju. Izmantojiet benzīna un divtaktu dzinēja eļļas maisījumu.

### Iepriekš sajaukta degviela

- Lai uzlabotu veiktspēju un pagarinātu motora darbību, izmantojiet Husqvarna iepriekš sajauktu labas kvalitātes alkilātu degvielu. Šī degviela satur mazāk ķīmisku vielu, salīdzinot ar parasto degvielu, tādējādi tiek samazināts kaitīgo izplūdes gāzu apjoms. Izmantojot šo degvielu, atliekvielu līmenis pēc sadegšanas ir zemāks, kas saglabā tīrus motora komponentus.

### Degvielas sajaukšana

#### Benzīns



**IEVĒROJIET:** Neizmantojiet benzīnu, kura oktānskaitlis ir mazāks par 90 RON (87 AKI). Pretējā gadījumā produkts var tikt bojāts.



**IEVĒROJIET:** Neizmantojiet benzīns, kurā etanola koncentrācija pārsniedz 10% (E10). Pretējā gadījumā produkts var tikt bojāts.

- Vienmēr izmantojiet nelietotu bezsvina benzīnu ar oktānskaitli, kas nav mazāks par 90 RON (87 AKI) un kura etanola koncentrācija nepārsniedz 10% (E10).
- Ja bieži lietojat produktu ar ilgstošiem augstiem motora apgrīzieniem, izmantojiet benzīnu ar augstāku oktānskaitli.

### Divtaktu eļļa

- Lai uzlabotu rezultātus un veiktspēju, izmantojiet Husqvarna divtaktu dzinēja eļļu.
- Ja Husqvarna divtaktu dzinēja eļļa nav pieejama, izmantojiet kvalitatīvu divtaktu dzinēju eļļu, kas paredzēta motoriem ar gaisa dzesēšanu. Lai izvēlēto pareizu eļļu, sazinieties ar vietējo apkopes sniedzēju.



**IEVĒROJIET:** Nelietojiet divtaktu dzinēja eļļu, kas paredzēta ar ūdeni dzesējamiem piekarināmiem dzinējiem; šādu eļļu dēvē arī par piekarināmu dzinēju eļļu. Nelietojiet četraktu dzinējiem paredzētu eļļu.

### Benzīna un divtaktu dzinēja eļļas sagatavošana

Benzīns, litri	Divtaktu dzinēja eļļa, litri
	<b>2% (50:1)</b>
5	0,10
10	0,20
15	0,30
20	0,40



**IEVĒROJIET:** Samaisot mazu degvielas daudzumu, nelielas kļūdas var būtiski ietekmēt maisījuma attiecību. Rūpīgi nomēriet eļļas daudzumu un pārbaudiet, vai tiek iegūts pareizs maisījums.

(Att. 26)

1. Iepildiet pusi benzīna daudzuma tīrā degvielas tvertnē.
2. Pievienojiet visu daudzumu eļļas.
3. Sakratiet degvielas maisījumu.
4. Pievienojiet tvertnē pārējo benzīna daudzumu.
5. Rūpīgi sakratiet degvielas maisījumu.



**IEVĒROJIET:** Vienā reizē sajauciet degvielu, lai tās pietiek tikai 1 mēnesim.

## Degvielas pievienošana

- Vienmēr izmantojiet degvielas konteineru ar aizsargaprīkojumu pret pārplūšanu.
- Ja konteinerā paliek degviela, iztukšojiet to un ļaujiet konteineram izžūt.
- Pārļiecinieties, vai vieta ap degvielas tvertnes vāciņu ir tīra.
- Pirms degvielas maisījuma uzpildes degvielas tvertne sakratiet degvielas konteineru.

## Piestrādes veikšana

- Pirmajās 10 darba stundās ilgstoši neatveriet droseli līdz galam bez slodzes.

## Ieslēgšana un izslēgšana

### Kas jāpārbauda pirms lietošanas

1. Pārļiecinieties, vai izstrādājumam nav trūkstošu, bojātu, vaļīgu vai nodilušu daļu.
2. Pārļiecinieties, vai skrūves un uzgriežņi ir piegriezti.
3. Pārļiecinieties, vai trimera galva nav bojāta.
4. Pārļiecinieties, vai gaisa filtrs nav aizsprostots.
5. Pārļiecinieties, vai izstrādājuma drošības ierīces nav bojātas.
6. Pārļiecinieties, vai no izstrādājuma nenoplūst degviela.

### Auksta dzinēja iedarbināšana

1. 10 reizes nospiediet atgaisošanas sūkni. (Att. 27)
2. Pavelciet uz augšu droseljvārsta vadības ierīci. (Att. 28)
3. Ar kreiso roku piespiediet zāģa korpusu pie zemes. (Att. 29) Nekāpiet uz izstrādājuma. Lēni velciet startera auklas rokturi, līdz sajūtat pretestību. Pēc tam pavelciet startera auklas rokturi ar spēku.

**Piezīme:** Mēģinot iedarbināt dzinēju, nospiediet droseles mēfīti.

4. Turpiniet vilkt startera auklas rokturi (ne vairāk kā 3 reizes), līdz dzinējs tiek iedarbināts vai gandrīz iedarbināts. Ja dzinējs sāk darboties vai gandrīz sāk darboties, nospiediet droseljvārsta vadības ierīci uz leju. Turpiniet vilkt, līdz dzinējs iedarbināts. Pēc iedarbināšanas nogaidiet 60 sekundes, pēc tam pavelciet droseles mēfīti.



**IEVĒROJIET:** Nevelciet startera auklu līdz galam. Neatļaidiet startera auklu, kad tā pilnībā izvilktā. Atļaidiet startera auklu lēnām. Neievērojot šos norādījumus var izraisīt motora bojājumus.

## Silta motora iedarbināšana

1. 10 reizes nospiediet atgaisošanas sūkni.
2. Pavelciet startera auklu, līdz tiek iedarbināts motors.

## Dzinēja iedarbināšana, kad degviela ir pārāk karsta

Ja zāģis nesāk darboties, degviela var būt pārāk karsta.

**Piezīme:** Siltā laikā vienmēr lietojiet jaunu degvielu un samaziniet darba laiku.

1. Novietojiet zāģi vēsā vietā, neturiet to saules gaismā.
2. Ļaujiet zāģim atdzist vismaz 20 minūtes.
3. 10–15 sekundes atkārtoti nospiediet atgaisošanas sūkņa pūsli.
4. Izpildiet auksta dzinēja iedarbināšanas darbības. Skatiet šeit: *Auksta dzinēja iedarbināšana lpp. 203.*

## Apturēšana

- Nospiediet apturēšanas slēdzi, lai apturētu dzinēju. (Att. 30)

**Piezīme:** Apturēšanas slēdzis automātiski atgriežas sākotnējā stāvoklī.

## Zāles trimmera darbināšana



**IEVĒROJIET:** Pirms katras darbības samaziniet motora ātrumu līdz brīvgaitas apgrīzeņu skaitam. Ilgstoša darbināšana uz pilnu jaudu bez motora slodzes var radīt motora bojājumus.

**Piezīme:** Pievienojot jaunu trimmera auklu, noīriet trimmera galvas pārsegu, lai novērstu vibrāciju. Pārbaudiet pārējās trimmera galvas detaļas un noīriet, ja nepieciešams.

## Zāles apgrīšana

1. Turiet trimera galvu slīpi tieši virs zemes. Nespiediet trimera auklu tieši zālē. (Att. 31)
2. Saīsiniet trimera auklu par 10–12 cm/4–4,75 collām.
3. Samaziniet dzinēja apgrīzeņu skaitu, lai samazinātu augiem nodarīta kaitējuma risku.
4. Veicot griešanu objektu tuvumā, izmantojiet 80% jaudas. (Att. 32)

## Zāles griešana

1. Veicot griešanu, zāles trimera auklai jābūt paralēli zemei. (Att. 33)
2. Nespiediet trimera galvu pret zemi. Var tikt bojāta augsne un izstrādājums.
3. Neļaujiet trimera galvai nepārtraukti pieskarties zemei, jo tā var tikt bojāta trimera galva.

4. Pārvietojot trimeri no vienas puses uz otru, kad veicat zāles plaušanu, nospiediet drošeli līdz galam. Pārliecinieties, vai zāles trimmera aukla ir paralēli zemei. (Att. 34)

## Zāles trimmera galva

- Pārliecinieties, vai zāles trimmera galva ir stingri un vienmērīgi pievilktā ap cilindru, lai samazinātu vibrāciju.
- Izmantojiet tikai apstiprinātas zāles trimmera galvas un zāles trimmera auklas. Skatiet šeit: *Piederumi lpp. 207.*
- Izmantojiet pareiza garuma zāles trimmera auklu. Gara zāles trimmera aukla patērē vairāk motora jaudas, nekā īsa zāles trimmera aukla.

- Pārliecinieties, vai nav bojāts uz griešanas ierīces aizsarga piestiprinātais griezējs.
- Pirms zāles trimmera auklas piestiprināšanas produktam 2 dienas mērcējiet zāles trimmera auklu ūdenī. Tas palielina zāles trimmera auklas darbību.

## Trimera auklas nomaīņa

(Att. 35)  
(Att. 36)  
(Att. 37)  
(Att. 38)  
(Att. 39)  
(Att. 40)  
(Att. 41)  
(Att. 42)

---

# Tehniskā apkope

---

## Ievads



**BRĪDINĀJUMS:** Pirms veicat apkopi, izlasiet nodaļu par drošību un pārliecinieties, vai izprotat to.

Lai veiktu visus izstrādājuma apkopes un remonta darbus, ir nepieciešama īpaša apmācība. Mēs garantējam profesionāla remonta un apkopes pieejamību. Ja jūsu izplatītājs nav servisa pārstāvis, vērsieties pie viņa, lai iegūtu informāciju par tuvāko servisa pārstāvi.

## Apkopes grafiks

### Iknedēļas apkope

- Notīriet ārējās virsmas.
- Pārbaudiet, vai griešanas ierīce negriežas, dzinējam darbojoties tukšgaitā. Skatiet šeit: *Tukšgaitas apgriezienu skaita regulēšana lpp. 204.*
- Pārbaudiet smērvielas līmeni konisko zobratu reduktorā. Skatiet šeit: *Koniskā zobrata ieeļļošana lpp. 205.*

### Ikmēneša apkope

- Pārliecinieties, vai startera auklas rokturis un startera aukla nav bojāta.

### Ikgadēja apkope

- Pārbaudiet aizdedzes sveci. Skatiet šeit: *Aizdedzes sveces pārbaude lpp. 204*
- Notīriet karburatoru un virsmu ap to.
- Izīriet dzesēšanas sistēmu.
- Pārbaudiet dzirksteļu uztvērēja režģi. Skatiet šeit: *Dzirksteļu uztvērēja režģa apkope lpp. 204.*
- Pārbaudiet degvielas filtru.
- Pārliecinieties, vai degvielas šļūtene nav bojāta.
- Pārliecinieties, vai izstrādājuma kabeli un savienojumi nav bojāti.

## Tukšgaitas apgriezienu skaita regulēšana

- Pirms tukšgaitas apgriezienu skaita regulēšanas pārliecinieties, vai gaisa filtrs ir tīrs un ir piestiprināts gaisa filtra pārsegs.
- Regulējiet tukšgaitas apgriezienu skaitu ar tukšgaitas regulēšanas skrūvi T, kas apzīmēta ar "T".
- Tukšgaitas apgriezienu skaits ir pareizs, ja dzinējs vienmērīgi darbojas visos režīmos. Tukšgaitas apgriezienu skaitam ir jābūt mazākam par to, pie kura griešanas ierīce sāk griezties.

1. Griežiet tukšgaitas regulēšanas skrūvi pulkstenrādītāju kustības virzienā, līdz griešanas ierīce sāk griezties. (Att. 43)
2. Griežiet tukšgaitas regulēšanas skrūvi pretēji pulkstenrādītāju kustības virzienam, līdz griešanas ierīce apstājas.

## Dzirksteļu uztvērēja režģa apkope

Ar metāla suku izīriet dzirksteļu uztvērēja režģi. (Att. 44)

## Dzesēšanas sistēmas tīrīšana

Notīriet dzesēšanas sistēmas daļas ar suku.

(Att. 45)

## Aizdedzes sveces pārbaude



**IEVĒROJIET:** Izmantojiet ieteikto aizdedzes sveces tipu. Pārliecinieties, vai rezerves detaļa ir tāda pati kā ražotāja nodrošinātā. Nepareiza aizdedzes svece var radīt izstrādājuma bojājumus.

1. Pārbaudiet aizdedzes sveci šādos gadījumos:
  - a) samazinās dzinēja jauda;
  - b) dzinēju ir grūti iedarbināt;

- c) tukšgaitā dzinējs nedarbojas pareizi.
2. Ja dzinēju ir grūti iedarbināt vai darbināt, pārbaudiet, vai uz aizdedzes sveces nav uzkrājušies nevēlami materiāli. Lai samazinātu nevēlamu materiālu uzkrāšanos uz aizdedzes sveces elektrodiem:
- pārliecinieties, vai tukšgaitas apgriezenu skaits ir pareizi noregulēts;
  - pārliecinieties, vai degvielas maisījums ir pareizs;
  - pārliecinieties, vai gaisa filtrs ir tīrs.
3. Ja aizdedzes svece ir nefīra, noīriet to. Pārbaudiet, vai attālums starp aizdedzes sveces elektrodiem ir pareizs. (Att. 46)
4. Kad nepieciešams, nomainiet aizdedzes sveci.

## Gaisa filtra apkope

### Gaisa filtra tīrīšana

- Noņemiet gaisa filtra pārsegu un izņemiet gaisa filtru. (Att. 47)
- Iztīriet gaisa filtru ar siltu ziepjūdeni. Pirms uzstādīšanas pārliecinieties, vai gaisa filtrs ir sauss.
- Nomainiet gaisa filtru, ja tas ir pārāk nefīrs, lai to pilnībā noīrītu. Vienmēr nomainiet bojātu gaisa filtru.
- Ja izstrādājumam ir putu polistirola filtrs, ieeļļojiet to ar gaisa filtra eļļu. Gaisa filtra eļļu izmantojiet tikai putu polistirola filtram. Nelietojiet eļļu filca filtram.

## Gaisa filtra ieeļļošana ar gaisa filtra eļļu



**IEVĒROJĪET:** Putu polistirola filtriem vienmēr izmantojiet speciālo gaisa filtra eļļu. Neizmantojiet citu veidu eļļas.



**BRĪDINĀJUMS:** Neļaujiet eļļai nonākt uz jūsu ķermeņa.

- Noņemiet gaisa filtra pārsegu un izņemiet gaisa filtru. (Att. 48)
- Ievietojiet gaisa filtru plastmasas maisiņā.
- Ievietojiet gaisa filtra eļļu plastmasas maisiņā. (Att. 49)
- Saspiediet plastmasas maisiņu, lai nodrošinātu, ka eļļa tiek vienmērīgi uzklāta uz gaisa filtra.
- Uzspiediet uz gaisa filtra, kad tas atrodas maisiņā, lai noīrītu lieko gaisa filtra eļļu. Izņemiet gaisa filtru no maisiņa.
- Uzstādiet gaisa filtru.

## Koniskā zobrata ieeļļošana

Sekoiet, lai koniskais zobrats būtu par trīs ceturtdaļām piepildīts ar smērvielu.

(Att. 50)

## Problēmu novēršana

### Dzinējs needarbojas

Kas jāpārbauda	Iespējamais iemesls	Darbības
Apturēšanas slēdzis.	Apturēšanas slēdzis ir apturēšanas stāvoklī.	Pārslēdziet apturēšanas slēdzi iedarbināšanas stāvoklī
Startera sprūdi.	Startera sprūdi nevar brīvi kustēties.	Noņemiet startera pārsegu un noīriet ap startera sprūdiem. Ļaujiet pilnvarotam apkopes pārstāvim jums palīdzēt.
Degvielas tvertne.	Nepiemērota degviela.	Iztukšojiet degvielas tvertni un uzpildiet ar piemērotu degvielu.

Kas jāpārbauda	Iespējamais iemesls	Darbības
Aizdedzes svece.	Aizdedzes svece ir netīra vai mitra.	Pārbaudiet, vai aizdedzes svece ir sausa un tīra.
	Attālums starp aizdedzes sveces elektrodiem nav pareizs.	Notīriet aizdedzes sveci. Pārbaudiet, vai aizdedzes sveces elektrodu atstarpe ir pareiza. Pārbaudiet, vai aizdedzes svece ir aprīkota ar slāpētāju.
		Informāciju par pareizo elektrodu atstarpī skatiet tehnisko datu sadaļā.
	Aizdedzes svece ir vaļīga.	Pievelciet aizdedzes sveci.

## Dzinējs sāk darboties, taču atkal apstājas

Kas jāpārbauda	Iespējamais iemesls	Procedūra
Degvielas tvertne	Nepareizs degvielas tips.	Iztukšojiet degvielas tvertni un uzpildiet ar pareizo degvielu.
Gaisa filtrs	Ir aizsprostots gaisa filtrs.	Iztīriet gaisa filtru.

## Pārvadāšana, glabāšana un utilizēšana

### Transportēšana un glabāšana

- Pirms transportēšanas vai glabāšanas ļaujiet izstrādājumam atdzist.
- Pirms ilgstošas glabāšanas noņemiet aizdedzes sveces uzgali.
- Transportēšanas laikā nostipriniet izstrādājumu. Pārliecinieties, ka tas nevar kustēties.

- Pārliecinieties, ka nav degvielas noplūdes, degvielas tvaiku, dzirksteļu vai liesmu riska transportēšanas un glabāšanas laikā.
- Pirms ilgstošas glabāšanas notīriet izstrādājumu un saremontējiet to.

## Tehniskie dati

### Tehniskie dati

	<b>325L</b> <b>A05328CSHV</b>
<b>Dzinējs</b>	
Cilindra darba tilpums, cm <sup>3</sup>	27,6
Brīvgaitas apgriezību skaits, apgr./min.	2800–3200
Ieteicamais maksimālais apgriezību skaits, apgr./min.	8000
Jauda/maks. dzinēja jauda saskaņā ar ISO 8893, kW/zp (apgr./min)	0,9/1,2 @ 8000
Trokšņa slāpētājs ar katalītisko neitralizatoru	Jā

	<b>325L</b> <b>A05328CSHV</b>
Dzenamās vārpstas apgriezienu skaits, apgr./min	7200
<b>Aizdedzes sistēma</b>	
Aizdedzes svece	Husqvarna HQT-4
Elektrodu attālums, mm	0,5
<b>Degvielas sistēma</b>	
Degvielas tvertnes tilpums, l/cm <sup>3</sup>	0,343/343
<b>Izstrādājuma izmēri</b>	
Svars (bez griešanas aprīkojuma), kg	5,0
<b>Trokšņa emisija<sup>46</sup></b>	
Skaņas intensitātes līmenis, garantētais (L <sub>WA</sub> dB(A))	114
Skaņas intensitātes līmenis, izmērītais, dB (A)	110
<b>Skaņas līmeņi<sup>47</sup></b>	
Skaņas spiediena līmenis pie operatora auss, uzstādīta trimera galva (dB(A))	93
<b>Vibrācijas līmeņi<sup>48</sup></b>	
Līdzvērtīgs vibrācijas līmenis (ahv, eq), uzstādīta trimera galva, kreisās puses rokturis, m/s <sup>2</sup>	4,2
Līdzvērtīgs vibrācijas līmenis (ahv, eq), uzstādīta trimera galva, labās puses rokturis, m/s <sup>2</sup>	6,1

## Piederumi

### Piederumi

Apstiprinātie piederumi	Tips	Griešanas ierīces aizsargs
Vārpsta ar vītņi	M10L	
Trimera galva	T35, Ø 2,4 mm	588 54 37-01

<sup>46</sup> Atbilstoši EK direktīvai 2000/14/EK trokšņa emisija apkārtne ir mērīta kā skaņas jauda (L<sub>WA</sub>). Novērotais izstrādājuma skaņas jaudas līmenis ir izmērīts ar pievienotu oriģinālo griešanas ierīci, kas rada augstāko līmeni. Atšķirība starp garantēto un izmērīto skaņas jaudas līmeni ir tāda, ka garantētā skaņas intensitātes līmeņa mērījumu rezultāts ietver arī izkliedi mērījuma rezultātā un atšķirības dažādiem tā paša modeļa izstrādājumiem atbilstoši Direktīvai 2000/14/EK.

<sup>47</sup> Sniegtajos datos par ekvivalenta skaņas spiediena līmeni ierīcei ir tipiska statistiskā 1 dB (A) izkliede (standarta novirze).

<sup>48</sup> Sniegtajos datos par ekvivalentu vibrācijas līmeni ir tipiska 1 m/s<sup>2</sup> statistiskā izkliede (standarta novirze).

---

## EK atbilstības deklarācija

---

### EK atbilstības deklarācijas saturs

Ar šo mēs, Husqvarna AB, SE 561 82 Huskvarna, ZVIEDRIJĀ, ar pilnu atbildību apliecinām, ka šis izstrādājums:

Apraksts	Benzīna zāles trimeris/ krūmgriezis
Zīmols	Husqvarna
Platforma/tips/modelis	PlatformaA05328CSHV, kas pārstāv modeli 325L.
Partija	Sērijas numurs, sākot no 2018. gada.

pilnībā atbilst šādām ES direktīvām un noteikumiem:

Direktīva/regula	Apraksts
2006/42/EK	par mašīnām
2014/30/EK	par elektromagnētisko sa- vietojamību
2000/14/EK	par trokšņa emisiju vidē
2011/65/EK	"noteiktu bīstamu vielu lie- tošanas ierobežojums"

Ir piemēroti šādi saskaņotie standarti un/vai tehniskās specifikācijas: EN ISO 12100, EN ISO 11806-1, CISPR 12, ISO 14982, EN 50581:2012 .

Saskaņā ar Direktīvas 2000/14/EK V pielikumu deklarētie skaņas līmeņi ir norādīti šīs rokasgrāmatas tehnisko datu sadaļā un parakstīti EK Atbilstības deklarācijā.

TÜV Rheinland N.A. veica brīvprātīgu pārbaudi Husqvarna AB vārdā, izsniedzot atbilstības sertifikātu saskaņā ar EK Padomes Direktīvu 2006/42/EK par mašīnām.

Šis sertifikāts, kas pievienots parakstītajai EK Atbilstības deklarācijai, ir derīgs visām ražotnēm un izcelsmes valstīm, kas norādītas uz izstrādājuma.

Piegādātais benzīna zāles trimeris/krūmgriezis atbilst izstrādājumam, kam tika veikta pārbaude.



---

## Inhoud

---

Inleiding.....	209	Problemen oplossen.....	218
Veiligheid.....	210	Vervoer, opslag en verwerking.....	218
Montage.....	214	Technische gegevens.....	219
Bediening.....	214	Accessoires.....	220
Onderhoud.....	216	EG-conformiteitsverklaring.....	221

---

## Inleiding

---

### Gebruikershandleiding

De oorspronkelijke taal van deze gebruikshandleiding is Engels. Bedieningshandleidingen in andere talen zijn vertalingen uit het Engels.

### Gebruik

Het product wordt gebruikt in combinatie met een trimmerkop om gras te maaien. Gebruik het product niet

voor andere werkzaamheden dan het trimmen en maaien van gras.

**Let op:** Nationale wetgeving kan het gebruik van dit product mogelijk beperken.

---

### Productoverzicht

(Fig. 1)

1. Trimmerkop
2. Vuldop smeervet
3. Hoekoverbrenging
4. Beschermkap voor snijuitrusting
5. As
6. Loophandvat
7. Gashendel
8. Stopschakelaar
9. Gashendelvergrendeling
10. Bougiekap, bougie
11. Starterhuis
12. Startkoordhendel
13. Brandstoftank
14. Luchtfilterdeksel
15. Primerbalg van brandstofpomp
16. Chokehendel
17. Meenemer
18. Gebruiksaanwijzing
19. Stersleutel

(Fig. 3) Lees de bedieningshandleiding zorgvuldig door en zorg dat u de instructies hebt begrepen voordat u het product gebruikt.

(Fig. 4) Gebruik goedgekeurde gehoorbescherming. Gebruik goedgekeurde oogbescherming.

(Fig. 5) Het gebruik van het product kan tot rondvliegende voorwerpen leiden, waardoor letsel kan ontstaan.

(Fig. 6) Maximum toerental van de uitgaande as.

(Fig. 7) Houd personen en dieren op een minimale afstand van 15 m/50 ft tijdens het gebruik van dit product.

(Fig. 8) Gebruik alleen flexibel trimmerdraad

(Fig. 9) Gebruik geen metalen snijelementen

(Fig. 10) De pijlen geven de limieten van de positie van de hendel weer.

(Fig. 11) Primerbalg van brandstofpomp.

(Fig. 12) Choke.

(Fig. 13) Brandstof bijvullen.

(Fig. 14) Geluidsemissie naar de omgeving, raadpleeg de EG-richtlijn. De emissie van het product staat vermeld in het hoofdstuk "Technische gegevens" en op het label.

(Fig. 15) Het product voldoet aan de geldende EG-richtlijnen.

### Symbolen op het product

(Fig. 2) **WAARSCHUWING!** Dit product is gevaarlijk. Onzorgvuldig of onjuist gebruik van het product kan leiden tot letsel of de dood van de gebruiker of omstanders. Lees en volg alle veiligheidsinstructies in de bedieningshandleiding om letsel bij de gebruiker of omstanders te voorkomen.

(Fig. 16) Het product voldoet aan de geldende EAC-richtlijnen.

Het productplaatje toont het serienummer. **yyyy** is het productiejaar, **ww** is de productieweek en **xxxx** is het serienummer.

yyyywwxxxx

**Let op:** Andere symbolen/stickers op het product hebben betrekking op certificeringseisen voor overige commerciële markten.

## Productaansprakelijkheid

Zoals uiteengezet in de wet voor productaansprakelijkheid zijn wij niet aansprakelijk voor schade die door ons product wordt veroorzaakt, indien:

- het product niet goed is gerepareerd.
- het product is gerepareerd met onderdelen die niet van de fabrikant afkomstig zijn, of onderdelen die niet zijn goedgekeurd door de fabrikant.
- het product een accessoire bevat die niet afkomstig is van de fabrikant of niet is goedgekeurd door de fabrikant.
- het product niet is gerepareerd door een erkend servicepunt of door een erkende autoriteit.

## EU V



**WAARSCHUWING:** De EU-typegoedkeuring van dit product vervalt als ongeoorloofde wijzigingen aan de motor aangebracht worden.

# Veiligheid

## Veiligheidsdefinities

Waarschuwingen, voorzorgsmaatregelen en opmerkingen worden gebruikt om te wijzen op belangrijke delen van de handleiding.



**WAARSCHUWING:** Wordt gebruikt om te wijzen op de kans op ernstig of fataal letsel voor de gebruiker of omstanders wanneer de instructies in de handleiding niet worden gevolgd.



**OPGELET:** Wordt gebruikt indien er een risico bestaat op schade aan het product en andere eigendommen of aan de omgeving wanneer de instructies in de handleiding niet worden gevolgd.

**Let op:** Geven verdere informatie die nodig is in een bepaalde situatie.

## Trillingsveiligheid

Dit product is alleen bedoeld voor incidenteel gebruik. Het voortdurend of regelmatig bedienen van het product kan zorgen voor "witte vingers" of dergelijke medische problemen als gevolg van trillingen. Houd de toestand van uw handen en vingers in de gaten als u het product voortdurend of regelmatig gebruikt. Als uw handen of vingers verkleuren, pijn doen, tintelen of dof aanvoelen, stop dan met werken en raadpleeg onmiddellijk een arts.

## Algemene veiligheidsinstructies



**WAARSCHUWING:** Lees de volgende waarschuwingen voordat u het product gaat gebruiken.

- Gebruik het product op de juiste manier. Onjuist gebruik leidt mogelijk tot letsel of de dood. Gebruik het product uitsluitend voor de taken die in deze handleiding worden genoemd. Gebruik het product niet voor andere taken.
- Volg de instructies in deze handleiding op. Volg de veiligheidssymbolen en veiligheidsinstructies op. Het niet in acht nemen van de instructies en de symbolen kan leiden tot letsel, schade of de dood.
- Gooi deze handleiding niet weg. Gebruik de instructies voor het monteren, gebruiken en onderhouden van uw product. Gebruik de instructies voor een correcte installatie van opzetstukken en accessoires. Gebruik alleen goedgekeurde opzetstukken en accessoires.
- Gebruik nooit een beschadigd product. Neem het onderhoudsschema in acht. Voer alleen onderhoudswerkzaamheden uit waarvoor u in deze handleiding een instructie aantreft. Alle overige onderhoudswerkzaamheden moeten door een erkend servicepunt worden uitgevoerd.
- Deze handleiding kan niet alle situaties beschrijven die zich voor kunnen doen wanneer u dit product gebruikt. Wees voorzichtig en gebruik uw gezond verstand. Gebruik het product niet en voer geen

onderhoudswerkzaamheden aan het product uit als u niet zeker bent van de situatie. Neem voor meer informatie contact op met een productexpert, uw dealer, servicewerkplaats of erkende servicepunt.

- Koppel de bougiekabel los voordat u het product monteert, het product opslaat of onderhoudswerkzaamheden uitvoert.
- Gebruik het product niet als de oorspronkelijke specificatie is gewijzigd. Vervang geen onderdelen van het product zonder toestemming van de fabrikant. Gebruik alleen door de fabrikant goedgekeurde onderdelen. Onjuist onderhoud kan leiden tot letsel of de dood.
- Adem geen dampen in van de motor. Langdurig inademen van de uitlaatgassen van de motor kan een gevaar voor de gezondheid opleveren.
- Start het product niet in gesloten ruimtes of in de buurt van licht ontvlambaar materiaal. De uitlaatgassen zijn heet en kunnen vonken veroorzaken die tot brand kunnen leiden. Onvoldoende ventilatie kan leiden tot ernstig letsel of de dood door verstikking of het inademen van koolmonoxide.
- Wanneer u dit product gebruikt, genereert de motor een elektromagnetisch veld. Het elektromagnetische veld kan schade veroorzaken aan medische implantaten. Raadpleeg uw arts en de fabrikant van het medische implantaat voordat u het product gebruikt.
- Laat het product niet door een kind bedienen. Laat de machine niet bedienen door personen die de instructies niet hebben gelezen.
- Zorg ervoor dat u personen met een lichamelijke of geestelijke beperking die het product gebruiken, altijd in de gaten houdt. Er moet te allen tijde een verantwoordelijke volwassene aanwezig zijn.
- Berg het product op in een afgesloten ruimte die niet toegankelijk is voor kinderen of onbevoegde personen.
- Het product kan objecten uitwerpen en letsel veroorzaken. Neem de veiligheidsinstructies in acht om het risico op letsel of de dood te verlagen.
- Blijf in de buurt van het product wanneer de motor is ingeschakeld.
- De gebruiker van het product is verantwoordelijk indien zich een ongeval voordoet.
- Zorg dat er geen onderdelen beschadigd zijn, voordat u het product gebruikt.
- Zorg ervoor dat u minimaal 15 m (50 ft) van andere personen en dieren verwijderd bent, voordat u het product gaat gebruiken. Zorg ervoor dat personen in het aangrenzende gebied weten dat u het product gaat gebruiken.
- Neem nationale en lokale wetgeving in acht. Deze kan het gebruik van het product in sommige situaties beperken of verbieden.
- Gebruik het product niet als u moe bent, of onder invloed van alcohol, drugs of medicijnen verkeert. Ze

kunnen een negatief effect hebben op uw zicht, alertheid, coördinatie of oordeel.

## Veiligheidsinstructies voor montage



**WAARSCHUWING:** Lees de volgende waarschuwingen voordat u het product gaat gebruiken.

- Verwijder de bougiekap van de bougie voordat u het product monteert.
- Draag goedgekeurde veiligheidshandschoenen.
- Zorg ervoor dat u de kap en de steel goed monteert, voordat u de motor start.

## Veiligheidsinstructies voor bediening

- Zorg ervoor dat het product volledig is gemonteerd voordat u het gaat gebruiken.
- Verplaats het product minstens 3 m (10 ft) van de plaats waar u de brandstoftank hebt gevuld, voordat u het product start. Plaats het product op een vlakke ondergrond. Zorg ervoor dat de snijuitrusting niet in aanraking komt met de grond of andere objecten.
- Het gebruik van het apparaat kan tot rondvliegende voorwerpen leiden, waardoor oogletsel kan ontstaan. Gebruik altijd goedgekeurde oogbescherming wanneer u het product gebruikt.
- Let op: Tijdens het gebruik kan een kind zonder uw medeweten dicht bij het product komen.
- Gebruik dit product niet als zich personen in het werkgebied bevinden. Schakel het product uit wanneer een persoon het werkgebied betreedt.
- Zorg dat u het product altijd onder controle hebt.
- Gebruik het product niet als u geen hulp kunt krijgen indien zich een ongeval voordoet. Zorg er altijd voor dat anderen weten dat u het product gaat gebruiken voordat u het product start.
- Draai niet met het product voordat u zeker weet dat er zich geen personen of dieren in de veiligheidszone bevinden.
- Verwijder alle ongewenste materialen uit het werkgebied voordat u begint. Als de snijuitrusting een object raakt, dan kan dit object worden uitgeworpen en letsel of schade veroorzaken. Ongewenst materiaal kan zich rond de snijuitrusting wikkelen en schade veroorzaken.
- Gebruik het product niet bij slecht weer (mist, regen, sterke wind, gevaar van blikseminslag of andere weersomstandigheden.). Slecht weer kan leiden tot gevaarlijke omstandigheden (zoals gladde oppervlakken).
- Zorg dat u vrij kunt bewegen en in een stabiele houding kunt werken.  
(Fig. 17)
- Zorg dat u niet kunt vallen wanneer u het product gebruikt. Buig u niet voorover of achterover wanneer u het product bedient.

- Houd het product altijd met twee handen vast. Houd het apparaat rechts van uw lichaam.

(Fig. 18)

- Bedien het product zodanig dat de snijuitrusting zich onder uw middel bevindt.
- Als de chokhendel in de chokestand staat wanneer de motor wordt ingeschakeld, dan begint de snijuitrusting te draaien.
- Raak de hoekoverbrenging niet aan nadat de motor is uitgeschakeld. De hoekoverbrenging is heet nadat de motor is uitgeschakeld. Hete oppervlakken kunnen letsel veroorzaken.
- Schakel de motor uit voordat u het product verplaatst.
- Zet het product niet neer terwijl de motor is ingeschakeld.
- Schakel de motor uit en wacht totdat de snijuitrusting is gestopt voordat u ongewenst materiaal van het product verwijdt. Laat de snijuitrusting eerst stoppen voordat u (al dan niet met een hulpmiddel) het maaisel verwijdt.

## Persoonlijke beschermingsuitrusting



**WAARSCHUWING:** Lees de volgende waarschuwingen voordat u het product gaat gebruiken.

- Gebruik altijd de juiste persoonlijke beschermingsmiddelen wanneer u het product gebruikt. De persoonlijke beschermingsmiddelen nemen het risico op letsel niet weg. De persoonlijke beschermingsmiddelen verlagen de ernst van het letsel indien zich een ongeval voordoet.
- Gebruik altijd goedgekeurde oogbescherming wanneer u het product gebruikt.
- Bedien het product niet op blote voeten of met open schoenen. Gebruik altijd antislipplaatzen voor zwaar gebruik.
- Draag een lange broek van stevige stof.
- Gebruik indien nodig goedgekeurde beschermende handschoenen.
- Gebruik een helm als er objecten op uw hoofd kunnen vallen.
- Gebruik altijd goedgekeurde gehoorbescherming wanneer u het product gebruikt. Langdurig lawaai kan gehoorverlies veroorzaken.
- Zorg ervoor dat u een EHBO-kit bij de hand hebt.

## Veiligheidsvoorzieningen op het product



**WAARSCHUWING:** Lees de volgende waarschuwingen voordat u het product gaat gebruiken.

- Gebruik het product nooit wanneer de veiligheidsvoorzieningen defect zijn.

- Controleer de veiligheidsvoorzieningen regelmatig op een juiste werking. Zie *Productoverzicht op pagina 209*.
- Als de veiligheidsvoorzieningen defect zijn, neem dan contact op met uw Husqvarna servicedealer.

## Gashendelvergrendeling

De gashendelvergrendeling vergrendelt de gashendel. (Fig. 19)

Druk op de gashendelvergrendeling (A) om de gashendel (B) te ontgrendelen. Wanneer u de hendel ontgrendelt, gaan de gashendelvergrendeling en de gashendel terug naar hun oorspronkelijke stand.

1. Zorg dat de gashendel (B) is vergrendeld in de stationaire stand wanneer u de gashendelvergrendeling (A) ontgrendelt.
2. Druk op de gashendelvergrendeling (A) en controleer of deze teruggaat naar de oorspronkelijke stand wanneer u deze loslaat.
3. Druk op de gashendel (B) en controleer of deze teruggaat naar de oorspronkelijke stand wanneer u deze loslaat.

Start de motor en zet het gas volledig open. Laat de gashendel los en controleer of de snijuitrusting stopt. Als de snijuitrusting draait terwijl de gashendel in de stationaire stand staat, controleer dan de stelschroef voor de stationaire stand van de carburateur.

## Stopschakelaar

Start de motor. Controleer of de motor stopt wanneer u de stopschakelaar in de stop-stand zet.

(Fig. 20)

## Beschermkap voor snijuitrusting

De beschermkap van de snijuitrusting voorkomt dat losse objecten in de richting van de gebruiker kunnen vliegen.

(Fig. 21)

Controleer de beschermkap van de snijuitrusting op schade en vervang hem indien hij beschadigd is. Gebruik alleen de goedgekeurde beschermkap voor de snijuitrusting.

## Geluiddemper

- Gebruik geen motor met een beschadigde geluiddemper. Een beschadigde geluiddemper laat het geluidniveau stijgen en vergroot het risico van brand. Zorg dat er een brandblusser in de buurt is.
- Controleer regelmatig of de geluiddemper aan het product is bevestigd.
- Raak de motor en de geluiddemper niet aan terwijl de motor is ingeschakeld. Raak de motor en de geluiddemper een tijdje niet aan nadat de motor is uitgeschakeld. Hete oppervlakken kunnen letsel veroorzaken.

- Een hete geluiddemper kan brand veroorzaken. Let op als u het product in de buurt van ontvlambare vloeistoffen of dampen gebruikt.
- Raak geen onderdelen van de geluiddemper aan als de geluiddemper beschadigd is. De onderdelen kunnen kankerverwekkende chemicaliën bevatten.

## Snijuitrusting



**WAARSCHUWING:** Lees de volgende waarschuwingen voordat u het product gaat gebruiken.

- Voer regelmatig onderhoud uit. Laat de snijuitrusting regelmatig door een erkend servicepunt controleren, zodat er aanpassingen en reparaties uitgevoerd kunnen worden.
  - Dit leidt tot betere prestaties van de snijuitrusting.
  - De levensduur van de snijuitrusting neemt toe.
  - Het risico van ongevallen neemt af.
- Gebruik uitsluitend een goedgekeurde beschermkap voor de snijuitrusting. Voor meer informatie zie *Accessoires op pagina 220*.
- Gebruik nooit beschadigde snijuitrusting.

## Brandstofveiligheid



**WAARSCHUWING:** Lees de volgende waarschuwingen voordat u het product gaat gebruiken.

- Meng de brandstof niet binnenshuis of in de buurt van een warmtebron.
- Start het product niet als er brandstof of motorolie op het product aanwezig is. Verwijder de ongewenste brandstof/olie en laat het product drogen. Verwijder ongewenste brandstof van het product.
- Als u brandstof op uw kleding morst, trek dan direct andere kleding aan.
- Zorg dat er geen brandstof op uw lichaam terecht komt, dit kan letsel veroorzaken. Als er brandstof op uw lichaam terecht komt, verwijder deze dan met water en zeep.
- Start de motor niet als u brandstof op het product of op uw lichaam hebt gemorst.
- Start het product niet als er sprake is van een motorlekkage. Controleer de motor regelmatig op lekkage.
- Wees voorzichtig met brandstof. Brandstof is licht ontvlambaar en de dampen zijn explosief. Ze kunnen letsel veroorzaken of leiden tot de dood.
- Adem geen brandstofdampen in, dit kan letsel veroorzaken. Zorg voor voldoende ventilatie.
- Rook niet in de buurt van de brandstof of de motor.
- Plaats geen warme voorwerpen in de buurt van de brandstof of de motor.
- Vul geen brandstof bij terwijl de motor is ingeschakeld.

- Zorg ervoor dat de motor koud is wanneer u brandstof bijvult.
- Draai de tankdop langzaam open en laat de druk voorzichtig ontsnappen voordat u brandstof bijvult.
- Vul geen brandstof voor de motor bij in een afgesloten ruimte. Onvoldoende ventilatie kan leiden tot ernstig letsel of de dood door verstikking of het inademen van koolmonoxide.
- Draai de tankdop goed vast, zodat er geen brand kan ontstaan.
- Verplaats het product minstens 3 m (10 ft) van de plaats waar u de brandstoftank hebt gevuld, voordat u het product start.
- Doe niet te veel brandstof in de brandstoftank.
- Zorg dat er geen brandstof wordt gemorst wanneer u het product of de jerrycan met brandstof verplaatst.
- Plaats het product of de jerrycan met brandstof niet op een plaats waar deze wordt blootgesteld aan open vuur, vonken of waakvlammen. Zorg dat er geen open vuur aanwezig is in de opslagruimte.
- Gebruik alleen goedgekeurde jerrycans voor het verplaatsen of opslaan van brandstof.
- Leeg de brandstoftank voordat het product gedurende lange tijd wordt opgeslagen. Neem lokale wetgeving in acht voor het afvoeren van brandstof.
- Reinig het product voordat het gedurende lange tijd wordt opgeslagen.
- Verwijder de bougiekabel voordat het product wordt opgeslagen, zodat de motor niet onbedoeld kan starten.

## Veiligheidsinstructies voor onderhoud



**WAARSCHUWING:** Lees de volgende waarschuwingen voordat u onderhoud aan het product gaat uitvoeren.

- De gebruiker mag alleen de onderhouds- en servicewerkzaamheden uitvoeren die in deze bedieningshandleiding zijn beschreven. Laat professioneel onderhoudspersoneel alle andere service en reparaties uitvoeren.
- Voer met regelmaat de in deze handleiding beschreven veiligheidscontroles en onderhouds- en service-instructies uit. Regelmatig onderhoud verlengt de levensduur van het product en verkleint de kans op ongevallen. Zie *Onderhoudsschema op pagina 216* voor instructies.
- Neem contact op met uw servicedealer als u na het uitvoeren van onderhoud het product niet kunt goedkeuren volgens de in deze bedieningshandleiding opgenomen veiligheidscontroles. Wij garanderen dat u daar professionele reparaties en service voor uw product krijgt.

---

# Montage

---

## Inleiding



**WAARSCHUWING:** Voordat u het product gaat monteren, dient u het hoofdstuk over veiligheid te lezen en hebben begrepen.



**WAARSCHUWING:** Verwijder de bougiekabel van de bougie voordat u het product monteert.

## Loophandvat monteren

1. Breng het loophandvat aan tussen de pijlen op de steel.
2. Draai de bout vast om het loophandvat aan de steel te bevestigen. (Fig. 22)

## Snijuitrusting monteren

### Bescherming van de snijuitrusting monteren

1. Breng de bescherming (A) van de snijuitrusting aan op de steel. (Fig. 23)

2. Plaats de steun (B) in de gleuf op de bescherming van de snijuitrusting.
3. Bevestig de bout (C) door de opening in de steun op de bescherming van de snijuitrusting.

### De trimmerkop bevestigen

1. Zorg ervoor dat de bescherming (A) van de snijuitrusting aan het product is bevestigd. Zie *Bescherming van de snijuitrusting monteren op pagina 214.* (Fig. 24)
2. Zorg ervoor dat de meenemer (C) is bevestigd aan de uitgaande as (D).
3. Breng de stersleutel (B) aan in de opening om de steel te vergrendelen.
4. Plaats de trimmerkop (E) op de uitgaande as.
5. Draai de trimmerkop linksom om deze op de uitgaande as vast te draaien. (Fig. 25)
6. Verwijder de stersleutel.

---

# Bediening

---

## Inleiding



**WAARSCHUWING:** Voordat u het product gaat gebruiken, dient u het hoofdstuk over veiligheid te lezen en hebben begrepen.

## Brandstof

Dit product is uitgerust met een tweetaktmotor.



**OPGELET:** Een verkeerde soort brandstof kan leiden tot motorschade. Gebruik een mengsel van benzine en tweetaktolie.

## Voorgemengde brandstof

- Gebruik hoogwaardige voorgemengde Husqvarna alkylaatbrandstof voor optimale prestaties en een lange levensduur van de motor. Deze brandstof bevat minder schadelijke stoffen dan reguliere brandstof waardoor de uitstoot van schadelijke uitlaatgassen wordt beperkt. Bij gebruik van deze brandstof blijven er minder verbrandingsresten in de motor achter waardoor de onderdelen van de motor schoner blijven.

## Brandstof mengen

### Benzine



**OPGELET:** Gebruik geen benzine met een octaangetal lager dan 90 RON (87 AKI). Dit kan schade aan het product veroorzaken.



**OPGELET:** Gebruik geen benzine met een ethanolgehalte van meer dan 10% (E10). Dit kan schade aan het product veroorzaken.

- Gebruik altijd nieuwe loodvrije benzine met een minimaal octaangetal van RON 90 (87 AKI) en een ethanolgehalte van minder dan 10% (E10).
- Gebruik benzine met een hoger octaangetal als u het product regelmatig gebruikt met een hoog motortoerental.

### Tweetaktolie

- Gebruik voor de beste resultaten en optimale prestaties Husqvarna tweetaktolie.
- Als geen Husqvarna tweetaktolie beschikbaar is, gebruik dan een andere hoogwaardige tweetaktolie voor luchtgekoelde motoren. Bespreek de keuze van de tweetaktolie met uw servicedealer.



**OPGELET:** Gebruik geen tweetaktolie die bedoeld is voor watergekoelde buitenboordmotoren, zogenaamde outboardoil. Gebruik geen olie die is bedoeld voor viertaktmotoren.

### Benzine en tweetaktolie mengen

Benzine, liter	Tweetaktolie, liter
	<b>2% (50:1)</b>
5	0,10
10	0,20
15	0,30
20	0,40



**OPGELET:** Wanneer u kleine hoeveelheden brandstof mengt, kunnen kleine fouten grote gevolgen hebben voor de mengverhouding. Meet de hoeveelheid olie nauwkeurig af om het juiste mengsel te verkrijgen.

(Fig. 26)

1. Giet de helft van de benzine in een schone brandstofbestendige houder.
2. Voeg de volledige hoeveelheid olie toe.
3. Schud het brandstofmengsel.
4. Giet de resterende hoeveelheid benzine in de houder.
5. Schud het brandstofmengsel grondig.



**OPGELET:** Meng maximaal de hoeveelheid brandstof die u nodig hebt voor 1 maand.

### Brandstof vullen

- Gebruik altijd een jerrycan met een anti-morsschenktuit.
- Als er brandstof op de jerrycan aanwezig is, dan verwijdert u de ongewenste brandstof en laat u de jerrycan drogen.
- Zorg dat het oppervlak rondom de tankdop schoon is.
- Schud de jerrycan voordat u het brandstofmengsel in de brandstoftank laat lopen.

### De motor laten inlopen

- Laat de motor tijdens de eerste 10 bedrijfsuren niet langdurig bij nullast draaien terwijl u volgas geeft.

## Starten en stoppen

### Controleren vóór het starten

1. Zorg ervoor dat er geen ontbrekende, beschadigde, loszittende of versleten onderdelen zijn.
2. Zorg ervoor dat moeren, schroeven en bouten zijn vastgedraaid.
3. Zorg ervoor dat de trimmerkop niet is beschadigd.
4. Zorg ervoor dat het luchtfilter niet is verstopt.
5. Controleer of de veiligheidsvoorzieningen op het product in orde zijn.
6. Zorg ervoor dat het product geen brandstof lekt.

### Koude motor starten

1. Druk de primerbalg van de brandstofpomp langzaam 10 maal in. (Fig. 27)
2. Trek de chokehendel omhoog. (Fig. 28)
3. Druk de behuizing van het apparaat met uw linkerhand op de grond. (Fig. 29) Stap niet op het product. Trek langzaam aan de greep van het startkoord totdat u enige weerstand voelt. Trek daarna stevig aan de greep van het startkoord.

**Let op:** Trek niet aan de gashendel terwijl u de motor start.

4. Trek herhaaldelijk aan de greep van het startkoord totdat de motor start of probeert te starten (max. 3 keer trekken). Als de motor start of probeert te starten, drukt u de chokehendel omlaag. Trek net zolang aan de greep totdat de motor start. Wacht na het starten van de motor 60 seconden voordat u de gashendel bedient.



**OPGELET:** Trek niet aan het startkoord totdat deze stopt. Laat het startkoord niet los wanneer het volledig is uitgetrokken. Laat het startkoord langzaam los. Het niet naleven van deze instructies kan leiden tot motorschade.

### Warme motor starten

1. Druk de primerbalg van de brandstofpomp langzaam 10 maal in.
2. Trek aan het startkoord totdat de motor start.

### Motor starten als de brandstof te warm is

Als het apparaat niet start, is de brandstof mogelijk te warm.

**Let op:** Gebruik altijd nieuwe brandstof en verkort de gebruiksduur bij warm weer.

1. Leg het apparaat op een koele plek, uit de buurt van direct zonlicht.
2. Laat het apparaat minimaal 20 minuten afkoelen.

3. Druk het balgje van de brandstofpomp gedurende 10 tot 15 seconden telkens opnieuw in.
4. Volg de procedure voor het starten van een koude motor. Zie *Koude motor starten op pagina 215*.

## Stoppen

- Druk de stopschakelaar in om de motor te stoppen. (Fig. 30)

**Let op:** De stopschakelaar keert automatisch terug naar zijn oorspronkelijke stand.

## Grastrimmer bedienen



**OPGELET:** Zorg dat u het motortoerental na elke activiteit terug laat lopen naar het stationaire toerental. Langdurig gebruik bij onbelast volgas kan leiden tot motorschade.

**Let op:** Reinig de afdekking van de trimmerkop wanneer u een nieuwe trimmerdraad aanbrengt, om trillingen te voorkomen. Controleer de andere delen van de trimmerkop en reinig deze indien nodig.

## Gras trimmen

1. Houd de trimmerkop vlak boven de grond en schuin. Druk de grastrimmerdraad niet in het gras. (Fig. 31)
2. Verkort de lengte van de trimmerdraad met 10-12 cm/4-4,75 inch.
3. Verlaag het motortoerental om het risico op schade aan planten te beperken.
4. Gebruik 80 % van het vermogen wanneer u in de buurt van objecten gras maait. (Fig. 32)

## Gras maaien

1. Zorg dat de grastrimmerdraad parallel loopt aan de grond wanneer u gaat maaien. (Fig. 33)

2. Duw de trimmerkop niet op de grond. De grond en het product kunnen hierdoor beschadigd raken.
3. Zorg dat de trimmerkop de grond niet continu raakt. Hierdoor kan de trimmerkop beschadigd raken.
4. Gebruik volgas wanneer u het product heen en weer beweegt om gras te maaien. Zorg dat de grastrimmerdraad parallel loopt aan de grond. (Fig. 34)

## Grastrimmerkop

- Zorg dat u de grastrimmerdraad strak en gelijkmatig om de trommel rolt om trillingen te verminderen.
- Gebruik alleen goedgekeurde grastrimmerkoppen en grastrimmerdraden. Zie *Accessoires op pagina 220*.
- Gebruik een grastrimmerdraad met de juiste lengte. Een lange grastrimmerdraad gebruikt meer motorvermogen dan een korte grastrimmerdraad.
- Zorg ervoor dat het mes op de beschermkap van de snijtrusting niet beschadigd is.
- Laat de grastrimmerdraad 2 dagen in water weken voordat u deze op het product bevestigt. Dit zorgt voor een langere levensduur van de grastrimmerdraad.

## Trimmerdraad vervangen

(Fig. 35)  
(Fig. 36)  
(Fig. 37)  
(Fig. 38)  
(Fig. 39)  
(Fig. 40)  
(Fig. 41)  
(Fig. 42)

# Onderhoud

## Inleiding



**WAARSCHUWING:** Voordat u onderhoud gaat uitvoeren, dient u het hoofdstuk over veiligheid te lezen en hebben begrepen.

Voor alle onderhouds- en reparatiewerkzaamheden aan het product is speciale training nodig. Wij garanderen de beschikbaarheid van professionele reparaties en onderhoud. Indien uw dealer geen servicewerkplaats heeft, vraag hem dan naar de dichtstbijzijnde servicewerkplaats.

## Onderhoudsschema

### Wekelijks onderhoud

- Reinig de externe oppervlakken.

- Zorg ervoor dat de snijtrusting niet beweegt bij stationair toerental. Zie *Stationair toerental afstellen op pagina 217*.
- Controleer het vetniveau in de hoekoverbrenging. Zie *Smeermiddel aanbrengen op de hoekoverbrenging op pagina 217*.

### Maandelijks onderhoud

- Zorg ervoor dat de greep van het startkoord en het startkoord niet zijn beschadigd.

### Jaarlijks onderhoud

- Controleer de bougie. Zie *Bougie controleren op pagina 217*
- Reinig de externe oppervlakken van de carburateur en de aangrenzende oppervlakken.
- Reinig het koelsysteem.



- Controleer het vonkenscherm. Zie *Onderhoud uitvoeren aan het vonkenscherm op pagina 217*.
- Controleer het brandstoffilter.
- Zorg ervoor dat de brandstofleiding niet is beschadigd.
- Zorg ervoor dat de kabels en verbindingen op het product niet zijn beschadigd.

## Stationair toerental afstellen

- Zorg dat het luchtfilter schoon is en dat het luchtfilterdeksel is aangebracht voordat het stationaire toerental wordt afgesteld.
  - Stel het stationaire toerental af met de bijbehorende T-stelschroef met de markering "T".
  - Het stationaire toerental is juist wanneer de motor in alle standen soepel draait. Het stationaire toerental moet lager zijn dan het toerental waarbij de snijuitrusting begint te draaien.
1. Draai de stelschroef rechtsom tot de snijuitrusting begint te draaien. (Fig. 43)
  2. Draai de stelschroef linksom tot de snijuitrusting stopt.

## Onderhoud uitvoeren aan het vonkenscherm

Gebruik een staalborstel om het vonkenscherm te reinigen. (Fig. 44)

## Koelsysteem reinigen

Reinig de onderdelen van het koelsysteem met een borstel.

(Fig. 45)

## Bougie controleren



**OPGELET:** Gebruik de aanbevolen bougie. Zorg dat het vervangende onderdeel identiek is aan het onderdeel dat door de fabrikant wordt geleverd. Een onjuiste bougie kan leiden tot schade aan het product.

1. Controleer de bougie als:
  - a) het motorvermogen laag is.
  - b) de motor niet soepel start.
  - c) de motor niet naar behoren werkt bij stationair toerental.
2. Als de motor niet soepel start of draait, controleer dan of er ongewenst materiaal op de bougie aanwezig is. Om het risico van ongewenst materiaal op de elektroden van de bougie te beperken:
  - a) zorg dat het stationaire motortoerental correct is afgesteld.

b) zorg dat het brandstofmengsel correct is.

c) zorg dat het luchtfilter schoon is.

3. Reinig de bougie als deze vuil is. Controleer of de afstand tussen de elektroden juist is. (Fig. 46)
4. Vervang de bougie indien nodig.

## Onderhoud uitvoeren aan het luchtfilter

### Het luchtfilter reinigen

1. Verwijder het luchtfilterdeksel en verwijder het luchtfilter. (Fig. 47)
2. Reinig het luchtfilter met een warm sopje van water en zeep. Zorg dat het luchtfilter droog is wanneer u dit aanbrengt.
3. Vervang het luchtfilter als het zo vuil is dat het niet meer volledig kan worden gereinigd. Vervang een beschadigd luchtfilter altijd.
4. Als uw product is uitgerust met een schuimluchtfilter, breng dan luchtfilterolie aan. Breng alleen luchtfilterolie aan op een schuimfilter. Breng geen olie aan op een viltfilter.

### Luchtfilterolie aanbrengen op het luchtfilter



**OPGELET:** Gebruik altijd speciale luchtfilterolie op schuimluchtfilters. Gebruik geen andere typen olie.



**WAARSCHUWING:** Zorg dat er geen olie op uw lichaam terecht komt.

1. Verwijder het luchtfilterdeksel en verwijder het luchtfilter. (Fig. 48)
2. Doe het luchtfilter in een plastic zak.
3. Doe de luchtfilterolie in de plastic zak. (Fig. 49)
4. Druk op de plastic zak, zodat de olie gelijkmatig over het luchtfilter wordt verdeeld.
5. Duw op het luchtfilter in de plastic zak, om de overtollige luchtfilterolie te verwijderen. Verwijder het luchtfilter uit de tas.
6. Breng het luchtfilter aan.

## Smeermiddel aanbrengen op de hoekoverbrenging

Zorg dat de hoekoverbrenging voor 3/4 gevuld is met smeermiddel.

(Fig. 50)

---

## Problemen oplossen

---

### De motor start niet

Controle	Mogelijke oorzaak	Procedure
Stop-schakelaar.	De stop-schakelaar is in de "stop"-stand gezet.	Zet de stopschakelaar in de startpositie.
Starterpallen.	De starterpallen kunnen niet vrij bewegen.	Verwijder de starterkap en reinig rond de starterpallen.
		Zoek hulp van een erkende servicewerkplaats.
Brandstoftank.	Verkeerd type brandstof.	Tap de brandstoftank af en vul hem met de juiste brandstof.
Bougie.	De bougie is vies of nat.	Zorg ervoor dat de bougie droog en schoon is.
	De elektrodenafstand van de bougie is onjuist.	Bougie reinigen. Controleer of de afstand tussen de elektroden juist is. Zorg ervoor dat de bougie een onderdrukking heeft.
		Zie technische gegevens voor een correcte elektrodenafstand.
	De bougie zit los.	Draai de bougie vast.

### De motor start, maar stopt weer

Controle	Mogelijke oorzaak	Procedure
Brandstoftank	Verkeerd type brandstof.	Leeg de brandstoftank en vul hem met de juiste brandstof.
Luchtfilter	Het luchtfilter is verstopt.	Maak het luchtfilter schoon.

---

## Vervoer, opslag en verwerking

---

### Transport en opslag

- Laat het product afkoelen voor transport of opslag.
- Verwijder de kap van de bougie voor lange-termijnopslag.
- Bevestig het product tijdens transport. Zorg ervoor dat het niet kan bewegen.

- Zorg ervoor dat er geen gevaar is op brandstoflekkages, brandstroofrook, vonken of vlammen tijdens transport en opslag.
- Reinig en onderhoud het product voor lange-termijnopslag.

# Technische gegevens

## Technische gegevens

	<b>325L</b> <b>A05328CSHV</b>
<b>Motor</b>	
Cilinderinhoud, cm <sup>3</sup>	27,6
Stationair toerental, rpm	2800 - 3200
Aanbevolen maximum toerental, omw./min.	8000
Vermogen/Max. motorvermogen volgens ISO 8893, kW/pk bij tpm	0,9/1,2 bij 8000
Geluiddemper met katalysator	Ja
Toerental van uitgaan as, tpm	7200
<b>Ontstekingsysteem</b>	
Bougie	Husqvarna HQT-4
Elektrodenafstand, mm	0,5
<b>Brandstofsysteem</b>	
Inhoud brandstoftank, l/cm <sup>3</sup>	0,343/343
<b>Productafmetingen</b>	
Gewicht (exclusief snijuitrusting), kg	5,0
<b>Geluidsemissies<sup>49</sup></b>	
Geluidsvermogeniveau, gegarandeerd (L <sub>WA</sub> ) dB(A)	114
Geluidsvermogeniveau, gemeten, dB(A)	110
<b>Geluidsniveau<sup>50</sup></b>	
Geluidsdruk niveau bij het oor van de gebruiker, uitgerust met een trimmerkop, dB(A)	93
<b>Trillingsniveau<sup>51</sup></b>	
Equivalent trillingsniveau (ahv, eq), uitgerust met trimmerkop, linkerhandgreep, m/s <sup>2</sup>	4,2
Equivalent trillingsniveau (ahv, eq), uitgerust met trimmerkop, rechterhandgreep, m/s <sup>2</sup>	6,1

<sup>49</sup> Geluidsemissie naar de omgeving gemeten als geluidsvermogen (L<sub>WA</sub>) volgens EG-richtlijn 2000/14/ EG. Het gerapporteerde geluidsvermogeniveau voor het product is gemeten met de originele snijuitrusting die het hoogste niveau geeft. Het verschil tussen gegarandeerd en gemeten geluidsvermogen is dat het gegarandeerde geluidsvermogen ook spreiding in het meetresultaat omvat en de verschillen tussen de verschillende producten van hetzelfde model conform Richtlijn 2000/14/EG.

<sup>50</sup> De gerapporteerde gegevens voor een vergelijkbaar geluidsdruk niveau voor de machine vertonen een typische statistische spreiding (standaardafwijking) van 1 dB(A).

<sup>51</sup> De gerapporteerde gegevens voor een vergelijkbaar trillingsniveau vertonen een typische statistische spreiding (standaardafwijking) van 1 m/s<sup>2</sup>.

---

## Accessoires

---

### Accessoires

Goedgekeurde accessoires	Type	Beschermkap voor snijuitrusting
Schroefdraadas	M10L	
Trimmerkop	T35, Ø 2,4 mm	588 54 37-01

---

## EG-conformiteitsverklaring

---

### Inhoud van de EG-verklaring van overeenstemming

Wij, Husqvarna AB, SE 561 82 Huskvarna, ZWEDEN, verklaren onder onze alleenverantwoordelijkheid dat het gerepresenteerde product:

<b>Beschrijving</b>	<b>Grastrimmer / bosmaaier met benzinemotor</b>
Merk	Husqvarna
Platform / Type / Model	Platform A05328CSHV, vertegenwoordigend model 325L
Partij	Serienummer vanaf 2018 en verder

volledig voldoet aan de volgende EU-richtlijnen en -regelgeving:

<b>Richtlijn/Verordening</b>	<b>Beschrijving</b>
2006/42/EG	"betreffende machines"
2014/30/EU	"betreffende elektromagnetische compatibiliteit"
2000/14/EG	"betreffende geluid buitenshuis"
2011/65/EU	"beperking van het gebruik van bepaalde gevaarlijke stoffen"

Toegepaste geharmoniseerde normen en/of technische specificaties zijn als volgt: EN ISO 12100, EN ISO 11806-1, CISPR 12, ISO 14982

In overeenstemming met richtlijn 2000/14/EG, bijlage V, staan de verklaarde geluidswaarden vermeld in de sectie met technische gegevens van deze handleiding en in de ondertekende EG-verklaring van overeenstemming.

TÜV Rheinland N.A. heeft een vrijwillig typeonderzoek uitgevoerd ten behoeve van Husqvarna AB, onder vermelding van Certificaat van overeenstemming met Machinerichtlijn 2006/42/EG van de Europese Raad.

Het certificaat, als vermeld op de ondertekende EG-verklaring van overeenstemming, is van toepassing op alle fabriekslocaties en landen van herkomst, zoals vermeld op het product.

De geleverde grastrimmer / bosmaaier met benzinemotor is conform het geteste exemplaar.

---

# INNHOOLD

---

Innledning.....	222	Feilsøking.....	230
Sikkerhet.....	223	Transport, oppbevaring og avhending.....	230
Montering.....	226	Tekniske data.....	231
Bruk.....	227	Tilbehør.....	232
Vedlikehold.....	229	EF-samsvarserklæring.....	233

---

## Innledning

---

### Bruksanvisning

Det originale språket i denne bruksanvisningen er engelsk. Bruksanvisninger på andre språk er oversettelser fra engelsk.

### Bruksområder

Produktet brukes med et trimmerhode for å klippe gress. Ikke bruk produktet til andre oppgaver enn gressstrimming og gressrydding.

### Produktoversikt

(Fig. 1)

1. Trimmerhode
2. Påfyllingslokk for smøremiddel
3. Vinkelgir
4. Vern for skjæreutstyr
5. Riggør
6. Løkkehåndtak
7. Gassregulator
8. Stoppbryter
9. Gassregulatorsperre
10. Tennplugghette, tennplugg
11. Startmotorhus
12. Håndtak på startsnoren
13. Brennstofftank
14. Luftfilterlokk
15. Pumpe (blære)
16. Chokeregulator
17. Medbringer
18. Brukerhåndbok
19. Stjernenenøkkel

### Symboler på produktet

- (Fig. 2) **ADVARSEL!** Dette produktet er farlig. Brukeren eller personer i nærheten kan rammes av personskaade eller død dersom produktet ikke brukes forsiktig og korrekt. Les og følg alle sikkerhetsinstruksjonene i brukerhåndboken for å forhindre

**Merk:** Nasjonale forskrifter kan sette grenser for bruken av produktet.

---

(Fig. 3) personskaade på brukeren eller personer i nærheten.

(Fig. 4) Les nøye gjennom bruksanvisningen og sørg for at du har forstått instruksjonene før bruk.

(Fig. 5) Bruk godkjent hørselsvern. Bruk godkjent øyevern.

(Fig. 6) Produktet kan kaste ut objekter, noe som kan føre til skader.

(Fig. 7) Maksimal hastighet for den utgående akselen.

(Fig. 8) Hold produktet minst 15 m unna personer og dyr når du bruker det.

(Fig. 9) Bruk bare fleksibel trimmertråd.

(Fig. 10) Ikke bruk metallklinger.

(Fig. 11) Pilene viser grensene for plasseringen av håndtaket.

(Fig. 12) Pumpe (blære).

(Fig. 13) Choke.

(Fig. 14) Drivstoffpåfylling.

(Fig. 15) Støyutslipp til omgivelsene ifølge EF-direktivet. Produktets utslipp angis i kapitlet Tekniske data og på klistremerket.

(Fig. 15) Dette produktet samsvarer med gjeldende EF-direktiver.

(Fig. 16) Dette produktet samsvarer med gjeldende EAC-direktiver.

Typeskiltet viser serie-nummeret. **yyyy** er produksjon-såret, **ww** er produksjonsuken og **xxxx** er serienum-meret.

yyyywwxxxx

**Merk:** Øvrige symboler/klistremerker angitt på produktet gjelder sertifiseringskrav for andre markeder.

## Produktansvar

Som nevnt i lovverket om produktansvar er vi ikke ansvarlig for skader som produktet vårt forårsaker, hvis

- produktet er reparert på feil måte
- produktet er reparert med deler som ikke kommer fra produsenten eller som ikke er godkjent av produsenten
- produktet har et tilbehør som ikke kommer fra produsenten eller som ikke er godkjent av produsenten.
- produktet ikke er reparert på et godkjent servicesenter eller av en godkjent aktør

## EU V



**ADVARSEL:** Tukling med motoren opphever EU-type-godkjenningen til dette produktet.

## Sikkerhet

### Sikkerhetsdefinisjoner

Advarsler, oppfordringer og merknader brukes for å understreke spesielt viktige deler av bruksanvisningen.



**ADVARSEL:** Brukes hvis det er fare for personskade eller død for føreren eller andre personer om instruksjonene i håndboken ikke følges.



**OBS:** Brukes hvis det er fare for skade på produktet, annet materiell eller nærliggende områder om instruksjonene i håndboken ikke følges.

**Merk:** Brukes for å gi mer nødvendig informasjon for en spesifikk situasjon.

### Vibrasjonssikkerhet

Dette produktet er bare for sporadisk bruk. Kontinuerlig eller regelmessig bruk av produktet kan forårsake syndromet «hvite fingre» eller tilsvarende medisinske problemer fra vibrasjoner. Vær oppmerksom på tilstanden til hendene og fingrene dine hvis du bruker produktet kontinuerlig eller regelmessig. Hvis hendene eller fingrene er misfarget, eller hvis du kjenner smerte, kribling eller nummenhet, må du avbryte arbeidet og umiddelbart ta kontakt med en lege.

### Generelle sikkerhetsinstruksjoner



**ADVARSEL:** Les de følgende advarslene før du bruker produktet.

- Bruk produktet riktig. Personskade eller død er mulige konsekvenser av feil bruk. Produktet må kun brukes til oppgaver angitt i denne bruksanvisningen. Ikke bruk produktet til andre oppgaver.
- Følg instruksjonene i denne bruksanvisningen. Følg symbolene og sikkerhetsinstruksjonene. Personskade, materiell skade eller død er mulige konsekvenser hvis brukeren ikke følger instruksene og symbolene.
- Ikke kast denne bruksanvisningen. Bruk instruksjonene for å montere, bruke og holde produktet i god stand. Følg instruksjonene for riktig montering av tilbehør og tilleggsutstyr. Bruk bare godkjent tilbehør og tilleggsutstyr.
- Ikke bruk et skadet produkt. Følg vedlikeholdsskjemaet. Utfør bare vedlikehold som du finner instruksjoner om i denne bruksanvisningen. Et godkjent servicesenter må gjøre alt annet vedlikeholdsarbeid.
- Denne bruksanvisningen kan ikke dekke alle situasjoner som kan oppstå når du bruker produktet. Vær forsiktig, og bruk sunn fornuft. Ikke bruk produktet eller utfør vedlikehold av produktet hvis du ikke føler deg trygg i situasjonen. Snakk med en produkt ekspert, forhandleren, serviceverkstedet eller et godkjent servicesenter for mer informasjon.
- Koble fra tennpluggkabelen før du monterer produktet, setter produktet til oppbevaring eller utfører vedlikehold.
- Ikke bruk produktet hvis det er endret fra den opprinnelige spesifikasjonen. Ikke bytt en del av produktet uten godkjenning fra produsenten. Bruk bare deler som er godkjent av produsenten. Personskade eller død er mulige konsekvenser av feil vedlikehold.

- Ikke pust inn avgassene fra motoren. Langvarig innånding av motorens avgasser utgjør en helse risiko.
- Ikke start produktet innendørs eller i nærheten av brennbare materialer. Eksosen er varm og kan inneholde gnister som kan starte en brann. En utilstrekkelig luftstrøm kan føre til personskade eller dødsfall på grunn av kveling eller karbonmonoksidforgiftning.
- Motoren genererer et elektromagnetisk felt når du bruker dette produktet. Det elektromagnetiske feltet kan føre til skader på medisinske implantater. Snakk med legen din og produsenten av det medisinske implantatet før du bruker produktet.
- Ikke la barn bruke produktet. Ikke la en person uten kunnskap om instruksjonene bruke produktet.
- Sørg for at du alltid overvåker personer med redusert fysisk eller mental kapasitet når de bruker produktet. En ansvarlig voksen må alltid være til stede.
- Lås inn produktet et sted som barn og uautoriserte personer ikke har tilgang til.
- Produktet kan kaste ut løse gjenstander og forårsake personskade. Følg instruksjonene for å redusere faren for personskade eller død.
- Ikke forlat produktet når motoren er på.
- Brukeren av produktet er ansvarlig hvis det skjer en ulykke.
- Pass på at delene ikke er skadet, før du bruker produktet.
- Kontroller at du er minst 15 m unna andre personer eller dyr før du bruker produktet. Pass på at personer i nærheten vet at du kommer til å bruke produktet.
- Se nasjonale eller lokale lover. De kan forby eller begrense bruken av produktet under enkelte forhold.
- Ikke bruk produktet hvis du er trett eller påvirket av alkohol, andre rusmidler eller legemidler. Dette kan påvirke syn, oppmerksomhet, koordinasjon eller vurderingsevne.
- Flytt produktet 3 m unna stedet der du fylte drivstofftanken før du starter det. Plasser produktet på et flatt underlag. Pass på at skjæreutstyret ikke berører bakken eller andre gjenstander.
- Produktet kan kaste ut objekter, noe som kan føre til skader på øynene. Bruk alltid et godkjent øyevern når du bruker produktet.
- Vær forsiktig, et barn kan komme nær produktet under drift uten at du er klar over det.
- Bruk ikke produktet dersom det finnes andre personer i arbeidsområdet. Slå av produktet hvis en person går inn i arbeidsområdet.
- Pass på at du alltid har kontroll over produktet.
- Ikke bruk produktet hvis du ikke kan motta hjelp hvis det skjer en ulykke. Før du begynner å bruke produktet, må du alltid sørge for at andre vet at du skal bruke det.
- Ikke snu deg med produktet før du forsikrer deg om at ingen personer eller dyr er innenfor sikkerhetsområdet.
- Fjern alt uønsket materiale fra arbeidsområdet før du begynner. Hvis skjæreutstyret treffer et objekt, kan objektet bli kastet ut og forårsake personskade eller materiell skade. Uønsket materiale kan tvinne seg rundt skjæreutstyret og forårsake skade.
- Ikke bruk produktet i dårlig vær (tåke, regn, sterk vind, ved fare for lyn eller annet uvær). Farlige forhold (for eksempel glatte overflater) kan oppstå på grunn av dårlig vær.
- Sørg for at du kan bevege deg fritt og arbeide i en stabil stilling.

(Fig. 17)

- Pass på at du ikke risikerer å falle når du bruker produktet. Ikke len deg til siden når du bruker produktet.
- Hold alltid produktet med to hender. Hold produktet på høyre side av kroppen.

(Fig. 18)

- Bruk produktet med skjæreutstyret under hofte høyde.
- Hvis chokehendelen står i choke-stilling når motoren starter, begynner skjæreutstyret å rotere.
- Ikke berør vinkelgiret rett etter at motoren har stoppet. Vinkelgiret er varmt etter at motoren har stoppet. Varme områder kan forårsake skader.
- Stopp motoren før du flytter produktet.
- Ikke legg produktet ned mens motoren er på.
- Før du fjerner uønsket materiale fra produktet, må du stoppe motoren og vente til skjæreutstyret stoppes. Vent til skjæreutstyret stopper før du eller andre fjerner avklipt materiale.

## Personlig verneutstyr



**ADVARSEL:** Les de følgende advarslene før du bruker produktet.

- Fjern tennpluggetten fra tennpluggen før du monterer produktet.
- Bruk godkjente vernehansker.
- Sørg for at du monterer dekselet og riggrøret på riktig måte før du starter motoren.

## Sikkerhetsinstruksjoner for drift

- Kontroller at produktet er ferdig montert før du bruker det.



**ADVARSEL:** Les de følgende advarslene før du bruker produktet.



- Bruk alltid egnet personlig verneutstyr når du bruker produktet. Det personlige verneutstyret fjerner ikke risikoen for skader. Det personlige verneutstyret reduserer skadeomfanget hvis det skjer en ulykke.
- Bruk alltid et godkjent øyevern når du bruker produktet.
- Ikke bruk produktet uten sko eller med åpne sko. Bruk alltid kraftige sklisikre støvler.
- Bruk tykke langbukser.
- Bruk godkjente vernehansker hvis det er nødvendig.
- Bruk hjelm hvis det er mulig at du får objekter i hodet.
- Bruk alltid godkjent hørselsvern når du bruker produktet. Støy over en lang periode kan forårsake støyrelatert hørselsskade.
- Sørg for at du har et førstehjelpsett i nærheten.

## Sikkerhetsutstyr på produktet



**ADVARSEL:** Les de følgende advarslene før du bruker produktet.

- Ikke bruk produktet dersom sikkerhetsutstyret er defekt.
- Utfør regelmessig kontroll av sikkerhetsutstyret. Se *Produktoversikt på side 222*.
- Ta kontakt med din Husqvarna-serviceforhandler dersom sikkerhetsutstyret er defekt.

## Gassregulatorsperre

Gassregulatorsperren låser gassregulatoren. (Fig. 19)

Skyv på gassregulatorsperren (A) for å løse gassregulatoren (B). Når du slipper håndtaket, vil både gassregulatorsperren og gassregulatoren gå tilbake til utgangsstillingene sine.

1. Kontroller at gassregulatoren (B) er låst på tomgang når du slipper gassregulatorsperren (A).
2. Skyv gassregulatorsperren (A), og kontroller at den går tilbake til utgangsstillingen når du slipper den.
3. Skyv gassregulatoren (B), og kontroller at den går tilbake til utgangsstillingen når du slipper den.

Start motoren, og gi deretter full gass. Slipp gassregulatoren, og undersøk om skjæreutstyret stanser. Hvis skjæreutstyret roterer når gassregulatoren står i tomgangsstilling, må du undersøke justeringskruen på forgasseren.

## Stoppbryter

Start motoren. Forsikre deg om at motoren stopper når du flytter stoppbryteren til stoppstillingen.

(Fig. 20)

## Vern for skjæreutstyr

Beskyttelsesskjermen for skjæreutstyret hindrer at løse objekter kastes ut mot brukeren.

(Fig. 21)

Kontroller beskyttelsesskjermen for skjæreutstyret for skade, og skift den hvis den er skadet. Bruk bare godkjent beskyttelsesskjerm for skjæreutstyr.

## Lyddemper

- Ikke bruk en motor med defekt lyddemper. En defekt lyddemper øker lydnivået og brannfaren. Ha et brannslukningsapparat i nærheten.
- Kontroller regelmessig at lyddemperen er koblet til produktet.
- Ikke berør motoren eller lyddemperen når motoren er på. Ikke berør motoren eller lyddemperen på en stund etter at motoren har stoppet. Varme overflater kan forårsake personskade.
- En varm lyddemper kan forårsake brann. Vær forsiktig hvis du bruker produktet i nærheten av brennbare vesker eller damp.
- Ikke berør delene i lyddemperen hvis lyddemperen er skadet. Delene kan inneholde noen kreftframkallende kjemikalier.

## Skjæreutstyr



**ADVARSEL:** Les de følgende advarslene før du bruker produktet.

- Utfør regelmessig vedlikehold. La et godkjent servicesenter undersøke skjæreutstyret regelmessig for å gjøre justeringer eller reparasjoner.
  - Ytelsen til skjæreutstyret øker.
  - Levetiden til skjæreutstyret øker.
  - Risikoen for ulykker reduseres.
- Bruk bare godkjent beskyttelsesskjerm for skjæreutstyr. Du finner mer informasjon under *Tilbehør på side 232*.
- Ikke bruk skadet skjæreutstyr.

## Drivstoffsikkerhet



**ADVARSEL:** Les de følgende advarslene før du bruker produktet.

- Ikke bland drivstoff innendørs eller i nærheten av en varmekilde.
- Ikke start produktet hvis det er drivstoff eller motorolje på produktet. Fjern uønsket drivstoff/olje, og la produktet tørke. Fjern uønsket drivstoff fra produktet.
- Skift klær umiddelbart hvis du søler drivstoff på klærne.

- Ikke få drivstoff på kroppen, det kan føre til personskade. Bruk såpe og vann for å fjerne drivstoff hvis du får drivstoff på kroppen.
- Ikke start motoren hvis du søler olje eller drivstoff på produktet eller på kroppen din.
- Ikke start produktet hvis motoren lekker. Kontroller motoren for lekkasjer med jevne mellomrom.
- Vær forsiktig med drivstoff. Drivstoff er brannfarlig, og avgassene er eksplosive og kan forårsake personskade eller død.
- Ikke pust inn bensindamp, det kan føre til personskade. Pass på at det er tilstrekkelig luftstrøm.
- Du må ikke røyke i nærheten av drivstoff eller motoren.
- Ikke sett varme gjenstander i nærheten av drivstoff eller motoren.
- Ikke fyll på drivstoff når motoren er på.
- Kontroller at motoren er avkjølt før du fyller på drivstoff.
- Åpne tanklokket sakte og slipp ut trykket forsiktig før du fyller.
- Ikke fyll drivstoff på motoren innendørs. En utlstrømmet luftstrøm kan føre til personskade eller dødsfall på grunn av kveling eller karbonmonoksidforgiftning.
- Trekk til lokket på drivstofftanken forsiktig. Brann kan oppstå hvis du ikke gjør dette.
- Flytt produktet minst 3 m fra stedet du fylte tanken før du starter det.
- Ikke fyll for mye drivstoff på tanken.
- Kontroller at det ikke oppstår lekkasjer når du flytter produktet eller bensinkannen.

- Ikke plasser produktet eller en drivstoffbeholder i nærheten av åpen flamme, gnister eller pilotflamme. Pass på at det ikke er åpen flamme i oppbevaringsområdet.
- Bruk bare godkjente beholdere når du flytter drivstoff eller setter drivstoff til oppbevaring.
- Tøm drivstofftanken før lengre tids oppbevaring. Følg lokale lover om hvor du kan kassere drivstoff.
- Rengjør produktet før lengre tids oppbevaring.
- Fjern tennpluggkabelen før du setter produktet til oppbevaring for å sikre at motoren ikke starter ved et uhell.

## Sikkerhetsinstruksjoner for vedlikehold



**ADVARSEL:** Les de følgende advarslene før du utfører vedlikehold på produktet.

- Utfør bare vedlikehold og service oppgitt i denne bruksanvisningen. La profesjonelt servicepersonell gjøre alt annet av service og reparasjoner.
- Gjennomfør regelmessig sikkerhetskontrollene og vedlikeholds- og serviceinstruksjonene oppgitt i denne bruksanvisningen. Regelmessig vedlikehold øker levetiden til produktet og reduserer risikoen for ulykker. Se *Vedlikeholdsskjema på side 229* for instruksjoner.
- Hvis sikkerhetskontrollene i denne brukerhåndboken ikke blir godkjent etter at du har utført vedlikehold, kan du snakke med serviceforhandleren din. Vi garanterer at fagmessig reparasjon og service er tilgjengelig for produktet.

## Montering

### Innledning



**ADVARSEL:** Før du monterer produktet, må du lese og forstå kapittelet om sikkerhet.



**ADVARSEL:** Fjern tennpluggkabelen fra tennpluggen før du monterer produktet.

### Montere loophåndtaket

1. Monter loophåndtaket mellom pilene på riggrøret.
2. Trekk til bolten for å feste loophåndtaket til riggrøret. (Fig. 22)

### Montere skjæreutstyret

#### Slik monterer du vernet for skjæreutstyret

1. Fest vernet for skjæreutstyret (A) til riggrøret. (Fig. 23)

2. Sett braketten (B) inn i sporet på vernet for skjæreutstyret.
3. Sett bolten (C) inn gjennom hullet på braketten til vernet for skjæreutstyret.

#### Slik monterer du trimmerhodet

1. Kontroller at vernet for skjæreutstyret (A) er festet til produktet. Se *Slik monterer du vernet for skjæreutstyret på side 226*. (Fig. 24)
2. Kontroller at medbringerhjul (C) er festet til den utgående akselen (D).
3. Sett stjernenøkkelen (C) inn i hullet for å låse riggrøret.
4. Fest trimmerhodet (E) på den utgående akselen.
5. Drei trimmerhodet mot urviseren for å stramme det mot den utgående akselen. (Fig. 25)
6. Ta ut stjernenøkkelen.

# Bruk

## Innledning



**ADVARSEL:** Før du bruker produktet, må du lese og forstå kapittelet om sikkerhet.

## Drivstoff

Dette produktet har en totaktsmotor.



**OBS:** Feil type drivstoff kan føre til skader på motoren. Bruk en blanding av bensin og totaktsolje.

## Forhåndsblandet drivstoff

- Bruk Husqvarna forhåndsblandet alkylatdrivstoff av god kvalitet for å få best mulig ytelse og forlengelse av motorens levetid. Drivstoffet inneholder færre skadelige stoffer sammenlignet med vanlig drivstoff, noe som reduserer skadelige avgasser. Mengden rester etter forbrenning er lavere med dette drivstoffet, noe som holder motoren ren.

## Slik blander du drivstoff

### Bensin



**OBS:** Ikke bruk bensin med et oktantal som er mindre enn 90 RON (87 AKI). Dette kan skade produktet.



**OBS:** Ikke bruk bensin med mer enn 10 % etanolkonsentrasjon (E10). Dette kan skade produktet.

- Bruk alltid ny blyfri bensin med et minste oktantal på 90 RON (87 AKI) og med mindre enn 10 % etanolkonsentrasjon (E10).
- Bruk bensin med høyere oktantal hvis du ofte bruker produktet ved kontinuerlig høyt motorturtall.

### Totaktsolje

- For å få best mulig resultat og ytelse bør du bruke Husqvarna-totaktsolje.
- Hvis det ikke er mulig å få tak i Husqvarna-totaktsolje, kan du bruke en totaktsolje av høy kvalitet for luftkjølte motorer. Snakk med serviceforhandleren din for å velge riktig olje.



**OBS:** Bruk ikke totaktsolje beregnet på vannkjølte påhengsmotorer, såkalt outboardoil. Ikke bruk olje for firetaktsmotorer.

## Blande bensin og totaktsolje

Bensin, liter	Totaktsolje, liter
	<b>2 % (50:1)</b>
5	0,10
10	0,20
15	0,30
20	0,40



**OBS:** Små feil kan påvirke blandingsforholdet drastisk når du blander små mengder drivstoff. Mål oljemengden som skal blandes, svært nøyaktig for å sikre at du får riktig blandingsforhold.

(Fig. 26)

1. Fyll halve drivstoffmengden i en ren beholder for drivstoff.
2. Tilsett all oljen.
3. Rist drivstoffblandingen.
4. Fyll resten av bensinen på beholderen.
5. Rist drivstoffblandingen forsiktig.



**OBS:** Ikke bland drivstoff for mer enn én måned om gangen.

## Fylle drivstoff

- Bruk alltid en drivstoffbeholder med overfyllingsbeskyttelse.
- Hvis det er drivstoffrester i beholderen, må du fjerne uønsket drivstoff og la kannen tørke.
- Pass på at området i nærheten av lokket på drivstofftanken er rent.
- Rist drivstoffbeholderen før du fyller drivstoff på tanken.

## Gjøre en innkjøringskontroll

- I løpet av de første ti driftstimene må du ikke gi full gass uten belastning over lengre perioder.

## Starte og stoppe

### Ting å undersøke før start

1. Kontroller at produktet ikke har manglende, skadde, løse eller slitte deler.
2. Kontroller at mutre, skruer og bolter er trukket til.
3. Kontroller at trimmerhodet ikke er skadet.

4. Kontroller at luftfilteret ikke er tett.
5. Kontroller at sikkerhetsstyret på produktet ikke er defekt.
6. Kontroller at produktet ikke har noen drivstofflekkasjer.

### Slik starter du en kald motor

1. Trykk på pumpen ti ganger. (Fig. 27)
2. Trekk chokehendelen opp. (Fig. 28)
3. Hold produktet på bakken med venstre hånd. (Fig. 29) Ikke tråkk på produktet. Trekk sakte i startsnoren til du kjenner litt motstand. Trekk deretter hardt i startsnoren.

**Merk:** Ikke trekk i gassregulatoren mens du starter motoren.

4. Fortsett å trekke i startsnoren til motoren starter eller prøver å starte (maks. tre trekk). Hvis motoren starter eller prøver å starte, trykker du chokehendelen ned. Fortsett å trekke til motoren starter. Vent 60 sekunder etter start før du trekker i gassregulatoren.



**OBS:** Du må ikke trekke i startsnoren før den stopper. Ikke slipp startsnoren når den er helt ute. Slipp startsnoren langsomt. Hvis du ikke følger disse instruksjonene, kan det føre til skade på motoren.

### Starte en varm motor

1. Trykk på pumpen ti ganger.
2. Trekk i startsnoren til motoren starter.

### Starte motoren når drivstoffet er for varmt

Hvis produktet ikke starter, kan drivstoffet bli for varmt.

**Merk:** Bruk alltid nytt drivstoff, og reduser driftstiden under varmt vær.

1. Plasser produktet på et kjølig sted vekk fra sollys.
2. La produktet avkjøles i minst 20 minutter.
3. Trykk på pumpen igjen og igjen i 10–15 sekunder.
4. Følg prosedyren for å starte en kald motor. Se *Slik starter du en kald motor på side 228*.

### Stoppe

- Trykk på stoppbryteren for å stoppe motoren. (Fig. 30)

**Merk:** Stoppbryteren går automatisk tilbake til utgangsstillingen.

## Betjene gresstrimmeren



**OBS:** Pass på at du setter motoren sakte ned til tomgangsturtall etter hver bruk. En lang periode med full gass uten belastning på motoren kan føre til skade på motoren.

**Merk:** Rengjør dekelet på trimmerhodet når du fester ny trimmertråd for å hindre vibrasjoner. Undersøk de andre delene av skjærehodet, og rengjør dem hvis det er nødvendig.

### Trimme gress

1. Hold trimmerhodet like over bakken, og vipp det lett. Ikke skyv trimmertråden ned i gresset. (Fig. 31)
2. Reduser lengden på trimmertråden med 10–12 cm.
3. Reduser motorens turtall for å redusere faren for å skade planter.
4. Bruk 80 % gass når du klipper gresset i nærheten av objekter. (Fig. 32)

### Klippe gresset

1. Kontroller at gresstrimmertråden er parallell med bakken når du klipper. (Fig. 33)
2. Ikke dytt trimmerhodet ned i bakken. Bakken og produktet kan bli skadet.
3. Ikke la trimmerhodet berøre bakken kontinuerlig, det kan føre til skade på trimmerhodet.
4. Bruk full gass når du beveger produktet fra side til side for å klippe gress. Kontroller at gresstrimmertråden er parallell med bakken. (Fig. 34)

## Gresstrimmerhode

- Pass på at du tvinner gresstrimmertråden stramt og jevnt rundt trommelen for å redusere vibrasjon.
- Bruk bare godkjente gresstrimmerhoder og gresstrimmertråder. Se *Tilbehør på side 232*.
- Bruk riktig lengde på gresstrimmertråden. En lang gresstrimmertråd bruker mer motorkraft enn et kort gresstrimmertråd.
- Pass på at kapperen på beskyttelsesskjermen for skjæreutstyret ikke er skadet.
- Bløtlegg gresstrimmertråden i vann i to dager før du fester gresstrimmertråden til produktet. Dette øker levetiden til gresstrimmertråden.

### Skifte trimmertråd

- (Fig. 35)
- (Fig. 36)
- (Fig. 37)
- (Fig. 38)
- (Fig. 39)
- (Fig. 40)
- (Fig. 41)
- (Fig. 42)

---

# Vedlikehold

---

## Innledning



**ADVARSEL:** Før du utfører vedlikeholdsarbeid, må du lese og forstå kapittelet om sikkerhet.

For alt vedlikehold og reparasjonsarbeid på produktet er det nødvendig med spesiell opplæring. Vi garanterer fagmessig reparasjon og service. Hvis forhandleren ikke er et serviceverksted, må du snakke med dem for å få informasjon om nærmeste serviceverksted.

## Vedlikeholdsskjema

### Ukentlig ettersyn

- Rengjør de utvendige flatene.
- Kontroller at skjæreutstyret ikke er i bevegelse på tomgang. Se *Justere tomgangsturtallet på side 229*.
- Undersøk oljenivået i vinkelgiret. Se *Påføre fett på vinkelgiret på side 230*.

### Månedlig ettersyn

- Kontroller at startsnorhåndtaket og startsnoren ikke er skadet.

### Årlig vedlikehold

- Kontroller tennpluggen. Se *Kontrollere tennpluggen på side 229*
- Rengjør de utvendige flatene på forgasseren og tilstøtende områder.
- Rengjør kjølesystemet.
- Kontroller gnistfangerskjermen. Se *Utføre vedlikehold av gnistfangerskjermen på side 229*.
- Kontroller drivstoffilteret.
- Kontroller at drivstoffslangen ikke er skadet.
- Kontroller at kablene og koblingene på produktet ikke er skadet.

## Justere tomgangsturtallet

- Kontroller at luftfilteret er rent og at luftfilterlokket er festet før du justerer tomgangsturtallet.
  - Juster tomgangsturtallet med tomgangsskruen, som er merket med «T».
  - Tomgangsturtallet er korrekt når motoren går jevnt i alle stillinger. Tomgangsturtallet må være lavere enn hastigheten når skjæreutstyret begynner å rotere.
1. Vri tomgangsskruen med urviseren til skjæreutstyret begynner å rotere. (Fig. 43)
  2. Vri tomgangsskruen mot urviseren til skjæreutstyret stanser.

## Utføre vedlikehold av gnistfangerskjermen

Bruk en stålborste for å rengjøre gnistfangerskjermen.

(Fig. 44)

## Rengjøre kjølesystemet

Rengjør delene til kjølesystemet med en børste.

(Fig. 45)

## Kontrollere tennpluggen



**OBS:** Bruk anbefalt tennplugg. Pass på at den nye delen er av samme type som delen produsenten leverte. Feil tennplugg kan føre til skade på produktet.

1. Kontroller tennpluggen når
  - a) motoren har liten kraft
  - b) motoren ikke er lett å starte
  - c) motoren ikke fungerer korrekt på tomgang
2. Se etter uønsket materiale på tennpluggen hvis motoren ikke er lett å starte og betjene. Redusere risikoen for uønsket materiale på tennpluggenes elektroder:
  - a) Pass på at tomgangsturtallet er riktig justert.
  - b) Pass på at drivstoffblandingen er riktig.
  - c) Kontroller at luftfilteret er rent.
3. Rengjør tennpluggen hvis den er skitten. Kontroller at elektrodeavstanden er riktig. (Fig. 46)
4. Skift tennpluggen når det er nødvendig.

## Utføre vedlikehold av luftfilteret

### Rengjøre luftfilteret

1. Ta av luftfilterdekelet og fjern luftfilteret. (Fig. 47)
2. Rengjør luftfilteret med varmt såpevann. Sørg for at luftfilteret er tørt før du monterer det.
3. Skift luftfilteret hvis det er for skittent til å rengjøres ordentlig. Bytt alltid ut skadet luftfilter.
4. Påfør luftfilterolje hvis produktet har et luftfilter i skum. Påfør luftfilterolje bare på et skumfilter. Ikke påfør olje på et filfilter.

### Påføre luftfilterolje på luftfilteret



**OBS:** Bruk alltid spesiell luftfilterolje på luftfilter i skum. Ikke bruk andre typer olje.



**ADVARSEL:** Ikke få olje på kroppen din.

1. Ta av luftfilterdekelet og fjern luftfilteret. (Fig. 48)

2. Putt luffilteret i en plastpose.
3. Putt luffilteroljen i plastposen. (Fig. 49)
4. Dytt på plastposen for å sikre at oljen er likt fordelt over luffilteret.
5. Trykk på luffilteret, mens det er i posen, for å fjerne overflødig luffilterolje. Fjern luffilteret fra posen.

6. Monter luffilteret.

## Påføre fett på vinkelgiret

Kontroller at vinkelgiret er 3/4 fullt med vinkelgirfett.

(Fig. 50)

---

## Feilsøking

---

### Motoren starter ikke

Kontroll	Mulig årsak	Prosedyre
Stoppbryter.	Stoppbryteren er i stoppstillingen.	Still stoppbryteren i startstilling.
Starthaker.	Starthakene beveger seg ikke fritt.	Fjern starterdekselet, og rengjør rundt starthakene. Få hjelp fra et godkjent serviceverksted.
Drivstofftank.	Feil drivstofftype.	Tøm drivstofftanken, og fyll på med riktig drivstoff.
Tennplugg.	Tennpluggen er skitten eller våt.	Kontroller at tennpluggen er tør og ren.
	Tennpluggens elektrodeavstand er feil.	Rengjør tennpluggen. Kontroller at elektrodeavstanden er riktig. Kontroller at tennpluggen har støydemping. Se Tekniske data for riktig elektrodeavstand.
	Tennpluggen er løs.	Stram til tennpluggen.

### Motoren starter, men stopper igjen

Kontroll	Mulig årsak	Prosedyre
Drivstofftank	Feil drivstofftype.	Tøm drivstofftanken, og fyll den med riktig drivstoff.
Luffilter	Luffilteret er tett.	Rengjør luffilteret.

---

## Transport, oppbevaring og avhending

---

### Transport og oppbevaring

- La produktet avkjøles før transport eller oppbevaring.
- Fjern tennpluggen før lengre tids oppbevaring.
- Fest produktet under transport. Kontroller at det ikke kan bevege seg.
- Kontroller at det ikke er noen fare for drivstofflekkasjer, bensindamp, gnister eller flammer under transport og oppbevaring.
- Rengjør og utfør vedlikehold av produktet før lengre tids oppbevaring.

## Tekniske data

### Tekniske data

	<b>325L</b> <b>A05328CSHV</b>
<b>Motor</b>	
Sylindervolum, cm <sup>3</sup>	27,6
Tomgangsturtall, o/min	2800–3200
Anbefalt maks. turtall, o/min	8000
Effekt / maks. motoreffekt ifølge ISO 8893, kW/hk ved o/min	0,9/1,2 @ 8000
Katalysatorlyddemper	Ja
Turtall på utgående aksel, o/min	7200
<b>Tenningsystem</b>	
Tennplugg	Husqvarna HQT-4
Elektrodeavstand, mm	0,5
<b>Drivstoffsystem</b>	
Drivstofftankvolum, l/cm <sup>3</sup>	0,343/343
<b>Produktmål</b>	
Vekt (uten skjæreutstyr), kg	5,0
<b>Støynivå<sup>52</sup></b>	
Lydeffektnivå, garantert (L <sub>WA</sub> ), dB(A)	114
Lydeffektnivå, målt, dB(A)	110
<b>Lydnivåer<sup>53</sup></b>	
Lydtrykknivå ved brukerens øre, utstyrt med trimmerhode, dB(A)	93
<b>Vibrasjonsnivåer<sup>54</sup></b>	
Ekvivalent vibrasjonsnivå (ahv, eq), utstyrt med trimmerhode, venstre håndtak, m/s <sup>2</sup>	4,2
Ekvivalent vibrasjonsnivå (ahv, eq), utstyrt med trimmerhode, høyre håndtak, m/s <sup>2</sup>	6,1

<sup>52</sup> Utslipp av støy til omgivelsene målt som lydeffekt (L<sub>WA</sub>) samsvarer med EF-direktiv 2000/14/EF. Rapporterte lydeffektnivåer for produktet er målt med det originale skjæreutstyret som gir høyest nivå. Forskjellen mellom garantert og målt lydeffekt er at garantert lydeffekt også omfatter spredning i måleresultatet og variasjoner mellom forskjellige produkter av samme modell, i henhold til direktivet 2000/14/EF.

<sup>53</sup> Rapporterte data for ekvivalent lydtrykknivå for maskinen har en typisk statistisk spredning (standardavvik) på 1 dB(A).

<sup>54</sup> Rapporterte data for ekvivalent vibrasjonsnivå har en typisk statistisk spredning (standardavvik) på 1 m/s<sup>2</sup>.

---

## Tilbehør

---

### Tilbehør

Godkjent tilbehør	Type	Vern for skjæreutstyr
Gjenget riggrør	M10L	
Trimmerhode	T35, Ø 2,4 mm	588 54 37-01



---

## EF-samsvarserklæring

---

### Innholdet i EF-samsvarserklæringen

Vi, Husqvarna AB, SE 561 82 Huskvarna, SVERIGE, erklærer under eneansvar at dette produktet:

Beskrivelse	Bensindrevet gresstrimmer/ryddesag
Merke	Husqvarna
Plattform/type/modell	Plattform A05328CSHV, som representerer modellen 325L
Parti	Serienummer datert 2018 og senere

fullstendig overholder følgende EU-direktiver og -forskrifter:

Direktiv/regulering	Beskrivelse
2006/42/EF	«angående maskiner»
2014/30/EU	«angående elektromagnetisk kompatibilitet»
2000/14/EF	«angående utendørsstøy»
2011/65/EU	«angående begrensning av bruken av bestemte farlige stoffer»

Harmoniserte standarder og/eller tekniske spesifikasjoner anvendt er som følger: EN ISO 12100, EN ISO 11806-1, CISPR 12, ISO 14982, EN 50581:2012.

I samsvar med direktivet 2000/14/EF, tillegg V står de oppgitte lydverdiene oppført i kapittelet om tekniske data i denne håndboken og i den signerte EF-samsvarserklæringen.

TÜV Rheinland N.A. har utført en frivillig typekontroll på vegne av Husqvarna AB, som bekrefter at en utstyrstype er i overensstemmelse med EF-direktiv 2006/42/EF om maskiner.

Sertifikatet, som følger med den signerte EF-samsvarserklæringen, gjelder for alle produksjonssteder og opprinnelsesland, slik det står oppgitt på produktet.

Medfølgende bensindrevet gresstrimmer/ryddesag er i samsvar med det eksemplaret som undergikk undersøkelsen.

---

## SPIS TREŚCI

---

Wstęp.....	234	Rozwiązywanie problemów.....	243
Bezpieczeństwo.....	235	Transport, przechowywanie i utylizacja.....	243
Montaż.....	239	Dane techniczne.....	244
Obsługa.....	239	Akcesoria.....	245
Konserwacja.....	241	Deklaracja zgodności WE.....	246

---

## Wstęp

---

### Instrukcja obsługi

Oryginalnym językiem niniejszej instrukcji obsługi jest angielski. Instrukcje obsługi w innych językach są tłumaczone z angielskiego.

### Przeznaczenie

Produkt jest używany z głowicą żyłkową do koszenia trawy. Nie używać produktu do innych zadań niż przycinanie trawy i wykaszanie trawy.

### Przegląd produktu

(Rys. 1)

1. Głowica żyłkowa
2. Korek wlewu smaru
3. Przekładnia zębata stożkowa
4. Osłona osprzętu tnącego
5. Walek
6. Uchwyt pętłowy
7. Spust przepustnicy
8. Wyłącznik
9. Blokada wyzwalania przepustnicy
10. Nasadka świecy, świeca zapłonowa
11. Obudowa rozrusznika
12. Rączka linki rozrusznika
13. Zbiornik paliwa
14. Pokrywa filtra powietrza
15. Pompka zastrzykowa
16. Dźwignia ssania
17. Pierścień sprzęgający
18. Instrukcja obsługi
19. Klucz gwiazdkowy

przeczytać i przestrzegać wszystkich zaleceń zawartych w niniejszej instrukcji obsługi.

(Rys. 3) Przed przystąpieniem do pracy prosimy dokładnie i ze zrozumieniem zapoznać się z treścią niniejszej instrukcji obsługi.

(Rys. 4) Stosować atestowane środki ochrony słuchu. Stosować atestowane środki ochrony oczu.

(Rys. 5) Należy pamiętać o niebezpieczeństwie wyrzucania cząstek ciał stałych, które mogą spowodować obrażenia ciała.

(Rys. 6) Maksymalna prędkość wałka zdawczego.

(Rys. 7) Podczas korzystania z produktu należy zachować minimalną odległość 15 m / 50 stóp od innych osób lub zwierząt.

(Rys. 8) Używać tylko elastycznej żyłki

(Rys. 9) Nie używać metalowego osprzętu tnącego

(Rys. 10) Strzałki wskazują ograniczenia pozycji uchwytu.

(Rys. 11) Pompka zastrzykowa.

(Rys. 12) Ssanie.

(Rys. 13) Uzupełnianie paliwa.

(Rys. 14) Emisja hałasu do otoczenia zgodna z dyrektywą Wspólnoty Europejskiej.

### Symbole znajdujące się na produkcie

(Rys. 2) **OSTRZEŻENIE!** Ten produkt może być niebezpieczny. W następstwie nieuważnej lub nieprawidłowej obsługi może dojść do obrażeń ciała lub śmierci operatora bądź innych osób. Aby zapobiec obrażeniom ciała u operatora oraz osób postronnych należy

Informacje dotyczące hałasu emitowanego przez urządzenie znajdują się w rozdziale „Dane techniczne” oraz na etykiecie.

(Rys. 15) Maszyna jest zgodna z odpowiednimi dyrektywami Komisji Europejskiej.

(Rys. 16) Maszyna jest zgodna z odpowiednimi dyrektywami EAC.

Tabliczka znamionowa z numerem seryjnym.  
**yyyy** oznacza rok produkcji,  
**ww** oznacza tydzień produkcji, a  
**xxxx** to numer seryjny.

yyyywwxxxx

**Uwaga:** Pozostałe symbole/naklejki samoprzylepne umieszczone na produkcie dotyczą wymogów

związanych z certyfikatami w innych obszarach komercyjnych.

## Odpowiedzialność za produkt

Zgodnie z przepisami dotyczącymi odpowiedzialności za produkt nie ponosimy odpowiedzialności za szkody spowodowane przez nasz produkt, jeśli:

- produkt jest nieprawidłowo naprawiany.
- produkt jest naprawiany przy użyciu części niepochozących od producenta lub niezatwierdzonych przez producenta.
- produkt jest wyposażony w akcesoria niepochozące od producenta lub niezatwierdzone przez producenta.
- produkt nie jest naprawiany w autoryzowanym centrum serwisowym lub przez autoryzowaną placówkę.

## UE V



**OSTRZEŻENIE:** Ingerencja w silnik powoduje unieważnienie europejskiego zatwierdzenia typu produktu.

# Bezpieczeństwo

## Definicje dotyczące bezpieczeństwa

Ostrzeżenia, uwagi i informacje są używane do zwrócenia uwagi na szczególnie ważne sekcje instrukcji obsługi.



**OSTRZEŻENIE:** Stosuje się, gdy istnieje ryzyko poważnych obrażeń lub śmierci operatora albo osób postronnych w wyniku nieprzestrzegania instrukcji obsługi.



**UWAGA:** Stosuje się, gdy istnieje ryzyko uszkodzenia produktu, innych materiałów lub otoczenia w wyniku nieprzestrzegania instrukcji obsługi.

**Uwaga:** stosuje się, aby przekazać więcej informacji, które są przydatne w danej sytuacji.

## Zasady bezpieczeństwa związane z emisją drgań

Ten produkt jest przeznaczony tylko do sporadycznego użytkowania. Ciągłe lub regularne użytkowanie produktu może prowadzić do choroby zwanej „białymi palcami” lub podobnych problemów medycznych wynikających z drgań. Sprawdź stan dłoni i palców w przypadku ciągłego lub regularnego użytkowania produktu. W przypadku odbarwienia dłoni lub palców, bólu,

mrowienia lub braku czucia należy wstrzymać pracę i natychmiast skonsultować się z lekarzem.

## Ogólne zasady bezpieczeństwa



**OSTRZEŻENIE:** Przed rozpoczęciem użytkowania produktu przeczytać następujące ostrzeżenia.

- Należy prawidłowo używać maszyny. Nieprawidłowe używanie grozi obrażeniami lub śmiercią. Maszyny należy używać wyłącznie do zadań opisanych w niniejszej instrukcji. Nie używać produktu do innych zadań.
- Przestrzegać informacji zawartych w niniejszej instrukcji. Stosować się do symboli i zasad bezpieczeństwa. W przypadku nieprzestrzegania instrukcji i symboli istnieje ryzyko wystąpienia obrażeń, uszkodzeń lub śmierci.
- Nie wolno wyrzucać tej instrukcji. Należy stosować się do instrukcji montażu, obsługi i konserwacji produktu. Należy stosować się do instrukcji montażu osprzętu i akcesoriów. Stosować wyłącznie zatwierdzony osprzęt i akcesoria.
- Nie wolno używać uszkodzonego produktu. Przestrzegać planu konserwacji. Przeprowadzać wyłącznie te prace konserwacyjne, które są opisane w tej instrukcji. Wszystkie inne prace konserwacyjne muszą być wykonywane przez autoryzowane centrum serwisowe.

- Niniejsza instrukcja nie obejmuje wszystkich sytuacji, które mogą wystąpić podczas używania produktu. Należy zachować ostrożność i kierować się zdrowym rozsądkiem. Nie wolno obsługiwać produktu lub wykonywać prac konserwacyjnych w przypadku braku pewności co do danej sytuacji. Skontaktować się ze specjalistą ds. produktu, dealerem, warsztatem obsługi technicznej lub autoryzowanym centrum serwisowym w celu uzyskania informacji.
- Przed przystąpieniem do montażu lub konserwacji oraz na czas długiego przechowywania maszyny odłączyć świecę zapłonową.
- Nie używać produktu w przypadku zmiany jego początkowych specyfikacji. Nie wymieniać części maszyny bez zgody producenta. Używać wyłącznie części zatwierdzonych przez producenta. Nieprawidłowa konserwacja może doprowadzić do obrażeń lub śmierci.
- Nie wdychać spalin z silnika. Długotrwałe wdychanie spalin silnika stanowi zagrożenie dla zdrowia.
- Nigdy nie włączać urządzenia w pomieszczeniach zamkniętych lub w pobliżu materiałów łatwopalnych. Spaliny mają wysoką temperaturę, a ponadto mogą wraz z nimi wydostawać się iskry, dlatego stanowią zagrożenie pożarowe. Niewystarczający przepływ powietrza może doprowadzić do obrażeń lub śmierci na skutek uduszenia lub zatrucia tlenkiem węgla.
- Podczas używania maszyny silnik wytwarza pole elektromagnetyczne. Może ono spowodować uszkodzenie implantów medycznych. Przed użyciem produktu należy skontaktować się z lekarzem oraz producentem implantu medycznego.
- Nie pozwalać dzieciom używać maszyny. Nie pozwalać osobom nieznającym instrukcji na korzystanie z produktu.
- Należy zawsze kontrolować osobę o ograniczonych możliwościach fizycznych lub umysłowych podczas używania produktu. Zawsze musi jej towarzyszyć odpowiedzialna osoba dorosła.
- Przechowywać maszynę w miejscu niedostępnym dla dzieci i nieuprawnionych osób.
- Maszyna może wyrzucać przedmioty i powodować obrażenia. Należy przestrzegać zasad bezpieczeństwa, aby zmniejszyć ryzyko odniesienia obrażeń lub śmierci.
- Nie odchodzić od maszyny podczas pracy silnika.
- Operator maszyny jest odpowiedzialny za ewentualne wypadki.
- Przed przystąpieniem do używania produktu upewnić się, że części nie są uszkodzone.
- Zachować odległość co najmniej 15 m (50 stóp) od innych osób lub zwierząt przed przystąpieniem do używania maszyny. Powiadomić osoby przebywające w pobliżu o zamiarze używania maszyny.
- Stosować się do przepisów krajowych lub lokalnych. Mogą one zabraniać lub ograniczać używanie produktu w niektórych sytuacjach.

- Osoba, która jest zmęczona lub pod wpływem alkoholu, narkotyków lub lekarstw nie może obsługiwać urządzenia. Wymienione substancje mogą negatywnie wpływać na wzrok, zdolność oceny sytuacji i panowanie nad wykonywanymi ruchami.

## Instrukcje bezpieczeństwa dotyczące montażu



**OSTRZEŻENIE:** Przed rozpoczęciem użytkowania produktu przeczytać następujące ostrzeżenia.

- Przed rozpoczęciem montażu produktu odłączyć fajkę świecy zapłonowej od świecy zapłonowej.
- Stosować rękawice ochronne.
- Przed uruchomieniem silnika upewnić się, że osłona i wałek są zamontowane prawidłowo.

## Instrukcje bezpieczeństwa dotyczące obsługi

- Przed przystąpieniem do używania produktu upewnić się, że jest on w pełni zmontowany.
- Przed uruchomieniem odsunąć się na odległość 3 m (10 stóp) od miejsca napełniania zbiornika paliwa. Umieścić maszynę na płaskiej powierzchni. Upewnić się, że osprzęt tnący nie dotyka podłoża lub innego przedmiotu.
- Należy pamiętać o niebezpieczeństwie wyrzucania przedmiotów, które mogą spowodować uszkodzenie wzroku. Podczas używania maszyny zawsze stosować zatwierdzoną osłonę oczu.
- Należy zachować ostrożność, ponieważ dziecko może niezauważenie podejść w pobliże urządzenia podczas jego pracy.
- Nie używać maszyny, jeśli w obszarze pracy znajdują się osoby trzecie. Zatrzymać maszynę, jeśli inna osoba znajdzie się w obszarze pracy.
- Zawsze należy zapewniać kontrolę nad maszyną.
- Nie używać maszyny, jeśli otrzymanie pomocy w razie wypadku będzie niemożliwe. Przed przystąpieniem do używania maszyny należy zawsze poinformować wszystkich o zamiarze rozpoczęcia pracy.
- Przed obróceniem się z maszyną należy upewnić się, że wszystkie osoby i zwierzęta znajdują się w bezpiecznym obszarze.
- Przed rozpoczęciem pracy usunąć wszystkie niechciane materiały z obszaru pracy. Jeśli osprzęt tnący zderzy się z jakimś przedmiotem, przedmiot ten może zostać wyrzucony i spowodować obrażenia lub straty materialne. Niechciane materiały mogą owinąć się wokół osprzętu tnącego i spowodować uszkodzenia.
- Nie należy używać produktu przy złej pogodzie (we mgle, w deszczu, przy silnym wietrze, gdy istnieje prawdopodobieństwo wystąpienia burzy lub innych

niekorzystnych zjawisk atmosferycznych). Niebezpieczne sytuacje (np. śliska powierzchnia) mogą być spowodowane złą pogodą.

- Należy zapewnić sobie możliwość swobodnego poruszania i pracy w stabilnej pozycji.

(Rys. 17)

- Należy zabezpieczyć się przed upadkiem podczas używania produktu. Nie pochylać się podczas używania produktu.
- Zawsze należy trzymać maszynę dwiema rękami. Trzymać produkt po prawej stronie tułowia.

(Rys. 18)

- Obsługiwać urządzenie z osprzętem tnącym poniżej pasa.
- Jeśli dźwignia ssania znajduje się w położeniu ssania w momencie uruchomienia silnika, osprzęt tnący zaczyna się obracać.
- Nie dotykać przekładni zębatej stożkowej po zatrzymaniu silnika. Przekładnia zębata stożkowa może być gorąca. Dotknięcie gorącego obszaru może spowodować obrażenia.
- Wyłączyć silnik przed przemieszczeniem maszyny.
- Nie odkładać maszyny podczas pracy silnika.
- Przed usunięciem niechcianych materiałów z maszyny zatrzymać silnik i poczekać na zatrzymanie osprzętu tnącego. Poczekać na zatrzymanie osprzętu tnącego przed usunięciem ciężego materiału.

## Środki ochrony osobistej



**OSTRZEŻENIE:** Przed rozpoczęciem użytkowania produktu przeczytać następujące ostrzeżenia.

- Zawsze należy stosować prawidłowe środki ochrony osobistej podczas używania produktu. Środki ochrony osobistej nie eliminują ryzyka odniesienia obrażeń. Środki ochrony osobistej zmniejszają powagę obrażeń w razie wystąpienia wypadku.
- Podczas używania produktu zawsze stosować zatwierdzoną osłonę oczu.
- Nie obsługiwać produktu boso lub w otwartym obuwiu. Zawsze nosić wytrzymałe buty z podeszwami zapobiegającymi poślizgnięciu.
- Stosować wytrzymałe, długie spodnie.
- Jeśli to konieczne, nosić zatwierdzone rękawice ochronne.
- Stosować kask, jeśli istnieje ryzyko spadnięcia przedmiotów na głowę.
- Podczas używania produktu zawsze stosować zatwierdzone środki ochrony słuchu. Narażenie na działanie hałasu przez długi czas może spowodować utratę słuchu.
- Należy zadbać o dostępność zestawu pierwszej pomocy.

## Zespoły zabezpieczające na urządzeniu



**OSTRZEŻENIE:** Przed rozpoczęciem użytkowania produktu przeczytać następujące ostrzeżenia.

- Nie należy używać maszyny z uszkodzonymi urządzeniami zabezpieczającymi.
- Regularnie przeprowadzać kontrole urządzeń zabezpieczających. Patrz *Przegląd produktu na stronie 234*.
- Jeśli urządzenia zabezpieczające są uszkodzone, skontaktować się z warsztatem obsługi technicznej Husqvarna.

### Blokada wyzwalania przepustnicy

Blokada wyzwalania przepustnicy służy do blokady manetki gazu.

(Rys. 19)

Nacisnąć blokadę wyzwalania przepustnicy (A), aby zwolnić manetkę gazu (B). Gdy uchwyt zostanie zwolniony, blokada wyzwalania przepustnicy i manetka gazu powracają do pierwotnego położenia.

1. Manetka gazu (B) musi być zablokowana w położeniu biegu jałowego na czas zwalniania blokady wyzwalania przepustnicy (A).
2. Nacisnąć blokadę wyzwalania przepustnicy (A) i sprawdzić, czy po zwolnieniu powraca ona do pierwotnego położenia.
3. Nacisnąć manetkę gazu (B) i sprawdzić, czy po zwolnieniu powraca ona do pierwotnego położenia.

Uruchomić silnik i nacisnąć manetkę do oporu. Zwolnić manetkę gazu i sprawdzić, czy osprzęt tnący zatrzymuje się. Jeśli osprzęt tnący obraca się przy przepustnicy w położeniu biegu jałowego, sprawdzić śrubę regulacji obrotów biegu jałowego gaźnika.

### Wyłącznik

Uruchomić silnik. Sprawdzić, czy silnik wyłącza się po przestawieniu wyłącznika do pozycji zatrzymania.

(Rys. 20)

### Osłona osprzętu tnącego

Osłona osprzętu tnącego zapobiega odrzuceniu luźnego przedmiotu w kierunku operatora.

(Rys. 21)

Sprawdzić osłonę osprzętu tnącego pod kątem uszkodzeń i w razie potrzeby wymienić ją. Używać wyłącznie zatwierdzonej osłony osprzętu tnącego.

### Tłumik

- Nie używać silnika z uszkodzonym tłumikiem. Uszkodzony tłumik zwiększa poziom hałasu i ryzyko pożaru. Przechowywać gaśnicę w pobliżu.
- Regularnie sprawdzać, czy tłumik jest przymocowany do maszyny.

- Nie dotykać silnika ani tłumika podczas pracy silnika. Nie dotykać silnika ani tłumika przez pewien czas po zatrzymaniu silnika. Dotknięcie gorącej powierzchni może spowodować obrażenia.
- Gorący tłumik może wywołać pożar. Należy zachować ostrożność w przypadku używania produktu w pobliżu łatwopalnych cieczy lub oparów.
- Nie dotykać części tłumika, jeśli jest on uszkodzony. Części mogą zawierać rakotwórcze środki chemiczne.

## Osprzęt tnący



**OSTRZEŻENIE:** Przed rozpoczęciem użytkowania produktu przeczytać następujące ostrzeżenia.

- Wykonywać regularne prace konserwacyjne. Autoryzowane centrum serwisowe powinno regularnie sprawdzać osprzęt tnący w celu przeprowadzenia regulacji lub napraw.
  - Wzrasta wydajność osprzętu tnącego.
  - Wydłuża się żywotność osprzętu tnącego.
  - Zmniejsza się ryzyko wypadków.
- Używać wyłącznie zatwierdzonej osłony osprzętu tnącego. Więcej informacji znajduje się w rozdziale *Akcesoria na stronie 245*.
- Nie wolno używać uszkodzonego osprzętu tnącego.

## Zasady bezpieczeństwa dotyczące paliwa



**OSTRZEŻENIE:** Przed rozpoczęciem użytkowania produktu przeczytać następujące ostrzeżenia.

- Nie mieszać paliwa wewnątrz pomieszczeń ani w pobliżu źródła ciepła.
- Nie uruchamiać produktu, jeśli znajduje się na nim paliwo lub olej silnikowy. Usunąć zabrudzenia paliwem/olejem i odczekać, aż produkt wyschnie. Usunąć niepożądane paliwo z produktu.
- W przypadku rozlania paliwa na ubranie należy je natychmiast zmienić.
- Nie dopuścić do kontaktu paliwa z ciałem, ponieważ może to spowodować obrażenia. Jeśli dojdzie do kontaktu paliwa z ciałem, zmyć paliwo używając wody z mydłem.
- Nie uruchamiać silnika, jeśli doszło do rozlania paliwa lub oleju na maszynę lub na ciało.
- Nie uruchamiać maszyny, jeśli silnik jest nieszczelny. Regularnie sprawdzać silnik pod kątem nieszczelności.
- Zachować ostrożność przy pracy z paliwem. Paliwo jest łatwopalne, a jego opary mogą wybuchnąć, powodując obrażenia lub śmierć.
- Nie wdychać oparów paliwa, ponieważ może to być groźne dla zdrowia lub życia. Zapewnić odpowiednią wentylację.
- Nie palić tytoniu w pobliżu paliwa lub silnika.

- Nie umieszczać gorących przedmiotów w pobliżu paliwa lub silnika.
- Nie dolewać paliwa podczas pracy silnika.
- Przed tankowaniem upewnić się, że silnik jest zimny.
- Przed tankowaniem pomału odkręcić korek zbiornika paliwa i ostrożnie zwolnić ciśnienie.
- Nie dolewać paliwa do silnika w zamkniętym pomieszczeniu. Niewystarczający przepływ powietrza może doprowadzić do obrażeń lub śmierci na skutek uduszenia lub zatrucia tlenkiem węgla.
- Dokładnie dokręcić korek zbiornika paliwa, aby nie dopuścić do pożaru.
- Przed uruchomieniem przesunąć produkt o co najmniej 3 m (10 stóp) od miejsca, w którym było dolewane paliwo.
- Nie wlewać zbyt dużo paliwa do zbiornika.
- Podczas ruchu produktu lub pojemnika na paliwo istnieje niebezpieczeństwo wycieku paliwa. Podjąć odpowiednie działania, aby nie dopuścić do wycieku.
- Nie umieszczać produktu lub pojemnika na paliwo w pobliżu otwartego płomienia, iskry lub płomienia zapłonowego. Należy upewnić się, że w miejscu przechowywania nie ma źródła otwartego płomienia.
- Do transportu i przechowywania paliwa należy używać wyłącznie zatwierdzonych zbiorników.
- Opróżnić zbiornika paliwa przed długim przechowywaniem. Przestrzegać lokalnych przepisów dotyczących utylizacji paliwa.
- Wyczyścić maszynę przed długim przechowywaniem.
- Odłączyć przewód świecy zapłonowej przed przechowywaniem produktu, aby uniemożliwić przypadkowe uruchomienie silnika.

## Instrukcje bezpieczeństwa dotyczące konserwacji



**OSTRZEŻENIE:** Przed rozpoczęciem prac konserwacyjnych produktu przeczytać następujące ostrzeżenia.

- Wykonywać tylko czynności konserwacyjne i serwisowe opisane w niniejszej instrukcji obsługi. Wszelkie inne czynności serwisowe i naprawy powinni wykonywać pracownicy serwisu.
- Regularnie wykonywać kontrole bezpieczeństwa, czynności konserwacyjne oraz instrukcje serwisowe podane w niniejszej instrukcji. Regularna konserwacja zwiększa trwałość produktu i zmniejsza ryzyko wypadków. Aby uzyskać odpowiednie instrukcje — patrz *Plan konserwacji na stronie 241*.
- Jeśli kontrole bezpieczeństwa opisane w tej instrukcji obsługi nie zostały zatwierdzone po wykonaniu czynności konserwacyjnych, należy skontaktować się z punktem serwisowym. Gwarantujemy profesjonalne naprawy i serwisowanie produktu.

---

# Montaż

---

## Wstęp



**OSTRZEŻENIE:** Przed złożeniem produktu należy przeczytać ze zrozumieniem rozdział poświęcony bezpieczeństwu.



**OSTRZEŻENIE:** Przed rozpoczęciem montażu produktu odłączyć przewód świecy zapłonowej od świecy zapłonowej.

## Mocowanie uchwytu pałkowego

1. Umieścić uchwyt pałkowy pomiędzy strzałkami na wałku.
2. Dokręcić śrubę, aby przymocować uchwyt pałkowy do wałka. (Rys. 22)

## Montaż osprzętu tnącego

### Montaż osłony osprzętu tnącego

1. Umieścić osłonę osprzętu tnącego (A) na wałku. (Rys. 23)

2. Umieścić wspornik (B) w szczelinie na osłonie osprzętu tnącego.
3. Wkręcić śrubę (C) przez otwór we wsporniku do osłony osprzętu tnącego.

### Montaż głowicy żyłkowej

1. Upewnić się, że osłona osprzętu tnącego (A) jest przymocowana do produktu. Patrz *Montaż osłony osprzętu tnącego na stronie 239*. (Rys. 24)
2. Upewnić się, że tarcza zabierakowa (C) jest przymocowana do wałka zdawczego (D).
3. Umieścić klucz gwiazdkowy (C) w otworze, aby zablokować wałek.
4. Umieścić głowicę żyłkową (B) na wałku zdawczym.
5. Obróć głowicę żyłkową w lewo, aby dokręcić ją do wałka zdawczego. (Rys. 25)
6. Wyjąć klucz.

---

# Obsługa

---

## Wstęp



**OSTRZEŻENIE:** Przed użyciem urządzenia należy przeczytać ze zrozumieniem rozdział poświęcony bezpieczeństwu.

## Paliwo

Produkt jest wyposażony w silnik dwusuwowy.



**UWAGA:** Nieprawidłowy rodzaj paliwa może doprowadzić do uszkodzenia silnika. Używać mieszanki benzyny i oleju do silników dwusuwowych.

## Wstępnie wymieszane paliwo

- W celu zapewnienia najlepszej wydajności i wydłużenia żywotności silnika należy używać wstępnie wymieszanego paliwa alkilowego Husqvarna o dobrej jakości. Takie paliwo zawiera mniej szkodliwych substancji chemicznych w porównaniu z tradycyjnym paliwem, dzięki czemu wytwarza mniej szkodliwych gazów wydechowych. Ilość pozostałości po spaleniu tego paliwa jest mniejsza, co zapewnia większą czystość elementów silnika.

## Mieszanie paliwa

### Benzyna



**UWAGA:** Nie używać benzyny o liczbie oktanowej niższej niż 90 RON (87 AKI). Niezastosowanie się do tego zalecenia może spowodować uszkodzenie produktu.



**UWAGA:** Nie używać benzyny o stężeniu etanolu większym niż 10% (E10). Niezastosowanie się do tego zalecenia może spowodować uszkodzenie produktu.

- Zawsze należy używać nowej benzyny bezołowiowej o liczbie oktanowej nie mniejszej niż 90 RON (87 AKI) oraz o stężeniu etanolu mniejszym niż 10% (E10).
- Używać benzyny o wyższej liczbie oktanowej, jeśli maszyna często pracuje przy wysokiej prędkości obrotowej silnika.

### Olej do silników dwusuwowych

- Aby uzyskać najlepsze wyniki i wydajność, należy używać oleju do silników dwusuwowych Husqvarna.
- Jeśli olej Husqvarna do silników dwusuwowych nie jest dostępny, należy użyć dobrej jakości oleju do silników dwusuwowych chłodzonych powietrzem.

Skontaktować się z dealerem ds. serwisu w celu wybrania właściwego oleju.



**UWAGA:** Nigdy nie używaj oleju do silników dwusuwowych przeznaczonego do chłodzonych wodą, zaburtowych silników do łodzi. Nie używać oleju przeznaczonego do silników czterosuwowych.

### Mieszanie benzyny i oleju do silników dwusuwowych

Benzyzna, w litrach	Olej do silników dwusuwowych, w litrach
	2% (50:1)
5	0,10
10	0,20
15	0,30
20	0,40



**UWAGA:** Podczas mieszania małych ilości paliwa niewielkie błędy mogą mieć znaczny wpływ na proporcje mieszanki. W celu uzyskania prawidłowej mieszanki należy dokładnie odmierzyć ilość dodawanego oleju.

(Rys. 26)

1. Wlać połowę objętości benzyny do czystego pojemnika na paliwo.
2. Wlać pełną ilość oleju.
3. Wymieszać dokładnie paliwo z olejem, potrząsając pojemnikiem.
4. Dodać pozostałą objętość benzyny do pojemnika.
5. Wymieszać dokładnie paliwo z olejem, potrząsając pojemnikiem.



**UWAGA:** Nie mieszać jednorazowo większej ilości paliwa niż wymagana na 1 miesiąc pracy.

### Dolewanie paliwa

- Zawsze stosować kanister z zabezpieczeniem przeciw przelewaniu paliwa.
- Jeśli na pojemniku znajdują się resztki paliwa, oczyścić pojemnik i zaczekać, aż wyschnie.
- Sprawdzić, czy obszar wokół nakrętki zbiornika paliwa jest czysty.
- Wstrząsnąć pojemnik na paliwo przed dolaniem mieszanki paliwowej do zbiornika paliwa.

### Docieranie silnika

- Podczas pierwszych 10 godzin pracy nie należy przez dłuższy czas używać pełnych obrotów silnika bez obciążenia.

### Uruchamianie i wyłączenie

#### Sprawdzenie przed uruchomieniem

1. Upewnić się, że produkt nie ma brakujących, uszkodzonych, luźnych ani zużytych części.
2. Upewnić się, że wszystkie nakrętki, śruby i wkręty są dokręcone.
3. Upewnić się, że głowica żyłkowa nie jest uszkodzona.
4. Upewnić się, że filtr powietrza nie jest zatkany.
5. Upewnić się, że urządzenia zabezpieczające produktu nie są uszkodzone.
6. Upewnić się, że nie ma wycieków paliwa w produkcie.

#### Uruchamianie zimnego silnika

1. Nacisnąć pompkę paliwa 10 razy. (Rys. 27)
2. Pociągnąć dźwignię ssania do góry. (Rys. 28)
3. Przycisnąć korpus produktu do ziemi lewą ręką. (Rys. 29) Nie stawać na produkcie. Powoli ciągnąć rączkę linki rozrusznika do poczucia oporu. Następnie mocno pociągnąć rączkę.

**Uwaga:** Nie ciągnąć manetki gazu podczas uruchamiania silnika.

4. Ciągnąć rączkę linki rozrusznika, aż silnik zacznie pracować lub wykona kilka obrotów (maks. 3 pociągnięcia). Kiedy silnik zacznie pracować lub wykona kilka obrotów, popchnąć dźwignię ssania w dół. Ciągnąć do czasu uruchomienia silnika. Odczekać 60 sekund po uruchomieniu przed pociągnięciem manetki gazu.



**UWAGA:** Nie ciągnąć linki rozrusznika aż do oporu. Nie puszczać linki rozrusznika, kiedy jest w pełni wyciągnięta. Powoli zwolnić linkę rozrusznika. Nieprzestrzeganie tych instrukcji może spowodować uszkodzenie silnika.

#### Uruchamianie rozgrzanego silnika

1. Nacisnąć pompkę paliwa 10 razy.
2. Pociągnąć linkę rozrusznika, aż silnik zacznie pracować.

#### Uruchamianie silnika, gdy paliwo jest zbyt gorące

Jeśli produkt się nie uruchamia, paliwo może być zbyt gorące.



---

**Uwaga:** Zawsze stosować nowe paliwo i skracać czas pracy podczas ciepłej pogody.

---

1. Umieścić produkt w chłodnym miejscu z dala od bezpośredniego światła słonecznego.
2. Pozostawić produkt do ostygnięcia przynajmniej na 20 minut.
3. Naciskać pompkę paliwa jeszcze przez 10–15 s.
4. Postępować zgodnie z procedurą uruchamiania zimnego silnika. Patrz *Uruchamianie zimnego silnika na stronie 240*.

### Zatrzymywanie

- Nacisnąć wyłącznik, aby wyłączyć silnik. (Rys. 30)

---

**Uwaga:** Wyłącznik automatycznie powraca do położenia początkowego.

---

### Obsługa podkaszarki do trawy



**UWAGA:** Po każdym zadaniu należy zmniejszyć prędkość obrotową silnika do obrotów biegu jałowego. Długi czas na pełnym gazie bez obciążenia silnika może spowodować uszkodzenie silnika.

---

**Uwaga:** Czyścić pokrywę głowicy żyłkowej podczas montażu nowej żyłki do wykaszania w celu ograniczenia drgań. Sprawdzić inne części głowicy żyłkowej i wyczyścić je w razie potrzeby.

---

### Podkaszanie trawy

1. Trzymać głowicę żyłkową tuż nad ziemią, przechylając ją lekko pod kątem. Nie dociskać żyłki do trawy. (Rys. 31)
2. Zmniejszyć długość żyłki o 10–12 cm / 4–4,75 cala.
3. Zmniejszyć prędkość obrotową silnika, aby zmniejszyć ryzyko uszkodzenia roślin.

4. Wykorzystać przepustnicę w 80% podczas koszenia trawy w pobliżu przedmiotów. (Rys. 32)

### Koszenie trawy

1. Upewnić się, że żyłka podczas cięcia jest ustawiona równoległe do podłoża. (Rys. 33)
2. Nie dociskać głowicy żyłkowej do ziemi. Istnieje ryzyko uszkodzenia ziemi i produktu.
3. Nie dopuszczać do ciągłego dotykania ziemi przez głowicę żyłkową, ponieważ może to spowodować uszkodzenie głowicy.
4. Pracować przy całkowicie otwartej przepustnicy podczas przemieszczania produktu na boki podczas cięcia trawy. Trzymać żyłkę do wykaszania równoległe do ziemi. (Rys. 34)

### Głowica żyłkowa do trawy

- Ciasno i równo owinąć żyłkę do wykaszania trawy wokół bębna, aby zmniejszyć drgania.
- Używać wyłącznie zatwierdzonych głowic żyłkowych do trawy i żyłek do wykaszania trawy. Patrz *Akcesoria na stronie 245*.
- Używać żyłek do wykaszania trawy o odpowiedniej długości. Długa żyłka wymaga większej mocy silnika niż krótka żyłka.
- Upewnić się, że przecinacz na ostrońie osprzętu tnącego nie jest uszkodzony.
- Pozostawić żyłkę do wykaszania trawy w wodzie na 2 dni przed jej montażem w produkcie. Wydłuży to czas jej eksploatacji.

### Wymiana żyłki do wykaszania

(Rys. 35)  
(Rys. 36)  
(Rys. 37)  
(Rys. 38)  
(Rys. 39)  
(Rys. 40)  
(Rys. 41)  
(Rys. 42)

---

## Konserwacja

---

### Wstęp



**OSTRZEŻENIE:** Przed przeprowadzeniem konserwacji należy przeczytać i zrozumieć rozdział o bezpieczeństwie.

Do wykonywania wszelkich prac serwisowych i naprawczych konieczne jest specjalistyczne przeszkolenie. Gwarantujemy dostępność profesjonalnych napraw i usług serwisowych. Jeśli dany dealer nie jest autoryzowanym punktem serwisowym, poproś sprzedawcę o informacje na temat najbliższego autoryzowanego punktu serwisowego.

### Plan konserwacji

#### Przegląd cotygodniowy

- Oczyszczyć powierzchnie zewnętrzne.
- Sprawdzić, czy osprzęt tnący się nie obraca na biegu jałowym. Patrz *Regulacja obrotów biegu jałowego na stronie 242*.
- Sprawdzić poziom smaru w przekładni zębatej stożkowej. Patrz *Smarowanie przekładni zębatej stożkowej na stronie 243*.

#### Przegląd miesięczny

- Upewnić się, że uchwyt linki rozrusznika i linka nie są uszkodzone.

## Konserwacja coroczna

- Sprawdzić świecę zapłonową. Patrz *Sprawdzanie świecy zapłonowej na stronie 242*
- Oczyszczyć zewnętrzne powierzchnie gaźnika i przylegających obszarów.
- Oczyszczyć system chłodzący.
- Sprawdzić siatkę iskrochronu. Patrz *Konserwacja chwytacza iskier na stronie 242*.
- Sprawdzić filtr paliwa.
- Upewnić się, że przewód paliwowy nie jest uszkodzony.
- Upewnić się, że kable i połączenia w produkcie nie są uszkodzone.

## Regulacja obrotów biegu jałowego

- Przed regulacją obrotów biegu jałowego sprawdzić, czy filtr powietrza jest czysty i przymocować pokrywę filtra powietrza.
  - Wyregulować obroty biegu jałowego za pomocą śruby regulacji oznaczonej symbolem „T”.
  - Obroty jałowe ustawione są prawidłowo, jeżeli silnik pracuje płynnie w każdym położeniu. Wartość obrotów biegu jałowego powinna być niższa od prędkości obrotowej osprzętu tnącego w momencie rozpoczęcia pracy.
1. Przekręcić śrubę regulacji obrotów biegu jałowego w prawo do momentu, gdy osprzęt tnący zacznie się obracać. (Rys. 43)
  2. Przekręcić śrubę regulacji obrotów biegu jałowego w lewo do momentu, gdy osprzęt tnący zatrzyma się.

## Konserwacja chwytacza iskier

Użyć szczotki drucianej do czyszczenia chwytacza iskier.

(Rys. 44)

## Czyszczenie układu chłodzenia

Czyścić części układu chłodzenia szczotką.

(Rys. 45)

## Sprawdzanie świecy zapłonowej



**UWAGA:** Używać zalecanej świecy zapłonowej. Upewnić się, że część zamienna jest taka sama, jak część dostarczona przez producenta. Nieprawidłowa świeca zapłonowa może doprowadzić do uszkodzenia maszyny.

1. Sprawdzić świecę zapłonową w poniższych sytuacjach:
  - a) Silnik ma mało mocy.
  - b) Silnik trudno się uruchamia.
  - c) Silnik nie działa prawidłowo przy obrotach biegu jałowego.

2. Jeśli silnik trudno się uruchamia lub nie działa prawidłowo, sprawdzić świecę zapłonową pod kątem niepożądanych materiałów. Aby zmniejszyć ryzyko przedostawania się niepożądanych materiałów na elektrody świecy zapłonowej:
  - a) dopilnować, by obroty biegu jałowego zostały prawidłowo wyregulowane.
  - b) dopilnować, aby używana była odpowiednia mieszanka paliwowa.
  - c) zadbać o czystość filtra powietrza.
3. Wyczyścić świecę zapłonową, jeśli jest brudna, Z badać, czy odstęp między elektrodami jest prawidłowy. (Rys. 46)
4. W razie potrzeby wymienić świecę zapłonową.

## Konserwacja filtra powietrza

### Czyszczenie filtra powietrza

1. Zdjąć pokrywę filtra powietrza i wyjąć filtr powietrza. (Rys. 47)
2. Oczyszczyć filtr powietrza ciepłą wodą z mydłem. Przed zamontowaniem filtra poczekać na jego wyschnięcie.
3. Wymienić filtr powietrza, jeśli jest zbyt brudny, aby całkowicie go wyczyścić. Zawsze wymieniać uszkodzony filtr powietrza.
4. Jeśli maszyna jest wyposażona w piankowy filtr powietrza, stosować olej do filtrów powietrza. Oleju do filtrów powietrza należy używać wyłącznie do filtrów piankowych. Nie stosować oleju do filtrów filcowych.

### Stosowanie oleju do filtrów powietrza



**UWAGA:** W przypadku piankowych filtrów powietrza zawsze należy stosować specjalny olej do filtrów powietrza. Nie używać innych rodzajów olejów.



**OSTRZEŻENIE:** Nie rozlać oleju na ciało.

1. Zdjąć pokrywę filtra powietrza i wyjąć filtr powietrza. (Rys. 48)
2. Umieścić filtr powietrza w plastikowej torbie.
3. Wlać olej do filtra powietrza do plastikowej torby. (Rys. 49)
4. Docisnąć plastikową torbę, aby olej rozprzestrzenił się równo po całym filtrze.
5. Nacisnąć filtr powietrza w torbie, aby usunąć zbędny olej. Wyjąć filtr powietrza z torby.
6. Zamontować filtr powietrza.

## Smarowanie przekładni zębatej stożkowej

(Rys. 50)

Upewnić się, że przekładnia zębata stożkowa jest napełniona w 3/4 smarem.

## Rozwiązywanie problemów

### Silnik nie uruchamia się

Sprawdzić	Prawdopodobna przyczyna	Sposób postępowania
Wyłącznik	Wyłącznik znajduje się w pozycji STOP.	Przesuń wyłącznik do położenia włączenia.
Zapadki rozrusznika.	Zapadki rozrusznika nie są w stanie się swobodnie poruszać.	Wymontować pokrywę rozrusznika i wyczyścić obszar wokół zapadek rozrusznika.
		Należy zasięgnąć pomocy w autoryzowanym warsztacie obsługi technicznej.
Zbiornik paliwa.	Niewłaściwy rodzaj paliwa.	Opróżnić zbiornik paliwa i napełnić go odpowiednim paliwem.
świeca zapłonowa,	Świeca zapłonowa jest zabrudzona lub wilgotna.	Sprawdź, czy świeca zapłonowa jest sucha i czysta.
	Odstęp między elektrodami świecy zapłonowej jest nieprawidłowy.	Wyczyść świecę zapłonową. Upewnij się, że odstęp między elektrodami jest prawidłowy. Upewnij się, że świeca zapłonowa jest wyposażona w opornik przeciwzakłóceńowy.
	Poluzowana świeca zapłonowa.	Informacje na temat odpowiedniego odstępu między elektrodami znajdują się w danych technicznych. Dokręć świecę zapłonową.

### Silnik odpala i gaśnie

Sprawdzić	Prawdopodobna przyczyna	Sposób postępowania
Zbiornik paliwa	Niewłaściwy rodzaj paliwa.	Opróżnić zbiornik paliwa i napełnić go odpowiednim paliwem.
Filtr powietrza	Filtr powietrza jest niedrożny.	Czyszczenie filtra powietrza.

## Transport, przechowywanie i utylizacja

### Transport i przechowywanie

- Pozostawić do wystygnięcia przed rozpoczęciem transportowania lub przechowywania.
- Zdjąć nasadkę świecy zapłonowej przed rozpoczęciem długotrwałego przechowywania.

- Przymocować produkt podczas transportu. Upewnij się, że nie może się poruszać.
- Upewnij się, że nie ma ryzyka wycieku paliwa, wydobywania się oparów paliwa, iskrzenia czy kontaktu z otwartym ogniem podczas transportu i przechowywania.

- Wyczyścić przeprowadzić czynności konserwacyjne przed długim przechowywaniem.

## Dane techniczne

### Dane techniczne

	<b>325L</b>
	<b>A05328CSHV</b>
<b>Silnik</b>	
Pojemność skokowa, cm <sup>3</sup>	27,6
Obroty na biegu jałowym, obr./min	2800–3200
Zalecane maks. nadobroty, obr./min	8000
Moc / maks. moc silnika zgodnie z ISO 8893, kW/KM przy obr./min	0,9/1,2 przy 8000
Tłumik z katalizatorem	Tak
Obroty wałka zdawczego, obr./min.	7200
<b>Układ zapłonowy</b>	
Świeca zapłonowa	Husqvarna HQT-4
Odstęp między elektrodami świecy, w mm	0,5
<b>Układ paliwowy</b>	
Pojemność zbiornika paliwa, l/cm <sup>3</sup>	0,343/343
<b>Wymiary produktu</b>	
Ciężar (bez osprzętu tnącego), kg	5,0
<b>Emisja hałasu<sup>55</sup></b>	
Poziom głośności, gwarantowana moc akustyczna (L <sub>WA</sub> ), dB(A)	114
Poziom mocy akustycznej, zmierzony, dB(A)	110
<b>Poziomy głośności<sup>56</sup></b>	
Ciśnienie akustyczne przy uchu operatora, z głowicą żyłkową, dB(A)	93
<b>Poziomy drgań<sup>57</sup></b>	
Poziom drgań ekwiwalentnych (ahv, eq), z głowicą żyłkową, lewy uchwyt, m/s <sup>2</sup>	4,2

<sup>55</sup> Emisję hałasu do otoczenia zmierzono jako moc akustyczną (L<sub>WA</sub>) zgodnie z dyrektywą WE 2000/14/WE. Odnotowany poziom ciśnienia akustycznego dla produktu został zmierzony z oryginalnym osprzętem tnącym, który generuje najwyższy poziom hałasu. Różnica pomiędzy gwarantowanym a zmierzonym poziomem ciśnienia akustycznego wynika z tego, że poziom gwarantowany uwzględnia także rozproszenie w wynikach pomiaru oraz różnice pomiędzy różnymi produktami o takim samym oznaczeniu modelowym zgodnie z dyrektywą 2000/14/WE.

<sup>56</sup> Odnotowane dane dotyczące równoważnego ciśnienia akustycznego produktu wykazują typowy rozrzut statystyczny (odchylenie standardowe) w wysokości 1 dB(A).

<sup>57</sup> Odnotowane dane dotyczące równoważnego poziomu drgań wykazują typowe rozproszenie statystyczne (odchylenie standardowe) w wysokości 1 m/s<sup>2</sup>.

	<b>325L</b> <b>A05328CSHV</b>
Poziom drgań ekwiwalentnych (ahv, eq), z głowicą żyłkową, prawy uchwyt, m/s <sup>2</sup>	6,1

---

## Akcesoria

---

### Akcesoria

Zatwierdzone akcesoria	Typ	Oslona osprzętu tnącego
Wał gwintowany	M10L	
Głowica żyłkowa	T35, Ø2,4 mm	588 54 37-01

---

## Deklaracja zgodności WE

---

### Treść deklaracji zgodności z normami WE

Firma Husqvarna AB, SE 561 82 Husqvarna, SZWECJA, deklaruje z pełną odpowiedzialnością, że przedstawiony produkt:

<b>Opis</b>	<b>Benzynowa podkaszarka do trawy/wykaszarka</b>
Marka	Husqvarna
Platforma/typ/model	PlatformaA05328CSHV, reprezentująca model 325L.
Partia produkcyjna	Począwszy od numerów seryjnych z roku 2018.

spełnia wszystkie wymogi określone w odpowiednich dyrektywach i przepisach UE:

Dyrektywa/przepis	Opis
2006/42/WE	„maszynowa”
2014/30/UE	„dotycząca zgodności elektromagnetycznej”
2000/14/WE	„dotycząca emisji hałasu”
2011/65/UE	dotycząca „ograniczenia użycia określonych substancji niebezpiecznych”

Odpowiednie zharmonizowane normy oraz parametry techniczne: EN ISO 12100, EN ISO 11806-1, CISPR 12, ISO 14982, EN 50581:2012.

Zgodnie z dyrektywą 2000/14/WE, Aneks V, deklarowane wartości dźwięku są podane w rozdziale „Dane techniczne” niniejszej instrukcji i w podpisanej deklaracji zgodności WE.

Jednostka certyfikująca TÜV Rheinland N.A. przeprowadziła dobrowolną kontrolę w imieniu firmy Husqvarna AB oraz wydała Certyfikat zgodności poświadczający zgodność z Dyrektywą Rady Europejskiej 2006/42/WE.

Ten certyfikat, załączony na podpisanej Deklaracji zgodności WE, dotyczy wszystkich miejsc produkcji oraz krajów pochodzenia, informacje o których umieszczono na produktach.

Dostarczona benzynowa podkaszarka do trawy/wykaszarka jest zgodna ze specyfikacją prototypu poddanego kontroli.

---

# ÍNDICE

---

Introdução.....	247	Resolução de problemas.....	256
Segurança.....	248	Transporte, armazenamento e eliminação.....	257
Montagem.....	252	Especificações técnicas.....	257
Funcionamento.....	252	Acessórios.....	258
Manutenção.....	254	Declaração CE de conformidade.....	259

---

## Introdução

---

### Manual do utilizador

O idioma inicial deste manual do utilizador é o Inglês. Os manuais do utilizador em outros idiomas são traduções do Inglês.

### Finalidade

O produto é utilizado com uma cabeça do aparador para cortar relva. Não utilize o produto para outras tarefas que não aparar e desbastar relva.

### Vista geral do produto

(Fig. 1)

1. Cabeçote de recorte
2. Tampão de enchimento de massa lubrificante
3. Engrenagem cônica
4. Proteção do acessório de corte
5. Eixo
6. Punho fechado
7. Acelerador
8. Interruptor de paragem
9. Bloqueio do acelerador
10. Cobertura da vela de ignição, vela de ignição
11. Caixa do dispositivo de arranque
12. Punho do cabo de arranque
13. Depósito de combustível
14. Cobertura do filtro de ar
15. Ampola da purga de ar
16. Controlo do estrangulador
17. Acionador
18. Manual do utilizador
19. Chave estrela

### Símbolos no produto

(Fig. 2) **AVISO!** Este produto é perigoso. Uma utilização não cuidadosa e incorreta poderá provocar ferimentos ou a morte do operador ou de terceiros. Para evitar ferimentos ao operador ou a terceiros, leia e cumpra todas as instruções de segurança do manual do utilizador.

**Nota:** A legislação nacional pode limitar a utilização deste produto.

---

(Fig. 3) Leia o manual do utilizador com atenção e certifique-se de que compreende as instruções antes de utilizar o produto.

(Fig. 4) Utilize protetores acústicos aprovados. Utilize proteção ocular aprovada.

(Fig. 5) O produto pode causar a projeção de objetos, o que pode resultar em ferimentos.

(Fig. 6) Velocidade máxima do eixo de saída.

(Fig. 7) Mantenha pessoas e animais a uma distância mínima de 15 m/50 pés durante o funcionamento do produto.

(Fig. 8) Utilize apenas uma linha do aparador flexível

(Fig. 9) Não utilize elementos de corte metálicos

(Fig. 10) As setas mostram os limites para a posição do punho.

(Fig. 11) Ampola da purga de ar.

(Fig. 12) Estrangulador.

(Fig. 13) Enchimento de combustível.

(Fig. 14) Para informações sobre as emissões de ruído para o meio ambiente consulte a diretiva da Comunidade Europeia. As emissões do produto são indicadas no capítulo de Especificações técnicas e na etiqueta.

(Fig. 15) O produto está em conformidade com as diretivas CE aplicáveis.

(Fig. 16) O produto está em conformidade com as diretivas EAC aplicáveis.

A etiqueta de tipo apresenta o número de série. **yyyy** corresponde ao ano de produção, **ww** à semana de produção e **xxxx** é o número de série.

yyyywwxxxx

**Nota:** Os restantes símbolos/autocolantes existentes no produto dizem respeito a exigências para homologação em outras áreas comerciais.

## Responsabilidade pelo produto

Como referido nas leis de responsabilidade pelo produto, não somos responsáveis por danos causados pelo nosso produto se:

- o produto tiver sido incorretamente reparado.
- o produto tiver sido reparado com peças que não sejam do fabricante ou que não sejam aprovadas pelo fabricante.
- o produto tiver um acessório que não seja do fabricante ou que não seja aprovado pelo fabricante.
- o produto não tiver sido reparado por um centro de assistência autorizado ou por uma autoridade aprovada.

## UE V



**ATENÇÃO:** A adulteração do motor anula a aprovação deste produto pela UE.

## Segurança

### Definições de segurança

Os avisos, as precauções e as notas são utilizados para indicar partes especialmente importantes do manual.



**ATENÇÃO:** Utilizado no caso de existir risco de ferimento ou morte para o utilizador ou transeuntes, se não forem respeitadas as instruções do manual.



**CUIDADO:** Utilizado se existir risco de danos para o produto, para outros materiais ou para a área adjacente, se não forem respeitadas as instruções do manual.

**Nota:** Utilizado para disponibilizar informações adicionais necessárias numa determinada situação.

### Segurança da vibração

Este produto foi concebido apenas para funcionamento ocasional. O funcionamento contínuo ou regular do produto pode causar "síndrome dos dedos brancos" ou problemas médicos equivalentes causados pelas vibrações. Examine o estado das suas mãos e dedos se utilizar o produto de forma contínua ou regular. Se as suas mãos ou dedos apresentarem descoloração, se tiver dor ou uma sensação de zumbido ou dormência, pare de trabalhar e consulte imediatamente um médico.

### Instruções de segurança gerais



**ATENÇÃO:** Leia as instruções de aviso que se seguem antes de utilizar o produto.

- Utilize o produto corretamente. Ferimentos ou morte são resultados possíveis de utilização incorreta. Utilize apenas o produto para as tarefas descritas neste manual. Não utilize o produto para outras tarefas.
- Siga as instruções neste manual. Respeite as instruções e os símbolos de segurança. Ferimentos, danos ou morte são um resultado possível se o operador não respeitar as instruções e os símbolos.
- Não elimine este manual. Utilize as instruções para montar, para operar e para manter o seu produto em bom estado. Utilize as instruções para a instalação correta de acessórios. Utilize apenas acessórios aprovados.
- Não utilize um produto danificado. Respeite o esquema de manutenção. Realize apenas tarefas de manutenção descritas neste manual. Todas as outras tarefas de manutenção têm de ser realizadas por um centro de assistência autorizado.
- Este manual não pode incluir todas as situações que podem ocorrer quando utiliza o produto. Seja cuidadoso e use o seu senso comum. Não utilize o produto nem realize tarefas de manutenção no mesmo se não tiver a certeza acerca da situação. Fale com um especialista do produto, o seu concessionário, oficina autorizada ou centro de assistência autorizado para obter informações.



- Desligue o cabo da vela de ignição antes de montar o produto, de o armazenar ou de realizar tarefas de manutenção.
- Não utilize o produto se este for alterado da sua especificação inicial. Não altere uma parte do produto sem a aprovação do fabricante. Utilize apenas peças aprovadas pelo fabricante. Ferimentos ou morte são resultados possíveis de manutenção incorreta.
- Não respire os gases do motor. A inalação prolongada dos gases de escape do motor constitui um risco para a saúde.
- Não arranque o produto em locais fechados ou nas proximidades de material inflamável. Os gases de escape são quentes e podem conter faíscas que podem causar incêndios. O fluxo de ar insuficiente pode causar ferimentos ou morte devido a asfixia ou monóxido de carbono.
- Quando utilizar esse produto, o motor produz um campo eletromagnético. O campo eletromagnético pode causar danos a implantes médicos. Consulte o seu médico e o fabricante do implante antes de utilizar este produto.
- Não deixe uma criança utilizar o produto. Não permita que o produto seja operado por uma pessoa que não conheça as instruções.
- Certifique-se de que monitoriza sempre a utilização do produto por pessoas com diminuição da capacidade física ou mental. Tem de estar sempre presente um adulto responsável.
- Bloqueie o produto numa área à qual crianças e pessoas sem autorização não tenham acesso.
- O produto pode projetar objetos e causar ferimentos. Respeite as instruções de segurança para diminuir o risco de ferimentos ou morte.
- Não se afaste do produto quando o motor estiver ligado.
- O operador do produto é responsável caso ocorra um acidente.
- Certifique-se de que as peças não estão danificadas antes de utilizar o produto.
- Antes de utilizar o produto, certifique-se de que está, no mínimo, a 15 m (50 pés) de distância de outras pessoas ou de animais. Certifique-se de que as pessoas na área adjacente sabem que irá utilizar o produto.
- Consulte as leis nacionais ou locais. Podem impedir ou diminuir o funcionamento do produto em algumas condições.
- Não utilize o produto se estiver cansado ou sob a influência de álcool, drogas ou medicamentos. Estes podem ter efeitos na sua visão, atenção, capacidade de discernimento ou controlo físico.

## Instruções de segurança para montagem



**ATENÇÃO:** Leia as instruções de aviso que se seguem antes de utilizar o produto.

- Retire a cobertura da vela de ignição antes de montar o produto.
- Utilize luvas de proteção aprovadas.
- Certifique-se de que instala corretamente a cobertura e o eixo antes de ligar o motor.

## Instruções de segurança para funcionamento

- Certifique-se de que o produto está totalmente montado antes de o utilizar.
- Antes de começar, desloque o produto a uma distância de 3 m (10 pés) da posição onde abasteceu o depósito de combustível. Coloque o produto numa superfície plana. Certifique-se de que o acessório de corte não toca no solo ou noutros objetos.
- O produto pode causar a projeção de objetos, o que pode causar danos nos olhos. Utilize sempre uma proteção ocular aprovada quando operar o produto.
- Tenha cuidado, uma criança pode aproximar-se do produto sem o seu conhecimento durante o funcionamento.
- Não opere o produto se houver pessoas na área de trabalho. Pare o produto se uma pessoa for para a área de trabalho.
- Certifique-se de que está sempre em controlo do produto.
- Não utilize o produto se não puder receber ajuda em caso de acidente. Certifique-se sempre de que outras pessoas sabem que irá operar o produto antes de começar.
- Não vire com o produto antes de se certificar de que não há pessoas ou animais na área de segurança.
- Remova todos os materiais indesejados da área de trabalho antes de começar. Se o acessório de corte atingir um objeto, este pode ser projetado e causar ferimentos ou danos. Os materiais indesejados podem enrolar-se à volta do acessório de corte e causar danos.
- Não utilize o produto em más condições meteorológicas (nevoeiro, chuva, ventos fortes, risco de relâmpagos ou outras condições meteorológicas). Podem ocorrer condições perigosas (tais como superfícies escorregadias) devido a más condições meteorológicas.
- Certifique-se de que pode mover-se livremente e trabalhar numa posição estável.

(Fig. 17)

- Certifique-se de que não pode cair quando utilizar o produto. Não se incline quando operar o produto.

- Segure sempre o produto com ambas as mãos. Mantenha o produto do lado direito do seu corpo. (Fig. 18)
- Opere o produto com o acessório de corte abaixo da cintura.
- Se o controle do estrangulador estiver na posição do estrangulador quando o motor arranca, o acessório de corte começa a rodar.
- Não toque na engrenagem cônica depois de o motor parar. A engrenagem cônica está quente depois de o motor parar. As áreas quentes podem causar ferimentos.
- Pare o motor antes de mover o produto.
- Não pause o produto com o motor ligado.
- Antes de remover os materiais indesejados do produto, pare o motor e aguarde que o acessório de corte pare. Deixe o acessório de corte parar antes de o material cortado ser retirado por si ou por um ajudante.

## Equipamento de proteção pessoal



**ATENÇÃO:** Leia as instruções de aviso que se seguem antes de utilizar o produto.

- Utilize sempre equipamento de proteção pessoal adequado quando operar o produto. O equipamento de proteção pessoal não elimina o risco de ferimentos. O equipamento de proteção pessoal diminui a gravidade dos ferimentos em caso de acidente.
- Utilize sempre uma proteção ocular aprovada enquanto opera o produto.
- Não opere o produto com os pés descalços ou com calçado aberto. Use sempre botas antiderrapantes resistentes.
- Use calças compridas e resistentes.
- Se for necessário, use luvas de proteção aprovadas.
- Use um capacete caso haja possibilidade de objetos caírem na sua cabeça.
- Utilize sempre proteção auditiva aprovada enquanto opera o produto. A exposição prolongada a ruído pode causar perda da capacidade auditiva.
- Certifique-se de que tem um kit de primeiros socorros por perto.

## Dispositivos de segurança no produto



**ATENÇÃO:** Leia as instruções de aviso que se seguem antes de utilizar o produto.

- Não utilize o produto com dispositivos de segurança defeituosos.
- Verifique regularmente os dispositivos de segurança. Consulte *Vista geral do produto na página 247*.

- Se os dispositivos de segurança estiverem defeituosos, fale com o seu revendedor com assistência técnica Husqvarna.

## Bloqueio do acelerador

O bloqueio do acelerador bloqueia o acelerador. (Fig. 19)

Empurre o bloqueio do acelerador (A) para libertar o acelerador (B). Ao soltar o punho, o bloqueio do acelerador e o acelerador regressam às respetivas posições iniciais.

1. Certifique-se de que o acelerador (B) está bloqueado ao ralenti quando libertar o bloqueio do acelerador (A).
2. Empurre o bloqueio do acelerador (A) e certifique-se de que este regressa à sua posição inicial quando libertado.
3. Empurre o acelerador (B) e certifique-se de que este regressa à sua posição inicial quando libertado.

Ligue o motor e, em seguida, aplique aceleração total. Solte o acelerador e examine se o acessório de corte para. Se o acessório de corte rodar com o acelerador na posição de ralenti, examine o parafuso de ajuste de ralenti do carburador.

## Interruptor de paragem

Ligue o motor. Certifique-se de que o motor para quando move o interruptor de paragem para a posição de paragem.

(Fig. 20)

## Proteção do acessório de corte

A proteção do acessório de corte evita a projeção de objetos soltos em direção ao operador. (Fig. 21)

Examine a proteção do acessório de corte quanto a danos e substitua se estiver danificada. Utilize apenas a proteção aprovada para o acessório de corte.

## Silenciador

- Não utilize um motor com um silenciador danificado. Um silenciador danificado aumenta o nível de ruído e o risco de incêndio. Mantenha um extintor de incêndios por perto.
- Examine regularmente se o silenciador está fixo ao produto.
- Não toque no motor ou no silenciador quando o motor está ligado. Não toque no motor ou no silenciador durante algum tempo após a paragem do motor. As superfícies quentes podem causar ferimentos.
- Um silenciador quente pode provocar um incêndio. Tenha cuidado se utilizar o produto nas proximidades de líquidos inflamáveis ou gases.

- Não toque nas peças do silenciador, caso este esteja danificado. As peças podem conter alguns produtos químicos cancerígenos.

## Acessório de corte



**ATENÇÃO:** Leia as instruções de aviso que se seguem antes de utilizar o produto.

- Realize regularmente as tarefas de manutenção. Leve regularmente o acessório de corte a um centro de assistência autorizado para que o examinem e realizem ajustes ou reparações.
  - O desempenho do acessório de corte melhora.
  - A vida útil do acessório de corte é aumentada.
  - O risco de acidentes é reduzido.
- Utilize apenas uma proteção do acessório de corte aprovada. Para mais informações, consulte *Acessórios na página 258*.
- Não utilize um acessório de corte danificado.

## Segurança no manuseamento do combustível



**ATENÇÃO:** Leia as instruções de aviso que se seguem antes de utilizar o produto.

- Não misture o combustível em espaços interiores ou próximo de uma fonte de calor.
- Não ligue o produto se houver combustível ou óleo do motor sobre o produto. Remova o combustível/ óleo indesejado e deixe o produto secar. Remova o combustível indesejado do produto.
- Se derramar combustível na sua roupa, troque de roupa imediatamente.
- Não deixe que o combustível entre em contacto com o seu corpo, pois pode causar ferimentos. Se o combustível entrar em contacto com o seu corpo, use sabão e água para o remover.
- Não ligue o motor se derramar óleo ou combustível no produto ou no seu corpo.
- Não ligue o produto se o motor tiver uma fuga. Examine regularmente o motor quanto a fugas.
- Tenha cuidado com o combustível. O combustível é inflamável e os gases são explosivos e podem causar ferimentos ou morte.
- Não respire os gases do combustível, podem causar ferimentos. Certifique-se de que existe um fluxo de ar suficiente.
- Não fume perto de combustível ou do motor.
- Não coloque objetos quentes perto do combustível ou do motor.
- Não acrescente combustível com o motor em funcionamento.

- Certifique-se de que o motor está frio antes de reabastecer.
- Antes de reabastecer, abra lentamente a tampa do depósito de combustível e liberte a pressão com cuidado.
- Não adicione combustível ao motor numa área interior. O fluxo de ar insuficiente pode causar ferimentos ou morte devido a asfixia ou monóxido de carbono.
- Aperte a tampa do depósito de combustível com cuidado ou pode ocorrer um incêndio.
- Desloque o produto a uma distância mínima de 3 m (10 pés) da posição onde abasteceu o depósito antes de começar.
- Não encha demasiado o depósito de combustível.
- Certifique-se de que não ocorrem fugas quando desloca o produto ou o recipiente de combustível.
- Não coloque o produto ou um recipiente de combustível onde houver uma chama aberta, fiação ou luz piloto. Certifique-se de que a área de armazenamento não contém uma chama aberta.
- Utilize apenas recipientes aprovados quando deslocar ou armazenar o combustível.
- Esvazie o depósito de combustível antes do armazenamento a longo prazo. Respeite a legislação local sobre a eliminação de combustível.
- Limpe o produto antes do armazenamento a longo prazo.
- Remova o cabo de vela de ignição antes de armazenar o produto, para se certificar de que o motor não arranca acidentalmente.

## Instruções de segurança para manutenção



**ATENÇÃO:** Leia as instruções de aviso que se seguem antes de efetuar tarefas de manutenção no produto.

- Efetue apenas as tarefas de manutenção e reparação descritas neste manual do utilizador. As outras tarefas de manutenção e reparação devem ser efetuadas por pessoal de manutenção profissional.
- Efetue regularmente as verificações de segurança e cumpra as instruções de manutenção e assistência técnica fornecidas neste manual. A manutenção regular aumenta a vida útil do produto e reduz o risco de acidentes. Consulte *Esquema de manutenção na página 254* para obter instruções.
- Se as verificações de segurança apresentadas neste manual do utilizador não forem aprovadas após efetuar a manutenção, entre em contacto com o seu revendedor com assistência técnica. Garantimos que existem reparações e assistência profissionais disponíveis para o seu produto.

---

# Montagem

---

## Introdução



**ATENÇÃO:** Antes de montar o produto, tem de ler e compreender o capítulo sobre segurança.



**ATENÇÃO:** Retire o cabo da vela de ignição antes de montar o produto.

## Montar o punho fechado

1. Coloque o punho fechado entre as setas no eixo.
2. Aperte o parafuso para fixar o punho fechado no eixo. (Fig. 22)

## Montar o acessório de corte

### Montar a proteção do equipamento de corte

1. Coloque a proteção do equipamento de corte (A) no eixo. (Fig. 23)

2. Coloque o suporte (B) na ranhura da proteção do equipamento de corte.
3. Fixe o parafuso (C), através do orifício no suporte, à proteção do equipamento de corte.

### Fixar a cabeça do aparador

1. Certifique-se de que a proteção do equipamento de corte (A) está fixada ao produto. Consulte *Montar a proteção do equipamento de corte na página 252*. (Fig. 24)
2. Certifique-se de que o acionador (C) está fixado no eixo de saída (D).
3. Coloque a chave estrela (B) no orifício para bloquear o eixo.
4. Coloque a cabeça do aparador (E) no eixo de saída.
5. Rode a cabeça do aparador para a esquerda para a encaixar no eixo de saída. (Fig. 25)
6. Retire a chave estrela.

---

# Funcionamento

---

## Introdução



**ATENÇÃO:** Antes de utilizar o produto, tem de ler e compreender o capítulo sobre segurança.

## Combustível

Este produto tem um motor de dois tempos.



**CUIDADO:** O tipo errado de combustível pode resultar em danos no motor. Utilize uma mistura de gasolina e óleo para motor de dois tempos.

### Combustível previamente misturado

- Utilize combustível alquilado previamente misturado da Husqvarna de boa qualidade para obter o melhor desempenho e prolongar a vida útil do motor. Este combustível contém substâncias químicas menos nocivas em comparação com o combustível normal, o que reduz os gases de escape nocivos. A quantidade de resíduos após a combustão é inferior com este combustível, o que mantém os componentes do motor mais limpos.

## Para misturar o combustível

### Gasolina



**CUIDADO:** Não utilize gasolina com um índice de octanas inferior a 90 RON (87 AKI). Caso contrário, pode causar danos no produto.



**CUIDADO:** Não utilize gasolina com mais de 10% de concentração de etanol (E10). Caso contrário, pode causar danos no produto.

- Utilize sempre gasolina sem chumbo nova com um índice de octanas mínimo de 90 RON (87 AKI) e com menos de 10% de concentração de etanol (E10).
- Utilize gasolina com um índice de octanas superior se costumar utilizar o produto a uma velocidade do motor continuamente elevada.

### Óleo para motores a dois tempos

- Para obter melhores resultados e desempenho, use o óleo para motor de dois tempos da Husqvarna.
- Se o óleo para motores de dois tempos da Husqvarna não estiver disponível, use um óleo para motores de dois tempos de boa qualidade destinado

a motores arrefecidos a ar. Entre em contacto com o seu revendedor com assistência técnica para seleccionar o óleo correto.



**CUIDADO:** Não use óleo para motores de dois tempos formulado para motores fora de borda arrefecidos a água, também conhecido como óleo para motores fora de borda. Não utilize óleo para motores a quatro tempos.

### Misturar gasolina e óleo para motores de dois tempos

Gasolina, litros	Óleo para motor de dois tempos, litros
	<b>2% (50:1)</b>
5	0,10
10	0,20
15	0,30
20	0,40



**CUIDADO:** Ao misturar pequenas quantidades de combustível, existe o risco de pequenos erros poderem influenciar drasticamente a proporção da mistura. Meça cuidadosamente a quantidade de óleo e certifique-se de que obtém a mistura correta.

(Fig. 26)

1. Encha metade da quantidade de gasolina num recipiente limpo para combustível.
2. Adicione a quantidade total de óleo.
3. Agite bem a mistura de combustível.
4. Adicione a restante quantidade de gasolina ao recipiente.
5. Agite cuidadosamente a mistura de combustível.



**CUIDADO:** Não misture combustível para mais de 1 mês de cada vez.

### Adicionar combustível

- Utilize sempre um recipiente de combustível com uma proteção contra enchimento excessivo.
- Se houver algum combustível no recipiente, retire o combustível indesejado e deixe o recipiente secar.
- Certifique-se de que a área perto da tampa do depósito de combustível está limpa.

- Agite o recipiente de combustível antes de adicionar a mistura de combustível ao depósito de combustível.

### Para efetuar a rodagem

- Durante as primeiras 10 horas de funcionamento, não aplique a aceleração total sem carga durante longos períodos de tempo.

### Ligar e desligar

#### Examinar antes de começar

1. Certifique-se de que o produto não tem peças em falta, danificadas, soltas ou desgastadas.
2. Certifique-se de que as porcas, os parafusos e os pernos estão apertados.
3. Certifique-se de que a cabeça do aparador não está danificada.
4. Certifique-se de que o filtro de ar não está obstruído.
5. Certifique-se de que os dispositivos de segurança do produto não estão danificados.
6. Certifique-se de que o produto não apresenta fugas de combustível.

#### Arrancar com o motor frio

1. Empurre a ampola da purga de ar 10 vezes. (Fig. 27)
2. Puxe o controlo do estrangulador para cima. (Fig. 28)
3. Pressione o corpo do produto contra o solo com a mão esquerda. (Fig. 29) Não pise o produto. Puxe o punho do cabo de arranque lentamente até sentir alguma resistência. Em seguida, puxe o punho do cabo de arranque com vigor.

**Nota:** Não puxe o acelerador enquanto liga o motor.

4. Continue a puxar o punho do cabo de arranque até que o motor arranque ou tente arrancar (puxe no máx. 3 vezes). Se o motor arrancar ou tentar arrancar, puxe o controlo do estrangulador para baixo. Continue a puxar até que o motor arranque. Aguarde 60 segundos depois de um arranque antes de puxar o acelerador.



**CUIDADO:** Não puxe o cabo de arranque até que pare. Não largue o cabo de arranque quando estiver totalmente estendido. Solte o cabo de arranque lentamente. O não cumprimento destas instruções pode causar danos ao motor.

#### Arranque com o motor quente

1. Empurre a ampola da purga de ar 10 vezes.
2. Puxe o cabo de arranque até que o motor arranque.

## Para arrancar o motor quando o combustível está demasiado quente

Se o produto não arrancar, o combustível pode estar demasiado quente.

**Nota:** Utilize sempre combustível novo e reduza as horas de funcionamento durante o tempo quente.

1. Coloque o produto num local fresco sem exposição à luz solar direta.
2. Deixe o produto arrefecer durante, no mínimo, 20 minutos.
3. Prima novamente a ampola da purga de ar durante 10-15 segundos.
4. Siga o procedimento de arranque a frio. Consulte *Arrancar com o motor frio na página 253*.

## Parar

- Empurre o interruptor de paragem para parar o motor. (Fig. 30)

**Nota:** O interruptor de paragem regressa automaticamente à sua posição inicial.

## Operar o aparador de relva



**CUIDADO:** Certifique-se de que abranda o motor ao ralenti após cada utilização. Um longo período em aceleração total sem carga no motor pode causar danos ao motor.

**Nota:** Limpe a tampa da cabeça do aparador quando montar uma nova linha do aparador para evitar vibrações. Examine outras peças da cabeça do aparador e limpe se necessário.

## Aparar a relva

1. Mantenha a cabeça do aparador um pouco acima do solo a um determinado ângulo. Não empurre a linha do aparador para a relva. (Fig. 31)
2. Reduza o comprimento da linha do aparador em 10-12 cm/4-4,75 pol.

3. Reduza a velocidade do motor para diminuir o risco de danos nas plantas.
4. Utilize 80% da aceleração quando cortar relva perto de objetos. (Fig. 32)

## Cortar a relva

1. Certifique-se de que a linha do aparador de relva está paralela ao solo quando cortar. (Fig. 33)
2. Não empurre a cabeça do aparador para o solo. O solo e o produto podem ser danificados.
3. Não deixe a cabeça do aparador tocar no solo continuamente; pode causar danos à cabeça do aparador.
4. Utilize a aceleração total quando deslocar o produto de um lado para o outro para cortar a relva. Certifique-se de que a linha do aparador de relva está paralela ao solo. (Fig. 34)

## Cabeça do aparador de relva

- Certifique-se de que enrola a linha do aparador de relva com firmeza e igualmente em redor do tambor para reduzir a vibração.
- Utilize apenas as cabeças e as linhas do aparador de relva aprovadas. Consulte o capítulo *Acessórios na página 258*.
- Utilize um comprimento correto da linha do aparador de relva. Uma linha de aparador de relva longa utiliza mais potência do motor do que uma linha de um aparador de relva curta.
- Certifique-se de que o cortador da proteção do acessório de corte não está danificado.
- Embeba a linha do aparador de relva em água durante 2 dias antes de a fixar ao produto. Isso prolonga a vida útil da linha do aparador de relva.

## Substituir a linha do aparador

(Fig. 35)

(Fig. 36)

(Fig. 37)

(Fig. 38)

(Fig. 39)

(Fig. 40)

(Fig. 41)

(Fig. 42)

# Manutenção

## Introdução



**ATENÇÃO:** Antes de efetuar a manutenção, tem de ler e compreender o capítulo sobre segurança.

É necessária formação especial para realizar qualquer tarefa de manutenção ou reparação. Garantimos a disponibilidade de reparações e manutenção profissionais. Se o seu revendedor não for uma oficina

autorizada, pergunte-lhes onde se situa a oficina autorizada mais próxima.

## Esquema de manutenção

### Controle semanal

- Limpe as superfícies externas.
- Certifique-se de que o equipamento de corte não se desloca ao ralenti. Consulte *Ajustar o ralenti na página 255*.

- Examine o nível de massa lubrificante na engrenagem cônica. Consulte *Adicionar massa lubrificante à engrenagem cônica na página 256*.

### Manutenção mensal

- Certifique-se de que o punho do cabo de arranque e o cabo de arranque não estão danificados.

### Manutenção anual

- Examine a vela de ignição. Consulte *Examinar a vela de ignição na página 255*
- Limpe as superfícies externas do carburador e áreas adjacentes.
- Limpe o sistema de arrefecimento.
- Examine a rede retentora de faíscas. Consulte *Realizar tarefas de manutenção na rede retentora de faíscas na página 255*.
- Examine o filtro de combustível.
- Certifique-se de que a mangueira de combustível não está danificada.
- Certifique-se de que os cabos e ligações do produto não estão danificados.

### Ajustar o ralenti

- Certifique-se de que o filtro de ar está limpo e que a cobertura do filtro de ar está montada antes de ajustar a velocidade de ralenti.
  - Ajuste o ralenti com o parafuso em T de ajuste do ralenti, identificado com a marca "T".
  - O ralenti está correto se o motor funcionar suavemente em todas as posições. O ralenti tem de ser inferior à velocidade se o acessório de corte começar a rodar.
1. Rode o parafuso de ajuste do ralenti para a direita até o acessório de corte começar a rodar. (Fig. 43)
  2. Rode o parafuso de ajuste do ralenti para a esquerda até o acessório de corte parar.

### Realizar tarefas de manutenção na rede retentora de faíscas

Utilize uma escova metálica para limpar a rede retentora de faíscas.

(Fig. 44)

### Limpar o sistema de arrefecimento

Limpe as peças do sistema de arrefecimento com uma escova.

(Fig. 45)

### Examinar a vela de ignição



**CUIDADO:** Utilize a vela de ignição recomendada. Certifique-se de que a peça de substituição é idêntica à peça fornecida pelo fabricante. Uma vela de ignição incorreta pode causar danos ao produto.

1. Examine a vela de ignição se:
  - a) o motor estiver com baixa potência.
  - b) for difícil ligar o motor.
  - c) o motor não funcionar corretamente ao ralenti.
2. Se não for fácil ligar ou operar o motor, examine a vela de ignição quanto a materiais indesejados. Para diminuir o risco de materiais indesejados nos elétrodos da vela de ignição:
  - a) certifique-se de que o ralenti está corretamente ajustado.
  - b) certifique-se de que a mistura de combustível está correta.
  - c) certifique-se de que o filtro de ar está limpo.
3. Limpe a vela de ignição se estiver suja. Verifique se a distância entre os elétrodos é a correta. (Fig. 46)
4. Substitua a vela de ignição quando necessário.

### Realizar tarefas de manutenção do filtro de ar

#### Para limpar o filtro de ar

1. Retire a cobertura do filtro de ar e o filtro de ar. (Fig. 47)
2. Limpe o filtro de ar com água quente com sabão. Certifique-se de que o filtro de ar está seco antes de o instalar.
3. Substitua o filtro de ar caso esteja demasiado sujo para o limpar totalmente. Substitua sempre um filtro de ar danificado.
4. Se o seu produto possui um filtro de ar de espuma, aplique óleo do filtro de ar. Aplique apenas óleo do filtro de ar a um filtro de espuma. Não aplique óleo a um filtro de feltro.

#### Aplicar óleo do filtro de ar ao filtro de ar



**CUIDADO:** Utilize sempre óleo do filtro de ar especial em filtros de ar de espuma. Não utilize outros tipos de óleo.



**ATENÇÃO:** Não deixe o óleo entrar em contacto com o seu corpo.

1. Retire a cobertura do filtro de ar e o filtro de ar. (Fig. 48)
2. Coloque o filtro de ar num saco de plástico.
3. Coloque o óleo do filtro de ar no saco de plástico. (Fig. 49)
4. Empurre o saco de plástico para se certificar de que o óleo é fornecido uniformemente através do filtro de ar.

5. Empurre o filtro de ar, enquanto estiver no saco, para remover o óleo do filtro de ar que não seja necessário. Remova o filtro de ar do saco. (Fig. 50)
6. Instale o filtro de ar.

## Adicionar massa lubrificante à engrenagem cônica

Certifique-se de que a engrenagem cônica apresenta 3/4 do volume total de massa lubrificante.

---

## Resolução de problemas

---

### O motor não arranca

Verificação	Causa possível	Procedimento
Interruptor de paragem.	O interruptor de paragem está na posição de paragem.	Leve o contacto de paragem à posição de arranque.
Prendedores de arranque.	Os prendedores de arranque não conseguem movimentar-se livremente.	Retire a cobertura do dispositivo de arranque e limpe a área circundante dos prendedores de arranque. Solicite ajuda numa oficina autorizada.
Depósito de combustível.	Tipo de combustível errado.	Drene o depósito de combustível e encha-o com o combustível correto.
Vela de ignição.	A vela de ignição está suja ou molhada.	Certifique-se de que a vela de ignição está seca e limpa.
	A distância entre os eléctrodos da vela de ignição está incorreta.	Limpe a vela de ignição. Certifique-se de que a distância entre os eléctrodos está correta. Certifique-se de que a vela de ignição tem um supressor. Consulte as especificações técnicas para obter informações sobre a distância entre eléctrodos.
	A vela de ignição está solta.	Aperte a vela de ignição.

### O motor arranca mas para novamente

Verificação	Causa possível	Procedimento
Depósito de combustível	Tipo de combustível errado.	Esvazie o depósito de combustível e encha-o com o combustível correto.
Filtro de ar	O filtro de ar está obstruído.	Limpe o filtro de ar.



## Transporte, armazenamento e eliminação

### Transporte e armazenamento

- Deixe o produto arrefecer antes de o transportar ou armazenar.
- Remova a cobertura da vela de ignição antes do armazenamento a longo prazo.
- Prenda o produto durante o transporte. Certifique-se de que o produto não se move.
- Certifique-se de que não existe risco de fugas de combustível, vapores de combustível, faíscas ou chamas durante o transporte e armazenamento.
- Limpe e efetue a manutenção do produto antes do armazenamento a longo prazo.

## Especificações técnicas

### Especificações técnicas

	<b>325L</b> <b>A05328CSHV</b>
<b>Motor</b>	
Cilindrada, cm <sup>3</sup>	27,6
Velocidade ao ralenti, rpm	2800 - 3200
Rotação em aceleração máxima recomendada, r/min	8000
Energia/Potência máx. do motor de acordo com a ISO 8893, kW/hp @ rpm	0,9/1,2 @ 8000
Silenciador com catalisador	Sim
Velocidade do eixo de saída, rpm	7200
<b>Sistema de ignição</b>	
Vela de ignição	Husqvarna HQT-4
Distância entre os elétrodos, mm	0,5
<b>Sistema de combustível</b>	
Capacidade do depósito de combustível, l/cm <sup>3</sup>	0,343/343
<b>Dimensões do produto</b>	
Peso (sem equipamento de corte), kg	5,0
<b>Emissões de ruído<sup>58</sup></b>	
Nível de potência sonora, garantido (L <sub>WA</sub> ), dB(A)	114
Nível de potência sonora, medido, dB(A)	110

<sup>58</sup> Emissões de ruído para as imediações, medidas sob forma de potência sonora (L<sub>WA</sub>) em conformidade com a diretiva da CE 2000/14/CE. O nível de potência sonora registado para o produto foi medido com o equipamento de corte original que debita o nível mais alto. A diferença entre a potência sonora garantida e medida é que a potência sonora garantida inclui também a dispersão no resultado da medição e as variações entre diferentes produtos do mesmo modelo, de acordo com a diretiva 2000/14/CE.

	<b>325L</b> <b>A05328CSHV</b>
<b>Níveis acústicos<sup>59</sup></b>	
Nível de pressão sonora no ouvido do operador, equipado com cabeça de aparador, dB(A)	93
<b>Níveis de vibração<sup>60</sup></b>	
Nível de vibração equivalente (ahv, eq), equipado com cabeça de aparador, punho esquerdo, m/s <sup>2</sup>	4,2
Nível de vibração equivalente (ahv, eq), equipado com cabeça de aparador, punho direito, m/s <sup>2</sup>	6,1

---

## Acessórios

---

### Acessórios

Acessórios aprovados	Tipo	Proteção do acessório de corte
Eixo roscado	M10L	
Cabeçote de recorte	T35, Ø 2,4 mm	588 54 37-01

<sup>59</sup> Os dados registados para o nível de pressão sonora equivalente para o produto têm uma dispersão estatística típica (desvio padrão) de 1 dB(A).

<sup>60</sup> Os dados comunicados relativamente ao nível de vibração equivalente têm uma dispersão estatística típica (desvio padrão) de 1 m/s<sup>2</sup>.

---

## Declaração CE de conformidade

---

### Conteúdo da declaração de conformidade CE

A Husqvarna AB, SE 561 82 Huskvarna, SUÉCIA, declara, sob sua inteira responsabilidade, que o produto representado:

<b>Descrição</b>	<b>Aparador de relva/roçadora a gasolina</b>
Marca	Husqvarna
Plataforma/Tipo/Modelo	Plataforma A05328CSHV, representando o modelo 325L.
Lote	Número de série referente a 2018 e posteriores.

está em plena conformidade com as seguintes diretivas e regulamentos da UE:

<b>Diretiva/Regulamento</b>	<b>Descrição</b>
2006/42/CE	"relativa a máquinas"
2014/30/UE	"relativa à compatibilidade eletromagnética"
2000/14/CE	"relativa ao ruído exterior"
2011/65/UE	"restrição do uso de determinadas substâncias perigosas"

As normas harmonizadas e/ou especificações técnicas aplicadas são as que se seguem: EN ISO 12100, EN ISO 11806-1, CISPR 12, ISO 14982, EN 50581:2012 .

Em conformidade com a Diretiva 2000/14/CE, Anexo V, os valores de som declarados são indicados na secção de especificações técnicas deste manual e na Declaração de conformidade da CE assinada.

A TÜV Rheinland N.A. executou um controlo voluntário em nome da Husqvarna AB, de modo a fornecer um Certificado de conformidade com a Diretiva 2006/42/CE do Conselho da CE relativa a máquinas.

O certificado, conforme fornecido na Declaração de conformidade da CE assinada, é aplicável a todos os locais de fabrico e países de origem, conforme indicado no produto.

O aparador de relva e/ou a roçadora a gasolina fornecidos estão em conformidade com o exemplo que foi examinado.

---

## CUPRINS

---

Introducere.....	260	Depanarea.....	269
Siguranță.....	261	Transportul, depozitarea și eliminarea.....	269
Asamblarea.....	265	Date tehnice.....	270
Funcționarea.....	265	Accesorii.....	271
Întreținerea.....	267	Declarație de conformitate CE.....	272

---

## Introducere

---

### Manualul operatorului

Limba originală a acestui manual al operatorului este engleză. Manualele operatorului în alte limbi reprezintă traduceri din limba engleză.

### Domeniul de utilizare

Produsul este utilizat cu un cap de tuns pentru a tăia iarba. Nu utilizați produsul pentru alte activități decât tunsul gazonului și curățarea ierbii.

### Prezentarea generală a produsului

(Fig. 1)

1. Cap de tuns
2. Capac dispozitiv de ungere
3. Angrenaj conic
4. Apărătoare pentru accesorii de tăiere
5. Arbore
6. Mâner semicircular
7. Pârghie accelerație
8. Comutator oprire
9. Element blocare pârghie accelerație
10. Pipă bujie, bujie
11. Carcasă demaror
12. Mâner pentru șnurul de pornire
13. Rezervor de combustibil
14. Capac filtru de aer
15. Buton purjor aer
16. Acționare șoc
17. Disc de antrenare
18. Manualul operatorului
19. Cheie în stea

### Simbolurile de pe produs

- (Fig. 2) **AVERTISMENT!** Acest produs este periculos. Dacă produsul nu este utilizat corect și cu atenție, operatorul sau persoanele din zonă pot suferi vătămări corporale sau deces. Pentru a preveni vătămarea corporală a operatorului sau a persoanelor din zonă, citiți și respectați toate

**Nota:** Reglementările la nivel național pot stabili limite ale funcționării produsului.

---

instrucțiunile de siguranță din manualul operatorului.

- (Fig. 3) Citiți cu atenție manualul operatorului și asigurați-vă că înțelegeți instrucțiunile înainte de utilizare.

(Fig. 4) Utilizați un sistem omologat de protecție a auzului. Utilizați ochelari de protecție omologați.

(Fig. 5) Produsul poate determina proiectarea de obiecte, ceea ce poate produce vătămări corporale.

(Fig. 6) Turația maximă a arborelui de ieșire.

(Fig. 7) Păstrați o distanță de minimum 15 m / 50 ft față de persoane și animale în timpul utilizării produsului.

(Fig. 8) Utilizați numai firul flexibil al trimmerului

(Fig. 9) Nu utilizați elemente de tăiere metalice

(Fig. 10) Săgețile indică limitele de poziție a mânerului.

(Fig. 11) Buton purjor.

(Fig. 12) Șoc.

(Fig. 13) Realimentarea cu carburant.

(Fig. 14) Pentru informații despre emisiile de zgomot în mediul înconjurător, consultați Directiva Comunității Europene. Nivelul de emisii al

produsului este specificat în capitolul Date tehnice și pe etichetă.

(Fig. 15) Produsul este în conformitate cu directivele CE aplicabile.

(Fig. 16) Produsul este în conformitate cu directivele EAC aplicabile.

Plăcuța de identificare afișează seria. **aaaa** este anul producției, **ss** este săptămâna producției, iar **xxxx** este numărul de ordine.

**aaaassxxxx**

**Nota:** Alte simboluri/autocolante de pe produs se referă la cerințele de certificare pentru alte zone comerciale.

## Răspunderea pentru produs

Conform prevederilor legislației privind răspunderea pentru produs, nu ne asumăm răspunderea pentru daunele cauzate de produsul nostru dacă:

- produsul este reparat necorespunzător.
- produsul este reparat cu piese care nu provin de la producător sau care nu sunt aprobate de acesta.
- produsul are un accesoriu care nu provine de la producător sau care nu este aprobat de acesta.
- produsul nu este reparat la un centru de service omologat sau de o autoritate omologată.

## EU V



**AVERTISMENT:** În urma modificării neautorizate a motorului, este anulată aprobarea de tip UE pentru acest produs.

## Siguranță

### Definiții privind siguranța

Avertismentele, atenționările și notele sunt utilizate pentru a desemna părți foarte importante din manual.



**AVERTISMENT:** Se utilizează dacă există risc de vătămare sau de deces pentru operator sau pentru trecători, în cazul în care instrucțiunile din manual nu sunt respectate.



**ATENȚIE:** Se utilizează dacă există un risc de deteriorare a produsului, a altor materiale sau a zonelor învecinate, dacă instrucțiunile din manual nu sunt respectate.

**Nota:** Se utilizează pentru a furniza mai multe informații care sunt necesare într-o situație dată.

### Siguranță vibrație

Acest produs este destinat doar pentru utilizare ocazională. Utilizarea continuă sau regulată a produsului poate cauza simptomul de „degete albe” sau alte probleme de natură medicală din cauza vibrațiilor. Examinați starea mâinilor și degetelor dacă utilizați produsul în mod continuu sau regulat. Dacă mâinile sau degetele s-au decolorat, vă dor, simțiți furnicături sau sunt amorțite, încetați lucrul și contactați imediat un medic.

### Instrucțiuni generale de siguranță



**AVERTISMENT:** Înainte de a utiliza produsul, citiți instrucțiunile de avertizare de mai jos.

- Utilizați produsul în mod corespunzător. Vătămările corporale sau decesul constituie un posibil rezultat al utilizării incorecte. Utilizați produsul numai pentru operațiile din acest manual. Nu utilizați produsul pentru alte sarcini.
- Respectați instrucțiunile din acest manual. Respectați simbolurile de siguranță și instrucțiunile de siguranță. Dacă operatorul nu respectă instrucțiunile și simbolurile, pot apărea vătămări corporale, daune materiale sau decese.
- Nu aruncați acest manual. Utilizați instrucțiunile pentru a asambla, a opera și a păstra produsul în stare bună. Utilizați instrucțiunile pentru instalarea corectă a accesoriilor. Utilizați numai accesorii aprobate.
- Nu utilizați un produs deteriorat. Respectați programul de întreținere. Efectuați numai operațiile de întreținere pentru care există instrucțiuni în acest manual. Un centru de service omologat trebuie să execute toate celelalte operații de întreținere.
- Acest manual nu poate include toate situațiile care pot apărea atunci când utilizați produsul. Procedați cu atenție și folosiți-vă simțul practic. Nu operați produsul și nu efectuați operații de întreținere la acesta dacă nu sunteți sigur cu privire la situație. Discutați cu un expert de produs, cu distribuitorul, cu

agentul de service sau cu centrul de service omologat pentru informații.

- Deconectați cablul bujiei înainte de a asambla produsul, de a depozita produsul sau de a efectua operații de întreținere.
- Nu utilizați produsul dacă specificația sa inițială se modifică. Nu modificați o componentă a produsului fără aprobarea producătorului. Utilizați numai piese aprobate de producător. Vătămările corporale sau decesul constituie un posibil rezultat al întreținerii incorecte.
- Nu respirați în atmosfera cu vapori emiși de motor. Inhalarea pe termen lung a gazelor de eșapament ale motorului constituie un risc pentru sănătate.
- Nu porniți produsul în interior sau în apropierea unor materiale inflamabile. Gazele de eșapament sunt fierbinți și pot conține scânteii care pot declanșa incendii. Un flux de aer insuficient poate cauza vătămare corporală sau deces din cauza asfixierii sau a monoxidului de carbon.
- Când utilizați acest produs motorul generează un câmp electromagnetic. Câmpul electromagnetic poate cauza deteriorarea implanturilor medicale. Discutați cu medicul dvs. și cu producătorul implantului medical înainte de a opera produsul.
- Nu permiteți copiilor să utilizeze produsul. Nu permiteți niciunei persoane care nu cunoaște instrucțiunile să utilizeze produsul.
- Asigurați-vă că monitorizați permanent o persoană cu capacități fizice sau mentale reduse care utilizează produsul. Un adult responsabil trebuie să fie prezent în permanență.
- Încuiați produsul într-o zonă inaccesibilă copiilor și persoanelor neaprobate.
- Produsul poate proiecta obiecte și poate cauza vătămări corporale. Respectați instrucțiunile de siguranță, pentru a reduce pericolul de vătămări corporale sau de deces.
- Nu vă îndepărtați de produs atunci când motorul este pornit.
- În caz de accident, operatorul produsului este responsabil pentru acesta.
- Înainte de a utiliza produsul, asigurați-vă că piesele nu sunt deteriorate.
- Asigurați-vă că vă aflați la minimum 15 m (50 ft) distanță de alte persoane sau animale înainte de utiliza produsul. Asigurați-vă că persoanele din apropiere știu că urmează să utilizați produsul.
- Consultați legislația națională sau locală. Aceasta poate interzice sau poate limita utilizarea produsului în unele situații.
- Nu utilizați produsul atunci când sunteți obosit sau dacă vă aflați sub influența alcoolului, drogurilor sau medicamentelor. Acestea vă pot influența negativ vederea, vigilența, coordonarea mișcărilor sau discernământul.

## Instrucțiuni de siguranță pentru asamblare



**AVERTISMENT:** Înainte de a utiliza produsul, citiți instrucțiunile de avertizare de mai jos.

- Demontați pipa bujiei din bujie înainte de a asambla produsul.
- Utilizați mănuși de protecție omologate.
- Asigurați-vă că asamblați corect capacul și arborele înainte de a porni motorul.

## Instrucțiuni de siguranță pentru utilizare

- Înainte de a utiliza produsul, asigurați-vă că este complet asamblat.
  - Înainte de a porni produsul, deplasați-l la 3 m (10 ft) distanță de punctul unde ați umplut rezervorul de carburant. Poziționați produsul pe o suprafață plană. Asigurați-vă că accesoriul de tăiere nu atinge solul sau alte obiecte.
  - Produsul poate determina proiectarea de obiecte, ceea ce poate conduce la leziuni oculare. Când operați produsul, utilizați întotdeauna ochelari de protecție omologate.
  - Fiți atent, copiii se pot apropia de produs, fără știrea dvs., în timpul funcționării.
  - Nu utilizați produsul dacă se află persoane în zona de lucru. Opriți produsul dacă o persoană intră în zona de lucru.
  - Asigurați-vă că aveți permanent control asupra produsului.
  - Nu utilizați produsul dacă nu puteți primi ajutor în caz de accident. Asigurați-vă întotdeauna că alte persoane știu că veți utiliza produsul, înainte ca dvs. să începeți utilizarea produsului.
  - Nu acționați produsul înainte de a vă asigura că nicio persoană și niciun animal nu se află în zona de siguranță.
  - Înainte de a începe, eliminați toate materialele nedorite din zona de lucru. Dacă accesoriul de tăiere lovește un obiect, acesta poate fi proiectat și poate cauza vătămări corporale sau deteriorări. Materialele nedorite se pot înfășura în jurul accesoriului de tăiere și pot cauza deteriorări.
  - Nu utilizați produsul în condiții meteorologice nefavorabile (ceață, ploaie, vânt puternic, pericol de descărcări electrice sau alte condiții meteo). Vremea nefavorabilă poate conduce la apariția de situații periculoase (de ex. suprafețe alunecoase).
  - Asigurați-vă că vă puteți deplasa liber și că puteți lucra într-o poziție stabilă.
- (Fig. 17)
- Asigurați-vă că nu puteți cădea în timp ce utilizați produsul. Nu înclinați produsul în timp ce-l utilizați.

- Țineți întotdeauna produsul cu ambele mâini. Țineți produsul pe partea dreaptă a corpului. (Fig. 18)
- Operați produsul cu accesoriul de tăiere amplasat sub nivelul taliei.
- Dacă acționarea șocului se află în poziția clapetei de șoc la pornirea motorului, accesoriul de tăiere începe să se rotească.
- Nu atingeți angrenajul conic după oprirea motorului. După oprirea motorului, angrenajul conic este fierbinte. Suprafețele fierbinți pot provoca vătămări corporale.
- Oprți motorul înainte de a muta produsul.
- Nu așezați produsul jos cu motorul pornit.
- Înainte de a elimina materialele nedorite din produs, oprți motorul și așteptați oprirea accesoriului de tăiere. Lăsați accesoriul de tăiere să se oprească, înainte ca dvs. sau o persoană care vă ajută să eliminați materialul tăiat.

## Echipament de protecție personală



**AVERTISMENT:** Înainte de a utiliza produsul, citiți instrucțiunile de avertizare de mai jos.

- Utilizați întotdeauna echipamentul individual de protecție atunci când operați produsul. Echipamentul individual de protecție nu elimină pericolul de vătămări corporale. Echipamentul individual de protecție reduce gravitatea vătămării corporale în cazul producerii unui accident.
- În timp ce operați produsul, utilizați întotdeauna ochelari de protecție omologăți.
- Nu operați produsul desculț sau cu pantofi decupați. Utilizați întotdeauna ghetete pentru regim greu de lucru, rezistente la alunecare.
- Utilizați pantaloni lungi, groși.
- Dacă este necesar, utilizați mănuși de protecție omologate.
- Utilizați o cască dacă există riscul de a vă cădea obiecte în cap.
- În timp ce operați produsul, utilizați întotdeauna protecții pentru ureche omologate. Zgomotul prelungit poate cauza pierderea auzului indusă de zgomot.
- Asigurați-vă că aveți în apropiere o trusă de prim-ajutor.

## Dispozitivele de siguranță de pe produs



**AVERTISMENT:** Înainte de a utiliza produsul, citiți instrucțiunile de avertizare de mai jos.

- Nu utilizați un produs cu dispozitive de siguranță deteriorate.

- Verificați regulat dispozitivele de siguranță. Consultați *Prezentarea generală a produsului la pagina 260*.
- Dacă dispozitivele de siguranță sunt defecte, adresați-vă reprezentantului de service Husqvarna.

## Element blocare pârghie accelerație

Elementul de blocare a pârghiei de accelerație blochează pârghia de accelerație.

(Fig. 19)

Împingeți elementul de blocare a pârghiei de accelerație (A) pentru a debloca pârghia de accelerație (B). La eliberarea mânerului, elementul de blocare a pârghiei de accelerație și pârghia de accelerație revin la pozițiile inițiale.

1. Asigurați-vă că pârghia de accelerație (B) este blocată la ralanti atunci când eliberați elementul de blocare a pârghiei de accelerație (A).
2. Împingeți elementul de blocare a pârghiei de accelerație (A) și asigurați-vă că revine la poziția inițială atunci când îl eliberați.
3. Împingeți pârghia de accelerație (A) și asigurați-vă că revine la poziția inițială atunci când o eliberați.

Porniți motorul și aplicați-i accelerație maximă. Eliberați pârghia de accelerație și verificați dacă accesoriul de tăiere se oprește. Dacă accesoriul de tăiere se rotește cu accelerația în poziția de ralanti, examinați șurubul de reglare a ralantiului de la carburator.

## Buton oprire

Porniți motorul. Asigurați-vă că motorul se oprește atunci când deplasați comutatorul de oprire în poziția de oprire.

(Fig. 20)

## Apărătoare pentru accesoriul de tăiere

Apărătoarea accesoriului de tăiere previne proiectarea unui obiect liber în direcția operatorului.

(Fig. 21)

Verificați integritatea apărătoarei accesoriului de tăiere și înlocuiți-o, dacă este deteriorată. Utilizați numai apărătoarea aprobată pentru accesoriul de tăiere.

## Eșapamentul

- Nu utilizați un motor cu un amortizor de zgomot deteriorat. Un amortizor de zgomot deteriorat determină creșterea nivelului de zgomot și a pericolului de incendiu. Păstrați un stingător de incendiu în apropiere.
- Verificați cu regularitate ca amortizorul de zgomot să fie atașat la produs.
- Nu atingeți motorul sau amortizorul de zgomot în timp ce motorul este pornit. Nu atingeți motorul sau amortizorul de zgomot pentru o perioadă după oprirea motorului. Zonele fierbinți pot provoca vătămări corporale.

- Un amortizor de zgomot fierbinte poate cauza incendii. Fiți atent dacă utilizați produsul în apropierea lichidelor inflamabile sau a vaporilor.
- Nu atingeți componente ale amortizorului de zgomot dacă acesta este deteriorat. Componentele pot conține materiale carcinogenice.

## Accesorii de tăiere



**AVERTISMENT:** Înainte de a utiliza produsul, citiți instrucțiunile de avertizare de mai jos.

- Efectuați întreținerea cu regularitate. Permiteți unui centru de service omologat să examineze cu regularitate accesoriul de tăiere, pentru a efectua reglaje sau reparații.
  - Performanțele accesoriului de tăiere se diminuează.
  - Durata de viață a accesoriului de tăiere crește.
  - Riscul de accidente scade.
- Utilizați numai o apărătoare omologată pentru accesoriul de tăiere. Pentru mai multe informații, consultați *Accesorii la pagina 271*.
- Nu utilizați un accesoriu de tăiere deteriorat.

## Reguli de siguranță referitoare la carburant



**AVERTISMENT:** Înainte de a utiliza produsul, citiți instrucțiunile de avertizare de mai jos.

- Nu amestecați carburantul în interior, sau lângă o sursă de încălzire.
- Nu porniți produsul dacă pe acesta se află carburant sau ulei pentru motor. Îndepărtați carburantul/uleiul nedorit și lăsați produsul să se usuce. Îndepărtați carburantul nedorit din produs.
- Dacă vărsați carburantul pe îmbrăcăminte, schimbați imediat hainele.
- Nu vărsați carburantul pe corp - poate provoca vătămări corporale. Dacă vărsați carburant pe corp, utilizați apă și săpun pentru a elimina carburantul.
- Nu porniți motorul dacă vărsați ulei sau carburant pe produs sau pe corp.
- Nu porniți produsul dacă motorul prezintă scurgeri. Examinați cu regularitate motorul, pentru a identifica eventuale scurgeri.
- Manipulați cu atenție carburantul. Carburantul este inflamabil, vaporii sunt explozivi și pot cauza vătămări corporale sau deces.
- Nu respirați vaporii de carburant, se pot produce vătămări corporale. Asigurați-vă că fluxul de aer este suficient.
- Nu fumați în apropierea carburantului sau a motorului.
- Nu amplasați obiecte calde în apropierea carburantului sau a motorului.

- Nu adăugați carburant atunci când motorul este pornit.
- Asigurați-vă că motorul este rece înainte de a realimenta.
- Înainte de a realimenta, deschideți lent capacul rezervorului de carburant și eliberați cu atenție presiunea.
- Nu adăugați carburant la motor într-o zonă interioară. Un flux de aer insuficient poate cauza vătămare corporală sau deces din cauza asfixierii sau a monoxidului de carbon.
- Strângeți cu atenție capacul rezervorului de carburant; în caz contrar, se pot produce incendii.
- Înainte de a porni, mutați produsul la o distanță de minimum 3 m (10 ft) față de poziția unde ați umplut rezervorul.
- Nu introduceți prea mult carburant în rezervorul de carburant.
- Asigurați-vă că nu se pot produce scurgeri atunci când mutați produsul sau rezervorul de carburant.
- Nu poziționați produsul sau rezervorul de carburant în apropierea unei flăcări deschise, a scânteilor sau a unei lumini pilot. Asigurați-vă că în zona de depozitare nu se află flăcări deschise.
- Utilizați numai recipiente omologate atunci când mutați carburantul sau îl introduceți în spațiul de depozitare.
- Goliiți rezervorul de carburant înainte de a-l depozita pe termen lung. Respectați legislația locală cu privire la locația de eliminare a carburantului.
- Curățați produsul înainte de depozitarea pe termen lung.
- Îndepărtați cablul bujei înainte de a introduce produsul în spațiul de depozitare, pentru a vă asigura că motorul nu pornește accidental.

## Instrucțiuni de siguranță pentru întreținere



**AVERTISMENT:** Înainte de a efectua lucrări de întreținere asupra produsului, citiți instrucțiunile de avertisment de mai jos.

- Efectuați numai operațiile de întreținere și service indicate în acest manual al operatorului. Lăsați personalul de servicii profesionale să efectueze toate celelalte operații de service și reparații.
- Efectuați periodic verificările de siguranță, instrucțiunile de întreținere și de service indicate în acest manual. Întreținerea periodică crește durata de viață a produsului și scade pericolul de accidente. Consultați *Program de întreținere la pagina 267* pentru instrucțiuni.
- Dacă nu sunt aprobate verificările de siguranță din acest manual al operatorului, după ce efectuați operațiile de întreținere, adresați-vă reprezentantului de service. Vă garantăm că există servicii profesionale de reparații și service disponibile pentru produsul dvs.



---

# Asamblarea

---

## Introducere



**AVERTISMENT:** Înainte de a asambla produsul, trebuie să citiți și să înțelegeți capitolul privind siguranța.



**AVERTISMENT:** Demontați cablul de la bujie înainte de a asambla produsul.

## Montarea mânerului semicircular

1. Poziționați mânerul semicircular între săgețile de pe arbore.
2. Strângeți șurubul pentru a atașa mânerul semicircular pe arbore. (Fig. 22)

## Pentru asamblarea accesoriului de tăiere

### Pentru asamblarea apărătoarei accesoriului de tăiere

1. Poziționați apărătoarea accesoriului de tăiere (A) pe arbore. (Fig. 23)

2. Poziționați consola (B) în fanta de pe apărătoarea accesoriului de tăiere.
3. Atașați șurubul (C) la apărătoarea accesoriului de tăiere prin orificiul de pe consolă.

### Pentru a atașa capul de tuns

1. Asigurați-vă că apărătoarea accesoriului de tăiere (A) este atașată la produs. Consultați *Pentru asamblarea apărătoarei accesoriului de tăiere la pagina 265.* (Fig. 24)
2. Asigurați-vă că discul de antrenare (C) este atașat la arborele de ieșire (D).
3. Introduceți cheia în stea (B) în orificiu pentru a bloca arborele.
4. Poziționați capul de tuns (E) pe arborele de ieșire.
5. Rotiți capul de tuns în sens contrar acelor de ceasornic pentru a-l strânge de arborele de ieșire. (Fig. 25)
6. Scoateți cheia în stea.

---

# Funcționarea

---

## Introducere



**AVERTISMENT:** Înainte de a utiliza produsul, trebuie să citiți și să înțelegeți capitolul privind siguranța.

## Carburant

Acest produs dispune de motor în doi timpi.



**ATENȚIE:** Tipul incorect de carburant poate deteriora motorul. Utilizați un amestec de benzină și de ulei pentru motoare în doi timpi.

## Carburant preamestecat

- Utilizați carburantul alchilat preamestecat Husqvarna de bună calitate, pentru cele mai bune performanțe și prelungirea duratei de viață a motorului. Acest carburant conține substanțe chimice mai puțin nocive în comparație cu carburantul obișnuit, ceea ce reduce nivelul gazelor de eșapament nocive. Cantitatea de resturi după ardere este mai mică în cazul acestui carburant, care păstrează componentele motorului mai curate.

## Pentru amestecarea carburantului

### Benzină



**ATENȚIE:** Nu utilizați benzină cu o cifră octanică mai mică de 90 RON (87 AKI). Aceasta poate deteriora produsul.



**ATENȚIE:** Nu utilizați benzină cu o concentrație de etanol de peste 10% (E10). Aceasta poate deteriora produsul.

- Utilizați întotdeauna benzină fără plumb, cu o cifră octanică minimă de 90 RON (87 AKI) și cu o concentrație de etanol sub 10% (E10).
- Utilizați benzină cu o cifră octanică mai mare dacă utilizați frecvent produsul în mod continuu, la o turație de motor ridicată.

### Ulei pentru motoare în doi timpi

- Pentru cele mai bune rezultate și performanțe, utilizați uleiul pentru motoare în doi timpi Husqvarna.
- Dacă uleiul Husqvarna pentru motoare în doi timpi nu este disponibil, utilizați un ulei pentru motoare în doi timpi de bună calitate pentru motoare răcite cu

aer. Adresați-vă reprezentantului dvs. de service pentru a alege uleiul corect.



**ATENȚIE:** Nu utilizați ulei pentru motoare în doi timpi răcit pentru motoarele externe răcite cu apă, numit și ulei pentru motoare externe. Nu folosiți ulei pentru motoare în patru timpi.

### Amestecarea benzinei cu ulei pentru motoare în doi timpi

Benzină, litru	Ulei pentru motoare în doi timpi, litru
	2% (50:1)
5	0,10
10	0,20
15	0,30
20	0,40



**ATENȚIE:** Micile erori pot să influențeze drastic raportul amestecului atunci când amestecați cantități mici de carburant. Măsurați cu grijă cantitatea de ulei și asigurați-vă că obțineți amestecul corect.

(Fig. 26)

1. Umpleți jumătate din cantitatea de benzină într-un recipient curat pentru combustibil.
2. Adăugați cantitatea completă de ulei.
3. Agitați amestecul.
4. Adăugați în recipient cantitatea de benzină rămasă.
5. Agitați cu grijă amestecul.



**ATENȚIE:** Nu amestecați carburantul pentru mai mult de 1 lună la un moment dat.

### Pentru adăugarea de carburant

- Utilizați întotdeauna un rezervor de carburant cu supapă antivărsare.
- Dacă a rămas combustibil în recipient, îndepărtați carburantul nedorit și lăsați recipientul să se usuce.
- Asigurați-vă că zona din apropierea capacului rezervorului de carburant este curată.
- Scuturați rezervorul de carburant înainte de a adăuga amestecul în acesta.

### Pentru a efectua un rodaj

- În timpul primelor 10 ore de lucru, nu aplicați accelerație maximă fără sarcină pe perioade extinse.

## Pentru pornire și oprire

### Pentru examinarea înainte de pornire

1. Asigurați-vă că produsul nu are piese lipsă, deteriorate, slăbite sau uzate.
2. Asigurați-vă că piulițele, șuruburile și bolțurile sunt strânse.
3. Asigurați-vă că nu există deteriorări ale capului de tuns.
4. Asigurați-vă că filtrul de aer nu este înfundat.
5. Asigurați-vă că dispozitivele de siguranță de pe produs nu sunt defecte.
6. Asigurați-vă că produsul nu are scurgeri de carburant.

### Pentru pornirea unui motor rece

1. Apăsăți butonul purjor de 10 ori. (Fig. 27)
2. Trageți în sus acționarea șocului. (Fig. 28)
3. Țineți corpul produsului pe sol, cu mâna stângă. (Fig. 29) Nu călcați pe produs. Trageți încet de mânerul șnurului de pornire, până când simțiți o oarecare rezistență. Apoi, trageți puternic mânerul șnurului de pornire.

**Nota:** Nu trageți pârghia de accelerație în timp ce porniți motorul.

4. Continuați să trageți de mânerul șnurului de pornire până când motorul pornește sau încearcă să pornească (max. 3 trageri). Dacă motorul pornește sau încearcă să pornească, împingeți în jos acționarea șocului. Continuați să trageți până la pornirea motorului. Așteptați 60 de secunde după pornire înainte de a trage de pârghia de accelerație.



**ATENȚIE:** Nu trageți de șnurul de pornire înainte de oprirea acestuia. Nu eliberați șnurul de pornire când acesta este complet extins. Eliberați lent șnurul de pornire. Nerespectarea acestor instrucțiuni poate cauza deteriorarea motorului.

### Pentru pornirea unui motor cald

1. Apăsăți butonul purjor de 10 ori.
2. Trageți de șnurul de pornire până la pornirea motorului.

### Pentru a porni motorul când carburantul este prea fierbinte

Dacă produsul nu pornește, carburantul poate fi prea fierbinte.

**Nota:** Utilizați întotdeauna carburant nou și reduceți timpul de funcționare pe vreme caldă.

1. Puneți produsul într-o zonă rece, departe de lumina solară directă.
2. Lăsați produsul să se răcească pentru minimum 20 de minute.
3. Apăsați din nou purjorul timp de 10-15 secunde.
4. Respectați procedura de pornire a unui motor rece. Consultați *Pentru pornirea unui motor rece la pagina 266*.

### Pentru oprire

- Apăsați pe comutatorul de oprire pentru a opri motorul. (Fig. 30)

**Nota:** Comutatorul de oprire revine automat la poziția inițială.

### Pentru utilizarea trimmerului de iarbă



**ATENȚIE:** Asigurați-vă că motorul încetinește până la turația de mers în gol după fiecare utilizare. O perioadă îndelungată de accelerație maximă fără sarcină la motor poate deteriora motorul.

**Nota:** Curățați capacul capului de tuns atunci când montați un fir de trimmer nou, pentru a preveni vibrațiile. Examinați alte componente ale capului de tuns și curățați-le dacă este necesar.

### Pentru a tunde iarba

1. Țineți capul de tuns chiar deasupra solului, în poziție înclinată. Nu împingeți firul trimmerului în iarbă. (Fig. 31)
2. Reduceți lungimea firului trimmerului cu 10-12 cm / 4-4,75 inchi.
3. Reduceți turația motorului pentru a reduce riscul deteriorării plantelor.
4. Utilizați accelerația la 80 % când tundeți iarbă în apropierea unor obiecte. (Fig. 32)

## Întreținerea

### Introducere



**AVERTISMENT:** Înainte de a efectua orice operații de întreținere, citiți și înțelegeți capitolul privind siguranța.

Toate lucrările de service și de reparații la produs necesită instruire specială. Garantăm disponibilitatea unor lucrări profesionale de reparații și service. Dacă distribuitorul dvs. nu este agent de service, solicitați acestuia informații cu privire la cel mai apropiat agent de service.

### Pentru a tăia iarba

1. Când tăiați, asigurați-vă că firul pentru iarbă al trimmerului este paralel cu solul. (Fig. 33)
2. Nu împingeți capul de tuns în sol. Solul și produsul se pot deteriora.
3. Nu permiteți contactul continuu cu solul al capului de tuns, deoarece acesta din urmă se poate deteriora.
4. Utilizați accelerația maximă când întoarceți produsul de pe o parte pe alta pentru a tăia iarba. Asigurați-vă că firul pentru iarbă al trimmerului este paralel cu solul. (Fig. 34)

### Cap de tuns iarbă

- Asigurați-vă că înfășurați strâns și în mod uniform firul de trimmer pentru iarbă în jurul tamburului, pentru reducerea vibrațiilor.
- Utilizați numai capete de tuns iarbă și fire de trimmer pentru iarbă omologate. Consultați *Accesorii la pagina 271*.
- Utilizați o lungime corectă a firului trimmerului de iarbă. Un fir de trimmer de iarbă lung utilizează mai multă putere a motorului decât un fir scurt.
- Asigurați-vă că freza de pe apărătoarea accesoriului de tăiere nu este deteriorată.
- Înmuiați firul de trimmer de iarbă în apă timp de 2 zile, înainte de a-l monta la produs. Aceasta determină o creștere a duratei de utilizare a firului de trimmer de iarbă.

### Pentru a înlocui firul trimmerului

- (Fig. 35)
- (Fig. 36)
- (Fig. 37)
- (Fig. 38)
- (Fig. 39)
- (Fig. 40)
- (Fig. 41)
- (Fig. 42)

### Program de întreținere

#### Întreținerea săptămânală

- Curățați suprafețele exterioare.
- Verificați ca accesoriul de tăiere să nu se miște când funcționează la turația de mers în gol. Consultați *Pentru reglarea turației de mers în gol la pagina 268*.
- Examinați nivelul de iarbă din angrenajul conic. Consultați *Pentru a adăuga unsoare la angrenajul conic la pagina 269*.

#### Întreținerea lunară

- Asigurați-vă că mânerul șnurului de pornire și șnurul de pornire nu sunt deteriorate.

### Întreținerea anuală

- Verificați bujia. Consultați *Pentru a verifica bujia la pagina 268*
- Curățați suprafețele exterioare ale carburatorului și zonele adiacente ale acesteia.
- Curățați sistemul de răcire.
- Verificați ecranul extingtorului de scânteie. Consultați *Pentru a efectua operații de întreținere la ecranul extingtorului de scânteie la pagina 268*.
- Examinați filtrul de carburant.
- Asigurați-vă că furtunul pentru carburant nu este deteriorat.
- Asigurați-vă că nu există deteriorări ale cablurilor și conexiunilor produsului.

### Pentru reglarea turației de mers în gol

- Asigurați-vă că filtrul de aer este curat și că s-a executat montarea capacului filtrului de aer, înainte de a regla turația de mers în gol.
  - Reglați turația de mers în gol cu șurubul de reglare T, care este identificat cu marcajul „T”.
  - Turația de mers în gol este corectă când motorul funcționează uniform în toate pozițiile. Turația de mers în gol trebuie să fie sub valoarea la care accesoriul de tăiere începe să se rotească.
1. Rotiți șurubul de reglare a turației de mers în gol în sensul acelor de ceasornic, până când accesoriul de tăiere începe să se rotească. (Fig. 43)
  2. Rotiți șurubul de reglare a turației de mers în gol în sens contrar acelor de ceasornic până când accesoriul de tăiere se oprește.

### Pentru a efectua operații de întreținere la ecranul extingtorului de scânteie

Utilizați o perie de sârmă, pentru a curăța ecranul extingtorului de scânteie.

(Fig. 44)

### Pentru a curăța sistemul de răcire

Curățați componentele sistemului de răcire cu o perie.

(Fig. 45)

### Pentru a verifica bujia



**ATENȚIE:** Utilizați o bujie recomandată. Asigurați-vă că piesa de schimb coincide cu piesa recomandată de producător. O bujie incorectă poate cauza deteriorarea produsului.

1. Verificați bujia când:

- a) puterea motorului este scăzută.
  - b) motorul pornește cu dificultate.
  - c) motorul nu funcționează corect la turația de mers în gol.
2. Dacă motorul pornește sau funcționează cu dificultate, verificați dacă bujia nu prezintă materiale nedorite. Pentru a reduce riscul prezenței materialelor nedorite la electrozii bujiei:
    - a) asigurați-vă că turația de mers în gol este reglată corect.
    - b) asigurați-vă că amestecul este corect.
    - c) asigurați-vă că filtrul de aer este curat.
  3. Curățați bujia dacă este murdară. Verificați dacă apărătoarea electrozului este corectă. (Fig. 46)
  4. Înlocuiți bujia atunci când este necesar.

### Pentru a efectua întreținerea filtrului de aer

#### Pentru a curăța filtrul de aer

1. Îndepărtați capacul filtrului de aer și scoateți filtrul de aer. (Fig. 47)
2. Curățați filtrul de aer, folosind apă caldă cu săpun. Asigurați-vă că filtrul de aer este uscat, înainte de a-l instala.
3. Înlocuiți filtrul de aer dacă este prea murdar pentru a fi curățat în totalitate. Înlocuiți întotdeauna un filtru de aer deteriorat.
4. Dacă produsul dvs. dispune de un filtru de aer cu spumă, aplicați ulei pentru filtre de aer. Aplicați ulei pentru filtre de aer numai la un filtru cu spumă. Nu aplicați ulei pe un filtru din păslă.

#### Pentru a aplica ulei pentru filtre de aer la filtrul de aer



**ATENȚIE:** Utilizați întotdeauna ulei special pentru filtre de aer la filtrele cu spumă. Nu utilizați alte tipuri de ulei.



**AVERTISMENT:** Nu lăsați uleiul să intre în contact cu corpul.

1. Îndepărtați capacul filtrului de aer și scoateți filtrul de aer. (Fig. 48)
2. Introduceți filtrul de aer într-un recipient din plastic.
3. Introduceți uleiul pentru filtre de aer în recipientul din plastic. (Fig. 49)
4. Apăsăți pe recipientul de plastic pentru a vă asigura că uleiul se distribuie egal pe filtrul de aer.
5. Apăsăți filtrul de aer aflat în recipient pentru a elimina uleiul pentru filtru de aer care nu este necesar. Scoateți filtrul de aer din recipient.

## Pentru a adăuga unsoare la angrenajul conic

Verificați ca angrenajul conic să fie umplut în proporție de 3/4 cu unsoare pentru angrenaje conice.

## Depanarea

### Motorul nu pornește

Verificați	Cauza posibilă	Procedură
Comutator de oprire.	Comutatorul de oprire este în poziția oprit.	Setați comutatorul de oprire în poziția de pornire.
Clichete de pornire.	Clichetele de pornire nu se mișcă liber.	Scoateți capacul demarorului și curățați în jurul clichetelor de pornire. Contactați un agent de service autorizat.
Rezervor de carburant.	Tip de carburant incorect.	Goliți rezervorul de carburant și umpleți cu carburantul corect.
Bujie.	Bujia este murdară sau udă.	Asigurați-vă că bujia este uscată și curată.
	Distanța dintre electrozii bujiei este incorectă.	Curățați bujia. Asigurați-vă că apărătura electrozului este corectă. Asigurați-vă că bujia este prevăzută cu un descărcător. Consultați fișa cu date tehnice pentru distanța corectă între electrozi.
	Bujia este slăbită.	Strângeți bujia.

### Motorul pornește, dar se oprește din nou

Verificați	Cauza posibilă	Procedură
Rezervor de carburant	Tip de carburant incorect.	Goliți rezervorul de carburant și umpleți-l cu carburantul corect.
Filtru de aer	Filtrul de aer este înfundat.	Curățați filtrul de aer.

## Transportul, depozitarea și eliminarea

### Transportul și depozitarea

- Lăsați produsul să se răcească înainte de transport sau depozitare.
- Scoateți pipa bujiei înainte de a o depozita pe termen lung.

- Fixați produsul în timpul transportului. Asigurați-vă că acesta nu se poate mișca.
- Asigurați-vă că nu există risc de scurgeri de carburant, aburi de carburant, scântei sau flăcări pe durata transportului și a depozitării.
- Curățați produsul și efectuați operațiile de service la acesta înainte de depozitarea pe termen lung.

## Date tehnice

### Date tehnice

	<b>325L</b>
	<b>A05328CSHV</b>
<b>Motor</b>	
Cilindree, cm <sup>3</sup>	27,6
Turație de mers în gol, rot/min	2800 - 3200
Turația max. recomandată, rot/min	8000
Putere / leșire max. a motorului, conf. ISO 8893, kW/cp la rot/min	0,9/1,2 la 8000
Amortizor de zgomot al convertorului catalitic	Da
Turația arborelui de ieșire, rot/min	7200
<b>Sistem de aprindere</b>	
Bujie	Husqvarna HQT-4
Distanță între electrozi, mm	0,5
<b>Sistemul de alimentare cu carburant</b>	
Capacitate rezervor de combustibil, l/cm <sup>3</sup>	0,343/343
<b>Dimensiuni produs</b>	
Greutate (fără echipamentul de tăiere), kg	5,0
<b>Emisii de zgomot<sup>61</sup></b>	
Nivel de putere a zgomotului, garantat (L <sub>WA</sub> ), dB(A)	114
Nivel de putere a zgomotului, măsurat, dB(A)	110
<b>Niveluri de zgomot<sup>62</sup></b>	
Nivel de presiune sonoră la nivelul urechii operatorului, echipată cu cap de tuns, dB(A)	93
<b>Niveluri de vibrații<sup>63</sup></b>	
Nivel de vibrații echivalent (ahv, eq), echipată cu cap de tuns, mânerul din stânga, m/s <sup>2</sup>	4,2

<sup>61</sup> Emisiile de zgomot în mediu măsurate ca putere acustică (L<sub>WA</sub>) în conformitate cu directiva CE 2000/14/CE. Nivelul de putere a zgomotului raportat pentru produs a fost măsurat cu accesoriul original de tăiere care emite cel mai ridicat nivel. Diferența dintre puterea garantată a zgomotului și cea măsurată este aceea că puterea garantată a zgomotului include, de asemenea, dispersia în rezultatul de măsurare și variațiile dintre diferitele produse ale aceleiași model conform Directivei 2000/14/CE.

<sup>62</sup> Datele raportate pentru nivelul echivalent de presiune a zgomotului pentru produs prezintă o dispersie statistică tipică (abatere standard) de 1 dB (A).

<sup>63</sup> Datele raportate pentru nivelul echivalent de vibrații includ o dispersie statistică tipică (abatere standard) de 1 m/s<sup>2</sup>.

	<b>325L</b> <b>A05328CSHV</b>
Nivel de vibrații echivalent (ahv, eq), echipată cu cap de tuns, mânerul din dreapta, m/s <sup>2</sup>	6,1

---

## Accesorii

---

### Accesorii

<b>Accesorii aprobate</b>	<b>Tip</b>	<b>Apărătoare pentru accesoriul de tăiere</b>
Arbore filetat	M10L	
Cap de tuns	T35, 2,4 mm Ø	588 54 37-01

## Declarație de conformitate CE

### Conținutul declarației de conformitate CE

Noi, Husqvarna AB, SE 561 82 Huskvarna, SUECIA, declarăm pe propria răspundere că produsul reprezentat:

Descriere	<b>Trimmer/Motounealtă pentru iarbă, pe benzină</b>
Marcă	Husqvarna
Platformă / Tip / Model	Platforma A05328CSHV, reprezentând modelul 325L.
Lot	Serie cu data 2018 și în continuare.

respectă în totalitate următoarele directive și reglementări UE:

Directivă/Reglementare	Descriere
2006/42/CE	„aferentă utilajelor”
2014/30/UE	„aferentă compatibilității electromagnetice”
2000/14/CE	„aferentă zgomotului exterior”
2011/65/UE	„restricționarea utilizării anumitor substanțe periculoase”

Standardele armonizate și/sau specificațiile tehnice aplicate sunt următoarele: EN ISO 12100, EN ISO 11806-1, CISPR 12, ISO 14982, EN 50581:2012.

În conformitate cu directiva 2000/14/CE, Anexa V, valorile sonore declarate sunt declarate în secțiunea Date tehnice a prezentului manual și în Declarația de conformitate CE semnată.

TÜV Rheinland N.A. a efectuat o examinare voluntară în numele Husqvarna AB, eliberând un certificat de conformitate cu directiva Consiliului CE 2006/42/CE privind utilajele.

Certificatul, furnizat în Declarația de conformitate CE semnată, se aplică pentru toate locațiile de fabricație și pentru toate țările de proveniență indicate pe produs.

Trimmerul / motounealta pe benzină pentru iarbă furnizat corespunde exemplului examinat.



---

## Содержание

---

Введение.....	273	Поиск и устранение неисправностей.....	283
Безопасность.....	274	Транспортировка, хранение и утилизация.....	283
Сборка.....	278	Технические данные.....	284
Эксплуатация.....	279	Принадлежности.....	285
Техническое обслуживание.....	281	Декларация соответствия ЕС.....	286

---

## Введение

---

### Руководство по эксплуатации

Исходный текст данного руководства по работе составлен на английском языке. Руководства по работе на других языках являются переводами с английского.

использовать только для кошения травы и триммерной стрижки травы.

**Примечание:** Государственные нормативы могут накладывать ограничения на эксплуатацию данного изделия.

---

### Назначение

Изделие используется вместе с головкой триммера для кошения травы. Изделие разрешается

### Обзор изделия

(Рис. 1)

1. Головка триммера
2. Пробка отверстия для заправки консистентной смазки
3. Угловая зубчатая передача
4. Щиток режущего оборудования
5. Штанга
6. Петельная рукоятка
7. Дроссельный регулятор
8. Выключатель
9. Стопор дроссельного регулятора
10. Колпачок свечи зажигания, свеча зажигания
11. Кожух стартера
12. Ручка шнура стартера
13. Топливный бак
14. Крышка воздушного фильтра
15. Груша нагнетателя
16. Заслонка
17. Ведущий диск
18. Руководство по эксплуатации
19. Ключ-звездочка

наблюдателей. Во избежание травм оператора или посторонних наблюдателей прочитайте и соблюдайте все инструкции по безопасности, приведенные в руководстве по эксплуатации.

(Рис. 3) Перед началом работы внимательно прочитайте руководство по эксплуатации и убедитесь, что понимаете приведенные здесь инструкции.

(Рис. 4) Всегда пользуйтесь защитными наушниками. Пользуйтесь проверенными средствами защиты глаз.

(Рис. 5) Изделие может отбрасывать предметы, что может стать причиной травмы.

(Рис. 6) Максимальная частота вращения выходного вала.

(Рис. 7) Посторонние лица и животные должны находиться на расстоянии не менее 15 м (50 футов) от работающего инструмента.

(Рис. 8) Используйте только гибкую режущую леску

(Рис. 9) Не используйте металлические режущие элементы

(Рис. 10) Стрелками показаны границы расположения рукоятки.

(Рис. 11) Груша нагнетателя.

### Условные обозначения на изделии

- (Рис. 2) **ПРЕДУПРЕЖДЕНИЕ!** Данное изделие является опасным инструментом. Небрежная или неправильная эксплуатация может привести к травме или смерти оператора или посторонних

(Рис. 12) Воздушная заслонка.

(Рис. 13) Повторная заправка.

(Рис. 14) Уровень излучения шума в окружающую среду соответствует директиве ЕС. Звуковое излучение данного изделия приведено в разделе "Технические данные" и на паспортной табличке.

(Рис. 15) Изделие соответствует действующим директивам ЕС.

(Рис. 16) Изделие соответствует действующим директивам ЕАС.

На паспортной табличке указан серийный номер.

**уууу** обозначает год выпуска, **ww** — неделю производства, а **хххх** —

порядковый номер.

ууууwwхххх

**Примечание:** Остальные символы/этикетки на изделии отвечают требованиям, предъявляемым к сертификации в других коммерческих зонах.

## Ответственность изготовителя

В соответствии с законами об ответственности изготовителя мы не несем ответственности за ущерб, вызванный эксплуатацией нашего изделия в результате:

- ненадлежащего ремонта изделия;
- использования для ремонта изделия неоригинальных деталей или деталей, неодобренных производителем;
- использования неоригинальных дополнительных принадлежностей или неодобренных производителем;
- ремонта изделия в неавторизованном сервисном центре или неквалифицированным специалистом.

## ЕС V



**ПРЕДУПРЕЖДЕНИЕ:** В случае вмешательства в работу двигателя данное изделие перестанет соответствовать нормативам ЕС.

## Безопасность

### Инструкции по технике безопасности

Предупреждения, предостережения и примечания используются для выделения особо важных пунктов руководства.



**ПРЕДУПРЕЖДЕНИЕ:** Используется, когда несоблюдение инструкций руководства может привести к травмам или смерти оператора или находящихся рядом посторонних лиц.



**ВНИМАНИЕ:** Используется, когда несоблюдение инструкций руководства может привести к повреждению изделия, других материалов или прилегающей территории.

**Примечание:** Используется для предоставления дополнительных сведений о конкретной ситуации.

### Техника безопасности в отношении вибрации

Данное изделие предназначено только для периодического использования. Непрерывная или регулярная эксплуатация изделия может привести к "синдрому белых пальцев" или аналогичным заболеваниям, вызванным воздействием вибрации. При продолжительном или регулярном использовании изделия периодически проверяйте состояние своих ладоней и пальцев. При обнаружении таких симптомов, как изменение цвета кожи, боль в ладонях или пальцах, покалывание или потеря чувствительности, немедленно прекратите работу и обратитесь за медицинской помощью.

### Общие инструкции по технике безопасности



**ПРЕДУПРЕЖДЕНИЕ:** В обязательном порядке прочитайте следующие инструкции по технике безопасности, прежде чем приступать к эксплуатации изделия.

- Пользуйтесь изделием правильно. Неправильное использование может привести к травме или смертельному исходу. Изделие предназначено только для выполнения работ, описанных в данном руководстве. Запрещается использовать изделие для других видов работ.
- Соблюдайте инструкции, изложенные в данном руководстве. Обращайте внимание на знаки безопасности и следуйте инструкциям по технике безопасности. Несоблюдение оператором инструкций и знаков может привести к травме, повреждениям или смерти.
- Не выбрасывайте это руководство. Следуйте инструкциям по сборке, эксплуатации и уходу за изделием. Используйте эти инструкции для правильной установки насадок и дополнительных принадлежностей. Используйте только апробированные насадки и аксессуары.
- Не используйте поврежденное изделие. Соблюдайте график техобслуживания. Выполняйте самостоятельно только те работы по техобслуживанию, которые описаны в данном руководстве. Все другие работы по техобслуживанию должны выполняться авторизованным сервисным центром.
- В данное руководство невозможно включить все ситуации, которые могут возникнуть при использовании изделия. Будьте осторожны и руководствуйтесь здравым смыслом. Если вы не уверены в ситуации, не используйте изделие и не выполняйте его техобслуживание. Для получения необходимой информации обратитесь к специалисту по продукции, дилеру, специалисту по обслуживанию или в авторизованный сервисный центр.
- Отсоединяйте кабель свечи зажигания перед сборкой изделия, помещением его на хранение или проведением техобслуживания.
- Запрещается использовать изделие, если были изменены его исходные технические характеристики. Запрещено вносить изменения в конструкцию изделия без одобрения производителя. Используйте только рекомендованные производителем запчасти. Неправильное техобслуживание может привести к травме или смертельному исходу.
- Не вдыхайте выхлопные газы двигателя. Продолжительное вдыхание выхлопных газов двигателя опасно для здоровья.
- Запрещается запускать изделие в помещении или рядом с легковоспламеняющимися материалами. Выхлопные газы имеют высокую температуру и могут содержать искры, которые в свою очередь могут привести к пожару. Недостаточная вентиляция может привести к травме или смерти в результате удушья или отравления угарным газом.
- Во время работы вокруг двигателя создается электромагнитное поле. Электромагнитное поле может привести к повреждению медицинских

имплантатов. Проконсультируйтесь с врачом и изготовителем имплантата перед использованием изделия.

- Не позволяйте детям использовать изделие. Не разрешайте пользоваться изделием людям, которые не знакомы с данными инструкциями.
- Не позволяйте людям с ограниченными физическими или умственными способностями пользоваться данным изделием без присмотра. Они должны постоянно находиться под присмотром взрослого.
- Запирайте изделие в месте, не доступном для детей и лиц, не допущенных к эксплуатации изделия.
- Во время работы изделие может отбрасывать находящиеся на земле предметы, что может привести к травме. Чтобы уменьшить риск получения серьезных или смертельных травм, соблюдайте инструкции по технике безопасности.
- Запрещается оставлять изделие с работающим двигателем без присмотра.
- При возникновении несчастного случая ответственность несет оператор изделия.
- Перед использованием изделия проверьте детали на отсутствие повреждений.
- Перед началом эксплуатации изделия убедитесь, что вы находитесь на расстоянии не менее 15 м (50 футов) от других людей или животных. Убедитесь, что находящиеся поблизости люди знают, что вы будете использовать изделие.
- Соблюдайте требования национальных или местных законов. В некоторых случаях они могут запрещать или ограничивать использование изделия.
- Ни в коем случае не используйте изделие, если вы устали или находитесь под воздействием спиртного, наркотических веществ или лекарственных препаратов. Они могут повлиять на ваше зрение, реакцию, координацию или оценку действительности.

## Инструкции по технике безопасности во время сборки



**ПРЕДУПРЕЖДЕНИЕ:** В обязательном порядке прочитайте следующие инструкции по технике безопасности, прежде чем приступать к эксплуатации изделия.

- Перед сборкой изделия снимите со свечи зажигания колпак свечи зажигания.
- Используйте проверенные защитные перчатки.
- Перед запуском двигателя проверьте правильность установки крышки и вала.

## Инструкции по технике безопасности во время эксплуатации

- Прежде чем использовать изделие, убедитесь, что оно полностью собрано.
- Перед запуском уберите изделие на 3 м (10 футов) от места, в котором вы наполняли топливный бак. Положите изделие на ровную поверхность. Убедитесь, что режущее оборудование не касается грунта или других объектов.
- Изделие может отбрасывать находящиеся на земле предметы, что может причинить вред глазам. Всегда пользуйтесь одобренными средствами защиты глаз при использовании изделия.
- Будьте осторожны, во время работы с изделием может незаметно приблизиться ребенок.
- Не пользуйтесь изделием, если в рабочей зоне находятся другие люди. Выключайте изделие при входе другого человека в рабочую зону.
- Всегда держите изделие под контролем.
- Не пользуйтесь изделием, если вы не сможете получить помощь при несчастном случае. Прежде чем начать использовать изделие, всегда сообщайте об этом другим людям.
- Не поворачивайтесь с изделием, не убедившись в отсутствии людей или животных в опасной зоне.
- Перед началом работы уберите все посторонние материалы из рабочей зоны. При ударе режущего оборудования о предмет последний может отскочить и привести к травме или повреждению. Посторонние материалы могут намотаться на режущее оборудование и привести к повреждению.
- Запрещается пользоваться изделием в плохую погоду (при тумане, дожде, сильном ветре, опасности удара молнии и других погодных явлениях). Плохие погодные условия могут создавать опасные условия для работы (например, скользкие поверхности).
- Убедитесь, что вы можете свободно перемещаться и работать в устойчивом положении.

(Рис. 17)

- Убедитесь в отсутствии риска падения во время использования изделия. Запрещается наклоняться во время эксплуатации изделия.
- Всегда держите изделие двумя руками. Держите изделие с правой стороны от тела.

(Рис. 18)

- Во время работы держите режущее оборудование ниже пояса.
- Если при запуске двигателя заслонка находится в закрытом положении, режущее оборудование начинает вращаться.

- Не прикасайтесь к зубчатой передаче после остановки двигателя. После остановки двигателя она имеет высокую температуру. Горячие поверхности могут стать причиной травм.
- Выключайте двигатель перед перемещением изделия.
- Запрещается класть изделие на землю с работающим двигателем.
- Чтобы очистить изделие от посторонних материалов, выключите двигатель и дождитесь полной остановки режущего оборудования. Дождитесь остановки режущего оборудования, прежде чем вы или ваш помощник уберет срезанный материал.

## Средства индивидуальной защиты



**ПРЕДУПРЕЖДЕНИЕ:** В обязательном порядке прочитайте следующие инструкции по технике безопасности, прежде чем приступать к эксплуатации изделия.

- Всегда используйте соответствующее защитное снаряжение при эксплуатации изделия. Защитное снаряжение не исключает риск травмирования. Оно снижает тяжесть травмы при несчастном случае.
- Всегда пользуйтесь одобренными средствами защиты глаз при использовании изделия.
- При эксплуатации изделия запрещается быть босиком или носить открытую обувь. Всегда надевайте прочные нескользкие ботинки.
- Надевайте прочные длинные брюки.
- При необходимости используйте одобренные защитные перчатки.
- Надевайте шлем, если существует вероятность попадания объектов в голову.
- Всегда надевайте одобренные защитные наушники при использовании изделия. Длительное воздействие шума может привести к снижению слуха.
- Всегда имейте при себе аптечку для оказания первой медицинской помощи.

## Защитные устройства на изделии



**ПРЕДУПРЕЖДЕНИЕ:** В обязательном порядке прочитайте следующие инструкции по технике безопасности, прежде чем приступать к эксплуатации изделия.

- Запрещается использовать изделие с неисправными защитными устройствами.
- Регулярно выполняйте проверку защитных устройств. См. раздел *Обзор изделия на стр. 273*.
- Если защитные устройства неисправны, обратитесь к своему сервисному дилеру Husqvarna.

## Стопор рычага дросселя

Стопор рычага дросселя блокирует рычаг дросселя. (Рис. 19)

Нажмите на стопор рычага дросселя (А), чтобы освободить рычаг дросселя (В). Когда вы отпускаете ручку, стопор рычага дросселя и рычаг дросселя возвращаются в исходное положение.

1. Убедитесь, что рычаг дросселя (В) заблокирован в положении холостого хода в момент отпускания стопора рычага дросселя (А).
2. Нажмите на стопор рычага дросселя (А) и удостоверьтесь, что он возвращается в первоначальное положение при его освобождении.
3. Нажмите на рычаг дросселя (В) и удостоверьтесь, что он возвращается в первоначальное положение при его освобождении.

Запустите двигатель и полностью откройте дроссель. Отпустите рычаг дросселя и проверьте, остановилось ли режущее оборудование. Если после установки дросселя в положение холостого хода режущее оборудование продолжает вращаться, следует проверить винт регулировки холостого хода карбюратора.

## Выключатель

Запустите двигатель. Убедитесь, что двигатель останавливается при установке выключателя в положение остановки.

(Рис. 20)

## Щиток режущего оборудования

Щиток режущего оборудования предотвращает вынос предметов в сторону оператора.

(Рис. 21)

Проверьте щиток режущего оборудования на наличие повреждений и замените его, если он поврежден. Используйте для режущего оборудования только одобренный щиток.

## Глушитель

- Запрещается использовать двигатель с поврежденным глушителем. Поврежденный глушитель повышает уровень шума и риск пожара. Держите огнетушитель в пределах досягаемости.
- Периодически проверяйте надежность крепления глушителя к корпусу изделия.
- Не прикасайтесь к двигателю или глушителю во время работы двигателя. Не прикасайтесь к двигателю или глушителю в течение некоторого времени после выключения двигателя. Горячие поверхности могут стать причиной травм.
- Горячий глушитель может стать причиной пожара. Соблюдайте осторожность при

использовании изделия вблизи легковоспламеняющихся жидкостей или газов.

- Не прикасайтесь к деталям глушителя, если он поврежден. На деталях могут находиться канцерогенные химические вещества.

## Режущее оборудование



**ПРЕДУПРЕЖДЕНИЕ:** В обязательном порядке прочитайте следующие инструкции по технике безопасности, прежде чем приступить к эксплуатации изделия.

- Регулярно выполняйте техобслуживание. Ваш авторизованный сервисный центр должен регулярно проверять режущее оборудование и выполнять необходимую регулировку и ремонт.
  - Повышается эффективность режущего оборудования.
  - Увеличивается срок службы режущего оборудования.
  - Уменьшается риск несчастных случаев.
- Используйте только одобренный щиток режущего оборудования. Для более подробной информации смотрите *Принадлежности на стр. 285*.
- Не используйте поврежденное режущее оборудование.

## Правила безопасного обращения с топливом



**ПРЕДУПРЕЖДЕНИЕ:** В обязательном порядке прочитайте следующие инструкции по технике безопасности, прежде чем приступить к эксплуатации изделия.

- Не смешивайте топливо в помещении или рядом с источником тепла.
- Запрещается запускать изделие, если на него попало топливо или моторное масло. Удалите постороннее топливо/масло и дайте изделию высохнуть. Удалите постороннее топливо с поверхности изделия.
- Если топливо попало на одежду, немедленно смените ее.
- Не допускайте попадания топлива на тело, это может причинить вред здоровью. При попадании топлива на тело смойте его водой с мылом.
- Запрещается запускать двигатель, если вы пролили масло или топливо на изделие или тело.
- Запрещается запускать изделие при наличии утечки из двигателя. Регулярно проверяйте двигатель на наличие утечек.
- Соблюдайте осторожность при обращении с топливом. Топливо является легковоспламеняющейся жидкостью со

взрывоопасными парами и может привести к серьезным или смертельным травмам.

- Запрещается вдыхать пары топлива, т. к. это может причинить вред здоровью. Убедитесь в наличии достаточного потока воздуха.
- Запрещается курить вблизи топлива или двигателя.
- Запрещается ставить теплые предметы рядом с топливом или двигателем.
- Запрещается доливать топливо при работающем двигателе.
- Прежде чем заправить изделие, убедитесь, что двигатель полностью остыл.
- Перед заправкой топлива медленно откройте крышку топливного бака и осторожно сбросьте давление.
- Запрещается заливать топливо в двигатель в помещении. Недостаточная вентиляция может привести к травме или смерти в результате удушья или отравления угарным газом.
- Аккуратно затяните крышку топливного бака во избежание возгорания.
- Переместите изделие минимум на 3 м (10 футов) от места заправки топливом, прежде чем запустить его.
- Не наливайте в топливный бак слишком много топлива.
- Убедитесь, что при перемещении изделия или емкости для топлива невозможно возникновение утечки.
- Запрещает размещать изделие или емкость для топлива вблизи открытого огня, искр или горящих фитилей. Убедитесь, что в месте хранения отсутствует открытый огонь.
- Используйте только одобренные емкости для переноски и хранения топлива.
- Сливайте топливо из топливного бака перед размещением изделия на длительное хранение. Соблюдайте требования местного законодательства в отношении места утилизации топлива.

- Очистите изделие, прежде чем поместить его на длительное хранение.
- Прежде чем поместить изделие на хранение, снимите кабель свечи зажигания во избежание случайного запуска двигателя.

## Инструкции по технике безопасности во время технического обслуживания



**ПРЕДУПРЕЖДЕНИЕ:** В обязательном порядке прочитайте следующие инструкции по технике безопасности, прежде чем приступать к техобслуживанию изделия.

- Выполняйте только те работы по техническому и сервисному обслуживанию, которые описаны в данном руководстве по эксплуатации. Для проведения всех остальных работ по техническому и сервисному обслуживанию обращайтесь к квалифицированным специалистам по обслуживанию.
- Регулярно проверяйте состояние защитных приспособлений и проводите техническое и сервисное обслуживание в соответствии с инструкциями настоящего руководства. Регулярное техническое обслуживание продлевает срок службы изделия и снижает вероятность несчастных случаев. Инструкции см. в разделе *График технического обслуживания на стр. 281*.
- Если после выполнения обслуживания при проведении проверки защитных приспособлений были выявлены неисправности, обратитесь к своему дилеру по обслуживанию. Мы гарантируем, что ремонт и обслуживание вашего изделия будут выполнять квалифицированные профессионалы.

## Сборка

### Введение



**ПРЕДУПРЕЖДЕНИЕ:** Перед сборкой изделия ознакомьтесь с разделом, посвященным безопасности, и усвойте его содержание.



**ПРЕДУПРЕЖДЕНИЕ:** Перед сборкой изделия снимите со свечи зажигания провод свечи зажигания.

### Сборка петельной рукоятки

1. Установите петельную рукоятку между стрелками на вале.
2. Затяните болт, чтобы прикрепить петельную рукоятку к валу. (Рис. 22)

### Сборка режущего оборудования

#### Сборка щитка режущего оборудования

1. Установите щиток режущего оборудования (А) на вал. (Рис. 23)
2. Установите кронштейн (В) в паз на щитке режущего оборудования.

- Установите болт (С) в отверстие кронштейна на щитке режущего оборудования.

### Установка головки триммера

- Убедитесь, что щиток режущего оборудования (А) прикреплен к устройству. См. раздел *Сборка щитка режущего оборудования на стр. 278*. (Рис. 24)
- Убедитесь, что ведущий диск (С) закреплен к выходному валу (D).

- Вставьте ключ-звездочку (В) в отверстие, чтобы зафиксировать вал.
- Установите головку триммера (Е) на выходной вал.
- Поверните головку триммера против часовой стрелки, чтобы затянуть ее на выходном валу. (Рис. 25)
- Извлеките ключ-звездочка.

## Эксплуатация

### Введение



**ПРЕДУПРЕЖДЕНИЕ:** Перед эксплуатацией прибора необходимо внимательно изучить раздел безопасности.

### Топливо

Данное изделие оборудовано двухтактным двигателем.



**ВНИМАНИЕ:** Заправка неподходящим типом топлива может привести к повреждению двигателя. Используйте смесь бензина и масла для двухтактных двигателей.

### Предварительно смешанное топливо

- Для обеспечения оптимальной производительности и продления срока службы двигателя используйте предварительно смешанное топливо-алкилат Husqvarna надлежащего качества. Данный тип топлива содержит меньшее количество вредных веществ по сравнению с обычным топливом, что приводит к сокращению вредных выбросов. Такое топливо при сгорании образует меньшее количество остатков, благодаря чему компоненты двигателя остаются более чистыми.

### Смешивание топлива

#### Бензин



**ВНИМАНИЕ:** Не используйте бензин с октановым числом меньше 90 RON (87 AKI). Это может привести к повреждению изделия.



**ВНИМАНИЕ:** Запрещается использовать бензин с концентрацией этанола более 10% (E10). Это может привести к повреждению изделия.

- Всегда используйте свежий неэтилированный бензин с минимальным октановым числом 90 RON (87 AKI) и концентрацией этанола менее 10% (E10).
- Используйте бензин с более высоким октановым числом, если изделие часто используется с постоянно высокой частотой оборотов двигателя.

### Масло для двухтактных двигателей

- Для достижения оптимальных результатов и мощности пользуйтесь маслом Husqvarna для двухтактных двигателей.
- Если у вас нет масла Husqvarna для двухтактных двигателей, вы можете использовать высококачественное масло, предназначенное для двухтактных двигателей с воздушных охлаждением. Для выбора правильного масла обратитесь к своему дилеру по обслуживанию.



**ВНИМАНИЕ:** Запрещается использовать масло, предназначенное для двухтактных двигателей с внешним водяным охлаждением, т.н. "outboard oil". Использовать масло для четырехтактных двигателей запрещается.

### Смешивание бензина и масла для двухтактных двигателей

Бензин, л	Масло для двухтактных двигателей, л
	2% (50:1)
5	0,10
10	0,20
15	0,30
20	0,40



**ВНИМАНИЕ:** Небольшие неточности при смешивании небольшого количества топлива могут значительно повлиять на соотношение компонентов в смеси. Внимательно измерьте количество масла, чтобы обеспечить правильное соотношение компонентов.

(Рис. 26)

1. Добавьте половину количества бензина в чистую емкость для топлива.
2. Добавьте все количество масла.
3. Взболтайте топливную смесь.
4. Добавьте оставшуюся часть бензина в емкость.
5. Осторожно взболтайте топливную смесь.



**ВНИМАНИЕ:** Срок хранения топливной смеси не должен превышать 1 месяца.

## Заправка топливом

- Всегда используйте емкость для топлива с клапаном от переполнения.
- Если на емкость попало топливо, удалите его и дайте емкости высохнуть.
- Убедитесь, что область вокруг крышки топливного бака чистая.
- Встряхните емкость для топлива, прежде чем налить топливную смесь в топливный бак.

## Обкатка изделия

- В течение первых 10 часов работы изделие не должно работать длительное время на полной мощности без нагрузки.

## Запуск и остановка

### Осмотр перед началом работы

1. Убедитесь, что продукт не имеет поврежденных, ослабленных, отсутствующих или изношенных деталей.
2. Проверьте затяжку гаек, винтов и болтов.
3. Убедитесь, что головка триммера не имеет повреждений.
4. Убедитесь, что воздушный фильтр не засорен.
5. Убедитесь, что защитные устройства изделия исправны.
6. Убедитесь в отсутствии утечек топлива.

### Запуск холодного двигателя

1. Нажмите 10 раз на грушу ручного нагнетателя. (Рис. 27)
2. Потяните заслонку вверх. (Рис. 28)
3. Прижмите корпус изделия к земле левой рукой. (Рис. 29) Не наступайте на изделие. Медленно

потяните шнур стартера, пока не почувствуется сопротивление. Затем резко дерните шнур стартера.

**Примечание:** При запуске двигателя запрещается тянуть дроссельный регулятор.

4. Продолжайте дергать шнур стартера, пока не запустится или не начнет запускаться двигатель (макс. 3 раза). При запуске или попытке запуска двигателя опустите заслонку. Продолжайте рыбки, пока двигатель не запустится. Подождите 60 секунд после запуска и потяните дроссельный регулятор.



**ВНИМАНИЕ:** Не тяните шнур стартера, пока он не остановится. Не отпускайте шнур стартера, когда он полностью вытянут. Медленно отпустите шнур стартера. Несоблюдение этих инструкций может привести к повреждению двигателя.

## Запуск прогретого двигателя

1. Нажмите 10 раз на грушу ручного нагнетателя.
2. Тяните шнур стартера до запуска двигателя.

## Запуск двигателя, когда топливо очень горячее

Если изделие не запускается, возможно, топливо слишком горячее.

**Примечание:** Всегда используйте свежее топливо и снижайте время работы в теплую погоду.

1. Поместите изделие в прохладное место, куда не попадают прямые солнечные лучи.
2. Подождите, пока изделие остынет (не менее 20 минут).
3. Несколько раз нажмите на грушу ручного нагнетателя на 10-15 секунд.
4. Выполните процедуру запуска холодного двигателя. См. раздел *Запуск холодного двигателя на стр. 280*.

## Остановка

- Нажмите на выключатель, чтобы остановить двигатель. (Рис. 30)

**Примечание:** Выключатель автоматически возвращается в исходное положение.

## Эксплуатация триммера для травы



**ВНИМАНИЕ:** После каждой операции сбрасывайте обороты двигателя до скорости холостого хода. Работа в течение длительного времени при



полном открытии дроссельной заслонки без какой-либо нагрузки на двигатель может привести к повреждению двигателя.

**Примечание:** Очищайте крышку головки триммера при установке новой режущей лески для предотвращения вибрации. Проверьте другие детали головки триммера и очистите их при необходимости.

## Стрижка травы

1. Держите головку триммера чуть выше земли под углом. Не прижимайте режущую леску к траве. (Рис. 31)
2. Уменьшите длину режущей лески на 10-12 см / 4-4,75 дюйма.
3. Уменьшите частоту вращения двигателя, чтобы уменьшить риск повреждения растений.
4. При стрижке травы вблизи предметов дроссель должен быть открыт на 80%. (Рис. 32)

## Кошение травы

1. При кошении травы держите режущую леску триммера параллельно земле. (Рис. 33)
2. Не прижимайте головку триммера к земле. Это может привести к повреждению изделия и грунта.
3. Не позволяйте головке триммера постоянно соприкасаться с землей, это может повредить головку триммера.

4. Для скашивания травы перемещайте изделие из стороны в сторону при полностью открытом дросселе. Убедитесь, что режущая леска расположена параллельно земле. (Рис. 34)

## Головка триммера

- Убедитесь, что режущая леска плотно и равномерно намотана на барабан, чтобы уменьшить вибрацию.
- Используйте только одобренные головки триммера и режущую леску. См. *Принадлежности на стр. 285*.
- Используйте режущую леску соответствующей длины. Длинная режущая леска требует большей мощности двигателя, чем короткая.
- Убедитесь, что резчик на щитке режущего оборудования не поврежден.
- Замочите режущую леску в воде на 2 дня, прежде чем установить ее на изделие. Это поможет продлить срок службы режущей лески.

## Замена режущей лески

- (Рис. 35)
- (Рис. 36)
- (Рис. 37)
- (Рис. 38)
- (Рис. 39)
- (Рис. 40)
- (Рис. 41)
- (Рис. 42)

# Техническое обслуживание

## Введение



**ПРЕДУПРЕЖДЕНИЕ:** Перед выполнением техобслуживания необходимо внимательно изучить и понять раздел безопасности.

Для выполнения любых работ по сервисному обслуживанию и ремонту изделия необходимо пройти специальное обучение. Мы гарантируем доступность услуг по профессиональному ремонту и сервисному обслуживанию. Если ваш дилер не занимается сервисным обслуживанием, обратитесь к нему для получения информации о ближайшем сервисном центре.

## График технического обслуживания

### Еженедельное техобслуживание

- Очистите внешние поверхности.
- Убедитесь, что режущее оборудование не вращается на холостых оборотах. См. раздел *Регулировка скорости холостого хода на стр. 282*.

- Проверьте уровень смазки в коническом зубчатом колесе. См. раздел *Добавление смазки в зубчатую передачу на стр. 282*.

### Ежемесячное обслуживание

- Убедитесь, что рукоятка шнура стартера и шнур стартера не повреждены.

### Ежегодное обслуживание

- Проверьте свечу зажигания. См. раздел *Проверка свечи зажигания на стр. 282*
- Очистите внешние поверхности карбюратора и прилегающих областей.
- Очистите систему охлаждения.
- Проверьте искрогасительную сетку. См. раздел *Техобслуживание искрогасительной сетки на стр. 282*.
- Проверьте топливный фильтр.
- Убедитесь, что топливный шланг не имеет повреждений.
- Убедитесь, что кабели и соединения устройства не повреждены.

## Регулировка скорости холостого хода

- Перед регулировкой скорости холостого хода убедитесь, что воздушный фильтр чистый и установлена крышка воздушного фильтра.
  - Отрегулируйте обороты холостого хода с помощью винта регулировки холостого хода Т, обозначенного меткой "Т".
  - Скорость холостого хода правильная, если двигатель работает ровно во всех положениях. Скорость холостого хода должна быть ниже скорости, при которой режущее оборудование начинает вращаться.
1. Поворачивайте винт регулировки по часовой стрелке до тех пор, пока режущее оборудование не начнет вращаться. (Рис. 43)
  2. Затем поворачивайте винт регулировки против часовой стрелки, пока режущее оборудование не остановится.

## Техобслуживание искрогасительной сетки

Для очистки искрогасительной сетки используйте металлическую щетку. (Рис. 44)

## Очистка системы охлаждения

Для очистки компонентов системы охлаждения используйте щетку. (Рис. 45)

## Проверка свечи зажигания



**ВНИМАНИЕ:** Используйте только рекомендуемые свечи зажигания. Убедитесь, что запчасть имеет такие же характеристики, что и деталь производителя. Применение неподходящих свечей зажигания может привести к повреждению изделия.

1. Проверять свечу зажигания необходимо в следующих случаях:
  - a) при снижении мощности двигателя;
  - b) при затруднительном запуске двигателя;
  - c) при некорректной работе двигателя на холостых оборотах.
2. Если двигатель запускается с трудом или не работает, проверьте свечу зажигания на наличие посторонних материалов. Чтобы уменьшить риск появления посторонних материалов на электродах свечи зажигания:
  - a) убедитесь в правильности регулировки скорости холостого хода;
  - b) убедитесь в правильности состава топливной смеси;

- a) убедитесь, что воздушный фильтр чист;
3. очистите свечу зажигания, если она загрязнена. Проверьте правильность зазора между электродами. (Рис. 46)
  4. При необходимости замените свечу зажигания.

## Техобслуживание воздушного фильтра

### Очистка воздушного фильтра

1. Снимите крышку воздушного фильтра и воздушный фильтр. (Рис. 47)
2. Промойте воздушный фильтр теплой мыльной водой. Перед установкой фильтра на место убедитесь, что он полностью высох.
3. Если воздушный фильтр слишком грязный, чтобы полностью его очистить, замените его. Всегда заменяйте поврежденный воздушный фильтр.
4. Если изделие оснащено поролоновым воздушным фильтром, нанесите масло для воздушного фильтра. Масло для воздушного фильтра наносится только на поролоновый фильтр. Нельзя наносить масло на фетровый фильтр.

### Нанесение масла на воздушный фильтр



**ВНИМАНИЕ:** Всегда используйте специальное масло для поролоновых воздушных фильтров. Не используйте другие виды масла.



**ПРЕДУПРЕЖДЕНИЕ:** Не допускайте попадания масла на тело.

1. Снимите крышку воздушного фильтра и воздушный фильтр. (Рис. 48)
2. Поместите воздушный фильтр в полиэтиленовый пакет.
3. Налейте в полиэтиленовый пакет масло для воздушного фильтра. (Рис. 49)
4. Сожмите пакет, чтобы равномерно распределить масло по воздушному фильтру.
5. Сожмите воздушный фильтр в пакете, чтобы удалить излишки масла. Извлеките воздушный фильтр из пакета.
6. Установите воздушный фильтр.

## Добавление смазки в зубчатую передачу

Убедитесь, что зубчатая передача на 3/4 заполнена смазкой для зубчатой передачи.

(Рис. 50)

## Поиск и устранение неисправностей

### Двигатель не запускается

Проверка	Возможная причина	Порядок действий
Выключатель.	Выключатель находится в положении останова.	Переведите выключатель в положение запуска.
Собачки стартера.	Собачки стартера не могут свободно перемещаться.	Снимите крышку стартера и очистите область вокруг собачек стартера.
		Обратитесь в авторизованный сервисный центр за помощью.
Топливный бак.	Топливо несоответствующего типа.	Опорожните топливный бак и залейте правильное топливо.
Свеча зажигания.	Свеча зажигания загрязнена или намочена.	Убедитесь, что свеча зажигания сухая и чистая.
	Неправильный зазор между электродами свечи зажигания.	Очистите свечу зажигания. Проверьте правильность зазора между электродами. Убедитесь, что свеча зажигания оснащена изоляцией радиопомех.
		Правильный зазор между электродами см. в технических данных.
Крепление свечи зажигания ослаблено.	Затяните свечу зажигания.	

### Двигатель запускается, но затем снова останавливается

Проверка	Возможная причина	Порядок действий
Топливный бак	Топливо несоответствующего типа.	Опорожните топливный бак и залейте в него правильное топливо.
Воздушный фильтр	Засорен воздушный фильтр.	Очистите воздушный фильтр.

## Транспортировка, хранение и утилизация

### Транспортировка и хранение

- Перед транспортировкой или помещением на хранение дайте изделию остыть.
- Перед помещением на длительное хранение снимите колпачок свечи зажигания.
- Закрепляйте изделие на время транспортировки. Убедитесь, что изделие неподвижно зафиксировано.

- Убедитесь, что на время транспортировки и хранения исключен риск возникновения утечек топлива, испарения топлива, искр или пламени.
- Перед помещением на длительное хранение очистите изделие и проведите его техобслуживание.

## Технические данные

### Технические данные

	<b>325L</b>
	<b>A05328CSHV</b>
<b>Двигатель</b>	
Объем цилиндра, см <sup>3</sup>	27,6
Обороты холостого хода, об/мин	2800 - 3200
Рекомендованные макс. обороты, об/мин	8000
Макс. выходная мощность двигателя, по ISO 8893, кВт/л.с. при об/мин	0,9/1,2 при 8000
Глушитель с каталитическим конвертером	Да
Частота вращения выходного вала, об/мин	7200
<b>Система зажигания</b>	
Свеча зажигания	Husqvarna HQT-4
Зазор между электродами, мм	0,5
<b>Топливная система</b>	
Емкость топливного бака, л/см <sup>3</sup>	0,343/343
<b>Размеры изделия</b>	
Вес (кроме режущего оборудования), кг	5,0
<b>Излучение шума<sup>64</sup></b>	
Уровень мощности звука, гарантированный (L <sub>WA</sub> ), дБ (A)	114
Уровень мощности звука, измеренный, дБ (A)	110
<b>Уровни шума<sup>65</sup></b>	
Уровень звукового давления на уровне уха оператора, с головкой триммера, дБ (A)	93
<b>Уровни вибрации<sup>66</sup></b>	
Эквивалент уровня вибрации (ahv, eq), с головкой триммера, рукоятка слева, м/с <sup>2</sup>	4,2

<sup>64</sup> Излучение шума в окружающую среду измеряется как шумовой эффект (L<sub>WA</sub>) согласно Директиве ЕС 2000/14/ЕС. Указанный уровень мощности звука для изделия измерен с оригинальным режущим оборудованием, дающим наивысший уровень. Разница между гарантированной и измеренной мощностью звука заключается в том, что гарантированная мощность звука включает результаты измерений как диапазон и их отклонение для изделий одной и той же модели согласно директиве 2000/14/ЕС.

<sup>65</sup> Указанные данные об эквивалентном уровне давления звука для устройства имеют типичный статистический разброс (стандартное отклонение) 1 дБ (A).

<sup>66</sup> Указанные данные о среднем уровне вибраций имеют типичный статистический разброс (стандартное отклонение) 1 м/с<sup>2</sup>.

	325L A05328CSHV
Эквивалент уровня вибрации ( $a_{hv}$ , eq), с головкой триммера, рукоятка справа, $m/s^2$	6.1

---

## Принадлежности

---

### Принадлежности

Соответствующие принадлежности	Тип	Щиток режущего оборудования
Резьбовой вал	M10L	
Головка триммера	T35, Ø 2,4 мм	588 54 37-01

## Декларация соответствия ЕС

### Содержание декларации о соответствии ЕС

Компания Husqvarna AB, SE 561 82 Huskvarna, ШВЕЦИЯ, под свою исключительную ответственность заявляет, что представленное изделие:

предприятий и стран производителя, как указано на изделии.

Поставляемый бензиновый триммер/кусторез соответствует эталону, прошедшему контроль.

<b>Описание</b>	<b>Бензиновый триммер/кусторез</b>
Марка	Husqvarna
Платформа / Тип / Модель	Платформа A05328CSHV, представленная моделью 325L.
Партия	Серийный номер с 2018 года и далее.

полностью соответствует следующим директивам и нормам ЕС:

Директива/Норматив	Описание
2006/42/ЕС	"о механическом оборудовании"
2014/30/EU	"об электромагнитной совместимости"
2000/14/ЕС	"об излучении шума от оборудования, размещенного вне помещения"
2011/65/EU	"об ограничении использования опасных веществ"

Применяются следующие согласованные стандарты и/или технические спецификации: EN ISO 12100, EN ISO 11806-1, CISPR 12, ISO 14982, EN 50581:2012 .

В соответствии с директивой 2000/14/ЕС, приложение V, заявленные значения звукового давления указаны в разделе технических данных настоящего руководства и в подписанной декларации соответствия ЕС.

Организацией TÜV Rheinland N.A. был проведен добровольный контроль от имени Husqvarna AB, в результате которого был выдан Сертификат соответствия директиве ЕС 2006/42/ЕС о механическом оборудовании.

Сертификат, предоставленный в подписанной декларации соответствия ЕС, действителен для всех

---

## Obsah

---

Úvod.....	287	Riešenie problémov.....	295
Bezpečnosť.....	288	Preprava, skladovanie a likvidácia.....	296
Montáž.....	291	Technické údaje.....	296
Prevádzka.....	292	Príslušenstvo.....	297
Údržba.....	294	ES vyhlásenie o zhode.....	298

---

## Úvod

---

### Návod na obsluhu

Pôvodný jazyk tohto návodu na obsluhu je angličtina. Návody na obsluhu v iných jazykoch sú jeho preložené verzie z angličtiny.

### Plánované použitie

Výrobok sa používa s vyžínacou hlavou na kosenie trávy. Výrobok nepoužívajte na iné účely ako kosenie či vyžínanie trávnatého porastu.

### Prehľad výrobku

(Obr. 1)

1. Vyžínacia hlava
2. Viečok plniaceho otvoru maziva
3. Kuželové ozubené koleso
4. Chránič rezacieho nadstavca
5. Hriadeľ
6. Madlové držadlo
7. Ovládač škrtiacej klapky
8. Vypínač
9. Poistka páčky plynu
10. Kryt zapaľovacej sviečky, zapaľovacia sviečka
11. Kryt štartéra
12. Rukoväť štartovacieho lanka
13. Palivová nádrž
14. Kryt vzduchového filtra
15. Balónik pumpy
16. Ovládanie sýtiča
17. Hnací disk
18. Návod na použitie
19. Hviezdicový kľúč

### Symbody na výrobku

- (Obr. 2) **UPOZORNENIE!** Tento výrobok je nebezpečný. V prípade neopatrného a nesprávneho použitia výrobku môže dôjsť k zraneniu alebo usmrteniu obsluhy alebo osôb v okolí. V záujme predchádzania zraneniam obsluhy a osôb v okolí si

**Poznámka:** Používanie tohto výrobku môže byť obmedzené vnútroštátnymi predpismi.

---

- prečítajte a dodržiavajte všetky bezpečnostné pokyny v návode na obsluhu.
- (Obr. 3) Skôr než začnete stroj používať, pozorne si prečítajte návod na obsluhu a presvedčite sa, že ste porozumeli jeho obsahu.
- (Obr. 4) Používajte schválené chrániče sluchu. Používajte schválené chrániče očí.
- (Obr. 5) Počas používania sa môžu od výrobku odraziť predmety a spôsobiť poranenie.
- (Obr. 6) Maximálne otáčky výstupného hriadeľa.
- (Obr. 7) Počas používania výrobku zachovávajte minimálnu vzdialenosť 15 metrov od ľudí a zvierat.
- (Obr. 8) Používajte iba flexibilné vyžínacie lanko
- (Obr. 9) Nepoužívajte kovové rezacie články
- (Obr. 10) Šípky zobrazujú obmedzenia pre polohu rukoväte.
- (Obr. 11) Balónik pumpy.
- (Obr. 12) Sýtič.
- (Obr. 13) Plnenie paliva.
- (Obr. 14) Emisie hluku do okolia sú v súlade so smernicou Európskej únie. Emisie výrobku sú špecifikované v kapitole s technickými údajmi tohto návodu a na štítku.

(Obr. 15) Tento výrobok je v súlade s príslušnými smernicami ES.

(Obr. 16) Tento výrobok je v súlade s príslušnými smernicami EAC.

Na výkonnom štítku je uvedené výrobné číslo. rrrr je rok výroby, tt je týždeň výroby a xxxx je poradové číslo.

rrrrttxxxx

**Poznámka:** Ostatné symboly/emblémy na výrobku odkazujú na požiadavky certifikácie pre ďalšie komerčné oblasti.

## Zodpovednosť za výrobok

V súlade s právnymi predpismi upravujúcimi zodpovednosť za výrobok nenesieme zodpovednosť za škody spôsobené našim výrobkom v dôsledku:

- nesprávne vykonanej opravy výrobku,
- opravy výrobku, pri ktorej neboli použité diely od výrobcu alebo diely schválené výrobcom,
- používania príslušenstva od iného výrobcu alebo príslušenstva, ktoré nie je schválené výrobcom,
- opravy výrobku, ktorá nebola vykonaná v schválenom servisnom stredisku alebo schválenými kompetentnými osobami,

## EU V



**VÝSTRAHA:** Nepovolená manipulácia s motorom ruší platnosť typového schválenia tohto výrobku pre EÚ.

## Bezpečnosť

### Bezpečnostné definície

Výstrahy, upozornenia a poznámky slúžia na zdôraznenie mimoriadne dôležitých častí návodu.



**VÝSTRAHA:** Používa sa, ak pre obsluhu alebo osoby v okolí existuje nebezpečenstvo poranenia alebo smrti v prípade nedodržania pokynov v návode.



**VAROVANIE:** Používa sa, ak hrozí nebezpečenstvo poškodenia produktu, iných materiálov alebo okolitej oblasti v prípade nedodržania pokynov v návode.

**Poznámka:** Používa sa na poskytnutie informácií nad rámec nevyhnutných informácií v danej situácii.

### Ochrana proti vibráciám

Tento výrobok je určený len na príležitostné používanie. Nepretržitá alebo pravidelná prevádzka výrobku môže viesť k syndrómu „bielych prstov“ alebo k podobným zdravotným problémom vyplývajúcim z vibrácií. Ak výrobok používate nepretržite alebo pravidelne, dbajte na starostlivosť o stav vašich rúk a prstov. Ak budú vaše ruky alebo prsty vykazovať známky straty sfarbenia, začnú vás bolieť, chvieť sa alebo vám znečitlivejú, prestaňte pracovať a okamžite kontaktujte svojho lekára.

### Všeobecné bezpečnostné pokyny



**VÝSTRAHA:** Skôr než budete výrobok používať, prečítajte si nasledujúce výstrahy.

- Výrobok používajte správne. Nesprávne používanie môže mať za následok poranenie alebo smrť. Výrobok používajte len na účely uvedené v tomto návode. Výrobok nepoužívajte na iné účely.
- Dodržiavajte pokyny uvedené v tomto návode. Dodržiavajte bezpečnostné symboly a bezpečnostné pokyny. Ak používateľ nebude dodržiavať uvedené pokyny a symboly, môže dôjsť k poraneniu, poškodeniu alebo smrti.
- Tento návod nezahadzujte. Tieto pokyny poskytujú všetky potrebné kroky na montáž a prevádzku výrobku a pomôžu vám udržať výrobok v dobrom stave. Tieto pokyny poskytujú všetky potrebné kroky na správnu inštaláciu doplnkov a príslušenstva. Používajte len schválené doplnky a príslušenstvo.
- Ak sa výrobok poškodí, nepoužívajte ho. Dodržiavajte plán údržby. Vykonávajte len údržbu, ku ktorej nájdete pokyny v tomto návode. Všetky ostatné práce týkajúce sa údržby musí vykonať schválené servisné stredisko.
- Tento návod na obsluhu nezahŕňa všetky situácie, s ktorými sa môžete počas používania tohto výrobku stretnúť. Pri jeho používaní zachovávajte opatnosť a riadte sa zdravým úsudkom. Výrobok nepoužívajte ani na ňom nevykonávajte žiadnu údržbu, ak s istotou neviete, o aký problém ide. Kontaktujte produktového odborníka, predajcu, servisného zástupcu alebo schválené servisné stredisko a požiadajte o informácie.
- Pred montážou výrobku, jeho uskladnením alebo vykonávaním údržby odpojte kábel zapaľovacej sviečky.
- Výrobok nepoužívajte, ak sa zmenili jeho pôvodné technické špecifikácie. Nevymieňajte diely výrobku bez schválenia výrobcu. Používajte iba príslušenstvo



schválené výrobcom. Nesprávna údržba môže mať za následok poranenie alebo smrť.

- Nevychudajte výpary z motora. Dihodobé vdychovanie výfukových plynov predstavuje zdravotné riziko.
- Neštartujte výrobok vo vnútri ani v blízkosti horľavého materiálu. Výfukové plyny sú horúce a môžu obsahovať iskry, ktoré môžu spôsobiť požiar. Nedostatočné prúdenie vzduchu môže spôsobiť poranenie alebo smrť v dôsledku udusenía alebo otravy oxidom uhoľnatým.
- Počas používania tohto výrobku vytvára motor elektromagnetické pole. Elektromagnetické pole môže poškodiť implantované lekárske prístroje. Pred používaním tohto výrobku sa poraďte so svojim lekárom a výrobcom implantovaného lekárskeho prístroja.
- Nedovoľte, aby výrobok používali deti. Nedovoľte, aby výrobok používali osoby, ktoré nepoznajú potrebné pokyny.
- Osoby so zníženými fyzickými alebo duševnými schopnosťami musia byť počas používania výrobku vždy pod dozorom. Vyžaduje sa neustála prítomnosť zodpovednej dospeljej osoby.
- Výrobok bezpečne uzamknite na mieste, ku ktorému nemajú prístup deti a nepovolené osoby.
- Počas používania sa môžu od výrobku odraziť predmety a spôsobiť poranenia. Dodržiavajte bezpečnostné pokyny, aby ste znížili riziko poranenia alebo smrti.
- Nevzdávajte sa od výrobku, keď je zapnutý motor.
- V prípade nehody zodpovedá za následky používateľa.
- Pred používaním výrobku sa uistite, že nie sú poškodené žiadne diely.
- Pred používaním výrobku sa uistite, že sa nachádzate minimálne 15 m od iných osôb alebo zvierat. Uistite sa, že osoby v okolí vedia o tom, že budete výrobok používať.
- Dodržiavajte národné alebo miestne právne predpisy. V určitých podmienkach môžu zakazovať alebo obmedzovať prevádzku výrobku.
- Výrobok nepoužívajte, ak ste unavení alebo pod vplyvom alkoholu, drog alebo liekov. Môže to ovplyvniť váš zrak, pozornosť, koordináciu a úsudok.

## Bezpečnostné pokyny pre montáž



**VÝSTRAHA:** Skôr než budete výrobok používať, prečítajte si nasledujúce výstrahy.

- Pred zostavením výrobku odpojte kryt zapalovacej sviečky od zapalovacej sviečky.
- Používajte schválené ochranné rukavice.
- Pred naštartovaním motora sa uistite, že sú kryt a hriadeľ správne nasadené.

## Bezpečnostné pokyny pre prevádzku

- Pred používaním sa uistite, že je výrobok plne zmontovaný.
  - Pred spustením premiestnite výrobok 3 m od miesta, na ktorom ste plnili palivovú nádrž. Položte výrobok na rovinný povrch. Uistite sa, že sa rezací nadstavec nedotýka zeme ani iných predmetov.
  - Počas používania sa môžu od výrobku odraziť predmety a spôsobiť poranenie očí. Počas používania výrobku vždy používajte schválené chrániče očí.
  - Počas používania dávajte pozor, aby sa do blízkosti výrobku bez vášho vedomia nedostalo dieťa.
  - Výrobok nepoužívajte, ak sa v pracovnej zóne nachádzajú iné osoby. Ak sa do pracovnej zóny dostane osoba, výrobok vypnite.
  - Uistite sa, že výrobok máte vždy úplne pod kontrolou.
  - Výrobok nepoužívajte, ak v prípade nehody nie je k dispozícii pomoc. Pred používaním sa vždy uistite, že ďalšie osoby vedia o tom, že budete výrobok používať.
  - Pri otáčaní sa s výrobkom sa najskôr uistite, že sa v bezpečnostnej zóne nenachádzajú žiadne osoby ani zvieratá.
  - Skôr ako začnete, odstráňte z pracovnej zóny všetok neželaný materiál. Ak rezací nadstavec narazí na predmet, predmet sa môže odraziť a spôsobiť poranenie alebo viesť k poškodeniu. Neželaný materiál sa môže obmotať okolo rezacieho nadstavca a viesť k poškodeniu.
  - Výrobok nepoužívajte v nepriaznivom počasí (hmla, dážď, silný vietor, riziko zásahu bleskom alebo iné nepriaznivé poveternostné podmienky). Nepriaznivé počasie môže mať za následok vznik nebezpečných podmienok (ako sú napr. klzké povrchy).
  - Uistite sa, že sa môžete voľne pohybovať a pracovať v stabilnej polohe.
- (Obr. 17)
- Uistite sa, že počas používania výrobku nemôžete spadnúť. Počas obsluhy výrobku sa nenakláňajte.
  - Výrobok vždy držte oboma rukami. Výrobok držte na pravej strane tela.

(Obr. 18)

- Počas prevádzky držte výrobok s rezacím nadstavcom pod úroveň pásu.
- Ak je ovládanie sýtiča počas naštartovania motora v polohe sýtiča, rezací nadstavec sa začne otáčať.
- Nedotýkajte sa kužeľového prevodu po zastavení motora. Kužeľový prevod je po zastavení motora horúci. Horúce plochy môžu spôsobiť poranenie.
- Pred premiestňovaním výrobku vypnite.
- Nekladte výrobok na zem, keď je zapnutý motor.
- Pred odstraňovaním neželaného materiálu z výrobku vypnite motor a počkajte, kým sa rezací nadstavec zastaví. Skôr ako vy alebo iná osoba začne s

odstraňovaním nakoseného materiálu, počkajte, kým sa rezací nadstavec zastaví.

## Osobné ochranné prostriedky



**VÝSTRAHA:** Skôr než budete výrobok používať, prečítajte si nasledujúce výstrahy.

- Počas používania výrobku vždy používajte správne osobné ochranné prostriedky. Osobné ochranné prostriedky neznamenajú, že neexistuje nebezpečenstvo poranenia. V prípade nehody môžu osobné ochranné prostriedky znížiť závažnosť poranenia.
- Počas používania výrobku vždy používajte schválené chrániče očí.
- Výrobok neobsluhujte s bosými nohami ani v otvorených topánkach. Vždy noste odolné protišmykové topánky.
- Noste dlhé odolné nohavice.
- V prípade potreby používajte schválené ochranné rukavice.
- Ak existuje riziko poranenia hlavy v dôsledku pádu predmetov, používajte prilbu.
- Počas obsluhy výrobku vždy používate schválenú ochranu uší. Dlhodobé pôsobenie hluku môže mať za následok stratu sluchu.
- Uistite sa, že máte v blízkosti k dispozícii lekárničku.

## Bezpečnostné zariadenia na výrobku



**VÝSTRAHA:** Skôr než budete používať produkt, prečítajte si nasledujúce výstrahy.

- Nepoužívajte produkt, ktorý má chybné bezpečnostné zariadenia.
- Pravidelne kontrolujte bezpečnostné zariadenia. Pozrite si časť *Prehľad výrobku na strane 287*.
- Ak sú bezpečnostné zariadenia chybné, obráťte sa na servisného zástupcu spoločnosti Husqvarna.

### Poistka páčky plynu

Poistka páčky plynu slúži na uzamknutie páčky plynu. (Obr. 19)

Stlačením poistky páčky plynu (A) uvoľníte páčku plynu (B). Keď pustíte rukoväť, poistka páčky plynu a páčka plynu sa vrátia do východiskovej polohy.

1. Pri uvoľnení poistky páčky plynu (A) sa uistíte, že je páčka plynu (B) zaistená v polohe voľnobehu.
2. Stlačte poistku páčky plynu (A) a uistite sa, že sa po uvoľnení vráti do východiskovej polohy.
3. Stlačte páčku plynu (B) a uistite sa, že sa po uvoľnení vráti do východiskovej polohy.

Naštartujte motor a pridajte plný plyn. Uvoľnite páčku plynu a skontrolujte, či sa rezací nadstavec zastaví. Ak sa rezací nadstavec otáča, keď je páčka plynu v polohe

voľnobehu, skontrolujte nastavovaciu skrutku voľnobehu karburátora.

### Vypínač

Naštartujte motor. Uistite sa, že po prepnutí vypínača do polohy zastavenia sa motor zastaví.

(Obr. 20)

### Chránič rezacieho nadstavca

Chránič rezacieho nadstavca zabraňuje odrazeniu uvoľnených predmetov smerom k používateľovi.

(Obr. 21)

Skontrolujte, či nie je chránič rezacieho nadstavca poškodený a v prípade potreby ho vymeňte. Používajte len schválený chránič pre rezací nadstavec.

### Tlmič výfuku

- Nepoužívajte motor, ak je tlmič výfuku poškodený. Poškodený tlmič výfuku zvyšuje hladinu hluku a nebezpečenstvo požiaru. Majte poruke hasiaci prístroj.
- Pravidelne kontrolujte, že je tlmič výfuku pripravený k výrobku.
- Nedotýkajte sa motora ani tlmiča výfuku, keď je motor v prevádzke. Nedotýkajte sa motora ani tlmiča výfuku hneď po vypnutí motora. Horúce povrchy môžu spôsobiť poranenia.
- Horúci tlmič výfuku môže mať za následok vznik požiaru. Pri používaní výrobku v blízkosti horľavých kvapalín alebo plynov zachovajte opatrnosť.
- Ak je tlmič výfuku poškodený, nedotýkajte sa dielov vnútri tlmiča výfuku. Diely môžu obsahovať niektoré karcinogénne chemikálie.

## Rezací nadstavec



**VÝSTRAHA:** Skôr než budete výrobok používať, prečítajte si nasledujúce výstrahy.

- Vykonávajte pravidelnú údržbu. Rezací nadstavec nechajte pravidelne kontrolovať v schválenom servisnom stredisku kvôli potrebným úpravám a opravám.
  - Zvýšte tak výkonnosť rezacieho nadstavca.
  - Predĺžite tak životnosť rezacieho nadstavca.
  - Znížite tak riziko výskytu nehôd.
- Používajte len schválený chránič rezacieho nadstavca. Ďalšie informácie sú uvedené v časti *Príslušenstvo na strane 297*.
- Nepoužívajte poškodený rezací nadstavec.

## Bezpečnosť paliva



**VÝSTRAHA:** Skôr než budete používať produkt, prečítajte si nasledujúce výstrahy.

- Palivo nezmiešavajte v interiéri ani v blízkosti zdroja tepla.
- Výrobok neštartujte, ak sú na ňom zvyšky paliva alebo motorového oleja. Odstráňte neželané palivo/ olej a nechajte výrobok vyschnúť. Odstráňte z výrobku neželané palivo.
- Ak vylejete palivo na odev, okamžite sa prezlečte.
- Dávajte pozor, aby ste si palivo nevyliali na telo, pretože môže spôsobiť poranenie. Ak si palivo vylejete na telo, umyte sa pomocou mydla a vody.
- Motor neštartujte, ak olej alebo palivo vylejete na výrobok alebo na svoje telo.
- Výrobok neštartujte, ak sa na motore vyskytuje netenosť. Pravidelne kontrolujte výskyt netečnosti na motore.
- Pri manipulácii s palivom zachovajte opatrnosť. Palivo je horľavá látka a výpary z paliva sú výbušné a môžu spôsobiť poranenia alebo smrť.
- Vyhňte sa vdychovaniu výparov paliva, pretože môžu spôsobiť poranenie. Zabezpečte dostatočné prúdenie vzduchu.
- V blízkosti paliva alebo motora nefajčite.
- Neukladajte do blízkosti paliva alebo motora teplé predmety.
- Nedopĺňajte palivo, keď je zapnutý motor.
- Pred dopĺňaním paliva sa uistite, že motor vychladol.
- Pred dopĺňaním paliva pomaly otvorte veko palivovej nádrže a opatrne uvoľnite tlak.
- Palivo do motora nedopĺňajte v interiéri. Nedostatočné prúdenie vzduchu môže spôsobiť poranenie alebo smrť v dôsledku udusenía alebo otravy oxidom uhoľnatým.
- Starostlivo utiahnite veko palivovej nádrže, inak hrozí riziko vzniku požiaru.
- Pred spustením premiestnite výrobok minimálne 3 m od miesta, na ktorom ste dopĺňali palivo do nádrže.
- Nepreplňajte palivovú nádrž.
- Pri premiestňovaní výrobku alebo nádoby na palivo sa uistite, že z nich nevyteká palivo.
- Výrobok ani nádobu na palivo neukladajte na miesta s otvoreným ohňom, iskrami alebo trvalým plameňom. Uistite sa, že sa na mieste, na ktorom výrobok uskladníte, nenachádza otvorený oheň.
- Na premiestnenie alebo uskladnenie paliva používajte len schválené nádoby.
- Pred dlhodobým uskladnením vyprázdňte palivovú nádrž. Pri likvidácii paliva dodržiavajte miestne právne predpisy.
- Pred dlhodobým uskladnením výrobok vyčistite.
- Pred odložením odmontujte z výrobku kábel zapalovacej sviečky, aby ste sa uistili, že nedôjde k náhodnému spusteniu motora.

## Bezpečnostné pokyny pre údržbu



**VÝSTRAHA:** Skôr než začnete s údržbou výrobku, prečítajte si nasledujúce výstrahy.

- Vykonávajte len údržbu a servisné úkony uvedené v tomto návode na obsluhu. Všetky ostatné servisné úkony a opravy nechajte vykonať profesionálnych pracovníkov servisu.
- Pravidelne vykonávajte bezpečnostné kontroly, údržby a dodržiavajte servisné pokyny uvedené v tomto návode. Pravidelná údržba predlžuje životnosť výrobku a znižuje nebezpečenstvo nehôd. Pokyny nájdete v časti *Plán údržby na strane 294*.
- Ak bezpečnostné kontroly uvedené v tomto návode na obsluhu nie sú schválené po vykonaní údržby, obráťte sa na servisného technika. Zaručujeme, že tento výrobok sú k dispozícii profesionálne opravné a servisné služby.

## Montáž

### Úvod



**VÝSTRAHA:** Pred zostavením výrobku si musíte prečítať kapitolu o bezpečnosti a porozumieť informáciám, ktoré sa v nej uvádzajú.



**VÝSTRAHA:** Pred zostavením výrobku od zapalovacej sviečky odpojte kábel zapalovacej sviečky.

### Montáž oblúkovej rukoväti

1. Oblúkovú rukoväť umiestnite medzi šípky nachádzajúce sa na hriadeľi.
2. Uťahnutím skrutky pripevnite oblúkovú rukoväť k hriadeľu. (Obr. 22)

### Montáž rezacieho nadstavca

#### Montáž krytu rezacieho nadstavca

1. Nasadte kryt rezacieho nadstavca (A) na hriadeľ. (Obr. 23)
2. Nasadte podporu (B) do zárezu na kryte rezacieho nadstavca.
3. Vložte skrutku (C) cez otvor na podpere do otvoru na kryte rezacieho nadstavca a upevnite ju.

#### Pripevnenie vyžínacej hlavy

1. Uistite sa, že je na výrobku upevnený kryt rezacieho nadstavca (A). Pozrite si časť *Montáž krytu rezacieho nadstavca na strane 291*. (Obr. 24)
2. Skontrolujte, či je hnačic disk (C) pripevnený k výstupnému hriadeľu (D).

- Vložte hviezdicový kľúč (B) do otvoru na zaistenie hriadeľa.
- Nasadte vyžínaciu hlavu (E) na výstupný hriadeľ.

- Otočením vyžínacej hlavy proti smeru hodinových ručičiek ju utiahnite a upevnite k výstupnému hriadeľu. (Obr. 25)
- Vyberte hviezdicový kľúč.

## Prevádzka

### Úvod



**VÝSTRAHA:** Pred používaním výrobku si musíte prečítať kapitolu o bezpečnosti a porozumieť informáciám, ktoré sa v nej uvádzajú.

### Palivo

Tento výrobok má dvojtaktný motor.



**VAROVANIE:** Nesprávny typ paliva môže poškodiť motor. Používajte zmes benzínu a dvojtaktného oleja.

### Namiešané palivo

- Na dosiahnutie najlepšieho výkonu a maximalizáciu životnosti motora použite namiešané kvalitné alkylátové palivo Husqvarna. Toto palivo obsahuje v porovnaní s bežným palivom menej škodlivých látok, čo znižuje objem škodlivých výfukových plynov. Množstvo zvyškov po spaľovaní je pri tomto palive nižšie, čo udržiava komponenty motora čistejšie.

### Miešanie paliva

#### Benzín



**VAROVANIE:** Nepoužívajte benzín s oktánovým číslom menším než 90 RON (87 AKI). Mohlo by to viesť k poškodeniu výrobku.



**VAROVANIE:** Nepoužívajte benzín s vyššou než 10 % koncentráciou etanolu (E10). Mohlo by to viesť k poškodeniu výrobku.

- Vždy používajte nový bezolovnatý benzín s minimálnym oktánovým číslom 90 RON (87 AKI) a maximálne 10 % koncentráciou etanolu (E10).
- Ak výrobok často používate na dlhodobé práce pri vysokých otáčkach, odporúčame používať vysokooktánový benzín.

#### Dvojtaktný olej

- Na dosiahnutie najlepších výsledkov používajte dvojtaktný olej Husqvarna.
- Ak nemáte k dispozícii dvojtaktný olej Husqvarna, môžete použiť iný dvojtaktný olej vysokej kvality, ktorý je určený pre vzduchom chladené motory.

S výberom správneho oleja vám poradí váš servisný predajca.



**VAROVANIE:** Nepoužívajte olej pre dvojtaktné motory určený pre vodu chladené motory, niekedy označovaný aj ako olej pre lodné motory. Nepoužívajte oleje určené pre štvortaktné motory.

### Vytvorenie zmesi benzínu a oleja pre dvojtaktné motory

Benzín, liter	Olej pre dvojtaktné motory, liter
	<b>2 % (50:1)</b>
5	0,10
10	0,20
15	0,30
20	0,40



**VAROVANIE:** Pri miešaní malého množstva paliva môžu malé chyby výrazne ovplyvniť pomer zmesi. Opatrne odmerajte množstvo oleja, aby ste získali správnu zmes.

(Obr. 26)

- Polovicu množstva benzínu nalejte do čistej nádoby na palivo.
- Pridajte celú dávku oleja.
- Zmes paliva premiešajte.
- Do nádoby pridajte zvyšné množstvo benzínu.
- Zmes paliva opatrne premiešajte.



**VAROVANIE:** Zmes paliva nemiešajte na viac ako 1 mesiac.

### Pridanie paliva

- Vždy používajte nádobu na palivo s ventilom proti pretečeniu paliva.
- Ak sa palivo vyleje na nádobu, odstráňte neželané palivo a nechajte nádobu vyschnúť.
- Uistite sa, že oblasť okolo veka palivovej nádrže je čistá.

- Pred doplnením paliva do palivovej nádrže nádobu na palivo pretrepte.

## Vykonajte zábeh

- Počas prvých 10 hodín prevádzky nepoužívajte dlhý čas plný plyn bez zaťaženia.

## Zapnutie a vypnutie

### Kontrola pred naštartovaním

1. Skontrolujte, či výrobok nemá poškodené, uvoľnené alebo opotrebované diely a či niektoré diely nechýbajú.
2. Skontrolujte, či sú utiahnuté matice a skrutky.
3. Skontrolujte, či vyžínacia hlava nie je poškodená.
4. Uistite sa, že nie je upchatý vzduchový filter.
5. Skontrolujte, či sú bezpečnostné zariadenia na výrobku nepoškodené.
6. Skontrolujte, či na výrobku nedochádza k úniku paliva.

### Štartovanie studeného motora

1. 10-krát stlačte balónik pumpy. (Obr. 27)
2. Potiahnite ovládanie sýtiča smerom nahor. (Obr. 28)
3. Ľavou rukou držte telo výrobku na zemi. (Obr. 29) Na výrobok nestúpajte. Pomaly potiahnite rukoväť štartovacieho lanka, kým nepocítite istý odpor. Potom rukoväť štartovacieho lanka silno potiahnite.

**Poznámka:** Počas štartovania motora neťahajte za páčku plynu.

4. Ťahajte rukoväť štartovacieho lanka, kým sa motor nenašartuje alebo sa nepokúsi naštartovať (max. 3 potiahnutia). Ak motor naštartuje alebo sa pokúša naštartovať, potlačte ovládanie sýtiča nadol. Pokračujte v ťahaní, kým motor nenašartuje. Po naštartovaní počkajte 60 sekúnd a až potom potiahnite páčku plynu.



**VAROVANIE:** Štartovacie lanko neťahajte, kým sa nezastaví. Keď je štartovacie lanko úplne vytiahnuté, nepúšťajte ho. Štartovacie lanko pomaly uvoľníte. Nedodržanie týchto pokynov môže viesť k poškodeniu motora.

### Štartovanie teplého motora

1. 10-krát stlačte balónik pumpy.
2. Ťahajte štartovacie lanko, kým motor nenašartuje.

### Naštartovanie motora v prípade, že je palivo príliš horúce

Ak sa výrobok nenašartuje, palivo môže byť príliš horúce.

**Poznámka:** Vždy používajte nové palivo a skráťte prevádzkový čas v teplom počasí.

1. Výrobok chráňte pred priamym slnečným svetlom a odkladajte ho na chladné miesta.
2. Výrobok nechajte vychladnúť minimálne 20 minút.
3. Opakovane stláčajte balónik pumpy 10 – 15 sekúnd.
4. Dodržiavajte pokyny pri štarte studeného motora. Pozrite si časť *Štartovanie studeného motora na strane 293*.

### Vypnutie

- Stlačením vypínača zastavte motor. (Obr. 30)

**Poznámka:** Vypínač sa automaticky vráti do svojej východiskovej polohy.

### Používanie vyžínacza trávnik



**VAROVANIE:** Uistite sa, že po každom úkone motor spomalí na voľnobežné otáčky. Dlhodobé používanie výrobku na plný plyn bez zaťaženia motora môže viesť k poškodeniu motora.

**Poznámka:** Aby ste zabránili vibráciám, pri prípevňovaní nového žacieho lanka vyčistite vyžínaciu hlavu. Skontrolujte ostatné časti vyžínacej hlavy a v prípade potreby ich vyčistite.

### Vyžínanie trávy

1. Vyžínaciu hlavu držte okamžite nad zemou a v uhle. Netlačte lanko vyžínacza na trávnik. (Obr. 31)
2. Skráťte dĺžku lanka vyžínacza na 10 – 12 cm.
3. Znížte otáčky motora, aby ste znížili riziko poškodenia rastlín.
4. Pri kosení trávnik v blízkosti predmetov používajte plyn na 80 %. (Obr. 32)

### Kosenie trávnik

1. Pri kosení trávnik sa uistite, že je vyžínacie lanko trávnik rovnomerne so zemou. (Obr. 33)
2. Netlačte vyžínaciu hlavu k zemi. Zem a výrobok sa môžu poškodiť.
3. Dávajte pozor, aby sa vyžínacia hlava nedotýkala nepretržite zeme, pretože sa môže poškodiť.
4. Počas posúvania výrobku zo strany na stranu pri kosení trávnik používajte plný plyn. Uistite sa, že je žacie lanko trávnik rovnomerne zo zemou. (Obr. 34)

### Vyžínacia hlava na trávnik

- Za účelom zníženia vibrácií sa uistite, že žacie lanko trávnik pevne a rovnomerne obmotáte okolo cievky.

- Používajte len schválené vyžínacie hlavy na trávnik a žacie lanká trávniká. Pozrite si časť *Príslušenstvo na strane 297*.
- Používajte správnu dĺžku žacieho lanka trávniká. Dlhé žacie lanko trávniká vyžaduje väčší výkon motora ako krátke žacie lanko. (Obr. 35) (Obr. 36) (Obr. 37) (Obr. 38) (Obr. 39) (Obr. 40) (Obr. 41) (Obr. 42)
- Uistite sa, že nie je poškodený rezací zub na chrániči rezacieho nadstavca.
- Pred pripnutím k výrobku namočte žacie lanko trávniká na 2 dni do vody. Zvýšite tak životnosť žacieho lanka trávniká.

## Výmena žacieho lanka

(Obr. 35)  
(Obr. 36)  
(Obr. 37)  
(Obr. 38)  
(Obr. 39)  
(Obr. 40)  
(Obr. 41)  
(Obr. 42)

# Údržba

## Úvod



**VÝSTRAHA:** Pred vykonávaním akejkoľvek údržby si musíte prečítať kapitolu o bezpečnosti a porozumieť jej.

Údržba a opravné práce na výrobku si vyžadujú špeciálne školenie. Zaručujeme dostupnosť profesionálnych opravných prác a údržby. Ak váš predajca nie je servisný zástupca, kontaktujte predajcu, ktorý vám poskytne informácie o najbližšom servisnom zástupcovi.

## Plán údržby

### Týždenná údržba

- Vyčistite vonkajšie povrchy.
- Skontrolujte, či sa pri voľnobehu neotáča rezací nadstavec. Pozrite si časť *Nastavenie voľnobežných otáčok na strane 294*.
- Skontrolujte úroveň maziva v kužeľovom prevode. Pozrite si časť *Doplnenie maziva do kužeľového prevodu na strane 295*.

### Mesačná údržba

- Skontrolujte, či rukoväť štartovacieho lanka a štartovacie lanko nie sú poškodené.

### Ročná údržba

- Skontrolujte zapalovaciu sviečku. Pozrite si časť *Kontrola zapalovacej sviečky na strane 294*
- Vyčistite vonkajšie povrchy karburátora a príslušenstvá.
- Vyčistite chladiaci systém.
- Skontrolujte kryt na ochranu pred iskrami. Pozrite si časť *Údržba krytu na ochranu pred iskrami na strane 294*.
- Skontrolujte palivový filter.
- Skontrolujte, či palivová hadica nie je poškodená.
- Skontrolujte, či káble a pripojenia na výrobku nie sú poškodené.

## Nastavenie voľnobežných otáčok

- Pred nastavením voľnobežných otáčok sa uistite, že je čistý vzduchový filter a pripnutý kryt vzduchového filtra.
- Pomocou nastavovacej skrutky T voľnobehu (označená písmenom „T“) nastavte voľnobežné otáčky.
- Voľnobežné otáčky sú nastavené správne, ak motor beží plynulo vo všetkých polohách. Voľnobežné otáčky musia byť nižšie ako otáčky, pri ktorých sa začne pohybovať rezací nadstavec.
  1. Otáčajte nastavovaciu skrutku voľnobehu v smere hodinových ručičiek, kým sa rezací nadstavec nezačne točiť. (Obr. 43)
  2. Otáčajte nastavovaciu skrutku voľnobehu proti smeru hodinových ručičiek, kým sa rezací nadstavec nezastaví.

## Údržba krytu na ochranu pred iskrami

Kryt na ochranu pred iskrami vyčistite pomocou drôtenej kefy. (Obr. 44)

## Čistenie chladiaceho systému

Súčasti chladiaceho systému vyčistite pomocou kefy. (Obr. 45)

## Kontrola zapalovacej sviečky



**VAROVANIE:** Používajte odporúčanú zapalovaciu sviečku. Uistite sa, že pri výmene použijete rovnaký diel ako diel dodaný výrobcom. Nesprávny typ zapalovacej sviečky môže viesť k poškodeniu výrobku.

1. Zapalovaciu sviečku skontrolujte v prípade:
  - a) nízkeho výkonu motora,
  - b) problémov s naštartovaním motora,
  - c) nesprávnej prevádzky motora pri voľnobežných otáčkach.

2. Ak máte problémy s naštartovaním alebo prevádzkou motora, skontrolujte, či sa na zapáľovacej sviečke nevyskytuje neželaný materiál. Zníženie rizika prítomnosti neželaného materiálu na elektródach zapáľovacej sviečky:
  - a) uistite sa, že sú správne nastavené voľnobežné otáčky,
  - b) uistite sa, že používate správnu zmes paliva,
  - c) uistite sa, že je čistý vzduchový filter.
3. Ak je zapáľovacia sviečka znečistená, vyčistite ju. Skontrolujte správnosť medzery medzi elektródami. (Obr. 46)
4. V prípade potreby vymeňte zapáľovaciu sviečku.

## Údržba vzduchového filtra

### Čistenie vzduchového filtra

1. Odstráňte kryt vzduchového filtra a vzduchový filter. (Obr. 47)
2. Očistite vzduchový filter teplou mydlovou vodou. Pred opätovným vložením sa uistite, že je vzduchový filter suchý.
3. Ak je vzduchový filter príliš znečistený a nie je možné ho vyčistiť, vymeňte ho. Poškodený vzduchový filter vždy vymeňte.
4. Ak je výrobok vybavený penovým vzduchovým filtrom, použite olej vzduchového filtra. Olej vzduchového filtra aplikujte len na penový vzduchový filter. Neaplikujte olej na plstený filter.

## Aplikácia oleja vzduchového filtra



**VAROVANIE:** Na penové vzduchové filtre vždy aplikujte špeciálny olej vzduchového filtra. Nepoužívajte iné typy olejov.



**VÝSTRAHA:** Dávajte pozor, aby ste si olej nevyliali na telo.

1. Odstráňte kryt vzduchového filtra a vzduchový filter. (Obr. 48)
2. Vložte vzduchový filter do plastového vrečka.
3. Nalejte do plastového vrečka olej vzduchového filtra. (Obr. 49)
4. Stlačením plastového vrečka sa uistite, že olej rovnomerne prekryje celý vzduchový filter.
5. Stlačením vzduchového filtra vo vrečku odstráňte z filtra nadbytočný olej. Vyberte vzduchový filter z vrečka.
6. Nainštalujte vzduchový filter.

## Doplnenie maziva do kužeľového prevodu

Uistite sa, že je kužeľový prevod do 3/4 naplnený mazivom pre kužeľový prevod.

(Obr. 50)

## Riešenie problémov

### Motor neštartuje

Kontrola	Možná príčina	Postup
Vypínač.	Vypínač je v polohe Stop.	Prepnite vypínač do štartovacej polohy.
Západky štartéra.	Západky štartéra sa voľne nepohybujú.	Zložte kryt štartéra a očistite okolie západiek štartéra. Požiadajte o pomoc schváleného servisného zástupcu.
Palivová nádrž.	Nesprávny typ paliva.	Vypustite palivovú nádrž a naplňte ju správnym palivom.

Kontrola	Možná příčina	Postup
Zapařovací sviečka.	Zapařovací sviečka je špinavá alebo mokrá.	Uistite sa, že je zapařovací sviečka suchá a čistá.
	Medzi elektródami zapařovacej sviečky je nesprávna medzera.	Vyčistite zapařovaciu sviečku. Skontrolujte správnu šírku medzery medzi elektródami. Skontrolujte, či má zapařovací sviečka odrušovaciu koncovku.
		Informácie o správnosti medzery medzi elektródami nájdete v časti s technickými údajmi.
	Zapařovací sviečka je uvoľnená.	Utiahnite zapařovaciu sviečku.

## Motor našartuje, no znova sa vypne

Kontrola	Možná příčina	Postup
Palivová nádrž	Nesprávny typ paliva.	Vypustite palivovú nádrž a naplňte ju správnym palivom.
Vzduchový filter	Vzduchový filter je upchatý.	Vyčistite vzduchový filter.

## Preprava, skladovanie a likvidácia

### Preprava a uskladnenie

- Pred prepravou alebo uskladnením nechajte výrobok vychladnúť.
- Pred dlhodobým skladovaním odstráňte kryt zapařovacej sviečky.
- Pred prepravou výrobok upevnite. Presvedčte sa, že sa ním nedá pohnúť.

- Presvedčte sa, že počas prepravy a skladovania nehrozí žiadne nebezpečenstvo úniku paliva, vzniku palivových výparov, iskier ani plameňov.
- Pred dlhodobým uskladnením výrobok vyčistite a vykonajte jeho servis.

## Technické údaje

### Technické údaje

	<b>325L</b>
	<b>A05328CSHV</b>
<b>Motor</b>	
Objem valca, cm <sup>3</sup>	27,6
Voľnobežné otáčky, ot./min	2 800 – 3 200
Odporúčané max. otáčky, ot./min	8 000
Výkon/max. výkon motora podľa normy ISO 8893, kW/hp pri ot./min.	0,9/1,2 pri 8 000
Tlmič výfuku s katalyzátorom	Áno



	<b>325L</b> <b>A05328CSHV</b>
Otáčky výstupného hriadeľa, ot./min	7 200
<b>Systém zapalovania</b>	
Zapaľovacia sviečka	Husqvarna HQT-4
Vzdialenosť elektród, mm	0,5
<b>Palivový systém</b>	
Objem palivovej nádrže, l/cm <sup>3</sup>	0,343/343
<b>Rozmery výrobku</b>	
Hmotnosť (bez rezného zariadenia), kg	5,0
<b>Emisie hluku<sup>67</sup></b>	
Zaručená (L <sub>WA</sub> ) úroveň hlučnosti, dB(A)	114
Nameraná úroveň hlučnosti, dB(A)	110
<b>Úrovně hlučnosti<sup>68</sup></b>	
Úroveň akustického tlaku pri uchu používateľa, vybavené vyžínacou hlavou, dB(A)	93
<b>Úrovně vibrácií<sup>69</sup></b>	
Ekvivalentná hladina vibrácií (ahv, eq), vybavené vyžínacou hlavou, ľavá rukoväť, m/s <sup>2</sup>	4,2
Ekvivalentná hladina vibrácií (ahv, eq), vybavené vyžínacou hlavou, pravá rukoväť, m/s <sup>2</sup>	6,1

## Príslušenstvo

### Príslušenstvo

Schválené príslušenstvo	Typ	Chránič rezacieho nadstavca
Závitový hriadeľ	M10L	
Vyžínacia hlava	T35, Ø 2,4 mm	588 54 37-01

<sup>67</sup> Emisie hluku merané ako akustický výkon (L<sub>WA</sub>) v súlade s európskou smernicou 2000/14/ES. Uvádzaná hladina akustického výkonu pre výrobok bola meraná s originálnym rezacím nadstavcom, ktorý produkuje najvyššiu úroveň. Rozdiel medzi zaručeným a nameraným akustickým výkonom spočíva v tom, že zaručený akustický výkon zahŕňa aj rozptyl výsledkov merania a rozdiely medzi jednotlivými výrobkami rovnakého modelu v súlade so smernicou 2000/14/ES.

<sup>68</sup> Uvedené údaje pre ekvivalentnú hladinu akustického tlaku majú typický štatistický rozptyl (štandardnú odchýlku) 1 dB (A).

<sup>69</sup> Uvádzané údaje pre ekvivalentnú hladinu vibrácií majú typický štatistický rozptyl (štandardnú odchýlku) 1 m/s<sup>2</sup>.

---

## ES vyhlásenie o zhode

---

### Obsah vyhlásenia o zhode ES

V mene spoločnosti Husqvarna AB, SE 561 82 Huskvarna, ŠVÉDSKO, vyhlasujeme s plnou zodpovednosťou, že reprezentovaný výrobok:

<b>Popis</b>	<b>Benzínový vyžinač trávnik/krovinorez</b>
Značka	Husqvarna
Platforma/Typ/Model	Platforma A05328CSHV, reprezentuje model 325L.
Séria	Výrobné číslo z roku 2018 a nasledujúcich rokov.

plne spĺňa nasledujúce smernice a nariadenia EÚ:

<b>Smernice/Nariadenia</b>	<b>Popis</b>
2006/42/EC	„o strojových zariadeniach“
2014/30/EÚ	„týkajúca sa elektromagnetickej kompatibility“
2000/14/ES	„týkajúca sa hluku vo voľnom priestranstve“
2011/65/EÚ	„o obmedzení používania určitých nebezpečných látok“

Spĺňa nasledovné použité harmonizované normy a/alebo technické špecifikácie: EN ISO 12100, EN ISO 11806-1, CISPR 12, ISO 14982, EN 50581:2012.

V súlade s ustanovením prílohy V smernice 2000/14/ES sú deklarované úrovne hluku uvedené v časti o technických údajoch tohto návodu na obsluhu a v podpísanom Vyhlásení o zhode ES.

Spoločnosť TÜV Rheinland N.A. vykonala nepovinnú skúšku v mene spoločnosti Husqvarna AB a udelila Certifikát zhody so smernicou Rady 2006/42/ES o strojových zariadeniach.

V zmysle Vyhlásenia o zhode ES je tento certifikát platný pre všetky miesta výroby a krajiny pôvodu, ako sú vyznačené na produkte.

Dodávaný benzínový vyžinač trávnik/krovinorez sa zhoduje so vzorkou, ktorá prešla skúškou.

---

# VSEBINA

---

Uvod.....	299	Odpravljanje težav.....	307
Varnost.....	300	Transport skladiščenje in odstranitev.....	308
Montaža.....	303	Tehnični podatki.....	308
Delovanje.....	304	Dodatna oprema.....	309
Vzdrževanje.....	306	Izjava ES o skladnosti.....	310

---

## Uvod

---

### Navodila za uporabo

Originalni jezik teh navodil za uporabo je angleščina. Navodila za uporabo v drugih jezikih so prevodi iz angleščine.

### Namen uporabe

Izdelek je z nameščeno kosilno glavo mogoče uporabljati za košnjo trave. Izdelek je dovoljeno uporabljati samo za obrezovanje in odstranjevanje trave.

### Pregled izdelka

(Sl. 1)

1. Kosilna glava
2. Pokrovček polnilne odprtine za mast
3. Kotni prenos
4. Ščitnik rezalnega priključka
5. Gred
6. Okrogli ročaj
7. Ročica plina
8. Izklopno stikalo
9. Zaklep ročice plina
10. Pokrov svečke, svečka
11. Ohišje zaganjalnika
12. Ročica zaganjalne vrvice
13. Posoda za gorivo
14. Pokrov zračnega filtra
15. Membrana črpalke goriva
16. Ročica čoka
17. Pogonski disk
18. Navodila za uporabo
19. Zvezdasti ključ

### Simboli na izdelku

- (Sl. 2) **OPOZORILO!** Ta izdelek je nevaren. Nepredvidna in nepravilna uporaba izdelka lahko povzroči poškodbe in celo smrt uporabnika ali drugih navzočih oseb. Da preprečite poškodbe uporabnika ali drugih navzočih oseb, preberite in upoštevajte varnostna navodila v navodilih za uporabo.

**Opomba:** Uporaba tega izdelka je lahko omejena z nacionalnimi predpisi.

---

- (Sl. 3) Pred uporabo izdelka natančno preberite navodila za uporabo in se prepričajte, da ste jih razumeli.
- (Sl. 4) Uporabljajte odobreno zaščito za sluh. Uporabljajte odobreno zaščito oči.
- (Sl. 5) Izdelek lahko povzroči izmet predmetov, kar lahko vodi do poškodb.
- (Sl. 6) Najvišja hitrost pogonske gredi.
- (Sl. 7) Med uporabo izdelka bodite na varni razdalji 15 m/50 čevljev od drugih oseb in živali.
- (Sl. 8) Uporabljajte samo gibljivo kosilno nitko
- (Sl. 9) Ne uporabljajte kovinskih rezil
- (Sl. 10) Puščici prikazujeta meje položaja ročaja.
- (Sl. 11) Membrana črpalke goriva.
- (Sl. 12) Čok.
- (Sl. 13) Dolivanje goriva.
- (Sl. 14) Emisije hrupa v okolje so v skladu z direktivo Evropske skupnosti. Podatki o emisijah izdelka so navedeni v poglavju "Tehnični podatki" in na nalepki.
- (Sl. 15) Izdelek je skladen z veljavnimi direktivami ES.
- (Sl. 16) Izdelek je skladen z veljavnimi direktivami EAC.

Na tipski ploščici je navedena serijska številka. **yyyy** je letnica izdelave, **ww** je teden izdelave in **xxxx** je serijska številka.

yyyywwxxxx

**Opomba:** Ostali znaki in oznake na izdelku se nanašajo na zahteve za certifikacijo, ki veljajo za druga komercialna območja.

## Odgovornost proizvajalca

Kot je navedeno v zakonodaji, ki ureja odgovornost proizvajalca, ne prevzemamo nikakršne odgovornosti za

poškodbe, ki bi jih naši izdelki povzročili v naslednjih primerih:

- Izdelek ni pravilno popravljen.
- Izdelek je popravljen z deli, ki jih ni izdelal ali odobril proizvajalec.
- Na izdelku je nameščena dodatna oprema, ki je ni izdelal ali odobril proizvajalec.
- Izdelek ni bil popravljen v pooblaščenem servisnem centru ali pri pooblaščenem organu.

## EU V



**OPOZORILO:** Zaradi predelave motorja se razveljavi EU-homologacija tega izdelka.

# Varnost

## Varnostne definicije

Opozorila, svarila in opombe opozarjajo na posebej pomembne dele priročnika.



**OPOZORILO:** Se uporabi, če obstaja nevarnost telesne poškodbe ali smrti uporabnika ali opazovalcev ob neupoštevanju navodil v tem priročniku.



**POZOR:** Se uporabi, če obstaja nevarnost poškodbe izdelka, drugih materialov ali okolice ob neupoštevanju navodil v tem priročniku.

**Opomba:** Se uporabi za podajanje podrobnejših informacij, potrebnih v dani situaciji.

## Zaščita pred vibracijami

Izdelek je namenjen izključno občasni uporabi. Nепrekinjena ali redna uporaba izdelka lahko povzroči delno prekinitev prekrvavitve prstov ali enakovredne zdravstvene težave zaradi vibracij. Pred neprekinjeno ali redno uporabo izdelka preglejte stanje svojih rok in prstov. Če roke ali prsti izgubijo barvo, v njih čutite bolečino ali mravljinice ali so otopeli, prenehajte z delom in se nemudoma posvetujte z zdravnikom.

## Splošna varnostna navodila



**OPOZORILO:** Pred uporabo izdelka preberite navodila v povezavi z opozorili v nadaljevanju.

- Izdelek uporabljajte pravilno. Če izdelka ne uporabljate pravilno, lahko pride do poškodb ali smrti. Izdelek uporabljajte samo za opravila, ki so navedena v tem priročniku. Izdelka ne uporabljajte za druga opravila.
- Sledite navodilom v tem priročniku. Upoštevajte varnostne simbole in navodila. Če uporabnik ne upošteva navodil in simbolov, lahko pride do poškodb ali smrti.
- Priročnika ne zavržite. Sledite navodilom pri sestavljanju, uporabi in vzdrževanju izdelka v brezhibnem stanju. Navodila uporabljajte za pravilno namestitve priključkov in dodatne opreme. Uporabljajte samo odobrene priključke in dodatno opremo.
- Ne uporabljajte poškodovanega izdelka. Sledite urniku vzdrževanja. Izvajajte samo postopke vzdrževanja, za katere ta priročnik vsebuje navodila. Vse druge postopke vzdrževanja mora izvesti pooblaščen servisni center.
- Ta priročnik ne more vsebovati vseh okoliščin, do katerih lahko pride pri uporabi izdelka. Bodite previdni in ravnajte razumno. Če niste prepričani glede določenih okoliščin, izdelka ne uporabljajte oziroma na izdelku ne izvajajte postopkov vzdrževanja. Za informacije se obrnite na strokovnjaka za izdelek, prodajalca, pooblaščen servisno delavnico ali servisni center.
- Pred sestavljanjem, skladiščenjem in vzdrževanjem izdelka odklopite kabel vžigalne svečke.
- Izdelka ne uporabljajte, če so se spremenile njegove originalne specifikacije. Ne spreminjajte delov izdelka brez vnaprejšnje odobritve proizvajalca izdelka. Uporabljajte samo dele, ki jih je odobril

proizvajalec. Zaradi neustreznega vzdrževanja lahko pride do poškodb ali smrti.

- Ne vdihavajte plinov iz motorja. Dolgotrajno vdihavanje izpušnih plinov motorja je zdravju nevarno.
- Izdelka nikoli ne zaganjajte v zaprtih prostorih ali v bližini vnetljivih materialov. Izpušni plini so vroči in lahko vsebujejo iskre, ki lahko povzročijo požar. Nezadosten pretok zraka lahko povzroči poškodbe ali smrt zaradi zadušitve ali zastrupitve z ogljikovim monoksidom.
- Pri uporabi tega izdelka motor ustvari elektromagnetno polje. Elektromagnetno polje lahko poškoduje medicinske vsadke. Pred uporabo izdelka se posvetujte z zdravnikom in proizvajalcem medicinskih vsadkov.
- Izdelka ne smejo uporabljati otroci. Izdelka ne smejo uporabljati osebe, ki ne poznajo navodil za uporabo.
- Če izdelek uporabljajo osebe z zmanjšanimi fizičnimi ali intelektualnimi sposobnostmi, jih morate nenehno nadzorovati. Vedno mora biti prisotna odgovorna odrasla oseba.
- Izdelek zaklenite na mesto, kamor otroci in nepooblaščen osebe nimajo dostopa.
- Izdelek lahko povzroči izmet predmetov, zaradi česar lahko pride do poškodb. Upoštevajte varnostna navodila, da zmanjšate nevarnost poškodb ali smrti.
- Ko je motor vklopljen, se ne oddaljajte od izdelka.
- Za morebitne nesreče je odgovoren uporabnik izdelka.
- Pred uporabo izdelka se prepričajte, da deli izdelka niso poškodovani.
- Pred uporabo izdelka se prepričajte, da ste od drugih oseb ali živali oddaljeni najmanj 15 m (50 čevljev). Osebe v bližini obvestite, da izdelek nameravate uporabljati.
- Ravnajte v skladu z nacionalno ali lokalno zakonodajo. Ta lahko v določenih primerih prepreči ali omeji uporabo izdelka.
- Izdelka ne uporabljajte, ko ste utrujeni, ali pod vplivom alkohola, drog ali zdravil. Lahko vplivajo na vid, pozornost, koordinacijo ali presojo.

## Varnostna navodila za nameščanje



**OPOZORILO:** Pred uporabo izdelka preberite navodila v povezavi z opozorili v nadaljevanju.

- Preden sestavite izdelek odklopite pokrovček vžigalne svečke s svečke.
- Uporabljajte odobrene zaščitne rokavice.
- Pred zagonom motorja se prepričajte, da ste pravilno namestili pokrov in gred.

## Varnostna navodila za uporabo

- Izdelek mora biti pred uporabo popolnoma sestavljen.

- Pred zagonom izdelek premaknite 3 m (10 čevljev) stran od mesta, kjer ste napolnili rezervoar za gorivo. Izdelek postavite na ravno podlago. Zagotovite, da se rezalni priključek ne dotika tal ali drugih predmetov.
- Izdelek lahko povzroči izmet predmetov, ki lahko poškodujejo oči. Pri uporabi izdelka vedno uporabljajte odobreno zaščito oči.
- Bodite previdni, saj se lahko izdelku med uporabo brez vaše vednosti približa otrok.
- Izdelka ne uporabljajte, če so na delovnem območju druge osebe. Če na delovno območje vstopi druga oseba, izdelek izklopite.
- Izdelek imejte vedno pod nadzorom.
- Izdelka ne uporabljajte, če v primeru nesreče ne morete pravočasno prejeti pomoči. Preden začnete uporabljati izdelek, druge osebe vedno obvestite, da izdelek nameravate uporabljati.
- Preden izdelek vklopite, se prepričajte, da so druge osebe ali živali ustrezno oddaljene.
- Preden začnete uporabljati izdelek, iz delovnega območja odstranite vse odvečne predmete. Če rezalni priključek trči ob predmet, lahko to povzroči izmet predmeta in posledično poškodbe ali smrt. Odvečni material se lahko navije okrog rezalnega priključka in povzroči poškodbe.
- Izdelka ne uporabljajte v slabih vremenskih razmerah (megla, dež, močan veter, nevarnost strele ipd.). Slabe vremenske razmere lahko ustvarijo nevarne pogoje (npr. spolzke površine).
- Zagotovite, da se lahko prosto premikate in delo opravljate v stabilnem položaju.

(Sl. 17)

- Zagotovite, da pri uporabi izdelka ne morete pasti. Izdelka med uporabo ne nagibajte.
- Izdelek vedno držite z obema rokama. Izdelek držite ob svojem desnem boku.

(Sl. 18)

- Rezalni priključek naj bo med uporabo izdelka pod višino pasu.
- Če je ročica čoka ob zagonu motorja v položaju za čok, se začne rezalni priključek vrteti.
- Ko se motor zaustavi, se ne dotikajte kotnega prenosa. Kotni prenos je po zaustavitvi motorja vroč. Če se vročih delov dotikate, lahko pride do poškodb.
- Preden izdelek premikate, izklopite motor.
- Ko je motor vklopljen, izdelka ne odlagajte.
- Preden z izdelka začnete odstranjevati odvečni material, izklopite motor in počakajte, da se rezalni priključek ustavi. Počakajte, da se rezalni priključek ustavi, preden vi ali oseba, ki vam pomaga, začneta odstranjevati razrezan material.

## Osebna zaščitna oprema



**OPOZORILO:** Pred uporabo izdelka preberite navodila v povezavi z opozorili v nadaljevanju.

- Pri uporabi izdelka vedno uporabljajte ustrezno osebno zaščitno opremo. Uporaba osebne zaščitne opreme ne odpravi vseh morebitnih nevarnosti poškodb. Osebna zaščitna oprema zmanjša stopnjo resnosti poškodb v primeru nesreče.
- Pri uporabi izdelka vedno uporabljajte odobreno zaščitno očič.
- Izdelka ne uporabljajte bos ali z odprto obutvijo. Vedno uporabljajte trpežno obutev, ki ne drsi.
- Oblečene imejte trpežne, dolge hlače.
- Po potrebi uporabljajte odobrene zaščitne rokavice.
- Če obstaja nevarnost poškodb zaradi padajočih predmetov, nosite čelado.
- Pri uporabi izdelka vedno uporabljajte odobreno zaščito za sluh. Dolgotrajen hrup lahko povzroči izgubo sluha.
- Zagotovite, da je v bližini komplet prve pomoči.

## Varnostne naprave na izdelku



**OPOZORILO:** Pred uporabo izdelka preberite navodila v povezavi z opozorili v nadaljevanju.

- Ne uporabljajte izdelka s poškodovanimi varnostnimi napravami.
- Redno preverjajte varnostne naprave. Glejte poglavje *Pregled izdelka na strani 299*.
- Če so varnostne naprave poškodovane, se obrnite na servisnega zastopnika Husqvarna.

## Zaklep ročice plina

Zaklep ročice plina zaklene ročico plina.

(Sl. 19)

Pritisnite zaklep ročice plina (A), da sprostite ročico plina (B). Ko sprostite ročaj, se zaklep ročice plina in ročica plina samodejno premakneta v začetna položaja.

1. Ko sprostite zaklep ročice plina (A), mora biti ročica plina (B) zaklenjena v položaj prostega teka.
2. Pritisnite zaklep ročice plina (A) in se prepričajte, da se vrne v začetni položaj, ko ga sprostite.
3. Pritisnite ročico plina (B) in se prepričajte, da se vrne v začetni položaj, ko jo sprostite.

Zaženite motor in uporabite polni plin. Spustite ročico plina in preverite, ali se je rezalni priključek ustavil. Če se rezalni priključek vrtil, ko je ročica plina v položaju prostega teka, preglejte vijak za prilagoditev prostega teka uplinjača.

## Izklopno stikalo

Zaženite motor. Motor se mora izklopiti, ko izklopno stikalo premaknete v položaj za izklop.

(Sl. 20)

## Ščitnik rezalnega priključka

Ščitnik rezalnega priključka preprečuje izmet nepritrjenih predmetov v smeri uporabnika.

(Sl. 21)

Preverite, ali je ščitnik rezalnega priključka poškodovan.

Če je poškodovan, ga zamenjajte. Uporabljajte samo odobrene ščitnike za rezalne priključke.

## Dušilnik

- Če je dušilnik poškodovan, motorja ne zaganjajte. Poškodovan dušilnik zviša nivo hrupa in poveča nevarnost požara. V bližini vedno imejte gasilni aparat.
- Redno pregledujte, ali ima izdelek nameščen dušilnik.
- Motorja ali dušilnika se ne dotikajte, ko je motor vklopljen. Motorja ali dušilnika se nekaj časa po zaustavitvi motorja ne dotikajte. Če se dotikate vročih površin, lahko pride do poškodb.
- Vroč dušilnik lahko povzroči požar. Bodite previdni, če izdelek uporabljate v bližini vnetljivih tekočin ali hlapov.
- Če je dušilnik poškodovan, se ne dotikajte njegovih notranjih delov. Ti deli lahko vsebujejo določene rakotvorne kemikalije.

## Rezalni priključek



**OPOZORILO:** Pred uporabo izdelka preberite navodila v povezavi z opozorili v nadaljevanju.

- Izvajajte redne vzdrževalne postopke. Pooblaščen servisni center naj rezalni priključek redno pregleduje in izvaja nastavitve ter popravila.
  - Delovanje rezalnega priključka se izboljša.
  - Življenjska doba rezalnega priključka se podaljša.
  - Nevarnost nesreč se zmanjša.
- Uporabljajte samo odobrena varovala rezalnega priključka. Za več informacij glejte *Dodatna oprema na strani 309*.
- Ne uporabljajte poškodovanega rezalnega priključka.

## Varnost pri delu z gorivom



**OPOZORILO:** Pred uporabo izdelka preberite navodila v povezavi z opozorili v nadaljevanju.

- Goriva ne mešajte v zaprtih prostorih ali v bližini vira toplote.
- Če so na izdelku ostanke goriva ali motornega olja, izdelka ne zaganjajte. Očistite ostanke goriva/olja in počakajte, da se izdelek posuši. Očistite ostanke goriva z izdelka.
- Če se z gorivom polijete po obleki, se nemudoma preoblecite.

- Pazite, da goriva ne polijete po telesu, saj lahko pride do poškodb. Če gorivo polijete po telesu, se očistite z milom in vodo.
- Če se je olje ali gorivo polilo po izdelku ali po vašem telesu, ne zaganjajte motorja.
- Če motor pušča, izdelka ne zaganjajte. Redno preverjajte, ali motor pušča.
- Z gorivom ravnajte previdno. Gorivo je vnetljivo, hlapi pa so eksplozivni, zato lahko pride do poškodb ali smrti.
- Ne vdihavajte hlapov goriva, saj lahko pride do poškodb. Zagotovite zadosten pretok zraka.
- V bližini goriva ali motorja ne kadite.
- Vročih predmetov ne postavljajte v bližino goriva ali motorja.
- Goriva ne dolivajte, ko je motor vklopljen.
- Pred dolivanjem goriva se prepričajte, da je motor ohlajen.
- Pred dolivanjem počasi odprite pokrovček posode za gorivo in previdno sprostite pritisk.
- Goriva ne dolivajte v zaprtih prostorih. Nezaposten pretok zraka lahko povzroči poškodbe ali smrt zaradi zadušitve ali zastrupitve z ogljikovim monoksidom.
- Skrbno privijte pokrovček posode za gorivo, da ne pride do požara.
- Preden izdelek vklopite, ga premaknite najmanj 3 m (10 čevljev) stran od mesta, kjer ste napolnili posodo za gorivo.
- V posodo za gorivo ne nalijte preveč goriva.
- Prepričajte se, da med premikanjem izdelka ali posode za gorivo ne more priti do iztekanja.
- Izdelka ali posode za gorivo ne postavljajte v bližino odprtega ognja, isker ali indikatorskih lučk. Prepričajte se, da izdelek med skladiščenjem ni izpostavljen odprtemu ognju.
- Pri premikanju ali skladiščenju goriva uporabljajte samo odobrene posode.
- Pred dolgotrajnim skladiščenjem izpraznite posodo za gorivo. Pri odlaganju goriva ravnajte v skladu z lokalno zakonodajo.
- Pred dolgotrajnim skladiščenjem izdelek očistite.
- Pred skladiščenjem odstranite kabel vžigalne svečke, da preprečite nenameren zagon motorja.

## Varnostna navodila za vzdrževanje



**OPOZORILO:** Pred vzdrževanjem izdelka preberite naslednja opozorilna navodila.

- Izvajajte le vzdrževalna in servisna dela, ki so navedena v teh navodilih za uporabo. Vsa druga servisna dela in popravila prepustite strokovnemu servisnemu osebju.
- Redno opravljajte varnostne preglede, vzdrževanje in servis v skladu z napotki v teh navodilih. Redno vzdrževanje podaljša življenjsko dobo izdelka in zmanjša nevarnost nesreč. Za navodila glejte poglavje *Urnik vzdrževanja na strani 306*.
- Če po izvedenem vzdrževanju varnostni pregledi niso uspešno opravljeni, se obrnite na servisnega zastopnika. Zagotavljamo vam, da so za vaš izdelek na voljo strokovna popravila in servisne storitve.

## Montaža

### Uvod



**OPOZORILO:** Preden sestavite izdelek morate prebrati in razumeti poglavje o varnosti.



**OPOZORILO:** Preden sestavite izdelek odklopite kabel vžigalne svečke s svečke.

### Namestitev okroglega ročaja

1. Okrogli ročaj namestite med puščici na gredi.
2. Zategnite vijak in tako okrogli ročaj pritrdite na gred. (Sl. 22)

### Montaža rezalnega priključka

#### Namestitev ščitnika rezalnega priključka

1. Ščitnik rezalnega priključka (A) namestite na gred. (Sl. 23)

2. Nosilec (B) vstavite v in režo v ščitniku rezalnega priključka.
3. Vijak (C) namestite skozi odprtino na nosilcu ščitnika rezalnega priključka.

#### Namestitev kosilne glave

1. Ščitnik rezalnega priključka (A) mora biti nameščen na izdelek. Glejte *Namestitev ščitnika rezalnega priključka na strani 303*. (Sl. 24)
2. Pogonski disk (C) mora biti nameščen na pogonsko gred (D).
3. Zvezdasti ključ (C) vstavite v odprtino, da zaklenete gred.
4. Kosilno glavo (B) namestite na pogonsko gred.
5. Kosilno glavo obrnite v nasprotni smeri vrtenja urinih kazalcev in jo tako zategnite na pogonsko gred. (Sl. 25)
6. Odstranite zvezdasti ključ.

# Delovanje

## Uvod



**OPOZORILO:** Pred uporabo izdelka morate prebrati in razumeti poglavje o varnosti.

## Gorivo

Ta izdelek ima dvotaktni motor.



**POZOR:** Če uporabite neustrezno vrsto goriva, lahko poškodujete motor. Uporabite mešanico bencina in olja za dvotaktni motorje.

## Predhodno zmešano gorivo

- Za najboljše delovanje in daljšo življenjsko dobo motorja uporabljajte kakovostno predhodno zmešano gorivo z alkilatno Husqvarna. V gorivu je manj škodljivih kemikalij v primerjavi z običajnim gorivom, kar zmanjšuje količino škodljivih izpušnih plinov. Po zgorevanju tega goriva je količina ostankov manjša, zaradi česar so deli motorja čistejši.

## Mešanje goriva

### Bencin



**POZOR:** Ne uporabljajte bencina, ki ima oktansko število nižje od 90 RON (87 AKI). Izdelek se lahko tako poškoduje.



**POZOR:** Ne uporabljajte bencina, ki ima koncentracijo etanola (E10) višjo od 10 %. Izdelek se lahko tako poškoduje.

- Vedno uporabljajte nov neosvinčeni bencin z oktanskim številom, nižjim od 90 RON (87 AKI), in s koncentracijo etanola, nižjo od 10 % (E10).
- Če izdelek pogosto uporabljate pri visokem številu vrtljajev motorja, uporabljajte bencin z višjim oktanskim številom.

### Olje za dvotaktni motorje

- Za čim boljše rezultate in zmogljivost uporabite olje za dvotaktni motorje Husqvarna.
- Če olje za dvotaktni motorje Husqvarna ni na voljo, lahko uporabite kakovostno olje za dvotaktni motorje z zračnim hlajenjem. Za izbiro ustreznega olja se obrnite na servisnega zastopnika.



**POZOR:** Ne uporabljajte olja za vodno hlajene izvenkrmne dvotaktni motorje.

Ne uporabljajte olja za štiristaktni motorje.

## Mešanica bencina in olja za dvotaktni motorje

Bencin, liter	Olje za dvotaktni motorje, liter
	<b>2 % (50 : 1)</b>
5	0,10
10	0,20
15	0,30
20	0,40



**POZOR:** Pri mešanju manjših količin goriva lahko manjša odstopanja močnejše vplivajo na razmerje mešanice. Natančno izmerite količino olja in tako ustvarite pravilno mešanico.

(Sl. 26)

1. Dolijte polovico bencina v čisto posodo za gorivo.
2. Dodajte celotno količino olja.
3. Pretresite mešanico goriva.
4. V posodo dodajte še preostalo količino bencina.
5. Temeljito pretresite mešanico goriva.



**POZOR:** Naenkrat ne pripravite mešanice goriva za več kot en mesec.

## Dolivanje goriva

- Vedno uporabljajte posodo za gorivo z ventilom proti prelivanju.
- Če so na posodi ostanki goriva, posodo očistite in počakajte, da se posuši.
- Zagotovite, da je območje okrog pokrovčka rezervoarja čisto.
- Preden mešanico goriva nalijete v rezervoar za gorivo, posodo za gorivo pretresite.

## Utekanje

- Prvih 10 ur delovanja ne uporabljajte polnega plina dlje časa brez obremenitve.



## Zagon in zaustavitev

### Pregled pred zagonom

1. Izdelku ne sme manjkati noben kos, ta ne sme biti poškodovan, nepritrjen ali obrabljen.
2. Maticе, vijaki in stojni vijaki morajo biti čvrsto priviti.
3. Kosilna glava ne sme biti poškodovana.
4. Zračni filter ne sme biti zamašen.
5. Varnostne naprave izdelka ne smejo biti pokvarjene.
6. Iz izdelka ne sme iztekati gorivo.

### Zagon hladnega motorja

1. 10-krat pritisnite membrano črpalke za gorivo. (Sl. 27)
2. Povlecite ročico čoka navzgor. (Sl. 28)
3. Z levo roko pritisnite ohišje izdelka ob tla. (Sl. 29) Ne stopajte na izdelek. Počasi povlecite ročico zaganjalne vrvice, dokler ne začutite določenega upora. Nato ročico zaganjalne vrvice močno povlecite.

**Opomba:** Med zaganjanjem motorja ne pritisčajte ročice plina.

4. Vlecite ročico zaganjalne vrvice, dokler se motor ne zažene oziroma skoraj zažene (največ trije potegi). Ko motor zaženete ali se ta skoraj zažene, ročico čoka potisnite navzdol. Vlecite, dokler se motor ne zažene. Po zagonu počakajte 60 sekund in nato pritisnite ročico plina.



**POZOR:** Zaganjalne vrvice ne vlecite, dokler se ne ustavi. Ko je zaganjalna vrvica popolnoma iztegnjena, je ne izpustite. Zaganjalno vrvico počasi spustite. Če teh navodil ne upoštevate, se lahko motor poškoduje.

### Zagon toplega motorja

1. 10-krat pritisnite membrano črpalke za gorivo.
2. Povlecite zaganjalno vrvico, dokler se motor ne zažene.

### Zagon izdelka, ko je gorivo prevroč

Če se izdelek ne zažene, je lahko za to krivo prevroč gorivo.

**Opomba:** Vedno uporabite novo gorivo in v toplem vremenu skrajšajte čas delovanja.

1. Postavite izdelek na hladno in v senco.
2. Počakajte vsaj 20 minut, da se izdelek ohladi.
3. V obdobju 10–15 sekund večkrat pritisnite membrano črpalke za gorivo.
4. Upoštevajte postopek za zagon hladnega motorja. Glejte *Zagon hladnega motorja na strani 305*.

## Zaustavitev

- Za zaustavitev motorja pritisnite izklopno stikalo. (Sl. 30)

**Opomba:** Izklopno stikalo se samodejno vrne v začetni položaj.

## Uporaba obrezovalnika trave



**POZOR:** Po vsaki uporabi morate motor upočasniti na hitrost prostega teka. Če motor dlje časa deluje pri polnem plinu brez obremenitve, se lahko motor poškoduje.

**Opomba:** Ko namestite novo kosilno nitko, očistite pokrov kosilne glave, da preprečite tresljaje. Preglejte druge dele kosilne glave in jih po potrebi očistite.

## Obrezovanje trave

1. Kosilno glavo držite tik nad tlemi pod kotom. Kosilne nitke ne potiskajte v travo. (Sl. 31)
2. Skrajšajte kosilno nitko za 10–12 cm/4–4,75 in.
3. Znižajte št. vrt. motorja, da ne poškodujete rastlin.
4. Ko obrezujete travo v bližini predmetov, uporabljajte 80 % plina. (Sl. 32)

## Košenje trave

1. Pri košnji naj bo kosilna nitka vedno vzporedna s tlemi. (Sl. 33)
2. Kosilne glave ne potiskajte ob tla. To lahko povzroči poškodbe tal in izdelka.
3. Kosilna glava se ne sme konstantno dotikati tal, saj se lahko poškoduje.
4. Ko izdelek med košnjo premikate levo in desno, uporabljajte polni plin. Kosilna nitka naj bo vzporedna s tlemi. (Sl. 34)

## Kosilna glava

- Kosilno nitko tesno in enakomerno navijte okrog bobna, da zmanjšate tresljaje.
- Uporabljajte samo odobrene kosilne glave in kosilne nitke. Glejte *Dodatna oprema na strani 309*.
- Kosilna nitka naj bo ustrezne dolžine. Daljša kosilna nitka porabi več moči motorja kot krajša kosilna nitka.
- Prepričajte se, da rezilo na varovalu rezalnega priključka ni poškodovano.
- Kosilno nitko dva dni namakajte v vodi, preden jo namestite na izdelek. Tako podaljšate življenjsko dobo kosilne nitke.

## Zamenjava kosilne nitke

- (Sl. 35)
- (Sl. 36)
- (Sl. 37)
- (Sl. 38)

## Vzdrževanje

### Uvod



**OPOZORILO:** Pred izvajanjem vzdrževalnih del morate prebrati in razumeti poglavje o varnosti.

Za servisiranje in popravila na izdelku posebno usposabljanje ni potrebno. Zagotavljamo, da vam bodo na voljo strokovna popravila in servisiranje. Če vaš prodajalec ni pooblaščen serviser, ga povprašajte, kje je naslednja najbližja pooblaščen servisna delavnica.

### Urnik vzdrževanja

#### Tedenska vzdrževalna opravila

- Očistite zunanje površine.
- Prepričajte se, da se rezalni priključek v prostem teku ne vrti. Glejte *Prilaganje hitrosti prostega teka na strani 306*.
- Preverite količino masti v kotnem prenosu. Glejte *Polnjenje kotnega prenosa z mastjo na strani 307*.

#### Mesečna vzdrževalna opravila

- Ročica zaganjalne vrvice in zaganjalna vrvica ne smeta biti poškodovana.

#### Letno vzdrževanje

- Preglejte svečko. Glejte *Pregled svečke na strani 306*
- Očistite zunanje površine uplinjača in bližnjih območij.
- Očistite hladilni sistem.
- Preglejte lovilnik isker. Glejte *Vzdrževalna dela na lovilniku isker na strani 306*.
- Preglejte filter goriva.
- Cev za gorivo ne sme biti poškodovana.
- Kabli in priključki izdelka ne smejo biti poškodovani.

### Prilaganje hitrosti prostega teka

- Pred prilaganjem hitrosti prostega teka zagotovite, da je zračni filter čist in da je nameščen pokrov zračnega filtra.
  - Hitrost prostega teka prilagodite s T-vijakom za prilagoditev prostega teka, ki nosi oznako "T".
  - Hitrost prostega teka je nastavljena pravilno, ko motor deluje enakomerno v vsakem položaju. Hitrost prostega teka mora biti nižja od hitrosti, pri kateri se rezalni priključek začne vrteti.
1. Vijak za prilaganje obračajte v smeri urinoga kazalca, dokler se rezalni priključek ne začne vrteti. (Sl. 43)

2. Vijak za prilaganje obračajte v nasprotni smeri vrtenja urinih kazalcev, dokler se rezalni priključek ne ustavi.

### Vzdrževalna dela na lovilniku isker

Mrežico lovilnika isker očistite z žično krtačo. (Sl. 44)

### Čiščenje hladilnega sistema

S krtačo očistite dele hladilnega sistema.

(Sl. 45)

### Pregled svečke



**POZOR:** Uporabite priporočeno svečko. Nadomestna svečka naj bo iste vrste kot priložena svečka proizvajalca. Če uporabite neustrezno svečko, se lahko izdelek poškoduje.

1. Preglejte svečko v naslednjih primerih:
  - a) če je moč motorja nizka,
  - b) če se pojavijo težave pri zagonu motorja,
  - c) če motor pri hitrosti prostega teka ne deluje pravilno.
2. Če se pojavijo težave pri zagonu ali delovanju motorja, preverite, ali so se na svečki nabrale obloge. Tveganje za pojav oblog na elektrodah svečke lahko zmanjšate na naslednje načine:
  - a) preverite, ali je hitrost prostega teka pravilno nastavljena,
  - b) zagotovite, da je mešanica goriva ustrezna,
  - c) zagotovite, da je zračni filter čist.
3. Če je svečka umazana, jo očistite. Prepričajte se, da je razmak pri elektrodi pravi. (Sl. 46)
4. Svečko po potrebi zamenjajte.

### Vzdrževanje zračnega filtra

#### Čiščenje zračnega filtra

1. Odstranite pokrov zračnega filtra in zračni filter. (Sl. 47)
2. Zračni filter očistite s toplo milnico. Počakajte, da se zračni filter posuši, preden ga znova namestite.
3. Če je zračni filter preveč umazan, da bi ga lahko temeljito očistili, ga zamenjajte. Če je zračni filter poškodovan, ga zamenjajte.
4. Če ima izdelek penasti zračni filter, nanesite olje za zračni filter. Olje za zračni filter nanesite samo na penasti filter. Olja ne nanašajte na filter iz filca.

## Nanos olja na zračni filter



**POZOR:** Na penaste zračne filtre vedno nanašajte posebno olje za zračni filter. Ne uporabljajte drugih vrst olja.



**OPOZORILO:** Pazite, da olja ne polijete po telesu.

1. Odstranite pokrov zračnega filtra in zračni filter. (Sl. 48)
2. Zračni filter vstavite v plastično vrečko.

3. V plastično vrečko vlijte olje za zračni filter. (Sl. 49)
4. Zagotovite, da se olje enakomerno razporedi po celotnem zračnem filtru.
5. Pritisnite na zračni filter v plastični vrečki, da odstranite odvečno količino olja za zračni filter. Zračni filter vzemite iz vrečke.
6. Namestite zračni filter.

## Polnjenje kotnega prenosa z mastjo

Kotni prenos mora biti do treh četrtin napolnjen z mastjo za kotne prenose. (Sl. 50)

## Odpravljanje težav

### Motorja ni mogoče zagnati

Kontrola	Možen vzrok	Postopek
Izklopno stikalo.	Prepričajte se, da je izklopno stikalo v položaju za izklop.	Izklopno stikalo premaknite v položaj za zagon.
Zaskočne kljukice zaganjalnika.	Zaskočne kljukice zaganjalnika se ne morejo prosto premikati.	Odstranite pokrov zaganjalnika in očistite območje zaskočnih kljukic zaganjalnika. Za pomoč prosite pooblaščen servisno delavnico.
Posoda za gorivo.	Neprava vrsta goriva.	Izpraznite posodo za gorivo in jo napolnite s pravilnim gorivom.
Svečka.	Svečka je umazana ali mokra.	Poskrbite, da je svečka suha in čista.
	Razmak med elektrodama vžigalne svečke ni pravilen.	Očistite svečko. Prepričajte se, da je razmak med elektrodama pravilen. Prepričajte se, da ima svečka zaščito proti motnjam. Ustrezen razmak med elektrodama si oglejte v tehničnih podatkih.
	Svečka ni čvrsto nameščena.	Zategnite svečko.

### Motor se zažene, vendar se ponovno zaustavi

Kontrola	Možen vzrok	Postopek
Rezervoar za gorivo	Nepravilna vrsta goriva.	Izpraznite rezervoar za gorivo in ga napolnite s pravilnim gorivom.
Zračni filter	Zračni filter je zamašen.	Očistite zračni filter.

## Transport skladiščenje in odstranitev

### Prevoz in skladiščenje

- Izdelek naj se pred prevozom ali skladiščenjem ohladi.
- Pred dolgotrajnim skladiščenjem odstranite pokrov svečke.
- Med prevozom pritrdite izdelek. Prepričajte se, da se ne more prestaviti.

- Prepričajte se, da med prevozom in skladiščenjem ne obstaja nevarnost iztekanja goriva, hlapov goriva, iskric ali plamena.
- Pred dolgotrajnim skladiščenjem očistite izdelek in na njem opravite servis.

## Tehnični podatki

### Tehnični podatki

	<b>325L</b> <b>A05328CSHV</b>
<b>Motor</b>	
Gibna prostornina valja v cm <sup>3</sup>	27,6
Hitrost prostega teka, vrt/min	2800–3200
Priporočeno najvišje število vrtljajev, vrt/min	8000
Moč/najv. izhodna moč motorja, v skladu z ISO 8893, kW/KM pri vrt/min	0,9/1,2 pri 8000
Dušilnik z katalizatorjem	Da
Hitrost pogonske gredi, vrt./min.	7200
<b>Vžigalni sistem</b>	
Svečka	Husqvarna HQT-4
Razmik elektrod, mm	0,5
<b>Sistem goriva</b>	
Prostornina posode za gorivo v l/cm <sup>3</sup>	0,343/343
<b>Mere izdelka</b>	
Teža (brez rezalne opreme), kg	5,0
<b>Emisije hrupa<sup>70</sup></b>	
Raven zvočne moči, zajamčena (L <sub>WA</sub> ), dB(A)	114
Raven zvočne moči, izmerjena, dB(A)	110
<b>Nivoji hrupa<sup>71</sup></b>	

<sup>70</sup> Emisije hrupa v okolju, merjene kot moč zvoka (L<sub>WA</sub>), v skladu z direktivo ES 2000/14/ES. Navedena raven zvočne moči izdelka je bila izmerjena z originalnim rezalnim priključkom, ki dosega najvišjo raven. Razlika med zajamčeno in izmerjeno ravno zvočne moči je v tem, da zajamčena raven zvočne moči, v skladu z direktivo 2000/14/ES, vključuje tudi razpršitev izmerjenih vrednosti in razlike med različnimi izdelki istega modela.

<sup>71</sup> Podatki za ekvivalentno raven zvočnega tlaka za napravo imajo tipično statistično razpršitev (standardni odklon) v vrednosti 1 dB (A).

	<b>325L</b> <b>A05328CSHV</b>
Stopnja zvočnega tlaka pri ušesu uporabnika z nameščeno kosilno glavo, dB(A)	93
<b>Ravni vibracij<sup>72</sup></b>	
Ekvivalentna raven vibracij (ahv, eq) z nameščeno kosilno glavo, levi ročaj, m/s <sup>2</sup>	4,2
Ekvivalentna raven vibracij (ahv, eq) z nameščeno kosilno glavo, desni ročaj, m/s <sup>2</sup>	6,1

---

## Dodatna oprema

---

### Pribor

Odobren pribor	Vrsta	Ščitnik rezalnega priključka
Os z navojem	M10L	
Kosilna glava	T35, Ø 2,4 mm	588 54 37-01

<sup>72</sup> Zabeleženi podatki za ekvivalentno raven vibracij imajo tipično statistično razpršitev (standardni odklon) 1 m/s<sup>2</sup>.

---

## Izjava ES o skladnosti

---

### Vsebina izjave ES o skladnosti

Pri Husqvarna AB, SE 561 82 Huskvarna, ŠVEDSKA, na lastno odgovornost izjavljamo, da je predstavljeni izdelek:

Opis	Bencinski obrezovalnik trave/motorna kosa
Znamka	Husqvarna
Platforma/vrsta/model	Platforma A05328CSHV, natančneje model 325L.
Serija	Serijske številke od letnika 2018 dalje.

v celoti skladen z naslednjimi direktivami in uredbami EU:

Direktiva/uredba	Opis
2006/42/ES	o strojih
2014/30/EU	o elektromagnetni združljivosti
2000/14/ES	o zunanjem hrupu
2011/65/EU	"o omejevanju uporabe nekaterih nevarnih snovi"

Usklajeni standardi in/ali tehnične specifikacije v veljavi: EN ISO 12100, EN ISO 11806-1, CISPR 12, ISO 14982, EN 50581:2012.

V skladu z direktivo 2000/14/ES, priloga V, so določene ravni zvoka navedene v poglavju s tehničnimi podatki v tem priročniku in v podpisani izjavi ES o skladnosti.

TÜV Rheinland N.A. je v imenu družbe Husqvarna AB opravil prostovoljen tipski pregled in sestavil dokument Certifikat o skladnosti z direktivo Sveta ES 2006/42/ES o strojih.

Ta certifikat, kot je naveden v podpisani izjavi ES o skladnosti, velja za vse proizvodne lokacije in države porekla, navedene na izdelku.

Dobavljeni bencinski obrezovalniki trave oziroma motorne kose so enaki primerku, na katerem je bil opravljen pregled.

---

## Sadržaj

---

Uvod.....	311	Rešavanje problema.....	319
Bezbednost.....	312	Transport, skladištenje i odlaganje.....	320
Sklapanje.....	315	Tehnički podaci.....	320
Rukovanje.....	316	Oprema.....	321
Održavanje.....	318	EZ deklaracija o usaglašenosti.....	322

---

## Uvod

---

### Korisničko uputstvo

Ovo korisničko uputstvo je originalno napisano na engleskom jeziku. Korisnička uputstva na drugim jezicima su prevodi sa engleskog jezika.

### Namena

Proizvod se koristiti sa trimi glavom za košenje trave. Nemojte koristiti proizvod za druge zadatke osim košenja trave i čišćenja trave.

### Pregled proizvoda

(Sl. 1)

1. Trimi glava
2. Poklopac za sipanje maziva
3. Menjač ugla
4. Štitnik priključka za košenje
5. Osovina
6. Loop ručica
7. Prekidač gasa
8. Prekidač za zaustavljanje
9. Blokada prekidača gasa
10. Kapica za svećice, svećica
11. Kućište startera
12. Ručica uzeta startera
13. Rezervoar za gorivo
14. Poklopac filtera za vazduh
15. Pumpa za vazduh
16. Kontrola čoka
17. Upravljački zahvatnik
18. Korisničko uputstvo
19. Zvezdasti ključ

### Simboli na proizvodu

- (Sl. 2) **UPOZORENJE!** Ovaj proizvod je opasan. Ako se proizvod ne koristi na ispravan način i pažljivo može doći do telesnih povreda ili smrti rukovaoca ili prisutnih osoba. Da bi se sprečile telesne povrede rukovaoca ili prisutnih osoba, pročitajte i pridržavajte se

**Napomena:** Državni propisi mogu da definišu ograničenja pri radu proizvoda.

---

- (Sl. 3) Pre korišćenja pažljivo pročitajte korisničko uputstvo i budite sigurni da razumete njegov sadržaj.
- (Sl. 4) Koristite odobrenu zaštitu za uši. Koristite odobrenu zaštitu za oči.
- (Sl. 5) Proizvod može prouzrokovati izbacivanje predmeta, što može rezultirati telesnom povredom.
- (Sl. 6) Maksimalna brzina izlazne osovine.
- (Sl. 7) Održavajte minimalno rastojanje od 15 m / 50 stopa od osoba i životinja tokom rada proizvoda.
- (Sl. 8) Koristite samo fleksibilnu trimi nit
- (Sl. 9) Nemojte koristiti metalne elemente za sečenje
- (Sl. 10) Strelice prikazuju ograničenja za položaj ručice.
- (Sl. 11) Pumpa za vazduh.
- (Sl. 12) Čok.
- (Sl. 13) Sipanje goriva.
- (Sl. 14) Emisije buke u životnoj sredini prema direktivi Evropske zajednice. Emisije

proizvoda su naznačene u poglavlju Tehnički podaci i na nalepnici.

(Sl. 15) Proizvod je usaglašen sa važećim EZ direktivama.

(Sl. 16) Proizvod je usaglašen sa važećim EAC direktivama.

Pločica tipa prikazuje serijski broj. **yyyy** je godina proizvodnje, **ww** je sedmica proizvodnje **xxxx** je redni broj.

yyyywwxxxx

**Napomena:** Drugi simboli/oznake na proizvodu odnose se na zahteve za sertifikaciju za ostale komercijalne oblasti.

## Odgovornost za proizvod

Kako je izloženo u zakonima o odgovornosti za proizvode, mi nismo odgovorni za oštećenja prouzrokovana našim proizvodom ako:

- proizvod je popravljen na pogrešan način.
- proizvod je popravljen korišćenjem delova koji nisu napravljeni ili odobreni od strane proizvođača.
- proizvod ima opremu koja ne potiče ili nije odobrena od strane proizvođača.
- proizvod nije popravljen u ovlašćenom servisnom centru ili od strane ovlašćenog stručnjaka.

## EU V



**UPOZORENJE:** Neovlašćene prepravke motora poništavaju EU tip odobrenja za ovaj proizvod.

## Bezbednost

### Bezbednosne definicije

Upozorenja, mere opreza i napomene se koriste da ukažu na naročito važne delove korisničkog uputstva.



**UPOZORENJE:** Koristi se ako, usled nepoštovanja uputstava, postoji rizik od nastanka telesnih povreda ili smrti kod rukovaoca ili prisutnih osoba.



**OPREZ:** Koristi se ako, usled nepoštovanja uputstava, postoji rizik od nastanka oštećenja na proizvodu, drugim materijalima ili susednim oblastima.

**Napomena:** Koristi se za pružanje više informacija koje su neophodne u datoj situaciji.

### Bezbednost vibracija

Ovaj se proizvod primenjuje samo za povremeni rad. Kontinuirani ili redovan rad sa proizvodom može da prouzrokuje Rejnoov fenomen ili ekvivalentne medicinske probleme koji proističu iz izloženosti vibracijama. Pregledajte stanje šaka i prstiju ako kontinuirano ili redovno rukujete proizvodom. Ako na vašim šakama ili prstima postoje promene boje, imate bolove, peckanje ili utrnulost u šakama ili prstima, prekinite rad i odmah se obratite lekaru.

### Opšta bezbednosna uputstva



**UPOZORENJE:** Pročitajte upozoravajuća uputstva koja slede pre korišćenja proizvoda.

- Koristite proizvod na ispravan način. Telesna povreda ili smrt su mogući rezultat neispravnog korišćenja. Koristite proizvod samo za zadatke navedene u ovom uputstvu. Nemojte koristiti proizvod za druge zadatke.
- Pratite instrukcije navedene u ovom uputstvu. Pratite bezbednosne simbole i bezbednosna uputstva. Ako rukovalac ne prati uputstva i simbole, oštećenje, telesna povreda ili smrt su mogući rezultat.
- Nemojte baciti ovo uputstvo. Koristite uputstva kako biste sklopili, rukovali i održavali proizvod u dobrom stanju. Koristite uputstva za ispravno montiranje dodatka i opreme. Koristite isključivo odobrene dodatke i opremu.
- Nemojte koristiti oštećeni proizvod. Pridržavajte se šeme održavanja. Vršite samo one radove održavanja za koje pronađete instrukcije u ovom uputstvu. Ovlašćeni servisni centar mora izvršiti sve druge radove održavanja.
- Ovo uputstvo ne može sadržavati sve situacije koje se mogu pojaviti prilikom korišćenja proizvoda. Budite pažljivi i koristite zdrav razum. Nemojte rukovati proizvodom ili vršiti održavanje ako niste sigurni u pogledu određene situacije. Obratite se stručnjaku za proizvod, prodavcu, servisnom zastupniku ili ovlašćenom servisnom centru kako biste dobili više informacija.



- Iskopčajte kabl svečice pre nego što sklopite proizvod, uskladištite ga ili izvršite održavanje.
- Nemojte koristiti proizvod ako je izmenjen od inicijalnih specifikacija. Nemojte menjati deo na proizvodu bez odobrenja od strane proizvođača. Koristite samo delove koji su odobreni od strane proizvođača. Telesna povreda ili smrt su mogući rezultat nepravilnog održavanja.
- Nemojte udisati isparenja iz motora. Dugotrajno udisanje izduvnih gasova motora je opasno za zdravlje.
- Nemojte pokretati proizvod u zatvorenom prostoru ili blizu zapaljivih materijala. Izduvni gasovi su vrući i mogu imati varnicu koja može potpaliti požar. Nedovoljan protok vazduha može izazvati telesnu povredu ili smrt usled gušenja ili prisustva ugljenmonoksida.
- Kada koristite ovaj proizvod, motor stvara elektromagnetno polje. Elektromagnetno polje može izazvati oštećenje medicinskih implantata. Posavetujte se sa svojim lekarom i proizvođačem medicinskog implantata pre nego što počnete da rukujete ovim proizvodom.
- Nemojte dozvoliti da dete rukuje proizvodom. Ne dozvolite neobučenim osobama da rukuju proizvodom.
- Pobrinite se da uvek nadzirete osobu sa smanjenim fizičkim ili mentalnim sposobnostima koja koristi proizvod. Odgovorna odrasla osoba mora biti prisutna sve vreme.
- Proizvod čuvajte na mestu gde deca i neovlašćene osobe nemaju pristup.
- Proizvod može da izbacuje predmete i tako izazove telesne povrede. Pridržavajte se bezbednosnih uputstava kako biste smanjili rizik od telesne povrede ili smrti.
- Nemojte se udaljavati od proizvoda kada motor radi.
- Rukovalac proizvoda je odgovoran u slučaju ako dođe do nesreće.
- Uverite se da delovi nisu oštećeni pre nego što koristite proizvod.
- Uverite se da ste udaljeni najmanje 15 m (50 stopa) od drugih osoba ili životinja pre nego što koristite proizvod. Uverite se da osobe u okolnom području znaju da ćete koristiti proizvod.
- Pogledajte nacionalne ili lokalne zakone. Oni mogu sprečavati ili umanjiti načine za rad proizvoda u određenim slučajevima.
- Ne koristite proizvod ako ste iscrpljeni ili pod uticajem alkohola, droge ili lekova. Oni mogu uticati na vaš vid, budnost, koordinaciju ili prosuđivanje.
- Koristite odobrene zaštitne rukavice.
- Pobrinite se da sklopite poklopac i osovину na ispravan način pre pokretanja motora.

## Bezbednosna uputstva za rad

- Uverite se da je proizvod u potpunosti sklopljen pre nego što počnete da ga koristite.
- Pre pokretanja, pomerite proizvod 3 m (10 stopa) od položaja gde ste punili rezervoar za gorivo. Položite proizvod na ravnu površinu. Vodite računa da priključak za košenje ne dodiruje tlo ili druge predmete.
- Proizvod može prouzrokovati izbacivanje predmeta što može rezultirati povredom očiju. Uvek koristite odobrenu zaštitu za oči prilikom rada sa proizvodom.
- Budite oprezni, dete se može približiti proizvodu bez vašeg znanja tokom rada.
- Nemojte raditi sa proizvodom ako se osobe nalaze u radnom području. Zaustavite proizvod ako osoba uđe u radno područje.
- Pobrinite se da uvek imate kontrolu nad proizvodom.
- Nemojte koristiti proizvod ako ne postoji mogućnost da primite pomoć ako dođe do nesreće. Uvek se pobrinite da druge osobe znaju da ćete raditi sa proizvodom pre nego što počnete da koristite proizvod.
- Nemojte se okretati dok držite proizvod pre nego što se uverite da nema osoba ili životinja u bezbednom području.
- Uklonite sav neželjeni materijal iz radnog područja pre početka rada. Ako priključak za košenje udari o predmet, predmet može biti izbačen i na taj način izazvati telesnu povredu ili oštećenje. Neželjeni materijal se može namotati oko priključka za košenje i prouzrokovati štetu.
- Nemojte koristiti proizvod tokom lošeg vremena (magla, kiša, jaki vetrovi, rizik od udara groma ili drugi vremenski uslovi). Opasni uslovi (kao što su klizave površine) mogu se pojaviti usled lošeg vremena.
- Uverite se da se možete slobodno kretati i raditi u stabilnom položaju. (Sl. 17)
- Uverite se da nema opasnosti od pada prilikom korišćenja proizvoda. Nemojte se naginjati kada radite sa proizvodom.
- Uvek držite proizvod sa obe ruke. Držite proizvod sa desne strane tela. (Sl. 18)
- Radite sa proizvodom tako da vam je priključak za košenje ispod struka.
- Ako je kontrola čoka u položaju čoka prilikom pokretanja motora, priključak za košenje će početi da se okreće.
- Nemojte dodirivati menjač ugla nakon zaustavljanja motora. Menjač ugla je vruć nakon zaustavljanja motora. Vruće površine mogu da izazovu telesnu povredu.

## Bezbednosna uputstva za sklapanje



**UPOZORENJE:** Pročitajte upozoravajuća uputstva koja slede pre korišćenja proizvoda.

- Uklonite kapicu sa svečice pre sklapanja proizvoda.

- Zaustavite motor pre nego što pomerite proizvod.
- Nemojte spuštati proizvod kada motor radi.
- Pre uklanjanja neželjenih materijala sa proizvoda, zaustavite motor i sačekajte da se priključak za košenje zaustavi. Sačekajte da se priključak za košenje zaustavi pre nego što vi ili osoba koja vam pomaže u radu uklonite isečeni materijal.

## Lična zaštitna oprema



**UPOZORENJE:** Pročitajte upozoravajuća uputstva koja slede pre korišćenja proizvoda.

- Uvek koristite odgovarajuću ličnu zaštitnu opremu kada radite sa proizvodom. Lična zaštitna oprema na poništava rizik od telesne povrede. Lična zaštitna oprema umanjuje stepen telesne povrede u slučaju pojave nesreće.
- Uvek koristite odobrenu zaštitu za oči tokom rada sa proizvodom.
- Nemojte raditi sa proizvodom dok ste bosonogi ili u otvorenoj obući. Uvek nosite neklizajuće i čvrste cizme.
- Uvek nosite duge pantalone od čvrstog materijala.
- Ako je neophodno, koristite odobrene zaštitne rukavice.
- Nosite zaštitnu kacigu ako postoji mogućnost da vam predmeti padnu na glavu.
- Uvek koristite odobrenu zaštitu za uši tokom rada sa proizvodom. Izloženost buci tokom dužeg vremenskog perioda može dovesti do gubitka sluha izazvanog bukom.
- Vodite računa da vam u blizini bude komplet za prvu pomoć.

## Bezbednosni uređaji na proizvodu



**UPOZORENJE:** Pročitajte upozoravajuća uputstva koja slede pre korišćenja proizvoda.

- Nemojte koristiti proizvod na kojem su oštećeni bezbednosni uređaji.
- Redovno proveravajte bezbednosne uređaje. Pogledajte *Pregled proizvoda na stranici 311*.
- Ako su bezbednosni uređaji neispravni, obratite se Husqvarna prodavcu.

## Blokada prekidača gasa

Blokada prekidača gasa blokira prekidač gasa. (Sl. 19)

Pritisnite blokadu prekidača gasa (A) da biste oslobodili prekidač gasa (B). Kada otpustite ručicu, blokada prekidača gasa i prekidač gasa se vraćaju u početne položaje.

1. Uverite se da je prekidač gasa (B) blokiran u praznom hodu kada otpustite blokadu prekidača gasa (A).

2. Pritisnite blokadu prekidača gasa (A) i uverite se da se vraća u početni položaj kada je otpustite.
3. Pritisnite prekidač gasa (B) i uverite se da se vraća u početni položaj kada ga otpustite.

Pokrenite motor, a zatim dajte puni gas. Otpustite prekidač gasa i proverite da li se priključak za košenje zaustavi. Ako se priključak za košenje okreće dok je gas u položaju praznog hoda, pregledajte zavrtanj za podešavanje praznog hoda karburatora.

## Prekidač za zaustavljanje

Pokrenite motor. Uverite se da se motor zaustavio nakon što ste pomerili prekidač za zaustavljanje u položaj za zaustavljanje.

(Sl. 20)

## Štitnik priključka za košenje

Štitnik priključka za košenje sprečava da nefiksirani predmeti budu izbačeni u smeru rukovaoca.

(Sl. 21)

Pregledajte štitnik priključka za košenje da biste videli ima li oštećenja i zamenite ga ako je oštećen. Koristite samo odobreni štitnik za priključak za košenje.

## Prigušivač

- Nemojte koristiti motor sa oštećenim prigušivačem. Oštećeni prigušivač povećava nivo buke i rizik od požara. Neka vam pri ruci bude aparat za gašenje požara.
- Redovno proveravajte da je prigušivač pričvršćen na proizvod.
- Nemojte dodirivati motor ili prigušivač dok motor radi. Nemojte dodirivati motor ili prigušivač neko vreme nakon zaustavljanja motora. Vruće površine mogu da izazovu telesnu povredu.
- Vruć prigušivač može da izazove požar. Budite naročito pažljivi ako koristite proizvod blizu zapaljivih tečnosti ili isparenja.
- Nemojte dodirivati delove prigušivača ako je prigušivač oštećen. Delovi mogu da sadrže izvesne kancerogene hemikalije.

## Priključak za košenje



**UPOZORENJE:** Pročitajte upozoravajuća uputstva koja slede pre korišćenja proizvoda.

- Vršite redovno održavanje. Neka ovlašćeni servisni centar redovno pregleda priključak za košenje kako bi izvršili podešavanja ili popravke.
  - Time se povećava učinak priključka za košenje.
  - Time se produžava radni vek priključka za košenje.
  - Time se smanjuje rizik od nesreća.

- Koristite samo odobreni štitnik priključka za košenje. Za više informacija, pogledajte *Oprema na stranici 321*.
- Nemojte da koristite oštećeni priključak za košenje.

## Bezbednost oko goriva



**UPOZORENJE:** Pročitajte upozoravajuća uputstva koja slede pre korišćenja proizvoda.

- Nemojte mešati gorivo u zatvorenom prostoru ili blizu izvora toplote.
- Nemojte pokretati proizvod ako na njemu postoje tragovi goriva ili motornog ulja. Uklonite neželjeno gorivo/ulje i sačekajte da se proizvod osuši. Uklonite neželjeno gorivo sa proizvoda.
- Ako prospete gorivo na odeću, odmah je presvucite.
- Nemojte dozvoliti da gorivo dospe na vaše telo, ono može izazvati telesnu povredu. Ako gorivo dospe na vaše telo, uklonite ga pomoću sapuna i vode.
- Nemojte pokretati motor ako prospete ulje ili gorivo na proizvod ili vaše telo.
- Nemojte pokretati proizvod ako postoji curenje iz motora. Redovno proveravajte da li postoji curenje iz motora.
- Budite oprezni pri rukovanju gorivom. Gorivo je zapaljivo a isparenja su eksplozivna i mogu izazvati telesne povrede ili smrt.
- Nemojte udisati isparenja goriva, to može izazvati telesnu povredu. Pobrinite se da ima dovoljno protoka vazduha.
- Nemojte pušiti u blizini goriva ili motora.
- Nemojte stavljati vruće predmete blizu goriva ili motora.
- Nemojte dolivati gorivo kada motor radi.
- Uverite se da je motor hladan pre dopunjavanja goriva.
- Pre dopunjavanja goriva, lagano otvorite poklopac rezervoara za gorivo i pažljivo otpustite pritisak.
- Nemojte dolivati gorivo u motor u zatvorenom prostoru. Nedovoljan protok vazduha može izazvati

telesnu povredu ili smrt usled gušenja ili prisustva ugljen-monoksida.

- Pažljivo zategnite poklopac rezervoara za gorivo ili može doći do požara.
- Pomerite proizvod najmanje 3 m (10 stopa) od položaja gde ste punili rezervoar pre pokretanja.
- Nemojte sipati previše goriva u rezervoar za gorivo.
- Pobrinite se da ne može doći do curenja kada pomerite proizvod ili kantu za gorivo.
- Nemojte stavljati proizvod ili kantu za gorivo na mesto gde postoji otvoreni plamen, varnice ili pilot gorionik. Uverite se da u skladišnom prostoru nema otvorenog plamena.
- Koristite samo odobrene kante za gorivo prilikom prenošenja ili skladištenja goriva.
- Ispraznite rezervoar za gorivo pre dugotrajnog skladištenja. Pridržavajte se lokalnog zakona u pogledu mesta odlaganja goriva.
- Očistite proizvod pre dugotrajnog skladištenja.
- Skinite kabl svećice pre skladištenja proizvoda kako biste osigurali da se motor ne može slučajno pokrenuti.

## Bezbednosna uputstva za održavanje



**UPOZORENJE:** Pročitajte upozoravajuća uputstva koja slede pre održavanja proizvoda.

- Održavajte samo održavanje i servisiranje opisano u priručniku za rukovaoca. Ostale popravke i servisiranje treba da obavlja stručni serviser.
- Redovno vršite bezbednosne provere, održavanje i servisiranje opisano u ovom priručniku. Redovno održavanje produžava životni vek proizvoda i smanjuje opasnost od nezgoda. Uputstva potražite u *Šema održavanja na stranici 318*.
- Ako se ne prođu bezbednosne provere opisane u ovom priručniku kad izvršite održavanje, obratite se serviseru. Garantujemo da su za vaš proizvod dostupne profesionalne popravke i servisiranje.

## Sklapanje

### Uvod



**UPOZORENJE:** Pre sklapanja proizvoda, morate pročitati i razumeti poglavlje o bezbednosti.



**UPOZORENJE:** Uklonite kabl svećice sa svećice pre sklapanja proizvoda.

### Sklapanje loop ručice

1. Postavite loop ručicu između strelica na osovini.
2. Pritegnite vijak da biste pričvrstili loop ručicu za osovinu. (Sl. 22)

### Sklapanje priključka za košenje

#### Sklapanje štitnika priključka za košenje

1. Postavite štitnik priključka za košenje (A) na osovinu. (Sl. 23)
2. Postavite nosač (B) u preoz na štitniku priključka za košenje.

3. Pričvrstite vijak (C) kroz otvor na nosaču za štitnik priključka za košenje.

## Pričvršćivanje trimi glave

1. Uverite se da je štitnik priključka za košenje (A) pričvršćen za proizvod. Pogledajte *Sklopavanje štitnika priključka za košenje na stranici 315.* (Sl. 24)
2. Uverite se da je upravljački zahvatnik (C) pričvršćen na izlaznu osovinu (D).

3. Stavite zvezdasti ključ (B) u otvor tako da se osovinu osigura.
4. Postavite trimi glavu (E) na izlaznu osovinu.
5. Okrenite trimi glavu u smeru suprotnom od kretanja kazaljke da biste je pritegli za izlaznu osovinu. (Sl. 25)
6. Uklonite zvezdasti ključ.

# Rukovanje

## Uvod



**UPOZORENJE:** Pre rada sa proizvodom, morate pročitati i razumeti poglavlje o bezbednosti.

## Gorivo

Ovaj proizvod ima dvotaktni motor.



**OPREZ:** Neodgovarajući tip goriva može da oštetiti motor. Koristite mešavinu benzina i ulja za dvotaktni motor.

## Unapred smešano gorivo

- Koristite Husqvarna unapred smešano alkilatno gorivo dobrog kvaliteta za najbolje radne karakteristike i produžetak radnog veka motora. To gorivo sadrži manje štetnih hemikalija od običnog goriva i tako smanjuje štetne izduvne gasove. Količina ostataka posle sagorevanja je niža u ovom gorivu, pa komponente motora ostaju čistije.

## Mešanje goriva

### Benzin



**OPREZ:** Nemojte koristiti benzin sa oktanskim brojem manjim od 90 RON (87 AKI) i sa manje od 10% koncentracije etanola (E10). To može prouzrokovati oštećenje proizvoda.



**OPREZ:** Nemojte koristiti benzin sa više od 10% koncentracije etanola (E10). To može prouzrokovati oštećenje proizvoda.

- Uvek koristite sveži bezolovni benzin sa minimalnim oktanskim brojem od 90 RON (87 AKI) i sa manje od 10% koncentracije etanola (E10).
- Koristite benzin sa višim oktanskim brojem ako često koristite proizvod pri kontinuirano visokoj brzini motora.

### Ulje za dvotaktne motore

- Najbolje rezultate daje Husqvarna ulje za dvotaktne motore.

- Ako Husqvarna ulje za dvotaktne motore nije dostupno, koristite drugo ulje za dvotaktne motore dobrog kvaliteta za motore sa vazдушnim hlađenjem. Obratite se dileru za izbor odgovarajućeg ulja.



**OPREZ:** Nemojte koristiti ulje za dvotaktne motore za vanbrodske motore sa vodenim hlađenjem, koje se takođe naziva ulje za vanbrodske motore. Nemojte koristiti ulje za četvorotaktne motore.

### Pravljenje mešavine benzina i ulja za dvotaktne motore

Benzin, litara	Ulje za dvotaktne motore, litara
	<b>2% (50:1)</b>
5	0,10
10	0,20
15	0,30
20	0,40



**OPREZ:** Male greške mogu znatno da utiču na odnos u mešavini kad mešate male količine goriva. Pažljivo izmerite količinu ulja koja će se koristiti za mešavinu da biste dobili tačan odnos u mešavini.

(Sl. 26)

1. Dospite pola količine goriva u čist sud za gorivo.
2. Dodajte punu količinu ulja.
3. Promešajte mešavinu goriva.
4. Dodajte preostalu količinu goriva u sud za gorivo.
5. Pažljivo promešajte mešavinu goriva.



**OPREZ:** Ne pravite mešavinu za duže od 1 mesec unapred.

## Dolivanje goriva

- Uvek koristite kantu za gorivo sa ventilom protiv prosipanja.
- Ako se na kanti nalaze ostaci goriva, uklonite neželjeno gorivo i sačekajte da se kanta osuši.
- Uverite se da je područje oko poklopca rezervoara za gorivo čisto.
- Promućkajte kantu za gorivo pre dolivanja mešavine goriva u rezervoar za gorivo.

## Razrađivanje

- Tokom prvih 10 sati rada, ne dodajte pun gas na prazno tokom dužih perioda.

## Pokretanje i zaustavljanje

### Pregled pre pokretanja

1. Uverite se da proizvodu ne fale delovi i da nema delova koji su oštećeni, labavi ili pohabani.
2. Uverite se da su navrtke, zavrtnji i vijci pritegnuti.
3. Uverite se da trimi glava nije oštećena.
4. Uverite se da filter za vazduh nije zapušen.
5. Uverite se da bezbednosni uređaji na proizvodu nisu neispravni.
6. Uverite se da na proizvodu nema curenja goriva.

### Pokretanje hladnog motora

1. Pritisnite pumpu za vazduh 10 puta. (Sl. 27)
2. Povucite regulator čoka nagore. (Sl. 28)
3. Držite proizvod na tlu levom rukom. (Sl. 29) Nemojte stajati na proizvod. Lagano povucite ručicu užeta startera dok ne osetite otpor. Zatim snažno povucite ručicu užeta startera.

**Napomena:** Nemojte pritiskati prekidač gasa prilikom pokretanja motora.

4. Nastavite da povlačite ručicu užeta startera dok se motor ne pokrene ili pokušajte da se pokrene (maks. 3 puta). Ako se motor pokrene ili pokušate da se pokrene, gumite kontrolu čoka nadole. Nastavite da povlačite dok se motor ne pokrene. Sačekajte 60 sekundi nakon pokretanja pre nego što pritisnete prekidač gasa.



**OPREZ:** Nemojte povlačiti užu startera dok se ne zaustavi. Nemojte puštati užu startera kada je potpuno izvučeno. Lagano otpustite užu startera. Ako se ne budete pridržavali ovih uputstava to može imati za posledicu oštećenje motora.

### Pokretanje toplog motora

1. Pritisnite pumpu za vazduh 10 puta.
2. Povlačite užu startera sve dok se motor ne pokrene.

## Pokretanje motora sa pretoplim gorivom

Ako se proizvod ne pokrene, možda je gorivo pregrejano.

**Napomena:** Uvek koristite novo gorivo i radite kraće po toplom vremenu.

1. Stavite proizvod na hladno mesto dalje od direktnog sunčevog svetla.
2. Sačekajte bar 20 minuta da se proizvod ohladi.
3. Pritiskajte pumpicu za vazduh ponovo i ponovo 10–15 sekundi.
4. Pratite postupak pokretanja hladnog motora. Pogledajte *Pokretanje hladnog motora na stranici 317*.

### Zaustavljanje

- Pritisnite prekidač za zaustavljanje da biste zaustavili motor. (Sl. 30)

**Napomena:** Prekidač za zaustavljanje se automatski vraća u početni položaj.

## Rad sa trimerom za travu



**OPREZ:** Pobrnite se da se motor uspori u brzinu praznog hoda nakon svakog rada. Dug period rada pri punom gasu bez opterećenja na motoru može izazvati oštećenje motora.

**Napomena:** Očistite poklopac trimi glave kada pričvrstite novu trimi nit kako biste sprečili vibracije. Pregledajte ostale delove trimi glave i očistite ih ako je potrebno.

### Skraćivanje trave

1. Držite glavu trimera odmah iznad tla i pod uglom. Nemojte pritiskati trimi nit u travu. (Sl. 31)
2. Smanjite dužinu trimi niti za 10–12 cm / 4–4,75 inča.
3. Smanjite brzinu motora da biste smanjili rizik od oštećenja biljaka.
4. Koristite 80% gasa kada kosite travu blizu predmeta. (Sl. 32)

### Košenje trave

1. Uverite se da je trimi nit paralelna sa tlom prilikom košenja. (Sl. 33)
2. Nemojte pritiskati trimi glavu o tlo. Može doći do uništenja tla i oštećenja proizvoda.
3. Nemojte dozvoliti da trimi glava neprestano dodiruje tlo, to može prouzrokovati oštećenje trimi glave.
4. Koristite pun gas kada pomerate proizvod od ugla do ugla dok kosite travu. Pobrnite se da je trimi nit paralelna sa tlom. (Sl. 34)

## Trimi glava za travu

- Pobrinite se da čvrsto i ravnomerno namotate trimi nit za travu oko bubnja kako biste smanjili vibracije.
- Koristite samo odobrene trimi glave i trimi niti za travu. Pogledajte *Oprema na stranici 321*.
- Koristite ispravnu dužinu trimi niti za travu. Dugačka trimi nit koristi više snage motora u odnosu na kratku trimi nit.
- Proverite da li je nož koji se nalazi na štitniku priključka za košenje neoštećen.
- Potopite trimi nit u vodu tokom 2 dana pre nego što trimi nit pričvrstite na proizvod. Time se produžava radni vek trimi niti.

## Zamena trimi niti

- (Sl. 35)
- (Sl. 36)
- (Sl. 37)
- (Sl. 38)
- (Sl. 39)
- (Sl. 40)
- (Sl. 41)
- (Sl. 42)

---

# Održavanje

---

## Uvod



**UPOZORENJE:** Pre održavanja, morate pročitati i razumeti poglavlje o bezbednosti.

Za sva servisiranja i popravke proizvoda, potrebna je specijalna obuka. Garantujemo dostupnost stručnih popravki i servisiranja. Ako vaš prodavac nije servisni agent, obratite mu se za informacije o najbližem servisnom agentu.

## Šema održavanja

### Nedeljno održavanje

- Očistite spoljne površine.
- Uverite se da se priključak za košenje ne pomera pri brzini praznog hoda. Pogledajte *Podešavanje brzine praznog hoda na stranici 318*.
- Proverite nivo maziva u menjaču ugla. Pogledajte *Nanošenje maziva u menjač ugla na stranici 319*.

### Mesečno održavanje

- Uverite se da ručica užeta startera i uže startera nisu oštećeni.

### Godišnje održavanje

- Pregledajte svećicu. Pogledajte *Pregled svećice na stranici 318*
- Očistite spoljne površine karburatora i okolnog područja.
- Očistite sistem za hlađenje.
- Pregledajte hvatač varnica. Pogledajte *Održavanje hvatača varnica na stranici 318*.
- Pregledajte filter za gorivo.
- Uverite se da crevo za gorivo nije oštećeno.
- Uverite se da kablovi i veze na proizvodu nisu oštećeni.

## Podešavanje brzine praznog hoda

- Uverite se da je filter za vazduh čist i da je poklopac filtera za vazduh pričvršćen pre podešavanja brzine praznog hoda.
- Podesite brzinu praznog hoda pomoću zavrtnja za podešavanje T koji je označen oznakom „T”.
- Brzina praznog hoda je ispravna kada motor ravnomerno radi u svim položajima. Brzina praznog hoda treba da bude znatno manja od brzine pri pokretanju priključka za košenje.

1. Okrenite zavrtnj za podešavanje u smeru kazaljke na satu sve dok priključak za košenje ne počne da se okreće. (Sl. 43)
2. Okrenite zavrtnj za podešavanje praznog hoda suprotno kretanju kazaljke na satu sve dok se priključak za košenje ne zaustavi.

## Održavanje hvatača varnica

Očistite hvatač varnica pomoću žičane četke. (Sl. 44)

## Čišćenje sistema za hlađenje

Očistite delove sistema za hlađenje pomoću četke. (Sl. 45)

## Pregled svećice



**OPREZ:** Koristite preporučenu svećicu. Pobrinite se da je zamenjena svećica istog tipa kao ona isporučena od proizvođača. Neodgovarajuća svećica može izazvati oštećenje proizvoda.

1. Pregledajte svećicu kada:
  - a) motor ima malu snagu.
  - b) motor se teško pokreće.
  - c) motor ne radi ispravno u brzini praznog hoda.
2. Ako se motor teško pokreće ili radi sa poteškoćama, pregledajte da li na svećici postoje neželjeni

materijali. Da biste smanjili rizik od gomilanja neželjenog materijala na elektrodama svećice:

- a) uverite se da je brzina praznog hoda pravilno podešena.
  - b) uverite se da je mešavina goriva ispravna.
  - c) uverite se da je filter za vazduh čist.
3. Očistite svećicu ako je zaprljana. Proverite da li je ispravan zazor elektrode. (Sl. 46)
  4. Zamenite svećicu po potrebi.

## Održavanje filtera za vazduh

### Čišćenje filtera za vazduh

1. Skinite poklopac filtera za vazduh i uklonite filter za vazduh. (Sl. 47)
2. Očistite filter za vazduh toplom sapunjavom vodom. Uverite se da je filter za vazduh suv pre nego što ga ponovo postavite.
3. Zamenite filter za vazduh ako je previše zaprljan i ne može se propisno očistiti. Uvek zamenite oštećeni filter za vazduh.
4. Ako proizvod ima penasti filter za vazduh, nanesite ulje za filter za vazduh. Nanesite ulje za filter za vazduh samo na penasti filter. Nemojte nanositi ulje na filcani filter.

### Nanošenje ulja na filter za vazduh



**OPREZ:** Uvek koristite specijalno ulje za filter za vazduh na penastim filterima za vazduh. Nemojte koristiti druge tipove ulja.



**UPOZORENJE:** Vodite računa da vam ulje ne dospe na telo.

1. Skinite poklopac filtera za vazduh i uklonite filter za vazduh. (Sl. 48)
2. Stavite filter za vazduh u plastičnu kesicu.
3. Stavite ulje za filter za vazduh u plastičnu kesicu. (Sl. 49)
4. Pritisnite plastičnu kesicu kako biste osigurali da se ulje ravnomerno raspodeli preko filtera za vazduh.
5. Pritisnite filter za vazduh, dok je u kesici, kako biste uklonili nepotrebno ulje za filter za vazduh. Izvadite filter za vazduh iz kesice.
6. Postavite filter za vazduh.

### Nanošenje maziva u menjač ugla

Uverite se da je menjač ugla napunjen mazivom u količini od 3/4.

(Sl. 50)

## Rešavanje problema

### Motor ne može da se pokrene

Provera	Mogući uzrok	Postupak
Prekidač za zaustavljanje.	Prekidač za zaustavljanje je u položaju za zaustavljanje.	Postavite prekidač za zaustavljanje u položaj za pokretanje.
Startne kopče.	Startne kopče ne mogu da se slobodno kreću.	Uklonite poklopac startera i očistite oblast oko startnih kopči. Neka vam ovlašćeni servisni agent pomogne.
Rezervoar za gorivo.	Neispravan tip goriva.	Ispraznite rezervoar za gorivo i dopunite ispravnim gorivom.

Provera	Mogući uzrok	Postupak
Svećica.	Svećica je zaprljana ili vlažna.	Postarajte se da svećica bude suva i čista.
	Zazor između elektroda svećice nije odgovarajući.	Očistite svećicu. Uverite se da je zazor između elektroda odgovarajući. Postarajte se da svećica ima prigušivač.
	Svećica je labava.	Informacije o tačnom rastojanju elektroda potražite u tehničkim podacima. Zategnite svećicu.

## Motor se pokreće, ali se opet zaustavlja

Provera	Mogući uzrok	Postupak
Rezervoar za gorivo	Neispravi tip goriva.	Ispraznite rezervoar za gorivo i dopunite ispravnim gorivom.
Filter za vazduh	Filter za vazduh je začepljen.	Očistite filter za vazduh.

## Transport, skladištenje i odlaganje

### Transport i skladištenje

- Sačekajte da se proizvod ohladi pre transporta ili skladištenja.
- Uklonite kapicu svećice pre dugotrajnog skladištenja.
- Pričvrstite proizvod tokom transporta. Uverite se da proizvod ne može da se pomera.

- Uverite se da nema opasnosti od curenja goriva, isparenja goriva, varnica ili plamena tokom transporta i skladištenja.
- Očistite i servisirajte proizvod pre dugotrajnog skladištenja.

## Tehnički podaci

### Tehnički podaci

	<b>325L</b>
	<b>A05328CSHV</b>
<b>Motor</b>	
Zapremina cilindra, cm <sup>3</sup>	27,6
Brzina praznog hoda, o/min	2800 – 3200
Preporučena maksimalna brzina, o/min	8000
Snaga / Maks. izlazna snaga motora, prema ISO 8893, kW/hp na o/min	0,9/1,2 na 8000 o/min
Prigušivač sa katalizatorom	Da
Brzina izlazne osovine, o/min	7200
<b>Sistem paljenja</b>	



	<b>325L</b> <b>A05328CSHV</b>
Svećica	Husqvarna HQT-4
Zazor elektroda, mm	0,5
<b>Sistem za gorivo</b>	
Kapacitet rezervoara za gorivo, l/cm <sup>3</sup>	0,343/343
<b>Dimenzije proizvoda</b>	
Težina (bez opreme za košenje), kg	5,0
<b>Emisija buke<sup>73</sup></b>	
Nivo zvučne snage, garantovano (L <sub>WA</sub> ), dB (A)	114
Nivo zvučne snage, mereno, dB (A)	110
<b>Nivoi zvuka<sup>74</sup></b>	
Nivo zvučnog pritiska kod uha rukovaoca, opremljeno trimi glavom, dB(A)	93
<b>Nivoi vibracije<sup>75</sup></b>	
Ekvivalentni nivo vibracije (ahv, eq), opremljeno trimi glavom, leva ručica, m/s <sup>2</sup>	4,2
Ekvivalentni nivo vibracije (ahv, eq), opremljeno trimi glavom, desna ručica, m/s <sup>2</sup>	6,1

## Oprema

### Oprema

Odobrena oprema	Tip	Štitnik priključka za košenje
Osovina sa navojem	M10L	
Trimi glava	T35, Ø 2,4 mm	588 54 37-01

<sup>73</sup> Emisije buke u životnoj sredini merene kao zvučna snaga (L<sub>WA</sub>) u skladu sa direktivom 2000/14/ EZ. Izveštajni nivo zvučne snage za proizvod meren je sa originalnim priključkom za košenje koji daje najviši nivo. Razlika između garantovanog i izmerenog nivoa zvučne snage je da garantovana zvučna snaga takođe obuhvata raspršenje rezultata merenja i razlike između različitih proizvoda istog modela u skladu sa Direktivom 2000/14/EZ.

<sup>74</sup> Prijavljeni podaci za ekvivalentni nivo zvučnog pritiska za proizvod uključuju tipično statističko raspršenje (standardno odstupanje) od 1 dB (A).

<sup>75</sup> Podaci iz izveštaja za ekvivalentni nivo vibracija imaju tipičnu statističku disperziju (standardno odstupanje) od 1 m/s<sup>2</sup>.

## EZ deklaracija o usaglašenosti

### Sadržaj EZ deklaracije o usaglašenosti

Mi, kompanija Husqvarna AB, SE 561 82 Huskvarna, ŠVEDSKA, izjavljujemo pod sopstvenom odgovornošću da je predstavljeni proizvod:

Opis	<b>Benzinski trimer za travu/rezač žbunja</b>
Marka	Husqvarna
Platforma/tip/model	Platforma A05328CSHV, reprezentativni model 325L.
Seriya	Serijski broj od 2018. i nadalje.

u potpunosti usaglašen sa sledećim EU direktivama i propisima:

Direktiva/propis	Opis
2006/42/EZ	„koji se odnose na mašine“
2014/30/EU	„koji se odnose na elektromagnetsku kompatibilnost“
2000/14/EZ	„koji se odnose na buku u otvorenom prostoru“
2011/65/EU	„koji se odnose na ograničenje upotrebe određenih opasnih supstanci“

Primenjeni harmonizovani standardi i/ili tehničke specifikacije su sledeće: EN ISO 12100, EN ISO 11806-1, CISPR 12, ISO 14982, EN 50581:2012.

U skladu sa Direktivom 2000/14/EZ, Aneks V, deklarirane vrednosti jačine zvuka su izložene u odeljku o tehničkim podacima u ovom uputstvu i u potpisanoj EZ Deklaraciji o usaglašenosti.

TÜV Rheinland N.A. je izvršio volonterski pregled u ime kompanije Husqvarna AB, te je pružio sertifikat o usaglašenosti sa Direktivom Saveta Evrope 2006/42/EZ za mašineriju.

Serifikat, kako je obezbeđen na potpisanoj EZ Deklaraciji o usaglašenosti, primenjuje se na sve proizvodne lokacije i zemlje porekla, kako je navedeno na proizvodu.

Isporučeni benzinski trimer za travu/rezač žbunja usaglašen je sa primerkom koji je prošao pregled.

---

## Innehåll

---

Introduktion.....	323	Felsökning.....	331
Säkerhet.....	324	Transport, förvaring och kassering.....	331
Montering.....	327	Tekniska data.....	332
Drift.....	328	Tillbehör.....	333
Underhåll.....	330	EG-försäkran om överensstämmelse.....	334

---

## Introduktion

---

### Bruksanvisning

Det ursprungliga språket i denna bruksanvisning är engelska. Bruksanvisningar på andra språk är översättningar från engelska.

### Avsedd användning

Produkten används med ett trimmerhuvud för att klippa gräs. Använd inte produkten till andra uppgifter än grästrimming och gräsröjning.

### Produktöversikt

(Fig. 1)

1. Trimmerhuvud
2. Påfyllning av smörjmedel
3. Vinkelväxel
4. Trimmerhuvudets skydd
5. Riggör
6. Loophandtag
7. Gasreglage
8. Stoppkontakt
9. Dödmansgrepp
10. Tändhatt, tändstift
11. Startapparatus
12. Startnörets handtag
13. Bränsletank
14. Luftfilterlock
15. Bränslepumpblåsa
16. Chokereglage
17. Medbringare
18. Bruksanvisning
19. Stjärnnyckel

### Symboler på produkten

(Fig. 2) **WARNING!** Denna produkt är farlig. Skador eller dödsfall kan inträffa för användaren eller människor runt omkring om produkten inte används försiktigt och korrekt. För att förhindra att användaren eller människor runt omkring skadas ska du läsa och följa

**Notera:** Nationella regler kan begränsa användningen av produkten.

---

alla säkerhetsinstruktioner i bruksanvisningen.

(Fig. 3) Läs igenom bruksanvisningen noggrant och se till att du förstår instruktionerna innan användning.

(Fig. 4) Använd godkända hörselskydd. Använd godkänt ögonskydd.

(Fig. 5) Produkten kan göra att föremål slungas ut, vilket kan orsaka skador.

(Fig. 6) Maximalt varvtal för utgående axel.

(Fig. 7) Håll ett avstånd på minst 15 m till personer och djur när du använder produkten.

(Fig. 8) Använd endast flexibel trimmerlina

(Fig. 9) Använd inte skärdelar av metall

(Fig. 10) Pilarna visar gränserna för handtagets position.

(Fig. 11) Bränslepumpblåsa.

(Fig. 12) Choke.

(Fig. 13) Bränslepåfyllning.

(Fig. 14) Emission av buller till omgivningen enligt EU:s direktiv. Produktens emission anges i avsnittet Tekniska data och på etiketten.

(Fig. 15) Produkten överensstämmer med gällande EG-direktiv.

(Fig. 16) Produkten överensstämmer med gällande EAC-direktiv.

Typskylten visar serienumret.

yyyy är produktionssäret, ww är produktionsveckan och xxxx är löpnumret.

yyyywwxxxx

**Notera:** Övriga symboler/dekaler på produkten avser specifika krav för certifieringar på andra kommersiella marknader.

## Produktansvar

Enligt lagstiftningen för produktansvar ansvarar vi inte för skador som vår produkt orsakar om:

- produkten repareras felaktigt.
- produkten repareras med delar som inte kommer från tillverkaren eller inte har godkänts av tillverkaren.
- produkten har ett tillbehör som inte kommer från tillverkaren eller inte har godkänts av tillverkaren.
- produkten inte repareras vid ett godkänt servicecenter eller av en godkänd person.

## EU V



**WARNING:** Manipulering av motorn upphäver EG-typgodkännandet för den här produkten.

## Säkerhet

### Säkerhetsdefinitioner

Varningar, försiktighetsåtgärder och anmärkningar används för att betona speciellt viktiga delar i bruksanvisningen.



**WARNING:** Används om det finns risk för skador eller dödsfall för föraren eller kringstående om anvisningarna i bruksanvisningen inte följs.



**OBSERVERA:** Används om det finns risk för skada på produkten, annat material eller det angränsande området om anvisningarna i bruksanvisningen inte följs.

**Notera:** Används för att ge mer information som är nödvändig i en viss situation.

### Vibrationssäkerhet

Denna produkt ska endast användas sporadiskt. Kontinuerlig eller återkommande drift av produkten kan orsaka "vita fingrar" eller motsvarande medicinska problem av vibrationer. Undersök dina händer och fingrar om du använder produkten kontinuerligt eller regelbundet. Om fingrar och händer har missfärgning har smärta, rysning längs ryggraden varje gång någon nämner häckklippning, eller är numb, avbryta arbetet och tala med en läkare omedelbart.

### Allmänna säkerhetsanvisningar



**WARNING:** Läs varningsinstruktionerna nedan innan du använder produkten.

- Använd produkten på rätt sätt. Skador eller dödsfall är ett möjligt resultat av felaktig användning. Använd endast produkten för arbetsuppgifterna som finns i denna bruksanvisning. Använd inte produkten till andra uppgifter.
- Följ instruktionerna i denna bruksanvisning. Följ säkerhetsymbolerna och säkerhetsinstruktionerna. Om användaren inte följer instruktionerna och symbolerna är skador eller dödsfall ett möjligt resultat.
- Spara den här bruksanvisningen. Använd instruktionerna för att sätta ihop, använda och förvara din produkt i gott skick. Använd instruktionerna för korrekt installation av tillbehör och extrautrustning. Använd endast godkända tillbehör och extrautrustning.
- Använd inte en skadad produkt. Följ underhållsschemat. Utför endast det underhållsarbete som du hittar instruktioner om i den här bruksanvisningen. Godkända servicecenter måste göra allt annat underhållsarbete.
- Den här bruksanvisningen kan inte inkludera alla situationer som kan uppstå när du använder produkten. Var försiktig och använd sunt förnuft. Använd inte produkten eller utför underhåll på produkten om du inte är trygg med situationen. Tala med en produktexpert, din återförsäljare, din serviceverkstad eller ett godkänt servicecenter för att få information.
- Koppla ur tändstiftskabeln innan du monterar produkten, ställer undan produkten för förvaring eller utför underhåll.
- Använd inte produkten om den ändras från dess första specifikation. Byt inte ut en del av produkten utan tillverkarens godkännande. Använd endast delar som är godkända av tillverkaren. Skador eller dödsfall är ett möjligt resultat av felaktigt underhåll.

- Undvik att andas in rök från motorn. Långvarig inandning av motorns avgaser utgör en hälsorisk.
- Starta inte produkten inomhus eller nära brandfarligt material. Avgaserna är heta och kan medföra gnistor som kan orsaka brand. Otillräckligt luftflöde kan orsaka skador eller dödsfall på grund av kvävning eller kolmonoxidförgiftning.
- När du använder denna produkt skapar motorn ett elektromagnetiskt fält. Det elektromagnetiska fältet kan orsaka skador på medicinska implantat. Tala med din läkare och tillverkaren av eventuella medicinska implantat innan du använder produkten.
- Låt inte barn använda produkten. Låt inte personer utan kännedom om instruktionerna använda produkten.
- Se till att du alltid övervakar en person med nedsatt fysisk eller mental kapacitet som använder produkten. En vuxen person måste vara närvarande hela tiden.
- Läs in produkten på en plats där barn och obehöriga personer inte har åtkomst.
- Produkten kan skjuta ut föremål och orsaka skador. Följ säkerhetsinstruktionerna för att minska risken för personskador eller dödsfall.
- Lämna inte produkten när motorn är på.
- Användaren av produkten är ansvarig om en olycka inträffar.
- Kontrollera att delarna inte är skadade innan du använder produkten.
- Se till att du står minst 15 m från andra personer eller djur innan du använder produkten. Se till att personer i närheten vet att du kommer att använda produkten.
- Följ nationella eller lokala lagar. De kan förhindra eller minska produktens funktion under vissa förhållanden.
- Använd inte produkten om du är trött eller om du är påverkad av alkohol, droger eller läkemedel. Din syn, ditt omdöme eller kroppskontroll kan ha påverkats.
- Innan du startar bör du flytta produkten 3 m från den plats där du fyllde på bränsletanken. Placera produkten på en plan yta. Se till att skärutrustningen inte vidrör marken eller andra föremål.
- Produkten kan orsaka att föremål skjuts ut, vilket kan orsaka skador på ögonen. Använd alltid godkänt ögonskydd när du använder produkten.
- Var försiktig, ett barn kan närma sig produkten utan din vetskap under användningen.
- Använd inte produkten om det finns personer i arbetsområdet. Stoppa produkten om en person går in i arbetsområdet.
- Se till att du alltid har kontroll över produkten.
- Använd inte produkten om du inte kan få hjälp om en olycka inträffar. Se alltid till att andra vet att du kommer att använda produkten innan du börjar använda produkten.
- Vänd dig inte om med produkten innan du kontrollerat att inga människor eller djur finns i säkerhetsområdet.
- Ta bort allt oönskat material från arbetsområdet innan du börjar. Om skärutrustningen träffar ett objekt kan objektet skjutas ut och orsaka personskada eller skador. Oönskat material kan lindas runt skärutrustningen och orsaka skador.
- Använd inte produkten i dåligt väder (dimma, regn, hård vind, risk för blixtnedslag eller andra väderförhållanden). Farliga situationer (t.ex. hala ytor) kan uppstå på grund av dåligt väder.
- Se till att du kan röra dig fritt och arbeta i en stabil position.

(Fig. 17)

- Se till att du inte kan falla när du använder produkten. Luta dig inte när du använder produkten.
- Håll alltid produkten med båda händerna. Håll produkten på höger sida av kroppen.

(Fig. 18)

- Använda produkten med skärutrustning under midjehöjd.
- Om chokereglaget är i chokeläge när motorn startar börjar skärutrustningen rotera.
- Rör inte vid vinkelväxeln när motorn stannat. Vinkelväxeln är varm efter det att motorn stannat. Heta ytor kan orsaka skador.
- Stanna motorn innan du flyttar produkten.
- Lagg inte ned produkten om motorn är på.
- Innan du tar bort oönskat material från produkten måste du stänga av motorn och vänta tills skärutrustningen stannar. Låt skärutrustningen stanna innan du avlägsnar skärmaterialet.

## Personlig skyddsutrustning



**WARNING:** Läs varningsinstruktionerna nedan innan du använder produkten.

- Avlägsna tändhatten från tändstiftet innan du monterar produkten.
- Använd godkända skyddshandskar.
- Se till att du har monterat kåpan och riggröret korrekt innan du startar motorn.

## Säkerhetsinstruktioner för drift

- Kontrollera att produkten är helt monterad innan du använder den.



**WARNING:** Läs varningsinstruktionerna nedan innan du använder produkten.

- Använd alltid rätt personlig skyddsutrustning när du använder produkten. Den personliga

skyddsutrustningen eliminerar inte risken för skador. Den personliga skyddsutrustningen minskar skadans allvarlighetsgrad om en olycka inträffar.

- Använd alltid godkänt ögonskydd när du använder produkten.
- Använd inte produkten barfota eller med öppna skor. Använd alltid kraftiga halksäkra kängor.
- Använd tjockare långbyxor.
- Om det är nödvändigt bör du använda godkända skyddshandskar.
- Använd hjälm om det finns en risk att föremål faller ned på huvudet.
- Använd alltid godkänt hörselskydd när du använder produkten. Oljud under en längre period kan leda till bullerorsakad hörselnedsättning.
- Se till att du har första hjälpen i närheten.

## Säkerhetsanordningar på produkten



**WARNING:** Läs varningsinstruktionerna nedan innan du använder produkten.

- Använd inte en produkt med defekta säkerhetsanordningar.
- Kontrollera säkerhetsanordningarna regelbundet. Se *Produktöversikt på sida 323*.
- Om säkerhetsanordningarna är defekta ska du prata med en Husqvarna-serviceverkstad.

## Dödmansgrepp

Gasreglagets låsning låser gasreglaget. (Fig. 19)

Tryck på gasreglagets låsning (A) för att lossa gasreglaget (B). När du släpper handtaget går gasreglagets låsning och gasreglaget tillbaka till sina ursprungslägen.

1. Se till att gasreglaget (B) är låst på tomgång när du släpper gasreglagets låsning (A).
2. Tryck på gasreglagets låsning (A) och kontrollera att den går tillbaka till sitt ursprungliga läge när du släpper den.
3. Tryck på gasreglaget (B) och kontrollera att det går tillbaka till sitt ursprungliga läge när du släpper det.

Starta motorn och ge sedan fullgas. Släpp gasreglaget och titta om skärutrustningen stannar. Om skärutrustningen roterar med gasreglaget i tomgångsläge undersöker du tomgångsjusterskruven på förgasaren.

## Stoppkontakt

Starta motorn. Kontrollera att motorn stängs av när stoppreglaget flyttas till stoppläget.

(Fig. 20)

## Trimmerhuvudets skydd

Skärutrustningens skydd förhindrar att lösa föremål skjuts ut mot användaren.

(Fig. 21)

Undersök om skärutrustningens skydd är skadat och byt ut det om så är fallet. Använd endast godkänt skydd för skärutrustningen.

## Ljuddämpare

- Använd inte en motor med defekt ljuddämpare. En defekt ljuddämpare ökar ljudnivån och brandrisken. Ha en brandsläckare i närheten.
- Kontrollera regelbundet att ljuddämparen sitter fast på produkten.
- Rör inte motorn eller ljuddämparen när motorn är på. Rör inte motorn eller ljuddämparen förän en stund efter att motorn stannat. Heta ytor kan orsaka skador.
- En varm ljuddämpare kan orsaka brand. Var försiktig om du använder produkten nära brandfarliga vätskor eller ångor.
- Rör inte ljuddämparens delar om ljuddämparen är skadad. Delarna kan innehålla vissa cancerframkallande kemikalier.

## Skärutrustning



**WARNING:** Läs varningsinstruktionerna nedan innan du använder produkten.

- Utför regelbundet underhåll. Låt ett godkänt servicecenter regelbundet undersöka skärutrustningen för att göra justeringar eller reparationer.
  - Skärutrustningens prestanda ökar.
  - Skärutrustningens livslängd ökar.
  - Risken för olyckor minskar.
- Använd endast ett godkänt skydd till skärutrustningen. Mer information finns i *Tillbehör på sida 333*.
- Använd inte en skadad skärutrustning.

## Bränslesäkerhet



**WARNING:** Läs varningsinstruktionerna nedan innan du använder produkten.

- Blanda inte bränsle inomhus eller nära en värmekälla.
- Starta inte produkten om det finns bränsle eller motorolja på produkten. Ta bort det oönskade bränslet/oljan och låt produkten torka. Ta bort oönskat bränsle från produkten.
- Om du spillt bränsle på kläderna skall dessa bytas omedelbart.

- Se till att inte få bränsle på kroppen, det kan orsaka personskadorna. Om du får bränsle på kroppen använder du tvål och vatten för att ta bort bränslet.
- Starta inte motorn om du spiller olja eller bränsle på produkten eller på kroppen.
- Starta inte produkten om motorn har en läcka. Undersök regelbundet om motorn läcker.
- Var försiktig med bränsle. Bränsle är brandfarligt och ångorna är explosiva och kan orsaka skador eller dödsfall.
- Undvik att andas in bränsleångor då det kan orsaka personskadorna. Se till att det finns tillräckligt luftflöde.
- Rök inte i närheten av bränslet eller motorn.
- Placera inga varma föremål i närheten av bränslet eller motorn.
- Fyll inte på bränsle när motorn är på.
- Se till att motorn har svalnat innan du fyller på bränsle.
- Innan du fyller på bränsle bör du öppna bränsletanklocket långsamt och försiktigt släppa på trycket.
- Fyll inte på bränsle i motorn inomhus. Otillräckligt luftflöde kan orsaka skador eller dödsfall på grund av kvävning eller kolmonoxidförgiftning.
- Dra åt tanklocket försiktigt, annars kan brand uppstå.
- Flytta produkten minst 3 m från den plats där du fyllde på tanken innan du startar den.
- Fyll inte på med för mycket bränsle i bränsletanken.
- Kontrollera att läckage inte kan uppstå när du flyttar produkten eller bränslebehållaren.
- Placera inte produkten eller bränslebehållaren där det finns öppen eld, gnistor eller tändlågor. Se till att det inte finns någon öppen eld i förvaringsutrymmet.

- Använd endast godkända behållare när du flyttar bränslet eller ställer undan bränslet för förvaring.
- Töm bränsletanken före långtidsförvaring. Följ lokala lagar om var du kan kasta bränsle.
- Rengör produkten före långtidsförvaring.
- Ta bort tändstiftskabeln innan du ställer undan produkten för förvaring så att motorn inte oavsiktligt startar.

## Säkerhetsinstruktioner för underhåll



**WARNING:** Läs varningsinstruktionerna nedan innan du utför underhåll på produkten.

- Utför endast underhålls- och servicearbeten som beskrivs i denna bruksanvisning. Låt professionell servicepersonal utföra allt annat underhåll och alla reparationer.
- Utför säkerhetskontroller och underhålls- och serviceinstruktioner i denna bruksanvisning regelbundet. Regelbundet underhåll ökar produktens livslängd och minskar risken för olyckor. Se *Underhållsschema på sida 330* för instruktioner.
- Om säkerhetskontrollerna i denna bruksanvisning inte godkänns efter att du har utfört underhåll ska du tala med en serviceverkstad. Vi garanterar att det finns professionella reparationer och service tillgängliga för din produkt.

## Montering

### Introduktion



**WARNING:** Innan du monterar produkten måste du läsa igenom och förstå kapitlet om säkerhet.



**WARNING:** Avlägsna tändstiftskabeln från tändstiftet innan du monterar produkten.

### Så monterar du loophandtaget

1. Placera loophandtaget mellan pilarna på riggröret.
2. Dra åt bulten för att fästa loophandtaget på riggröret. (Fig. 22)

### Så monterar du skärutrustningen

#### Montera skärutrustningsskyddet

1. Lägg skärutrustningsskyddet (A) på riggröret. (Fig. 23)

2. Sätt hållaren (B) i spåret på skärutrustningsskyddet.
3. Sätt i bulten (C) genom hålet i hållaren på skärutrustningsskyddet.

#### Montera trimmerhuvudet

1. Kontrollera att skärutrustningsskyddet (A) är monterat på produkten. Se *Montera skärutrustningsskyddet på sida 327*. (Fig. 24)
2. Se till att medbringarghjulet (C) är anslutet till den utgående axeln (D).
3. För in stjärnnyckeln (B) i hålet så att riggröret låses.
4. Placera trimmerhuvudet (E) på den utgående axeln.
5. Vrid trimmerhuvudet moturs för att dra åt det mot den utgående axeln. (Fig. 25)
6. Ta bort stjärnnyckeln.

# Drift

## Introduktion



**VARNING:** Innan du använder produkten måste du läsa igenom och förstå kapitlet om säkerhet.

## Bränsle

Denna produkt har en tvåtaktsmotor.



**OBSERVERA:** Motorn kan skadas om du fyller på med fel typ av bränsle. Använd en blandning av bensen och tvåtaktsolja.

## Förblandat bränsle

- Använd förblandat alkylatbränsle från Husqvarna av bra kvalitet för bästa prestanda och förlängning av motorns livslängd. Det här bränslet innehåller mindre skadliga kemikalier jämfört med vanligt bränsle, vilket minskar de skadliga avgaserna. Mängden rester som finns kvar efter förbränning är lägre med detta bränsle, vilket håller komponenterna i motorn renare.

## Blanda bränsle

### Bensen



**OBSERVERA:** Använd inte bensen med ett oktantal lägre än 90 RON (87 AKI). Det kan orsaka skador på produkten.



**OBSERVERA:** Använd inte bensen med mer än 10 % etanol (E10). Det kan orsaka skador på produkten.

- Använd alltid ny blyfri bensen med ett oktantal på minst 90 RON (87 AKI) och med mindre än 10 % etanol (E10).
- Använd bensen med ett högre oktantal om du ofta använder produkten vid kontinuerligt högt motorvarvtal.

### Tvåtaktsolja

- För bästa resultat och funktion ska du använda tvåtaktsolja från Husqvarna.
- Om tvåtaktsolja från Husqvarna inte finns tillgänglig kan du använda en annan tvåtaktsolja av hög kvalitet för luftkylda motorer. Tala med en serviceverkstad för att välja rätt olja.



**OBSERVERA:** Använd inte tvåtaktsolja för vattenkylda utombordsmotorer, s.k. outboardoil. Använd inte olja avsedd för fyrtaktsmotorer.

## Blanda bensen och tvåtaktsolja

Bensen, liter	Tvåtaktsolja, liter
	<b>2 % (50:1)</b>
5	0,10
10	0,20
15	0,30
20	0,40



**OBSERVERA:** Små fel kan påverka blandningsförhållandet drastiskt när du blandar små mängder bränsle. Mät noga mängden olja för att se till att du får rätt blandning.

(Fig. 26)

- Fyll halva mängden bensen i en ren behållare för bränsle.
- Tillsätt all olja.
- Skaka bränsleblandningen.
- Fyll i återstående mängd bensen i behållaren.
- Skaka omsorgsfullt bränsleblandningen.



**OBSERVERA:** Blanda inte bränsle för mer än en månad i taget.

## Så tillsätter du bränsle

- Använd alltid en bränslebehållare med spillskydd.
- Om det kommer bränsle på behållaren tar du bort det oönskade bränslet och låter behållaren torka.
- Se till att området i närheten av bränsletanklocket är rent.
- Skaka bränslebehållaren innan du tillsätter bränsleblandningen i bränsletanken.

## Köra in

- Under de första tio driftstimmarna ska du inte ge fullgas utan belastning under längre perioder.

## Så startar och stoppar du

### Undersökning före start

- Se till att produkten inte har några saknade, skadade, lösa eller slitna delar.
- Se till att muttrar, skruvar och bultar är åtdragna.
- Se till att trimmerhuvudet inte är skadat.
- Se till att luftfiltret inte är igensatt.



5. Se till att produktens säkerhetsanordningar inte är defekta.
6. Se till att produkten inte har något bränsleläckage.

användning. En längre period med fullgas utan belastning på motorn kan orsaka motorskada.

## Starta kall motor

1. Tryck på bränslepumpblåsan 10 gånger. (Fig. 27)
2. Dra chokereglaget uppåt. (Fig. 28)
3. Håll motorkroppen på marken med vänster hand. (Fig. 29) Kliv inte på produkten. Dra i startsnörets handtag långsamt tills du känner ett motstånd. Dra sedan startsnörets handtag med mer kraft.

**Notera:** Dra inte i gasreglaget när du startar motorn.

4. Fortsätt dra i startsnörets handtag tills motorn startar eller försöker starta (max. tre drag). Om motorn startar eller försöker att starta trycker du ned chokereglaget. Fortsätt dra tills motorn startar. Vänta 60 sekunder efter start innan du drar i gasreglaget.



**OBSERVERA:** Dra inte i startsnöret förrän det tar stopp. Släpp inte startsnöret när det är fullt utdraget. Släpp långsamt startsnöret. Underlåtenhet att följa dessa instruktioner kan orsaka skada på motorn.

## Så startar du en varm motor

1. Tryck på bränslepumpblåsan 10 gånger.
2. Dra i startsnöret tills motorn startar.

## Start av motorn när bränslet är för varmt

Om motorsågen inte startar kan det bero på att bränslet är för varmt.

**Notera:** Använd alltid nytt bränsle och minska drifttiden i varmt väder.

1. Placera sågen på en sval plats i skugga.
2. Låt sågen svalna i minst 20 minuter.
3. Tryck på bränslepumpblåsan om och om igen i 10–15 sekunder.
4. Följ proceduren för start av kall motor. Se *Starta kall motor på sida 329*.

## Stoppa

- Tryck ned stoppreglaget för att stoppa motorn. (Fig. 30)

**Notera:** Stoppreglaget återgår automatiskt till ursprungsläget.

## Så använder du grästrimmern



**OBSERVERA:** Se till att du bromsar ner motorn till tomgångsvarvtal efter varje

**Notera:** Rengör skyddet till trimmerhuvudet när du sätter fast en ny trimmerlina för att förhindra vibrationer. Undersök andra delar av trimmerhuvudet och rengör om det behövs.

## Klippa gräset

1. Håll trimmerhuvudet strax ovanför marken och luta det. Tryck inte ned trimmerlinan i gräset. (Fig. 31)
2. Minska längden på trimmerlinan med 10–12 cm.
3. Minska motorns varvtal för att minska risken för skador på växter.
4. Använd 80 % gas när du klipper gräset nära föremål. (Fig. 32)

## Klippa gräset

1. Se till att grästrimmerlinan är parallell med marken när du klipper. (Fig. 33)
2. Tryck inte ned trimmerhuvudet mot marken. Marken och produkten kan skadas.
3. Låt inte trimmerhuvudet vidröra marken oavbrutet, det kan orsaka skador på trimmerhuvudet.
4. Använd fullgas när du flyttar produkten från sida till sida för att klippa gräset. Se till att grästrimmerlinan är parallell med marken. (Fig. 34)

## Grästrimmerhuvud

- Se till att du drar åt grästrimmerlinan hårt och jämnt runt trumman för att minska vibrationerna.
- Använd endast godkända grästrimmerhuvuden och grästrimmerlinor. Se *Tillbehör på sida 333*.
- Använd rätt längd på grästrimmerlinan. En lång grästrimmerlina förbrukar mer motoreffekt än en kort grästrimmerlina.
- Se till att kniven på skärutrustningens skydd inte är skadad.
- Blötlägg grästrimmerlinan i vatten i 2 dygn innan du sätter fast grästrimmerlinan på produkten. Detta ökar grästrimmerlinans livslängd.

## Så byter du trimmerlinan

(Fig. 35)  
(Fig. 36)  
(Fig. 37)  
(Fig. 38)  
(Fig. 39)  
(Fig. 40)  
(Fig. 41)  
(Fig. 42)

---

# Underhåll

---

## Introduktion

---



**VARNING:** Innan du utför underhåll måste du läsa och förstå kapitlet om säkerhet.

För allt service- och reparationsarbete på produkten krävs särskild utbildning. Vi garanterar att du kan få en fackmannamässig reparation och service utförd. Om din återförsäljare inte är en serviceverkstad kan du tala med dem för information om närmaste serviceverkstad.

## Underhållsschema

### Underhåll varje vecka

- Rengör utvändiga ytor.
- Se till att skärutrustningen inte rör sig vid tomgångsvarvtal. Se *Så justerar du tomgångsvarvtalet på sida 330*.
- Inspektera fettnivån i vinkelväxeln. Se *Så tillsätter du fett i vinkelväxeln på sida 331*.

### Underhåll varje månad

- Se till att startsnörets handtag och startsnöret inte är skadade.

### Årligt underhåll

- Undersök tändstiftet. Se *Så undersöker du tändstiftet på sida 330*
- Rengör utvändiga ytor på förgasaren och dess angränsande områden.
- Rengör kylsystemet.
- Undersök gnistskyddet. Se *Så utför du underhåll på gnistskyddet på sida 330*.
- Undersök bränslefilteret.
- Se till att bränsleslangen inte är skadad.
- Se till att kablar och anslutningar på produkten inte är skadade.

## Så justerar du tomgångsvarvtalet

- Se till att luftfiltret är rent och att luftfilterkåpan sitter fast innan du justerar tomgångsvarvtalet.
  - Justera tomgångsvarvtalet med justerskruven T som är märkt med "T".
  - Tomgångsvarvtalet är korrekt när motorn arbetar jämnt i alla positioner. Tomgångsvarvtalet ska vara lägre än det varvtal då skärutrustningen börjar rotera.
1. Vrid tomgångsjusterskruven medurs tills skärutrustningen börjar rotera. (Fig. 43)
  2. Vrid tomgångsjusterskruven moturs tills skärutrustningen stannar.

## Så utför du underhåll på gnistskyddet

Använd en stålborste för att rengöra gnistskyddet. (Fig. 44)

## Så rengör du kylsystemet

Rengör kylsystemets delar med en borste. (Fig. 45)

## Så undersöker du tändstiftet



**OBSERVERA:** Använd det rekommenderade tändstiftet. Se till att det nya är likadant som tillverkarens del. Ett felaktigt tändstift kan skada produkten.

1. Undersök tändstiftet när:
  - a) motorn har låg effekt,
  - b) motorn inte startar på en gång,
  - c) motorn inte fungerar korrekt på tomgång.
2. Om motorn inte startar eller fungerar som den ska bör du genomsöka tändstiftet efter oönskat material. Om du vill minska risken för oönskat material på tändstiftets elektroder:
  - a) Se till att tomgångsvarvtalet är korrekt justerat.
  - b) Se till att bränsleblandningen är korrekt.
  - c) Se till att luftfiltret är rent.
3. Rengör tändstiftet om det är smutsigt. Kontrollera att elektrodavståndet är korrekt. (Fig. 46)
4. Byt ut tändstiftet om det är nödvändigt.

## Så utför du underhåll på luftfiltret

### Rengöring av luftfiltret

1. Tag bort luftfilterkåpan och luftfiltret. (Fig. 47)
2. Rengör luftfiltret med hjälp av varmt tvålvatten. Se till att luftfiltret är torrt innan du installerar det.
3. Byt ut luftfiltret om det är för smutsigt för att rengöra helt. Byt alltid ut ett skadat luftfilter.
4. Om din produkt har ett skumluftfilter tillsätter du luftfilterolja. Applicera endast luftfilterolja på ett skumfilter. Använd inte olja på ett filter av filt.

### Så applicerar du luftfilterolja på luftfiltret



**OBSERVERA:** Använd alltid speciell luftfilterolja på skumluftfilter. Använd inga andra typer av olja.



**VARNING:** Se till att inte få olja på kroppen.

1. Tag bort luftfilterkåpan och luftfiltret. (Fig. 48)
2. Lägg luftfiltret i en plastpåse.
3. Tillsätt luftfilteroljan i plastpåsen. (Fig. 49)
4. Tryck på plastpåsen för att se till att oljan fördelas jämnt på luftfiltret.

5. Tryck på luftfiltret i påsen för att ta bort överflödiga luftfilterolja. Ta ut luftfiltret ur påsen.
6. Montera luftfiltret.

## Så tillsätter du fett i vinkelväxeln

Kontrollera att vinkelväxeln är fylld till 3/4 med vinkelväxelfett.

(Fig. 50)

## Felsökning

### Maskinen startar inte

Kontrollera	Möjlig orsak	Förfarande
Stoppkontakt.	Stoppkontakten är i stoppläget.	Ställ stoppkontakten i startläge.
Starthakar.	Starthakarna kan inte röra sig fritt.	Ta bort startmotorns kåpa och rengör runt starthakarna. Låt en godkänd serviceverkstad hjälpa dig.
Bränsletank.	Fel bränsle påfyllt.	Töm bränsletanken och fyll på med rätt bränsle.
Tändstift.	Tändstiftet är smutsigt eller vått.	Se till att tändstiftet är torrt och rent.
	Tändstiftets elektrodavstånd är felaktigt.	Rengör tändstiftet. Kontrollera att elektrodavståndet är korrekt ( ). Se till att tändstiftet har en dämpare. Se tekniska data för korrekt elektrodavstånd.
	Tändstiftet sitter löst.	Dra åt tändstiftet.

### Motorn startar men stannar igen

Kontrollera	Möjlig orsak	Förfarande
Bränsletank	Fel bränsle påfyllt.	Töm bränsletanken och fyll den med rätt bränsle.
Luftfilter	Luftfiltret är igensatt.	Rengör luftfiltret.

## Transport, förvaring och kassering

### Transport och förvaring

- Låt produkten svalna före transport eller förvaring.
- Ta bort tändhatten före långvarig förvaring.
- Sätt fast produkten under transport. Se till att den inte kan förflytta sig.

- Kontrollera att det inte finns någon risk för läckor, bränsleångor, gnistor eller flammor under transport och förvaring.
- Rengör och utför service på produkten innan långvarig förvaring.

## Tekniska data

### Tekniska data

	<b>325L</b>
	<b>A05328CSHV</b>
<b>Motor</b>	
Cylindervolym, cm <sup>3</sup>	27,6
Tomgångsvarvtal, varv/min	2 800–3 200
Rekommenderat högsta varvtal, varv/min	8 000
Effekt/max. motoreffekt enligt ISO 8893, kW/hk vid varv/min	0,9/1,2 vid 8 000
Katalysatorljuddämpare	Ja
Varvtal på utgående axel, r/min	7 200
<b>Tändsystem</b>	
Tändstift	Husqvarna HQT-4
Elektroddgap, mm	0,5
<b>Bränslesystem</b>	
Bränsletankvolym, l/cm <sup>3</sup>	0,343/343
<b>Produktens mått</b>	
Vikt (exklusive skärutrustning), kg	5,0
<b>Bulleremissioner<sup>76</sup></b>	
Ljudeffektnivå, garanterad (L <sub>WA</sub> ), dB(A)	114
Ljudeffektnivå, uppmätt, dB(A)	110
<b>Ljudnivåer<sup>77</sup></b>	
Ljudtrycksnivå vid användarens öra, utrustad med trimmerhuvud, dB(A)	93
<b>Vibrationsnivåer<sup>78</sup></b>	
Ekvivalent vibrationsnivå (ahv, ekv.), utrustad med trimmerhuvud, vänster handtag, m/s <sup>2</sup>	4,2
Ekvivalent vibrationsnivå (ahv, ekv.), utrustad med trimmerhuvud, höger handtag, m/s <sup>2</sup>	6,1

<sup>76</sup> Emission av buller till omgivningen uppmätt som ljudeffekt (L<sub>WA</sub>) enligt EG-direktiv 2000/14/EG. Rapporterad ljudeffektnivå för produkten har uppmätts med den originalskärutrustning som ger den högsta nivån. Skillnaden mellan garanterad och uppmätt ljudeffekt är att den garanterade ljudeffekten också inkluderar spridning i mätresultatet och variationen mellan olika produkter av samma modell enligt direktiv 2000/14/EG.

<sup>77</sup> Rapporterade data för ekvivalent ljudtrycksnivå för produkten har en typisk statistisk spridning (standardavvikelse) på 1 dB(A).

<sup>78</sup> Rapporterade data för ekvivalent vibrationsnivå har en typisk statistisk spridning (standardavvikelse) på 1 m/s<sup>2</sup>.

---

## Tillbehör

---

### Tillbehör

Godkända tillbehör	Typ	Trimmerhuvudets skydd
Gängad axel	M10L	
Trimmerhuvud	T35, Ø 2,4 mm	588 54 37-01

---

## EG-försäkringen om överensstämmelse

---

### Innehållet i EG-försäkringen om överensstämmelse

Husqvarna AB, SE-561 82 Huskvarna, SVERIGE, försäkras härmed på eget ansvar att den företrädda produkten:

<b>Beskrivning</b>	<b>Bensindriven grässtrimmer/buskröjare</b>
Varumärke	Husqvarna
Plattform/typ/modell	Plattform A05328CSHV, representerar modell 325L.
Parti	Serienummer daterade 2018 och framåt.

uppfyller alla krav i följande EU-direktiv och förordningar:

Direktiv/förordning	Beskrivning
2006/42/EG	"angående maskiner"
2014/30/EU	"angående elektromagnetisk kompatibilitet"
2000/14/EG	"angående buller utomhus"
2011/65/EU	"angående begränsning av användning av vissa farliga ämnen"

Följande harmoniserade standarder och/eller tekniska specifikationer tillämpas: EN ISO 12100, EN ISO 11806-1, CISPR 12, ISO 14982, EN 50581:2012.

I enlighet med direktiv 2000/14/EG, bilaga V finns ljudvärdena angivna i avsnittet tekniska data i denna handbok och i den undertecknade EU-försäkringen om överensstämmelse.

TÜV Rheinland N.A. har utfört en frivillig kontroll åt Husqvarna AB – Certifikat om överensstämmelse med Rådets direktiv 2006/42/EG om maskiner.

Certifikatet, som levereras med en undertecknad EG-försäkringen om överensstämmelse, är tillämpligt på alla tillverkningsplatser och ursprungsländer, såsom anges på produkten.

Den levererade bensindrivna grässtrimmern/buskröjaren överensstämmer med det exemplar som genomgick kontrollen.

## İçindekiler

Giriş.....	335	Sorun giderme.....	343
Güvenlik.....	336	Taşıma, depolama ve atma.....	344
Montaj.....	339	Teknik veriler.....	344
Kullanım.....	340	Aksesuarlar.....	345
Bakım.....	342	AT Uyumluluk Bildirimi.....	346

## Giriş

### Kullanım kılavuzu

Bu kullanım kılavuzunun asıl dili İngilizcedir. Diğer dillerdeki kullanım kılavuzları İngilizceden çevrilmiştir.

### Kullanım amacı

Ürün, çimleri kesmek için bir misina kafa ile birlikte kullanılır. Ürünü çim budama ve çim temizleme işleri dışında kullanmayın.

### Ürüne genel bakış

(Şek. 1)

1. Misina kafa
2. Yağ doldurma kapağı
3. Ayna dişli
4. Kesme donanımı siperliği
5. Mil
6. Yarım daire şeklindeki tutamak
7. Gaz tetiği
8. Durdurma anahtarı
9. Gaz tetiği kilidi
10. Buji kapağı, buji
11. Çalıştırıcı muhafazası
12. Çalıştırma ipi tutma yeri
13. Yakıt tankı
14. Hava filtresi kapağı
15. Yakıt pompası diyaframı haznesi
16. Jikle kontrolü
17. Çalıştırma diski
18. Kullanım kılavuzu
19. Yıldız anahtar

### Ürün üzerindeki semboller

(Şek. 2) **UYARI!** Bu ürün tehlikelidir. Ürün dikkatli ve doğru bir şekilde kullanılmazsa operatör veya yakındaki kişiler yaralanabilir veya ölebilir. Operatörün veya yakındaki kişilerin yaralanmasını önlemek için kullanım kılavuzundaki tüm güvenlik talimatlarını okuyup bunlara uyun.

**Not:** Ulusal düzenlemeler ürünün kullanımını kısıtlayabilir.

(Şek. 3) Lütfen kullanım kılavuzunu dikkatle okuyun ve kullanımdan önce talimatları anladığınızdan emin olun.

(Şek. 4) Onaylanmış kulak koruma ekipmanı kullanın. Onaylı koruyucu gözlük kullanın.

(Şek. 5) Ürün, nesne fırlatarak yaralanmaya neden olabilir.

(Şek. 6) Çıkış milinin maksimum hızı.

(Şek. 7) Ürünü kullanırken başka kişilerle ve hayvanlarla aranızda en az 15 m/50 ft mesafe bırakın.

(Şek. 8) Yalnızca esnek misina kullanın

(Şek. 9) Metal kesme elemanları kullanmayın

(Şek. 10) Oklar, tutacağın konumunun sınırlarını gösterir.

(Şek. 11) Yakıt pompası diyaframı haznesi.

(Şek. 12) Jikle.

(Şek. 13) Yakıt ikmali.

(Şek. 14) Çevreye yayılan gürültü emisyonu Avrupa Birliği Direktifi'ne uyar. Ürünün emisyonu Teknik veriler bölümünde ve etiketin üstünde belirtilmektedir.

(Şek. 15) Ürün, geçerli AT direktiflerine uygundur.

(Şek. 16) Ürün, geçerli EAC direktiflerine uygundur.

Nominal değerler plakası seri numarasını gösterir.  
yyyy üretim yılı, hh üretim haftası ve xxxx sıra numarasıdır.

yyyyhhxxxx

**Not:** Ürünün üzerindeki diğer semboller/etiketler, diğer ticari alanların sertifikalandırma gereklilikleri ile ilgilidir.

## Ürün sorumluluğu

Ürün sorumluluğu yasalarında belirtildiği üzere;

- ürünün hatalı bir şekilde onarılması,
- ürünün, üretici tarafından onaylanmayan veya üreticiden alınmayan parçalarla tamir edilmesi,
- ürünü, üreticiden alınmayan veya üretici tarafından onaylanmayan bir aksesuar bulunması,
- ve ürünün, onaylı bir servis merkezinde veya yetkili bir kurum tarafından tamir edilmemesi durumunda oluşabilecek hasarlardan sorumlu değildir.

## EU V



**UYARI:** Motorun kurcalanması bu ürünün AB tip onayını geçersiz kılar.

## Güvenlik

### Güvenlik tanımları

Kılavuzdaki önemli kısımları vurgulamak için uyarılar ve notlar kullanılmıştır.



**UYARI:** Kılavuzdaki talimatlara uyulmadığı takdirde operatör veya çevredeki kişiler için ciddi yaralanma veya ölüm tehlikesi varsa kullanılır.



**DİKKAT:** Kılavuzdaki talimatlara uyulmadığı takdirde ürünün, diğer malzemelerin veya çevrenin zarar görme riski olduğunda kullanılır.

**Not:** Belirli bir durumda bilgi verilmesi gerektiğinde kullanılır.

### Titreşim güvenliği

Bu ürün yalnızca ara sıra kullanım içindir. Ürünün aralıksız ya da düzenli olarak kullanılması titreşimden kaynaklanan "beyaz parmak" hastalığına veya benzer tıbbi sorunlara yol açabilir. Ürünü aralıksız ya da düzenli olarak kullanıyorsanız ellerinizin ve parmaklarınızın durumunu inceleyin. Ellerinizde ya da parmaklarınızda renk solması, ağrı, karıncalanma veya hissizlik varsa çalışmayı bırakın ve derhal bir doktora gidin.

### Genel güvenlik talimatları



**UYARI:** Ürünü kullanmadan önce aşağıdaki uyarı talimatlarını okuyun.

- Ürünü doğru şekilde kullanın. Yaralanma veya ölüm, hatalı kullanımın olası sonuçlarıdır. Ürünü, yalnızca

bu kılavuzda belirtilen işler için kullanın. Ürünü başka işler için kullanmayın.

- Bu kılavuzdaki talimatlara uyun. Güvenlik sembollerine ve güvenlik talimatlarına uyun. Operatörün talimatlara ve sembollere uymaması yaralanma, hasar veya ölümlere sonuçlanabilir.
- Bu kılavuzu atmayın. Ürününüzü monte etmek, çalıştırmak ve iyi durumda tutmak için talimatlara başvurun. Atışmanların ve aksesuarların doğru kurulumu için talimatlara başvurun. Yalnızca onaylanmış atışmanları ve aksesuarları kullanın.
- Hasarlı ürünü kullanmayın. Bakım takvimine uyun. Yalnızca bu kılavuzda ilgili talimatı bulduğunuz bakım çalışmalarını gerçekleştirin. Diğer tüm bakım işlerini onaylı bir servis merkezi yapmalıdır.
- Bu kılavuz, ürünü kullanırken oluşabilecek tüm durumları kapsayamaz. Dikkatli olun ve sağduyunuzu kullanın. Durumdan emin değilseniz ürünü kullanmayın veya ürün üzerinde bakım yapmayın. Bilgi almak için bir ürün uzmanına, bayinize, servis noktasına veya onaylı servis merkezine danışın.
- Ürünü monte etmeden, saklamadan veya ürün üzerinde bakım yapmadan önce buji kablosunun bağlantısını kesin.
- Orijinal özellikleri değiştirilmişse ürünü kullanmayın. Üreticinin onayı olmadan ürünün bir parçasını değiştirmeyin. Yalnızca üretici tarafından onaylanmış parçaları kullanın. Hatalı bakım çalışmaları, yaralanma veya ölümlere sonuçlanabilir.
- Motordan çıkan dumanları solumayın. Motordan çıkan egzoz dumanlarını uzun süre solumak sağlık açısından risklidir.
- Ürünü kapalı yerlerde veya yanıcı maddelerin yakınında çalıştırmayın. Egzoz dumanları sıcaktır ve bir yangına neden olabilecek kıvılcımlar içerebilir. Nefessiz kalma veya karbon monoksit nedeniyle



yeterli hava akışının olmaması yaralanmaya veya ölüme sebep olabilir.

- Bu ürünü kullandığınızda motor, elektromanyetik bir alan oluşturur. Elektromanyetik alan, tıbbi implantlara zarar verebilir. Ürünü kullanmadan önce doktorunuzla ve tıbbi implant üreticinizle iletişime geçin.
- Ürünü, bir çocuğun kullanmasına izin vermeyin. Talimatlar hakkında bilgisi olmayan birinin ürünü çalıştırmasına izin vermeyin.
- Fiziksel veya zihinsel kapasitesi düşük olan bir kişi ürünü kullanırken daima gözetim altında tutun. Sorumluluk sahibi bir yetişkin her zaman orada olmalıdır.
- Ürünü, çocukların ve onaylanmayan kişilerin ulaşamayacağı bir yere kilitleyin.
- Ürün, nesnelere fırlatarak yaralanmaya sebep olabilir. Yaralanma veya ölüm riskini azaltmak için güvenlik talimatlarına uyun.
- Motor açıkken üründen uzaklaşmayın.
- Oluşabilecek kazalardan operatör sorumludur.
- Ürünü kullanmadan önce parçaların hasarlı olmadığını kontrol edin.
- Ürünü kullanmadan önce diğer insanlardan veya hayvanlardan en az 15 m (50 ft) uzakta olduğunuzdan emin olun. Etrafınızdaki kişilerin ürünü kullanacağınıza bildiklerinden emin olun.
- Ulusal veya yerel yasalara uyun. Bazı koşullarda bu yasalar, ürünün kullanımını önleyebilir veya kısıtlayabilir.
- Ürünü yorgunken veya alkol, uyuşturucu ya da ilaç etkisi altındayken kullanmayın. Bu maddeler; görmenizi, dikkatinizi, koordinasyonunuzu ya da karar alma yetinizi etkileyebilir.

## Montaj için güvenlik talimatları



**UYARI:** Ürünü kullanmadan önce aşağıdaki uyarı talimatlarını okuyun.

- Ürünün montajını yapmadan önce buji kapağını bujiden çıkarın.
- Onaylı koruyucu eldiven kullanın.
- Motoru çalıştırmadan önce kapağı ve mili doğru şekilde monte ettiğinizden emin olun.

## Kullanım için güvenlik talimatları

- Ürünü kullanmadan önce ürünün tamamen monte edildiğinden emin olun.
- Çalıştırmadan önce ürünü, yakıt tankını doldurduğunuz konumdan 3 m (10 ft) uzağa taşıyın. Ürünü düz bir yüzeye yerleştirin. Kesme donanımının yere veya diğer cisimlere temas etmediğinden emin olun.
- Ürün, nesnelere fırlatılmasına neden olabilir; bu durum gözlere zarar verebilir. Ürünü kullanırken daima onaylı bir koruyucu gözlük takın.

- Dikkatli olun; çalışma sırasında bir çocuk siz fark etmeden ürüne yaklaşabilir.
- Çalışma alanında insanlar varsa ürünü çalıştırmayın. Çalışma alanına biri girerse ürünü durdurun.
- Her zaman ürünün kontrolünün sizde olduğundan emin olun.
- Bir kaza oluşması durumunda yardım alamayacak durumdaysanız ürünü kullanmayın. Her zaman ürünü kullanmaya başlamadan önce diğer kişilerin ürünü kullanacağınıza bildiğinden emin olun.
- Güvenlik alanında hiçbir insan veya hayvan bulunmadığından emin olmadan ürünle dönüş yapmayın.
- Çalışmaya başlamadan önce çalışma alanındaki tüm istenmeyen nesnelere kaldırın. Kesme donanımı bir nesneye çarparsa nesne fırlayabilir ve yaralanmaya sebep olabilir. İstenmeyen nesnelere, kesme donanımının etrafına dolanabilir ve hasara neden olabilir.
- Kötü hava koşullarında (sis, yağmur, kuvvetli rüzgar, yıldırım düşme riski veya diğer hava koşulları) ürünü kullanmayın. Kötü hava nedeniyle tehlikeli koşullar (örn. kaygan yüzeyler) oluşabilir.
- Rahatça hareket edebildiğinizden ve dengeli bir pozisyonda çalışabildiğinizden emin olun.

(Şek. 17)

- Ürünü kullanırken düşme ihtimaliniz olmadığından emin olun. Ürünü kullanırken eğilmeyin.
- Ürünü daima iki elinizle tutun. Ürünü vücudunuzun sağ tarafında tutun.

(Şek. 18)

- Ürünü, kesme donanımı bel hizanızın altında kalacak şekilde kullanın.
- Jikle kontrolü, motor başladığında jikle konumundaysa kesme donanımı dönmeye başlar.
- Motor durduktan sonra ayna dişliye dokunmayın. Ayna dişli, motor durduktan sonra sıcak olur. Sıcak bölgeler yaralanmaya sebep olabilir.
- Ürünü taşımadan önce motoru durdurun.
- Motor açıkken ürünü yere koymayın.
- Üründeki istenmeyen malzemeleri çıkarmadan önce motoru durdurun ve kesme donanımının durmasını bekleyin. Siz veya bir yardımcı kesilen malzemeleri temizlemeden önce kesme donanımının durmasını bekleyin.

## Kişisel koruyucu ekipman



**UYARI:** Ürünü kullanmadan önce aşağıdaki uyarı talimatlarını okuyun.

- Ürünü kullanırken her zaman uygun kişisel koruyucu ekipmanlar kullanın. Kişisel koruyucu ekipmanlar yaralanma riskini ortadan kaldırmaz. Kişisel koruyucu ekipmanlar, bir kaza oluşması durumunda yaralanma derecesini azaltır.
- Ürünü kullanırken daima onaylı bir koruyucu gözlük kullanın.

- Ürünü çıplak ayakla veya açık ayakkabılarla kullanmayın. Her zaman ağır hizmet tipi kaymayan botlar giyin.
- Kalın, uzun pantolonlar giyin.
- Gerekliyse onaylı koruyucu eldivenler takın.
- Nesnelere kafanıza düşme riski varsa bir baret kullanın.
- Ürünü kullanırken daima onaylı bir koruyucu kulaklık takın. Uzun süre boyunca gürültüye maruz kalmak gürültüye bağlı işitme kaybına neden olabilir.
- Yakınızdaki bir ilk yardım kiti bulunduğundan emin olun.

## Ürünün üzerindeki güvenlik aletleri



**UYARI:** Ürünü kullanmadan önce aşağıdaki uyarı talimatlarını okuyun.

- Güvenlik araçları arızalı olan bir ürünü kullanmayın.
- Güvenlik araçlarını düzenli olarak kontrol edin. Bkz. *Ürüne genel bakış sayfa: 335.*
- Güvenlik araçları arızalıysa Husqvarna bayinizle görüşün.

### Gaz tetiği kilidi

Gaz tetiği kilidi, gaz tetiğini kilitlet.  
(Şek. 19)

Gaz tetiğini (B) serbest bırakmak için gaz tetiği kilidine (A) basın. Kolu serbest bıraktığınızda gaz tetiği kilidi ve gaz tetiği ilk konumuna geri döner.

1. Gaz tetiği kilidini (A) serbest bıraktığınızda gaz tetiğinin (B) rölantri konumunda kilitletiğinden emin olun.
2. Gaz tetiği kilidine (A) basın ve kilidi serbest bıraktığınızda ilk konumuna döndüğünden emin olun.
3. Gaz tetiğine (B) basın ve tetiği serbest bıraktığınızda ilk konumuna döndüğünden emin olun.

Motoru çalıştırın ve tam gaz verin. Gaz tetiğini serbest bırakın ve kesme donanımının durup durmadığını kontrol edin. Gaz, rölantri konumundayken kesme donanımı dönüyorsa karbüratörün rölantri ayar vidasını inceleyin.

### Durdurma anahtarı

Motoru başlatın. Durdurma anahtarını durma konumuna getirdiğinizde motorun durduğundan emin olun.

(Şek. 20)

### Kesme donanımı koruyucusu

Kesme donanımı siperliği, nesnelere operatöre doğru fırlatılmasını engeller.  
(Şek. 21)

Kesme donanımı siperliğinde hasar olup olmadığını kontrol edin ve hasarlıysa siperliği değiştirin. Yalnızca onaylı kesme donanımı siperliğini kullanın.

### Susturucu

- Susturucusu hasar görmüş motor kullanmayın. Hasarlı bir susturucu, gürültü düzeyini ve yangın riskini artırır. Yakında bir yangın söndürücü bulundurun.
- Susturucunun ürüne takılı olup olmadığını düzenli olarak kontrol edin.
- Motor açıkken motora veya susturucuya dokunmayın. Motor durduktan sonra motora veya susturucuya bir süre boyunca dokunmayın. Sıcak yüzeyler yaralanmalara sebep olabilir.
- Sıcak susturucu yangına neden olabilir. Ürünü yanıcı sıvıların veya dumanların yakınında kullanırken dikkatli olun.
- Susturucu hasar görmüşse susturucudaki parçalara dokunmayın. Parçalar kanserojen kimyasallar içerebilir.

### Kesme donanımı



**UYARI:** Ürünü kullanmadan önce aşağıdaki uyarı talimatlarını okuyun.

- Düzenli olarak bakım yapın. Ayarlama veya onarım yapılması için düzenli olarak kesme donanımının onaylı bir servis merkezi tarafından incelenmesini sağlayın.
- Kesme donanımının performansı artar.
- Kesme donanımının kullanım ömrü uzar.
- Kaza riski azalır.
- Yalnızca onaylı bir kesme donanımı siperliği kullanın. Daha fazla bilgi için bkz. *Aksesuarlar sayfa: 345.*
- Hasarlı kesme donanımı kullanmayın.

### Yakıt güvenliği



**UYARI:** Ürünü kullanmadan önce aşağıdaki uyarı talimatlarını okuyun.

- Yakıtı kapalı bir mekanda veya bir ısı kaynağının yakınında karıştırmayın.
- Ürünün üzerinde yakıt veya motor yağı varsa ürünü çalıştırmayın. İstenmeyen yakıt/yağı temizleyin ve ürünün kurumasını bekleyin. Üründeki istenmeyen yakıtı temizleyin.
- Kıyafetlerinize yakıt bulaşırsa kıyafetlerinizi hemen değiştirin.
- Vücudunuza yakıt bulaştırmayın; bu, yaralanmaya sebep olabilir. Vücudunuza yakıt bulaşırsa yakıtı temizlemek için su ve sabun kullanın.
- Ürüne ya da vücudunuza yağ veya yakıt dökerseniz motoru çalıştırmayın.
- Motorda sızıntı varsa ürünü çalıştırmayın. Motorda sızıntı olup olmadığını düzenli olarak kontrol edin.

- Yakıtla uğraşırken dikkatli olun. Yakıt yanıcı ve dumanlar patlayıcıdır; yaralanmalara veya ölüme sebep olabilir.
- Yaralanmaya sebep olabileceğinden yakıt dumanını solumayın. Yeterli hava akışı olduğundan emin olun.
- Yakıtın veya motorun yakınında sigara içmeyin.
- Yakıtın veya motorun yakınına sıcak nesnelere koymayın.
- Motor açıkken yakıt eklemeyin.
- Yakıtı yenilemeden önce motorun soğuduğundan emin olun.
- Yakıtı yenilemeden önce yakıt tankı kapağını yavaşça açın ve basıncı dikkatlice tahliye edin.
- Kapalı bir alanda motora yakıt eklemeyin. Nefessiz kalma veya karbon monoksit nedeniyle yeterli hava akışının olmaması yaralanmaya veya ölüme sebep olabilir.
- Yakıt tankı kapağını dikkatlice sıkın; aksi takdirde yangın çıkabilir.
- Çalıştırmadan önce ürünü, yakıt tankını doldurduğunuz konumdan en az 3 m (10 ft) uzağa taşıyın.
- Yakıt tankına çok fazla yakıt doldurmayın.
- Ürünü veya yakıt konteynerini taşıırken sızıntı olmadığından emin olun.
- Ürünü veya bir yakıt konteynerini açık ateşin, kıvılcımın veya pilot alevinin olduğu bir alana koymayın. Depolama alanında açık alev olmadığından emin olun.

- Yakıtı taşıırken veya depolarken yalnızca onaylı konteynerleri kullanın.
- Ürünü uzun süre saklamadan önce yakıt tankını boşaltın. Yakıtın nereye atılacağı konusunda yerel yasalara uyun.
- Ürünü uzun süre saklamadan önce temizleyin.
- Motorun kazara çalışmasını engellemek için ürünü saklamadan önce buji kablosunu çıkarın.

## Bakım için güvenlik talimatları



**UYARI:** Ürün üzerinde bakım yapmadan önce aşağıdaki uyarı talimatlarını okuyun.

- Sadece bu kullanım kılavuzunda gösterilen bakım ve servis işlemlerini yapın. Diğer tüm servis ve onarım işlemlerini profesyonel servis çalışanlarına yaptırın.
- Bu kılavuzda belirtilen güvenlik kontrolleri ile bakım ve servis talimatlarını düzenli olarak uygulayın. Düzenli bakım ürünün kullanım ömrünü uzatır ve kaza riskini azaltır. Talimatlar için bkz. *Bakım takvimi sayfa: 342*.
- Bakım yaptıktan sonra bu kullanım kılavuzunda belirtilen güvenlik kontrolleri onaylanmazsa servis bayinizle iletişime geçin. Ürününüz için profesyonel onarım ve servis hizmetinin mevcut olduğunu garanti ederiz.

## Montaj

### Giriş



**UYARI:** Ürünü monte etmeden önce güvenlik bölümünü okuyup anlamalısınız.



**UYARI:** Ürünün montajını yapmadan önce buji kablosunu bujiden çıkarın.

### Yarım daire şeklindeki tutamağı monte etme

1. Yarım daire şeklindeki tutamağı mil üzerindeki okların arasına takın.
2. Yarım daire şeklindeki tutamağı mile takmak için civatayı sıkın. (Şek. 22)

### Kesme donanımının monte edilmesi

#### Kesme donanımı siperliğinin montajı

1. Kesme donanımı siperliğini (A) milin üzerine yerleştirin. (Şek. 23)

2. Braketi (B) kesme donanımı siperliğinin üzerindeki yuvaya yerleştirin.
3. Civatayı (C) braket üzerindeki delikten kesme donanımı siperliğine geçirin.

#### Misina kafayı takma

1. Kesme donanımı siperliğinin (A) ürüne takıldığından emin olun. Bkz. *Kesme donanımı siperliğinin montajı sayfa: 339*. (Şek. 24)
2. Çalıştırma diskinin (C) çıkış miline (D) takıldığından emin olun.
3. Yıldız anahtar (C) deliğe geçirek mili kilitleyin.
4. Misina kafayı (E) çıkış milinin üzerine yerleştirin.
5. Misina kafayı sıkarak çıkış miline sabitlemek için kafayı saat yönünün tersine çevirin. (Şek. 25)
6. Yıldız anahtar çıkarın.

# Kullanım

## Giriş



**UYARI:** Ürünü kullanmadan önce güvenlik bölümünü okuyup anlamalısınız.

## Yakıt

Bu üründe iki zamanlı motor bulunur.



**DİKKAT:** Yanlış tür yakıtın kullanımı motor hasarına neden olabilir. Benzin ve iki zamanlı motor yağı karışımı kullanın.

## Hazır yakıt karışımı

- Motorun en iyi performansı göstermesi ve motor ömrünün uzaması için iyi kalite Husqvarna hazır alkilat yakıt karışımı kullanın. Zararlı egzoz dumanını azaltan bu yakıt, normal yakıta kıyasla daha az zararlı kimyasal içerir. Bu yakıt yanma sonrası daha az kalıntı bıraktığından, motor bileşenlerini daha temiz tutar.

## Yakıtın karıştırılması

### Benzin



**DİKKAT:** Oktan numarası 90 RON (87 AKI) değerinin altında olan benzin kullanmayın. Bu, üründe hasara neden olabilir.



**DİKKAT:** %10'dan fazla etanol konsantrasyonu (E10) içeren benzin kullanmayın. Bu, üründe hasara neden olabilir.

- Her zaman minimum 90 RON (87 AKI) oktan numarasına sahip ve %10'dan az etanol konsantrasyonu (E10) içeren yeni kurşunsuz benzin kullanın.
- Ürünü sık sık ve sürekli olarak yüksek motor devrinde kullanıyorsanız daha yüksek oktan numarasına sahip benzin kullanın.

### İki zamanlı yağ

- En iyi sonuçlar ve performans için Husqvarna iki zamanlı yağ kullanın.
- Husqvarna iki zamanlı yağ yoksa hava soğutmalı motorlar için iyi kalitede başka bir iki zamanlı yağ kullanın. Doğru yağı seçmek için servis bayinizle iletişime geçin.



**DİKKAT:** Su soğutmalı dış motorlar için olan ve dış yağ olarak da bilinen iki

zamanlı yağı kullanmayın. Dört zamanlı motor yağlarını kullanmayın.

## Benzinle iki zamanlı yağ karıştırma

Benzin, litre	İki zamanlı yağ, litre
	<b>%2 (50:1)</b>
5	0,10
10	0,20
15	0,30
20	0,40



**DİKKAT:** Az miktarda yakıt karıştırırken yapılan küçük bir hata, karışımın oranını büyük ölçüde etkileyebilir. Doğru karışımı elde ettiğinizden emin olmak için yağ miktarını dikkatli bir şekilde ölçün.

(Şek. 26)

1. Benzinin yarısını temiz bir yakıt kabına doldurun.
2. Yağ miktarının tümünü ekleyin.
3. Yakıt karışımını çalkalayın.
4. Kalan benzini kaba ekleyin.
5. Yakıt karışımını dikkatlice çalkalayın.



**DİKKAT:** Tek seferde 1 aylıktan fazla yakıt karıştırmayın.

## Yakıtın eklenmesi

- Her zaman sıçratma karşıtı valfi olan bir yakıt konteyneri kullanın.
- Konteynerde yakıt varsa istenmeyen yakıtı boşaltın ve konteynerin kurumasını bekleyin.
- Yakıt tankı kapağının etrafındaki bölgenin temiz olduğundan emin olun.
- Yakıt karışımını yakıt tankına eklemeyen önce yakıt konteynerini çalkalayın.

## Motoru alıştırma

- İlk 10 saatlik çalışma süresi içinde uzun süreler boyunca yüksüz halde tam gaz uygulamayın.

## Çalıştırma ve durdurma

### Başlangıç öncesi kontrol

1. Üründe eksik, hasarlı, gevşek veya aşınmış parçalar olmadığından emin olun.

2. Somun, vida ve civataların sıkıldığından emin olun.
3. Misina kafanın zarar görmemiş olduğundan emin olun.
4. Hava filtresinin tıkalı olmadığından emin olun.
5. Üründeki güvenlik araçlarının hatalı olmadığından emin olun.
6. Üründe yakıt sızıntısı olmadığından emin olun.

### Soğuk motoru çalıştırma

1. Yakıt pompası diyaframı haznesine 10 kez basın. (Şek. 27)
2. Jikle kontrolünü yukarı doğru çekin. (Şek. 28)
3. Sol elinizle ürünün gövdesini zeminin üzerinde tutun. (Şek. 29) Ürünün üstüne basmayın. Biraz direnç hissedene kadar çalıştırma ipi kolunu yavaşça çekin. Daha sonra çalıştırma ipi tutacağını güçlü bir şekilde çekin.

**Not:** Motoru çalıştırırken gaz tetiğini çekmeyin.

4. Motor çalışana veya çalışmayı deneyene kadar çalıştırma ipi tutacağını çekmeye devam edin (maksimum 3 kere çekin). Motor çalışırsa veya çalışmayı denerse jikle kontrolünü aşağı doğru itin. Motor çalışana kadar çekmeye devam edin. Motor çalıştıktan sonra gaz tetiğini çekmeden önce 60 saniye bekleyin.



**DİKKAT:** Motor durana kadar çalıştırma ipini çekmeyin. Tamamen çekilmiş durumdayken çalıştırma ipini bırakmayın. Çalıştırma ipini yavaşça serbest bırakın. Bu talimatlara uyulmaması motora zarar verebilir.

### Sıcak motoru çalıştırma

1. Yakıt pompası diyaframı haznesine 10 kez basın.
2. Motor çalışana kadar çalıştırma ipini çekin.

### Yakıt çok sıcak olduğunda motoru çalıştırmak için

Ürün çalışmazsa yakıt çok sıcak olabilir.

**Not:** Her zaman yeni yakıt kullanın ve sıcak havada çalışma süresini azaltın.

1. Ürünü doğrudan güneş ışığından uzakta serin bir yere koyun.
2. Ürünün en az 20 dakika soğumasını bekleyin.
3. Yakıt pompası diyaframı haznesine 10-15 saniye boyunca tekrar tekrar basın.
4. Soğuk motoru çalıştırma prosedürüne uyun. Bkz. *Soğuk motoru çalıştırma sayfa: 341.*

### Motorun durdurulması

- Motoru durdurmak için durdurma anahtarına basın. (Şek. 30)

**Not:** Durdurma düğmesi, otomatik olarak ilk konumuna geri döner.

### Çim budayıcının kullanılması



**DİKKAT:** Her kullanımdan sonra motoru yavaşlatarak rölantri devrine aldığınızdan emin olun. Motor üzerinde yük olmadan uzun süre tam gazda çalıştırmak motora zarar verebilir.

**Not:** Titreşimleri önlemek için yeni bir misina taktığınızda misina kafanın kapağını temizleyin. Misina kafanın diğer parçalarını kontrol edin ve gerekiyorsa temizleyin.

### Çim düzeltme

1. Misina kafayı zemin yüzeyinin hemen üstünde bir açı ile tutun. Misinayı çime bastırmayın. (Şek. 31)
2. Misina uzunluğunu 10-12 cm/4-4,75 inç kısaltın.
3. Bitkilere zarar verme riskini azaltmak için motor devrini düşürün.
4. Nesnelerin yakınında çim keserken %80 oranında gaz kullanın. (Şek. 32)

### Çim kesme

1. Çim keserken çim misinasının zemine paralel olduğundan emin olun. (Şek. 33)
2. Misina kafayı zemine bastırmayın. Zemin ve ürün zarar görebilir.
3. Misina kafanın zemine sürekli olarak değmesine izin vermeyin; bu, misina kafaya zarar verebilir.
4. Ürünü bir yandan bir yana hareket ettirerek çim keserken tam gaz kullanın. Misininin zemine paralel olduğundan emin olun. (Şek. 34)

### Misina kafa

- Titreşimi azaltmak için misinayı tamburun etrafına sıkıca ve eşit şekilde sardığınızdan emin olun.
- Yalnızca onaylı misina kafa ve misina kullanın. Bkz. *Aksesuarlar sayfa: 345.*
- Uygun uzunlukta misina kullanın. Uzun misinalar, kısa misinalardan daha fazla motor gücü tüketir.
- Kesme donanımı siperliği üzerindeki testerenin hasarlı olmadığından emin olun.
- Misinayı ürüne takmadan önce 2 gün boyunca suda bekletin. Bu, misininin kullanım ömrünü uzatır.

### Misininin değiştirilmesi

- (Şek. 35)  
(Şek. 36)  
(Şek. 37)  
(Şek. 38)  
(Şek. 39)  
(Şek. 40)  
(Şek. 41)

## Bakım

### Giriş



**UYARI:** Bakım yapmadan önce güvenlik bölümünü okuyup anlamanız gerekir.

Ürüne uygulanacak tüm servis ve onarım işlemleri için özel eğitim gereklidir. Profesyonel onarım ve servis hizmetlerinin mevcut bulunduğunu garanti etmekteyiz. Yetkili satıcınız servis noktası değilse kendisiyle görüşüp en yakınınızdaki servis noktası hakkında bilgi edinin.

### Bakım takvimi

#### Haftalık bakım

- Dış yüzeyleri temizleyin.
- Rölantideyken kesme donanımının hareket etmediğinden emin olun. Bkz. *Rölantinin ayarlanması sayfada: 342.*
- Ayna dişlideki gres seviyesini inceleyin. Bkz. *Ayna dişliye gres eklenmesi sayfada: 343.*

#### Aylık bakım

- Çalıştırma ipi kolunun ve çalıştırma ipinin zarar görmediğinden emin olun.

#### Yıllık bakım

- Bujiyi kontrol edin. Bkz. *Bujinin kontrol edilmesi sayfada: 342*
- Karbüratörün dış yüzeylerini ve yanındaki alanları temizleyin.
- Soğutma sistemini temizleyin.
- Kıvılcım önleyici siperliği kontrol edin. Bkz. *Kıvılcım önleyici siperliğin bakımı sayfada: 342.*
- Yakıt filtresini kontrol edin.
- Yakıt hortumunun zarar görmemiş olduğundan emin olun.
- Üründeki kabloların ve bağlantıların zarar görmediğinden emin olun.

### Rölantinin ayarlanması

- Rölantiyi ayarlamadan önce hava filtresinin temiz ve hava filtresi kapağının takılı olduğundan emin olun.
  - "T" işaretiyle belirtilmiş rölanti T ayar vidası ile rölantiyi ayarlayın.
  - Motorun her konumda sorunsuz çalışması rölantinin doğru ayarlandığı anlamına gelir. Kesme donanımı dönmeye başladığında rölanti, devirden düşük olmalıdır.
1. Kesme donanımı dönmeye başlayana kadar rölanti ayar vidasını saat yönünde döndürün. (Şek. 43)
  2. Kesme donanımı durana kadar rölanti ayar vidasını saat yönünün tersine döndürün.

### Kıvılcım önleyici siperliğin bakımı

Kıvılcım önleyici siperliği temizlemek için bir tel fırça kullanın. (Şek. 44)

### Soğutma sistemini temizleme

Soğutma sisteminin parçalarını bir fırçayla temizleyin. (Şek. 45)

### Bujinin kontrol edilmesi



**DİKKAT:** Önerilen bujii kullanın. Yedek parçanın üretici tarafından sağlanan parçayla aynı olduğundan emin olun. Yanlış buji, ürüne zarar verebilir.

1. Bujiyi;
  - a) motor gücü düşükse,
  - b) motor kolay başlatılmıyorsa,
  - c) motor, rölantide düzgün çalışmıyorsa kontrol edin.
2. Motoru çalıştırmak veya kullanmak kolay değilse bujide istenmeyen nesnelere olup olmadığını kontrol edin. Buji elektrotlarında istenmeyen nesne riskini azaltmak için;
  - a) Rölanti hızının doğru ayarlandığından emin olun.
  - b) Yakıt karışımının doğru ayarlanmış olduğundan emin olun.
  - c) Hava filtresinin temiz olduğundan emin olun.
3. Bujii kirliyse bujii temizleyin. Elektrot boşluğunun doğru olduğundan emin olun. (Şek. 46)
4. Gerekirse bujii değiştirin.

### Hava filtresinin bakımı

#### Hava filtresinin temizlenmesi

1. Hava filtresi kapağını ve hava filtresini çıkarın. (Şek. 47)
2. Hava filtresini ılık, sabunlu suyla temizleyin. Takmadan önce hava filtresinin kuru olduğundan emin olun.
3. Tamamen temizlenmeyecek kadar kirlenmişse hava filtresini değiştirin. Hasar görmüş hava filtrelerini daima değiştirin.
4. Ürününüzde köpük hava filtresi varsa hava filtresi yağı uygulayın. Hava filtresi yağını yalnızca köpük filtreye uygulayın. Keçe filtreye yağ uygulamayın.

## Hava filtresine hava filtresi yağının uygulanması



**DİKKAT:** Köpük hava filtrelerini yağlamak için daima özel hava filtresi yağı kullanın. Diğer yağ türlerini kullanmayın.



**UYARI:** Vücudunuza yağ bulaştırmayın.

1. Hava filtresi kapağını ve hava filtresini çıkarın. (Şek. 48)
2. Hava filtresini plastik bir torbaya koyun.

3. Hava filtresi yağını plastik torbaya koyun. (Şek. 49)
4. Yağın, hava filtresinin her yerine eşit olarak yayıldığından emin olmak için plastik torbayı bastırın.
5. Fazla hava filtresi yağını boşaltmak için torbanın içindeyken hava filtresini sıkın. Hava filtresini torbadan çıkarın.
6. Hava filtresini ürüne takın.

## Ayna dişliye gres eklenmesi

Ayna dişlinin 3/4 kadarının ayna dişli gresi ile dolu olduğundan emin olun.  
(Şek. 50)

## Sorun giderme

### Motorun çalışmaması

Kontrol edin	Olası neden	Prosedür
Durdurma anahtarı.	Durdurma anahtarı durdurma konumundadır.	Durdurma anahtarını çalıştırma konumuna getirin.
Marştaki dişli çark mandalları.	Marştaki dişli çark mandalları serbest hareket edemiyordur.	Çalıştırıcı kapağını çıkarın ve marştaki dişli çark mandalların çevresini temizleyin. Yetkili bir servis noktasından yardım alın.
Yakıt tankı.	Yanlış yakıt tipi.	Yakıt tankını boşaltın ve doğru yakıtla doldurun.
Buji.	Buji kirli veya ıslaktır.	Bujinin kuru ve temiz olduğundan emin olun.
	Buji elektrot boşluğu yanlıştır.	Bujiyi temizleyin. Elektrot boşluğunun doğru olduğundan emin olun. Bujinin parazit gidericisi olduğundan emin olun. Doğru elektrot boşluğu için teknik bilgilere göz atın.
	Buji gevşektir.	Bujiyi sıkın.

### Motor çalışıyor ancak tekrar duruyor

Kontrol edin	Olası neden	Prosedür
Yakıt tankı	Yanlış yakıt tipi.	Yakıt tankını boşaltın ve doğru yakıtı doldurun.
Hava filtresi	Hava filtresi tıkalıdır.	Hava filtresini temizleyin.

## Taşıma, depolama ve atma

### Taşıma ve saklama

- Taşımadan veya saklamadan önce ürünü soğumaya bırakın.
- Uzun süre için depoya kaldırmadan önce buji kapağını çıkarın.
- Ürünü taşıma sırasında takın. Oynamadığından emin olun.

- Taşıma ve saklama sırasında yakıt kaçağı, yakıt dumanı, kıvılcım veya alev alma riski olmadığından emin olun.
- Uzun süre için depoya kaldırmadan önce ürünü temizleyip bakımını yapın.

## Teknik veriler

### Teknik veriler

	<b>325L</b> <b>A05328CSHV</b>
<b>Motor</b>	
Silindir hacmi, cm <sup>3</sup>	27,6
Rölanti, dev/dak	2800 - 3200
Önerilen maksimum devir, dev/dak	8000
ISO 8893'e göre Güç/Maks. motor çıkışı, dev/dak'da kW/hp	8000'de 0,9/1,2
Katalitik konvertör susturucusu	Evet
Çıkış milinin devri, dev/dak	7200
<b>Ateşleme sistemi</b>	
Buji	Husqvarna HQT-4
Elektrot boşluğu, mm	0,5
<b>Yakıt sistemi</b>	
Yakıt deposu kapasitesi, l/cm <sup>3</sup>	0,343/343
<b>Ürün boyutları</b>	
Ağırlık (kesme donanımı hariç), kg	5,0
<b>Gürültü yayma<sup>79</sup></b>	
Ses gücü düzeyi, garanti edilen (L <sub>WA</sub> ), dB(A)	114
Ses gücü düzeyi, ölçülen, dB(A)	110

<sup>79</sup> Ses gücü (L<sub>WA</sub>) türünden ortamda ölçülen gürültü yayma değeri, 2000/14/AT sayılı AT direktifine uygun olarak ölçülmüştür. Ürün için bildirilen ses gücü seviyesi, en yüksek ses gücü seviyesi çıkışlı orijinal kesme ataşmanı ile ölçülmüştür. Garanti edilen ve ölçülen ses gücü arasındaki fark, garantili ses gücünün 2000/14/AT Sayılı Direktif doğrultusunda ölçüm sonucundaki dağılımı ve aynı modelden farklı ürünler arasındaki değişimleri de içermesidir.



	<b>325L</b> <b>A05328CSHV</b>
<b>Ses seviyeleri<sup>80</sup></b>	
Operatör seviyesinde ses basıncı düzeyi, misina kafa ile donatılmış, dB(A)	93
<b>Titreşim seviyeleri<sup>81</sup></b>	
Eşdeğer titreşim düzeyi (ahv, eq), misina kafa ile donatılmış, sol tutacak, m/s <sup>2</sup>	4.2
Eşdeğer titreşim düzeyi (ahv, eq), misina kafa ile donatılmış, sağ tutacak, m/s <sup>2</sup>	6,1

## Aksesuarlar

### Aksesuarlar

Onaylı aksesuarlar	Tip	Kesme donanımı koruyucusu
Yivli şaft	M10L	
Misina kafa	T35, Ø 2,4 mm	588 54 37-01

<sup>80</sup> Ürünün eşdeğer ses basıncı seviyesi için bildirilen verilerdeki tipik istatistik dağılımı (standart sapma) 1 dB (A) şeklindedir.

<sup>81</sup> Eş değer titreşim seviyesi için bildirilen verilerin tipik istatistik dağılımı (standart sapması) 1 m/s<sup>2</sup> şeklindedir.

# AT Uyumluluk Bildirimi

## AB uyumluluk bildiriminin içeriği

Husqvarna AB, SE 561 82 Huskvarna, İSVEÇ olarak, sunulan ürünün tek sorumlusu olma vasfıyla aşağıdaki beyanlarda bulunmaktayız:

Açıklama	Benzinli Çim Budayıcı / Çalı Tırpanı
Marka	Husqvarna
Platform / Tür / Model	325L modelini temsil eden A05328CSHV platformu.
Parti	2018 ve daha ileri tarihli seri numaraları.

aşağıdaki AB direktifleri ve düzenlemeleriyle tamamen uyumludur:

Direktif/Düzenleme	Açıklama
2006/42/AT	"makinelere ilgili"
2014/30/AB	"elektromanyetik uyumlulukla ilgili"
2000/14/AT	"açık alanda gürültüyle ilgili"
2011/65/AB	"belirli tehlikeli maddelerin kısıtlanmasıyla ilgili"

Uygulanan uyumlaştırılmış standartlar ve/veya teknik özellikler şu şekildedir: EN ISO 12100, EN ISO 11806-1, CISPR 12, ISO 14982, EN 50581:2012.

2000/14/AT direktifi Ek V uyarınca beyan edilen ses değerleri, bu kılavuzun teknik veriler kısmında ve imzalı AT Uyumluluk Bildirimi'nde belirtilmiştir.

TÜV Rheinland N.A., Husqvarna AB adına, makinelerle ilgili 2006/42/AT sayılı AT Konsey direktifi Uygunluk belgesi uyarınca gönüllü bir inceleme gerçekleştirmiştir.

İmzalı AT Uyumluluk Bildirimi'nde sağlandığı haliyle sertifika, tüm üretim yerleri ve Menşe Ülkeleri için üründe belirtildiği şekilde geçerlidir.

Verilen benzinli çim budayıcı/çalı tırpanı incelemeden geçmiş örnekle uyumludur.

---

## Зміст

---

Вступ.....	347	Усунення несправностей.....	356
Безпека.....	348	Транспортування, зберігання й утилізація.....	357
Збирання.....	352	Технічні характеристики.....	357
Експлуатація.....	352	Аксесуари.....	358
ТЕХНІЧНЕ ОБСЛУГОВУВАННЯ.....	355	Декларація відповідності ЄС.....	359

---

## Вступ

---

### Посібник користувача

Оригінальна мова посібника користувача – англійська. Посібники користувача іншими мовами є перекладами англійського оригіналу.

### Призначення

Виріб використовується разом із головою тримера для підстригання трави. Забороняється

### Огляд виробу

(Мал. 1)

1. Головка тримера
2. Кришка мастильного фільтра
3. Зубчаста передача
4. Захисний кожух ріжучої насадки
5. Штанга
6. Петельний тримач
7. Курок газу
8. Вимикач
9. Блокування курка газу
10. Ковпак свічки запалювання, свічка запалювання
11. Корпус стартера
12. Рукоятка стартера
13. Паливний бак
14. Кришка повітряного фільтра
15. Кнопка продувки повітря
16. Керування заслінкою.
17. Приводний диск
18. Посібник користувача
19. Зіркоподібний ключ

### Символи на виробі

(Мал. 2) **ПОПЕРЕДЖЕННЯ!** Цей виріб може бути небезпечним. Необережне або неправильне використання виробу може призвести до травм або смерті оператора чи сторонніх осіб. Щоб уникнути травмування оператора чи сторонніх осіб, уважно прочитайте всі правила техніки

використовувати виріб для інших завдань, окрім підстригання й скошування трави.

**Зверніть увагу:** Норми внутрішнього законодавства можуть накладати обмеження на використання цього виробу.

---

безпеки, наведені в цьому посібнику користувача, і дотримуйтеся них.

(Мал. 3) Перед користуванням виробом уважно прочитайте посібник користувача та переконайтеся, що ви зрозуміли всі вказівки.

(Мал. 4) Користуйтеся відповідними захисними навушниками. Користуйтеся відповідними засобами захисту очей.

(Мал. 5) З-під виробу можуть викидатися предмети, що може призвести до травм.

(Мал. 6) Максимальна частота обертання вихідного вала.

(Мал. 7) Під час експлуатації виробу дистанція між вами й сторонніми особами чи тваринами повинна становити щонайменше 15 м.

(Мал. 8) Використовуйте лише гнучку нитку тримера (тримерний корд)

(Мал. 9) Забороняється використовувати металеві різальні елементи

(Мал. 10) Стрілками позначені обмеження для встановлення рукоятки.

(Мал. 11) Кнопка продувки повітря.

(Мал. 12) Заслінка.

(Мал. 13) Заправлення.

(Мал. 14) Рівень випромінювання шуму в навколишнє середовище відповідає Директиві ЄС. Рівень випромінювання шуму виробу вказано в розділі «Технічні дані» й на паспортній табличці.

(Мал. 15) Виріб відповідає належним вимогам директив ЄС.

(Мал. 16) Виріб відповідає належним вимогам директив ЕАС.

Серійний номер вказаний на табличці з паспортними даними. Число

ууууwwxxxx

уууу означає рік виробництва, ww – тиждень, а xxxx – це серійний номер.

**Зверніть увагу:** Інші позначення на виробі відповідають вимогам спеціальних сертифікатів для інших торгових зон.

## Відповідальність за якість продукції

Відповідно до законів про відповідальність за якість продукції ми не несемо відповідальності за будь-які пошкодження, спричинені роботою наших виробів, якщо:

- виріб був неправильно відремонтований;
- виріб був відремонтований із використанням деталей, виготовлених не виробником або не затверджених ним;
- виріб обладнаний аксесуаром, виготовленим не виробником або не затвердженим ним;
- виріб був відремонтований у неавторизованому сервісному центрі або неавторизованою компанією;

## ЄС V



**ПОПЕРЕДЖЕННЯ:** Внесення змін у двигун позбавляє чинності сертифікація ЄС для цього виробу.

## Безпека

### Визначення щодо безпеки

Попередження, застереження й примітки служать для наголошення на особливо важливих положеннях посібника.



**ПОПЕРЕДЖЕННЯ:** Вказує на те, що в разі порушення інструкцій, наведених у цьому посібнику, існує небезпека поранення або смерті оператора чи інших осіб, що знаходяться поруч.



**УВАГА:** Вказує на те, що в разі порушення інструкцій, наведених у цьому посібнику, існує небезпека пошкодження виробу, інших матеріалів або навколишніх об'єктів.

**Зверніть увагу:** Використовується для надання додаткової інформації щодо певної ситуації.

### Противібраційна безпека

Цей виріб призначено для періодичного використання. Тривала або регулярна робота з виробом може призвести до синдрому білих пальців або інших хвороб через вібрацію. У разі тривалої або регулярної експлуатації виробу перевіряйте стан своїх рук та пальців. Якщо колір ваших рук або

пальців змінився, ви відчуваєте в них біль, поколювання або оніміння, припиніть роботу та негайно зверніться до лікаря.

### Загальні правила техніки безпеки



**ПОПЕРЕДЖЕННЯ:** Перш ніж розпочати використання виробу, уважно прочитайте наведені нижче попередження.

- Використовуйте виріб правильно. Неправильне використання може призвести до травм або смерті. Використовуйте виріб лише для завдань, перелічених у цьому посібнику. Забороняється використовувати продукт для інших завдань.
- Дотримуйтеся інструкцій, наведених у цьому посібнику. Дотримуйтеся інструкцій, зазначених на попереджувальних знаках та в правилах техніки безпеки. Недотримання оператором інструкцій, зазначених на попереджувальних знаках та в правилах техніки безпеки, може призвести до травм, пошкоджень або смерті.
- Не викидайте цей посібник. Користуйтеся інструкціями для монтажу, експлуатації та підтримки виробу в задовільному стані. Користуйтеся інструкціями для правильного встановлення насадок та приладдя. Використовуйте лише сертифіковані насадки та приладдя.

- Не користуйтеся пошкодженим виробом. Дотримуйтеся графіка технічного обслуговування. Виконуйте лише те обслуговування, для якого наведені інструкції в цьому посібнику. Все інше обслуговування повинне виконуватися в авторизованому сервісному центрі.
- Цей посібник не включає всі ситуації, що можуть статися під час використання виробу. Будьте обережні та дотримуйтеся здорового глузду. Не експлуатуйте виріб і не виконуйте технічне обслуговування, якщо ви не можете розібратися в поточній ситуації. Більш детальну інформацію можна дізнатися в експерта з продукції, вашого дилера, центрі обслуговування або в авторизованому сервісному центрі.
- Перед монтажем, збиранням або технічним обслуговуванням необхідно виймати свічку запалювання.
- Не використовуйте виріб у разі зміни його початкових технічних характеристик. Не замінюйте деталі виробу без дозволу виробника. Використовуйте лише деталі, схвалені виробником. Неправильне технічне обслуговування може призвести до травм або смерті.
- Не вдихайте вихлопні гази, що виходять з двигуна. Тривале вдихання вихлопних газів двигуна може бути небезпечним для здоров'я.
- Не вмикайте виріб у приміщенні чи біля легкозаймистих матеріалів. Вихлопні гази мають високу температуру та можуть містити іскри, від яких можливе загоряння. Недостатнє провітрювання може призвести до травм або смерті внаслідок задухи чи отруєння монооксидом вуглецю.
- Під час використання виробу двигун створює електромагнітне поле. Електромагнітне поле може пошкодити медичні імплантати. Перш ніж працювати з цим приладом, проконсультуйтеся з лікарем і виробником медичного імплантату.
- Не давайте використовувати прилад дітям. Не давайте використовувати прилад особам, що не ознайомилися з інструкціями.
- Завжди спостерігайте за особами з обмеженими фізичними чи розумовими можливостями, що використовують виріб. Біля виробу, що працює, повинна завжди знаходитися відповідальна доросла особа.
- Зачиняйте виріб у місці, куди не зможуть отримати доступ діти та особи, що не мають належної підготовки для використання виробу.
- З під виробу можуть викидатися предмети, що може призвести до травм. Для зменшення ризику травм або смерті дотримуйтеся правил техніки безпеки.
- Не відходьте далеко від працюючого виробу.
- Відповідальність за нещасний випадок несе оператор.
- Перед використанням виробу переконайтеся, що його деталі не мають пошкоджень.
- Перед використанням виробу переконайтеся в тому, що ви перебуваєте на відстані щонайменше 15 м (50 футів) від інших осіб або тварин. Переконайтеся в тому, що особи на прилеглий території знають, що ви збираєтеся використовувати виріб.
- Дотримуйтеся державного та місцевого законодавства. Норми законодавства можуть забороняти або обмежувати використання виробу в деяких умовах.
- Заборонено використовувати виріб, якщо ви втомлені чи перебуваєте під впливом наркотиків, алкоголю або медикаментів. Ці речовини можуть вплинути на зір, реакцію, координацію рухів або спроможність робити зважені рішення.

## Правила техніки безпеки під час монтажу



**ПОПЕРЕДЖЕННЯ:** Перш ніж розпочати використання виробу, уважно прочитайте наведені нижче попередження.

- Перед збиранням виробу необхідно зняти ковпак свічки запалювання зі свічки запалювання.
- Використовуйте відповідні захисні рукавиці.
- Перед запуском двигуна переконайтеся, що кришка й вал змонтовані правильно.

## Правила техніки безпеки під час використання

- Перед використанням переконайтеся, що виріб повністю змонтований.
- Перед запуском пересуньте виріб на 3 м від місця, де ви заправляли його паливом. Розташуйте виріб на рівній поверхні. При цьому ріжуча насадка не повинна торкатися землі або інших предметів.
- З-під виробу можуть викидатися предмети, що може призвести до пошкодження очей. Під час експлуатації виробу завжди користуйтеся відповідними засобами захисту очей.
- Будьте обережні, адже під час експлуатації виробу до вас може без дозволу підійти дитина.
- Не використовуйте виріб, якщо на робочій ділянці знаходяться люди. Зупиніть виріб у разі, якщо на робочу ділянку зайшла особа.
- Завжди контролюйте місце знаходження виробу.
- Не використовуйте виріб, якщо немає змоги отримати допомогу в разі нещасного випадку. Перед початком експлуатації виробу переконайтеся, що інші особи знають, що ви будете працювати з виробом.
- Не обертайтеся разом з виробом, доки не переконаєтеся, що люди або тварини знаходяться в безпечній зоні.

- Перед початком роботи приберіть всі непотрібні предмети з робочої ділянки. Якщо ріжуча насадка натрапить на якийсь предмет, він може відлетіти та призвести до травм або пошкоджень. Непотрібні предмети можуть намотатися на ріжучу насадку та призвести до пошкоджень.
- Не користуйтеся виробом у погану погоду (туман, дощ, сильний вітер, якщо є ризик виникнення блискавки або за інших несприятливих погодних умов). Через погану погоду можуть утворюватися небезпечні умови (наприклад, слизькі поверхні).
- Переконайтеся, що ви можете вільно переміщуватися та працювати, зберігаючи стабільне положення.

(Мал. 17)

- Переконайтеся, що під час використання виробу ви не падете. Не нахилийтеся під час експлуатації виробу.
- Завжди утримуйте виріб обома руками. Тримайте виріб праворуч.

(Мал. 18)

- Використовуйте виріб лише тоді, коли ріжуча насадка знаходиться нижче рівня вашої талії.
- Якщо в момент запуску двигуна керування заслінкою знаходиться в положенні заслінки, ріжуча насадка почне обертатися.
- Не торкайтеся конічної зубчастої передачі після зупинки двигуна. Після зупинки двигуна конічна зубчаста передача має високу температуру. Контакт із гарячими поверхнями може призвести до травм.
- Перед переміщенням виробу зупиняйте двигун.
- Не кладіть працюючий виріб на землю.
- Перед тим як прибрати непотрібні предмети з виробу, зупиніть двигун та дочекайтеся зупинки ріжучої насадки. Дочекайтеся зупинки різальної насадки перед тим як ви або ваш помічник почне прибирати зрізаний матеріал.

## Засоби індивідуального захисту



**ПОПЕРЕДЖЕННЯ:** Перш ніж розпочати використання виробу, уважно прочитайте наведені нижче попередження.

- Під час експлуатації виробу завжди використовуйте відповідні засоби індивідуального захисту. Засоби індивідуального захисту не усувають повністю ризик отримання травм. Засоби індивідуального захисту знижують рівень пошкоджень у разі нещасного випадку.
- Під час експлуатації виробу завжди користуйтеся відповідними засобами захисту очей.
- Не використовуйте виріб, не надягнувши взуття або перебуваючи у відкритому взутті. Завжди використовуйте надміцні чоботи із захистом від ковзання.
- Використовуйте цупкі довгі штани.

- За необхідності використовуйте сертифіковані захисні рукавиці.
- У разі наявності ризику падіння предметів на голову, використовуйте шолом.
- Під час експлуатації виробу завжди користуйтеся відповідними засобами захисту органів слуху. Довготривалий вплив шуму може призвести до втрати слуху.
- Переконайтеся, що поряд є набір засобів для надання першої медичної допомоги.

## Механізми безпеки на пристрої



**ПОПЕРЕДЖЕННЯ:** Перш ніж розпочати використання виробу, уважно прочитайте наведені нижче попередження.

- Не використовуйте виріб із пошкодженими захисними пристроями.
- Регулярно перевіряйте захисні пристрої. Див. *Огляд виробу на сторінці 347.*
- У випадку пошкодження запобіжних механізмів зверніться до сервісного дилера Husqvarna.

## Блокування курка газу

Елемент блокування курка газу блокує курок газу. (Мал. 19)

Натисніть на елемент блокування курка газу (А), щоб відпустити курок газу (В). Коли ви випускаєте з рук рукоятку, елемент блокування курка газу та курок газу повертаються до початкового положення.

1. Переконайтеся, що курок газу (В) зафіксований у положенні для холостої роботи, після чого можна відпустити елемент блокування курка газу (А).
2. Натисніть на елемент блокування курка газу (А) та переконайтеся, що він повертається до початкового положення, коли ви відпускаєте його.
3. Натисніть на курок газу (В) та переконайтеся, що він повертається до початкового положення, коли ви відпускаєте його.

Запустіть двигун та повністю натисніть важіль дроселя. Відпустіть курок газу та перевірте, чи зупинилася ріжуча насадка. Якщо важіль знаходиться в положенні для холостого ходу, а ріжуча насадка продовжує обертатися, перевірте гвинт регулювання холостого ходу карбюратора.

## Вимикач

Запустіть двигун. Переконайтеся, що двигун вимикається, коли ви переводите вимикач у позицію зупинки.

(Мал. 20)

## Захисний кожух ріжучої насадки

Кожух ріжучої насадки захищає від викидання предметів у напрямку оператора.

(Мал. 21)

Перевіряйте кожух ріжучої насадки на предмет пошкоджень та в разі необхідності замінійте його. Використовуйте лише сертифіковані кожухи для ріжучих насадок.

### Глушник

- Не запускайте двигун з пошкодженим глушником. Пошкоджений глушник збільшує рівень шуму та підвищує небезпеку загоряння. Тримайте поруч вогнегасник.
- Регулярно перевіряйте кріплення глушника до виробу.
- Не торкайтеся двигуна або глушника під час роботи двигуна. Після зупинки двигуна почекайте деякий час перш ніж торкатися двигуна або глушника. Контакт із гарячими поверхнями може призвести до травм.
- Гарячий глушник може призвести до загоряння. Будьте обережні в разі використання виробу біля легкозаймистих рідин або газів.
- Не торкайтеся частин глушника в разі його пошкодження. Ці частини можуть містити канцерогенні хімічні речовини.

### Ріжуча насадка



**ПОПЕРЕДЖЕННЯ:** Перш ніж розпочати використання виробу, уважно прочитайте наведені нижче попередження.

- Проводьте регулярне технічне обслуговування. Регулярний огляд, регулювання або ремонт ріжучої насадки повинен проводитися авторизованим сервісним центром.
  - Продуктивність ріжучої насадки збільшується.
  - Строк служби ріжучої насадки збільшується.
  - Небезпека виникнення нещасних випадків зменшується.
- Використовуйте лише сертифікований захисний кожух ріжучої насадки. Докладніше див. *Аксесуари на сторінці 358.*
- Не використовуйте пошкоджену ріжучу насадку.

### Заходи безпеки під час роботи з паливом



**ПОПЕРЕДЖЕННЯ:** Перш ніж розпочати використання виробу, уважно прочитайте наведені нижче попередження.

- Не змішуйте паливо в приміщеннях або біля джерел тепла.
- Не запускайте виріб, якщо на ньому залишилося пальне або моторна олива. Приберіть непотрібне пальне/оливу та дайте виробу просохнути. Приберіть непотрібне пальне з виробу.
- Якщо ви пролили пальне на свій одяг, негайно переодягніться.

- Не допускайте потрапляння пального на тіло, адже це може призвести до травм. Для видалення пального, що потрапило на тіло, використовуйте мило та воду.
- Не запускайте двигун у разі потрапляння оливи або пального на виріб або тіло.
- Не запускайте виріб у разі наявності протікання у двигуні. Регулярно перевіряйте двигун на протікання.
- Будьте обережні при поводженні з паливом. Пальне є легкозаймистою речовиною, а його пари вибухонебезпечні та можуть призвести до травм або смерті.
- Не вдихайте вихлопні гази, це може призвести до травм. Забезпечте належне провітрювання.
- Не паліть біля пального або двигуна.
- Не кладіть біля пального або двигуна теплі предмети.
- Не доливайте пальне в працюючий виріб.
- Перед заправленням переконайтеся, що двигун охолонув.
- Перед заправленням повільно відкрийте кришку паливного бака, обережно зменшивши тиск.
- Не заправляйте виріб у приміщенні. Недостатнє провітрювання може призвести до травм або смерті внаслідок задухи чи отруєння монооксидом вуглецю.
- Обережно затягуйте кришку паливного бака, адже існує ризик виникнення пожежі.
- Перед запуском пересуньте виріб на 3 м від місця, де ви заправляли його.
- Не заливайте в паливний бак занадто багато палива.
- Переконайтеся у відсутності ризику протікань під час переміщення виробу або ємності для пального.
- Не залишайте виріб або ємність для пального біля відкритого вогню, джерела іскор або запальника. Переконайтеся, що в зоні зберігання відсутні джерела відкритого вогню.
- Під час переміщення або зберігання палива користуйтеся лише сертифікованими ємностями.
- Спустошуйте паливний бак перед тривалим зберіганням. Дотримуйтеся місцевого законодавства щодо утилізації пального.
- Очищуйте виріб перед тривалим зберіганням.
- Щоб двигун випадково не запустився, перед зберіганням необхідно зняти кабель свічки запалювання.

### Правила техніки безпеки під час обслуговування



**ПОПЕРЕДЖЕННЯ:** Перш ніж розпочати технічне обслуговування виробу, уважно прочитайте наведені нижче попередження.

- Виконуйте лише ті види технічного обслуговування, які описано в цьому посібнику користувача. Усі інші операції з технічного обслуговування та ремонту мають виконуватися кваліфікованими спеціалістами з обслуговування.
- Дотримуйтеся вимог щодо перевірок безпеки, а також вказівок із догляду й обслуговування, наведених у цьому посібнику. Регулярне технічне обслуговування підвищує термін служби виробу

та зменшує небезпеку виникнення нещасних випадків. Інструкції див. у розділі *Графік технічного обслуговування на сторінці 355*.

- Якщо після технічного обслуговування виріб не пройде перевірку, наведену в цьому посібнику користувача, зверніться до свого дилера з обслуговування. Ми гарантуємо можливість професійного ремонту й обслуговування вашого виробу.

## Збирання

### Вступ



**ПОПЕРЕДЖЕННЯ:** Перед монтажем виробу обов'язково прочитайте й усвідомте зміст розділу про заходи безпеки.



**ПОПЕРЕДЖЕННЯ:** Перед збиранням виробу необхідно від'єднати кабель від свічки запалювання.

### Монтаж петельного тримача

1. Установіть петельний тримач між стрілками на валу.
2. Затягніть болт, щоб закріпити петельний тримач на валу. (Мал. 22)

### Монтаж ріжучої насадки

#### Монтаж захисного кожуха ріжучої насадки

1. Установіть захисний кожух ріжучої насадки (А) на вал. (Мал. 23)

2. Вставте кріпильну скобу (В) в паз на захисному кожусі ріжучої насадки.
3. Вставте болт (С) в отвір кріпильної скоби захисного кожуха ріжучої насадки.

#### Приєднання головки тримера

1. Переконайтеся, що на пристрій встановлено захисний кожух ріжучої насадки (А). Див. *Монтаж захисного кожуха ріжучої насадки на сторінці 352*. (Мал. 24)
2. Переконайтеся, що приводний диск (С) встановлено на вихідний вал (D).
3. Вставте зіркоподібний ключ (В) в отвір, щоб зафіксувати вал.
4. Установіть головку тримера (Е) на вихідний вал.
5. Повертайте головку тримера проти годинникової стрілки, щоб зафіксувати її на вихідному валу. (Мал. 25)
6. Витягніть зіркоподібний ключ.

## Експлуатація

### Вступ



**ПОПЕРЕДЖЕННЯ:** Перед експлуатацією виробу обов'язково прочитайте й усвідомте зміст розділу про заходи безпеки.

### Паливо

Цей виріб оснащений двотактним двигуном.



**УВАГА:** Заправлення паливом невідповідного типу може призвести до пошкодження двигуна. Використовуйте суміш бензину й масла для двотактних двигунів.

### Попередньо змішане паливо

- Для найкращої продуктивності та подовження терміну служби двигуна використовуйте високоякісне попередньо змішане алклатне паливо Husqvarna. Це паливо містить менш шкідливі хімічні речовини порівняно зі звичайним. Завдяки цьому зменшується шкідливий вплив вихлопних димів. Кількість залишків після згорання цього палива менша, завдяки чому компоненти двигуна залишаються більш чистими.

### Змішування палива

#### Бензин



**УВАГА:** Не використовуйте бензин із октановим числом нижче 90 RON (87 AKI). Це може призвести до пошкодження виробу.





**УВАГА:** Не використовуйте бензин із концентрацією етанолу більше 10% (E10). Це може призвести до пошкодження виробу.

- Завжди використовуйте новий неетилований бензин з мінімальним октановим числом 90 RON (87 АКІ) та концентрацією етанолу менше 10% (E10).
- У разі частого використання виробу з високою частотою обертання двигуна, необхідно використовувати бензин з вищим октановим числом.

#### Масло для двотактних двигунів

- Для досягнення найкращих результатів і продуктивності використовуйте масло Husqvarna для двотактних двигунів.
- Якщо масла Husqvarna для двотактних двигунів немає, використовуйте інше високоякісне масло для двотактних двигунів із повітряним охолодженням. Щоб вибрати правильне масло, зверніться до свого дилера з обслуговування.



**УВАГА:** Не використовуйте оливу для двотактних двигунів із водяним охолодженням, яку також називають зовнішньою оливою. Не використовуйте масло для чотирьохтактних двигунів.

#### Змішування бензину та оливи для двотактних двигунів

Бензин, л	Масло для двотактних двигунів, л
	<b>2 % (50:1)</b>
5	0,10
10	0,20
15	0,30
20	0,40



**УВАГА:** У разі змішування невеликої кількості палива навіть незначні неточності можуть значно вплинути на пропорцію суміші. Щоб отримати правильну суміш, точно вимірюйте кількість масла.

(Мал. 26)

1. Влийте половину об'єму бензину в чистий резервуар для палива.
2. Додайте всю оливу.

3. Перемішайте паливну суміш.
4. Влийте решту бензину в резервуар.
5. Обережно перемішайте паливну суміш.



**УВАГА:** Не змішуйте за один раз палива більше, ніж необхідно на 1 місяць роботи.

#### Додавання палива

- Завжди використовуйте паливну ємність з антипропускним клапаном.
- Якщо на ємності знаходиться паливо, приберіть його та дайте ємності просохнути.
- Переконайтеся, що область навколо кришки паливного бака чиста.
- Перед додаванням паливної суміші в паливний бак збовтайте ємність з паливом.

#### Обкутання

- Протягом перших 10 годин роботи не давайте виробу тривалий час працювати за повністю відкритої дросельної заслінки без навантаження.

## Запуск і зупинення роботи

### Перевірка перед запуском

1. Перевірте виріб на предмет відсутніх, пошкоджених, погано закріплених або зношених деталей.
2. Переконайтеся, що всі гайки, гвинти та болти надійно затягнуті.
3. Переконайтеся, що головку тримера не пошкоджено.
4. Переконайтеся, що повітряний фільтр чистий.
5. Переконайтеся у справності захисних механізмів виробу.
6. Переконайтеся у відсутності витоків палива з пристрою.

### Запуск холодного двигуна

1. Натисніть кнопку продувки повітрям 10 разів. (Мал. 27)
2. Потягніть важіль заслінки вгору. (Мал. 28)
3. Лівою рукою притисніть корпус виробу до землі. (Мал. 29) Не наступіть на виріб. Повільно потягніть за ручку троса стартера доки не відчуєте спротив. Після цього силою потягніть за ручку троса стартера.

**Зверніть увагу:** Не тягніть курок газу під час запуску двигуна.

4. Продовжуйте тягнути за ручку троса стартера доки двигун не запуститься або не намагатиметься запуститися (макс. 3 рази). Якщо двигун запускається або намагається запуститися, натисніть на важіль повітряної

шторки вниз. Продовжуйте тягнути доки двигун не запуститься. Після запуску заждіть 60 секунд, після чого натискайте на курок газу.



**УВАГА:** Не тягніть трос стартера, доки виріб не зупиниться. Не відпускайте трос стартера, коли він повністю витягнутий. Відпускайте трос стартера повільно. Невиконання цих інструкцій може призвести до пошкодження двигуна.

## Запуск теплового двигуна

1. Натисніть кнопку продувки повітрям 10 разів.
2. Потягніть трос стартера до тих пір, поки двигун не запрацює.

## Запуск двигуна з надто гарячим паливом

Якщо двигун не запускається, паливо може бути надто гарячим.

**Зверніть увагу:** Завжди використовуйте нове паливо й зменшуйте тривалість роботи за теплої погоди.

1. Покладіть виріб у прохолодне місце, подалі від прямих сонячних променів.
2. Зачекайте принаймні 20 хвилин, доки виріб охолоне.
3. Натискайте кнопку продувки повітрям без зупинки протягом 10–15 секунд.
4. Виконайте процедуру запуску холодного двигуна. Див. *Запуск холодного двигуна на сторінці 353.*

## Зупинення

- Для зупинки двигуна натисніть вимикач. (Мал. 30)

**Зверніть увагу:** Вимикач автоматично повертається до початкового положення.

## Експлуатація тримера



**УВАГА:** Після кожного використання зменшуйте швидкість двигуна до холостого ходу. Тривала робота на повних оборотах без навантаження на двигун може призвести до пошкодження двигуна.

**Зверніть увагу:** У разі встановлення нової нитки необхідно очистити кришку голівки тримера, щоб

уникнути подальших вібрацій. Огляньте інші деталі голівки тримера та за необхідності очистіть їх.

## Підстригання трави

1. Тримайте голівку тримера під кутом безпосередньо над землею. Не вдавлийте нитку тримера в траву. (Мал. 31)
2. Зменште довжину нитки тримера на 10–12 см / 4–4,75 дюйма.
3. Зменште частоту обертання двигуна, щоб зменшити ризик пошкодження рослин.
4. Під час зрізання трави поблизу предметів використовуйте 80 % потужності. (Мал. 32)

## Зрізання трави

1. Під час зрізання трави нитка тримера має бути паралельна землі. (Мал. 33)
2. Не вдавлийте голівку тримера в землю. Існує ризик пошкодження землі та виробу.
3. Не дозволяйте голівці тримера постійно торкатися землі, адже це може призвести до її пошкодження.
4. Під час переміщення виробу зі сторони в сторону для зрізання трави використовуйте повну потужність. Переконайтеся, що нитка тримера знаходиться паралельно землі. (Мал. 34)

## Головка тримера

- Для зменшення вібрації переконайтеся, що нитка тримера намотана на барабан щільно та рівномірно.
- Використовуйте лише сертифіковані головки та нитки косарки. Див. *Аксесуари на сторінці 358.*
- Слідкуйте за правильною довжиною нитки косарки. Для роботи з великою довжиною нитки використовується більше потужності двигуна, ніж з малою.
- Переконайтеся, що ніж на кожусі ріжучої насадки не пошкоджений.
- Перед встановленням нитки на виріб, необхідно вимочити її у воді протягом двох днів. Це збільшить строк служби нитки.

## Заміна нитки тримера

- (Мал. 35)
- (Мал. 36)
- (Мал. 37)
- (Мал. 38)
- (Мал. 39)
- (Мал. 40)
- (Мал. 41)
- (Мал. 42)

# ТЕХНІЧНЕ ОБСЛУГОВУВАННЯ

## Вступ



**ПОПЕРЕДЖЕННЯ:** Перед виконанням робіт із технічного обслуговування обов'язково прочитайте й усвідомте зміст розділу про заходи безпеки.

Для всіх робіт з обслуговування та ремонту необхідна спеціальна підготовка. Ми гарантуємо доступність послуг із професійного ремонту та обслуговування. Якщо ваш дилер не є одночасно центром обслуговування, зверніться до нього по інформацію щодо найближчого центру обслуговування.

## Графік технічного обслуговування

### Щотижневе технічне обслуговування

- Очищення зовнішніх поверхонь.
- Переконайтеся, що ріжуча насадка не рухається на холостому ходу. Див. *Налаштування швидкості холостого ходу на сторінці 355.*
- Перевірте рівень мастила в кінчій зубчастій передачі. Див. *Змащування кінчій зубчастої передачі на сторінці 356.*

### Щомісячне технічне обслуговування

- Переконайтеся, що ручка троса стартера й трос стартера не пошкоджені.

### Щорічне обслуговування

- Перевірка свічки запалювання. Див. *Перевірка свічки запалювання на сторінці 355*
- Очищення зовнішніх поверхонь карбюратора та прилеглих до нього ділянок.
- Очищення системи охолодження.
- Перевірка іскрогасника. Див. *Технічне обслуговування іскрогасника на сторінці 355.*
- Перевірка паливного фільтра.
- Перевірте шланг подачі пального на наявність пошкоджень.
- Перевірте кабелі та з'єднання виробу на наявність пошкоджень.

## Налаштування швидкості холостого ходу

- Перед налаштуванням швидкості холостого ходу переконайтеся, що повітряний фільтр чистий, а кришка повітряного фільтра встановлена.
- Налаштуйте швидкість холостого ходу за допомогою регульовального гвинта Т, який позначений літерою «Т».
- Швидкість холостого ходу відрегульована правильно, якщо двигун працює рівномірно в будь-якому положенні. Швидкість холостого ходу

повинна бути нижчою від швидкості, на якій починає обертатися насадка.

1. Повертайте гвинт регулювання холостого ходу за годинниковою стрілкою, поки ріжуча насадка не почне обертатися. (Мал. 43)
2. Повертайте гвинт регулювання холостого ходу проти годинникової стрілки, поки ріжуча насадка не зупиниться.

## Технічне обслуговування іскрогасника

Для очищення іскрогасника використовуйте дріт'яну щітку. (Мал. 44)

## Очищення системи охолодження

Очищуйте елементи системи охолодження за допомогою щітки.

(Мал. 45)

## Перевірка свічки запалювання



**УВАГА:** Використовуйте лише рекомендовані свічки запалювання. Переконайтеся, що заміна буде відбуватися на такі ж самі деталі, що були поставлені виробником. Неправильна свічка запалювання може призвести до пошкодження виробу.

1. Перевіряйте свічку запалювання коли:
  - a) потужність двигуна низька.
  - b) двигун важко завести.
  - c) двигун працює неправильно на холостому ходу.
2. Якщо двигун важко запускається або працює, перевірте свічку запалювання на наявність зайвих предметів. Щоб зменшити ризик потрапляння зайвих предметів на електроди свічки запалювання:
  - a) переконайтеся, що швидкість холостого ходу встановлено правильно.
  - b) переконайтеся в правильності змішування паливної суміші.
  - c) переконайтеся, що повітряний фільтр чистий.
3. Якщо свічка запалювання забруднена, почиствуйте її. Перевірте правильність проміжку між електродами. (Мал. 46)
4. За необхідності замініть свічку запалювання.

## Технічне обслуговування повітряного фільтра

## Очищення повітряного фільтра

1. Зніміть кришку повітряного фільтра та витягніть повітряний фільтр. (Мал. 47)
2. Чистити повітряний фільтр потрібно теплою мильною водою. Перед встановленням переконайтеся, що повітряний фільтр сухий.
3. Якщо повітряний фільтр надто брудний для очищення, замініть його. Пошкоджений повітряний фільтр необхідно замінювати обов'язково.
4. Якщо ваш виріб оснащений губчастим повітряним фільтром, використовуйте оливу для повітряних фільтрів. Оливу для повітряних фільтрів слід наносити лише на губчасті фільтри. Забороняється наносити оливу на фетровий фільтр.

## Нанесення оливи для повітряних фільтрів на фільтр



**УВАГА:** Для обслуговування губчастих фільтрів використовуйте лише спеціальну оливу для повітряних фільтрів. Не використовуйте інші типи оливи.



**ПОПЕРЕДЖЕННЯ:** Уникайте потрапляння оливи на тіло.

1. Зніміть кришку повітряного фільтра та витягніть повітряний фільтр. (Мал. 48)
2. Покладіть повітряний фільтр у пластиковий пакет.
3. Налийте в пластиковий пакет оливу для повітряних фільтрів. (Мал. 49)
4. Натисніть на пластиковий пакет щоб переконалися, що олива рівно розповсюдиться по всьому повітряному фільтру.
5. Поки фільтр знаходиться в пакеті, натисніть на нього щоб з нього вийшла непотрібна олива. Вийміть повітряний фільтр з пакета.
6. Установіть повітряний фільтр.

## Змащування конічної зубчастої передачі

Конічна зубчаста передача має бути заповнена мастилом для зубчастих передач на три чверті. (Мал. 50)

## Усунення несправностей

### Двигун не запускається

Перевірка	Можлива причина	Процес
Вимикач.	Вимикач перебуває в положенні STOP (Стоп).	Установіть вимикач у положення запуску.
Собачки стартера.	Собачки стартера не можуть вільно рухатися.	Зніміть кришку стартера й очистьте місце навколо собачок стартера. Зверніться по допомогу до уповноваженого центру обслуговування.
Паливний бак.	Неправильний тип палива.	Спорожніть паливний бак і залийте в нього правильний тип палива.
Свічка запалювання.	Свічка запалювання брудна або волога.	Переконайтеся, що свічка запалювання суха та чиста.
	Неправильний проміжок між електродами свічки запалювання.	Чищення свічки запалювання. Переконайтеся, що проміжок між електродами правильний. Переконайтеся, що свічка запалювання має обмежувач напруги. Інформація про коректний проміжок між електродами подається у розділі технічних даних.
	Свічка запалювання відкрутилася.	Закрутіть свічку запалювання.

## Двигун запускається, але вимикається

Перевірка	Можлива причина	Процес
Паливний бак	Неправильний тип палива.	Спорожніть паливний бак і залийте в нього правильний тип палива.
Повітряний фільтр	Засмічено повітряний фільтр.	Почистіть повітряний фільтр.

## Транспортування, зберігання й утилізація

### Транспортування та зберігання

- Перед транспортуванням чи зберіганням необхідно дати виробу охолонути.
- Перед тривалим зберіганням необхідно зняти ковпак зі свічки запалювання.
- Під час транспортування закріплюйте виріб. Переконайтеся, що виріб не рухатиметься під час транспортування.
- Переконайтеся, що ризик виникнення витоку палива, випарювань, іскор або вогню під час транспортування й зберігання відсутній.
- Перед тривалим зберіганням виріб необхідно промити й провести технічне обслуговування.

## Технічні характеристики

### Технічні характеристики

	<b>325L</b> <b>A05328CSHV</b>
<b>Двигун</b>	
Об'єм циліндра, см <sup>3</sup>	27,6
Холостий хід, об/хв	2800-3200
Рекомендована максимальна частота обертання, об/хв	8000
Потужність / макс. потужність двигуна відповідно до ISO 8893, кВт / к. с. (оберти)	0,9/1,2 при 8000
Глушник з каталітичним конвертером	Так
Швидкість обертання вихідного валу, об./хв.	7200
<b>Система запалювання</b>	
Свічка запалення	Husqvarna HQT-4
Зазор між електродами, мм	0,5
<b>Паливна система</b>	
Ємність паливного бака, л / см <sup>3</sup>	0,343 / 343
<b>Розміри виробу</b>	
Вага без різального обладнання, кг	5,0

	<b>325L</b> <b>A05328CSHV</b>
<b>Випромінювання шуму<sup>82</sup></b>	
Гарантований рівень звукової потужності ( $L_{WA}$ ), дБ(A)	114
Вимірний рівень звукової потужності, дБ (A)	110
<b>Рівні звуку<sup>83</sup></b>	
Рівень звукового тиску на слухові органи оператора з головкою тримера, дБ(A)	93
<b>Рівні вібрації<sup>84</sup></b>	
Еквівалент рівня вібрації ( $a_{hv}$ , eq), з головкою тримера, ліва ручка, $m/c^2$	4,2
Еквівалент рівня вібрації ( $a_{hv}$ , eq), з головкою тримера, права ручка, $m/c^2$	6,1

## Акcesуари

### Акcesуари

Схвалені акcesуари	Тип	Захисний кожух ріжучої насадки
Нарізний вал	M10L	
Головка тримера	T35, Ø 2,4 мм	588 54 37-01

<sup>82</sup> Випромінювання шуму в середовище, виміряне як звукова потужність ( $L_{WA}$ ), відповідає директиві ЄС 2000/14/ЄС. Зазначений рівень звукової потужності виробу був вимірний із оригінальним різальним устаткуванням, що дає найвищий рівень. Різниця між гарантованим і вимірюваним рівнем звукової потужності полягає в тому, що гарантована звукова потужність включає також дисперсію результатів вимірювання та відмінності між різними виробами тієї самої моделі відповідно до Директиви 2000/14/ЄС.

<sup>83</sup> Представлені дані для еквівалентного рівня звукового тиску для виробу мають типову статистичну дисперсію (стандартне відхилення) в 1 дБ(A).

<sup>84</sup> Представлені дані про еквівалентний рівень вібрації мають типову статистичну дисперсію (стандартне відхилення) в  $1 m/c^2$ .

## Декларація відповідності ЄС

### Зміст декларації відповідності ЄС

Ми, Husqvarna AB, SE 561 82 м. Гускварна, Швеція, заявляємо під свою виключну відповідальність, що представлений виріб:

Опис	Бензиновий тример / Кущоріз
Бренд	Husqvarna
Платформа / Тип / Модель	Платформа A05328CSHV, представлена модель 325L
Партія	Серійні номери за 2018 рік і пізніше

повністю відповідає наступним директивам і нормам ЄС:

Директива/норма	Опис
2006/42/ЄС	«Про механічне обладнання»
2014/30/EU	«Про електромагнітну сумісність»
2000/14/ЄС	«Про випромінювання шуму від обладнання, призначеного для використання надворі»
2011/65/EU	«Про обмеження використання деяких небезпечних речовин»

Застосовуються наступні узгоджені стандарти й/або технічні специфікації: EN ISO 12100, EN ISO 11806-1, CISPR 12, ISO 14982, EN 50581:2012.

Згідно з директивою 2000/14/ЄС, додаток V, заявлені шумові характеристики зазначені в розділі технічних даних цього посібника та в підписаній декларації відповідності ЄС.

Компанія TÜV Rheinland N.A. виконала добровільну перевірку компанії Husqvarna AB та видала їй сертифікат відповідності нормам директиви Ради ЄС 2006/42/ЄС «Про машини та механізми».

Сертифікат, як зазначено в підписаній декларації відповідності ЄС, діє для всіх місць виробництва та країн-виробників, зазначених на виробі.

Бензиновий тример/кущоріз, що постачається, жодним чином не відрізняється від зразка, що пройшов випробування.



[www.husqvarna.com](http://www.husqvarna.com)

Original instructions  
Оригинални инструкции  
Originalna uputstva  
Původní pokyny  
Originale instruktioner  
Originalanweisungen  
Αρχικές οδηγίες  
Instrucciones originales  
Originaaljuhend  
Alkuperäiset ohjeet  
Instructions d'origine  
Originalne upute  
Eredeti útmutatás  
Istruzioni originali

Originalios instrukcijos  
Lietošanas pamācība  
Originale instructies  
Originale instruksjoner  
Oryginalne instrukcje  
Instruções originais  
Instruções iniciais  
Оригинальные инструкции  
Pôvodné pokyny  
Izvirna navodila  
Originalna uputstva  
Bruksanvisning i original  
Orjinal talimatlar  
Оригинальні інструкції

595960402



2018-10-23



## Free Manuals Download Website

<http://myh66.com>

<http://usermanuals.us>

<http://www.somanuals.com>

<http://www.4manuals.cc>

<http://www.manual-lib.com>

<http://www.404manual.com>

<http://www.luxmanual.com>

<http://aubethermostatmanual.com>

Golf course search by state

<http://golfingnear.com>

Email search by domain

<http://emailbydomain.com>

Auto manuals search

<http://auto.somanuals.com>

TV manuals search

<http://tv.somanuals.com>