



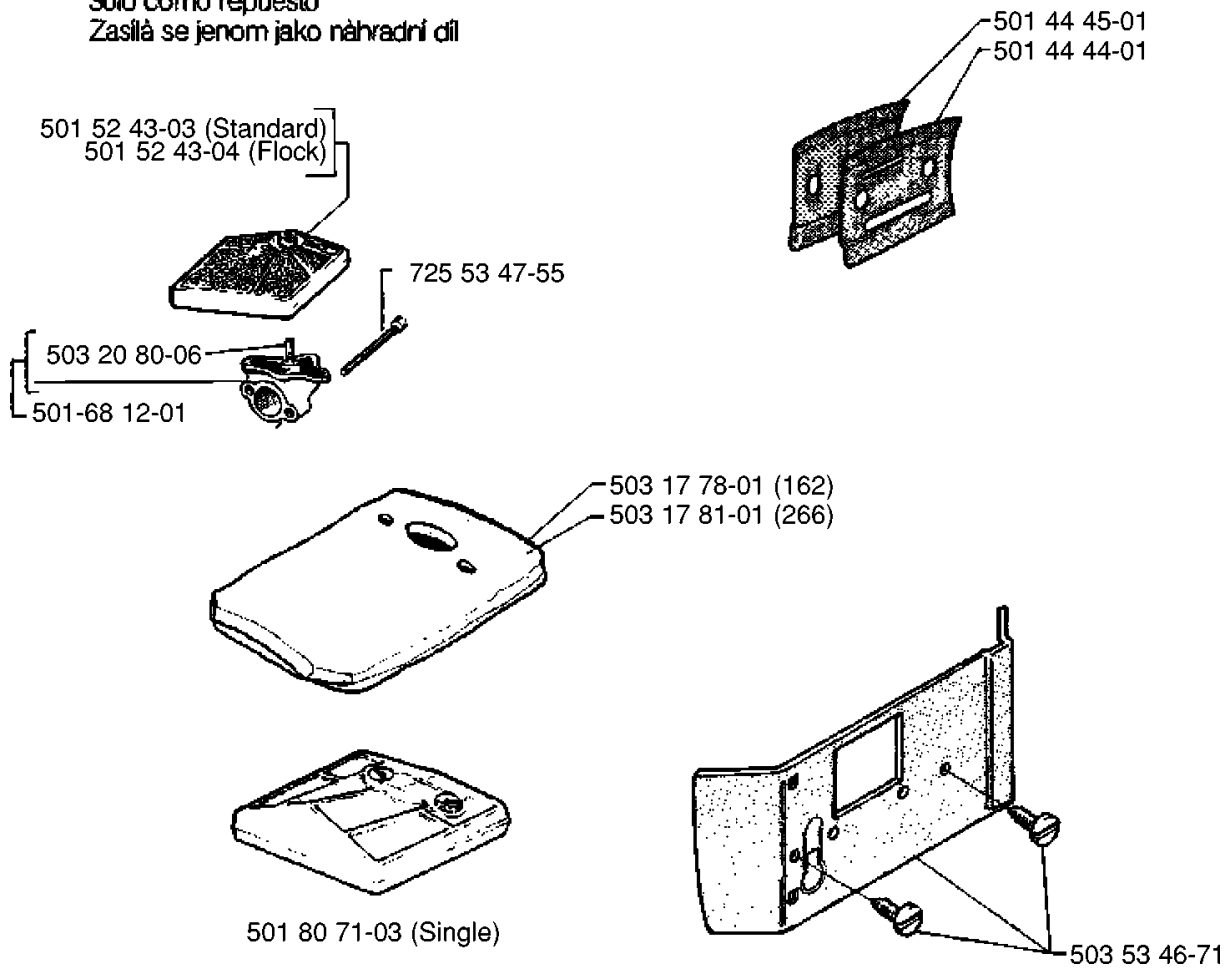
# SPARE PARTS LIST

CHAIN SAWS

266

**R**

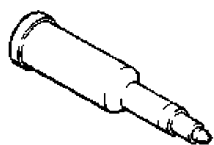
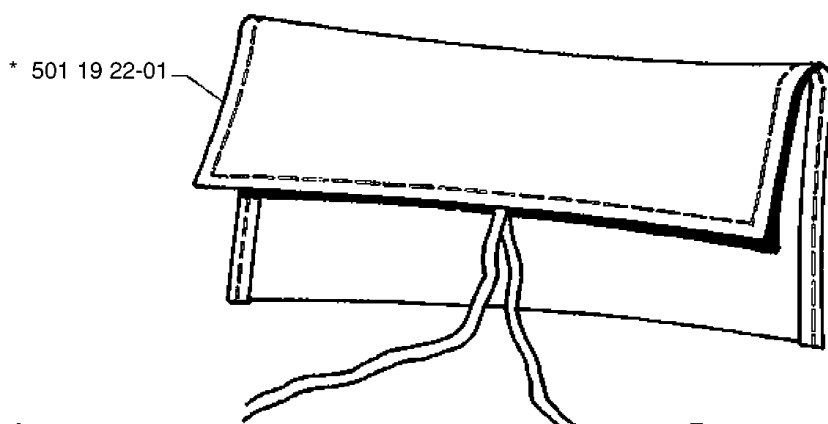
Leveras endast som reservdel  
 Delivery as spare part only  
 Nur als Ersatzteil lieferbar  
 Livrable seulement comme pièce de rechange  
 Solo como repuesto  
 Zasilá se jenom jako náhradní díl



Part No	Description	Remark	QTY KIT
501 44 44-01	GUIDE PLATE		1
501 44 45-01	GUIDE PLATE		1
501 52 43-03	AIR FILTER	STANDARD	1
501 52 43-04	AIR FILTER ASSY	FLOCK	1
501 68 12-01	FILTER HOLDER		1
501 80 71-03	AIR FILTER ASSY	SINGLE	1
503 17 78-01	PREFILTER SOCK	162	1
503 17 81-01	PREFILTER SOCK	266	1
503 20 80-06	SCREW PIN		1
503 53 46-71	WINTER COVER		1
725 53 47-55	SCREW IHSCM		1

**P** \* compl 501 67 33-02

**Tillbehör**  
**Accessories**  
**Zubehöre**  
**Accessoires**  
**Accesorios**  
**Pomůcky**



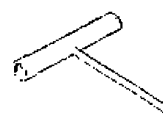
\* 501 91 14-01



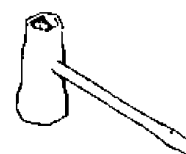
\* 503 62 12-01



\* 501 60 02-02



\* 501 68 89-01



\* 501 69 17-01

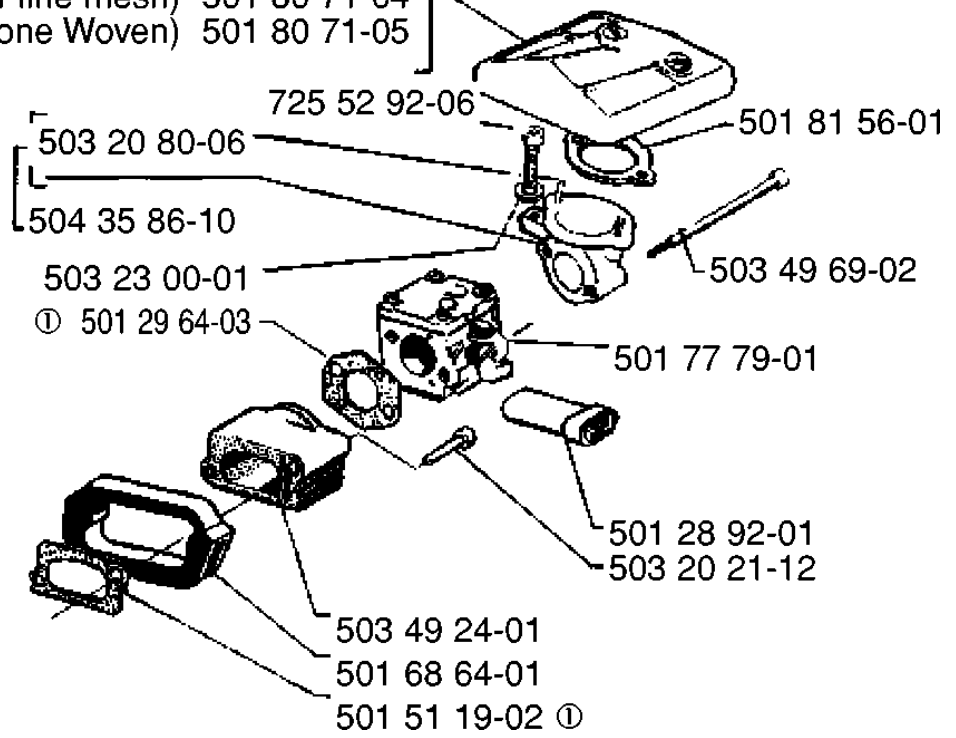
## ACCESSORIES

266

Part No	Description	Remark	QTY KIT
501 19 22-01	TOOL CASING		1
501 60 02-02	SCREWDRIVER		1
501 67 33-02	TOOL KIT		1
501 68 89-01	SLEEVE TOOL		1
501 69 17-01	COMBINATION WRENCH		1
501 91 14-01	GREASE GUN		1
503 62 12-01	GREASE		1

**D**

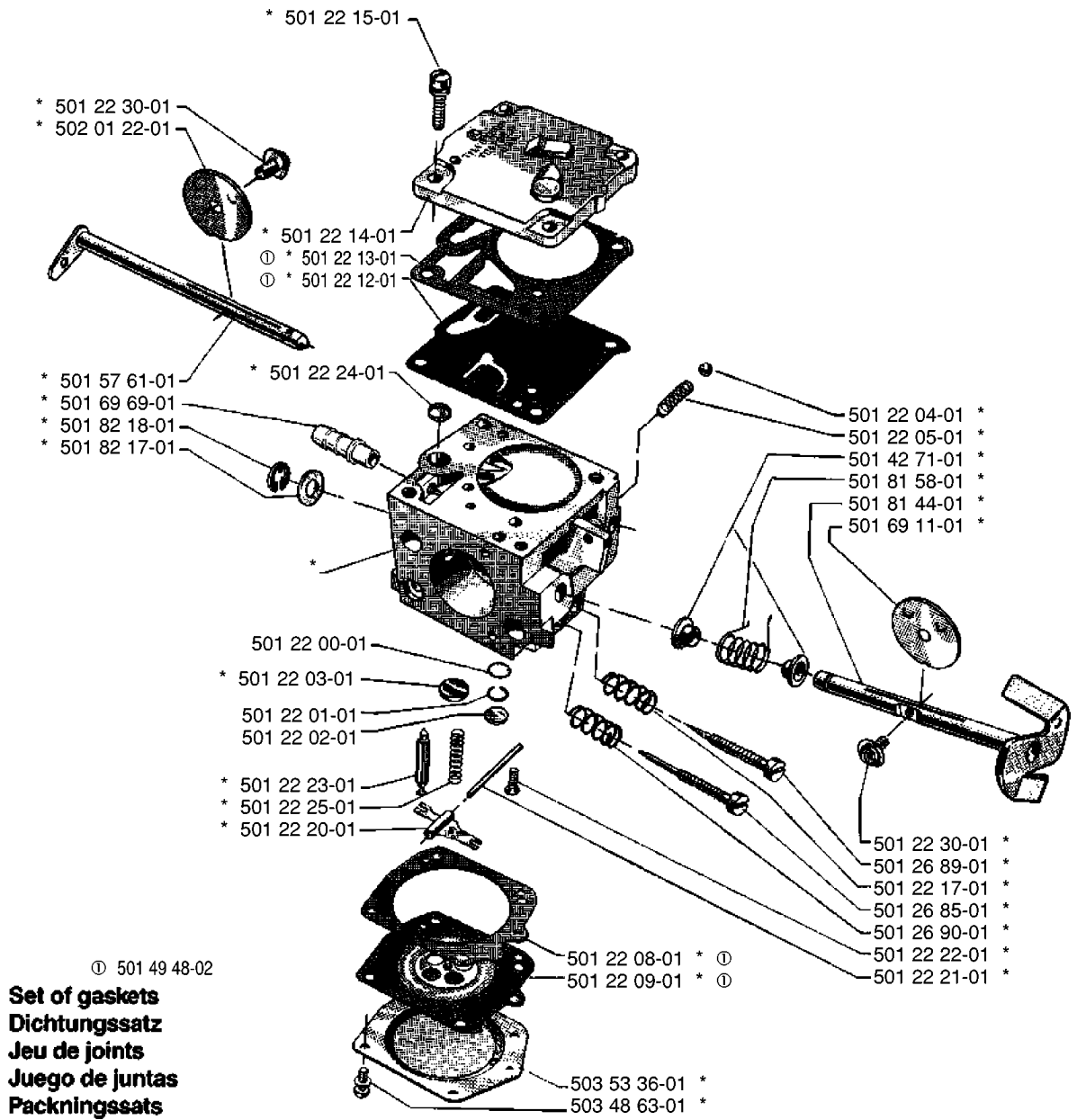
- (Nylon-medium mesh) 501 80 71-01
- (Nylon-fine mesh) 501 80 71-04
- (None Woven) 501 80 71-05



Part No	Description	Remark	QTY KIT
501 28 92-01	GUIDE BUSHING		1
501 29 64-03	GASKET		1
501 51 19-02	GASKET		1
501 68 64-01	SEALING COLLAR		1
501 77 79-01	CARBURETTOR		1
501 80 71-01	AIR FILTER ASSY	NYLON-MEDIUM MESH	1
501 80 71-04	AIR FILTER ASSY	NYLON-FINE MESH	1
501 80 71-05	AIR FILTER ASSY	NONE WOVEN	1
501 81 56-01	GASKET		1
503 20 21-12	SCREW IHSCM		1
503 20 80-06	SCREW PIN		1
503 23 00-01	WASHER		1
503 49 24-01	MANIFOLD		1
503 49 69-02	SCREW CARBURETTOR		1
504 35 86-10	FILTER HOLDER		1
725 52 92-06	SCREW		1

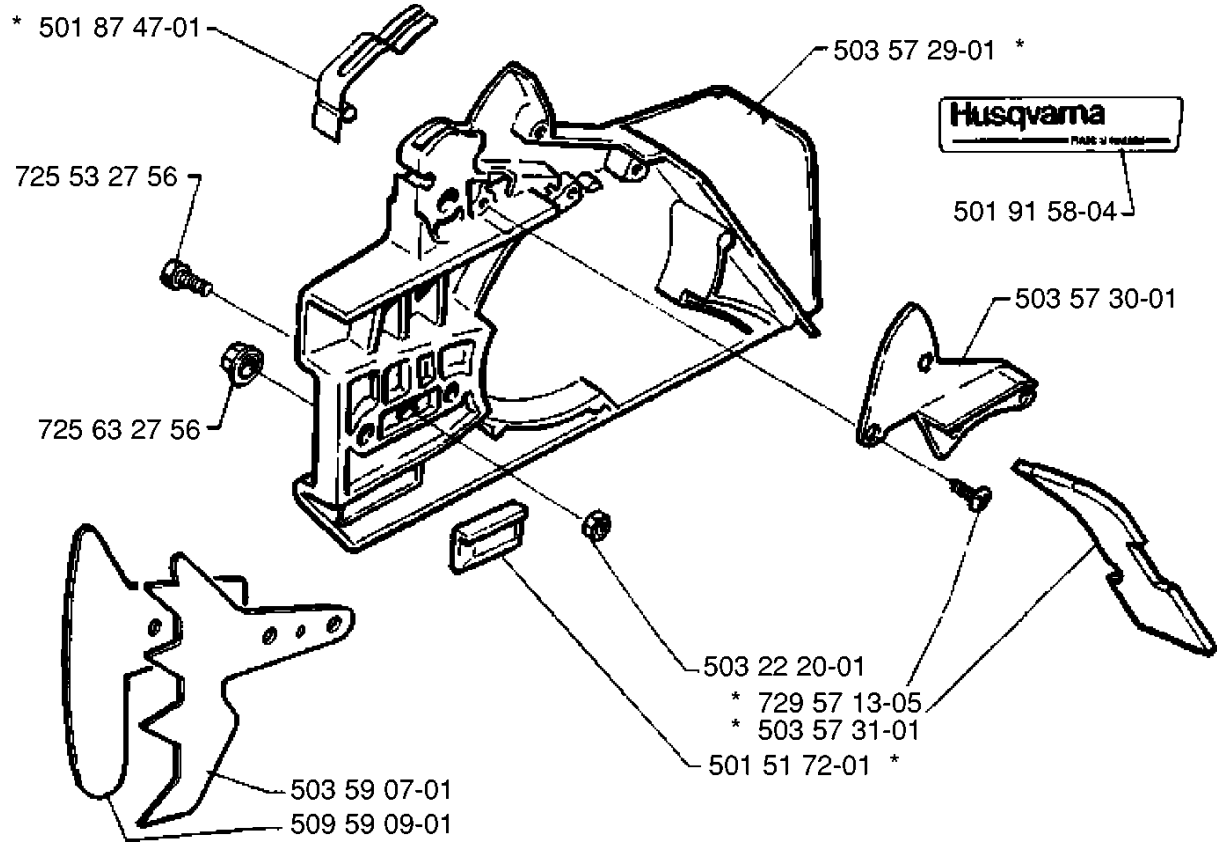
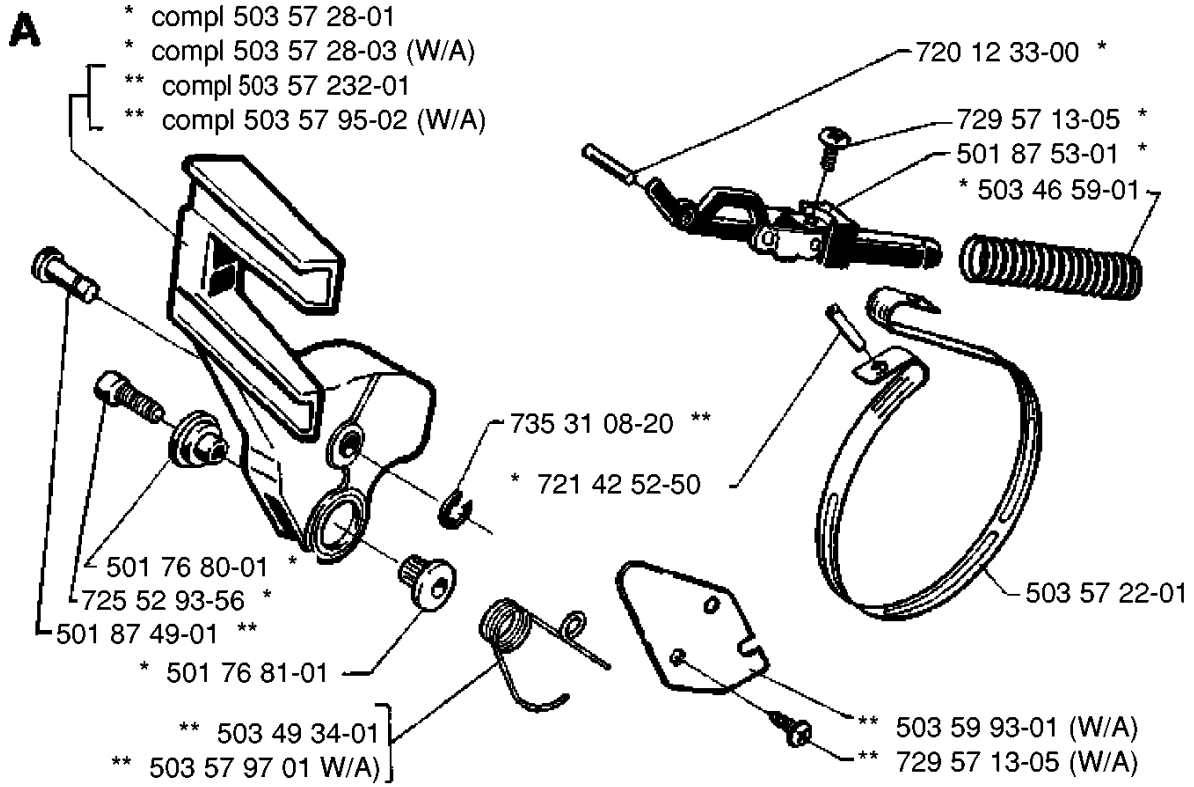
**N** \* compl 501 77 79-01

**Tillotson HS 224 A**



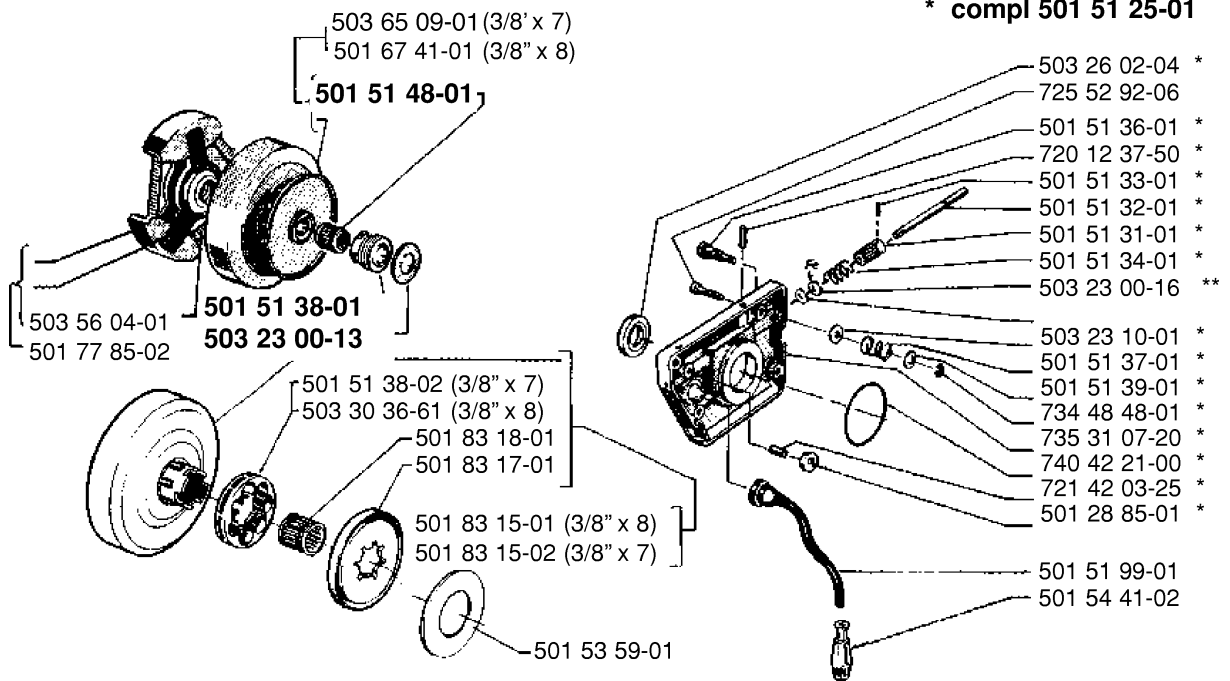


Part No	Description	Remark	QTY KIT
501 22 00-01	BODY CHANNEL SCREEN		1
501 22 01-01	RETAINING RING		1
501 22 02-01	PLUG WELCH		1
501 22 03-01	PLUG WELCH		1
501 22 04-01	CHOKE FRICTION BALL		1
501 22 05-01	SPRING		1
501 22 08-01	DIAPHRAGM GASKET	501 49 48-02 SET OF GASKETS	1
501 22 09-01	DIAPHRAGM	501 49 48-02 SET OF GASKETS	1
501 22 12-01	FUEL PUMP DIAPHRAM	501 49 48-02 SET OF GASKETS	1
501 22 13-01	FUEL PUMP GASKET	501 49 48-02 SET OF GASKETS	1
501 22 14-01	FUEL PUMP COVER		1
501 22 15-01	SCREW		1
501 22 17-01	MIXTURE SCREW SPRING		1
501 22 20-01	LEVER		1
501 22 21-01	PIN RETAINING SCREW		1
501 22 22-01	LOCK SCREW		1
501 22 23-01	NEEDLE		1
501 22 24-01	SCREEN		1
501 22 25-01	SPRING		1
501 22 30-01	SCREW&LOCKWASHER		1
501 22 30-01	SCREW&LOCKWASHER		1
501 26 85-01	IDLE MIXTURE SCREW		1
501 26 89-01	MAIN MIXTURE SCREW		1
501 26 90-01	MIXTURE SCREW SPRING		1
501 42 71-01	CHOKE SHAFT SLEEVE		1
501 57 61-01	CHOKE SHAFT		1
501 69 11-01	THROTTLE FLAP		1
501 69 69-01	FITTING-FUEL INLET		1
501 77 79-01	CARBURETTOR		1
501 81 44-01	TROTTELAXEL KPL.		1
501 81 58-01	RECOIL SPRING		1
501 82 17-01	THROTTLE SH.WASHER		1
501 82 18-01	THROTTLE SH."E"RING		1
502 01 22-01	CHOKE SHUTTER		1
503 48 63-01	SCREW		1
503 53 36-01	DIAPHRAGM COVER		1

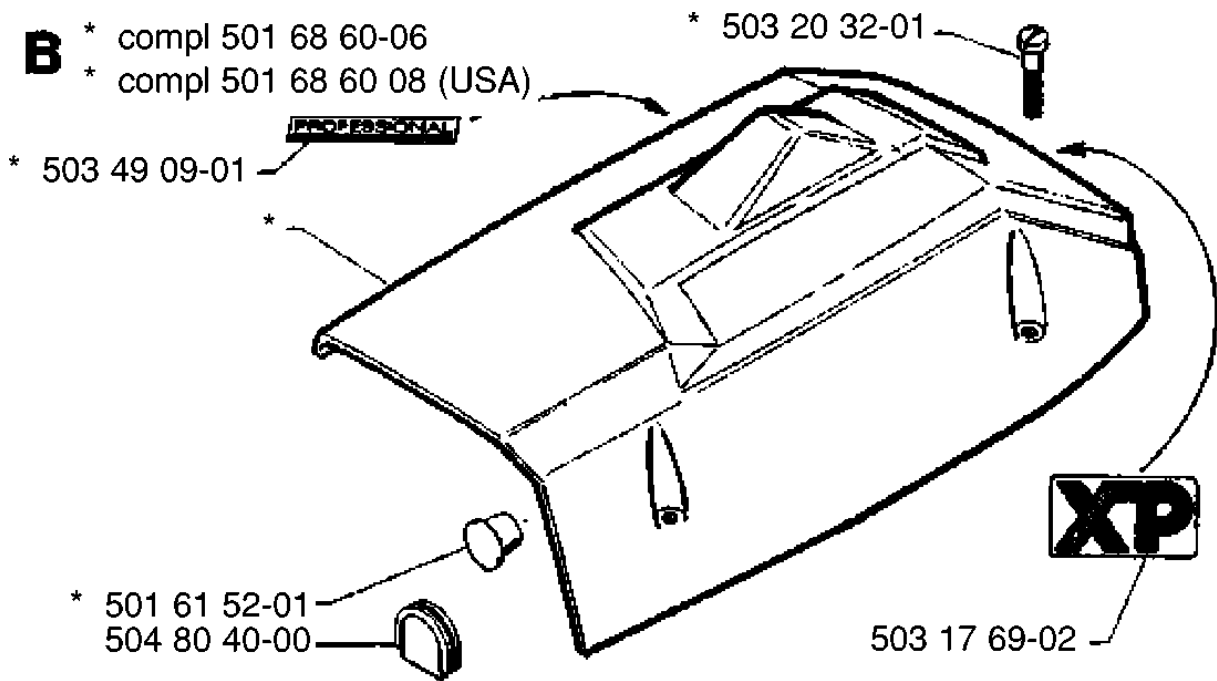


Ref	Part No	Description	Remark	QTY KIT
503 57 28-01	503 57 28-01	CLUTCH COVER ASSY		1
503 57 28-03	503 57 28-03	CLUTCH COVER ASSY	W/A	1
503 57 232-01	503 57 32-01	HAND GUARD ASSY		1
503 57 95-02	503 57 95-02	HAND GUARD ASSY	W/A	1
501 76 80-01	501 76 80-01	SHAFT PIVOT		1
725 52 93-56	725 52 93-56	SCREW IHSCM		1
501 87 49-01	501 87 49-01	PIVOT PIN		1
501 76 81-01	501 76 81-01	SHAFT PIVOT		1
503 49 34-01	503 49 34-01	POSITION SPRING		1
503 57 97-01	503 57 97-01	POSITION SPRING	W/A	1
501 87 47-01	501 87 47-01	SPRING		1
725 53 27-56	725 53 27-56	SCREW IHSCM		1
725 63 27-56	725 63 27-56			1
503 59 07-01	503 59 07-01	SPIKE OUTER		1
509 59 09-01	509 59 09-01			1
501 51 72-01	501 51 72-01	CHAIN GUIDE		1
503 57 31-01	503 57 31-01	CHIP GUARD		1
729 57 13-05	729 57 13-05	SCREW CRPANT		1
503 22 20-01	503 22 20-01	LOCKING NUT		1
503 57 30-01	503 57 30-01	LID		1
501 91 58-04	501 91 58-04	DECAL		1
503 57 29-01	503 57 29-01	CLUTCH COVER		1
729 57 13-05	729 57 13-05	SCREW CRPANT	W/A	1
503 59 93-01	503 59 93-01	HEAT PROTECTOR	W/A	1
503 57 22-01	503 57 22-01	BRAKE BAND		1
721 42 52-50	721 42 52-50	SPRING PIN		1
735 31 08-20	735 31 08-20	E-CLIP		1
503 46 59-01	503 46 59-01	BRAKE SPRING		1
501 87 53-01	501 87 53-01	KNEE JOINT ASSY		1
729 57 13-05	729 57 13-05	SCREW CRPANT		1
720 12 33-00	720 12 33-00	PARALLEL PIN		1

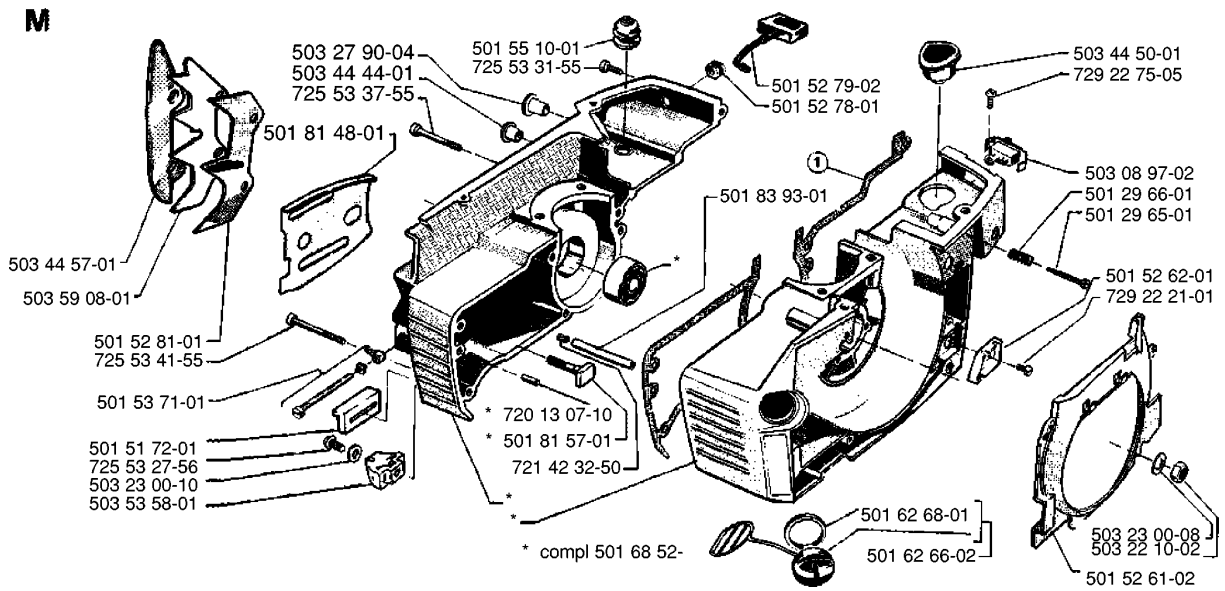
L



Part No	Description	Remark	QTY KIT
501 28 85-01	X-RING 2.9X6.46X1.78		1
501 51 25-01	OIL PUMP ASSY		1
501 51 31-01	GEAR WHEEL		1
501 51 32-01	SHAFT		1
501 51 33-01	STOP SCREW		1
501 51 34-01	SPRING		1
501 51 36-01	ADJUSTING SCREW		1
501 51 37-01	FIXING WASHER		1
501 51 38-01	GEAR WHEEL		1
501 51 38-02		3/8 X 7	1
501 51 39-01	SPRING		1
501 51 48-01	NEEDLE BEARING		1
501 51 99-01	OIL HOSE		1
501 53 59-01	WASHER		1
501 54 41-02	OIL SCREEN		1
501 67 41-01	CLUTCH DRUM	3/8 X 8	1
501 77 85-02	CENTRIFUGAL CLUTCH		1
501 83 15-01	CLUTCH DRUM ASSY	3/8 X 8	1
501 83 15-02	CLUTCH DRUM ASSY	3/8 X 7	1
501 83 17-01	GUIDE WASHER		1
501 83 18-01	NEEDLE BEARING		1
503 23 00-13	WASHER		1
503 23 00-16	WASHER		1
503 23 10-01	WASHER		1
503 26 02-04	SEALING RING		1
503 30 36-61		3/8 X 8	1
503 56 04-01	CLUTCH SPRING		1
503 65 09-01	CLUTCH DRUM	3/8 X 7	1
720 12 37-50	PARALLEL PIN		1
721 42 03-25	PINNE FRP-LS3X6 OXSV		1
725 52 92-06	SCREW		1
734 48 48-01	WASHER		1
735 31 07-20	E-CLIP		1
740 42 21-00	O-RING		1



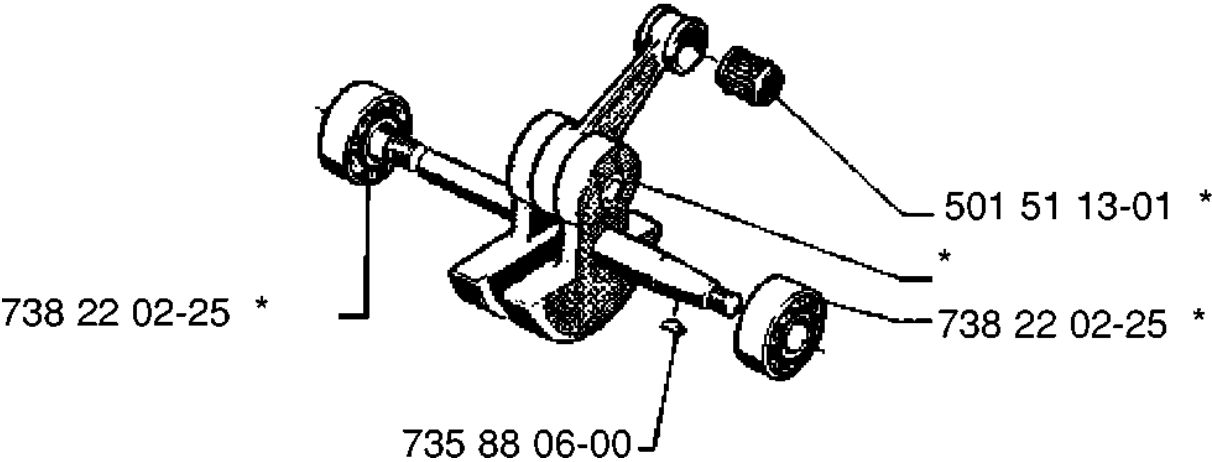
Part No	Description	Remark	QTY KIT
501 61 52-01	PLUG		1
501 68 60-06	CYLINDER COVER ASSY		1
501 68 60-08	CYLINDER COVER ASSY	USA	1
503 17 69-02	DECAL		1
503 20 32-01	SCREW CCRPANMO		1
503 49 09-01	GASKET		1
504 80 40-00	COVER		1





Part No	Description	Remark	QTY KIT
5 01 68-52			1
501 29 65-01	STÄLLSKRUV GASREGLA		1
501 29 66-01	SPRING		1
501 51 72-01	CHAIN GUIDE		1
501 52 61-02	AIR CONDUCTOR		1
501 52 62-01	INSULATING PIECE		1
501 52 78-01	GROMMET		1
501 52 79-02	CHOKE CONTROL		1
501 52 81-01	BARKSTØD		1
501 53 71-01	CHAIN TENSIONER KIT		1
501 55 10-01	SEALING		1
501 62 66-02	TANK CAP		1
501 62 68-01	GASKET		1
501 81 48-01	PROTECTIVE PLATE		1
501 81 57-01	BAR BOLT		1
501 83 93-01	OIL TANK VENT		1
503 08 97-02	STOP SWITCH		1
503 22 10-02	HEXAGON NUT		1
503 23 00-08	WASHER		1
503 23 00-10	WASHER		1
503 27 90-04	PLUG		1
503 44 44-01	BUSHING		1
503 44 50-01	BELLOWS		1
503 44 57-01	BARKSTØD		1
503 53 58-01	CHAIN CATCHER		1
503 59 08-01	INDRE BARKSTØD		1
720 13 07-10	PARALLEL PIN		1
721 42 32-50	SPRING PIN		1
725 53 27-56	SCREW IHSCM		1
725 53 31-55	SCREW IHSCM		1
725 53 37-55	SCREW IHSCM		1
725 53 41-55	SCREW IHSCM		1
729 22 21-01	SCREW SLPANT		1
729 22 75-05	SCREW SLPANT		1

**H** \* compl 501 52 84-02

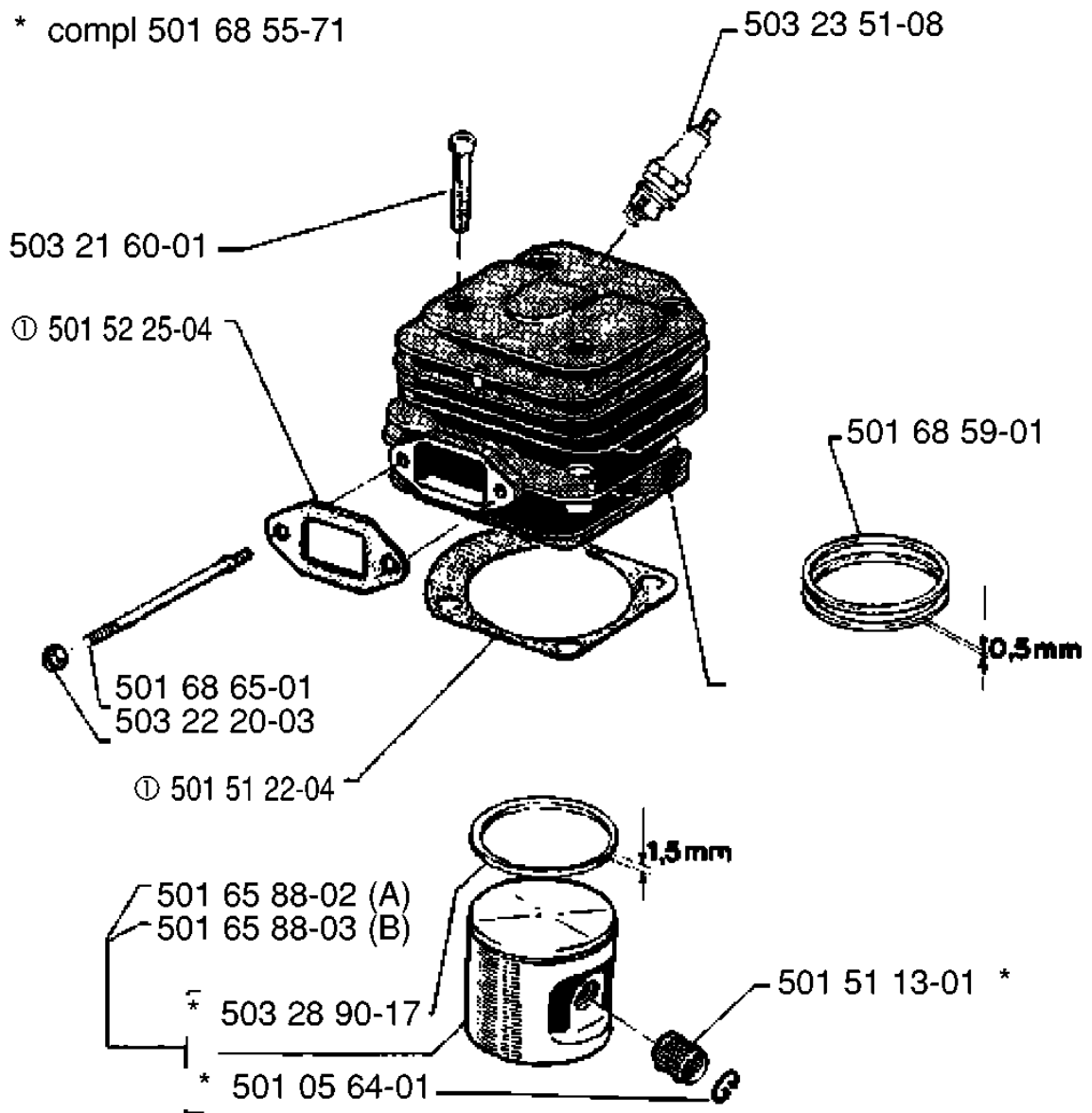


CRANKSHAFT

Part No	Description	Remark	QTY KIT
501 51 13-01	NEEDLE HOLDER		1
501 52 84-02	CRANKSHAFT		1
735 88 06-00	WOODRUFF KEY		1
738 22 02-25	BALL BEARING		1
738 22 02-25	BALL BEARING		1

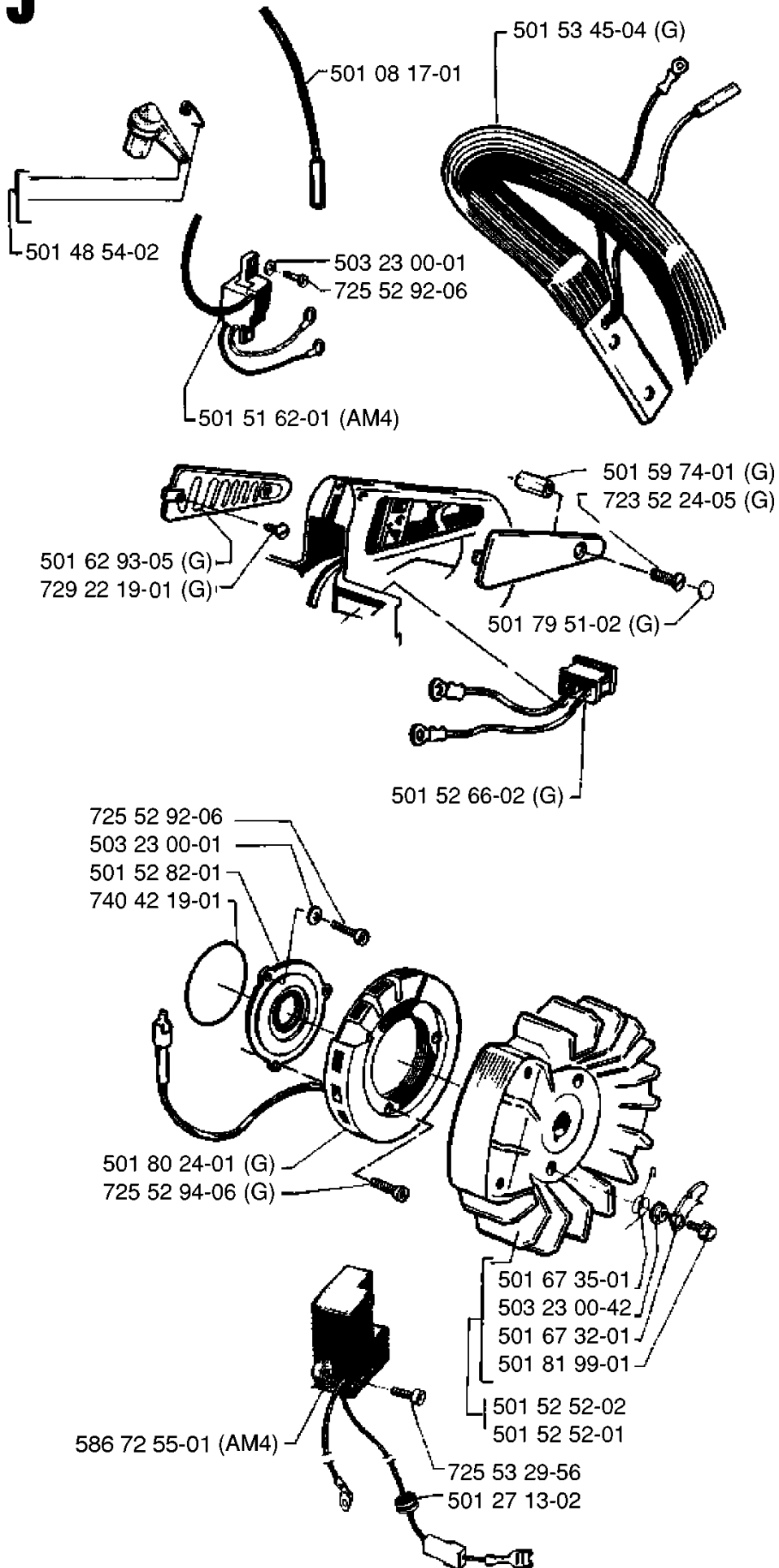
**C**

\* compl 501 68 55-71

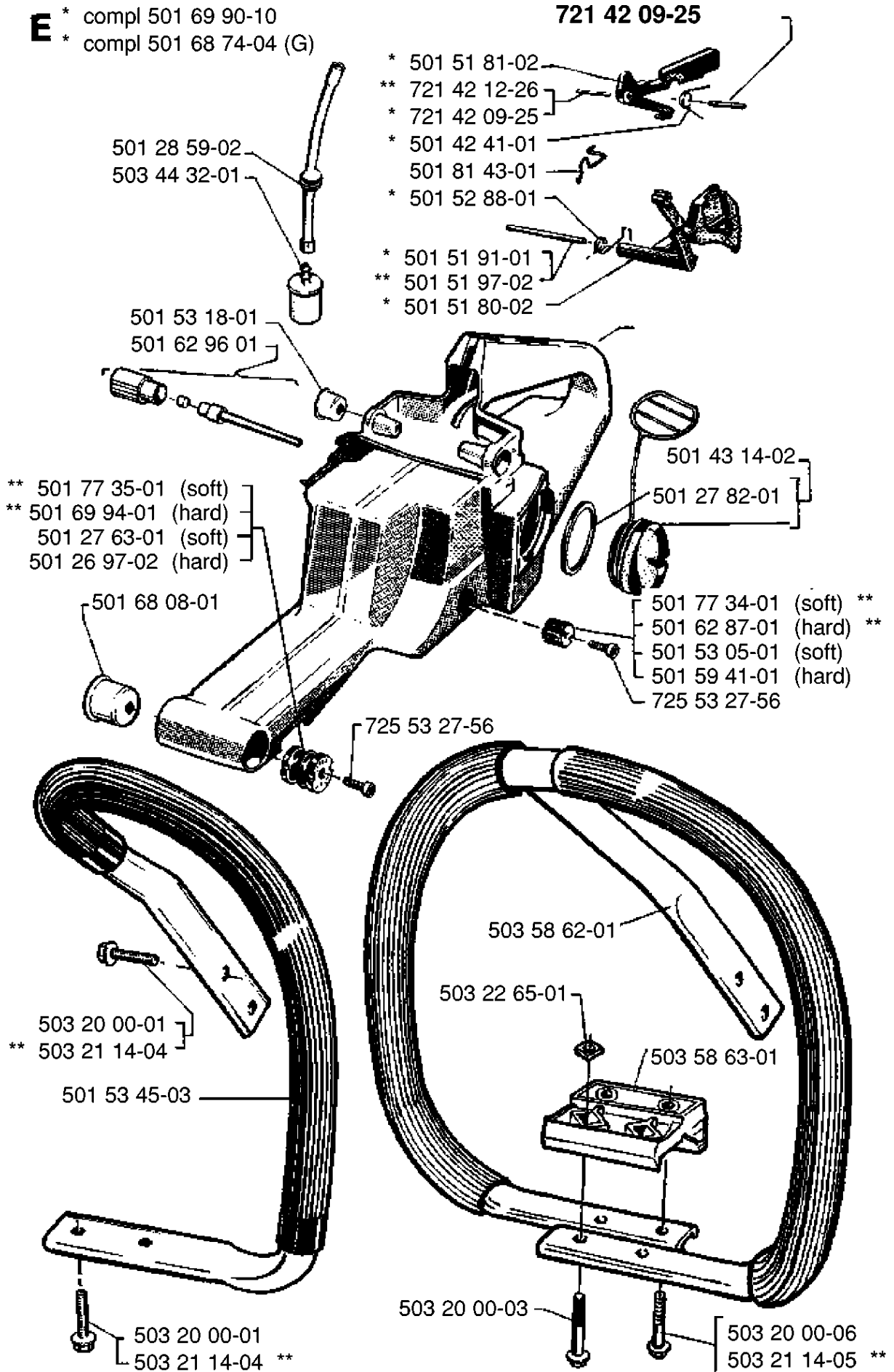


Part No	Description	Remark	QTY KIT
501 05 64-01	CIRCLIP		1
501 51 13-01	NEEDLE HOLDER		1
501 51 22-04	GASKET		1
501 52 25-04	GASKET MUFFLER		1
501 65 88-02	PISTON ASSY	A	1
501 65 88-03	PISTON ASSY	B	1
501 68 55-71	CYLINDER ASSY		1
501 68 59-01	PISTON RING		1
501 68 65-01	SCREW STUDS		1
503 21 60-01	SCREW		1
503 22 20-03	LOCKING NUT		1
503 23 51-08	SPARK PLUG		1
503 28 90-17	PISTON RING		1

**J**



Part No	Description	Remark	QTY KIT
501 08 17-01	IGNITION CABLE		1
501 27 13-02	CABLE GROMMET		1
501 48 54-02	SPARK PLUG CAP		1
501 51 62-01	IGNITION COIL	AM4	1
501 52 52-01	FLYWHEEL ASSY		1
501 52 52-02	FLYWHEEL ASSY		1
501 52 66-02	TOGGLE SWITCH ASSY	G	1
501 52 82-01	WASHER		1
501 53 45-04	FRONT HANDLE ASSY	G	1
501 59 74-01	SPACER	G	1
501 62 93-05	HANDLE INSERT HEAT	G	1
501 67 32-01	PAWL		1
501 67 35-01	SPRING		1
501 79 51-02	COVER WASHER	G	1
501 80 24-01	STATOR ASSY	G	1
501 81 99-01	SCREW		1
503 23 00-01	WASHER		1
503 23 00-01	WASHER		1
503 23 00-42	WASHER		1
586 72 55-01	KIT		1
723 52 24-05	SCREW SLCSFM	G	1
725 52 92-06	SCREW		1
725 52 92-06	SCREW		1
725 52 94-06	SCREW	G	1
725 53 29-56	SCREW IHSCM		1
729 22 19-01	SCREW	G	1
740 42 19-01			1

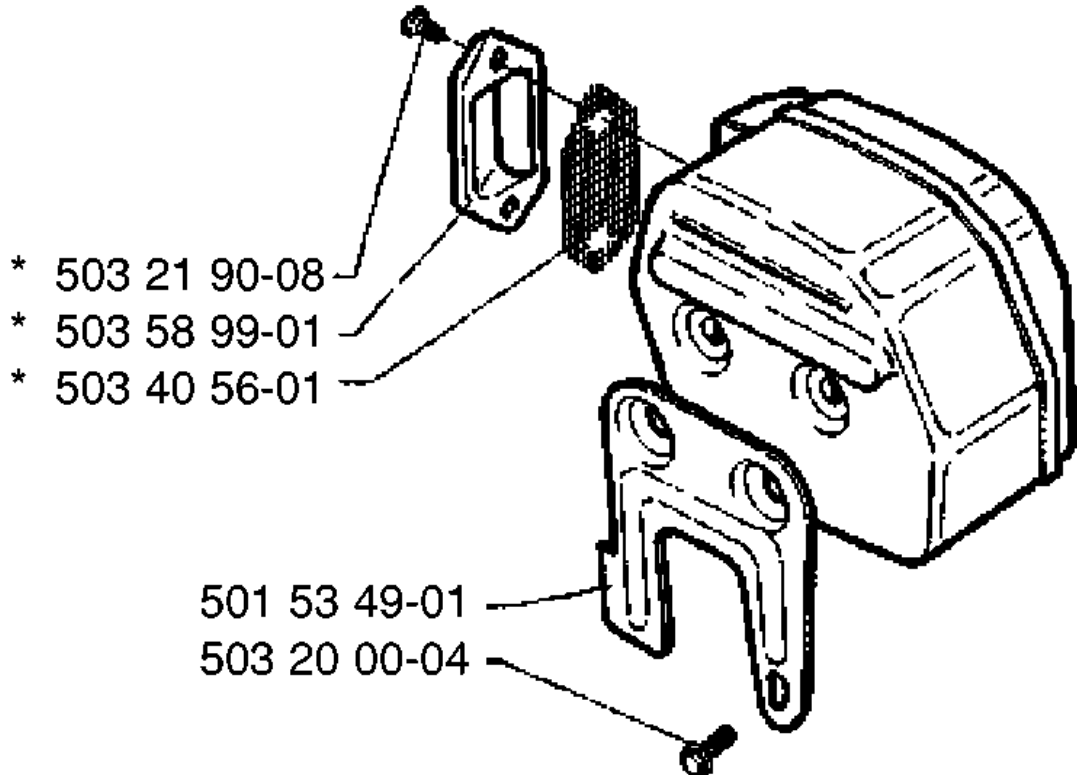




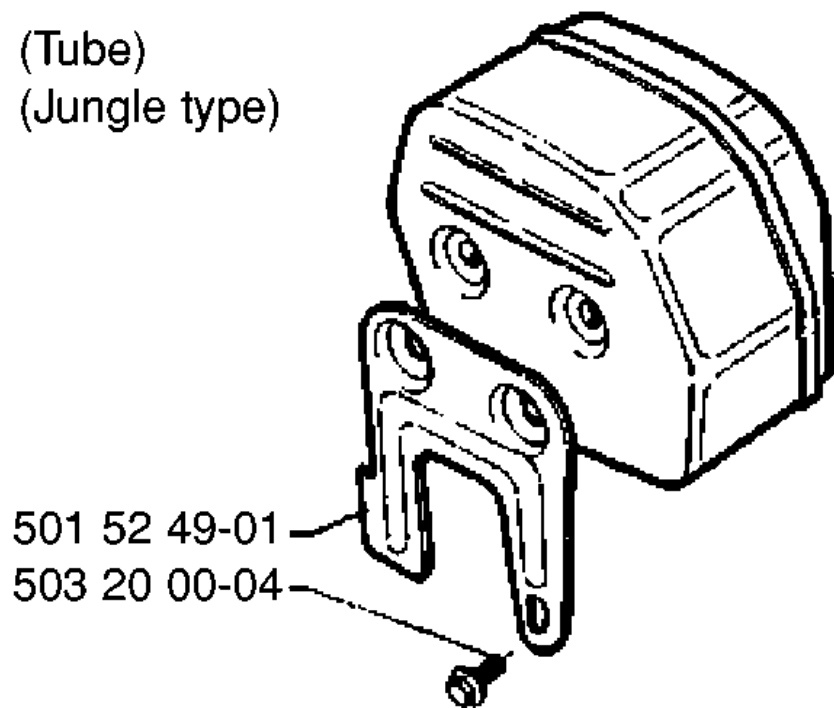
Part No	Description	Remark	QTY KIT
501 26 97-02	ANTIVIBRATION ELEMENT	HARD	1
501 27 63-01	ANTIVIBRATION ELEMENT	SOFT	1
501 27 82-01	GASKET		1
501 28 59-02	FUEL HOSE		1
501 42 41-01	SPRING		1
501 43 14-02	TANK CAP ASSY		1
501 51 80-02	THROTTLE LEVER		1
501 51 81-02	THROTTLE LOCKOUT		1
501 51 91-01	TANK VENT		1
501 51 97-02	ROD		1
501 52 88-01	RECOIL SPRING		1
501 53 05-01	ANTIVIBRATION ELEMENT	SOFT	1
501 53 18-01	SUPPORT CUP		1
501 53 45-03	FRONT HANDLE ASSY		1
501 59 41-01	ANTIVIBRATION ELEMENT	HARD	1
501 62 87-01	ANTIVIBRATION ELEMENT	HARD	1
501 62 96-01	TANK VENT		1
501 68 08-01	SUPPORT CUP		1
501 68 74-04	FUEL TANK	G	1
501 69 90-10	FUEL TANK ASSY		1
501 69 94-01	ANTIVIBRATION ELEMENT	HARD	1
501 77 34-01	ANTIVIBRATION ELEMENT	SOFT	1
501 77 35-01	ANTIVIBRATION ELEMENT	SOFT	1
501 81 43-01	THROTTLE WIRE		1
503 20 00-01	SCREW EHHFM		1
503 20 00-01	SCREW EHHFM		1
503 20 00-03	SCREW EHHFM		1
503 20 00-06	SCREW EHHFM		1
503 21 14-04	SCREW EHHFT		1
503 21 14-04	SCREW EHHFT		1
503 21 14-05	SCREW		1
503 22 65-01	SQUARE NUT		1
503 44 32-01	FILTER		1
503 58 62-01	FRONT HANDLE ASSY		1
503 58 63-01	SPACER		1
721 42 09-25	PINNE FRPLS3X18		1
721 42 09-25	PINNE FRPLS3X18		1
721 42 12-26	SPRING PIN		1
725 53 27-56	SCREW IHSCM		1
725 53 27-56	SCREW IHSCM		1

**G**

- \* compl 503 59 03-01 (XP SA)
- \* compl 503 59 03-02 (SA)



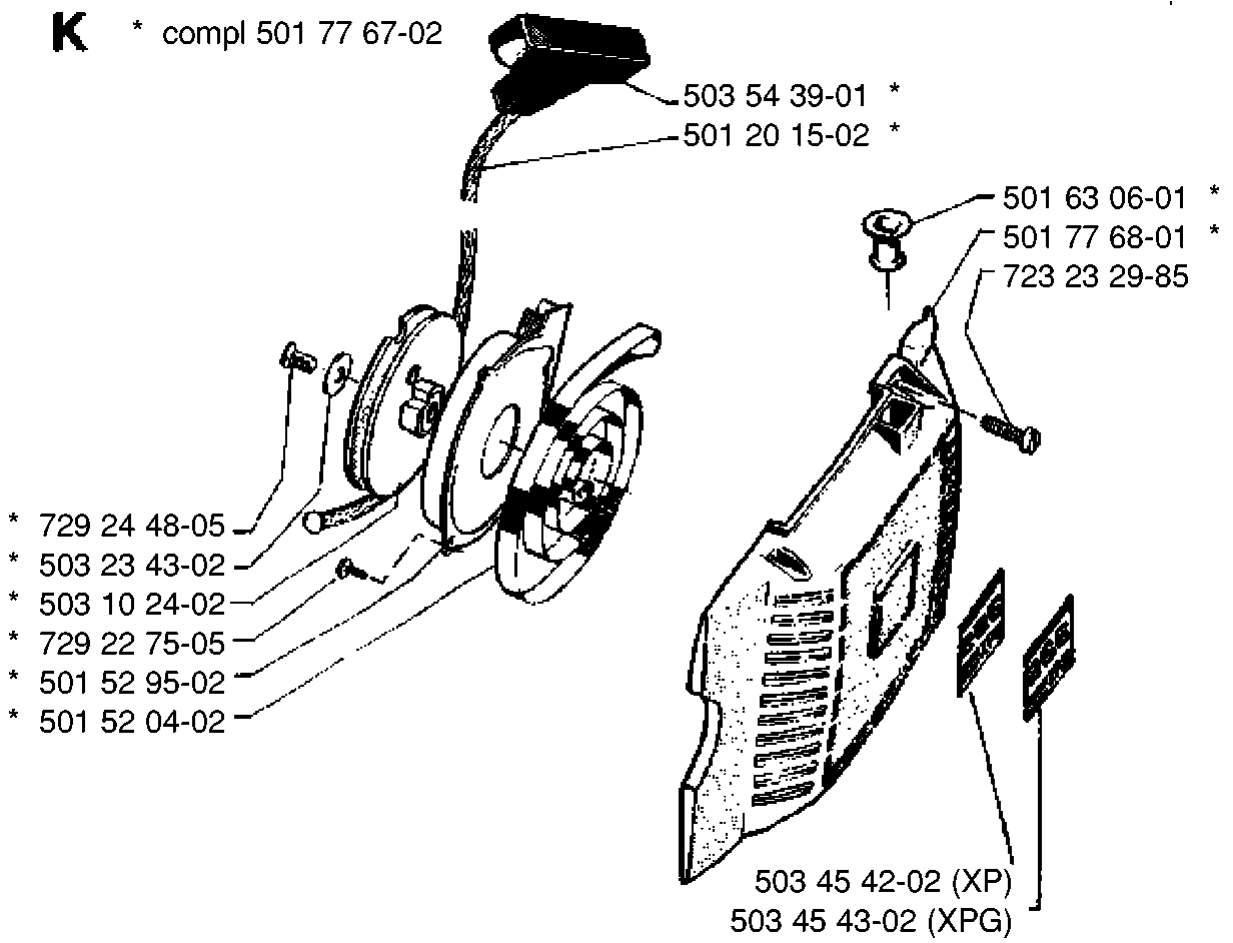
- 501 65 76-01 (Tube)
- 501 65 78-01 (Jungle type)



## MUFFLER

266

Part No	Description	Remark	QTY KIT
501 52 49-01	BRACKET		1
501 53 49-01	CARTER D'EMBR NU S/FREIN E-F		1
501 65 76-01	MUFFLER PIPE	TUBE	1
501 65 78-01	MUFFLER	JUNGLE TYPE	1
503 20 00-04	SCREW EHHFM		1
503 20 00-04	SCREW EHHFM		1
503 21 90-08	SCREW CCRPANM		1
503 40 56-01	SPARK ARRESTOR SCREEN		1
503 58 99-01	EXHAUST DUCT		1
503 59 03-01	MUFFLER ASSY	XP SA	1
503 59 03-02	MUFFLER ASSY	SA	1



Part No	Description	Remark	QTY KIT
501 20 15-02	STARTER CORD		1
501 52 04-02	RECOIL SPRING		1
501 52 95-02	GUARD RING		1
501 63 06-01	REINFORCEMENT SLEEVE		1
501 77 67-02	STARTER ASSY		1
501 77 68-01	STARTER HOUSING		1
503 10 24-02	STARTER PULLEY		1
503 23 43-02	WASHER		1
503 45 42-02	SIGN	XP	1
503 45 43-02	SIGN	XPG	1
503 54 39-01	STARTER HANDLE		1
723 23 29-85	SCREW SLPANM		1
729 22 75-05	SCREW SLPANT		1
729 24 48-05	SCREW SLPANT		1

# Illustrated Parts List - IPL Update



Product Name(s)

**266**

Description of change

1.Replacement of 501 51 61-02 AM4 with and an assembly kit with AM7.  
Reason: 501 51 61 -02 is not manufactured any more.  
2. 501 51 60-01 excluded. Reason: Wrong number. 501 51 60-01 is an ignition module not a clutch drum.  
Right part number is 503 65 09-01.

Comments

All updates are fully interchangeable

Introduced from

Serial number / Date	Remark

IPL updates

Page Title	Ref. no	New part no	Name	Excl. part no.	Remark
Clutch & Oilpump	501 51 60-01	503 65 09-01	Clutch drum	501 51 60-01	Wrong part number
Electrical	586 72 55-01	586 72 55-01	Kit - Replacement AM4 Ignition module	501 51 62-01	

## Free Manuals Download Website

<http://myh66.com>

<http://usermanuals.us>

<http://www.somanuals.com>

<http://www.4manuals.cc>

<http://www.manual-lib.com>

<http://www.404manual.com>

<http://www.luxmanual.com>

<http://aubethermostatmanual.com>

Golf course search by state

<http://golfingnear.com>

Email search by domain

<http://emailbydomain.com>

Auto manuals search

<http://auto.somanuals.com>

TV manuals search

<http://tv.somanuals.com>