

**Honeywell**

# Quick Installation Guide



## **RTH8500 Series**

Touchscreen Programmable Thermostat

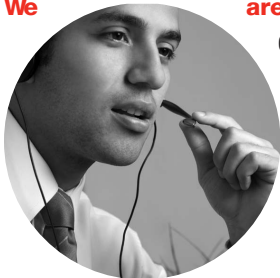


69-2219EF-03

## Installation is Easy

- Label wires and remove your old thermostat
- Install and wire your new thermostat
- Set your new thermostat to match your heating/cooling system
  - This thermostat works with virtually all System Types
  - It is preset for the most common system

**We**



**are here to help.**

Call 1-800-468-1502 for wiring assistance before returning the thermostat to the store.

**1**

## Turn Off Power to Heating/ Cooling System

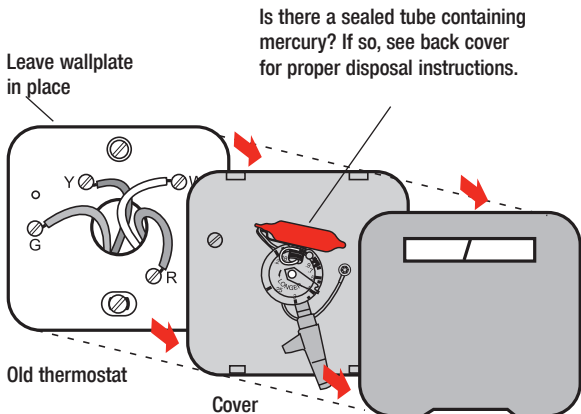


M28097

## 2

### Remove Old Thermostat

Remove old thermostat but leave wallplate with wires attached.



M28099

# 3

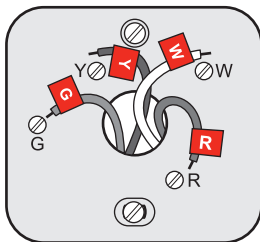
## Label Wires with Tags

Label the wires using the supplied wire labels as you disconnect them.

<b>Wiring Labels</b>			<b>Étiquettes de fils</b>			<b>Rótuños para los cables</b>			
Apply these wiring labels to each wire with the appropriate terminal designation as you remove it from the existing thermostat.			Lorsque vous retirez les fils des bornes du thermostat existant, collez ces étiquettes sur chaque fil correspondant à la lettre de la borne.			Coloque estos rótulos, con la designación de las terminales, en cada cable al remover los cables del termostato actual.			
B	B	Y2	Y2	C	C	E	E	F	F
G	G	H	H	L	L	O	O	P	P
R	R	RC	RC	RH	RH	T	T	U	U
V/VR	V/VR	W	W	W1	W1	W2	W2	W3	W3
X	X	X1	X1	X2	X2	Y	Y	Y1	Y1
69-0823EFS • 5-03 • Printed in U.S.A.						www.honeywell.com/yourhome			

M28100

### Wire Labels

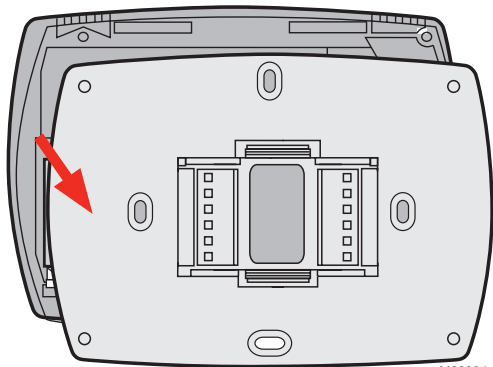


M28093

**4**

## Separate Wallplate from New Thermostat

Remove wallplate from the new thermostat and mount onto wall.



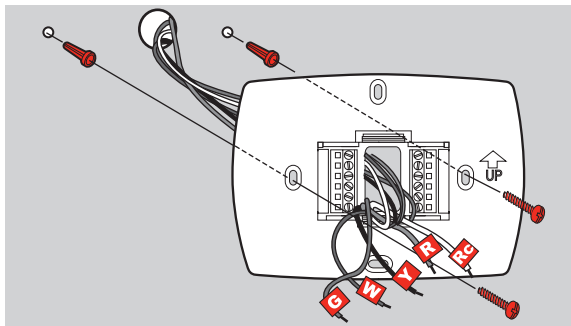
M28334

Wallplate

# 5

## Mount Wallplate

Mount the new wallplate using the included screws and anchors.



M27514

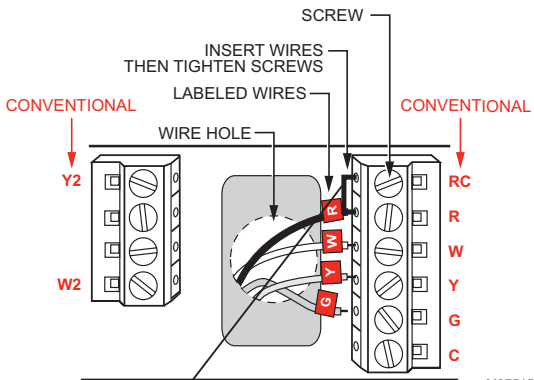
Drill 3/16-in. holes for drywall

Drill 3/32-in. holes for plaster

## 6

## Connect Wires

Simply match wire labels.



M27515

Remove metal jumper if you have both **R** and **Rc** wires.

**Labels don't match? See page 21.**

**Have a Heat Pump system? See pages 22–23.**

**We are here to help.**

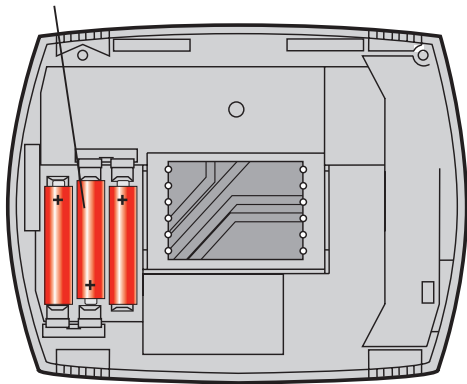
**Call 1-800-468-1502 for wiring assistance.**



# 7

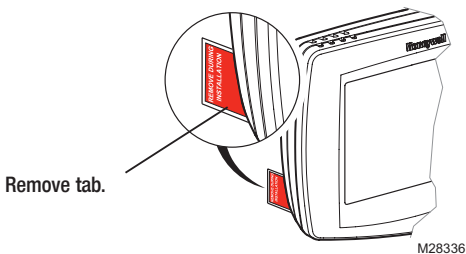
## Install Batteries

Install three AAA alkaline batteries and remove tab.



M28335

Back of thermostat

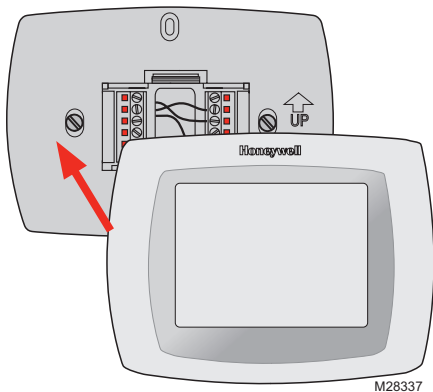


M28336

# 8

## Install Thermostat onto Wallplate

Install thermostat onto the wallplate on the wall.



# 9

## Turn Power Back On

Turn the power back on to the heating/cooling system.



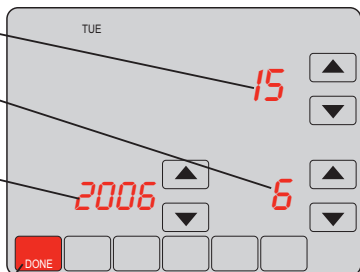
M28098

# 10 Set Time and Date

Press ▲/▼  
to set date

Press ▲/▼  
to set month

Press ▲/▼  
to set year



Press **DONE** to save changes

Press ▲/▼  
to set time



Press **DONE** to save and exit



## If your system type is...

### If your system type is:

- Single Stage Heat and Cool

**Congratulations, you're done!**

### If your system type is:

- Multistage Heat and Cool
- Heat Pump\* without Backup Heat
- Heat Pump\* with Backup Heat
- Heat Only
- Cool Only

**Continue with advanced installation on next page to match your thermostat to your system type.**

\*Heat Pump—an air conditioner that provides cooling in the summer, and also runs in reverse in the winter to provide heating.

**If you are not sure of your system type or if you have other questions, call us toll-free at 1-800-468-1502.**

This thermostat works on 24 volt or 750 mV systems. It will NOT work on 120/240 Volt systems.

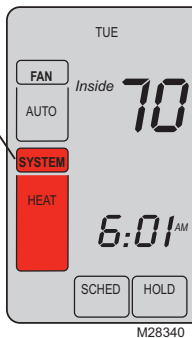
# Advanced Installation

---

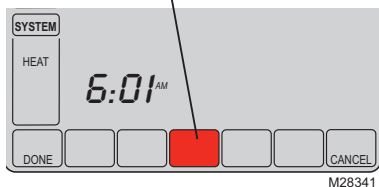
System setup.....	13
Wiring .....	21
Troubleshooting .....	24
Customer assistance .....	26
Limited warranty .....	27

## System setup

1. Press **SYSTEM**.

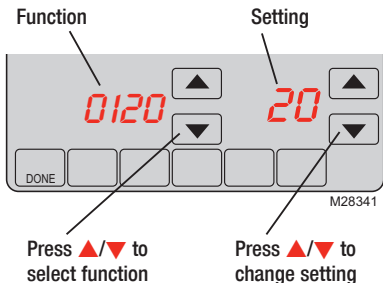


2. Press and hold blank center key until the screen changes (approximately 5 seconds).



## Changing settings

See pages 15–20 to change Function Settings.



3. Press **DONE** to exit & save changes.



**NOTE:** Some functions in the following pages may not appear due to previous selections made.



## System setup



**NOTE:** If you set the time and date as shown on page 10, press **NEXT** to function 0170 and go to page 16.

See page 14 to navigate between functions.

Function	Settings & Options
<b>0120 Year Setting (first two digits)</b>	Press ▲/▼ to change the first two digits of the year: <b>20</b> = Year <b>20xx</b> <b>21</b> = Year <b>21xx</b>
<b>0130 Year Setting (second two digits)</b>	Press ▲/▼ to change the last two digits of the year: <b>01 - 99</b> (i.e., 20 <b>01</b> - 20 <b>99</b> )
<b>0140 Month Setting</b>	Press ▲/▼ to change the current month: <b>01 - 12</b> (i.e., January - December)
<b>0150 Date Setting</b>	Press ▲/▼ to change the current date: <b>01 - 31</b>

## System setup

See page 14 to navigate between functions.

### Function

### Settings & Options

#### 0170 Select System Type

Press ▲/▼ to select your system type:

- 1 **Heat/cool:** Gas, oil or electric heating with central air conditioning.
- 2 **Heat pump:** Heat pump with-  
out backup or auxiliary heat.
- 3 **Heat only:** Gas, oil or electric heat without central air conditioning.
- 4 **Heat only with fan:** Gas, oil or electric heat without central air conditioning.
- 5 **Hot water heat only (no fan):** Gas, oil or hot water heat with-  
out central air conditioning.
- 6 **Cool only:** Central air conditioning only.
- 7 **Heat pump:** Heat pump with backup or auxiliary heating.
- 8 **Heat/Cool Multiple stages:** 2 heat stages (wires on **W** and **W2**), 2 cooling stages (wires on **Y** and **Y2**).
- 9 **Heat/Cool Multiple stages:** 2 heat stages (wires on **W** and **W2**), 1 cooling stage (wire on **Y**).
- 10 **Heat/Cool Multiple stages:** 1 heat stage (wire on **W**), 2 cooling stages (wires on **Y** and **Y2**).

## System setup

See page 14 to navigate between functions.

### Function

### Settings & Options

#### 0180 Heating Fan Control

Press ▲/▼ to select your heating system & fan control:

- 0 **Gas or oil heat:** Use this setting if you have a gas or oil heating system (system controls fan operation).
- 1 **Electric heat:** Use this setting if you have an electric heating system (thermostat controls fan operation).

#### 0190 Heat Pump Changeover Valve (for heat pumps only)

Press ▲/▼ to select whether your changeover valve is used in heating or cooling:

- 0 **Cooling changeover valve:** Use this setting if you connected a wire labeled "0" to the O/B terminal (see page 22).
- 1 **Heating changeover valve:** Use this setting if you connected a wire labeled "B" to the O/B terminal (see page 23).

## System setup

See page 14 to navigate between functions.

### Function

### Settings & Options

#### 0240 Heating Cycle Rate

Press ▲/▼ to select your heating system:

- 5 **Gas or oil furnace:** Standard gas/oil furnace (less than 90% efficiency).
- 9 **Electric furnace:** Electric heating systems.
- 3 **Hot water or high-efficiency furnace:** Hot water system or gas furnace (more than 90% efficiency).
- 1 **Gas/oil steam or gravity system:** Steam or gravity heat systems.

#### 0270 Emergency Heat Cycle Rate (heat pumps only)

Press ▲/▼ to select your heating system:

- 9 **Electric furnace:** Electric heating systems.
- 5 **Gas or oil furnace:** Standard gas/oil furnace (less than 90% efficiency).
- 3 **Hot water or high-efficiency furnace:** Hot water system or gas furnace (more than 90% efficiency).
- 1 **Gas/oil steam or gravity system:** Steam or gravity heat systems.

## System setup

See page 14 to navigate between functions.

Function	Settings & Options
<b>0300 Manual/Auto Changeover</b>	<p>Press ▲/▼ to select manual or automatic changeover:</p> <p><b>0</b> Manual changeover (Heat/Cool/Off).</p> <p><b>1</b> Automatic changeover (Heat/Cool/Auto/Off). Automatically turns on Heat or Cool based on room temperature. Note: System maintains minimum 3°F difference between heat and cool settings.</p>
<b>0320 Temperature Format (°F/°C)</b>	<p>Press ▲/▼ to set the temperature display format:</p> <p><b>0</b> Fahrenheit</p> <p><b>1</b> Celsius</p>
<b>0330 Daylight Saving Time On/Off</b>	<p>Press ▲/▼ to select an option:</p> <p><b>0</b> Off: No adjustment for daylight saving time.</p> <p><b>1</b> On: Auto-change to daylight saving time (for areas that <u>do not</u> use the new 2007 DST calendar).</p> <p><b>2</b> On: Auto-change to daylight saving time (2007 and beyond, for areas that use the new 2007 DST calendar).</p>

## System setup

See page 14 to navigate between functions.

### Function

### Settings & Options

#### 0500 Furnace Filter Change Reminder

Press ▲/▼ to set the desired reminder interval:

- 0 Off (no reminder)
- 1 Reminder after 10-day run time (about 1 month)
- 2 Reminder after 30-day run time (about 3 months)
- 3 Reminder after 60-day run time (about 6 months)
- 4 Reminder after 90-day run time (about 9 months)
- 5 Reminder after 120-day run time (about 1 year)
- 6 Reminder after 365-day run time (about 3 years)

#### 0530 Smart Response® Technology

Press ▲/▼ to turn this feature on or off (see Operating Manual for more information about this feature):

- 1 On
- 0 Off

#### 0640 Clock Format

Press ▲/▼ to set the clock display format:

- 12 12-hour clock (i.e., “3:30 pm”)
- 24 24-hour clock (i.e., “15:30”)

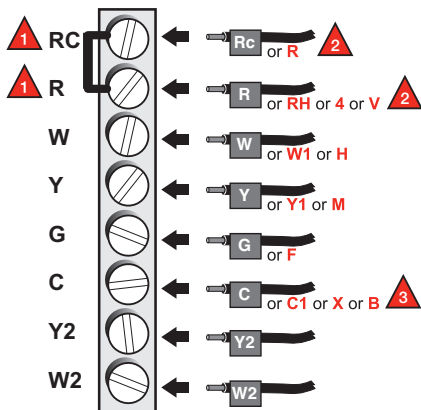
Press **DONE** to save and exit setup.

## Wiring—conventional system

### Alternate wiring (conventional systems)

If labels do not match terminals, connect wires as shown here (see notes, below).

- 1** Remove metal jumper connecting **R** and **Rc** only if you must connect both **R** and **Rc** wires.
- 2** If your old thermostat had both **R** and **RH** wires, remove metal jumper. Connect the **R** wire to the **Rc** terminal, and the **RH** wire to the **R** terminal.
- 3** If your old thermostat had only 1 **C** or **C1** wire, connect it to the **C** terminal. If your old thermostat had 2 **C** or **C1** wires, wrap each separately with electrical tape and do not connect them.



M28076

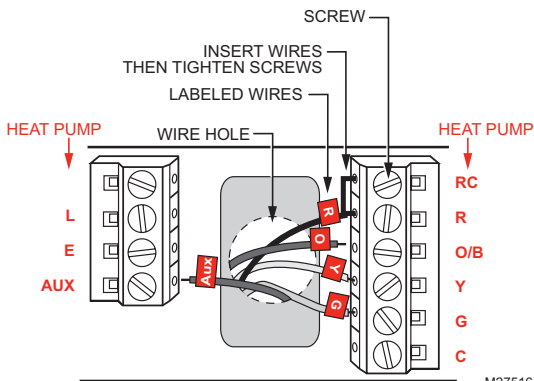
## Wiring—heat pump

### Connect wires: Heat Pump

1. Match each labeled wire with same letter on new thermostat.
2. Use a screwdriver to loosen screws, insert wires into hole, then tighten screws.
3. If **E** and **Aux** do not each have a wire connected, use a small piece of wire to connect them to each other.
4. Push any excess wire back into the wall opening.

### Labels don't match?

If labels do not match letters on thermostat, see page 23.



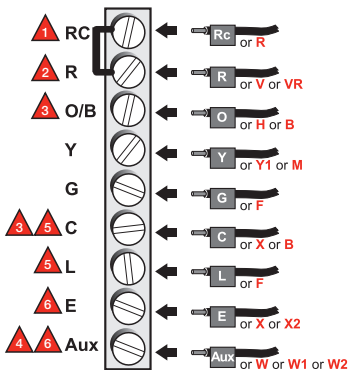
M27516



## Wiring—heat pump

### Alternate wiring (for heat pumps only)

- 1** Leave metal jumper in place, connecting **R** & **Rc** terminals.
- 2** If your old thermostat had both **V** and **VR** wires, stop now and contact a qualified contractor for help.
- 3** If your old thermostat had separate **O** and **B** wires, attach the **B** wire to the **C** terminal. If another wire is attached to the **C** terminal, stop now and contact a qualified contractor for help.
- 4** If your old thermostat had **Y1**, **W1** and **W2** wires, stop now and contact a qualified contractor for help.
- 5** If **L** terminal is used, **C** terminal wire must be connected (contact a contractor if there is no **C** wire).
- 6** If **E** and **Aux** terminals do not each have a wire connected, use a small piece of wire to connect them to each other.



## Troubleshooting

If you have difficulty with your thermostat, please try the following suggestions.

Most problems can be corrected quickly and easily.

- Display is blank** • Make sure fresh AAA alkaline batteries are properly installed (see page 7).
- Cannot change system setting to Cool** • Check Function 0170: System Type to make sure it is set to match your heating and cooling equipment (see page 16).
- Fan does not turn on when heat is required** • Check Function 0180: Heating Fan Control to make sure it is set to match your heating equipment (see page 17).
- “Wait” appears on the screen** • Compressor protection feature is engaged. Wait 5 minutes for the system to restart safely, without damage to the compressor.
- Heat pump issues cool air in heat mode, or warm air in cool mode** • Check Function 0190: Heat Pump Changeover Valve to make sure it is properly configured for your system (see page 17).

## Troubleshooting

### Heating or cooling system does not respond

- Press **SYSTEM** to set system to Heat. Make sure the temperature is set higher than the Inside temperature.
- Press **SYSTEM** to set system to Cool. Make sure the temperature is set lower than the Inside temperature.
- Check circuit breaker and reset if necessary.
- Make sure power switch at heating & cooling system is on.
- Make sure furnace door is closed securely.
- Wait 5 minutes for the system to respond.

### Red light is on

- If thermostat is in Emergency Heat mode the red light is normal. It shows that the thermostat is in emergency heat mode.
- If thermostat is not in Emergency Heat mode, contact a qualified service contractor for repair.

### Heating system is running in cool mode

- Check Function 0170: System Type to make sure it is set to match your heating and cooling equipment (see page 16).

## **Customer assistance**

For assistance with this product, please visit  
**<http://DIYthermostats.honeywell.com>**  
or call Honeywell Customer Care toll-free at  
**1-800-468-1502.**

## 1-year limited warranty

Honeywell warrants this product, excluding battery, to be free from defects in the workmanship or materials, under normal use and service, for a period of one (1) year from the date of purchase by the consumer. If at any time during the warranty period the product is determined to be defective or malfunctions, Honeywell shall repair or replace it (at Honeywell's option).

If the product is defective,

(i) return it, with a bill of sale or other dated proof of purchase, to the place from which you purchased it; or

(ii) call Honeywell Customer Care at 1-800-468-1502. Customer Care will make the determination whether the product should be returned to the following address: Honeywell Return Goods, Dock 4 MN10-3860, 1885 Douglas Dr. N., Golden Valley, MN 55422, or whether a replacement product can be sent to you.

This warranty does not cover removal or reinstallation costs. This warranty shall not apply if it is shown by Honeywell that the defect or malfunction was caused by damage which occurred while the product was in the possession of a consumer.

Honeywell's sole responsibility shall be to repair or replace the product within the terms stated above. HONEYWELL SHALL NOT BE LIABLE FOR ANY LOSS OR DAMAGE OF ANY KIND, INCLUDING ANY INCIDENTAL OR CONSEQUENTIAL DAMAGES RESULTING, DIRECTLY OR INDIRECTLY, FROM ANY BREACH OF ANY WARRANTY, EXPRESS OR IMPLIED, OR ANY OTHER FAILURE OF THIS PRODUCT. Some states do not allow the exclusion or limitation of incidental or consequential damages, so this limitation may not apply to you.

THIS WARRANTY IS THE ONLY EXPRESS WARRANTY HONEYWELL MAKES ON THIS PRODUCT. THE DURATION OF ANY IMPLIED WARRANTIES, INCLUDING THE WARRANTIES OF MERCHANTABILITY AND FITNESS FOR A PARTICULAR PURPOSE, IS HEREBY LIMITED TO THE ONE-YEAR DURATION OF THIS WARRANTY.

Some states do not allow limitations on how long an implied warranty lasts, so the above limitation may not apply to you. This warranty gives you specific legal rights, and you may have other rights which vary from state to state.

If you have any questions concerning this warranty, please write Honeywell Customer Relations, 1985 Douglas Dr, Golden Valley, MN 55422 or call 1-800-468-1502. In Canada, write Retail Products ON15-02H, Honeywell Limited/ Honeywell Limitée, 35 Dynamic Drive, Toronto, Ontario M1V4Z9.

This thermostat contains a Lithium battery which may contain Perchlorate material.

Perchlorate Material—special handling may apply,  
See [www.dtsc.ca.gov/hazardouswaste/perchlorate](http://www.dtsc.ca.gov/hazardouswaste/perchlorate)



**MERCURY NOTICE:** Do not place your old thermostat in the trash if it contains mercury in a sealed tube. Contact your local waste management authority for instructions regarding recycling and proper disposal.



**CAUTION:** To avoid possible compressor damage, do not run air conditioner if the outside temperature drops below 50°F (10°C).

## Automation and Control Solutions

Honeywell International Inc.  
1985 Douglas Drive North  
Golden Valley, MN 55422

Honeywell Limited-Honeywell Limitée  
35 Dynamic Drive  
Toronto, Ontario M1V 4Z9

<http://DIYthermostats.honeywell.com>



Printed in U.S.A. on recycled paper containing at least 10% post-consumer paper fibers.

# Honeywell

© U.S. Registered Trademark.

US Patent No. 6,595,430; 7,114,554; 7,274,972; 7,225,054; D520,386 and other patents pending.

© 2011 Honeywell International Inc.

69-2219EF—03 M.S. 03-11

**Honeywell**

# Guide d'installation rapide



## Série RTH8500

Thermostat programmable à écran tactile

# L'installation est facile !

- Étiquetage des fils et retrait de l'ancien thermostat
- Installation et raccordement du nouveau thermostat
- Configuration du nouveau thermostat pour correspondre à votre système de chauffage/ climatisation
  - Ce thermostat fonctionne avec pratiquement tous les types de systèmes
  - Il est préréglé en prévision des systèmes les plus communs



## **Nous sommes à votre service.**

Composer le 1-800-468-1502 pour obtenir de l'aide au raccordement avant de retourner le thermostat au magasin.



**1**

**Couper le courant du système de chauffage/de climatisation**



M28097

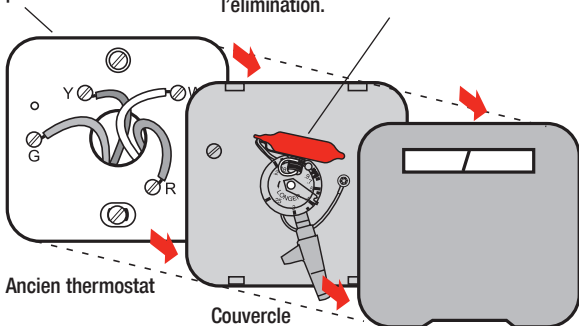
## 2

### Retirer l'ancien thermostat

Retirer l'ancien thermostat, mais laisser en place la plaque murale et les fils sans les détacher.

Laisser la plaque de montage en place

Y a-t-il une ampoule contenant du mercure? Si c'est le cas, se reporter aux consignes figurant sur la couverture avant de ce livret pour connaître les règlements concernant l'élimination.



M28099

# 3

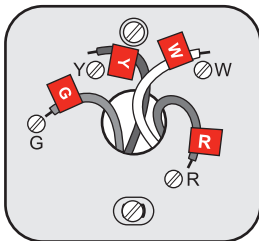
## Étiqueter les fils

Étiqueter les fils à l'aide des étiquettes fournies à mesure que les fils sont débranchés.

<b>Wiring Labels</b> Apply these wiring labels to each wire with the appropriate terminal designation as you remove it from the existing thermostat.			<b>Étiquettes de fils</b> Lorsque vous retirez les fils des bornes du thermostat existant, collez ces étiquettes sur chaque fil correspondant à la lettre de la borne.			<b>Rótulos para los cables</b> Coloque estos rótulos, con la designación de las terminales, en cada cable al remover los cables del termostato actual.			
B	B	Y2	Y2	C	C	E	E	F	F
G	G	H	H	L	L	O	O	P	P
R	R	RC	RC	RH	RH	T	T	U	U
V/VR	V/VR	W	W	W1	W1	W2	W2	W3	W3
X	X	X1	X1	X2	X2	Y	Y	Y1	Y1
69-0823EFS • 5-03 • Printed in U.S.A.						www.honeywell.com/yourhome			

M28100

### Étiquettes de fils

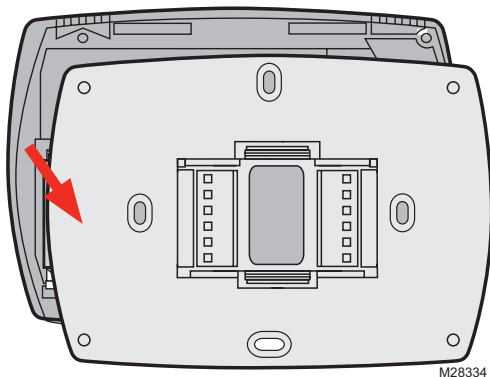


M28093

**4**

## Séparer la plaque murale du nouveau thermostat

Retirer la plaque murale du nouveau thermostat et l'installer au mur.

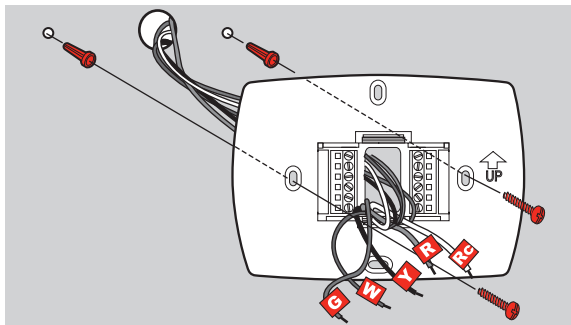


Plaque de montage

# 5

## Installer la plaque

Installer la nouvelle plaque murale à l'aide des vis et des chevilles d'ancrage fournies.



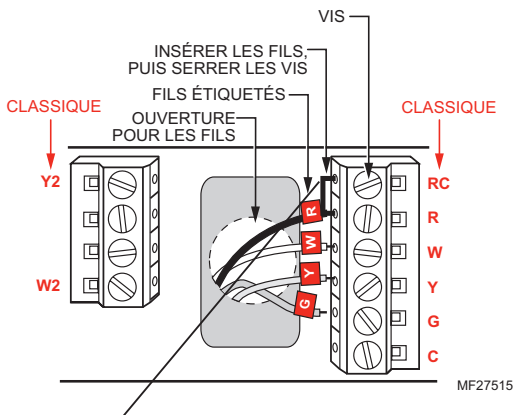
M27514

Percer des trous de 3/16 po si le mur est en placoplâtre  
Percer des trous de 3/32 po si le mur est en plâtre

# 6

## Raccorder les fils

Il suffit ensuite de faire correspondre les fils avec les étiquettes.



Retirer le cavalier en métal s'il y a à la fois les fils  
« R » et « Rc ».

**Les étiquettes ne correspondent pas? Voir page 21.**

**Avez-vous une thermopompe? Voir pages 22–23.**

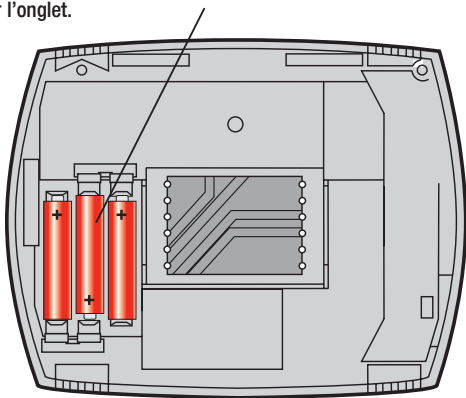
**Nous sommes à votre service.**

**Composer le 1-800-468-1502 pour obtenir de l'aide  
au cours du raccordement.**

# 7

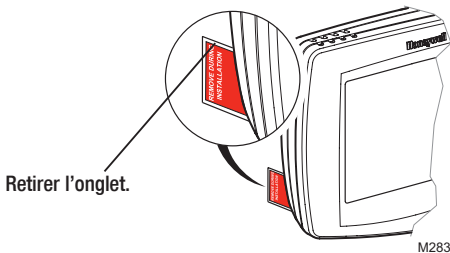
## Installer les piles

Installer 3 piles alcalines AAA à l'arrière du thermostat et retirer l'onglet.



M28335

Dos du thermostat



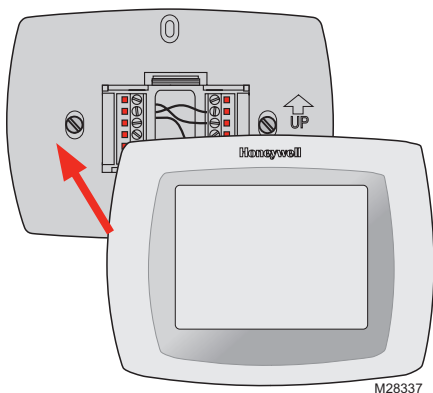
Retirer l'onglet.

M28336

**8**

## Fixer le thermostat à la plaque murale

Installer le thermostat sur la plaque murale fixée au mur.





# 9

## Rétablir l'alimentation électrique

Rétablir l'alimentation électrique du système de chauffage-refroidissement.



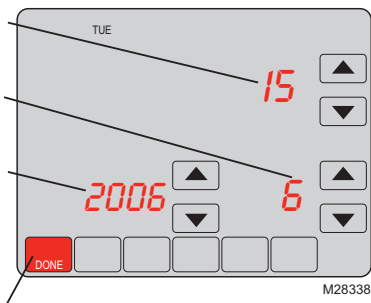
M28098

# 10 Régler l'heure et date

Appuyer sur ▲ ou ▼  
pour régler la date.

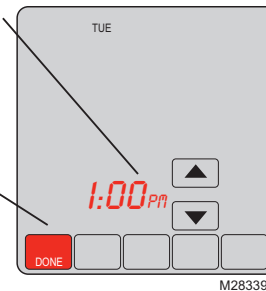
Appuyer sur ▲ ou ▼  
pour régler le mois.

Appuyer sur ▲ ou ▼  
pour régler l'année.



Appuyer sur **DONE** pour sauvegarder et quitter.

Appuyer sur ▲ ou ▼  
pour régler l'heure  
puis appuyer sur  
**DONE** pour  
sauvegarder  
et quitter.





## **Si votre système est du type suivant...**

### **Si votre système est du type suivant :**

- Chauffage et refroidissement à un étage

**Félicitations, vous avez terminé!**

### **Si votre système est du type suivant :**

- Chauffage et refroidissement, multiétages
- Thermopompe\* sans chauffage d'appoint
- Thermopompe\* avec chauffage d'appoint
- Chauffage seulement
- Refroidissement seulement

**Passer au mode d'installation avancé à la page suivante pour faire correspondre le thermostat à votre type de système.**

\*Thermopompe—climatiseur qui procure de l'air froid en été et qui fonctionne à l'inverse en hiver pour assurer le chauffage.

**Si vous n'êtes pas certain de connaître votre type de système, composez sans frais le 1-800-468-1502.**

Ce thermostat convient aux systèmes alimentés par du courant 24 volts ou 750 millivolts. Il ne convient pas aux systèmes alimentés par du courant 120/240 volts.

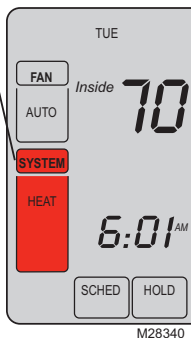
# Guide d'installation avancé

---

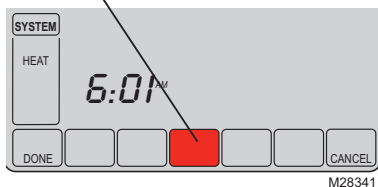
Modification des réglages .....	13
Câblage.....	21
Dépannage.....	24
Assistance à la clientèle.....	26
Garantie limitée .....	27

## Modification des réglages

1. Appuyer sur **SYSTEM**.

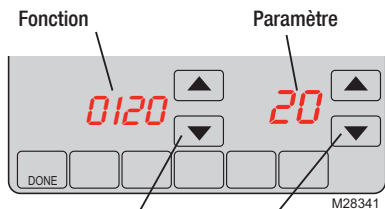


2. Appuyer sur la touche du centre blanche et continuer à le faire jusqu'à ce que l'affichage change (environ 5 secondes).



## Modification des réglages

Voir les pages 15–20 pour modifier le réglage des fonctions.



Appuyer sur ▲ ▼  
pour sélectionner  
la fonction.

Appuyer sur ▲ ▼  
pour modifier les  
paramètres.

3. Appuyer sur **DONE** pour sauvegarder et quitter.



**REMARQUE :** Certaines fonctions décrites dans les pages suivantes peuvent ne pas apparaître en raison des choix faits aux étapes précédentes.

## Modification des réglages



**REMARQUE** : Si l'heure et la date sont réglées selon les directives à la page 10, appuyer sur **NEXT** à la fonction 0170 et passer à la page 16.

Voir page 14 pour naviguer entre les différentes fonctions.

Fonction	Réglages et options
<b>0120</b> Programmation de l'année (deux premiers chiffres)	Appuyer sur ▲/▼ pour modifier les deux premiers chiffres de l'année : <b>20</b> = Année <b>20xx</b> <b>21</b> = Année <b>21xx</b>
<b>0130</b> Programmation de l'année (deux derniers chiffres)	Appuyer sur ▲/▼ pour modifier les deux derniers chiffres de l'année : <b>01 - 99</b> (c.-à-d. 2001 - 2099)
<b>0140</b> Programmation du mois	Appuyer sur ▲/▼ pour modifier le mois actuellement affiché : <b>01 - 12</b> (c.-à-d. Janvier-Décembre)
<b>0150</b> Programmation de la date	Appuyer sur ▲/▼ pour modifier le date : <b>01 - 31</b>

## Modification des réglages

Voir page 14 pour naviguer entre les différentes fonctions.

### Fonction

### Réglages et options

#### 0170 Type de système

Appuyer sur ▲/▼ pour choisir votre type de système :

- 1 **Chauff./Clim.** : Gaz, mazout ou chauffage électrique avec climatisation.
- 2 **Thermopompe** : 1 chauffage (pas de chauffage aux.).
- 3 **Chauff. seulement** : Gaz, mazout ou chauffage électrique sans climatisation.
- 4 **Chauffage seulement avec ventilateur** (gaz, mazout ou chauffage électrique).
- 5 **Chauff. eau chaude sans ventilateur** (gaz, mazout ou chauffage eau chaude).
- 6 **Climatisation centrale seulement.**
- 7 **Thermopompe** (avec chauffage aux.).
- 8 **Multi-étages** : 2 étages de chauffage (fils **W** et **W2**), 2 étages de climatisation (fils **Y** et **Y2**).
- 9 **Multi-étages** : 2 étages de la chauffage (fils **W** et **W2**), 1 étage de climatisation (fil **Y**).
- 10 **Multi-étages** : 1 étage de la chauffage (fil **W**), 2 étages de climatisation (fils **Y** et **Y2**).



## Modification des réglages

Voir page 14 pour naviguer entre les différentes fonctions.

Fonction	Réglages et options
<p><b>0180</b> Commande du ventilateur de chauffage</p>	<p>Appuyer sur ▲/▼ pour choisir le système de chauffage/ventilateur :</p> <p><b>0 Chauffage gaz/mazout :</b> Système gaz/mazout (le système commande le fonctionnement du ventilateur).</p> <p><b>1 Chauffage électrique :</b> (Le thermostat commande le fonctionnement du ventilateur).</p>
<p><b>0190</b> Vanne d'inversion (pour thermopompes seulement)</p>	<p>Appuyer sur ▲/▼ pour choisir si la vanne d'inversion est utilisée dans le chauffage ou la climatisation :</p> <p><b>0 Vanne de climatisation :</b> Utiliser ce réglage si le fil étiqueté «0» a été raccordé à la borne O/B (voir la page 22).</p> <p><b>1 Vanne de chauffage :</b> Utiliser ce réglage si le fil étiqueté «B» a été raccordé à la borne O/B (voir la page 23).</p>

## Modification des réglages

Voir page 14 pour naviguer entre les différentes fonctions.

### Fonction

### Réglages et options

**0240** Longueur des cycles de chauffage

Appuyer sur ▲/▼ pour choisir le type de système de chauffage :

**5** **Système de chauffage standard au gaz ou au mazout** - efficacité à moins de 90 %.

**9** **Systèmes de chauffage électriques.**

**3** **Système de chauffage à eau chaude ou au gaz** - efficacité à plus de 90 %.

**1** **Système de chauffage au gaz ou au mazout : Vapeur ou gravité.**

**0270** Longueur des cycles de chauffage de secours (thermo-pompes seulement)

Appuyer sur ▲/▼ pour choisir le type de système de chauffage :

**9** **Systèmes de chauffage électriques.**

**5** **Système de chauffage standard au gaz ou au mazout** - efficacité à moins de 90 %.

**3** **Système de chauffage à eau chaude ou au gaz** - efficacité à plus de 90 %.

**1** **Système de chauffage au gaz ou au mazout : Vapeur ou gravité.**

## Modification des réglages

Voir page 14 pour naviguer entre les différentes fonctions.

Fonction	Réglages et options
<b>0300</b> L'inversion manuelle ou automatique	<p>Appuyer sur ▲/▼ pour choisir l'inversion manuelle ou automatique :</p> <p><b>0</b> L'inversion manuelle (Heat/Cool/Off).</p> <p><b>1</b> L'inversion automatique (Heat/Cool/Auto/Off). Remarque : Le système maintient un écart minimal de 3 °F entre le réglage du chauffage et celui du refroidissement.</p>
<b>0320</b> Format de la température (°F/°C)	<p>Appuyer sur ▲/▼ pour choisir le format de la température :</p> <p><b>0</b> Fahrenheit</p> <p><b>1</b> Celsius</p>
<b>0330</b> Changement horaire été	<p>Appuyer sur ▲/▼ pour choisir une option :</p> <p><b>0</b> OFF : L'horaire d'été est désactivé.</p> <p><b>1</b> ON : Changement automatique à l'heure avancée (pour les zones qui n'utilisent pas le nouveau calendrier d'heure avancée de 2007).</p> <p><b>2</b> ON : Changement automatique à l'heure avancée (pour les zones qui utilisent le nouveau calendrier d'heure avancée de 2007 et des années subséquentes).</p>

## Modification des réglages

Voir page 14 pour naviguer entre les différentes fonctions.

### Fonction

### Réglages et options

**0500 Rappel de changement du filtre du système de chauffage**

Appuyer sur ▲/▼ pour choisir l'intervalle désiré de rappel :

- 0 Arrêt (pas de rappel changement de filtre du système de chauffage).
- 1 Rappel après 10 jours de fonctionnement (1 mois).
- 2 Rappel après 30 jours de fonctionnement (3 mois).
- 3 Rappel après 60 jours de fonctionnement (6 mois).
- 4 Rappel après 90 jours de fonctionnement (9 mois).
- 5 Rappel après 120 jours de fonctionnement (1 an).
- 6 Rappel après 365 jours de fonctionnement (3 ans).

**0530 Technologie Smart Response® (marche/arrêt)**

Appuyer sur ▲/▼ pour activer ou désactiver cette fonction (voir le guide d'utilisation) :

- 1 Marche
- 0 Arrêt

**0640 Format de l'heure**

Appuyer sur ▲/▼ pour choisir le format de l'heure :

- 12 Horloge 12 heures (3:30 pm)
- 24 Horloge 24 heures (15:30)

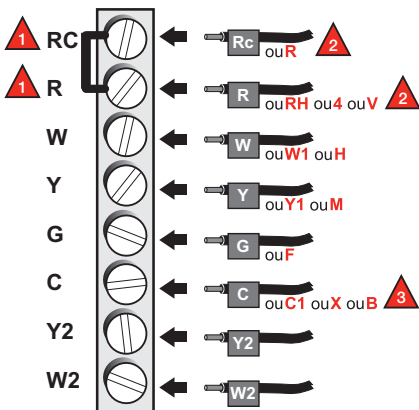
**Appuyer sur DONE (TERMINÉ) pour enregistrer les modifications et quitter le mode de réglage.**

## Câblage—systèmes classiques

### Câblage alternatif (systèmes classiques)

Si les étiquettes ne correspondent pas aux lettres du thermostat, consulter la grille (voir les notes ci-dessous).

- 1 Enlever le cavalier en métal entre **R** et **Rc**  
seulement les fils **R** et **Rc** doivent être raccordés.
- 2 Si l'ancien thermostat avait les deux fils **R** et **RH**, retirer le cavalier de métal. Raccorder le fil **R** à la borne **Rc** et le fil **RH** à la borne **R**.
- 3 Si l'ancien thermostat avait seulement un fil **C** ou **C1**, la relier à la borne de **C**. Si l'ancien thermostat avait 2 fils **C** ou **C1**, enrouler chacun des fils séparément avec du ruban isolant et ne pas les raccorder.



MF28076

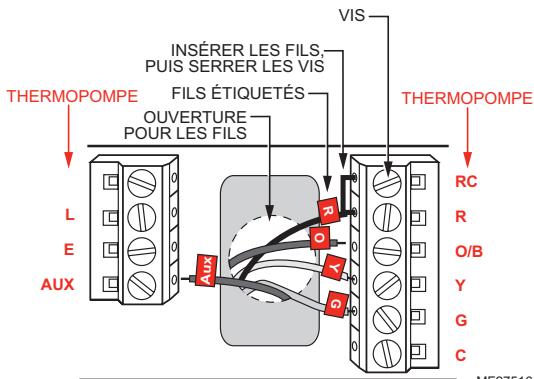
## Câblage—thermopompe

### Raccorder les fils : Thermopompe

1. Faire correspondre chaque fil étiqueté à la même lettre sur le nouveau thermostat.
2. Desserrer les bornes à vis à l'aide d'un tournevis, insérer les fils et serrer les vis.
3. Si les bornes **E** et **Aux** ne sont raccordés à aucun fil, utiliser un bout de fil pour les raccorder l'une à l'autre.
4. Repousser le fil en excès dans l'ouverture dans le mur.

### Les étiquettes ne correspondent pas?

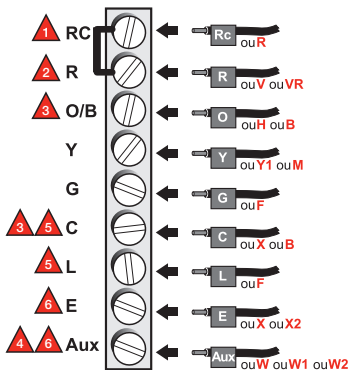
Si les étiquettes ne correspondent pas aux lettres marquées sur le thermostat, se reporter à la page 23.



## Câblage—thermopompe

### Câblage alternatif (pour thermopompes seulement)

- 1 Laisser le cavalier en place, en reliant les bornes **R** et **Rc**.
- 2 Si l'ancien thermostat avait des fils **V** et **VR**, arrêter maintenant et communiquer avec un entrepreneur pour obtenir de l'aide.
- 3 Si l'ancien thermostat les fils **O** et **B**, raccorder le fil **B** à la borne **C**. Si un autre fil est raccordé à la borne **C**, arrêter maintenant et communiquer avec un entrepreneur.
- 4 Si l'ancien thermostat avait les fils **Y1**, **W1** et **W2**, arrêter maintenant et communiquer avec un entrepreneur.
- 5 Si la borne **L** est utilisée, le fil de la borne **C** doit être raccordé (communiquer avec un entrepreneur s'il n'y a aucun fil **C**).
- 6 Si chacune des bornes **E** et **Aux** n'est pas raccordée à un fil, utiliser un petit morceau de fil pour les raccorder entre elles.



## Dépannage

Si vous éprouvez des difficultés, nous vous proposons d'essayer les solutions suivantes. La plupart des problèmes peuvent être corrigés rapidement et facilement.

- |  |  |
|--|--|
| <b>Rien n'apparaît à l'écran</b>   | <ul style="list-style-type: none"><li>• Vérifier si des piles alcalines AAA neuves sont correctement installées (voir page 7).</li></ul>   |
| <b>Impossible de changer le réglage du système à climatisation</b>                               | <ul style="list-style-type: none"><li>• Vérifier la <u>Fonction 170 : Type de système</u> pour s'assurer que le réglage correspond aux systèmes de chauffage et de climatisation (voir page 16).</li></ul> |
| <b>Ventilateur ne démarre pas lors de l'appel de chauffage</b>                                   | <ul style="list-style-type: none"><li>• Vérifier la <u>Fonction 180 : Commande du ventilateur de chauffage</u> pour s'assurer que le réglage correspond au système de chauffage (voir page 17).</li></ul>  |
| <b>« Wait » apparaît sur l'écran</b>   | <ul style="list-style-type: none"><li>• La fonction de protection du compresseur est engagée. Attendre 5 minutes pour que le système redémarre sans risque d'endommager le compresseur.</li></ul>          |
| <b>Thermopompe émet de l'air froid en mode chauffage et de l'air chaud en mode climatisation</b> | <ul style="list-style-type: none"><li>• Vérifier la <u>Fonction 190 : Vanne d'inversion de la thermopompe</u> pour s'assurer qu'elle est configurée pour convenir au système (voir page 17).</li></ul>     |



## Dépannage

### Le système de chauffage ou de climatisation ne réagit pas

- Appuyer sur **SYSTEM** pour configurer le système chauffage (Heat). S'assurer que le réglage de la température est supérieur à la température intérieure.
- Appuyer sur **SYSTEM** pour configurer le système de climatisation (Cool). S'assurer que le réglage de la température est inférieur à la température intérieure.
- Vérifier si le disjoncteur et le réenclencher au besoin.
- Vérifier si l'interrupteur d'alimentation des systèmes de chauffage et de climatisation est à la position de marche.
- Vérifier si la porte de la chaudière est bien fermée.
- Attendre 5 minutes pour que l'installation réagisse.

### Le voyant rouge est allumé

- Si le thermostat est en mode chauffage de secours le voyant rouge est normal. Il indique que le thermostat est en mode chauffage de secours.
- Si le thermostat n'est pas en mode de chauffage de secours, communiquer avec un entrepreneur qualifié en service de réparation.

### Chauffage fonctionne en mode climatisation

- Vérifier la Fonction 170 : Type de système pour s'assurer que le réglage correspond au système de chauffage ou de climatisation (voir page 16).

## Assistance à la clientèle

Pour obtenir de l'aide sur ce produit Honeywell, veuillez consulter le site

<http://DIYthermostats.honeywell.com> ou vous adresser sans frais aux Services à la clientèle de Honeywell au **1 800 468-1502**.

## Garantie limitée de un an

Honeywell garantit ce produit, à l'exception des piles, contre tout vice de fabrication ou de matière dans la mesure où il en est fait une utilisation et un entretien convenables, et ce, pour un (1) an à partir de la date d'achat par le consommateur. En cas de défectuosité ou de mauvais fonctionnement pendant la période de garantie, Honeywell remplacera ou réparera le produit (au gré de Honeywell) dans un délai raisonnable.

Si le produit est défectueux,

- (i) le retourner, accompagné d'une preuve d'achat indiquant la date d'achat, au détaillant auprès de qui il a été acheté, ou
- (ii) l'emballer avec soin, accompagné d'une preuve d'achat indiquant la date d'achat et d'une brève description du mauvais fonctionnement, et l'envoyer par la poste, port payé, à l'adresse suivante :

Honeywell Return Goods  
Dock 4 MN10-3860  
1885 Douglas Dr N  
Golden Valley, MN 55422

La présente garantie ne couvre pas les frais de retrait ou de réinstallation. La présente garantie ne s'appliquera pas s'il est démontré que la défectuosité ou le mauvais fonctionnement est dû à un endommagement du produit alors que le consommateur l'avait en sa possession.

## Garantie limitée de un an

La responsabilité de Honeywell se limite à réparer ou à remplacer le produit conformément aux modalités susmentionnées.

**HONEYWELL N'EST EN AUCUN CAS RESPONSABLE DES PERTES OU DOMMAGES, Y COMPRIS LES DOMMAGES INDIRECTS OU ACCESSOIRES DÉCOULANT DIRECTEMENT OU INDIRECTEMENT D'UNE VIOLATION QUELCONQUE D'UNE GARANTIE, EXPRESSE OU TACITE, APPLICABLE AU PRÉSENT PRODUIT NI DE TOUTE AUTRE DÉFECTUOSITÉ DU PRÉSENT PRODUIT.** Certaines provinces ne permettent pas l'exclusion ou la restriction des dommages indirects et, par conséquent, la présente restriction peut ne pas s'appliquer.

**LA PRÉSENTE GARANTIE TIENT LIEU DE TOUTES LES AUTRES GARANTIES, EXPRESSES OU TACITES, ET LES GARANTIES DE VALEUR MARCHANDE ET DE CONFORMITÉ À UNE FIN PARTICULIÈRE SONT PAR LES PRÉSENTES EXCLUES APRÈS LA PÉRIODE DE UN AN DE LA PRÉSENTE GARANTIE**

Certaines provinces ne permettent pas de limiter la durée des garanties tacites et, par conséquent, la présente limitation peut ne pas s'appliquer. La présente garantie donne au consommateur des droits légaux spécifiques et peut-être certains autres droits qui peuvent varier d'une province à l'autre.

Pour toute question concernant la présente garantie, prière d'écrire aux Services à la clientèle de Honeywell à l'adresse suivante : Honeywell Customer Relations, 1985 Douglas Drive, Golden Valley, MN 55422, ou encore composer le 1-800-468-1502. Au Canada, prière de s'adresser au service des Produits de détail, Honeywell Limited/Honeywell Limitée, 35, Dynamic Drive, Toronto (Ontario) M1V 4Z9.

Ce thermostat contient une pile au lithium qui pourrait contenir du perchlorate.

Matériau contenant du perchlorate — des consignes de manipulation spéciales pourraient s'appliquer, prière de consulter [www.dtsc.ca.gov/hazardouswaste/perchlorate](http://www.dtsc.ca.gov/hazardouswaste/perchlorate)



**AVIS CONCERNANT LE MERCURE :** Si le présent thermostat remplace un thermostat contenant du mercure dans une ampoule scellée, ne pas jeter l'ancien thermostat à la poubelle. Communiquer avec le service local de cueillette des déchets pour obtenir de l'information sur le recyclage ou sur la bonne façon de disposer d'un ancien régulateur contenant un contact à mercure.



**MISE EN GARDE :** Pour éviter d'endommager le compresseur, ne pas faire fonctionner le climatiseur si la température extérieure est inférieure à 10 °C (50 °F).

## Solutions de régulation et d'automatisation

Honeywell International Inc.  
1985 Douglas Drive North  
Golden Valley, MN 55422

Honeywell Limited-Honeywell Limitée  
35 Dynamic Drive  
Toronto, Ontario M1V 4Z9

<http://DIYthermostats.honeywell.com>



Imprimé aux É.-U. sur du papier recyclé contenant au moins 10 % de fibres de papier recyclées après consommation.

**Honeywell**

© Marque enregistrée aux États-Unis.  
Brevets US N<sup>os</sup> 6,595,430; 7,114,554; 7,274,972;  
7,225,054; D520,386 et autres brevets en instance.  
© 2011 Honeywell International Inc.  
69-2219EF—03 M.S. 03-11

## Free Manuals Download Website

<http://myh66.com>

<http://usermanuals.us>

<http://www.somanuals.com>

<http://www.4manuals.cc>

<http://www.manual-lib.com>

<http://www.404manual.com>

<http://www.luxmanual.com>

<http://aubethermostatmanual.com>

Golf course search by state

<http://golfingnear.com>

Email search by domain

<http://emailbydomain.com>

Auto manuals search

<http://auto.somanuals.com>

TV manuals search

<http://tv.somanuals.com>