



TURBOFORCE® HEATER FAN

HHF550 AND HHF565 SERIES



IMPORTANT SAFETY INSTRUCTIONS

WARNING – READ AND SAVE THESE OPERATING AND SAFETY INSTRUCTIONS BEFORE USING THIS HEATER. IF YOU DO NOT UNDERSTAND THESE INSTRUCTIONS OR PRODUCT LABELS PLEASE CALL OUR CUSTOMER REPRESENTATIVES AT 1-800-477-0457 FOR ASSISTANCE BEFORE USING THIS PRODUCT.

Warning – Failure to follow any of these safety instructions could result in fire, injury, or death.

YOUR RESPONSIBILITIES

Electrical appliances may expose people to hazards that can cause severe injury as well as death. The use of electrical products may create hazards that include, but are not limited to, injury, fire, electric shock and electrical system damage. These instructions are intended to provide you with the information you need to use the product correctly and to avoid such hazards.

When using electrical appliances, basic precautions should always be followed to reduce risk of fire, electric shock, and injury to persons including the following:

- Warning** – Read all instructions before using this heater.
- Warning** – This heater is hot when in use. To avoid burns, **DO NOT** let bare skin touch hot surfaces. Use handles when moving this heater. Keep combustible materials, such as furniture, pillows, bedding, papers, clothes, and curtains at least 3 feet (0.9m) from the front of the heater and keep them away from all sides of the heater.
- Warning** – Extreme caution is necessary when any heater is used by or near children or invalids, and whenever the heater is left operating and unattended.
- Warning** – **ALWAYS** unplug heater when not in use.
- Warning** – **DO NOT** operate any heater with a damaged cord or plug, any heater that malfunctions, or any heater that has been dropped or damaged in any manner. Discard heater or return heater to authorized service facility for examination and/or repair.
- Warning** – For residential use only.
- Warning** – **DO NOT** use outdoors.
- Warning** – This heater is not intended for use in bathrooms, laundry areas, and similar indoor locations. **DO NOT** locate heater where it may fall into a bathtub or other water container.
- Warning** – **DO NOT** run cord under carpeting. **DO NOT** cover cord with throw rugs, runners, or similar coverings. **DO NOT** route cord under furniture or appliances. Arrange cord away from traffic areas and where it will not be a tripping hazard.
- Warning** – This appliance has a polarized plug (one blade is wider than the other). To reduce the risk of electric shock, this plug is intended to fit in a polarized outlet only one way. If the plug does not fit fully in the outlet, reverse the plug. If it still does not fit, contact a qualified electrician. **DO NOT** attempt to defeat this safety feature.
- Warning** – This heater draws 12.5 amps during operation. To prevent overloading a circuit, **DO NOT** plug the heater into a circuit that already has other appliances working.

12. **Warning** – It is normal for the plug to feel warm to the touch; however, a loose fit between the AC outlet (receptacle) and plug may cause overheating and distortion of the plug. Contact a qualified electrician to replace loose or worn outlet.
13. **Warning** – To disconnect the heater, first turn off the product, then grip the plug body and pull it from the wall outlet. **DO NOT** pull by the cord.
14. **Warning** – **DO NOT** insert or allow foreign objects to enter any ventilation or exhaust opening as this may cause electric shock, fire, or damage to the heater.
15. **Warning** – To prevent a possible fire, **DO NOT** block air intakes or exhaust in any manner. **DO NOT** use on soft surfaces, like a bed, or where openings may become blocked.
16. **Warning** – A heater has hot and arcing or sparking parts inside. **DO NOT** use it in areas where gasoline, paint or flammable liquids are used or stored.
17. **Warning** – Use this heater only as described in this manual. Any other use not recommended by the manufacturer may cause fire, electric shock, or injury to persons.
18. **Warning** – **ALWAYS** plug heater directly into a wall outlet/receptacle. **DO NOT** use with an extension cord or relocatable power tap (outlet/power strip).
19. **Warning** – **NEVER** tamper with this product or attempt to fix it. Any tampering with, or modification of this product can result in serious injury, death, or fire. **DO NOT** open. Risk of electric shock. There are no user serviceable parts inside.
20. **Warning** – **DO NOT** remove product labels that contain warnings or safety instruction.
21. **Caution** – The output of this heater may vary and its temperature may become intense enough to burn exposed skin. Use of this heater is not recommended for persons with reduced sensitivity to heat or an inability to react to avoid burns.
22. **Caution** – Before cleaning, or storage, or when not in use, turn the product's controls to the OFF position and unplug the heater from the electrical outlet and allow to cool.
23. **Caution** – Place the heater on a firm, level, open surface free from obstructions and at least 3 feet (0.9m) away from any combustible materials. **DO NOT** use on an unstable surface such as bedding or deep carpeting. Be sure the heater is not in a position where it may be tripped over by small children or pets.
24. **Caution** – If your home has aluminum wiring have a licensed electrician check your receptacle's connections. When using a 1500 watt heater, aluminum wire connections can cause a safety issue.
25. **SAVE THESE INSTRUCTIONS**

SET UP

The Honeywell TurboForce® Heater Fan requires no assembly. Simply unpack heater and save all packaging materials for off-season storage.

Place the heater on a firm, level, open surface free from obstructions and at least 3 feet (0.9m) away from any wall or combustible material.

DO NOT use on an unstable surface such as bedding or deep carpeting.

BE SURE THE HEATER IS NOT IN A POSITION WHERE IT MAY BE TRIPPED OVER BY CHILDREN OR PETS.

MOVING THE HEATER

This heater is equipped with a recessed carrying handle for your convenience. Turn off the heater. Allow it to cool for ten minutes. Unplug heater and move.

OPERATION

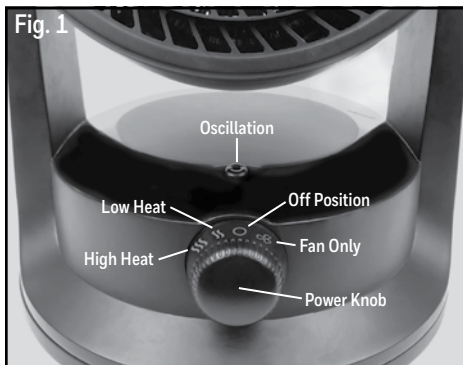
NOTE: The Honeywell TurboForce® Heater requires no assembly.

NOTE: Never leave an operating unit unattended

Model HHF550 Series – Manual TurboForce® Heater Operation

With the Power Knob in the OFF (O) position, plug the heater into a polarized 120V outlet. DO NOT FORCE THE POLARIZED PLUG INTO THE OUTLET; it will only fit one way.

The Power Knob is equipped with three (3) settings: (Fig. 1) Fan Only (⊗), Low (Ⓜ) and High (ⓂⓂ). The Low (Ⓜ) heat setting uses 750 watts of power and the High (ⓂⓂ) heat setting uses 1500 watts of power. The Fan only (⊗) setting uses very low power and does not provide heat. You can select the proper setting to accommodate your comfort level with the Power Knob. When you choose any setting the red Power Light will come on. The Low (Ⓜ) heat setting does not require as much electricity to operate, it is more energy efficient and may be a better option if you are concerned about the amperage draw on a circuit when the heater is on the High setting. Use the Fan only setting for optimal comfort level year round.



NOTE: Controls/features will vary slightly by model

The TurboForce® Heater is also equipped with both a pivoting head and oscillation to provide heat flow how and where you want it most.

3 WAY PIVOT (Fig. 2) – the head of the heater can be adjusted up at 3 different angles - 15°, 30°, 45° - to provide more focused heat flow within the room.

- The 15° pivot angle – allows the heat to flow more directly at a seated level.
- The 30° pivot angle – provides heat flow at a standing level.
- The 45° pivot angle – directs heat flow towards the ceiling. This angle is ideal to help generate whole room heat circulation.

Fig. 2



OSCILLATION – the TurboForce® Heater also has an oscillation feature which distributes warmed air over a wider area for increased whole room heat circulation.

- To activate the oscillation feature, press the oscillation (↻) button once. Press the oscillation button again to turn the oscillation feature off.
- Turn the Power Knob to OFF (O) and allow it to cool for 10 minutes, then unplug the heater when you are finished using it.

OPERATION

Model HHF565 Series – Digital TurboForce® Heater Operation

Turn heater on by pressing the Power Button (⏻). The Power Indicator will illuminate and the heater will start in the Low (⏻) heat level setting (Fig. 4).

This heater has two operational modes, which can be chosen using the red switch on the back of the unit (Fig. 3):

Continuous heating (∞) – heater will run until it is manually shut off.

Auto-Off (⏻) mode - heater will automatically shut off after 8 hours each time that you use the heater. This built-in feature helps ensure that the heater is not accidentally left on for an extended period of time.



Fig. 3

NOTE: See the SafeGuard® Auto-Off Feature section for more information on this feature.

This heater comes pre-set from the factory with the Auto-Off mode engaged. When the unit is turned on, the Auto-Off icon (⏻) will be illuminated on the top of the controls. All features are functional while operating in the Auto-Off mode.

Should you **NOT** want the heater to automatically shut off after 8 hours, switch to Continuous heating by simply pressing the red switch on the back of the unit. Once selected, the Continuous heat icon (∞) will illuminate on the top of the control panel.

To select a Heat Setting, press (⏻):

1. For Low (⏻), this setting uses 750 watts of power
2. For High (⏻), this setting uses 1500 watts of power

NOTE: The Low (⏻) setting does not require as much electricity to operate. It is more energy efficient and may be a better option if you are concerned about saving energy.

To use the Fan only (no heat), press the Fan button (⏻).

To set the thermostat, continue to press the Heat Level button (⏻) until Auto is illuminated. There are 4 pre-set comfort settings from which to choose: 65°, 70°, 75°, 80°. Continue to press the Heat Level button to select your desired room temperature setting. The heater will operate at HIGH heat in order to reach this desired temperature.

NOTE: If the Current Temperature is higher than your Desired Temperature, the heater will be off until the room temperature falls below your desired temperature.

To set the Timer, press the (⏻) button to select 1, 2, 4, or 6 hour setting. The heater will run for that chosen period in the selected mode and automatically shut off after the desired time has passed.

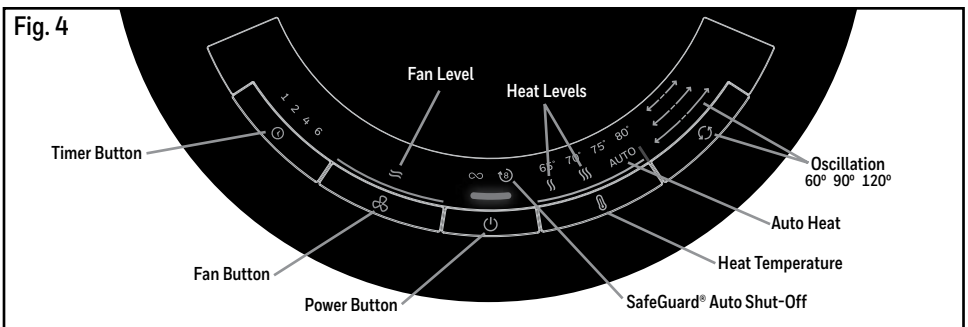


Fig. 4

OPERATION

Model HHF565 Series – Digital TurboForce® Heater Operation (Cont'd)

The TurboForce® Heater is also equipped with both a pivoting head and an innovative selectable oscillation feature to provide heat flow how and where you want it most.

3 WAY PIVOT (Fig. 5) – the head of the heater can be adjusted up at 3 different angles - 15°, 30°, 45° - to provide more focused heat flow within the room.

- The 15° pivot angle - allows the heat to flow more directly at a seated level.
- The 30° pivot angle - provides heat flow at a standing level.
- The 45° pivot angle – directs heat flow towards the ceiling. This angle is ideal to help generate whole room heat circulation.

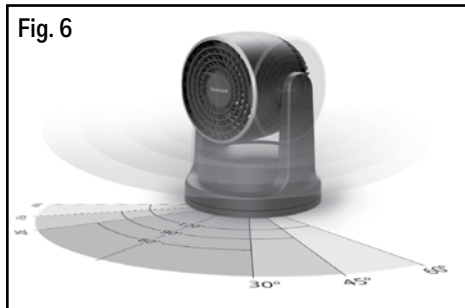
Fig. 5



3 WAY OSCILLATION (Fig. 6) – the TurboForce® Heater has been engineered to include a unique selectable oscillation feature which allows for an even more customized approach to heat circulation.

- The 60° oscillation angle - provides heat flow within a more personal, focused area.
- The 90° oscillation angle - allows for wider area coverage.
- The 120° oscillation angle - covers more of the room, providing a whole room heat circulation experience.

Fig. 6



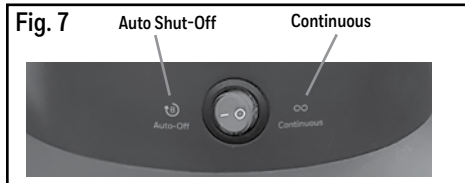
SAFEGUARD® AUTO SHUT-OFF FEATURE (HHF565 Series Only)

The Honeywell TurboForce® Heater is enhanced with a SafeGuard® Auto Shut-Off feature. This innovative feature is designed to automatically shut the heater off after 8 hours of continuous use.

How it works: By default, the TurboForce® Heater comes with the Auto Shut-Off feature engaged. If you choose to operate the heater in the Auto Shut-Off mode (⏻), the heater will shut off automatically after 8 hours every time the heater is used, unless the heater is turned off prior to the 8 hour auto-off time. All features are functional while operating in the Auto Shut-Off setting. If you choose to disengage this feature, the unit will operate in the Continuous heat mode (∞).

- Press the SafeGuard® Auto Shut-Off switch on the back of the unit (Fig. 7) to select either the Auto Shut-Off or Continuous heating modes. The corresponding icon will illuminate on the controls to indicate which mode you are in.

Fig. 7



SAFETY FEATURES

The Honeywell TurboForce® Heater is equipped with several features for added protection:

- A 360° tip-over switch that disables the heater if it is tipped in any direction.
- A high temperature safety sensor prevents overheating.
- This heater is also equipped with a thermal cut-off fuse that will permanently shut down the heater should it operate at a higher than normal temperature. If activated, the unit will need to be replaced.
- This heater was built using a high temperature plastic and has a cool to touch housing and handle.
- This heater is designed with thermal insulated wiring for heat resistance and reinforced wire connections to help protect against loose connections.
- The HHF565 Series models also include a SafeGuard® Auto Shut-Off feature. If selected, this feature is designed to automatically shut the heater off after 8 hours of continuous use.

CLEANING AND STORAGE

It is recommended that the Honeywell TurboForce® Heater be cleaned at least once a month and before off-season storage.

- Turn Off (⏻) and unplug heater. Allow unit to cool for 10 minutes.
- Use a dry cloth only to clean the external surfaces of the heater. **DO NOT USE WATER, WAXES, POLISHES OR ANY CHEMICAL SOLUTION.**
- Before storing, clean the TurboForce® Heater using the above-mentioned steps. Wrap the cord around the unit. Place in its original box and store it in a cool, dry place.
- This heater does not disassemble.

TROUBLESHOOTING

Problem	Solution
If your Honeywell TurboForce® Heater shuts off unexpectedly or fails to operate, one of your heater safety features may have been activated to prevent overheating.	<ul style="list-style-type: none">• Be sure heater is plugged in and that the electrical outlet is working.• Check for any obstructions. If you find an obstruction, turn the heater OFF (⏻) and unplug it.• Allow the heater to cool completely, then remove the obstruction. Wait at least 10 minutes, then re-plug the heater in and follow the OPERATION instructions.

PRODUCT SPECIFICATIONS

Model(s)	Unit Dims	Amps	Unit Voltage	Max Watts	Max BTUs
HHF550 Series	10.1" L x 10.1" W x 12.6" H	12.5	120V, 60Hz	1500	5118
HHF565 Series	10.1" L x 10.1" W x 12.6" H	12.5	120V, 60Hz	1500	5118

3 YEAR LIMITED WARRANTY

You should first read all instructions before attempting to use this product.

A. This 3 year limited warranty applies to repair or replacement of product found to be defective in material or workmanship. This warranty does not apply to damage resulting from commercial, abusive, unreasonable use or supplemental damage. Defects that are the result of normal wear and tear will not be considered manufacturing defects under this warranty. **KAZ IS NOT LIABLE FOR INCIDENTAL OR CONSEQUENTIAL DAMAGES OF ANY NATURE, ANY IMPLIED WARRANTY OF MERCHANTABILITY OR FITNESS FOR A PARTICULAR PURPOSE ON THIS PRODUCT IS LIMITED IN DURATION TO THE DURATION OF THIS WARRANTY.** Some jurisdictions do not allow the exclusion or limitation of incidental or consequential damages or limitations on how long an implied warranty lasts, so the above limitations or exclusions may not apply to you. This warranty gives you specific legal rights, and you also may have other rights which vary from jurisdiction to jurisdiction. This warranty applies only to the original purchaser of this product from the original date of purchase.

- B.** At its option, Kaz will repair or replace this product if it is found to be defective in material or workmanship.
- C.** This warranty does not cover damage resulting from any unauthorized attempts to repair or from any use not in accordance with the instruction manual.

CUSTOMER SERVICE

Questions or comments

Call us toll-free at: 1-800-477-0457

E-mail: consumerrelations@kaz.com

Or visit our website at: www.HoneywellPluggedIn.com

Please be sure to specify the model number.

NOTE: IF YOU EXPERIENCE A PROBLEM, PLEASE CONTACT CONSUMER RELATIONS FIRST OR SEE YOUR WARRANTY. DO NOT RETURN THE HEATER TO THE ORIGINAL PLACE OF PURCHASE. DO NOT ATTEMPT TO OPEN THE MOTOR HOUSING YOURSELF, DOING SO MAY VOID YOUR WARRANTY AND CAUSE DAMAGE TO THE PRODUCT OR PERSONAL INJURY.

FCC COMPLIANCE (HHF565)

NOTE: This equipment has been tested and found to comply with the limits for a Class B digital device, pursuant to part 15 of the FCC Rules. These limits are designed to provide reasonable protection against harmful interference in a residential installation. This equipment generates, uses and can radiate radio frequency energy and, if not installed and used in accordance with the instructions, may cause harmful interference to radio communications. However, there is no guarantee that interference will not occur in a particular installation. If this equipment does cause harmful interference to radio or television reception, which can be determined by turning the equipment off and on, the user is encouraged to try to correct the interference by one or more of the following measures:

- Reorient or relocate the receiving antenna.
- Increase the separation between the equipment and receiver.
- Connect the equipment into an outlet on a circuit different from that to which the receiver is connected.
- Consult the dealer or an experienced radio/TV technician for help.

The user is cautioned that changes or modifications made to the equipment without the approval of manufacturer could void the user's authority to operate the equipment.

RADIATEUR-VENTILATEUR TURBOFORCE^{MD}

SÉRIES HHF550 ET HHF565



CONSIGNES DE SÉCURITÉ IMPORTANTES

AVERTISSEMENT – LIRE ET CONSERVER CES MESURES DE SÉCURITÉ ET CE MODE D'EMPLOI AVANT D'UTILISER CE RADIATEUR. SI VOUS NE COMPRENEZ PAS CES INSTRUCTIONS OU LES ÉTIQUETTES SUR L'APPAREIL, VEUILLEZ APPELER NOS REPRÉSENTANTS DU SERVICE À LA CLIENTÈLE AU 1 800 477-0457 POUR OBTENIR DE L'AIDE AVANT D'UTILISER CET APPAREIL.

Avvertissement – Le non-respect de ces consignes de sécurité pourrait entraîner un incendie, des blessures ou le décès de la personne.

VOS RESPONSABILITÉS

Les appareils électriques peuvent exposer à des risques pouvant causer des blessures corporelles graves ainsi que le décès de la personne. L'utilisation d'appareils électriques peut entraîner des risques comprenant notamment, sans s'y limiter, des blessures corporelles, un incendie, des chocs électriques et des dommages au système électrique. Ces instructions ont pour but de vous fournir les renseignements dont vous avez besoin pour utiliser l'appareil adéquatement et pour éviter de tels risques.

Lorsque vous utilisez des appareils électriques, vous devez toujours prendre certaines précautions élémentaires pour réduire les risques d'incendie, de choc électrique ou de blessure corporelle, notamment les suivantes :

1. **Avvertissement** – Lire toutes les instructions avant d'utiliser ce radiateur.
2. **Avvertissement** – Ce radiateur est chaud lorsqu'il fonctionne. Pour éviter les brûlures, **NE PAS** laisser la peau nue entrer en contact avec les surfaces chaudes. Utiliser les poignées pour déplacer l'appareil. Garder les matières combustibles, comme les meubles, les oreillers, la literie, le papier, les vêtements et les rideaux à au moins 3 pieds (0,9 m) du devant du radiateur et loin des côtés de l'appareil.
3. **Avvertissement** – Il faut faire extrêmement attention lorsqu'un radiateur est utilisé à proximité d'enfants ou de

personnes invalides, et lorsque l'appareil fonctionne et est laissé sans surveillance.

4. **Avvertissement** – **TOUJOURS** débrancher le radiateur lorsqu'il ne fonctionne pas.
5. **Avvertissement** – **NE PAS** utiliser un radiateur dont le cordon ou la fiche sont abîmés, un radiateur qui ne fonctionne pas correctement ou un radiateur qui a été échappé ou abîmé de quelque manière que ce soit. Jeter le radiateur ou le retourner au centre de service autorisé pour examen et/ou réparation.
6. **Avvertissement** – Pour un usage résidentiel seulement.
7. **Avvertissement** – **NE PAS** utiliser l'appareil à l'extérieur.
8. **Avvertissement** – Ce radiateur n'est pas conçu pour être utilisé dans une salle de bain, une salle de lavage ni à aucun endroit semblable à l'intérieur. **NE PAS** placer le radiateur à un endroit où il pourrait tomber dans une baignoire ou autre contenant d'eau.
9. **Avvertissement** – **NE PAS** faire passer le cordon d'alimentation sous un tapis. **NE PAS** recouvrir le cordon d'une carpe, d'un chemin de couloir ou de tout recouvrement similaire. **NE PAS** faire passer le cordon sous des meubles ou des appareils. Placer le cordon loin de la circulation, de manière à éviter qu'il fasse trébucher quelqu'un.
10. **Avvertissement** – Cet appareil est muni d'une fiche polarisée (une des deux broches est plus large que l'autre). Pour réduire le risque de chocs électriques, cette fiche ne peut s'insérer que d'une seule manière dans une prise polarisée. Si les broches n'entrent pas complètement dans la prise, tourner la fiche dans l'autre sens. Si elles n'entrent toujours pas, communiquer avec un électricien qualifié. **NE PAS** essayer d'altérer ce dispositif de sécurité.
11. **Avvertissement** – Ce radiateur tire 12,5 ampères lorsqu'il fonctionne. Pour empêcher de surcharger un circuit, **NE PAS** brancher le radiateur dans un circuit qui a déjà d'autres appareils en marche.
12. **Avvertissement** – Il est normal que la fiche soit chaude au toucher; toutefois, la présence d'un jeu entre la prise (le réceptacle) et la fiche peut causer une surchauffe et une distorsion de celle-ci. Communiquer avec un électricien qualifié pour remplacer la prise usée ou instable.

13. **Avertissement** – Pour débrancher le radiateur, commencer par l'éteindre, puis saisir la fiche et la retirer de la prise électrique murale. **NE PAS** tirer sur le cordon.
14. **Avertissement** – **NE PAS** insérer ni laisser de corps étrangers pénétrer dans les ouvertures de ventilation ou d'échappement, car ils risquent de causer un choc électrique ou un incendie, ou d'endommager l'appareil.
15. **Avertissement** – Pour empêcher les risques d'incendie, **NE PAS** bloquer les entrées ni les sorties d'air de quelque manière que ce soit. **NE PAS** utiliser l'appareil sur une surface molle, comme un lit, ou à un endroit où les ouvertures pourraient être bloquées.
16. **Avertissement** – Un radiateur contient des pièces qui deviennent chaudes et qui peuvent produire des arcs ou des étincelles. **NE PAS** use it in areas where gasoline, paint or flammable liquids are used or stored.
17. **Avertissement** – N'utiliser ce radiateur que selon les instructions contenues dans ce guide d'utilisation. Toute autre utilisation non recommandée par le fabricant peut causer un incendie, un choc électrique ou des blessures corporelles.
18. **Avertissement** – **TOUJOURS** brancher le radiateur directement dans une prise murale/réceptacle. **NE PAS** utiliser une rallonge électrique ou une prise portable (prise/barre d'alimentation multiprise).
19. **Avertissement** – **JAMAIS** crocheter cet appareil ni essayer de le réparer. Toute tentative de crochelage ou de modification de cet appareil peut entraîner des blessures corporelles graves, le décès de la personne ou un incendie. **NE PAS** ouvrir l'appareil. Il y a aussi risque de choc électrique. Il n'y a pas de pièces utilisables à l'intérieur.
20. **Avertissement** – **NE PAS** enlever les étiquettes sur l'appareil contenant des avvertissements ou des consignes de sécurité.
21. **Mise en garde** – Le chauffage produit par cet appareil peut varier et sa température peut devenir suffisamment intense pour brûler la peau exposée. L'utilisation de ce radiateur n'est pas recommandée pour les personnes à sensibilité réduite à la chaleur ou incapables de réagir et d'éviter de se brûler.
22. **Mise en garde** – Avant de nettoyer ou de ranger l'appareil, ou lorsque vous ne l'utilisez pas, tourner les commandes à la position OFF/ARRÊT, débrancher l'appareil de la prise électrique et le laisser refroidir.
23. **Mise en garde** – Placer le radiateur sur une surface rigide, plane et ouverte, libre de toute obstruction, et à au moins 3 pieds (0,9 m) de toute matière combustible. **NE PAS** utiliser l'appareil sur une surface instable comme un lit ou un tapis épais. S'assurer que le radiateur n'est pas dans une position pouvant faire trébucher de petits enfants ou des animaux de compagnie.
24. **Mise en garde** – Si les fils électriques de votre maison sont en aluminium, demandez à un électricien qualifié de vérifier les connexions de votre réceptacle. Si vous utilisez un radiateur de 1500 watts, les connexions des fils d'aluminium peuvent causer des problèmes compromettant la sécurité.
25. **CONSERVER CES INSTRUCTIONS**

INSTALLATION

- Le radiateur avec ventilateur TurboForce^{MD} de Honeywell ne requiert aucun assemblage. Il suffit de sortir le radiateur de sa boîte et de conserver tout le matériel d'emballage pour le ranger en fin de saison.
- Placer le radiateur sur une surface rigide, plane et ouverte, libre de toute obstruction et à au moins 3 pieds (0,9 m) de tout mur ou matière combustible.
- **NE PAS** utiliser le radiateur sur une surface instable, comme un lit ou un tapis épais.
- **S'ASSURER QUE LE RADIATEUR N'EST PAS DANS UNE POSITION POUVANT FAIRE TRÉBUCHER DE PETITS ENFANTS OU DES ANIMAUX DE COMPAGNIE.**

DÉPLACEMENT DU RADIATEUR

Ce radiateur est muni d'une poignée encastrée pour votre commodité.
Éteignez le radiateur. Laissez-le refroidir pendant dix minutes. Débranchez le radiateur et déplacez-le.

FONCTIONNEMENT

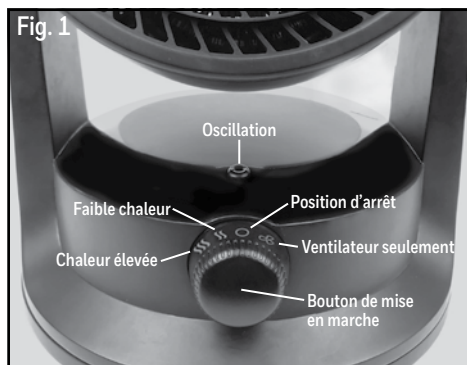
REMARQUE : Le radiateur TurboForce^{MD} de Honeywell ne requiert aucun assemblage.

REMARQUE : NE LAISSEZ JAMAIS UN RADIATEUR FONCTIONNER SANS SURVEILLANCE.

Modèle Série HHF550 – Fonctionnement manuel du radiateur TurboForce^{MD}

Le bouton de mise en marche étant dans la position ARRÊT (○), branchez le radiateur dans une prise polarisée de 120 V. **NE FORCEZ PAS LA FICHE POLARISÉE DANS LA PRISE ÉLECTRIQUE**; la fiche ne peut s'insérer que d'une seule manière.

Le bouton de mise en marche est muni de trois (3) réglages : (Fig. 1) Ventilateur seulement (⊗), Faible (⊍) et Élevé (⊎). Le Faible (⊍) réglage de chaleur utilise 750 watts de puissance et le réglage Élevé (⊎) utilise 1500 watts de puissance. Le réglage Ventilateur seulement (⊗) utilise une très faible puissance et ne fournit pas de la chaleur. Vous pouvez sélectionner le réglage approprié pour satisfaire votre confort au moyen du bouton de mise en marche. Lorsque vous choisissez un réglage, la lumière rouge du bouton de mise en marche s'allume. Le Faible (⊍) réglage de la chaleur ne requiert pas autant d'électricité pour fonctionner. Il consomme peu d'énergie et peut représenter une meilleure option si vous êtes préoccupé par l'ampérage tiré sur un circuit lorsque le radiateur est au réglage Élevé. Utilisez le réglage Ventilateur seulement pour un confort optimal durant toute l'année.



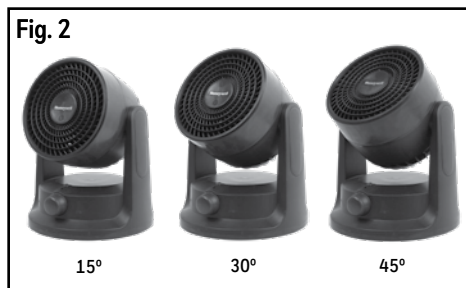
REMARQUE : Les commandes/fonctions varient légèrement selon le modèle

Le radiateur TurboForce^{MD} est aussi muni d'une tête pivotante et d'une oscillation afin de procurer un flux de chaleur de la manière et à l'endroit que vous désirez.

PIVOTEMENT DE 3 FAÇONS (Fig. 2) – la tête du radiateur peut être réglée vers le haut à 3 angles différents - 15°, 30°, 45° - pour procurer un flux de chaleur plus centré à l'intérieur de la pièce.

- L'angle de pivotement de 15° – permet à la chaleur de se diriger plus directement au niveau assis.
- L'angle de pivotement de 30° – procure un flux de chaleur au niveau debout.
- L'angle de pivotement de 45° – dirige le flux de chaleur vers le plafond. Cet angle est idéal pour aider à produire une circulation de la chaleur dans toute la pièce.

Fig. 2



OSCILLATION – le radiateur TurboForce^{MD} est aussi muni d'une fonction d'oscillation qui distribue l'air chaud dans une plus grande section pour augmenter la circulation de la chaleur dans toute la pièce.

- Pour activer la fonction d'oscillation, appuyez une fois sur le bouton d'oscillation (↻). Appuyez de nouveau sur le bouton d'oscillation pour l'arrêter.
- Tournez le bouton de mise en marche à la position ARRÊT (○) et laissez le radiateur refroidir pendant 10 minutes, puis débranchez le radiateur lorsque vous avez terminé de l'utiliser.

FONCTIONNEMENT

Modèle série HHF565 – Fonctionnement numérique du radiateur TurboForce^{MD}

Mettez le radiateur en marche en appuyant sur le bouton de mise en marche (⏻). L'indicateur de mise en marche s'allumera et le radiateur se mettra en marche au réglage de Faible intensité (SS) (Fig. 4).

Ce radiateur est muni de deux modes de fonctionnement, que vous pouvez choisir à l'aide de l'interrupteur rouge à l'arrière de l'appareil (Fig. 3) :

- Chauffage continu (∞) – le radiateur fonctionnera jusqu'à ce qu'on l'arrête manuellement.
- Mode Arrêt automatique (⌚) – le radiateur s'arrêtera automatiquement après 8 heures chaque fois que vous utilisez l'appareil. Cette fonction intégrée contribue à s'assurer que le radiateur n'est pas accidentellement laissé en marche pendant une longue période.



Fig. 3

REMARQUE : Voir la section sur la fonction d'arrêt automatique SafeGuard^{MD} pour plus d'informations sur cette fonction.

Ce radiateur est déjà préréglé à l'usine avec le mode d'arrêt automatique engagé. Lorsque l'appareil est mis en marche, l'icône Arrêt automatique (⌚) est allumée en haut du panneau de commande. Tous les éléments sont fonctionnels en mode Arrêt automatique.

Si vous ne désirez **PAS** que le radiateur s'arrête automatiquement après 8 heures, changez pour le mode Chauffage continu en appuyant simplement sur l'interrupteur rouge à l'arrière de l'appareil. Une fois sélectionné, l'icône Continu (∞) s'allume en haut du panneau de commande.

Pour sélectionner un niveau d'intensité, appuyez sur (Ⓚ) :

1. Le niveau Faible (SS) utilise 750 watts de puissance
2. Le niveau Élevé (SSS) utilise 1500 watts de puissance

REMARQUE : Le niveau Faible (SS) n'a pas besoin d'autant d'électricité pour fonctionner. Il est plus efficace du point de vue énergétique et peut représenter une meilleure option si vous êtes préoccupé par l'économie d'énergie.

Pour utiliser le ventilateur seulement (sans chauffage), appuyez sur le bouton Ventilateur (⌘).

Pour régler le thermostat, continuez d'appuyer sur le bouton Niveau d'Intensité (Ⓚ) jusqu'à ce que le voyant Auto s'allume. L'appareil compte 4 niveaux de confort préréglés parmi lesquels choisir : 18°, 21°, 24°, 27°. Continuez d'appuyer sur le bouton Niveau d'Intensité pour sélectionner la température ambiante désirée. Le radiateur fonctionnera au niveau ÉLEVÉ pour atteindre la température désirée.

REMARQUE : Si la température actuelle est plus élevée que la température désirée, le radiateur ne fonctionnera pas tant que la température ambiante n'aura pas baissé sous la température désirée.

Pour régler la minuterie, appuyez sur le bouton (⌚) pour sélectionner 1, 2, 4, ou 6 heures. Le radiateur fonctionnera pendant cette période choisie selon le mode sélectionné et s'arrêtera automatiquement à la fin de la période choisie.

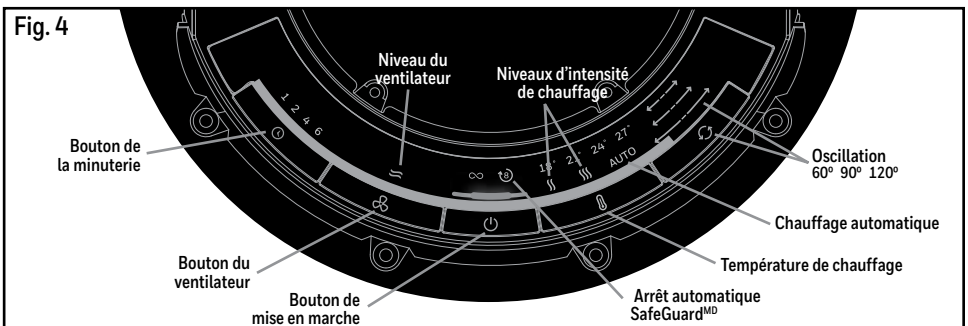


Fig. 4

OPERATION

Modèle série HHF565 – Fonctionnement numérique du radiateur TurboForce^{MD} (suite)

Le radiateur TurboForce^{MD} est aussi muni d'une tête pivotante et d'une fonction d'oscillation innovatrice pour fournir un flux de chaleur de la manière et à l'endroit que vous désirez.

PIVOTEMENT DE 3 FAÇONS (Fig. 5) – la tête du radiateur peut être réglée vers le haut à 3 angles différents - 15°, 30°, 45° - pour procurer un flux de chaleur plus centré à l'intérieur de la pièce.

- L'angle de pivotement de 15° – permet à la chaleur de se diriger plus directement au niveau assis.
- L'angle de pivotement de 30° – procure un flux de chaleur au niveau debout.
- L'angle de pivotement de 45° – dirige le flux de chaleur vers le plafond. Cet angle est idéal pour aider à produire une circulation de la chaleur dans toute la pièce.

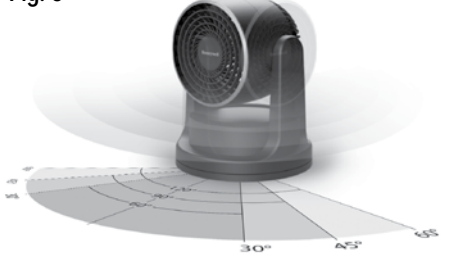
Fig. 5



OSCILLATION DE 3 FAÇONS (Fig. 6) – le radiateur TurboForce^{MD} a été conçu pour inclure une fonction d'oscillation unique à sélectionner qui de personnaliser davantage la circulation de la chaleur.

- L'angle d'oscillation de 60° - pour un flux de chaleur à l'intérieur d'une zone plus concentrée, plus personnelle.
- L'angle d'oscillation de 90° - couvre une zone plus vaste.
- L'angle d'oscillation de 120° - couvre davantage la pièce, procurant une circulation de la chaleur dans toute la pièce.

Fig. 6



FONCTION D'ARRÊT AUTOMATIQUE SAFEGUARD^{MD} (SÉRIE HHF565 SEULEMENT)

Le radiateur TurboForce^{MD} de Honeywell est muni d'une fonction d'arrêt automatique SafeGuard^{MD}. Cette fonction innovatrice est conçue pour arrêter automatiquement le radiateur après 8 heures d'utilisation continue.

Fonctionnement : Par défaut, le radiateur TurboForce^{MD} est muni de la fonction d'arrêt automatique engagée. Si vous choisissez de faire fonctionner le radiateur en mode d'arrêt automatique (☸), le radiateur s'arrêtera automatiquement après 8 heures chaque fois que vous utilisez le radiateur, à moins que vous arrêtez le radiateur avant l'arrêt automatique après 8 heures. Tous les éléments sont fonctionnels lorsque vous utilisez le radiateur en mode d'arrêt automatique. Si vous choisissez de désactiver cette fonction, l'appareil fonctionnera en mode Chauffage continu (∞).

- Appuyez sur l'interrupteur d'arrêt automatique SafeGuard^{MD} à l'arrière de l'appareil (Fig. 7) pour sélectionner Arrêt automatique ou Chauffage continu. L'icône correspondant s'allumera sur le panneau de commande pour indiquer le mode choisi.

Fig. 7



FONCTIONS DE SÉCURITÉ

Le radiateur TurboForce^{MD} de Honeywell est muni de différentes fonctions pour une protection accrue :

- Un interrupteur en cas de renversement de 360° qui désactive le radiateur s'il est renversé peu importe la direction.
- Un détecteur de sécurité en cas de température élevée qui empêche la surchauffe.
- Ce radiateur est aussi muni d'un fusible thermique pour couper le courant qui arrête le radiateur en permanence s'il fonctionne à une température plus élevée que la normale. S'il est activé, vous devrez remplacer l'appareil.
- Ce radiateur a été fabriqué dans un plastique résistant à une température élevée; Il possède un boîtier et une poignée qui sont froids au toucher.
- Ce radiateur a été conçu avec des fils thermiques isolés pour résister à la chaleur et des raccordements renforcés pour aider à protéger contre les connexions desserrées.
- Les modèles de la série HHF565 sont munis d'une fonction d'arrêt automatique SafeGuard^{MD}. Si vous la sélectionnez, cette fonction sert à arrêter automatiquement le radiateur après 8 heures de fonctionnement continu.

ENTRETIEN ET RANGEMENT

Nous vous recommandons de nettoyer le radiateur TurboForce^{MD} de Honeywell au moins une fois par mois et avant de le ranger en fin de saison.

- Éteignez (🔌) et débranchez le radiateur. Laissez l'appareil refroidir pendant 10 minutes.
- Utilisez un linge sec pour nettoyer les surfaces externes du radiateur. **N'UTILISEZ PAS D'EAU, DE CIRE, DE POLISSAGE OU DE SOLUTION CHIMIQUE.**
- Avant de ranger le radiateur TurboForce^{MD}, nettoyez-le en suivant les instructions ci-dessus. Enroulez le cordon autour de l'appareil. Placez-le dans sa boîte originale et rangez-le dans un endroit frais et sec.
- Ce radiateur ne se démonte pas.

DÉPANNAGE

Problème	Solution
Si votre radiateur TurboForce ^{MD} de Honeywell s'arrête subitement ou ne fonctionne pas, il se peut que vous ayez activé une des fonctions de sécurité du radiateur pour empêcher un surchauffage.	<ul style="list-style-type: none">• Assurez-vous que le radiateur est branché et que la prise électrique fonctionne.• Vérifiez s'il n'y a pas d'obstruction. Si vous trouvez une obstruction, éteignez le radiateur en le mettant à la position ARRÊT (🔌) et débranchez-le.• Laissez le radiateur refroidir complètement, puis retirez l'obstruction. Attendez au moins 10 minutes, puis rebranchez le radiateur et suivez les instructions de FONCTIONNEMENT.

SPÉCIFICATIONS DU PRODUIT

Modèle(s)	Dimensions de l'appareil	Ampères	Voltage	Watts max	BTU max
Série HHF550	25.6 cm L x 25.6 L x 32.0 cm H	12,5	120V, 60Hz	1500	5118
Série HHF565	25.6 cm L x 25.6 L x 32.0 cm H	12,5	120V, 60Hz	1500	5118

GARANTIE LIMITÉE DE 3 ANS

Vous devriez d'abord lire les instructions au complet avant de tenter d'utiliser cet appareil.

A. Cette garantie limitée de 3 ans s'applique à la réparation ou au remplacement d'un produit qui s'avère défectueux en raison d'un vice de matériau ou de main-d'œuvre. Cette garantie ne couvre pas les dommages résultant d'une utilisation commerciale, abusive ou excessive, ni les dommages associés. Les dommages qui résultent de l'usure normale ne sont pas considérés comme des défauts en vertu de cette garantie. **KAZ DÉCLINE TOUTE RESPONSABILITÉ EN CAS DE DOMMAGES ACCESSOIRES OU INDIRECTES DE QUELQUE NATURE QUE CE SOIT, TOUTE GARANTIE IMPLICITE DE COMMERCIALISABILITÉ OU DE PERTINENCE À DES FINS PARTICULIÈRES SUR CE PRODUIT EST LIMITÉE À LA DURÉE DE CETTE GARANTIE.** Certains territoires n'autorisent pas l'exclusion ou la limitation des dommages accessoires ou indirects, ou la limitation de la durée d'une garantie implicite, de sorte que les limites ou exclusions ci-dessus peuvent ne pas s'appliquer à vous. Cette garantie vous accorde des droits légaux particuliers, et vous pouvez avoir en plus d'autres droits qui varient selon les territoires. Cette garantie ne s'applique qu'à l'acheteur initial de ce produit, à partir de la date d'achat.

- B.** Kaz peut, à son gré, réparer ou remplacer ce produit s'il s'avère défectueux en raison d'un vice de matériau ou de main-d'œuvre.
- C.** Cette garantie ne couvre pas les dommages résultant d'une tentative non autorisée de réparer cet appareil, ni d'une utilisation non conforme à ce manuel d'instructions.

SERVICE À LA CLIENTÈLE

Des questions ou commentaires

Appelez-nous sans frais au 1 800 477-0457

Courriel : consumerrelations@kaz.com

Ou visitez notre site Web à : www.HoneywellPluggedIn.com

Assurez-vous de préciser le numéro du modèle.

REMARQUE : SI VOUS AVEZ UN PROBLÈME, VEUILLEZ D'ABORD COMMUNIQUER AVEC LE SERVICE À LA CLIENTÈLE OU RELISEZ LA GARANTIE. NE RETOURNEZ PAS L'APPAREIL À L'ENDROIT OÙ IL A ÉTÉ ACHÉTÉ INITIALEMENT. N'ESSAYEZ PAS D'OUVRIER LE BOÎTIER DU MOTEUR, CAR CE FAISANT VOUS RISQUEZ D'ANNULER LA GARANTIE, D'ENDOMMAGER L'APPAREIL OU DE VOUS BLESSER.

CONFORMITÉ FCC (HHF565)

REMARQUE (HHF565) : Cet appareil a été testé et s'avère conforme aux limites d'un appareil numérique de Classe B, conformément à la partie 15 des règlements de la FCC. Ces limites servent à fournir une protection raisonnable contre une interférence nuisible dans une installation résidentielle. Cet appareil produit, utilise et peut émettre de l'énergie radio électrique et, s'il n'est pas installé et utilisé conformément aux instructions, peut causer des interférences nuisibles aux communications radio. Toutefois, il n'y a pas de garantie qu'il ne se produira pas de l'interférence dans une installation donnée. Si cet appareil cause des interférences nuisibles à la réception radio ou télévision, qui peuvent être déterminées en mettant l'appareil en marche et en l'éteignant, nous encourageons l'utilisateur à essayer de corriger les interférences au moyen de l'une ou de plusieurs des mesures suivantes :

- Réorienter ou déplacer l'antenne de réception.
- Augmenter la distance entre l'appareil et le récepteur.
- Brancher l'appareil dans une prise sur un circuit différent de celui sur lequel le récepteur est branché.
- Consulter le détaillant ou un technicien radio/TV expérimenté pour obtenir de l'aide.

L'utilisateur est averti que s'il apporte des modifications à l'appareil sans l'approbation du fabricant, son autorisation à utiliser l'appareil pourrait être annulée.

CALEFACTOR CON VENTILADOR TURBOFORCE®

SERIES HHF550 Y HHF565



⚠️ INSTRUCCIONES IMPORTANTES DE SEGURIDAD

ADVERTENCIA – LEA Y GUARDE ESTAS INSTRUCCIONES DE OPERACIÓN Y DE SEGURIDAD ANTES DE UTILIZAR ESTE CALEFACTOR. SI NO ENTIENDE ESTAS INSTRUCCIONES O ETIQUETAS DEL PRODUCTO, POR FAVOR LLAME A NUESTROS REPRESENTANTES AL 1-800-477-0457 PARA ASISTENCIA ANTES DE USAR ESTE PRODUCTO.

Advertencia – El incumplimiento de seguir cualquiera de estas instrucciones de seguridad puede resultar en incendio, heridas o la muerte.

SUS RESPONSABILIDADES

Los aparatos eléctricos pueden exponer a las personas a peligros que pueden causar heridas severas así como la muerte. El uso de productos eléctricos pueden ocasionar peligros que incluyen, pero no están limitados a, heridas, incendio, descarga eléctrica y daño al sistema eléctrico. Estas instrucciones están pensadas para proporcionarle la información que necesita para usar el producto correctamente y evitar tales riesgos.

Cuando utilice aparatos eléctricos, debe seguir siempre las precauciones básicas para reducir el riesgo de incendio, descarga eléctrica y heridas a personas incluyendo lo siguiente:

1. **Advertencia** – Lea todas las instrucciones antes de usar este calefactor.
2. **Advertencia** – Este calefactor se calienta cuando está en uso. para evitar quemaduras, **NO** toque las superficies calientes con la piel expuesta. Use las asas cuando mueva este calefactor. Mantenga los materiales inflamables, como los muebles, almohadas, sábanas,

papeles, ropa y cortinas alejados al menos 0.9 m (3 pies) del frente y de todos los lados del calefactor.

3. **Advertencia** – Es necesaria precaución extrema cuando cualquier calefactor sea utilizado por o cerca de niños o discapacitados, y siempre que el calefactor se deje funcionando y sin supervisión.
4. **Advertencia** – **SIEMPRE** desconecte el calefactor cuando no esté en uso.
5. **Advertencia** – **NO** opere ningún calefactor con el cable o el enchufe dañados o después de un malfuncionamiento, caída o daño de cualquier tipo. Deseche el calefactor o regréselo al centro de servicio autorizado para revisión y/o reparación.
6. **Advertencia** – Sólo para uso residencial.
7. **Advertencia** – **NO** use en exteriores.
8. **Advertencia** – Este calefactor no está diseñado para utilizarse en baños, lavanderías, y áreas interiores similares. **NO** coloque el calefactor donde pueda caer en la bañera y otro contenedor de agua.
9. **Advertencia** – **NO** pase el cable debajo de la alfombra. **NO** cubra el cable con alfombrillas, tapetes y otras cubiertas similares. **NO** pase el cable debajo de muebles o aparatos eléctricos. Coloque el cable lejos del área de tráfico y donde no cause tropiezos.
10. **Advertencia** – Este dispositivo cuenta con un enchufe polarizado (una clavija es más ancha que la otra). Para reducir el riesgo de descarga eléctrica, este enchufe está diseñado para encajar en un tomacorriente polarizado sólo de manera unidireccional. Si el enchufe no encaja completamente en el tomacorriente, invíértalo. Si aún no encaja, contacte a un electricista calificado. **NO** intente anular esta característica de seguridad.
11. **Advertencia** – Este calefactor utiliza 12.5 amperes durante su operación. Para evitar una sobrecarga, **NO** enchufe el calefactor a un circuito que ya tenga otros aparatos encendidos.

12. **Advertencia** – Es normal que el enchufe se sienta caliente al tacto; sin embargo, una conexión suelta entre la salida de CA (tomacorriente) y el enchufe puede provocar sobrecarga y deformación del enchufe. Pida a un electricista capacitado que cambie el tomacorriente flojo o defectuoso.
13. **Advertencia** – Para desconectar el calefactor, primero apague el aparato, después sujete el enchufe y sáquelo del tomacorriente. **NO** tire del cable.
14. **Advertencia** – **NO** introduzca ni permita que entren objetos extraños por las entradas o salidas de aire, ya que puede causar descarga eléctrica o incendio, o daño al calefactor.
15. **Advertencia** – Para prevenir un posible incendio, **NO** tape de ninguna manera las entradas o salidas de aire. **NO** coloque en superficies blandas, como la cama o donde las aberturas puedan taparse.
16. **Advertencia** – Un calefactor contiene en su interior piezas calientes que generan arcos voltaicos o chispas. **NO** utilice el aparato en áreas donde se utilice o almacene gasolina, pintura o líquidos inflamables.
17. **Advertencia** – Use este calefactor sólo como se describe en este manual. Cualquier otro uso no recomendado por el fabricante puede causar incendio, descarga eléctrica o heridas corporales.
18. **Advertencia** – **SIEMPRE** conecte el calefactor directamente en un tomacorriente/receptáculo. **NO** utilice con un cable de extensión o un tomacorriente móvil (enchufe/contacto múltiple).
19. **Advertencia** – **NUNCA** manipule este producto o intente arreglarlo. Cualquier manipulación con, o modificación de este producto puede resultar en serias heridas, la muerte, o incendio. Riesgo de descarga eléctrica. **NO** lo abra. Riesgo de descarga eléctrica. No hay piezas útiles en el interior para el usuario.
20. **Advertencia** – **NO** quite las etiquetas del producto que contengan advertencias o instrucciones de seguridad.
21. **Precaución** – La cantidad de calor que emite este calefactor es variable y su temperatura puede llegar a ser lo suficientemente intensa para quemar la piel expuesta. El uso de este calefactor no es recomendable para personas con menor sensibilidad al calor o incapaces de reaccionar para evitar quemaduras.
22. **Precaución** – Antes de limpiar, o guardar, o cuando no esté en uso, **APAGUE** los controles del aparato y desconecte el calefactor del tomacorriente y permita que se enfríe.
23. **Precaución** – Coloque el calefactor en una superficie firme, nivelada y libre de obstáculos y al menos a 0.9 m (3 pies) de distancia de cualquier material inflamable. **NO** utilice en superficies inestables como la cama o alfombras gruesas. Asegúrese que el calefactor no esté en un lugar en donde los niños pequeños o mascotas puedan tropezarse con él.
24. **Precaución** – Si su hogar cuenta con cableado de aluminio permita que un electricista autorizado revise las conexiones de los tomacorrientes. cuando utilice un calefactor de 1500 watts, las conexiones del cableado de aluminio pueden causar problemas de seguridad.
25. **GUARDE ESTAS INSTRUCCIONES**

INSTALACIÓN

- El Calefactor con Ventilador TurboForce® de Honeywell no requiere montaje. Simplemente desempaque el calefactor y guarde todos los materiales de embalaje para almacenar fuera de temporada.
- Coloque el calefactor sobre una superficie firme, nivelada, despejada y libre de obstáculos al menos 0.9 m (3 pies) de cualquier pared o material inflamable.
- **NO** use sobre una superficie inestable como la cama o alfombras gruesas.
- **ASEGÚRESE QUE EL CALEFACTOR NO ESTÉ EN UNA POSICIÓN EN DONDE PUEDA SER DERRIBADO POR NIÑOS O MASCOTAS.**

MOVER EL CALEFACTOR

Este calefactor está equipado con un asa de transporte empotrada para su conveniencia. Apague el calefactor. Deje enfriar durante diez minutos. Desconecte el calefactor y muévelo.

OPERACIÓN

NOTA: El Calefactor TurboForce® de Honeywell no requiere ensamblaje.

NOTA: Nunca Deje Una Unidad Operando Desatendida.

Modelo de las Series HHF550 – Operación Manual del Calefactor TurboForce®

Con la Perilla de Encendido en la posición de APAGADO (○), conecte el calefactor en un tomacorriente polarizado de 120V-. **NO FUERCE EL ENCHUFE POLARIZADO EN EL TOMACORRIENTE;** es unidireccional.

La Perilla de Encendido está equipada con tres (3) ajustes: (Fig. 1) Sólo Ventilador (⊗), Bajo (Ⓢ) y Alto (ⓈⓈ). El ajuste de calor Bajo (Ⓢ) utiliza 750 watts de energía y el ajuste de calor Alto (ⓈⓈ) utiliza 1500 watts de energía. El ajuste de Sólo Ventilador (⊗) utiliza muy poca energía y no proporciona calor. Puede seleccionar, con la Perilla de Encendido, el ajuste adecuado para adaptar su nivel de confort. Cuando elija cualquier ajuste la Luz de Encendido roja se encenderá. El ajuste de calor Bajo (Ⓢ) no requiere tanta energía para operar, es más eficiente energéticamente y puede ser una mejor opción si le preocupa el amperaje utilizado por un circuito cuando el calefactor esté en el ajuste Alto. Use el ajuste de sólo Ventilador para un nivel óptimo de confort durante todo el año.



NOTA: Los controles/características variarán ligeramente según el modelo.

El Calefactor TurboForce® también está equipado con una cabeza giratoria y oscilación para proporcionar el flujo de calor cómo y dónde más lo desea.

GIRO DE 3 VÍAS (Fig. 2) – la cabeza del ventilador se puede ajustar en 3 ángulos diferentes – 15°, 30°, 45° – para proporcionar un flujo de calor más concentrado dentro de la habitación.

- El ángulo de giro de 15° – permite que el calor fluya más directamente a un nivel sentado.
- El ángulo de giro de 30° – proporciona un flujo de calor a un nivel de pie.
- El ángulo de giro de 45° – dirige el flujo de calor hacia el techo. Este ángulo es ideal para ayudar a generar circulación de calor en toda la habitación.

Fig. 2



OSCILACIÓN – el Calefactor TurboForce® también tiene una característica de oscilación, la cual distribuye el aire caliente sobre un área más amplia para aumentar la circulación de calor de la habitación.

- Para activar la característica de oscilación, presione una vez el botón de oscilación (↻). Presione de nuevo el botón de oscilación para desactivar la función de oscilación.
- Gire la Perilla de Encendido a APAGADO (○) y deje enfriar durante 10 minutos, luego desenchufe el calefactor cuando termine de utilizarlo.

OPERACIÓN

Modelo de las Series HHF565 – Operación Digital del Calefactor TurboForce®

Encienda el calefactor presionando el Botón de Encendido (🔌). El Indicador de Encendido se iluminará y el calefactor comenzará en el ajuste de nivel de calor Bajo (II) (Fig. 4).

Este calefactor tiene dos modos de funcionamiento, los cuales se puede elegir utilizando el interruptor rojo en la parte posterior de la unidad (Fig. 3):

- Calor continuo (∞) – el calefactor operará hasta que se apague manualmente.
- Modo Apagado Automático (🔌) - el calefactor se apagará automáticamente después de 8 horas cada vez que utilice el calefactor. Esta característica incorporada ayuda a garantizar que el calefactor no se deje encendido accidentalmente por un período prolongado de tiempo.



Fig. 3

NOTA: Consulte la sección de Característica de Apagado Automático SafeGuard® para obtener más información sobre esta característica.

Este calefactor viene preconfigurado de fábrica con el modo de Apagado Automático activado. Cuando la unidad esté encendida el ícono de Apagado Automático (🔌) se iluminará en la parte superior de los controles. Todas las características funcionan en el modo de Apagado Automático.

Si **NO** desea que el calefactor se apague automáticamente después de 8 horas, cambie a calor Continuo simplemente presionando el interruptor rojo en la parte posterior de la unidad. Una vez seleccionado, el ícono de calor Continuo (∞) se iluminará en la parte superior del panel de control.

Para seleccionar un Ajuste de Calor, presione (🔌):

1. Para Bajo (II), este ajuste utiliza 750 watts de energía.
2. Para Alto (III), este ajuste utiliza 1500 watts de energía.

NOTA: El ajuste Bajo (II) no requiere mucha electricidad para operar. Es más eficiente energéticamente y puede ser una mejor opción si se preocupa por ahorrar energía.

Para usar sólo Ventilador (sin calor), presione el botón de Ventilador (🌀).

Para ajustar el termostato, continúe presionando el botón de Nivel de Calor (🔌) hasta que se ilumine Auto. Hay 4 ajustes de confort predefinidos entre los que puede elegir: 65°, 70°, 75°, 80°. Continúe presionando el botón de Nivel de Calor para seleccionar el ajuste de temperatura ambiente deseado. El calefactor operará en calor ALTO con el fin de alcanzar esta temperatura deseada.

NOTA: Si la Temperatura Actual es mayor a la Temperatura Deseada, el calefactor se apagará hasta que la temperatura ambiente sea menor que la temperatura deseada.

Para ajustar el Temporizador, presione el botón (🕒) para seleccionar el ajuste de 1, 2, 4, o 6 horas. El calefactor operará durante el período elegido en el modo seleccionado y se apagará automáticamente una vez transcurrido el tiempo deseado.

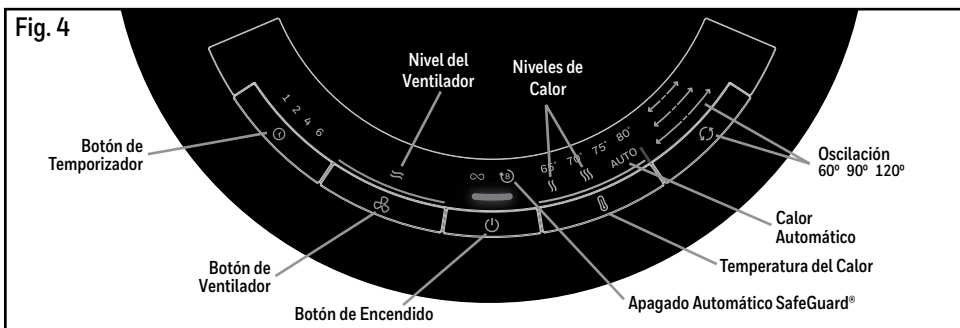


Fig. 4

OPERACIÓN

Modelo de las Series HHF565 – Operación Digital del Calefactor TurboForce® (Continuación)

El Calefactor TurboForce® también está equipado con una cabeza giratoria y una característica innovadora de oscilación para proporcionar el flujo de calor cómo y dónde más lo desea.

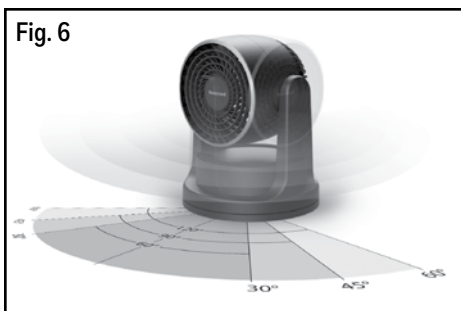
GIRO DE 3 VÍAS (Fig. 5) – la cabeza del ventilador se puede ajustar en 3 ángulos diferentes - 15°, 30°, 45° – para proporcionar un flujo de calor más concentrado dentro de la habitación.

- El ángulo de giro de 15° – permite que el calor fluya más directamente a un nivel sentado.
- El ángulo de giro de 30° – proporciona un flujo de calor a un nivel de pie.
- El ángulo de giro de 45° – dirige el flujo de calor hacia el techo. Este ángulo es ideal para ayudar a generar circulación de calor en toda la habitación.



OSCILACIÓN DE 3 VÍAS (Fig. 6) – el Calefactor TurboForce® ha sido diseñado para incluir una exclusiva característica de oscilación seleccionable que permite un enfoque aún más personalizado para la circulación de calor.

- El ángulo de oscilación de 60° – proporciona flujo de calor dentro de un área más personal y concentrada.
- El ángulo de oscilación de 90° – permite una cobertura de área más amplia.
- El ángulo de oscilación de 120° – cubre más de la habitación, proporcionando una experiencia de circulación de calor en toda la habitación.



CARACTERÍSTICA DE APAGADO AUTOMÁTICO SAFEGUARD® (Sólo Series HHF565)

El Calefactor TurboForce® de Honeywell se ha mejorado con la característica de Apagado Automático SafeGuard®. Esta característica innovadora está diseñada para apagar automáticamente el calefactor después de 8 horas de uso continuo.

Cómo funciona: De forma predeterminada, el Calefactor TurboForce® viene con una característica de Apagado Automático activada. Si elige operar el calefactor en el modo de Apagado Automático (☹), el calefactor se apagará automáticamente después de 8 horas cada vez que lo utilice, a menos que el calefactor se apague antes de la hora de apagado automático de 8 horas. Todas las características funcionan en el ajuste de apagado automático. Si opta por desactivar esta característica, la unidad operará en el modo de calor Continuo (∞).

- Presione el interruptor de Apagado Automático SafeGuard® en la parte posterior de la unidad (Fig. 7) para seleccionar el modo de Apagado Automático o de Calor Continuo. El icono correspondiente se iluminará en los controles para indicar en qué modo se encuentra.



CARACTERÍSTICAS DE SEGURIDAD

El Calefactor TurboForce® de Honeywell está equipado con diversas características y dispositivos para protección adicional:

- Un interruptor anticaidas de 360° que desactiva el calefactor si es derribado en cualquier dirección.
- Un sensor de seguridad de alta temperatura para evitar el sobrecalentamiento.
- Este calefactor también está equipado con un fusible térmico que apagará permanentemente el calefactor si opera a temperaturas más altas de lo normal. Si se activa, la unidad tendrá que ser reemplazada.
- Este calefactor fue construido utilizando plástico para alta temperatura y, tiene una carcasa y asa frías al tacto.
- Este calefactor está diseñado con cableado con aislante térmico para resistencia al calor y conexiones reforzadas para ayudar a proteger contra conexiones flojas.
- Los modelos de las Series HHF565 también incluyen la característica de Apagado Automático SafeGuard®. Si está seleccionada, esta característica está diseñada para apagar automáticamente el calefactor después de 8 horas de uso continuo.

LIMPIEZA Y ALMACENAMIENTO

Le recomendamos limpiar el Calefactor TurboForce® de Honeywell al menos una vez al mes y antes de guardarlo al final de la temporada.

- Apague (🔌) y desconecte el calefactor. Deje enfriar la unidad durante 10 minutos.
- Utilice un paño seco sólo para limpiar las superficies externas del calefactor. **NO UTILICE AGUA, CERAS, ABRILLANTADORES O CUALQUIER SOLUCIÓN QUÍMICA.**
- Antes de almacenar, limpie el Calefactor TurboForce® utilizando los pasos mencionados arriba. Enrolle el cable alrededor de la unidad. Colóquelo en la caja original y guarde en un lugar fresco y seco.
- Este calefactor no se desarma.

SOLUCIÓN DE PROBLEMAS

Problema	Solución
Si su Calefactor TurboForce® de Honeywell se apaga inesperadamente o deja de funcionar, una de las características de seguridad de su calefactor puede estar activada para prevenir el sobrecalentamiento.	<ul style="list-style-type: none">• Asegúrese que el calefactor esté conectado y que el tomacorriente funcione.• Revise que no haya obstrucciones. En caso afirmativo, APAGUE (🔌) el calefactor y desconéctelo.• Deje enfriar completamente y retire la obstrucción. Espere al menos 10 minutos, luego vuelva a conectar el calefactor y siga las instrucciones de OPERACIÓN.

ESPECIFICACIONES DEL PRODUCTO

Modelo(s)	Dimensiones de la Unidad	Amps	Voltaje de la Unidad	Watts Máx.	BTUs Máx.
Series HHF550	25.6 cm L x 25.6 cm A x 32 cm A	12.5	120V~, 60Hz	1500	5118
Series HHF565	25.6 cm L x 25.6 cm A x 32 cm A	12.5	120V~, 60Hz	1500	5118

GARANTÍA LIMITADA DE 3 AÑOS

Antes de usar este producto, por favor lea completamente las instrucciones.

- A.** La presente garantía limitada de 3 años cubre la reparación o reemplazo del producto si éste presenta un defecto de fábrica o de mano de obra. Esta garantía excluye todo daño resultante del uso comercial, abusivo o inadecuado del producto, o de daños asociados. Los defectos resultantes del desgaste normal no se consideran defectos de fábrica en virtud de la presente garantía. **KAZ NO SERÁ CONSIDERADA RESPONSABLE DE DAÑOS FORTUITOS O INDIRECTOS DE NINGÚN TIPO. TODA GARANTÍA IMPLÍCITA DE CALIDAD COMERCIAL O DE CONVENIENCIA CON UN FIN ESPECÍFICO RELACIONADA CON ESTE PRODUCTO TENDRÁ LA MISMA VIGENCIA QUE LA PRESENTE GARANTÍA.** En ciertos lugares no se permite la exclusión o limitación de daños fortuitos o indirectos, ni los límites de duración aplicables a una garantía implícita. Por consiguiente, es posible que estas limitaciones o exclusiones no se apliquen en su caso. Esta garantía le confiere ciertos derechos legales específicos. Es posible que usted también tenga otros derechos legales, los que varían según la jurisdicción. La presente garantía sólo es válida para el comprador inicial del producto a partir de la fecha de compra.

- B.** A su discreción, Kaz reparará o reemplazará el presente producto si se constata que presenta un defecto de fábrica o de mano de obra.
- C.** Esta garantía no cubre los daños ocasionados por tentativas de reparación no autorizadas o por todo uso que no esté en concordancia con el presente manual.

SERVICIO AL CLIENTE

Preguntas o comentarios

Llámenos lada gratuita al: 1-800-477-0457

Correo electrónico: consumerrelations@kaz.com

O visite nuestro sitio web: www.HoneywellPluggedIn.com

Por favor asegúrese de especificar el número de modelo.

NOTA: SI TIENE PROBLEMAS, POR FAVOR CONTACTE PRIMERO A SERVICIO AL CLIENTE O CONSULTE SU GARANTÍA. NO DEVUELVA EL CALEFACTOR AL LUGAR ORIGINAL DE COMPRA. NO INTENTE ABRIR LA CARCASA DEL MOTOR USTED MISMO, HACERLO PODRÍA ANULAR SU GARANTÍA Y CAUSAR DAÑO AL PRODUCTO O DAÑOS CORPORALES.

CONFORMIDAD CON FCC (HHF565)

NOTA: Este equipo ha sido probado y cumple con los límites para un dispositivo digital Clase B, según la Parte 15 del Reglamento FCC. Estos límites están diseñados para proporcionar protección razonable contra interferencia dañina en una instalación residencial. Este equipo genera, utiliza y puede irradiar energía de radiofrecuencia y, si no es instalado y utilizado según las instrucciones, puede causar interferencia perjudicial a comunicaciones de radio. Sin embargo, no hay ninguna garantía de que no habrá interferencias en una instalación en particular. Si este equipo causa interferencia dañina a la recepción de radio o de televisión, que puede determinarse apagado y encendiendo el equipo, se recomienda al usuario intentar

corregir la interferencia por uno o más de las siguientes medidas:

- Reoriente o reubique la antena receptora.
- Aumente la separación entre el equipo y el receptor.
- Conecte el equipo a un tomacorriente de un circuito diferente al cual está conectando el receptor.
- Consulte al distribuidor o un técnico experimentado de radio TV para obtener ayuda.

Se advierte al usuario que los cambios o modificaciones realizadas en el equipo sin la aprobación del fabricante podrían anular la autoridad del usuario para operar el equipo.

In US

For responsible recycling, please visit:

RECYCLE  NATION

www.RecycleNation.com

© 2019 All rights reserved.

Kaz USA, Inc., a Helen of Troy Company, Marlborough, MA 01752

Distributed by Kaz Canada, Inc., a Helen of Troy Company
6700 Century Avenue, Suite 210, Mississauga, Ontario L5N 6A4

www.HoneywellPluggedIn.com/Heaters
consumerrelations@kaz.com

Honeywell is a trademark of Honeywell International Inc.,
used under license by Helen of Troy Limited.

SafeGuard®, Turbo Force® and Safety Matters™ are trademarks of
Helen of Troy Limited.

© 2019 Tous droits réservés.

Kaz USA, Inc., une société de Helen of Troy, Marlborough, MA 01752

Distribué par Kaz Canada, Inc., une société de Helen of Troy
6700 Century Avenue, Suite 210, Mississauga, Ontario L5N 6A4

www.HoneywellPluggedIn.ca
consumerrelations@kaz.ca

Honeywell est une marque de commerce de Honeywell International, Inc.
qu'utilise Helen of Troy Limited sous licence.

SafeGuard^{MD}, Turbo Force^{MD} et Safety Matters^{MC} sont des marques de
commerce de Helen of Troy Limited.

En EE.UU.

Para reciclar responsablemente,
por favor visite:

RECYCLE  NATION

www.RecycleNation.com

© 2019 Todos los derechos reservados.

Kaz USA, Inc., una Empresa de Helen of Troy, Marlborough, MA 01752

Distribuido por Kaz Canada, Inc., una Empresa de Helen of Troy
6700 Century Avenue, Suite 210, Mississauga, Ontario L5N 6A4

www.HoneywellPluggedIn.com/Heaters
consumerrelations@kaz.com

Honeywell es una marca registrada de Honeywell International Inc.,
utilizada bajo licencia por Helen of Troy Limited

SafeGuard®, Turbo Force® y Safety Matters™ son marcas registradas de
Helen of Troy Limited.

A003307R0
050319

Free Manuals Download Website

<http://myh66.com>

<http://usermanuals.us>

<http://www.somanuals.com>

<http://www.4manuals.cc>

<http://www.manual-lib.com>

<http://www.404manual.com>

<http://www.luxmanual.com>

<http://aubethermostatmanual.com>

Golf course search by state

<http://golfingnear.com>

Email search by domain

<http://emailbydomain.com>

Auto manuals search

<http://auto.somanuals.com>

TV manuals search

<http://tv.somanuals.com>