

# **Thor CV31, CV41, & CV61**

Screen Blanking Box

**Installation Instructions**

# Contents

|   |   |
|---|---|
| About the Screen Blanking Box . . . . .       | 3 |
| Before You Begin . . . . .                    | 3 |
| What You Need . . . . .                       | 3 |
| How to Create a Custom Serial Cable . . . . . | 4 |
| Mount the Screen Blanking Box . . . . .       | 5 |
| Wire the Screen Blanking Box . . . . .        | 5 |
| Enable Screen Blanking . . . . .              | 7 |

# About the Screen Blanking Box

The screen blanking box helps improve operator safety and reduce driver distractions by turning off the computer display when the vehicle is in motion.

The screen blanking box monitors the connection of a vehicle motion sensing circuit. When motion is detected, the blanking box opens the connection, which turns off the computer display. When motion is no longer detected, the blanking box connects the output feeds and the display turns on again.



**Caution: The screen blanking box should only be installed by trained service personnel.**

## Before You Begin

Before you install the screen blanking box, you need to supply power to the vehicle mount computer. For information about the power supplies supported by your computer, see the computer user manual.

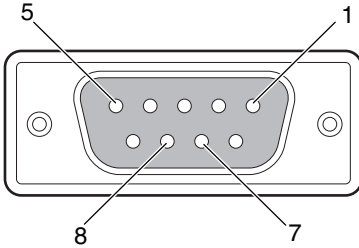
## What You Need

To install and wire the screen blanking box, you need these parts and tools (not included):

- Custom serial cable
- Mounting hardware and tools
- Grounding wire
- Input power cable with 3 Amp maximum time delay (slow blow) high-interrupting rated fuse

# How to Create a Custom Serial Cable

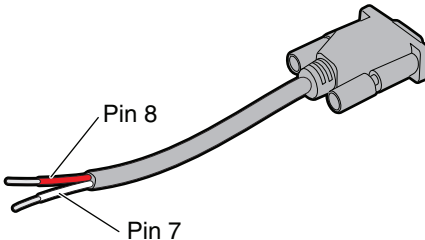
You need to create a DB9 connector serial cable to connect from the screen blanking box to the vehicle mount computer.



## **Custom Serial Cable Pinouts**

### **Custom Serial Cable Pin Assignments**

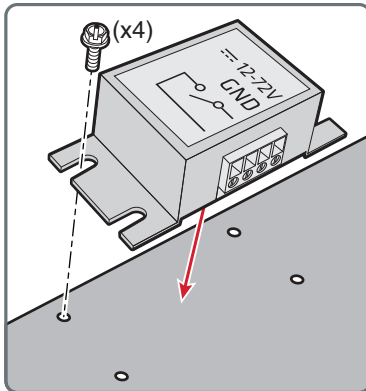
| Pin | Signal   | Description            |
|-----|----------|------------------------|
| 1   | Not used |                        |
| 2   | Not used |                        |
| 3   | Not used |                        |
| 4   | Not used |                        |
| 5   | Not used |                        |
| 6   | Not used |                        |
| 7   | RTS      | Request to send output |
| 8   | CTS      | Clear to send input    |
| 9   | Not used |                        |



**Sample Custom Serial Cable**

# Mount the Screen Blanking Box

- 1 Select a mounting location for the screen blanking box.
- 2 Secure the screen blanking box to the vehicle using appropriate mounting hardware (not supplied).



# Wire the Screen Blanking Box

You need to connect the grounding wire, input power cable with 3 Amp fuse, and custom serial cable to the screen blanking box.



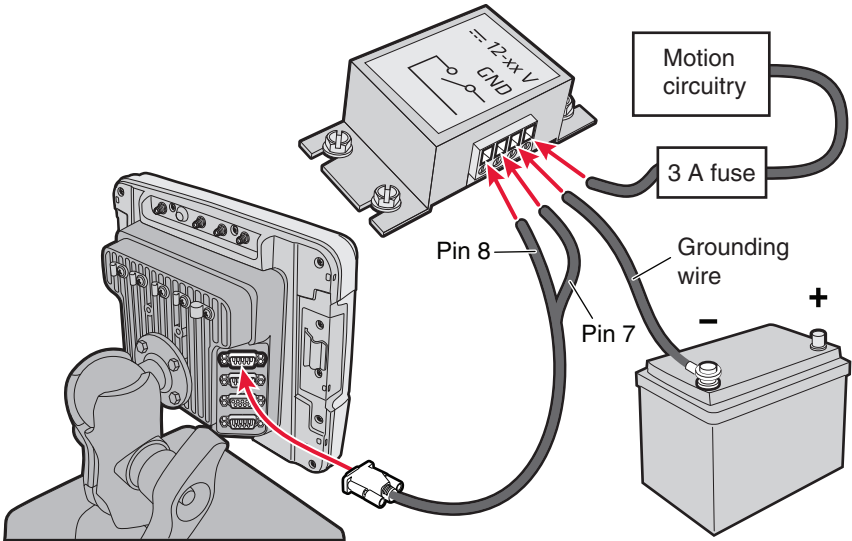
**Caution:** Refer to the label on the screen blanking box for allowable input voltage range.



**Note:** The motion sensing circuitry should be powered by the internal vehicle circuitry. A typical motion sensing circuit is the parking brake switch of a forklift.

**1** Connect the grounding wire:

- a** Connect one end of the grounding wire to the **GND** switch on the screen blanking box.
- b** Connect the other end of the grounding wire to the negative (-) battery terminal.



**2** Connect the input power cable with 3 Amp fuse:

- a** Connect one end of the vehicle motion sensing cable to the input power switch on the screen blanking box.
- b** Connect the other end of the cable to the vehicle motion circuitry, such as the parking brake switch.

**3** Connect the custom serial cable:

- a** Connect Pin 7 to the switch connection.
- b** Connect Pin 8 to the closed connection.
- c** Connect the serial cable to the COM1 or COM2 port on your computer.

# Enable Screen Blanking

Use Intermec Settings on the vehicle mount computer to enable screen blanking. For more information about Intermec Settings, see your computer user manual.

- 1 On your computer, start Intermec Settings.
- 2 Select **Device Settings > Screen > Screen Blanking on Motion**.
- 3 In **Screen blanking on motion**, select the COM port the serial cable is connected to: **COM1** or **COM2**.
- 4 In **Screen-on delay after motion stops (sec)**, enter the amount of time that you want the vehicle to be stationary before the display turns on again.
- 5 Tap **OK**. Screen blanking is enabled.

## **Honeywell Scanning & Mobility**

9680 Old Bailes Road  
Fort Mill, SC 29707  
[www.honeywellaidc.com](http://www.honeywellaidc.com)

Thor CV31, CV41, & CV61 Screen Blanking Box Installation Instructions



P/N 943-371-003



## Free Manuals Download Website

<http://myh66.com>

<http://usermanuals.us>

<http://www.somanuals.com>

<http://www.4manuals.cc>

<http://www.manual-lib.com>

<http://www.404manual.com>

<http://www.luxmanual.com>

<http://aubethermostatmanual.com>

Golf course search by state

<http://golfingnear.com>

Email search by domain

<http://emailbydomain.com>

Auto manuals search

<http://auto.somanuals.com>

TV manuals search

<http://tv.somanuals.com>