



QuadCharger

4-Slot Common Battery Charger

Quick Start Guide



Overview

The QuadCharger (COMMON-QC) is a compact 4-slot battery charging station for select Li-ion batteries manufactured for Honeywell for use in terminals and sleds.

The COMMON-QC is designed for use with the following batteries:

Model No.	Part No.	Specification
70e-BTSC	BAT-STANDARD-01 BAT-STANDARD-02	Li-ion 3.7V, 6.179 watt hour
70e-BTEC	BAT-EXTENDED-01 BAT-EXTENDED-02 60s-BATT-1	Li-ion 3.7V, 12.358 watt hour



RISK OF EXPLOSION IF BATTERY IS REPLACED BY AN INCORRECT TYPE. The battery should be disposed of by a qualified recycler or hazardous materials handler. Do not incinerate the battery or dispose of the battery with general waste materials.



MISE EN GARDE : RISQUE D'EXPLOSION SI LA PILE EST REMPLACÉE PAR UNE PILE D'UN MAUVAIS TYPE. La pile doit être jetée par un recycleur compétent ou un responsable des marchandises dangereuses. Ne pas incinérer la pile ou la jeter avec les déchets généraux.



We recommend use of Honeywell peripherals, power cables, and power adapters. Use of any non-Honeywell peripherals, cables, or power adapters may cause damage not covered by the warranty.



Nous recommandons d'utiliser des périphériques, des câbles d'alimentation et des adaptateurs électriques de marque Honeywell. L'utilisation de tout périphérique, câble ou adaptateur secteur d'une autre marque est susceptible de provoquer des dommages non couverts par la garantie.

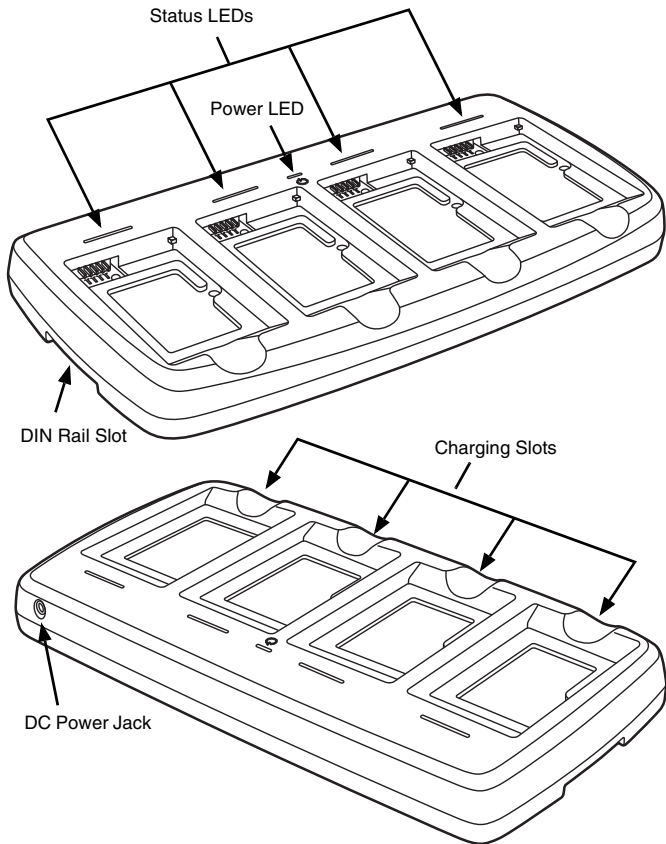
Out of the Box

Verify that your carton contains the following items:

- QuadCharger (Model: COMMON-QC)
- Power supply cable with regional plug adapter

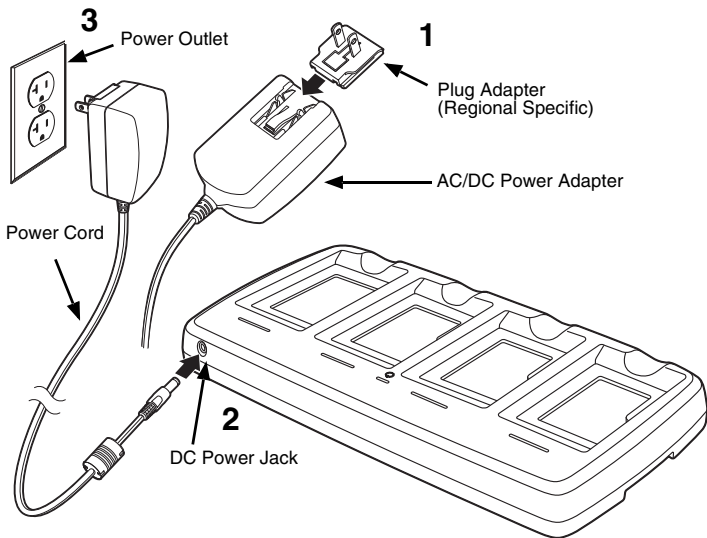
If any items are missing or appear damaged, contact your Customer Account Representative. Keep the original packaging in case you need to return the QuadCharger for service or to store the charger while not in use.

Key Components



Power

Use only a UL Listed power supply, which has been qualified by Honeywell with an output rated at 5VDC and 3A with the device. The power supply input rating is 100-240V, 50/60Hz, and 0.8A. Operating temperature 0°C-50°C (32°F-122°F).



Power LED

The power LED indicates if the QuadCharger is powered and operational. When the QuadCharger is receiving power, the LED illuminates green.

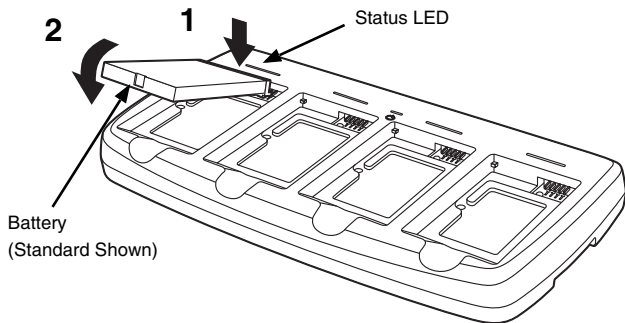
Charging Batteries



Ensure all components are dry prior to mating batteries with peripheral devices. Mating wet components may cause damage not covered by the warranty.



Assurez-vous que tous les composants sont secs avant de connecter les terminaux/batteries à des périphériques. L'insertion de composants humides risque de provoquer des dommages non couverts par la garantie.



Status LED

Each charging slot has a dedicated status LED located above the slot.

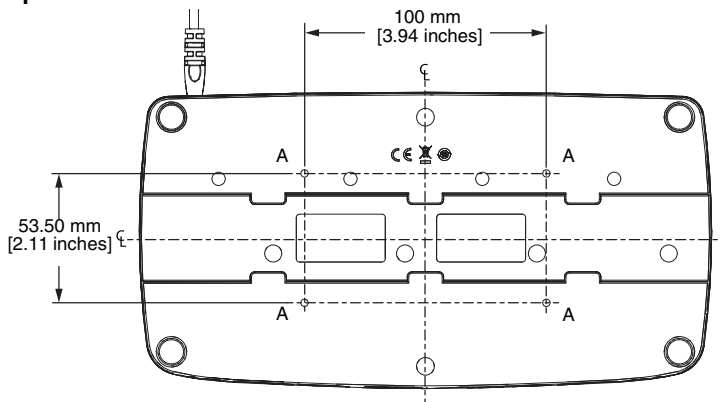
LED Status	Indicates
Orange (Solid)	The battery is properly seated in the slot and is charging.
Green (Solid)	The battery is fully charged.
Off	No battery is installed, the battery is improperly installed, or a battery error has occurred.

Mounting the QuadCharger

The charger should be on a dry, stable surface and can be mounted on a flat, horizontal surface such as a desktop or workbench. When choosing a location, always keep in mind:

- The mounting location must allow users easy access to the power connector.
- The charger should be oriented so that users can easily insert and remove battery packs and see the LEDs.

Option 1



Item	Size	Qty.
A	Mounting holes for M3 self tapping screws, maximum thread depth of 7 mm.	4

Option 2

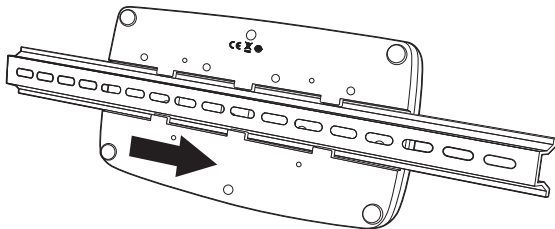
The DIN rail slot on the bottom panel enables secure mounting to a horizontal surface using the optional Din rail.

Hardware Required

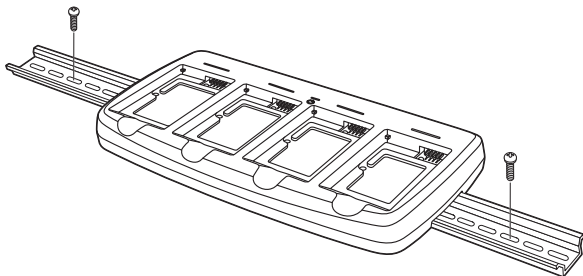
- DIN rail
- 3/16 in. dia. x 5/8 in. long pan head screw
- 1/2 in. OD x 7/32 in. ID x 3/64 in. thick flat washer
- 3/16 in. dia. nut

Installation

1. Slide the DIN rail into the DIN rail slot (7.5 X 35 mm) on the bottom of the QuadCharger.



2. Then, using the appropriate hardware above, secure the DIN rail to the desktop.



Agency Information

USA

FCC Part 15 Subpart B Class B

This device complies with part 15 of the FCC Rules. Operation is subject to the following two conditions:

1. This device may not cause harmful interference.
2. This device must accept any interference received, including interference that may cause undesired operation.

Para su uso en México, la operación de este equipo está sujeta a las siguientes dos condiciones:

1. es posible que este equipo o dispositivo no cause interferencia perjudicial y
2. este equipo o dispositivo debe aceptar cualquier interferencia, incluyendo la que pueda causar su operación no deseada.

This equipment has been tested and found to comply with the limits for a Class B digital device pursuant to part 15 of the FCC Rules. These limits are designed to provide reasonable protection against harmful interference in a residential installation. This equipment generates, uses, and can radiate radio frequency energy and, if not installed and used in accordance with the instructions, may cause harmful interference to radio communications. However, there is no guarantee that interference will not occur in a particular installation. If this equipment does cause harmful interference to radio or television reception, which can be determined by turning the equipment off and on, the user is encouraged to try to correct the interference by one or more of the following measures:

- Reorient or relocate the receiving antenna.
- Increase the separation between the equipment and receiver.
- Connect the equipment into an outlet on a circuit different from that to which the receiver is connected.
- Consult the dealer or an experienced radio or television technician for help.

If necessary, the user should consult the dealer or an experienced radio/television technician for additional suggestions. Honeywell is not responsible for any radio or television interference caused by unauthorized modifications of this equipment or the substitution or attachment of connecting cables and equipment other than those specified by Honeywell. The correction is the responsibility of the user.



Caution: Any changes or modifications made to this equipment not expressly approved by Honeywell may void the FCC authorization to operate this equipment.

Industry Canada ICES-003

This Class B digital apparatus complies with Canadian ICES-003. Operation is subject to the following conditions:

1. This device may not cause harmful interference.
2. This device must accept any interference received, including interference that may cause undesired operation.

Conformité à la réglementation canadienne

Cet appareil numérique de la Classe B est conforme à la norme NMB-003 du Canada. Son fonctionnement est assujéti aux conditions suivantes:

1. Cet appareil ne doit pas causer de brouillage préjudiciable.
2. Cet appareil doit pouvoir accepter tout brouillage reçu, y compris le brouillage pouvant causer un fonctionnement indésirable.

Europe



The CE marking indicates compliance with the following directives:

- 2014/30/EU EMC
- 2011/65/EU RoHS (Recast)

In addition, complies to 2014/35/EU Low Voltage Directive, when shipped with recommended power supply.

European contact:

Hand Held Products Europe B.V.
Lagelandseweg 70
6545CG Nijmegen
The Netherlands



Le marquage CE indique la conformité avec les directives suivantes:

- 2014/30/EU CEM
- 2011/65/UE – RoHS (Refonte)

De plus, ce produit est conforme à la Directive européenne 2014/35/EU relative aux basses tensions lorsqu'il est expédié avec le bloc d'alimentation recommandé. Personne-ressource en Europe :

Hand Held Products Europe B.V.
Lagelandseweg 70
6545CG Nijmegen
Les Pays-Bas

- CE** Le marquage CE indique la conformité aux directives suivantes :
- 2014/30/EU CEM
 - 2011/65/UE RoHS (refonte)

De plus, indique la conformité à la directive 2014/35/EU Basse tension, lorsque le dispositif est livré avec l'alimentation électrique recommandée. Contact en Europe :
Hand Held Products Europe B.V.
Lagelandseweg 70
6545CG Nijmegen
Pays-Bas

- CE** Die CE-Kennzeichnung signalisiert die Konformität mit folgenden Richtlinien:
- 2014/30/EU EMV
 - 2011/65/EU RoHS (Recast)

Weiterhin entspricht dieses Produkt der Niederspannungsrichtlinie 2014/35/EU, wenn es mit dem empfohlenen Netzteil geliefert wird. Ansprechpartner Europa:
Hand Held Products Europe B.V.
Lagelandseweg 70
6545CG Nijmegen
Niederlande

- CE** La marcatura CE indica conformità alle seguenti direttive:
- 2014/30/EU CEM
 - RoHS 2011/65/UE (rifusione)

È inoltre conforme ai sensi della Direttiva bassa tensione 2014/35/EU, se spedito con l'alimentatore consigliato. Contatto in Europa:
Hand Held Products Europe B.V.
Lagelandseweg 70
6545CG Nijmegen
Paesi Bassi

- CE** La marca CE indica el cumplimiento de las siguientes normativas:
- 2014/30/EU EMC
 - 2011/65/EU RoHS (Refundida)

Asimismo, cumple la normativa de bajo voltaje 2014/35/EU cuando se envía con la fuente de alimentación recomendada. Contacto europeo:
Hand Held Products Europe B.V.
Lagelandseweg 70
6545CG Nijmegen
Países Bajos

CE La indicación CE indica el cumplimiento con las siguientes directivas:

- 2014/30/EU EMC
- 2011/65/EU RoHS (Reformulada)

Además, cumple con la directiva de bajo voltaje 2014/35/EU cuando se envía con la fuente de poder recomendada. Contacto europeo:
Hand Held Products Europe B.V.
Lagelandseweg 70
6545CG Nijmegen
Países Bajos

CE CE 标记表示符合以下指令:

- 2014/30/EU EMC
- 2011/65/EU RoHS (新版)

此外, 在随附建议的电源时, 设备还符合 2014/35/EU 低电压指令的要求。欧洲联系信息:
Hand Held Products Europe B.V.
Lagelandseweg 70
6545CG Nijmegen
The Netherlands

CE CE マークは、本装置が次の指令に準拠していることを示します。

- 2014/30/EU EMC
- 2011/65/EU RoHS (改正)

また、推奨電源付きで出荷されている場合は、2014/35/EU Low Voltage Directiveにも準拠しています。欧州でのお問い合わせ:
Hand Held Products Europe B.V.
Lagelandseweg 70
6545CG Nijmegen
The Netherlands

CE A marca CE indica conformidade com as seguintes diretivas:

- 2014/30/EU EMC
- 2011/65/EU RoHS (Reformulação)

Além disso, o produto está em conformidade com a Diretiva para baixa tensão 2014/35/EU, quando fornecido com a fonte de alimentação recomendada. Contato na Europa:
Hand Held Products Europe B.V.
Lagelandseweg 70
6545CG Nijmegen
Holanda

CE CE 標記表示符合下列指令:

- 2014/30/EU EMC
- 2011/65/EU RoHS (重訂)

此外, 出廠時如附帶建議的電源, 亦符合 2014/35/EU 低電壓指令。歐洲聯絡資訊:
Hand Held Products Europe B.V.
Lagelandseweg 70
6545CG Nijmegen
The Netherlands

CE CE 마크는 다음 지침을 준수함을 나타냅니다.

- 2014/30/EU EMC
- 2011/65/EU RoHS (Recast)

또한, 권장 전원 공급장치와 함께 배송된 경우에는 2014/35/EU Low Voltage Directive (저전압 지침) 를 준수합니다. 유럽 연락처:
Hand Held Products Europe B.V.
Lagelandseweg 70
6545CG Nijmegen
The Netherlands



Маркировка CE означает соответствие требованиям следующих директив:

- 2014/30/EU Директива по электромагнитной совместимости (ЭМС)
- 2011/65/EU Директива RoHS (исправленная)

Кроме того, соответствует требованиям директивы по низковольтному оборудованию 2014/35/EU при поставке с рекомендованным источником питания. Контактное лицо в Европе:

Hand Held Products Europe B.V.
Lagelandseweg 70
6545CG Nijmegen
The Netherlands

تشير علامة CE إلى الالتزام
بالمعايير التالية :

2014/30/EU EMC •
2011/65/EU RoHS •

(إعادة الصياغة)
بالإضافة إلى ذلك، تلتزم بمعيار الجهد المنخفض
2014/35/EU وذلك عند الاستخدام مع مصدر
الطاقة الجوى به.
جهة الاتصال في أوروبا:

Hand Held Products Europe B.V.
Lagelandseweg 70
6545CG Nijmegen
The Netherlands



Product Environmental Information

Refer to www.honeywellaidc.com/environmental for the RoHS / REACH / WEEE information.



产品中有害物质的名称及含量 (Names and Content of Hazardous Substances in the Product)

部件名称 (Parts Name)	有害物质 (Hazardous Substance)					
	铅 (Pb)	汞 (Hg)	镉 (Cd)	六价铬 (Cr6+)	多溴联苯 (PBB)	多溴二苯醚 (PBDE)
印刷电路板组件 (PCBA)*	x	o	o	o	o	o
充电器 (Adapter)	x	o	o	o	o	o
外壳 (Housing)	o	o	o	o	o	o
电源线 (Power Cord)	x	o	o	o	o	o

本表格依据 SJ/T 11364 的规定编制。(The table is created in accordance to SJ/T 11364.)

o: 表示该有害物质在该部件所有均质材料中的含量均在 GB/T 26572 标准规定的限量要求以下。

(Indicates that this hazardous substance contained in all of the homogeneous materials for this part is below the limit requirement in China's GB/T 26572.)

x: 表示该有害物质至少在该部件的某一均质材料中的含量超出 GB/T 26572 标准规定的限量要求。(Indicates that this hazardous substance contained in at least one of the homogeneous materials for this part is above the limit requirement in China's GB/T 26572.)

印刷电路板组件 (PCBA)*:

包括印刷电路板及其零部件、电容、电阻和连接器等。根据型号的不同,可能不会含有以上的所有部件,请以实际购买型号为准 (PCBA*: Including PCB and its components, capacitances, resistances, and connectors, not all of which are contained in end product, the actual model may differ.)

Support

To search our knowledge base for a solution or log into the Technical Support portal and report a problem, go to www.hsmcontactsupport.com.

Limited Warranty

For warranty information, go to www.honeywellaidc.com and click **Resources > Warranty**.

Patents

For patent information, see www.hsmpats.com.

Disclaimer

Honeywell International Inc. (“HII”) reserves the right to make changes in specifications and other information contained in this document without prior notice, and the reader should in all cases consult HII to determine whether any such changes have been made. The information in this publication does not represent a commitment on the part of HII.

HII shall not be liable for technical or editorial errors or omissions contained herein; nor for incidental or consequential damages resulting from the furnishing, performance, or use of this material.

This document contains proprietary information that is protected by copyright. All rights are reserved. No part of this document may be photocopied, reproduced, or translated into another language without the prior written consent of HII.

Copyright © 2014-2016 Honeywell International Inc. All rights reserved.

Free Manuals Download Website

<http://myh66.com>

<http://usermanuals.us>

<http://www.somanuals.com>

<http://www.4manuals.cc>

<http://www.manual-lib.com>

<http://www.404manual.com>

<http://www.luxmanual.com>

<http://aubethermostatmanual.com>

Golf course search by state

<http://golfingnear.com>

Email search by domain

<http://emailbydomain.com>

Auto manuals search

<http://auto.somanuals.com>

TV manuals search

<http://tv.somanuals.com>