

# PW7K1R1

## INSTALLATION AND SPECIFICATIONS

---

# Install Guide

---

**Copyright © 2020 Honeywell. All rights reserved.**

All product and brand names are the service marks, trademarks, registered trademarks, or registered service marks of their respective owners. Printed in the United States of America. Honeywell reserves the right to change any information in this document at any time without prior notice.

Pro-Watch® is a trademark of Honeywell International, Inc.

**Ordering Information**

Please contact your local Honeywell representative or visit us on the web at [www.honeywellintegrated.com](http://www.honeywellintegrated.com) for information about ordering.

**Feedback**

Honeywell appreciates your comments about this manual. Please visit us on the web at [www.honeywellintegrated.com](http://www.honeywellintegrated.com) to post your comments.

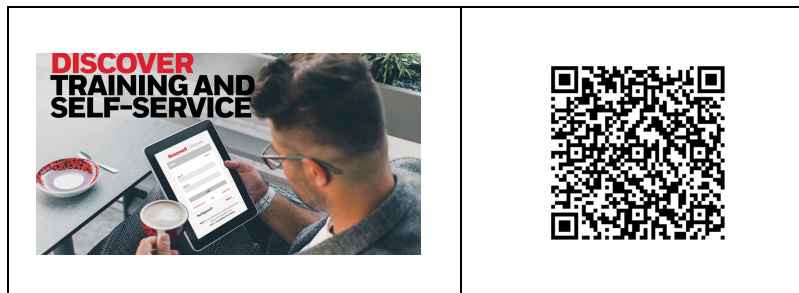
**DISCLAIMER**

This device complies with part 15 of the FCC Rules. Operation is subject to the following two conditions: (1) This device may not cause harmful interference, and (2) this device must accept any interference received, including interference that may cause undesired operation.

**Discover | Customer Portal**

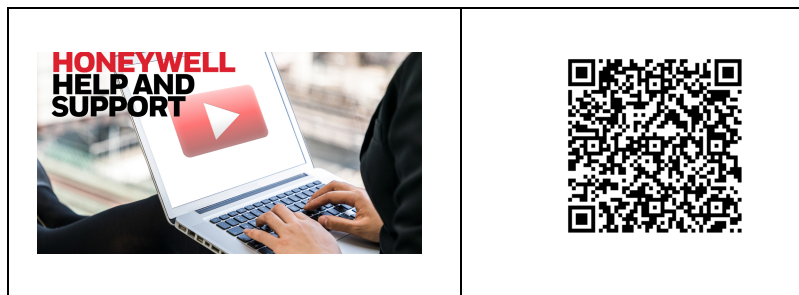
**Self-Service Product Support and Learning Management System**

<https://honeywelldiscovertraining.com/login/discover/default.asp>



**YouTube | Honeywell Help and Support**

[https://www.youtube.com/channel/UCBEL6ouNV\\_LN5IEpYRujMTg/featured](https://www.youtube.com/channel/UCBEL6ouNV_LN5IEpYRujMTg/featured)



# TABLE OF CONTENTS

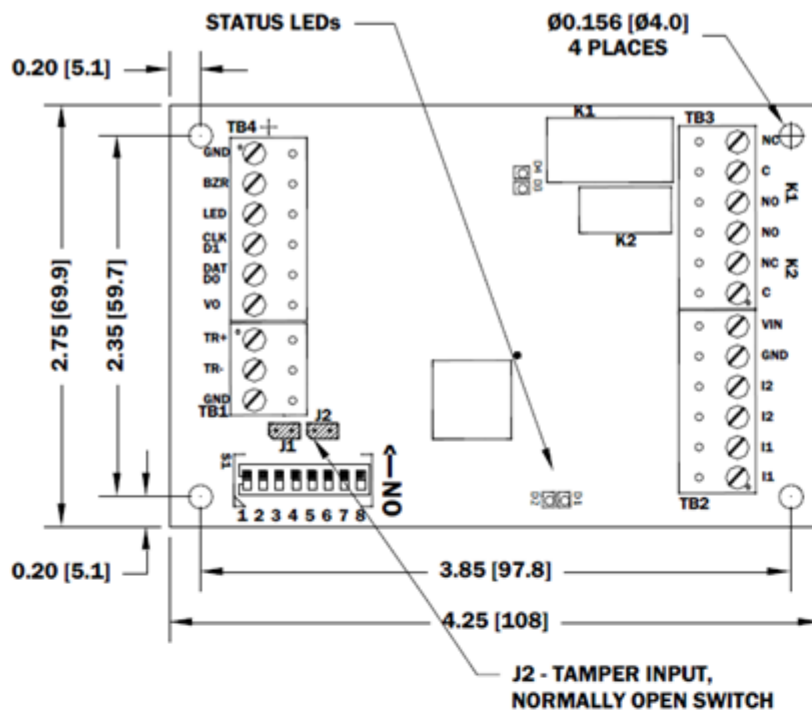
<b>Chapter 1 - Installation And Specification .....</b>	<b>1</b>
General.....	1
PW7K1R1 Hardware .....	2
Reader wiring.....	3
Door Strike Relay Wiring .....	4
Communication Wiring .....	5
Address Baud Rate and Encryption Configuration Switch .....	6
Status LEDs .....	7
Specifications.....	8
Warranty.....	9
Liability .....	9

(This page is intentionally left blank)

# INSTALLATION AND SPECIFICATION

## General

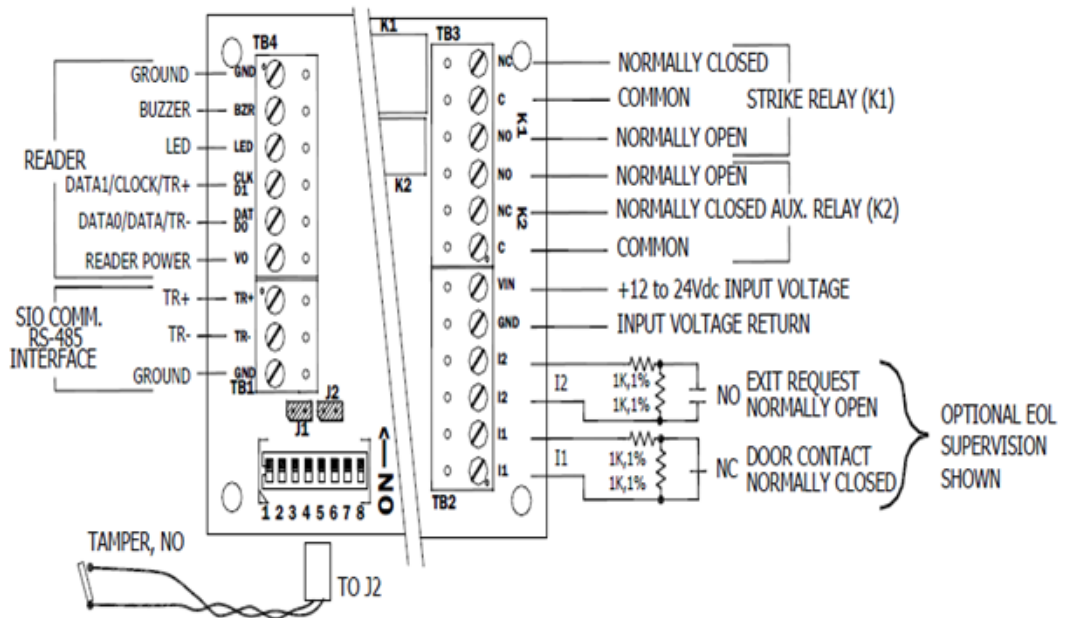
The PW7K1R1 reader interface provides a solution to the OEM system integrator for interfacing to a TTL (D1/D0, Clock/Data), F/2F or RS-485 device, and door hardware. It also provides a tri-stated LED control and buzzer control. Two Form-C contact relay outputs may be used for strike control or alarm signaling. Two inputs are provided that can be used for monitoring the door contact and request to exit push button. Input circuits can be configured as unsupervised or supervised. Communication to the controller is accomplished via a 2-wire RS-485 interface. The PW7K1R1 requires 12 to 24 Vdc for power.



# PW7K1R1 Hardware

The PW7K1R1 requires filtered 12 to 24 Vdc  $\pm$  10% for power. Two inputs are typically used for door contact and exit push button monitoring. End of line resistors are required input supervision, shown below.

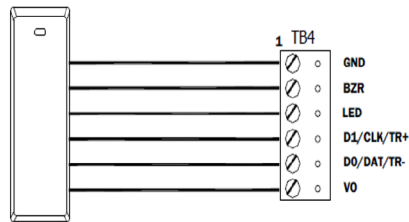
**Note:** The input power is passed through to the reader terminal strip and is available for powering a reader. Readers that require different voltage requirements must be powered separately. Care must be taken to insure that the input voltage is within the voltage range of the reader. The reader power output terminal, TB4-6 (VO), is not current limited



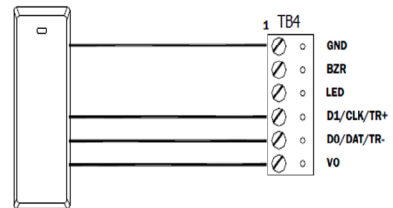
# Reader wiring

The reader port supports a reader with TTL (D1/D0, Clock/Data), F/2F, or 2-wire RS-485 signaling. \*\*Refer to the reader manufacture specifications for cabling requirements. In the 2-wire LED mode the buzzer output is used to drive the second LED. Reader port configuration is set via the host software. Do not terminate any RS-485 device connected to the reader port.

Typical D1/D0 or Clock/Data Reader



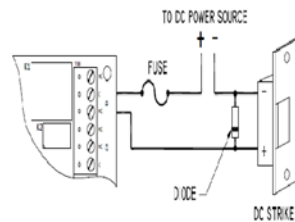
Typical RS-485 Device  
(OSDP Reader for Example)



**Caution: : D1 to LED on supervised F/2f readers**

## Door Strike Relay Wiring

The PW7K1R1 has two Form-C contact relays for controlling a door strike or other devices. See specifications section for the relay contact ratings. Load switching can cause abnormal contact wear and premature contact failure. Switching of inductive loads (strike) also causes EMI (electromagnetic interference) which may interfere with normal operation of other equipment. To minimize premature contact failure and to increase system reliability, use the contact protection circuit shown below. Recommend the following circuit. Locate the protection circuit as close to the load as possible (within 12 inches [30 cm]), as the effectiveness of the circuit will decrease if it is located far away.



Typical DC Door Strike Wiring

### Diode Selection:

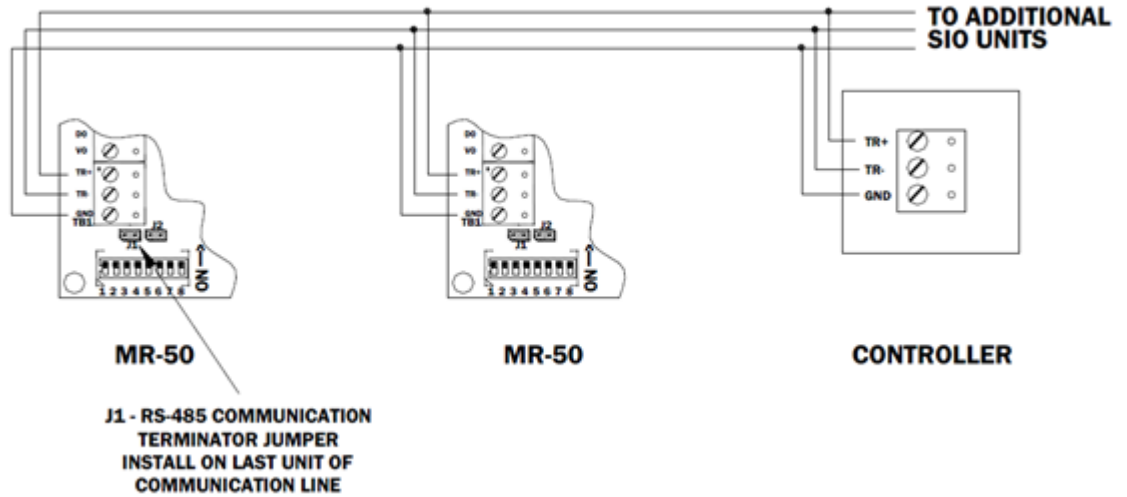
Diode current rating: 1x strike current  
Diode breakdown voltage: 4x strike voltage

For 12 Vdc or 24 Vdc strike, diode  
1N4002 (100V/1A) typical



# Communication Wiring

The PW7K1R1 communicates to a Honeywell Security intelligent controller (EP2500 for example) via a half-duplex multi-drop 2-wire RS-485 interface. The total cable length is limited to 4,000 feet (1,219 meters). Shielded cable of 24 AWG with characteristic impedance of 120 ohm is specified for the 2-wire RS-485 interface. The device on each end of the communication line should have the terminator installed (install jumper J1 of the PW7K1R1)



## Address Baud Rate and Encryption Configuration Switch

Switches 1 to 5 select the device address. Switch 6 and 7 select the communication baud rate. Switch 8 enables encrypted communication. All other configuration settings are set via host software.

S8	S7	S6	S5	S4	S3	S2	S1	SECTION
			OFF	OFF	OFF	OFF	OFF	Address 0
			OFF	OFF	OFF	OFF	ON	Address 1
			OFF	OFF	OFF	ON	OFF	Address 2
			OFF	OFF	OFF	ON	ON	Address 3
			OFF	OFF	ON	OFF	OFF	Address 4
			OFF	OFF	ON	OFF	ON	Address 5
			OFF	OFF	ON	ON	OFF	Address 6
			OFF	OFF	ON	ON	ON	Address 7
			OFF	ON	OFF	OFF	OFF	Address 8
			OFF	ON	OFF	OFF	ON	Address 9
			OFF	ON	OFF	ON	OFF	Address 10
			OFF	ON	OFF	ON	ON	Address 11
			OFF	ON	ON	OFF	OFF	Address 12
			OFF	ON	ON	OFF	ON	Address 13
			OFF	ON	ON	ON	OFF	Address 14
			OFF	ON	ON	ON	ON	Address 15
			ON	OFF	OFF	OFF	OFF	Address 16
			ON	OFF	OFF	OFF	ON	Address 17
			ON	OFF	OFF	ON	OFF	Address 18
			ON	OFF	OFF	ON	ON	Address 19
			ON	OFF	ON	OFF	OFF	Address 20
			ON	OFF	ON	OFF	ON	Address 21
			ON	OFF	ON	ON	OFF	Address 22
			ON	OFF	ON	ON	ON	Address 23
			ON	ON	OFF	OFF	OFF	Address 24

S8	S7	S6	S5	S4	S3	S2	S1	SECTION
			ON	ON	OFF	OFF	ON	Address 25
			ON	ON	OFF	ON	OFF	Address 26
			ON	ON	OFF	ON	ON	Address 27
			ON	ON	ON	OFF	OFF	Address 28
			ON	ON	ON	OFF	ON	Address 29
			ON	ON	ON	ON	OFF	Address 30
			ON	ON	ON	ON	ON	Address 31
	OFF	OFF						115,200 BPS
	OFF	ON						9,600 BPS
	ON	OFF						19,200 BPS
	ON	ON						38,400 BPS
OFF								Encrypted communication not required
ON								Encrypted communication required

## Status LEDs

### Power-up: All LED's OFF

### Initialization:

Once power is applied, initialization of the module begins

The D1 LED is turned ON at the beginning of initialization

### Run time:

After a successful initialization, the LEDs have the following meanings

### D1 LED:

Heartbeat and On-Line Status

### Off-line:

1 second rate, 20% ON, 80% OFF

## On-line:

Non-encrypted communication: 1 second rate, 80% ON, 20% OFF

## Encrypted communication:

.1 S ON,.1 S OFF,.1 S ON,.1 S OFF,.1 S ON,.1 S OFF,.1 sec ON,.3 S OFF

## D1 LED Error Indication:

Waiting for the downloaded of the application firmware:.1 S ON,.1 S OFF

## D2 LED: SIO Communication Port Status:

Indicates communication activity on the SIO communication port

# Specifications

### Revision E assembly

The Interface is for use in low voltage, class 2 circuits only

Primary Power	12 to 24 Vdc $\pm$ 10%, 150 mA maximum (plus reader current)
Outputs:	Two Form-C contact relays: K1: Normally open contact (NO) contact: 5 A @ 30 Vdc resistive Normally closed contact (NC) contact: 3 A @ 30 Vdc resistive K2: 1 A @ 30 Vdc resistive
Inputs:	Two unsupervised/supervised, standard EOL, 1k/1k ohm, 1%, ¼ watt One unsupervised, dedicated for cabinet tamper

### Reader Interface

Reader power	12 to 24 Vdc $\pm$ 10% (input voltage passed through)
Reader LED output: TTL compatible,	, high > 3 V, low < 0.5 V, 5 mA source/sink maximum
Buzzer output:	Open collector, 12 Vdc open circuit maximum, 40 mA sink maximum
Data Inputs	TTL compatible, F/2F or 2-wire RS-485
Communication:	2-wire RS-485: 9600, 19200, 38400 or 115200 bps

### Cable Requirements

Power:	1 twisted pair, 18 AWG
RS-485 I/O devices:	1 shielded twisted pair, 24 AWG, 120 ohm impedance, 4,000 ft. (1,219 m) maximum
Alarm Inputs:	1 twisted pair per input, 30 ohms maximum
Outputs:	As required for the load
Reader data (TTL):	6-conductor, 18 AWG, 500 ft. (150 m) maximum
Reader data (F/2F):	4-conductor, 18 AWG, 500 ft. (150 m) maximum

## Mechanical

Dimension:	4.25 in. (108 mm) W x 2.75 in. (70 mm) L x 1 in. (25.4 mm) H
Weight:	4 oz. (120 g) nominal

## Environment

Temperature:	-55 to +85 °C, storage, -40 to +75 °C, operating
Humidity:	5 to 95 % RHNC

## Warranty

Honeywell Security warrants the product is free from defects in material and workmanship under normal use and service with proper maintenance for one year from the date of factory shipment. Honeywell Security assumes no responsibility for products damaged by improper handling or installation. This warranty is limited to the repair or replacement of the defective unit.

There are no expressed warranties other than set forth herein. Honeywell Security does not make, nor intends, nor does it authorize any agent or representative to make any other warranties, or implied warranties, and expressly excludes and disclaims all implied warranties of merchantability or fitness for a particular purpose.

Returns must be accompanied by a Return Material Authorization (RMA) number obtained from customer service, and prepaid postage and insurance.

## Liability

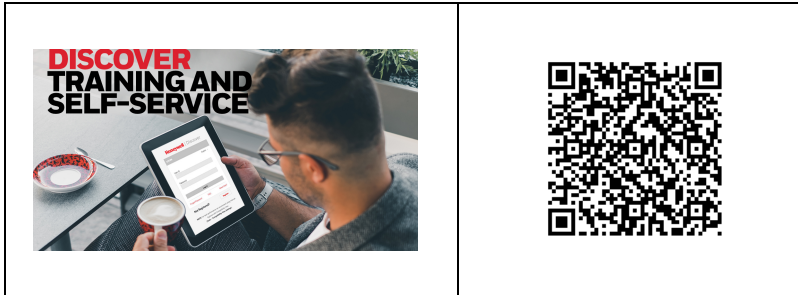
The Interface should only be used to control exits from areas where an alternative method for exit is available. This product is not intended for, nor is rated for operation in life-critical control applications. Honeywell Security is not liable under any circumstances for loss or damage caused by or partially caused by the misapplication or malfunction of the product. Honeywell Security's liability does not extend beyond the purchase price of the product.

(This page is intentionally left blank)

Discover | Customer Portal

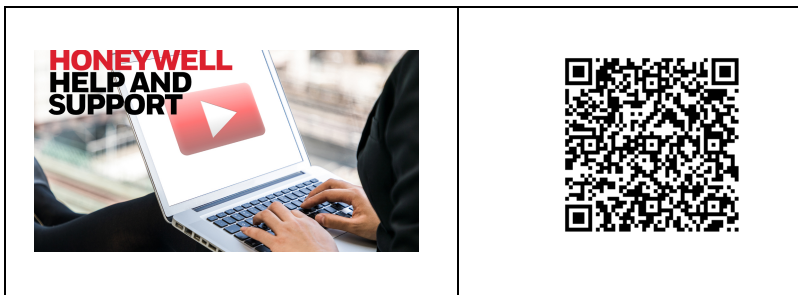
Self-Service Product Support and Learning Management System

<https://honeywelldiscovertraining.com/login/discover/default.asp>



YouTube | Honeywell Help and Support

[https://www.youtube.com/channel/UCBEL6ouNV\\_LN5IEpYRujMTg/featured](https://www.youtube.com/channel/UCBEL6ouNV_LN5IEpYRujMTg/featured)



Honeywell Integrated Security, 135 W. Forest Hill Avenue  
Oak Creek, WI 53154  
United States  
800-323-4576  
414-766-1798 Fax  
[www.security.honeywell.com](http://www.security.honeywell.com)

# Honeywell

---

**THE  
FUTURE  
IS  
WHAT  
WE  
MAKE IT**

Document 800-26499  
11/2020



## Free Manuals Download Website

<http://myh66.com>

<http://usermanuals.us>

<http://www.somanuals.com>

<http://www.4manuals.cc>

<http://www.manual-lib.com>

<http://www.404manual.com>

<http://www.luxmanual.com>

<http://aubethermostatmanual.com>

Golf course search by state

<http://golfingnear.com>

Email search by domain

<http://emailbydomain.com>

Auto manuals search

<http://auto.somanuals.com>

TV manuals search

<http://tv.somanuals.com>