



# CT40 Series

---

powered by Android™

## Quick Start Guide

## Out of the Box

Make sure that your shipping box contains these items:

- Mobile Computer  
Model CT40-LON, CT40-L1N, CT40P-LON, or CT40P-L1N
- Rechargeable Li-ion battery (see page 7)
- Hand strap
- Product documentation

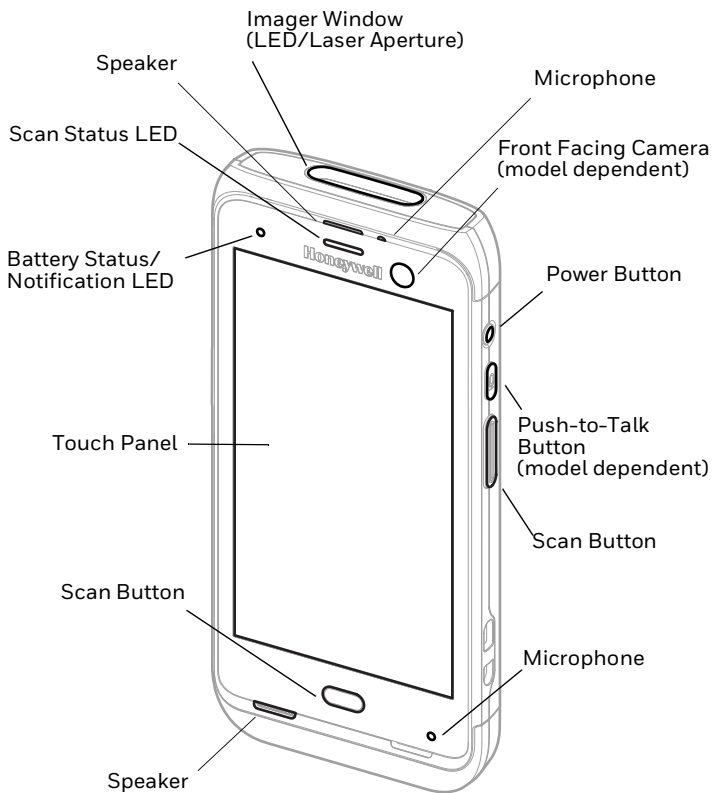
If you ordered accessories for your mobile computer, verify that they are also included with the order. Be sure to keep the original packaging in case you need to return the mobile computer for service.

**Note:** *CT40-LON/CT40P-LON models do not include a WWAN radio.*

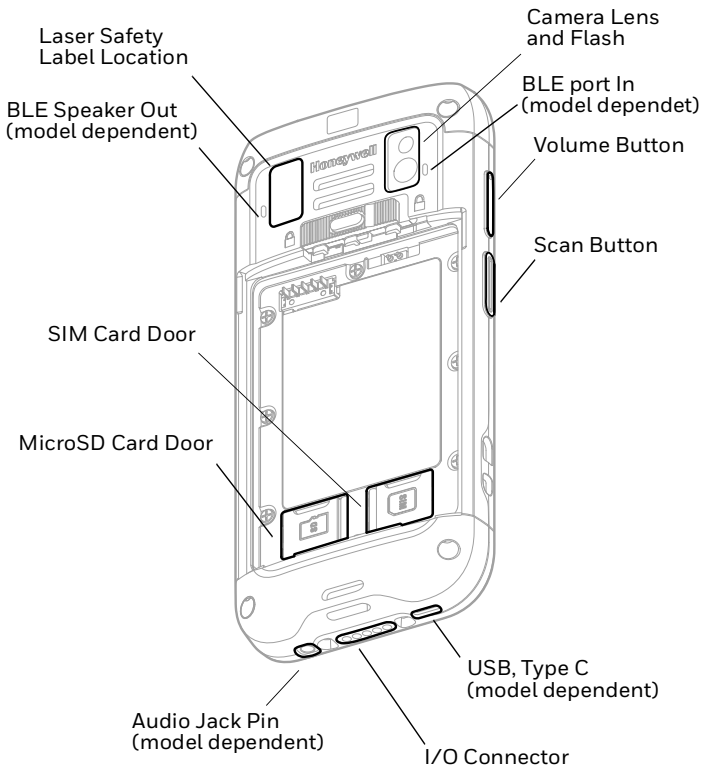
## Memory Card Specifications

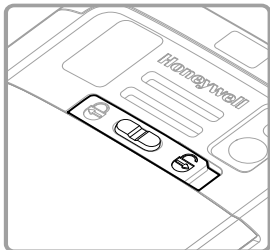
Honeywell recommends the use of Single Level Cell (SLC) industrial grade microSD™ or microSDHC™ memory cards with mobile computers for maximum performance and durability. Contact a Honeywell sales representative for additional information on qualified memory card options.

# Mobile Computer Features

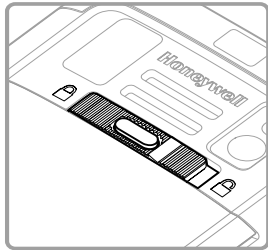


**Note:** Hand strap not shown.



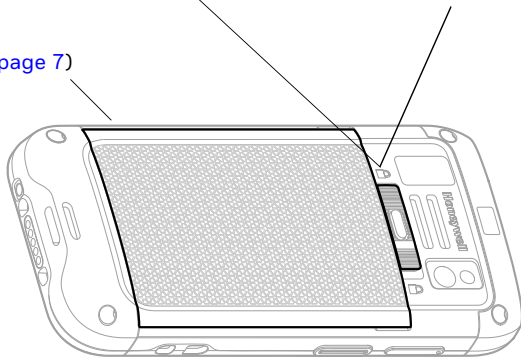


Battery Latch (Model  
CT40-xxx-xxxx0x)



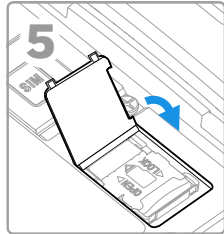
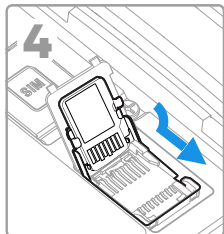
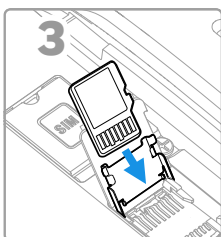
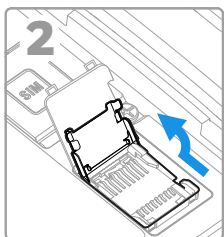
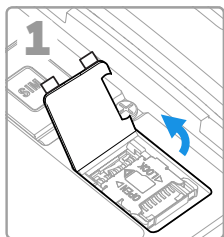
Battery Latch (Models  
CT40-L0N-xxxxxAx,  
CT40-xxx-xxxxxBx,  
CT40-xxx-xxxxxHx,  
CT40P-L0N-xxxxxAx,  
CT40P-xxx-xxxxxBx,  
CT40P-xxx-xxxxxHx)

Battery  
(Refer to [page 7](#))



## Install a microSD Card (Optional)

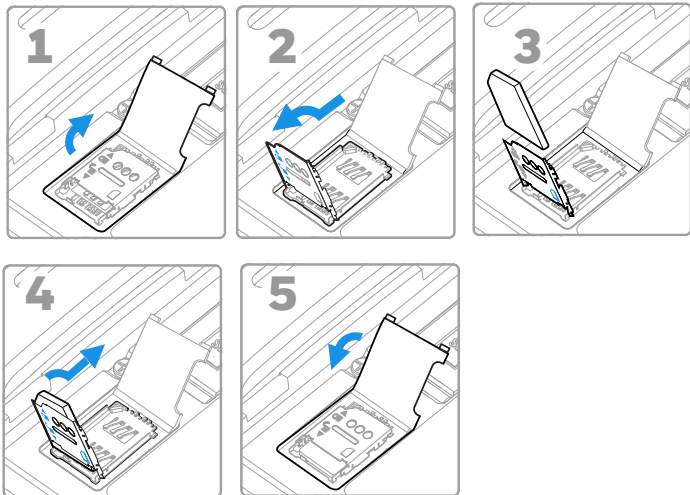
**Note:** Format the microSD card before initial use.



**Note:** Always power off the computer before attempting to install or remove a card.

## Install a microSIM Card

**Note:** Phone feature is only available on CT40-L1N/CT40P-L1N models. On all models, the SIM slot supports use of a UICC card for NFC Secure Element NFC link encryption.



**Note:** Always power off the computer before attempting to install or remove a card.

## About the Battery

The mobile computer ships with a Li-ion battery manufactured for Honeywell International Inc.

Model Configuration	Battery P/N	Power
CT40-xxx-xxxxx0x	318-005-011	3.8 VDC, 15.5 watt-hour
CT40-xxx-xxxxxHx	318-055-017	3.8 VDC, 15.5 watt-hour
CT40-LON-xxxxxAx	318-055-015	3.85 VDC, 15.5 watt-hour
CT40-xxx-xxxxxBx		
CT40P-xxx-xxxxxHx	TBD	3.85 VDC, 15.5 watt-hour
CT40P-LON-xxxxxAx	318-055-067	3.85 VDC, 15.5 watt-hour
CT40P-xxx-xxxxxBx		

Configuration number (CN) is located on the label in the battery well of the mobile computer.



**We recommend use of Honeywell Li-ion battery packs. Use of any non-Honeywell battery may result in damage not covered by the warranty.**

**Nous recommandons l'utilisation de batteries Li-ion de la marque Honeywell. L'utilisation d'une batterie d'un autre fabricant est susceptible de provoquer des dommages non couverts par la garantie.**

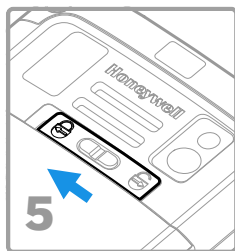
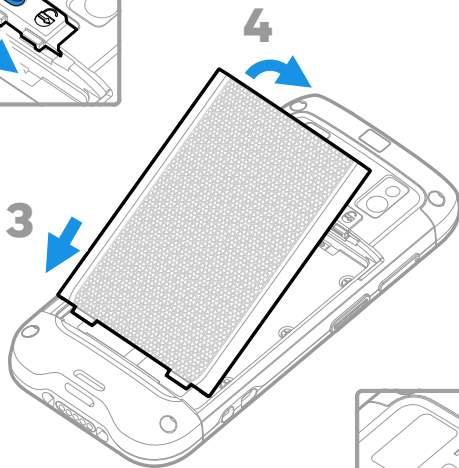
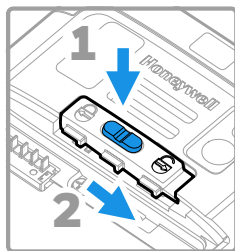


**Ensure all components are dry prior to placing the battery in the computer. Mating wet components may cause damage not covered by the warranty.**

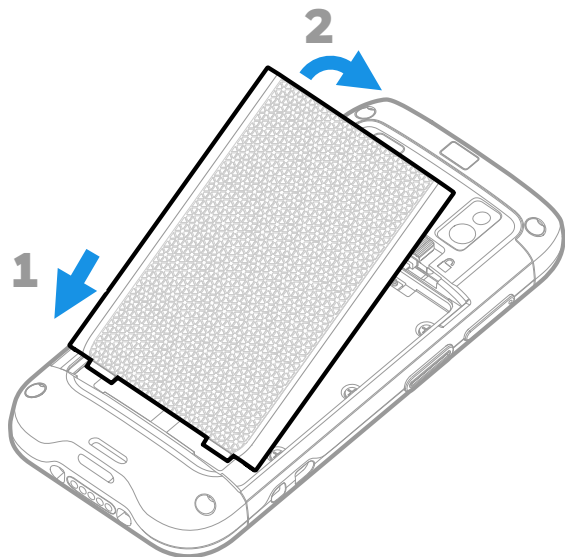
**Assurez-vous que tous les composants sont secs avant d'insérer la batterie dans l'ordinateur. L'insertion de composants humides risque de provoquer des dommages non couverts par la garantie.**



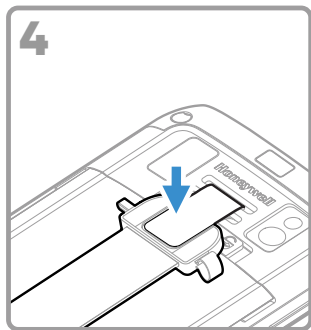
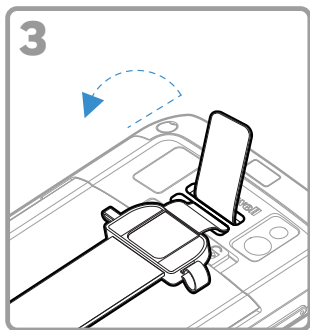
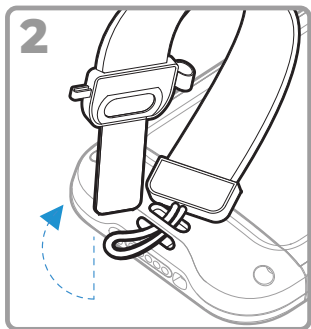
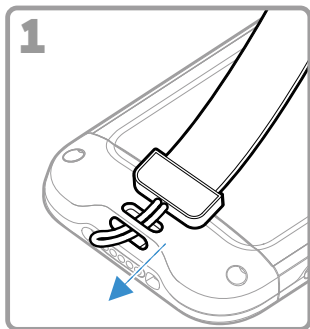
## Install Battery (Model CT40-xxx-xxxxx0x)



**Install Battery (Models CT40-LON-xxxxxAx,  
CT40-xxx-xxxxxBx, CT40-xxx-xxxxxHx,  
CT40P-LON-xxxxxAx, CT40P-xxx-xxxxxBx,  
CT40P-xxx-xxxxxHx)**



## Install the Hand Strap



## Charge the Mobile Computer

The mobile computer ships with a partially charged battery. Charge the battery with a CT40 series charging device for a minimum of **4 hours**. Using the computer while charging the battery increases the time required to reach a full charge.



**We recommend the use of Honeywell accessories and power adapters. Use of any non-Honeywell accessories or power adapters may cause damage not covered by the warranty.**

**Nous recommandons d'utiliser des accessoires et des adaptateurs secteur de marque Honeywell. L'utilisation de tout accessoire ou adaptateur secteur d'une autre marque est susceptible de provoquer des dommages non couverts par la garantie.**

CT40 series mobile computers are designed for use with the following CT40 charging accessories: HomeBase, Ethernet HomeBase, ChargeBase, NetBase, Quad Battery Charger, Vehicle Power Adapter, Vehicle Dock, and USB Adapter.



**Ensure all components are dry prior to mating the computers and batteries with peripheral devices. Mating wet components may cause damage not covered by the warranty.**

**Assurez-vous que tous les composants sont secs avant de raccorder les ordinateurs et les batteries à des périphériques. L'insertion de composants humides risque de provoquer des dommages non couverts par la garantie.**

## Turn Power On/Off

The first time you power on the computer, a Welcome screen appears. You can either scan a configuration barcode or use the Wizard to manually set up the computer. Once setup is complete, the Welcome screen no longer appears on startup and Provisioning mode is automatically turned off (disabled).

To turn the computer on:

- Press and hold the **Power** button for approximately 3 seconds, and then release.

To turn the computer off:

1. Press and hold the **Power** button until the options menu appears.
2. Touch **Power Off**.

## Battery Replacement

Before removing the battery, always do one of the following:

- Power off the computer.
- Place the unit in Swap Battery mode (feature availability is model dependent).

## Swap Battery Mode


Swap Battery mode places the computer in a low power state so that the battery can be removed for a short time. This feature is not available on all models.

To activate Swap Battery mode:

1. Press and hold the **Power** button until the options menu appears.
2. Touch **Swap Battery** and follow the on-screen instructions.
3. Once you replace the battery, press the **Power** button.


## Sleep Mode

Sleep mode automatically turns the touch panel display off and locks the computer to save battery power when the computer is inactive for a programmed period of time.

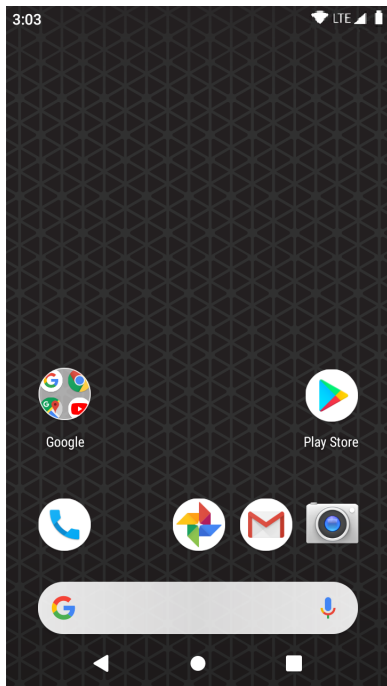
1. Press and release the **Power** button to wake the computer.
2. Drag the  toward the top of the display to unlock the computer.

## Adjust the Display Sleep Time

To adjust the amount of time before the display sleeps after inactivity:

1. Swipe up on the touch screen.
2. Select **Settings > Display > Advanced > Sleep**.
3. Select the amount of time before the display goes to sleep.
4. Touch  to return to the Home screen.

## About the Home Screen



Notification /  
Status Bar

Home Screen Panel






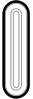


Favorites Tray

Search Bar

Navigation Buttons

To learn how to customize the Home screen, see the user guide.

## Navigation and Function Buttons

Button	Description	
	Back	Return to the previous screen.
	Home	Return to the Home screen.
	Recent Apps	View and switch between recently used apps.
	Scan	Touch the front (on-screen) Scan button to trigger the scanner.
	Volume	Press the top of the button to raise the speaker volume. Press the bottom of button to lower the speaker volume.
	Scan	Press left or right Scan button to trigger the scanner.
	Power	See page <a href="#">13</a> .
	Push-to-Talk	Push-to-Talk button is model dependent.

For button locations, see [Mobile Computer Features](#) on page 2.  
To learn more about how to re-map a button, see the user guide.



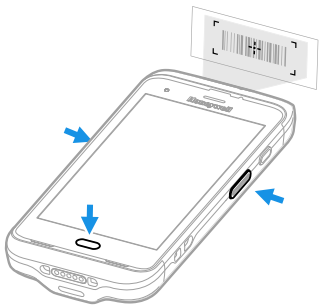
## About Provisioning Mode

After completing the out-of-box set up process, Provisioning mode is automatically turned off. Scanning a barcode to install applications, certificates, configuration files, and licenses on the computer is restricted unless you enable Provisioning mode in the Settings app. To learn more, see the user guide.

## Scan a Barcode with the Scan Demo

For optimum performance, avoid reflections by scanning the barcode at a slight angle.

1. Swipe up on the screen.
2. Select **Demos > Scan Demo**.
3. Point the computer at the barcode.
4. Touch **Scan** on the screen or press and hold any Scan button. Center the aiming beam over the barcode.



The decode results appear on the screen.

**Note:** *In the Scan Demo app, not all barcode symbologies are enabled by default. If a barcode does not scan, the correct symbology may not be enabled. To learn how to modify the default app settings, see the user guide.*

## Sync Data

To move files between your CT40 and a computer:

1. Connect the CT40 to your computer using a USB charge/communication accessory.
2. On the CT40, swipe down from the top of the screen to see the notifications panel.
3. Touch the Android System notification twice, to open the options menu.
4. Select either **File Transfer** or **PTP**.
5. Open the file browser on your computer.
6. Browse to the CT40. You can now copy, delete, and move files or folders between your computer and CT40 as you would with any other storage drive (e.g., cut and paste or drag and drop).

**Note:** *When Provisioning mode is turned off, some folders are hidden from view in the file browser.*

## Restart the Mobile Computer

You may need to restart the mobile computer to correct conditions where an application stops responding to the system or the computer seems to be locked up.

1. Press and hold the **Power** button until the options menu appears.
2. Select **Restart**.

To restart the computer if the touch panel display is unresponsive:

- Press and hold the **Power** button for approximately 8 seconds until the computer restarts.

**Note:** *To learn about advanced reset options, see the user guide.*

## Support

To search our knowledge base for a solution or log into the Technical Support Portal and report a problem, go to [www.hsmcontactsupport.com](http://www.hsmcontactsupport.com).

## Documentation

Product documentation is available at [www.honeywellaidc.com](http://www.honeywellaidc.com).

## Limited Warranty

For warranty information, go to [www.honeywellaidc.com](http://www.honeywellaidc.com) and click **Resources > Product Warranty**.

## Patents

For patent information, see [www.hsmpats.com](http://www.hsmpats.com).

## Trademarks

Android is a trademark of Google LLC.

## Disclaimer

Honeywell International Inc. (“HII”) reserves the right to make changes in specifications and other information contained in this document without prior notice, and the reader should in all cases consult HII to determine whether any such changes have been made. The information in this publication does not represent a commitment on the part of HII.

HII shall not be liable for technical or editorial errors or omissions contained herein; nor for incidental or consequential damages resulting from the furnishing, performance, or use of this material. HII disclaims all responsibility for the selection and use of software and/or hardware to achieve intended results.

This document contains proprietary information that is protected by copyright. All rights are reserved. No part of this document may be photocopied, reproduced, or translated into another language without the prior written consent of HII.

Copyright © 2018–2020 Honeywell International Inc. All rights reserved.

## Free Manuals Download Website

<http://myh66.com>

<http://usermanuals.us>

<http://www.somanuals.com>

<http://www.4manuals.cc>

<http://www.manual-lib.com>

<http://www.404manual.com>

<http://www.luxmanual.com>

<http://aubethermostatmanual.com>

Golf course search by state

<http://golfingnear.com>

Email search by domain

<http://emailbydomain.com>

Auto manuals search

<http://auto.somanuals.com>

TV manuals search

<http://tv.somanuals.com>