



# INSTALLATION INSTRUCTIONS

## 7616BR CRANK ARM ASSEMBLY

### APPLICATION

The 7616BR Crank Arm Assembly is used with M455, M845, M941, M944, M945, M7023, M7024, M7044, and M7045 Modutrol\* Motors which do not have crank arms. It also fits M204, M604, M634, M839, M904, M931, M934, M7034, and MR7006 Modutrol motors that come with (or without) grooves or tapped holes in the motor crankshaft. The push-on clip slips into the shaft grooves to retain the crank arm on the motor. To install the crank arm follow the instructions below.

### INSTALLATION

---

1. Install the crank arm on the shaft (Fig. 1).

Note: If motor doesn't have a grooved shaft, omit Steps 2 and 3 on page 2.

\*Trademark

Rev. 2-69

R. C.

Form Number **95-6733**

Residential Div.

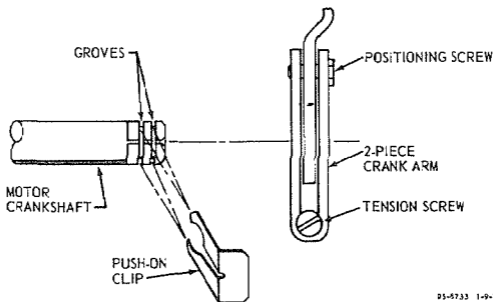
2. Insert the clip at A or B between the two pieces of the crank arm (Fig. 2). The positioning screw must be loose to give clearance.

3. Push the clip in until it snaps into a groove in the shaft.

4. Tighten the tension screw securely.

5. After tightening the positioning screw (see instructions for motor), be sure the crank arm is firmly installed on the shaft.

Avoid the incorrect position shown in Fig. 3, where the arm is not all the way on the shaft. When correct installation is made, the shaft end will be flush with, or projecting from the hole in the crank arm, and the crank arm will rest against the shoulder of the shaft.



95-5733 1-9-7

Fig. 1—Arrangements of parts. Clip to fit in either groove, as shown.

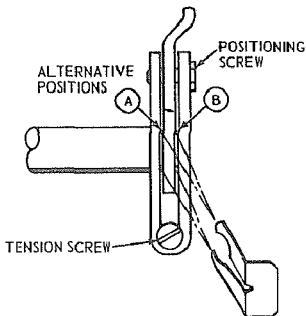


Fig. 2—Insertion of clip through slot in crank arm.

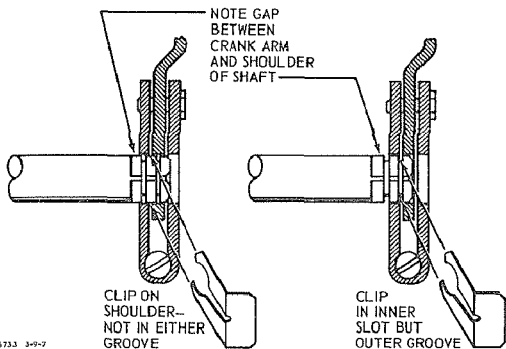


Fig. 3—Incorrect positions.

HONEYWELL



## Free Manuals Download Website

<http://myh66.com>

<http://usermanuals.us>

<http://www.somanuals.com>

<http://www.4manuals.cc>

<http://www.manual-lib.com>

<http://www.404manual.com>

<http://www.luxmanual.com>

<http://aubethermostatmanual.com>

Golf course search by state

<http://golfingnear.com>

Email search by domain

<http://emailbydomain.com>

Auto manuals search

<http://auto.somanuals.com>

TV manuals search

<http://tv.somanuals.com>