

## User Guide



## STEEL KEY CABINET

Model 6107

Read this User Guide carefully and never store it inside the Key Cabinet!

## WELCOME

Your new Honeywell Steel Key Cabinet will provide years of secure key organization. All Honeywell Key Cabinets are designed and built using the highest manufacturing standards to ensure maximum user satisfaction under a variety of conditions.

Thank you and enjoy!

## PACKAGE CONTENTS

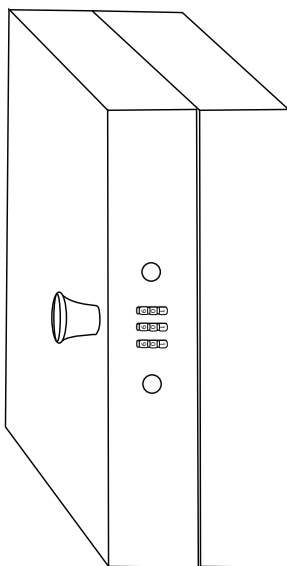
The following list outlines the items and quantities of each included with your new Key Cabinet. Please carefully check the list to confirm all items have been received. If any items are missing, please contact Consumer Assistance (See page 5 for contact information).

**Steel Key Cabinet (1 ea.)**

**User Guide (1 ea.)**

**Key Tags and Rings (40 ea.)**

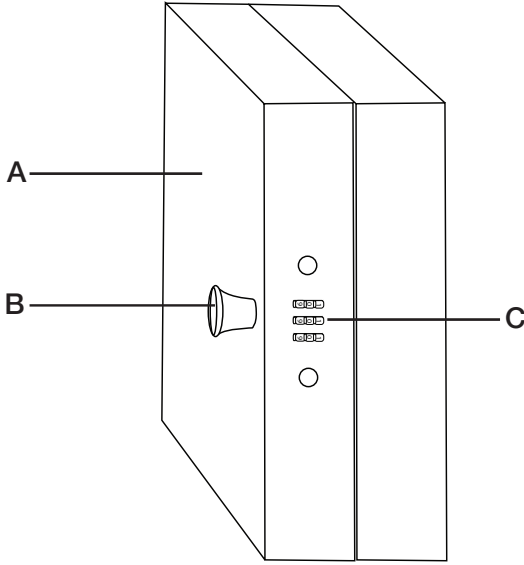
**Mounting Hardware Kit (1 ea.)**



## Attention: DO NOT RETURN KEY CABINET TO STORE

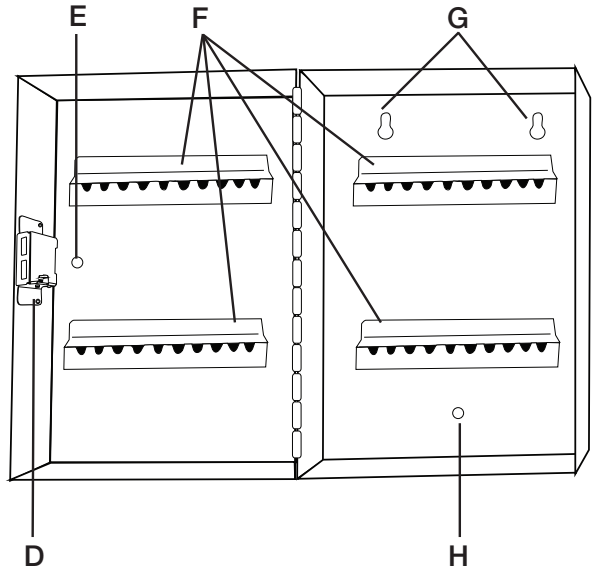
If you are missing parts or have difficulty operating your Key Cabinet please contact our Consumer Assistance Department by telephone. (See page 5 for contact information).

# PRODUCT OVERVIEW



## KEY CABINET EXTERIOR

- A - Key Cabinet Body
- B - Pull Handle
- C - 3 Wheel Combination Dial



## KEY CABINET INTERIOR

- D - Combination Dial Housing
- E - Pull Handle Mounting Hole
- F - Hanging Key Racks
- G - 2 Upper Mounting Holes
- H - 1 Lower Mounting Hole

## BEFORE USE

**IMPORTANT** - For your convenience, there are 3 pre-drilled mounting holes and hardware included to mount on a wall for added security. If you have additional questions about mounting the Key Cabinet, please check with your local home center/hardware retailer or independent contractor.

## TESTING AND REPROGRAMMING COMBINATION LOCK

**IMPORTANT** - For added security, it is recommended to immediately program a new personal combination to replace the factory set combination. Open the Key Cabinet by turning the dials to the factory set combination "0-0-0". The 3 digits need to be in the same horizontal level. Then lay the Key Cabinet flat and follow steps below to change the factory combination to your own personal combination.

### CHANGING THE COMBINATION:

1. Locate the back of the lock on the inside of the Key Cabinet and move the lever from position B to position A (Figure 1).
2. With the lever in the A position you may now reset the dial combination to three numbers of your choosing (Figure 2).
3. Return the Program Lever to position "B" to complete the programming function (Figure 3).
4. With the Key Cabinet still open, turn the numbers to a combination different from the new combination you have set (Figure 4).
5. The Key Cabinet should now be locked and can be re-opened by returning the dials to the new combination you had just set.
6. If you want to change to a new combination, repeat the steps 1 through 9 starting with the dial in the new combination position.

**IMPORTANT** - In order to change the combination, the Key Cabinet must be opened. It is important not to lose the combination as the Key Cabinet can not be opened without damaging the unit.

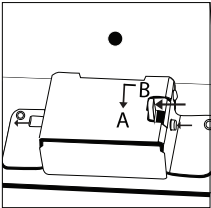


Figure 1

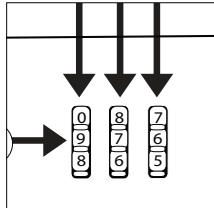


Figure 2

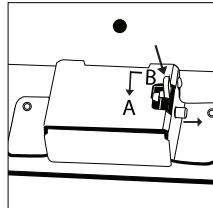


Figure 3

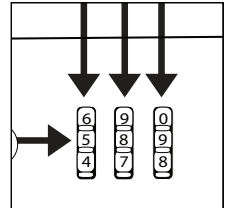


Figure 4

## ATTACHING PULL-HANDLE

1. Open the Key Cabinet (Figure 1).
2. Locate Pull Handle and mounting screw (Figure 2).
3. Insert screw through mounting hole screw the Pull Handle until firmly in place then tighten by using a Phillips screwdriver (Figure 3).
4. Close Key Cabinet and turn the numbers to a combination different from the new combination you have set to secure lock. (Figure 4).

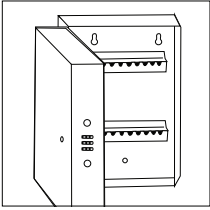


Figure 1

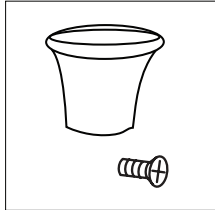


Figure 2

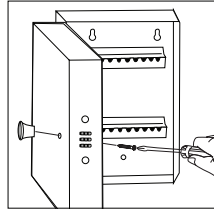


Figure 3

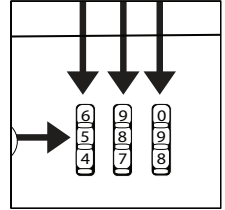


Figure 4

## KEY TAGS AND LABELS

1. For your convenience, the Key Cabinet includes 40 numbered hanging key tags (Figure 1).
2. Or if preferred, there are numbered stickers that can be adhered to the interior above each key (Figure 2).

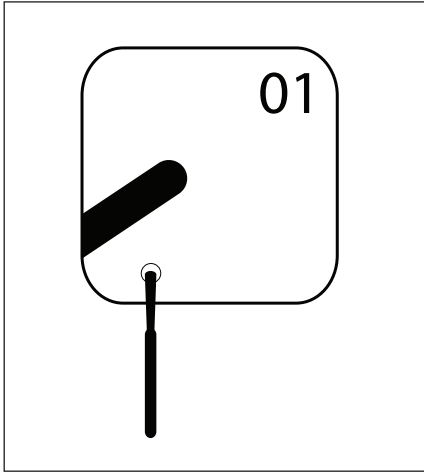


Figure 1

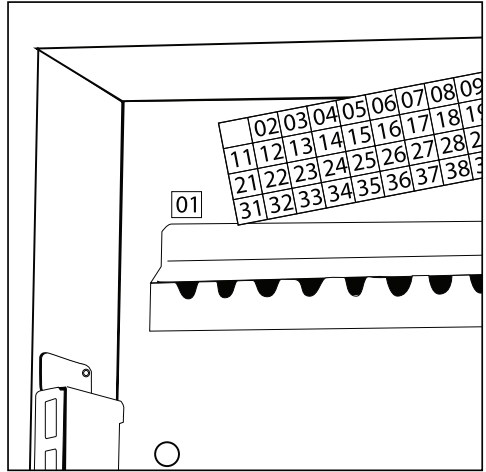


Figure 2

# CONSUMER ASSISTANCE

EMAIL: LHLPCustomerService@LHLPinc.com

WEBSITE: www.honeywellsafes.com

ADDRESS: Consumer Assistance Dept.

LH Licensed Products, Inc., 860 East Sandhill Avenue Carson, CA 90746 USA

TELEPHONE: US/Canada 1-877-354-5457 (Toll Free)

Mexico 01-800-288-2872 After English voice recording stops you must then enter 800-860-1677 to complete your call. (Toll Free)

Australia 0011-800-5325-7000 (Toll Free)

Germany/New Zealand 00-800-5325-7000 (Toll Free)

Other Countries XX\*-310-323-5722 (Toll Charges Apply)

XX\*- Dial U.S. Country Code first

CALL CENTER HOURS: US/Canada 7am – 5pm (PST\*\*) Mon – Fri (Subject to change)

CALL BACK HOURS: Other Countries 7am – 8pm (PST\*\*) Mon – Fri (Subject to change)

PST\*\*- Local time in Los Angeles, CA, USA

\* Insert correct Country Code

\*\* Local Time based on Los Angeles California USA

INTERNATIONAL CALL BACK HOURS:

If you need to speak with a consumer assistant and cannot contact us during the Call Center hours above, please send an email or leave a telephone message, including your Name, Telephone Number and the best time for us to contact you during the Call Back hours above and we will make every effort to contact you and help answer any of your questions or concerns.

# COMBINATION HISTORY LOG

— — —	— — —	— — —
— — —	— — —	— — —
— — —	— — —	— — —

# Limited Warranty

LH Licensed Products, Inc., (“LHLP, Inc.”) warrants that for a period of one (1) year from the date of purchase, this product will be free from structural or mechanical defects resulting from materials or workmanship. LHLP, Inc., at its sole option and as the purchaser’s sole remedy under this warranty, will repair or replace this product or any component of the product found to be defective during the warranty period. Replacement or repair will be made with a new or remanufactured product or component. If the product is no longer available, replacement may be made with a similar product of equal or greater value.

**THIS IS YOUR EXCLUSIVE WARRANTY.**

Our goods come with guarantees that cannot be excluded under the Australian Consumer Law. You are entitled to a replacement or refund for a major failure and for compensation for any other reasonably foreseeable loss or damage. You are also entitled to have the goods repaired or replaced if the goods fail to be of acceptable quality and the failure does not amount to a major failure.

This warranty is only valid for the original retail purchaser from the date of initial retail purchase and is not transferable. You must keep the original sales receipt. Proof of purchase is required to obtain warranty service.

LHLP, Inc. dealers, service centers, or retail stores selling this product do not have the right to alter, modify or in any way change the terms and conditions of this warranty.

This warranty does not apply to the finish on the product. This warranty does not cover normal wear and tear of parts or damage resulting from any of the following: negligent use or misuse of the product, use contrary to the operating instructions, disassembly, repair or alteration by anyone other than LHLP, Inc. or an authorized service center, improper installation, or exposure to extremes of heat or humidity. Further, the warranty does not cover Acts of God, such as fire, flood, earthquakes, hurricanes and tornadoes.

LHLP, Inc. shall not be liable for any incidental or consequential damages caused by the breach of any express or implied warranty or otherwise relating to the sale of this product. LHLP, Inc. is also not responsible for: costs associated with removing or installing the product; damage or loss of the contents of the product; nor for the unauthorized removal of the contents; or damages incurred during shipment.

**THE ABOVE WARRANTY IS IN LIEU OF ALL OTHER WARRANTIES, EXPRESS OR IMPLIED, INCLUDING ANY WARRANTIES OF MERCHANTABILITY OR FITNESS FOR A PARTICULAR PURPOSE, AND LHLP, INC. DISCLAIMS ANY AND ALL OTHER COVENANTS AND WARRANTIES.**

Except to the extent prohibited by applicable law, any implied warranty of merchantability or fitness for a particular purpose is limited in duration to the duration of the above warranty period. Some states, provinces or jurisdictions do not allow the exclusion or limitation of incidental or consequential damages or limitations on how long an implied warranty lasts, so the above limitations or exclusion may not apply to you. This warranty gives you specific legal rights, and you may also have other rights that vary from state to state, or province to province, or jurisdiction to jurisdiction.



Manufactured by:  
LH Licensed Products, Inc.  
860 East Sandhill Avenue  
Carson, CA 90746

The Honeywell Trademark is used under license from Honeywell International Inc. Honeywell International Inc. makes no representations or warranties with respect to this product.



## Free Manuals Download Website

<http://myh66.com>

<http://usermanuals.us>

<http://www.somanuals.com>

<http://www.4manuals.cc>

<http://www.manual-lib.com>

<http://www.404manual.com>

<http://www.luxmanual.com>

<http://aubethermostatmanual.com>

Golf course search by state

<http://golfingnear.com>

Email search by domain

<http://emailbydomain.com>

Auto manuals search

<http://auto.somanuals.com>

TV manuals search

<http://tv.somanuals.com>