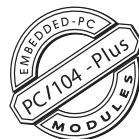


# PCM-3620 PC/104-Plus USB and IEEE 1394 Module



## Startup Manual

### Introduction

The PCM-3620 is a USB2.0 and IEEE1394 interface-module that attaches to the PC/104-plus connector on your CPU card or PC/104-plus CPU module

The PCM-3620 provides 480Mbps USB2.0 and 400Mbps IEEE 1394 high speed I/O capability, and is fully compliant with USB2.0 and IEEE1394 specifications. The module includes 4 USB 2.0 port and 3 IEEE 1394 a port. The PCM 3620, with its NEC uPD720101 and TI TSB43AB23 chipset, brings the latest USB, IEEE1394 performance features to Advantech's PC/104 line

### Packing list

Before you begin installing your card, please make sure that the following materials have been shipped:

- 1 4 ports USB Cable (PCM-3620P-00A1 only)
- 1 3 ports IEEE1394 cable (PCM-3620P-00A1 only)

### Features

PCM-3620 PC/104-Plus USB and IEEE1394 Module

- 4 USB 2.0 Compliant Port, up to 480 Mbps transactions
- USB EHCI 1.0 and PHCI 1.0a compatible
- 3 IEEE1394a Compliant Port, up to 400 Mbps
- IEEE 1394a OHCI 1.1 Compliant

### Specifications

- Chipset: NEC uPD720101 and TI TSB43AB23

#### USB

- 4 USB 2.0 Compliant Ports
- Compliant with OHCI USB Rev 1.0a
- Compliant with EHCI for USB Rev 1.0
- High-speed (480Mbps),full-speed (12Mbps)and low-speed (1.5Mbps) transactions

#### IEEE 1394a

- 3 port compliant with 1394 Open Host
- Controller Interface Specification (Release 1.1)
- Power Requirement +5 V , +12 V
- Temperature 0 ~ 60° C (32~140° F),
- operation, -20~80° C , operation (optional)
- Operating Humidity 0% ~ 90% relative humidity, noncondensing
- Size/Weight 96 x 90 mm/0.81 kg(0.18b)

For more information on this and other Advantech products, please visit our website at:

<http://www.advantech.com>

<http://www.advantech.com/epc>

For technical support and service, please visit our support website at:

<http://service.advantech.com/support>

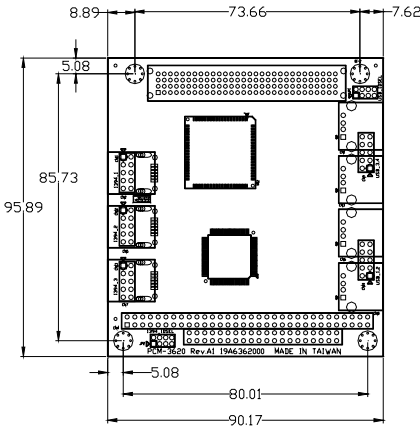
This manual is for the PCM-3620

Part No. 2006362000

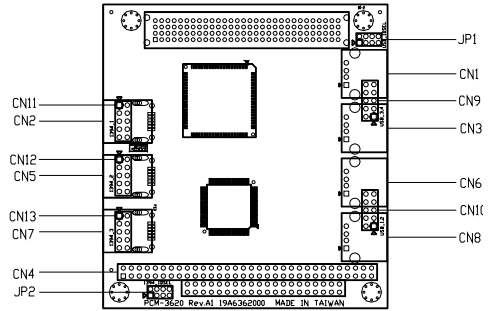
1st Edition  
August 2004

# Mechanical Drawings

## Board Dimensions



## Locating Connectors and Jumpers



## Jumpers & Connectors

The board has a number of jumpers and connectors that allow you to configure your system to suit your application.

The tables below list the function of each jumper and connector.

### Jumpers

Label	Function
JP1	USB PCI ID Select
JP2	1394 PCI ID Select

J1	USB PCI ID Select
Close pins	Result
1-2	ID-SELECT0
3-4	ID-SELECT1
5-6	ID-SELECT2
7-8	ID-SELECT3

J2	1394 PCI ID Select
Close pins	Result
1-2	ID-SELECT0
3-4	ID-SELECT1
5-6	ID-SELECT2
7-8	ID-SELECT3

### Connectors

Label	Function
CN1	1394-connector1
CN2	1394-connector1
CN3	1394-connector2
CN5	1394-connector2
CN6	1394-connector3
CN7	1394-connector3
CN8	1394-connector4
CN9	USB port 3,4connector(Pin Header)
CN10	USB port 1,2connector(Pin Header)
CN11	1394-connector1(Pin Header)
CN12	1394-connector2(Pin Header)
CN13	1394-connector3(Pin Header)

## Free Manuals Download Website

<http://myh66.com>

<http://usermanuals.us>

<http://www.somanuals.com>

<http://www.4manuals.cc>

<http://www.manual-lib.com>

<http://www.404manual.com>

<http://www.luxmanual.com>

<http://aubethermostatmanual.com>

Golf course search by state

<http://golfingnear.com>

Email search by domain

<http://emailbydomain.com>

Auto manuals search

<http://auto.somanuals.com>

TV manuals search

<http://tv.somanuals.com>